

SP-330
SP-330D
SP-500
SP-500A

**OPERATOR'S
MANUAL**

- Pour français voir page 9
- Para ver el castellano vea la página 17

Submersible Sump Pumps



⚠ WARNING!

Read this Operator's Manual carefully before using this tool. Failure to understand and follow the contents of this manual may result in electrical shock, fire and/or serious personal injury.

RIDGID[®]

Table of Contents

Recording Form for Pump Serial Number	1
General Safety Information	
Work Area2
Electrical Safety2
Personal Safety2
Service3
Specific Safety Information	
Submersible Pump Safety3
Description and Specifications	
Description3
Specifications4
Performance Curve and Performance Chart4
Pump Installation	
Installation4-5
Testing5-6
Maintenance Instructions6
Suggested Part Replacement Schedule6
Service and Repair6
Troubleshooting7
Lifetime Warranty	Back Cover



SP-330, SP-330D, SP-500, & SP-500A Submersible Sump Pumps



SP-330, SP-330D, and SP-500, SP-500A Submersible Sump Pumps

Record Serial Number From Product Decal Below

Serial
No.

General Safety Information

Safety is a combination of common sense, staying alert and understanding how your sump pump works.

Safety Signal Words

⚠ DANGER means if the safety information is not followed someone **will** be seriously injured or killed.

⚠ WARNING means if safety information is not followed someone **could** be seriously injured or killed.

⚠ CAUTION means if safety information is not followed someone **may** be injured.

NOTICE indicates important information, that if not followed, may cause damage to the equipment or flooding.

⚠ WARNING Read and understand all instructions. Failure to follow all instructions listed below may result in fatal electric shock, fire, property damage, and/or serious personal injury.

SAVE THESE INSTRUCTIONS!

Work Area

⚠ DANGER

- Do not operate pump in explosive atmospheres, such as in the presence of flammable liquids, gases, or dust. Pump motors create sparks which may ignite the dust or fumes.
- Keep by-standers, children, and visitors away while installing pump. Distractions can result in mistakes.

Electrical Safety

⚠ WARNING



- This pump must be plugged into an outlet, properly installed, and grounded in accordance with all applicable codes and ordinances. Never remove the grounding prong or modify the plug in any way. Do not use any adapter plugs. Check with a qualified electrician if you are not sure the outlet is grounded. If the pump should electrically malfunction or break down, grounding provides a low resistance path to carry electricity away from the user.
- Electrical wiring must be performed by a qualified electrician. Improper wiring could result in fatal electrical shock.

- Do not abuse cord. Never use the cord to carry the pump or pull the plug from an outlet. Keep cord away from heat, oil, sharp edges, or moving parts. Replace damaged cords immediately. Damaged cords increase the risk of electrical shock.
- Pump must be plugged into an outlet receptacle that includes a Ground Fault Circuit Interrupter (GFCI). In the event of current leakage, a GFCI will trip, thus reducing the risk of serious injury or death from electrical shock.

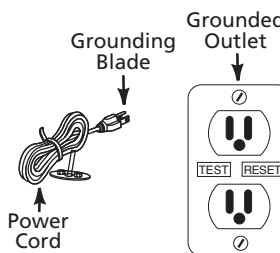


Figure 1

- Before using, test the Ground Fault Circuit Interrupter (GFCI) to insure it is operating correctly. A GFCI reduces the risk of electrical shock.
- Do not use an extension cord. This increases the risk of electrical shock. If necessary, install a properly grounded outlet closer to the pump.

Personal Safety

⚠ WARNING

- Stay alert, watch what you are doing, and use common sense when installing this pump. Do not attempt to install this pump while tired or under the influence of drugs, alcohol or medications. A moment of inattention may result in serious personal injury.
- Dress properly. Do not wear loose clothing or jewelry. Contain long hair. Keep your hair, clothing, and gloves away from moving parts. Loose clothes, jewelry, or long hair can be caught in moving parts.
- Do not overreach. Keep proper footing and balance at all times. Proper footing and balance enables better control in unexpected situations.
- Use safety equipment. Always wear eye protection. Dust mask, non-skid safety shoes and hard hat must be used for appropriate conditions.

Service

⚠WARNING

- **The motor is oil filled and sealed for cooler running. Allow 2 hours for the motor to cool before servicing.** Hot oil is under pressure and could result in severe burns.
- **Pump service must be performed only by qualified repair personnel.** Service or maintenance performed by unqualified repair personnel could result in injury and may void the warranty.
- **When servicing a pump, use only identical replacement parts. Follow instructions in the Maintenance Section of this manual.** Use of unauthorized parts or failure to follow maintenance instructions may create a risk of electrical shock or injury.

NOTE! Disassembly of the motor will void warranty.

Specific Safety Information

⚠WARNING

Risk of electric shock. This pump is supplied with a grounding-type plug. To reduce risk of electric shock be certain that it is connected only to a properly grounded, grounding-type receptacle that is protected by a GFCI.



For your own safety, before assembling and operating this unit, read this operators manual carefully and completely. Learn the operation, application, and potential hazards peculiar to this unit.

Call the Ridge Tool Company, Technical Services Department at (800) 519-3456 if you have any questions.

Submersible Pump Safety

⚠DANGER



- **Do not use to pump flammable or explosive fluids such as gasoline, fuel oil, kerosene, solvents, thinners etc. Do not use in a flammable and/or explosive atmosphere. Pump should only be used to pump clear water.** Improper use could result in personal injury and/or death.

⚠WARNING

- **If there is water or moisture on the floor or**

ground near the pump, do not walk on wet area until all power is turned off. If the shut-off box is in the basement, call an electrician. Failure to follow this warning could result in fatal electrical shock.

- **Always disconnect the power source before attempting to install, service, relocate, or maintain the pump. Never handle a pump or pump motor with wet hands or when standing on wet or damp surface or in water.** Failure to follow this warning could result in personal injury and/or death.
- **Pump motor is equipped with automatic resetting thermal protector that could restart unexpectedly.** Disconnect power source when servicing pump.
- **Do not modify float or position float switch so that pump will operate continuously.** Pump is not designed for continuous operation, this will reduce performance and life of the pump.
- **Do not hang pump by handle for permanent installation. This minimizes twisting which can lead to damage during pump operations.**

Description and Specifications

Description

The submersible pump is designed for home sump operations only. The unit is equipped with an 8 foot, 3-prong grounding type power cord. The motor has an automatic reset thermal protector to prevent burnouts due to overloading or clogging. A float activated switch provides automatic operation to maintain water level between factory preset points.

NOTICE

This pump is not designed to handle salt water, brine, laundry discharge, or any other application which may contain caustic chemicals and/or foreign materials. This pump is not suitable for use with aquatic life. Pump damage or failure could occur if used in these applications and will void the warranty.

NOTICE

It is strongly recommended that a battery back-up system be used. Power outages, excessive water flow, G.F.C.I. tripping and primary pump wear can cause flooding. A battery back-up system reduces this risk. Contact your Ridge Tool distributor.

Specifications

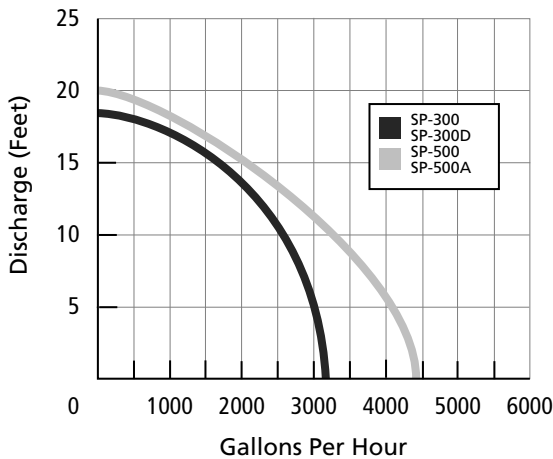
Motor:

- TypeShaded Pole
- Rating120V, Single Phase
- 1/3 HP, 9.5 Amps
- 1/2 HP, 10 Amps

Pump

- 1/3 HP3100 GPH @ 0 Ft.
- 1/2 HP4400 GPH @ 0 Ft.
- Liquid temperature range40F to 120F
- Cut in level.....9"
- Cut out level.....4"

Performance Curve



Performance Chart

Model	Discharge Head	0'	5'	10'	15'
SP-330	Gallons/Hour	3100	3000	2700	1680
SP-330D	Gallons/Hour	3100	3000	2700	1680
SP-500	Gallons/Hour	4400	4100	3200	2000
SP-500A	Gallons/Hour	4400	4100	3200	2000

Pump Installation

⚠ DANGER



- Pump should only be used to pump clear water. Do not use to pump fluids such as gasoline, fuel oil, or kerosene. Do not use in a flammable or explosive atmosphere. Improper use could result in personal injury and/or death.

⚠ WARNING

To prevent property damage, serious injury, or death, proper installation of the pump is required. The following procedures should be followed:

- Pump must be plugged into an outlet receptacle that includes a Ground Fault Circuit Interrupter (GFCI) (Figure 1).
- Always disconnect the power source before attempting to install, service, relocate, or maintain the pump. Never handle a pump or pump motor with wet hands or when standing on wet or damp surface or in water.

Installation

1. Construct a sump pit from concrete, steel, or plastic that is 24" deep and at least 11" in diameter (Figure 2 next page). If the sump already exists, make sure it is the proper size.
2. Make sure the electrical outlet is grounded and is rated for 115 volts and at least 15 amps. The outlet must be protected by a Ground Fault Circuit Interrupter (GFCI).

⚠ WARNING

Use of a grounded receptacle that is protected by a GFCI reduces risk of a fatal electrical shock.

3. Inspect the power cord and plug for damage. If the plug is missing the grounding prong or the cord is damaged, do not install the pump until the cord has been replaced.

(Model SP-330D Diaphragm Switch only)

4. Remove the two fasteners in the cast iron volute near the discharge area. Align the hole with the diaphragm switch and replace the fasteners without over tightening.

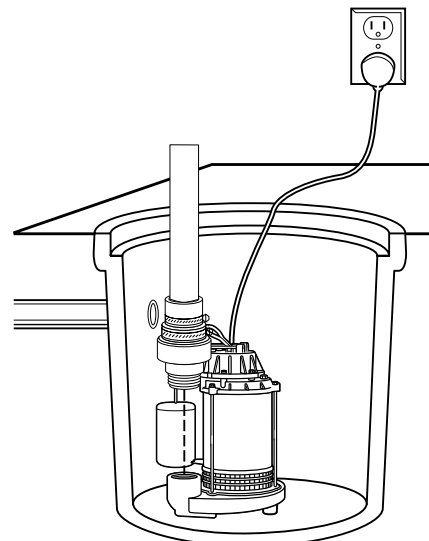


Figure 2 – Submersible Pump Installation

⚠ WARNING Never cut off grounding prong or use an adapter.

⚠ WARNING Support pump and piping when assembling and after installation. Failure to do so could cause piping to break or pump to fail, which could result in property damage and/or personal injury.

5. Set pump into sump. Locate the pump on a solid level surface.

NOTICE Do not place directly on clay, gravel, or any loose or sandy surfaces. These surfaces contain small stones or sand that may clog or damage the pump, which could result in pump failure causing flooding and property damage.

6. This pump has a 1-1/2" NPT discharge. If existing piping is 1-1/4" NPT, an adapter bushing (not included) may be used. Do not use piping that is less than 1-1/4" NPT. Piping that is too small will result in reduced output.

7. A check valve is required in the discharge line to prevent backflow when the pump shuts off. It is best to install the check-valve directly to the pump discharge. Thread a check valve into pump discharge.

NOTICE Be careful not to strip or cross-thread. Do not use pipe joint sealant.

NOTICE Flexible discharge hose is intended for temporary use only. Rigid PVC or metal pipe is required for a permanent installation. If flexible discharge hose is temporarily used, make sure pump is secured in sump pit to prevent movement. Failure to secure pump could allow pump movement and cause switch interference and prevent pump from starting or stopping. This could result in flooding and property damage.

IMPORTANT! Make sure there is adequate room for float switch to move freely during operation. A 1" minimum is required.

8. Connect 1-1/4" diameter rigid pipe to rubber boot on check valve (not included). Reverse boot for 1-1/2" diameter pipe. Tighten clamps.

9. Insert the pump cord plug directly into 115 volt grounded electrical outlet that is protected by Ground Fault Circuit Interrupter (GFCI) (Figure 1).

⚠ WARNING When routing electrical cord protect cord from sharp objects, hot surfaces, oils, and chemicals. Do not kink cord, replace any damaged cord immediately.

Flood Alarm Models (see figure 3)

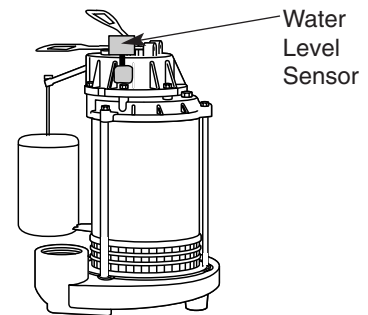


Figure 3- Water Sensor

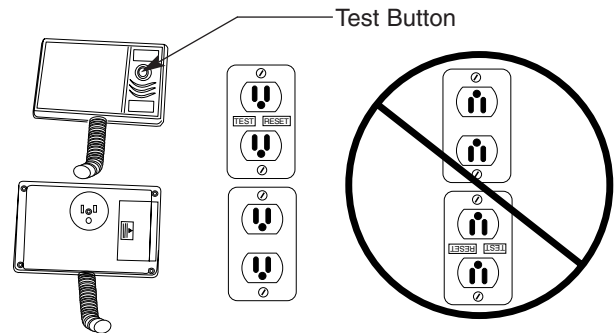


Figure 4 – Alarm models

Unit should be plugged into outlet as shown in figure 4. Do not plug alarm box in upside down. Doing so may cause the pump to unplug. If the outlet is upside down, have a qualified electrician reposition the outlet before installing the unit.

Testing

1. Fill sump pit with water.
2. While the pump is draining the pit, verify that the discharge piping is carrying the water to a point at least 15 feet away from the foundation.

NOTICE The outside piping must be tilted downward to drain. This helps prevent debris from entering the discharge pipe, and also prevents trapped water from freezing which can damage the pump.

3. Install sump pit cover (not included) to prevent debris from clogging or damaging the pump.

Flood Alarm Models

Testing Alarm-(see figure 4)

Press and hold test button until alarm sounds. If alarm does not activate after 3 seconds check and/or replace battery then repeat test.

Testing water level sensor-(see figure 3)

Alarm activates when water level raises the small white float. Test water level sensor operation by lifting it until alarm activates. A 3 to 5 second delay is normal.

Maintenance Instructions

▲WARNING

- **Always disconnect the electrical supply or unplug the pump before attempting to install, service, relocate, or perform any maintenance. If the power source is out of sight, lock and tag in the open (OFF) position to prevent unexpected power application. Failure to do so could result in fatal electrical shock. Only a qualified technician should repair this unit. Improper repair could result in fatal electrical shock.**

- **The motor is oil filled and sealed for cooler running. Allow 2 hours for motor to cool before servicing. Hot oil under pressure could result in severe burns.**

1. Check the operation of the Ground Fault Circuit Interrupter (GFCI) on a monthly basis.
2. Keep pump inlet clean and free of all foreign objects. Inspect at least once a year and clean sump as needed.
3. Check pump for proper operation monthly by filling sump with water until pump turns on.
4. Inspect all plumbing connections for any leaks or looseness monthly.

NOTE! Disassembly of the motor will void the warranty.

Suggested Part Replacement Schedule

Replace pump switch every 2 years. See page 7 for Ridgid cat. #.

Replace float every 2 years. See page 7 for Ridgid cat. #.

Service And Repair

▲WARNING

- Service and repair work on this pump must be performed by qualified repair personnel. Pump should be taken to a RIDGID Independent Authorized Service Center or returned to the factory. All repairs made by Ridge service facilities are warranted against defects in material and workmanship.
- When servicing this pump, only identical replacement parts should be used. Failure to follow these steps may create a risk of flooding, property damage, fatal electrical shock, or other serious injury and may also void your warranty.

If you have any questions regarding the service or repair of this machine, call or write to:

Ridge Tool Company
 Technical Service Department
 400 Clark Street
 Elyria, Ohio 44036-2023
 Tel: (800) 519-3456
 E-Mail: TechService@ridgid.com

For name and address of your nearest Independent Authorized Service Center, contact the Ridge Tool Company at (800) 519-3456 or <http://www.ridgid.com>

Troubleshooting

⚠WARNING

Let the pump cool for a minimum of two hours before servicing because the pump contains hot oil under pressure. Disconnect pump from power source before servicing.

TROUBLESHOOTING CHART

Symptom	Possible Cause(s)	Corrective Action
Pump will not start or run	<ol style="list-style-type: none"> Blown fuse or breaker Low line voltage Worn motor Worn switch Impeller not rotating Float obstruction 	<ol style="list-style-type: none"> If blown, replace with proper sized fuse or reset breaker. If voltage is under 108 volts, check wiring size. Replace motor or pump. Replace switch. If impeller will not turn, remove housing and remove blockage. Make sure float moves freely up and down.
Pumps start and stops too often	<ol style="list-style-type: none"> Backflow of water from piping Defective switch 	<ol style="list-style-type: none"> Install or replace check valve. Replace switch.
Pump will not shut off or thermal protector turns off	<ol style="list-style-type: none"> Defective switch Obstacle in piping Float obstructed 	<ol style="list-style-type: none"> Replace switch. Remove pump and clean pump and piping. Make sure float moves freely up and down.
Pump operates but delivers little or no water	<ol style="list-style-type: none"> Low line voltage Plugged impeller 	<ol style="list-style-type: none"> If voltage is under 108 volts, check wiring size. Clean out impeller.

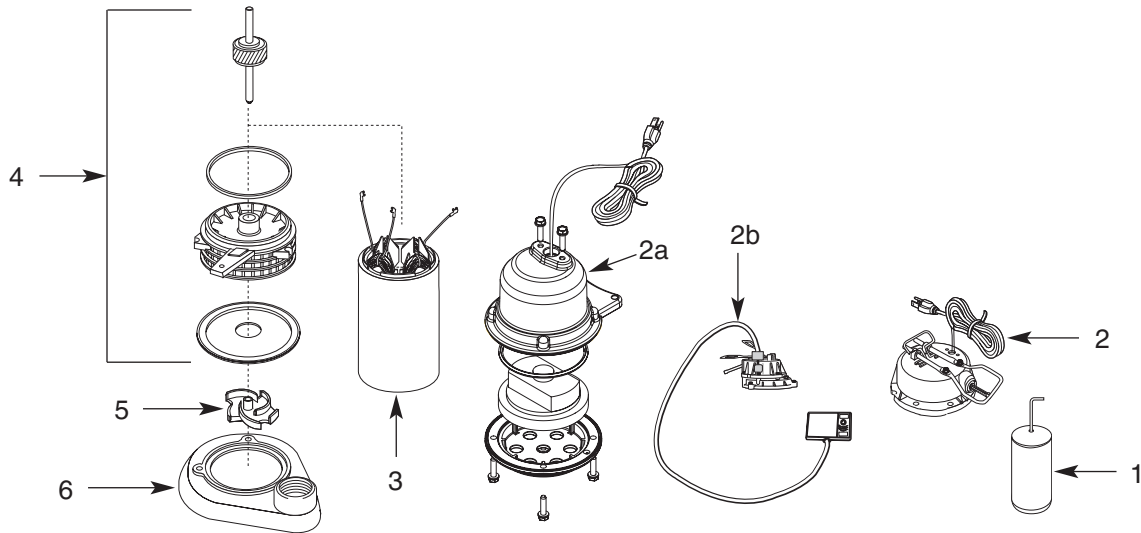


Figure	Description	RIDGID cat. # SP330	RIDGID cat. # SP330D	RIDGID cat. # SP500	RIDGID cat. # SP500A
1	Float Kit	88557	N/A	88557	88557
2	Switch/Top Assembly	88562	N/A	88562	N/A
2a	Top Assembly/diaphragm	N/A	88567	N/A	N/A
2b	Alarm top assembly/switch	N/A	N/A	N/A	88572
3	Stator	88577	88577	88582	88582
4	Lower Bracket/Rotor	88587	88587	88592	88592
5	Cast Iron Impeller	88597	88597	88597	88597
6	Cast Iron Volute	88602	90382	88602	88602



Pompes de puisard submersibles SP-330, SP-330D, SP-500, & SP-500A



Pompes de puisard submersibles SP-330, SP-330D et SP-500, SP-500A

Enregistrez le numéro de série de la décalcomanie du produit ci-après

No. de
série

Table des matières

Formulaire d'enregistrement du numéro de série de la pompe	9
Informations générales de sécurité	
Aire de travail	11
Sécurité électrique	11
Sécurité personnelle	11
Service	12
Information de sécurité spécifique	
Sécurité de pompe submersible	12
Description et spécifications	
Description	12
Spécifications	13
Courbe et tableau de performance	13
Installation de la pompe	
Installation	13-14
Test	14-15
Instructions d'entretien	15
Suggestions d'horaire de remplacement des pièces	15
Service et réparation	15
Dépannage	16
Garantie à vie	Couverture arrière

Informations générales de sécurité

La sécurité est un mélange de sens commun, vigilance et compréhension du fonctionnement de votre pompe de puisard.

Termes de sécurité

⚠ DANGER

signifie que si l'information de sécurité n'est pas respectée, une personne sera grièvement blessée ou tuée.

⚠ AVERTISSEMENT

signifie que si l'information de sécurité n'est pas respectée, une personne pourrait être grièvement blessée ou tuée.

⚠ ATTENTION

signifie que si l'information de sécurité n'est pas respectée, une personne pourrait être blessée.

AVIS

indique de l'information importante qui non respectée pourrait endommager l'équipement ou inonder.

⚠ AVERTISSEMENT

Lire et comprendre toutes les instructions. Le non-respect de toutes les instructions ci-après pourrait mener à un choc électrique mortel, un incendie, des dommages à la propriété et/ou de graves blessures.

CONSERVER CES INSTRUCTIONS !

Aire de travail

⚠ DANGER

- Ne faites pas fonctionner la pompe dans des atmosphères explosives telles qu'en présence de liquides, gaz ou poussière inflammables. Les moteurs de pompe créent des étincelles qui pourraient enflammer la poussière ou les fumées.
- Gardez les spectateurs, les enfants et les visiteurs loin en installant la pompe. Des distractions peuvent mener à des erreurs.

Sécurité électrique

⚠ AVERTISSEMENT



- Cette pompe doit être branchée dans une prise, installée correctement et mise à la terre conformément à tous les codes et ordonnances applicables. Ne retirez jamais la broche de masse et ne modifiez pas la fiche. N'utilisez pas de fiches d'adaptateur. Vérifiez auprès d'un électricien qualifié si vous n'êtes pas certain que la prise soit mise à la terre. Si la pompe à une défaillance électrique ou cesse de fonctionner, la masse offre une voie de faible résistance pour éloigner l'électricité de l'utilisateur.
- Le câblage électrique doit être effectué par un électricien qualifié. Tout mauvais câblage peut mener à un choc électrique mortel.

- N'abusez pas du cordon. Ne l'utilisez jamais pour transporter la pompe ou pour retirer la fiche de la prise. Gardez le cordon loin de la chaleur, de l'huile, bords tranchants ou pièces mobiles. Remplacez immédiatement les cordons endommagés car ils augmentent le risque de choc électrique.
- La pompe doit être branchée dans une prise qui inclut un disjoncteur différentiel (DD). Dans le cas de fuite de courant, un DD se déclenche réduisant ainsi le risque de blessure grave ou de mort suite à un choc électrique.

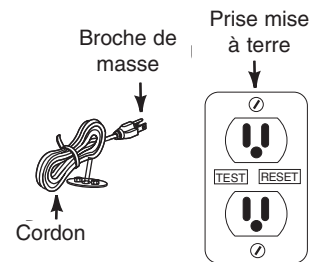


Figure 1

- Avant d'utiliser, testez le disjoncteur différentiel (DD) pour vous assurer qu'il fonctionne correctement. Un DD réduit le risque de choc électrique.
- N'utilisez pas de rallonge car cela augmente le risque de choc électrique. Si nécessaire, installez une prise à la terre plus près de la pompe.

Sécurité personnelle

⚠ AVERTISSEMENT

- Restez vigilant, regardez ce que vous faites et utilisez du sens commun en installant cette pompe. N'essayez pas de l'installer fatigué ou sous l'influence de drogues, d'alcool ou de médicaments. Un moment d'inattention peut provoquer de graves blessures.
- Habillez-vous correctement. Ne portez pas de vêtements amples ni de bijoux. Attachez les cheveux longs. Gardez les cheveux, vêtements et gants loin des pièces mobiles car ils peuvent se prendre dans les pièces mobiles.
- Ne vous penchez pas trop. Posez bien les pieds et assurez-vous de ne jamais perdre l'équilibre car cela vous permet de mieux contrôler les situations inattendues.
- Utilisez de l'équipement de sécurité. Portez toujours une protection oculaire. Utilisez des masques antipoussières, des souliers de sécurité antidérapants et un casque protecteur selon le cas.

Service

⚠ AVERTISSEMENT

- **Le moteur est rempli d'huile et scellé pour réduire l'échauffement. Attendez 2 heures pour que le moteur refroidisse avant tout entretien.** L'huile chaude est sous pression et pourrait brûler gravement.
- **L'entretien de la pompe doit être effectué seulement par un personnel d'entretien qualifié.** L'entretien et la réparation par une personne non qualifiée pourraient provoquer des blessures et annuler la garantie.
- **En faisant le service de la pompe, utilisez seulement des pièces de rechange identiques. Suivez les instructions sous la section d'entretien de ce manuel.** Utilisez des pièces non-autorisées ou le non-respect des instructions d'entretien peut causer un risque de choc électrique ou de blessure.

NOTE ! Démontez le moteur annulera la garantie.

Information de sécurité spécifique

⚠ AVERTISSEMENT

Risque de choc électrique.

Cette pompe est alimentée par une prise mise à la terre. Pour réduire les risques de choc électrique, assurez-vous qu'elle soit branchée seulement à une prise mise à la terre correctement protégée par un DD.



Pour votre propre sécurité, avant d'assembler et de faire fonctionner l'appareil, lisez attentivement et en entier ce manuel des opérations. Apprenez l'application d'opération et les dangers possibles de cet appareil-ci.

Appelez les services techniques de Ridge Tool Company au (800) 519-3456 si vous avez des questions.

Sécurité de la pompe submersible

⚠ DANGER



- **N'utilisez pas pour pomper des fluides inflammables ou explosifs tels qu'essence, fuel, kérosène, solvants, diluants, etc. N'utilisez pas dans une atmosphère inflammable et/ou explosive. La pompe doit seulement servir pour pomper de l'eau claire.** Une mauvaise utilisation peut mener à des blessures personnelles et/ou à la mort.

⚠ AVERTISSEMENT

- **S'il y a de l'eau ou de l'humidité sur le sol ou sur le plancher près de la pompe, ne marchez pas dessus avant de couper le courant. Si la boîte d'arrêt est**

dans le sous-sol, appelez un électricien. Le non-respect de cet avertissement pourrait mener à un choc électrique mortel.

- **Coupez toujours la source de courant avant d'essayer d'installer, de réparer, de replacer ou de faire l'entretien de la pompe. Ne manipulez jamais une pompe ou son moteur avec les mains mouillées ou debout sur une surface mouillée ou humide ou dans l'eau.** Le non-respect de cet avertissement pourrait mener à une blessure et/ou à la mort.
- **Le moteur de la pompe est doté d'un protecteur thermique à réinitialisation automatique qui pourrait redémarrer inopinément.** Coupez toujours le courant en réparant la pompe.
- **Ne modifiez pas le flotteur ni l'interrupteur de position du flotteur pour que la pompe fonctionne continuellement.** La pompe n'est pas conçue pour fonctionner continuellement et ceci réduira sa performance et sa durée de vie.
- **Ne suspendez pas la pompe par la poignée pour une installation permanente. Ceci minimise la torsion ce qui pourrait provoquer des dommages lorsque la pompe fonctionne.**

Description et Spécifications

Description

La pompe submersible est conçue pour les opérations de décantation résidentielle seulement. L'appareil est doté d'un cordon mis à la terre à 3 broches de 8 pieds (2,4 m). Le moteur a un protecteur thermique de réinitialisation automatique pour prévenir les grillages suite à des surcharges ou des blocages. Un interrupteur activé par flotteur fournit une opération automatique pour conserver le niveau d'eau entre les points préétablis en usine.

AVIS

Cette pompe n'est pas conçue pour traiter l'eau salée, la saumure, les refoulements de lavage ou toute autre application pouvant contenir des produits chimiques caustiques et/ou des matières étrangères. Cette pompe ne convient pas pour la vie aquatique. La pompe peut être endommagée ou manquer si utilisée pour ces applications et cela annulera la garantie.

AVIS

Il est fortement recommandé d'utiliser un système de secours de batterie. Les pannes de courant, le débit d'eau excessif, le déclenchement de DD et l'usure de la pompe primaire peuvent provoquer des inondations. Un système de secours réduit ce risque. Contactez votre distributeur Ridge Tool.

Spécifications

Moteur :

- Type Enroulement à courtterme
- Calibre Monophasé 120V
- 1/3 HP, 9,5 A
- 1/2 HP, 10 A

Pompe

- 1/3 HP 3100 gal/h @ 0 pi
- 1/2 HP 4400 gal/h @ 0 pi
- Plage de température liquide... 40F à 120F
- Coupure de niveau d'encl.... 9 po
- Coupure de niveau de décl. . . 4 po

Courbe de performance

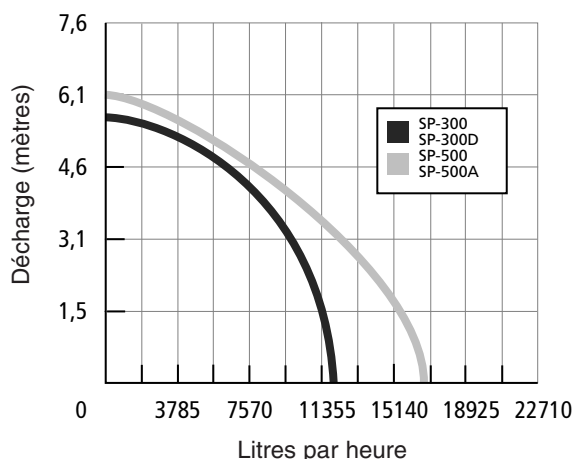


Tableau de performance

Modèle	Tête de décharge	0m	1,5m	3,1m	4,6m
SP-330	Litres/heure	11734	11355	10220	6359
SP-330D	Litres/heure	11734	11355	10220	6359
SP-500	Litres/heure	16654	15519	12112	7570
SP-500A	Litres/heure	16654	15519	12112	7570

Installation de la pompe

⚠ DANGER

- La pompe ne doit servir que pour pomper de l'eau claire. Ne l'utilisez pas pour des fluides tels qu'essence, fuel ou kérosène ni dans une atmosphère inflammable ou explosive. Toute mauvaise utilisation de la pompe pourrait causer des blessures et/ou la mort.



⚠ AVERTISSEMENT

Pour éviter les dommages à la propriété, les blessures graves ou la mort, il faut installer la pompe correctement et suivre ces procédures:

- La pompe doit être branchée dans une prise qui inclut un disjoncteur différentiel (DD) (Figure 1).
- Coupez toujours la source de courant avant d'essayer d'installer, de réparer, de replacer ou de faire l'entretien de la pompe. Ne manipulez jamais une pompe ou son moteur avec les mains mouillées ou debout sur une surface mouillée ou humide ou dans l'eau.

Installation

1. Construisez une fosse de puisard en béton, acier ou plastique d'une profondeur de 24 po (60,96 cm) et d'au moins 11 po (27,94 cm) de diamètre (Figure 2, page suivante). S'il y a déjà un puisard, assurez-vous qu'il soit de la bonne taille.
2. Assurez-vous que la prise électrique soit à la terre, de calibre de 115 volts, d'au moins 15A et protégée par un disjoncteur différentiel. (DD).

⚠ AVERTISSEMENT

L'utilisation d'une prise mise à la terre protégée par un DD réduit le risque de choc électrique mortel.

3. Inspectez le cordon d'alimentation et la prise pour tout signe de dommage. Si la prise n'a pas de broche de masse ou si le cordon est endommagé, n'installez pas la pompe avant de remplacer le cordon.

(Interrupteur à diaphragme Modèle SP-330D seulement)

4. Retirez les deux attaches dans la volute de fonte près de la zone de décharge. Alignez le trou avec l'interrupteur à diaphragme et remplacez les attaches sans trop resserrer.

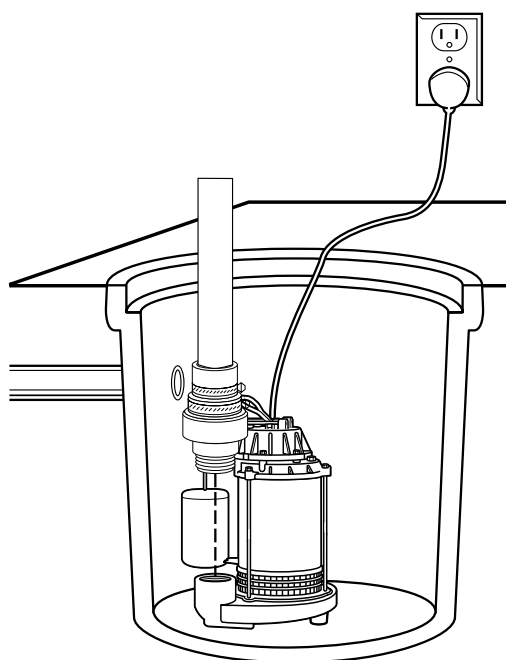


Figure 2 – L'installation de la pompe submersible

⚠ AVERTISSEMENT Ne coupez jamais la broche de masse et n'utilisez pas d'adaptateur.

⚠ AVERTISSEMENT Supportez la pompe et la tuyauterie en assemblant et après l'installation sinon les tuyaux peuvent casser ou la pompe ne pas fonctionner menant à des dommages à la propriété et/ou des blessures personnelles.

5. Posez la pompe dans le puisard sur une surface solide et à niveau.

AVIS Ne placez pas directement sur l'argile, le gravier ou toutes surfaces lâches ou sablonneuses car elles contiennent de petites roches ou du sable qui pourraient bloquer ou endommager la pompe provoquant une défaillance et donc une inondation et des dommages à la propriété.

6. La pompe a une décharge de 1-1/2 po (3,8 cm) NPT. S'il y a un tuyau de 1-1/4 po (3,17 cm) NPT, vous pouvez utiliser un raccordement d'adaptateur (non fourni). N'utilisez pas de tuyau de moins de 1-1/4 po (3,17 cm) NPT car les tuyaux trop petits auront une sortie réduite.
7. Il faut un clapet dans la ligne de décharge pour éviter tout retour à l'arrêt de la pompe. Il est préférable d'installer directement le clapet à la décharge. Enfoncez-le sur la décharge de pompe.

AVIS Attention de ne pas dénuder ou fausser le filetage. N'utilisez pas de mastic de jointement.

AVIS Le flexible de décharge doit être utilisé seulement temporairement. Il faut un tuyau de métal ou de PVC rigide pour une installation permanente. Si vous utilisez temporairement un flexible, assurez-vous que la pompe est bien installée dans la fosse du puisard pour éviter tout déplacement sinon cela pourrait créer une interférence d'interrupteur et empêcher la pompe de démarrer ou d'arrêter ce qui pourrait mener à des inondations et des dommages à la propriété.

IMPORTANT ! Assurez-vous qu'il y ait suffisamment d'espace pour que l'interrupteur à flotteur se déplace librement durant l'opération. Il faut au moins 1 po (2,54 cm).

8. Raccordez le tuyau rigide de 1-1/4 po (3,17 cm) de diamètre au manchon de caoutchouc du clapet (non fourni). Inversez le manchon pour les tuyaux de 1-1/2 po (3,8 cm) de diamètre. Resserrez les pinces.
9. Insérez la prise du cordon de la pompe directement dans une prise à la terre de 115 volts protégée par un disjoncteur différentiel (DD) (Figure 1).

⚠ AVERTISSEMENT En acheminant le cordon protégez-le des objets tranchants, surfaces chaudes, huiles et produits chimiques. Ne tordez pas le cordon, remplacez immédiatement tout cordon endommagé.

Modèles à alarme d'inondation (voir figure 3)

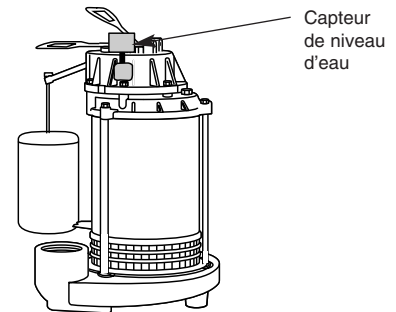


Figure 3- Capteur d'eau

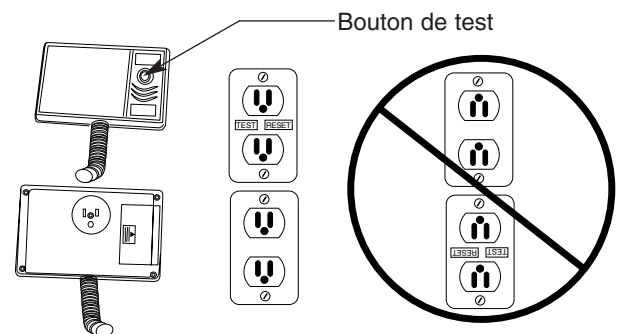


Figure 4 – Modèles à alarmes

L'appareil doit être branché dans une prise tel qu'illustré à la figure 4. Ne branchez pas la boîte d'alarme à l'envers car cela pourrait débrancher la pompe. Si la prise est inversée, demandez à un électricien qualifié de repositionner la prise avant d'installer l'unité.

Testing

1. Remplissez la fosse du puisard d'eau.
2. Tandis que la pompe vide la fosse, vérifiez que le tuyau de décharge transporte l'eau à un point au moins 15 pi (4,57 m) de la fondation.

AVIS La tuyauterie extérieure doit être penchée vers le bas pour drainer ce qui aide à empêcher les débris d'entrer dans le tuyau de décharge et aussi l'eau emprisonnée de geler ce qui pourrait endommager la pompe.

3. Installez le couvercle de fosse de puisard (non fourni) pour éviter que les débris bloquent ou endommagent la pompe.

Modèles à alarme d'inondation

Test de l'alarme - (voir la figure 4)

Appuyez et tenez le bouton de test jusqu'à ce que l'alarme sonne. Si elle ne le fait pas après 3 secondes, vérifiez et/ou remplacez la pile, puis reprenez le test.

Test du capteur de niveau d'eau - (voir la figure 3)

L'alarme s'active lorsque le niveau d'eau soulève le petit flotteur blanc. Testez le capteur de niveau d'eau en le soulevant jusqu'à ce que l'alarme sonne. Un délai de 3 à 5 secondes est normal.

Instructions d'entretien

⚠ AVERTISSEMENT

- **Coupez toujours le courant ou débranchez la pompe avant d'essayer d'installer, réparer, replacer ou entretenir l'appareil. Si la source de courant est hors de vue, verrouillez et étiquetez en position ouverte (OFF) pour éviter toute application imprévue de courant. Sinon, cela pourrait mener à un choc électrique mortel. Seul un technicien qualifié devrait réparer cet appareil. Toute mauvaise réparation peut mener à un choc électrique mortel.**
- **Le moteur est rempli d'huile et scellé pour réduire l'échauffement. Attendez 2 heures pour que le moteur refroidisse avant tout entretien. L'huile chaude est sous pression et pourrait brûler gravement.**

1. Vérifiez l'opération du disjoncteur différentiel (DD) chaque mois.
2. Gardez l'entrée de la pompe propre et sans objets étrangers. Inspectez au moins une fois l'an et nettoyez le puisard au besoin.
3. Vérifiez la pompe pour vous assurer de son bon fonctionnement chaque mois en remplissant le puisard d'eau jusqu'à ce que la pompe démarre.
4. Inspectez toutes les connexions de plomberie pour toutes fuites ou desserrement chaque mois.

NOTE ! Démontez le moteur annulera la garantie.

Suggestions d'horaire de remplacement des pièces

Remplacez l'interrupteur de la pompe tous les 2 ans. Voir la page 16 pour le no de cat.

Remplacez le flotteur aux 2 ans. Voir la page 16 pour le No. de cat. Ridgid.

Service et réparation

⚠ AVERTISSEMENT

- Le travail de service et réparation de cette pompe doit être effectué par un personnel qualifié. La pompe doit être apportée à un centre de service autorisé indépendant RIDGID ou retournée à l'usine. Toutes les réparations effectuées dans des installations de service Ridge sont garanties contre défauts de matériau et main d'oeuvre.
- En réparant cette pompe, seules des pièces de rechange identiques doivent être utilisées sinon cela pourrait créer un risque d'inondation, de dommages à la propriété, de choc électrique mortel ou d'autres blessures graves et annuler votre garantie.

Si vous avez des questions au sujet du service ou des réparations de cet appareil, appelez ou écrivez à :

Ridge Tool Company
 Technical Service Department
 400 Clark Street
 Elyria, Ohio 44036-2023
 Tél : (800) 519-3456
 Courriel : TechService@ridgid.com

Pour le nom et l'adresse de votre centre de service autorisé indépendant le plus près, contactez la Ridge Tool Company au (800) 519-3456 ou <http://www.ridgid.com>

Dépannage
⚠️ AVERTISSEMENT

Laissez refroidir la pompe pendant au moins deux heures avant toute réparation car la pompe contient de l'huile sous pression. Débranchez la pompe de la source de courant avant tout entretien.

TABLEAU DE DÉPANNAGE

Symptôme	Cause(s) possible(s)	Mesure corrective
Pompe ne démarre pas ou ne tourne pas	<ol style="list-style-type: none"> 1. Fusible ou disjoncteur grillé 2. Faible tension de ligne 3. Moteur usé 4. Interrupteur usé 5. Rotor ne tourne pas 6. Obstruction de flotteur 	<ol style="list-style-type: none"> 1. Si grillé, remplacez avec la bonne taille de fusible ou réinitialiser le disjoncteur. 2. Si la tension est sous 108 volts, vérifiez la taille des fils. 3. Remplacez le moteur ou la pompe. 4. Remplacez l'interrupteur. 5. Si le rotor ne tourne pas, retirez le boîtier et retirez le blocage. 6. Assurez-vous que le flotteur se déplace librement vers le haut et le bas.
Pompe démarre et s'arrête trop souvent	<ol style="list-style-type: none"> 1. Retour d'eau du tuyau 2. Interrupteur défectueux 	<ol style="list-style-type: none"> 1. Installez ou remplacez le clapet. 2. Remplacez l'interrupteur.
Pompe ne s'éteint pas ou le protecteur thermique s'arrête	<ol style="list-style-type: none"> 1. Interrupteur défectueux 2. Obstacle dans le tuyau 3. Flotteur obstrué 	<ol style="list-style-type: none"> 1. Remplacez l'interrupteur. 2. Retirez la pompe et nettoyez le pompe et les tuyaux. 3. Assurez-vous que le flotteur se déplace librement vers le haut et le bas.
Pompe fonctionne, mais livre peu ou aucune eau	<ol style="list-style-type: none"> 1. Faible tension de ligne 2. Rotor bloqué 	<ol style="list-style-type: none"> 1. Si la tension est sous 108 volts, vérifiez la taille des fils. 2. Nettoyez le rotor.

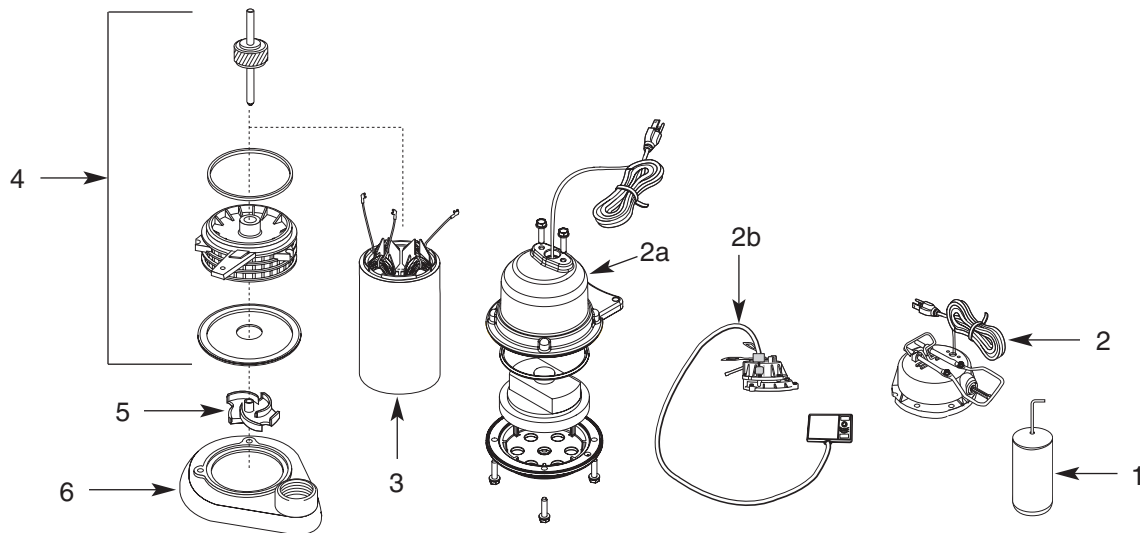


Figure	Description	No. cat. RIDGID SP330	No. cat. RIDGID SP330D	No. cat. RIDGID SP500	No. cat. RIDGID SP500A
1	Trousse de flotteur	88557	S/O	88557	88557
2	Ass. d'interrupteur/haut	88562	S/O	88562	S/O
2a	Ass. du haut/membrane	S/O	88567	S/O	S/O
2b	Dessus d'alarme/interrupteur	S/O	S/O	S/O	88572
3	Inducteur	88577	88577	88582	88582
4	Fixation/inducteur inférieur	88587	88587	88592	88592
5	Rotor en fer forgé	88597	88597	88597	88597
6	Volute de fer forgé	88602	90382	88602	88602



Bombas sumergibles de sumidero SP-330, SP-330D, SP-500 & SP-500A



Bombas sumergibles de sumidero SP-330, SP-330D y SP-500, SP-500A

Anote el Número de serie indicado abajo en la calcomanía del producto

No. de serie

Índice

Formulario de registro para el número de serie de la bomba	17
Información general sobre seguridad	
Área de trabajo	19
Seguridad eléctrica	19
Seguridad personal	19
Mantenimiento y reparación	20
Información específica sobre seguridad	
Aspectos de seguridad de la bomba sumergible	20
Descripción y especificaciones	
Descripción	20
Especificaciones	21
Curva de rendimiento y tabla de rendimiento	21
Instalación de la bomba	
Instalación	21-22
Pruebas	22-23
Instrucciones de mantenimiento	23
Programa recomendado para el recambio de piezas	23
Servicio y reparación	23
Corrección de fallas	24
Garantía de por vida	Contraportada

Información general de seguridad

La seguridad es una combinación de sentido común, mantenerse alerta y comprender cómo funciona su bomba de sumidero.

Palabras de señales de seguridad

PELIGRO significa que si no se sigue la información de seguridad, alguien **sufirá** graves lesiones o la muerte.

ADVERTENCIA significa que si no se sigue la información de seguridad, alguien **podría** sufrir graves lesiones o la muerte.

PRECAUCION significa que si no se sigue la información de seguridad, alguien **puede** lesionarse.

AVISO indica información importante, que si no se sigue, puede causar daños al equipo o inundaciones.

ADVERTENCIA Lea y comprenda todas las instrucciones. Pueden ocurrir descargas eléctricas, incendios, daños materiales y/o graves lesiones personales, si no se siguen todas las instrucciones indicadas a continuación.

¡CONSERVE ESTAS INSTRUCCIONES!

Área de trabajo

- PELIGRO**
- No opere la bomba en atmósferas explosivas como, por ejemplo, en presencia de líquidos, gases o polvos inflamables. Los motores de la bomba generan chispas que pueden incendiar el polvo o los gases.
- Mantenga a los transeúntes, niños y visitantes lejos del sitio de instalación cuando vaya a instalar la bomba. Las distracciones pueden ocasionar errores.

Seguridad eléctrica

- ADVERTENCIA**
- Esta bomba debe conectarse a una toma de corriente correctamente instalada y ponerse a tierra en conformidad con todas las ordenanzas y códigos aplicables. Nunca elimine la espiga de puesta a tierra ni modifique el enchufe de ninguna manera. No use enchufes adaptadores. Consulte a un electricista calificado si no está seguro de que la toma esté puesta a tierra. Si la bomba sufre un desperfecto eléctrico o se avería, la puesta a tierra proporciona una ruta de baja resistencia para llevar la electricidad lejos del usuario.



- La distribución del cableado eléctrico debe ser realizada por un electricista calificado. El cableado incorrecto puede acarrear descargas eléctricas fatales.
- No maltrate el cordón. Nunca use el cordón para transportar la bomba ni tire del cordón para desconectar el enchufe. Mantenga el cordón lejos del calor, aceite, bordes cortantes o piezas móviles, Reemplace inmediatamente los cordones dañados. Los cordones dañados aumentan el peligro de descargas eléctricas.
- La bomba debe conectarse a una toma de corriente que incluye un interruptor de circuito de tierra accidental (GFCI). En caso de fugas de corriente, el interruptor GFCI se dispara, reduciendo así el riesgo de graves lesiones o muerte por descargas eléctricas.

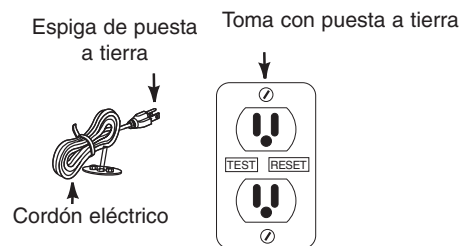


Figura 1

- Antes de usarlo, pruebe el interruptor (GFCI) para asegurarse de que esté funcionando correctamente. Un interruptor GFCI reduce el riesgo de descargas eléctricas.
- No use un cordón de extensión. El cordón de extensión aumenta el riesgo de descargas eléctricas. De ser necesario, instale una toma de corriente con una puesta correcta a tierra más cerca de la bomba.

Seguridad personal

- ADVERTENCIA**
- Manténgase alerta, atento a lo que esté haciendo y actúe con sentido común al instalar esta bomba. No intente instalar esta bomba si está cansado o bajo el efecto de drogas, alcohol o medicamentos. Un solo momento de descuido puede ocasionar graves lesiones personales.
- Vístase correctamente. No use ropas sueltas ni joyas. Sujete el cabello largo. Mantenga su cabello, sus ropas y sus guantes lejos de las piezas móviles. La ropa suelta, las joyas o el cabello largo pueden quedar atrapados entre las piezas móviles.
- No se estire excesivamente. Mantenga un equilibrio apropiado con los pies bien firmes en el suelo. Una buena postura de los pies y un buen equilibrio permiten tener un mejor control en situaciones inesperadas.
- Use los equipos de seguridad. Use siempre protección para los ojos. También se deben usar zapatos antirresbalantes de seguridad, mascarilla antipolvo y casco en las condiciones apropiadas.

Mantenimiento y reparación

⚠️ ADVERTENCIA

- El motor está lleno de aceite y herméticamente cerrado para funcionar a menor temperatura. Espere durante 2 horas para que el motor se enfríe antes de iniciar cualquier tarea de mantenimiento o reparación. El aceite caliente está bajo presión y puede ocasionar graves quemaduras.
- El mantenimiento y la reparación de la bomba deben estar a cargo de personal calificado únicamente. Si estas tareas son realizadas por personas inexpertas podrían ocurrir graves lesiones y la anulación de la garantía.
- Al reparar una bomba, use sólo piezas idénticas de repuesto. Siga las instrucciones en la Sección de mantenimiento de este manual. Si no usa las piezas autorizadas o no sigue las instrucciones de mantenimiento, puede crear riesgos de severas descargas eléctricas o lesiones.

¡NOTA! La garantía quedará anulada si desarma el motor.

Información específica de seguridad

⚠️ ADVERTENCIA

Riesgo de descargas eléctricas. Esta bomba trae un enchufe con puesta a tierra. Para reducir el riesgo de descargas eléctricas, asegúrese de conectarlo a una toma de corriente con puesta correcta a tierra que esté protegida por un interruptor GFCI.



Por su propia seguridad, antes de armar y operar esta unidad, lea cuidadosamente todo el Manual del Operador. Aprenda cómo funciona y se aplica esta unidad, así como sus riesgos peculiares.

Si tiene alguna pregunta, comuníquese con el Departamento de Servicios Técnicos de Ridge Tool Company llamando al (800) 519-3456.

Aspectos de seguridad de la bomba sumergible

⚠️ PELIGRO



- No use la bomba para bombear líquidos inflamables o explosivos como gasolina, petróleo combustible (fueloil), queroseno, solventes, diluyentes, etc. No la use en una atmósfera inflamable o explosiva. Esta bomba sólo debe usarse para bombear agua limpia. El uso inadecuado puede causar graves lesiones y/o la muerte.

⚠️ ADVERTENCIA

- Si hay agua o humedad en el piso o el suelo cerca de la bomba, no camine sobre el área húmeda hasta que se haya desconectado todo el suministro eléctrico. Si la caja de desconexión está en el sótano, llame a un electricista. Si no sigue esta advertencia podrían producirse graves descargas eléctricas.
- Desconecte siempre la fuente de alimentación eléctrica antes de intentar instalar, reparar, reubicar o dar mantenimiento a la bomba. Nunca maneje una bomba o un motor de bomba con las manos húmedas o parado sobre una superficie húmeda o mojada o en el agua. Si no se respeta esta advertencia podrían ocurrir graves lesiones personales o la muerte.
- El motor de la bomba está equipado con un protector térmico de reposición automática que puede causar la reactivación inesperada del equipo. Desconecte la fuente de suministro eléctrico cuando vaya a reparar la bomba.
- No modifique ni coloque el interruptor flotante, de modo que la bomba funcione continuamente. Esta bomba no está diseñada para funcionar continuamente y, por tanto, esto reducirá su rendimiento y la vida útil de la bomba.
- No cuelgue la bomba por el mango como instalación permanente. La bomba debe apoyarse firmemente sobre sus patas y debe quedar soportada por la tubería rígida. Con esto se reducen al mínimo las torceduras que pueden provocar daños durante el funcionamiento de la bomba.

Descripción y especificaciones

Descripción

Esta bomba sumergible está diseñada para funcionar en sumideros domésticos únicamente. La unidad está equipada con un cordón eléctrico de 8 pies de largo (2.4 m) con tres espigas y puesta a tierra. El motor tiene un protector térmico de reposición automática para prevenir la quemadura del motor debido a sobrecargas u obstrucciones. Un interruptor flotante proporciona operación automática para mantener el nivel del agua entre los puntos preajustados de fábrica.

AVISO

Esta bomba no está diseñada para manejar agua salada, salmuera, descargas de lavandería u otras aplicaciones que puedan contener agentes químicos cáusticos y/o materiales extraños. Esta bomba no es adecuada para su uso con fauna acuática. La bomba puede dañarse o averiarse, si se usa en estas aplicaciones y esto causará la anulación de la garantía.

AVISO

Se recomienda ampliamente usar un sistema de pila de reserva. Las suspensiones del servicio eléctrico, el flujo excesivo del agua, el disparo del interruptor G.F.C.I. y el desgaste de la bomba primaria pueden causar inundaciones. Un sistema de pila de reserva reduce este riesgo. Consulte a su distribuidor de Ridge Tool Company.

Especificaciones

Motor:

- TipoPolo protegido
- Capacidad nominal120V, monofásica
- 1/3 HP, 9.5 Amps
- 1/2 HP, 10 Amps

Bomba

- 1/3 HP3100 GPH a cero pies
- 1/2 HP4400 GPH a cero pies
- Gama de temperaturas de los líquidos40F a 120F
- Nivel de activación.....9" (2.7 m)
- Nivel de desactivación.....4" (1.2 m)

Curva de rendimiento

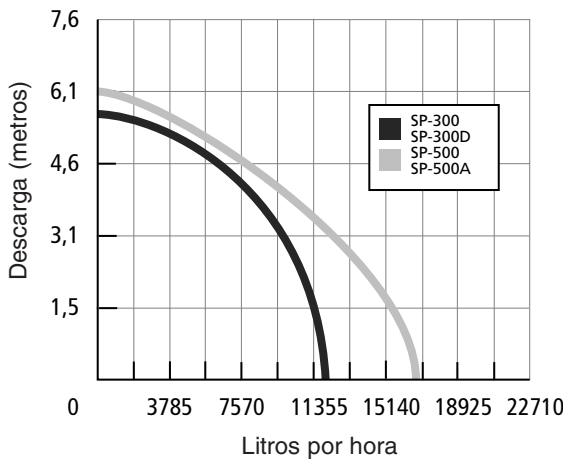


Tabla de rendimiento

Modelo	Cabeza de descarga	Cabeza de descarga			
		0m	1,5m	3,1m	4,6m
SP-330	Litros/hora	11734	11355	10220	6359
SP-330D	Litros/hora	11734	11355	10220	6359
SP-500	Litros/hora	16654	15519	12112	7570
SP-500A	Litros/hora	16654	15519	12112	7570

Instalación de la bomba

PELIGRO

- Esta bomba sólo debe usarse para bombear agua limpia. No use esta bomba para bombear líquidos como gasolina, petróleo combustible (fueloil) o queroseno. No la use en atmósferas inflamables o explosivas. El uso incorrecto podría ocasionar lesiones personales y/o la muerte.

ADVERTENCIA

Para prevenir daños materiales, graves lesiones o muerte, se requiere la instalación correcta de la bomba. Por tanto, deben seguirse estos procedimientos:

- La bomba debe conectarse a una toma con puesta a tierra que incluya un interruptor de circuito de tierra accidental (GFCI) (Figura 1).
- Desconecte siempre la fuente de alimentación eléctrica antes de intentar instalar, reparar, reubicar o dar mantenimiento a la bomba. Nunca maneje la bomba o el motor de la bomba con manos húmedas o si usted está de pie sobre una superficie mojada o húmeda o en agua cuando la bomba esté conectada al suministro eléctrico.

Instalación

1. Construya una cuenca de concreto, acero o plástico para el sumidero que tenga 24 pulgadas (61 cm) de fondo y al menos 11 pulgadas (28 cm) de diámetro (Figura 2 en la columna derecha). Si ya hay un sumidero asegúrese de que tenga el tamaño correcto.
2. Asegúrese de que la toma de corriente esté puesta a tierra y tenga capacidad nominal para 115 voltios y al menos 15 amperios. La toma debe estar protegida por un interruptor de circuito de tierra accidental (GFCI).

ADVERTENCIA

El uso de una toma con puesta a tierra protegida con un interruptor GFCI reduce el riesgo de descargas eléctricas fatales.

3. Revise el cordón y el enchufe para detectar cualquier daño. Si el enchufe no tiene la espiga de puesta a tierra o el cordón está dañado, no instale la bomba hasta que haya recambiado el cordón.

(Conmutador de diafragma modelo SP-330D solamente)

4. Quite los dos sujetadores del caracol de hierro fundido cerca del área de descarga. Ponga en línea el orificio con el interruptor de diafragma y vuelva a colocar los sujetadores sin apretar demasiado.

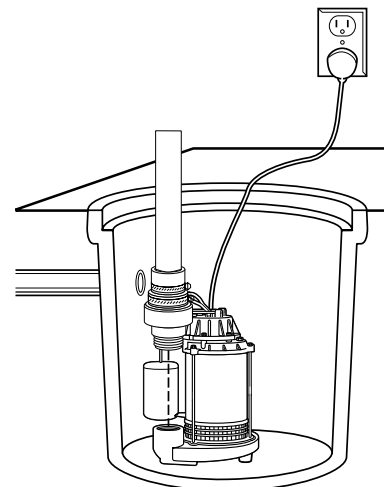


Figura 2 – Instalación de bomba sumergible

⚠️ ADVERTENCIA

Nunca corte una espiga de puesta a tierra ni use un adaptador.

⚠️ ADVERTENCIA

Soporte la bomba y la tubería al armar e instalar la bomba. Si no le da este soporte, la tubería puede romperse o la bomba puede caerse, causando daños materiales y/o lesiones personales.

- Coloque la bomba en el sumidero. Sitúe la bomba sobre una superficie sólida nivelada.

AVISO

No use la bomba directamente sobre arcilla, grava o en ninguna superficie de material suelto o arenoso. Estas superficies contienen piedrecitas o arena que pueden obstruir o dañar la bomba. Esto podría ocasionar daños a la bomba y daños materiales.

- Esta bomba tiene una tubería de descarga de 1-1/2" NPT. Si la tubería existente tiene 1-1/4" NPT, es posible usar un buje o manguito adaptador (que no se incluye con la bomba). No use una tubería que tenga menos de 1-1/4" NPT. Una tubería demasiado pequeña causará un rendimiento deficiente.
- Se requiere una válvula de retención (que no se incluye con la bomba) en la tubería de descarga para impedir el refluo al desactivar la bomba. Es mejor instalar la válvula de retención directamente en el punto de descarga de la bomba. Enrosque una válvula de retención en el punto de descarga de la bomba.

AVISO

Tenga cuidado para no desgastar los filetes de la rosca o enroscar mal la válvula. No use un agente sellador para tuberías.

AVISO

La finalidad del uso de la manguera flexible de descarga es únicamente temporal. Para una instalación permanente se requiere el uso de un tubo rígido de PVC o metal. Si se usa temporalmente una manguera flexible de descarga, asegúrese de que la bomba esté sujeta firmemente a la cuenca del sumidero para evitar movimientos. La falta de una sujeción firme de la bomba puede permitir el movimiento de la bomba y causar una interferencia en el interruptor evitando que la bomba se ponga en marcha o se detenga. Esto podría causar una inundación o daños materiales.

¡IMPORTANTE! Asegúrese de que haya un espacio suficiente para que el interruptor flotante se mueva libremente durante la operación. Se requiere un espacio libre de 1 pulgada como mínimo.

- Conecte un tubo rígido de 1-1/4 pulgadas de diámetro al manguito de goma en la válvula de retención (que no se incluye con la bomba). Voltee el manguito hacia el tubo de 1-1/2 pulg. de diámetro. Apriete las abrazaderas.

- Inserte el enchufe del cordón de suministro eléctrico de la bomba directamente en la toma eléctrica de puesta a tierra de 115 voltios que está protegida mediante un interruptor de circuito de tierra accidental. (Figura 1)

⚠️ ADVERTENCIA

Cuando vaya a tender el cordón de alimentación eléctrica, protéjalo contra objetos cortantes, superficies calientes, aceites y agentes químicos. No doble ni tuerza el cordón; reemplace inmediatamente un cordón dañado.

Modelos de alarmas contra inundaciones (vea la figura 3)

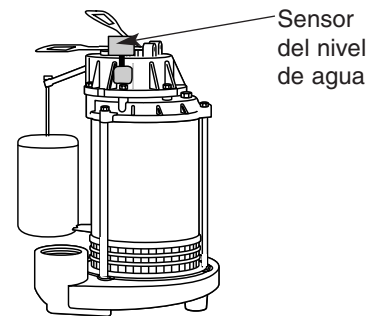


Figura 3 - Sensor de agua

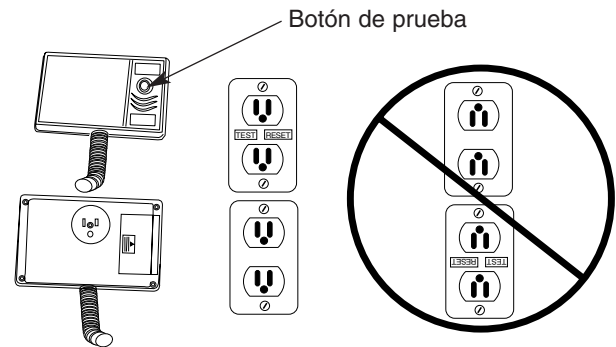


Figura 4 - Modelos de alarma

La unidad debe enchufarse en la toma como se muestra en la figura 4. No enchufe la caja de la alarma al revés. Esto puede ocasionar que la bomba se desenchufe. Si la toma está al revés pídale a un electricista calificado que coloque la toma en la posición correcta antes de instalar la unidad.

Pruebas

- Llene la cuenca del sumidero con agua.
- Mientras la bomba está drenando la cuenca, verifique que el tubo de descarga está llevando el agua hasta un punto situado por lo menos a 4.5 m más allá del fondo de la cuenca.

AVISO

El tubo exterior debe estar inclinado hacia abajo para drenar. Esto ayuda a prevenir que los desechos entren en el tubo de descarga y asimismo evita que el agua retenida se congele, lo que puede dañar la bomba.

3. Instale la cubierta de la cuenca del sumidero (que no se incluye con la bomba) para prevenir que los desechos obstruyan o dañen la bomba.

Modelos de alarmas contra inundaciones

Prueba de la alarma - (vea la figura 4)

Presione y sostenga el botón de prueba hasta que suene la alarma. Si la alarma no se activa después de 3 segundos revise y/o cambie la pila y luego repita la prueba.

Prueba del sensor de nivel de agua – (vea la figura 3)

La alarma se activa cuando el nivel de agua llega al pequeño flotante blanco. Pruebe el funcionamiento del sensor de nivel de agua, levantándolo hasta que la alarma se active. Un período de retardo de 3 a 5 segundos es normal.

Instrucciones de mantenimiento

⚠️ ADVERTENCIA

Desconecte siempre el suministro eléctrico o desenchufe la bomba antes de intentar instalar, reparar, reubicar o realizar cualquier tarea de mantenimiento. Si la fuente de alimentación eléctrica no está visible, bloquee y etiquete la posición abierta (en posición OFF de apagado) para prevenir la aplicación inesperada del suministro eléctrico. De no hacerlo así, usted puede sufrir una descarga eléctrica fatal. Sólo un electricista calificado debe intentar reparar esta unidad. La reparación inadecuada puede ocasionar descargas eléctricas fatales.

- **El motor está lleno de aceite y está sellado herméticamente para funcionar a menor temperatura. Espere 2 horas para que el motor se enfríe antes de repararlo. El aceite caliente está bajo presión y puede acarrear graves quemaduras.**
1. Compruebe el funcionamiento del Interruptor de circuito de tierra accidental (GFCI) cada mes.
 2. Mantenga limpio y libre de todo objeto extraño el punto de entrada de la bomba. Revíselo una vez al año y limpie el sumidero según sea necesario.
 3. Compruebe el buen funcionamiento de la bomba cada mes llenando el sumidero con agua hasta que la bomba

se active.

4. Revise cada mes todas las conexiones de tuberías para detectar cualquier fuga o pieza aflojada.

¡NOTA! Desarmar el motor puede causar la anulación de la garantía.

Programa recomendado de recambio de piezas

Reemplace el interruptor de la bomba cada 2 años. Use el número de Cat. RIDGID que se indica en la página 24.

Reemplace el flotante cada 2 años. Use el número de Cat. RIDGID que se indica en la página 24.

Servicio y reparación

⚠️ ADVERTENCIA

- Las tareas de mantenimiento y reparación en esta bomba deben ser realizadas por personal calificado de reparaciones. La bomba debe llevarse a un Centro Autorizado de Servicio RIDGID independiente o enviarse a la fábrica. Todas las reparaciones realizadas en los centros de servicio RIDGID están garantizadas contra defectos en materiales y mano de obra.
- Al dar mantenimiento a esta bomba, sólo deben usarse piezas idénticas de repuesto marca RIDGID. Si no se respetan estas advertencias, habrá riesgos de inundaciones, daños materiales, descargas eléctricas fatales u otras graves lesiones y también puede causar la pérdida de la garantía.

Si usted tiene alguna pregunta respecto al servicio o reparación de esta máquina, llame o escriba a:

Ridge Tool Company
 Technical Service Department
 400 Clark Street
 Elyria, Ohio 44036-2023
 Tel: (800) 519-3456
 E-Mail: TechService@ridgid.com

Si desea conocer el nombre y la dirección del Centro Autorizado de Servicio independiente más cercano a su domicilio, comuníquese con Ridge Tool Company llamando al (800) 519-3456 o visite nuestra página de Internet en: <http://www.ridgid.com>

Corrección de fallas

⚠ADVERTENCIA

Permita que la bomba se enfríe durante dos horas como mínimo antes de repararla o darle mantenimiento, porque la bomba contiene aceite caliente bajo presión. Desconecte la bomba de la fuente de suministro eléctrico antes de intentar cualquier reparación o mantenimiento.

CUADRO DE CORRECCIÓN DE FALLAS

Síntoma	Causa(s) posible(s)	Medida correctiva
La bomba no arranca ni funciona.	<ol style="list-style-type: none"> 1. Interruptor o fusible quemado 2. Bajo voltaje de línea 3. Motor desgastado 4. Interruptor desgastado 5. El rotor no está girando 6. Obstrucción del flotante 	<ol style="list-style-type: none"> 1. Si se quemó el fusible, reemplácelo con un fusible de tamaño apropiado o reajuste el interruptor. 2. Si el voltaje está por debajo de 108 voltios, revise el calibre del cable. 3. Reemplace el motor o la bomba. 4. Reemplace el interruptor. 5. Si el rotor no gira, retire la caja y elimine el bloqueo. 6. Asegúrese que el flotador se mueva libre arriba y abajo.
La bomba arranca y se detiene con demasiada frecuencia	<ol style="list-style-type: none"> 1. Reflujo del agua por la tubería 2. Interruptor defectuoso 	<ol style="list-style-type: none"> 1. Instale o reemplace la válvula de retención. 2. Reemplace el interruptor.
La bomba no se apaga o el protector térmico se abre	<ol style="list-style-type: none"> 1. Interruptor defectuoso 2. Obstáculo en la tubería 3. Flotante obstruido 	<ol style="list-style-type: none"> 1. Reemplace el interruptor. 2. Retire la bomba y limpie la bomba y la tubería. 3. Asegúrese que el flotador se mueva libre arriba y abajo.
La bomba funciona pero suministra poca o nada de agua	<ol style="list-style-type: none"> 1. Bajo voltaje de línea 2. Rotor taponado 	<ol style="list-style-type: none"> 1. Si el voltaje está por debajo de 108 voltios, revise el calibre del cable. 2. Limpie el rotor.

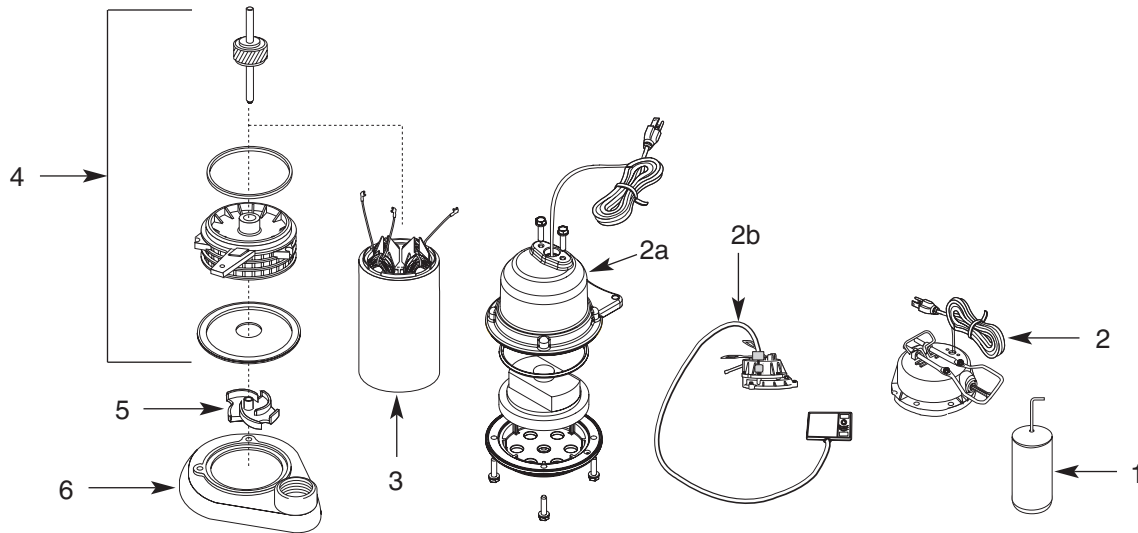


Figura	Descripción	# Cat. RIDGID SP330	# Cat. RIDGID SP330D	# Cat. RIDGID SP500	# Cat. RIDGID SP500A
1	Kit de flotación	88557	N/A	88557	88557
2	Interruptor/Conjunto superior	88562	N/A	88562	N/A
2a	Conjunto superior/diafragma	N/A	88567	N/A	N/A
2b	Conjunto de alarma/interruptor	N/A	N/A	N/A	88572
3	Estator	88577	88577	88582	88582
4	Soporte inferior/Rotor	88587	88587	88592	88592
5	Rotor de hierro fundido	88597	88597	88597	88597
6	Voluta de hierro fundido	88602	90382	88602	88602



What is covered

RIDGID® tools are warranted to be free of defects in workmanship and material.

How long coverage lasts

This warranty lasts for the lifetime of the RIDGID® tool. Warranty coverage ends when the product becomes unusable for reasons other than defects in workmanship or material.

How you can get service

To obtain the benefit of this warranty, deliver via prepaid transportation the complete product to RIDGE TOOL COMPANY, Elyria, Ohio, or any authorized RIDGID® INDEPENDENT SERVICE CENTER. Pipe wrenches and other hand tools should be returned to the place of purchase.

What we will do to correct problems

Warranted products will be repaired or replaced, at RIDGE TOOL'S option, and returned at no charge; or, if after three attempts to repair or replace during the warranty period the product is still defective, you can elect to receive a full refund of your purchase price.

What is not covered

Failures due to misuse, abuse or normal wear and tear are not covered by this warranty. RIDGE TOOL shall not be responsible for any incidental or consequential damages.

How local law relates to the warranty

Some states do not allow the exclusion or limitation of incidental or consequential damages, so the above limitation or exclusion may not apply to you. This warranty gives you specific rights, and you may also have other rights, which vary, from state to state, province to province, or country to country.

No other express warranty applies

This FULL LIFETIME WARRANTY is the sole and exclusive warranty for RIDGID® products. No employee, agent, dealer, or other person is authorized to alter this warranty or make any other warranty on behalf of the RIDGE TOOL COMPANY.



Ce qui est couvert

Les outils RIDGE® sont garantis contre tous vices de matériaux et de main d'oeuvre.

Durée de couverture

Cette garantie est applicable durant la vie entière de l'outil RIDGE®. La couverture cesse dès lors que le produit devient inutilisable pour raisons autres que des vices de matériaux ou de main d'oeuvre.

Pour invoquer la garantie

Pour toutes réparations au titre de la garantie, il convient d'expédier le produit complet en port payé à la RIDGE TOOL COMPANY, Elyria, Ohio, ou bien le remettre à un réparateur RIDGID® agréé. Les clés à pipe et autres outils à main doivent être ramenés au lieu d'achat.

Ce que nous ferons pour résoudre le problème

Les produits sous garantie seront à la discrétion de RIDGE TOOL, soit réparés ou remplacés, puis réexpédiés gratuitement; ou si, après trois tentatives de réparation ou de remplacement durant la période de validité de la garantie le produit s'avère toujours défectueux, vous aurez l'option de demander le remboursement intégral de son prix d'achat.

Ce qui n'est pas couvert

Les défaillances dues au mauvais emploi, à l'abus ou à l'usure normale ne sont pas couvertes par cette garantie. RIDGE TOOL ne sera tenue responsable d'aucuns dommages directs ou indirects.

L'influence de la législation locale sur la garantie

Puisque certaines législations locales interdisent l'exclusion des dommages directs ou indirects, il se peut que la limitation ou exclusion ci-dessus ne vous soit pas applicable. Cette garantie vous donne des droits spécifiques qui peuvent être éventuellement complétés par d'autres droits prévus par votre législation locale.

Il n'existe aucune autre garantie expresse

Cette GARANTIE PERPETUELLE INTEGRALE est la seule et unique garantie couvrant les produits RIDGID®. Aucun employé, agent, distributeur ou tiers n'est autorisé à modifier cette garantie ou à offrir une garantie supplémentaire au nom de la RIDGE TOOL COMPANY.

Ridge Tool Company

400 Clark Street

Elyria, Ohio 44036-2023



Qué cubre

Las herramientas RIDGID están garantizadas contra defectos de la mano de obra y de los materiales empleados en su fabricación.

Duración de la cobertura

Esta garantía cubre a la herramienta RIDGID durante toda su vida útil. La cobertura de la garantía caduca cuando el producto se torna inservible por razones distintas a las de defectos en la mano de obra o en los materiales.

Cómo obtener servicio

Para obtener los beneficios de esta garantía, envíe mediante porte pagado, la totalidad del producto a RIDGE TOOL COMPANY, en Elyria, Ohio, o a cualquier Servicentro Independiente RIDGID. Las llaves para tubos y demás herramientas de mano deben devolverse a la tienda donde se adquirieron.

Lo que hacemos para corregir el problema

El producto bajo garantía será reparado o reemplazado por otro, a discreción de RIDGE TOOL, y devuelto sin costo; o, si aún resulta defectuoso después de haber sido reparado o sustituido tres veces durante el período de su garantía, Ud. puede optar por recibir un reembolso por el valor total de su compra.

Lo que no está cubierto

Esta garantía no cubre fallas debido al mal uso, abuso o desgaste normal. RIDGE TOOL no se hace responsable de daño incidental o consiguiente alguno.

Relación entre la garantía y las leyes locales

Algunos estados de los EE.UU. no permiten la exclusión o restricción referente a daños incidentales o consiguientes. Por lo tanto, puede que la limitación o restricción mencionada anteriormente no rija para Ud. Esta garantía le otorga derechos específicos, y puede que, además, Ud tenga otros derechos, los cuales varían de estado a estado, provincia a provincia o país a país.

No rige ninguna otra garantía expresa

Esta GARANTIA VITALICIA es la única y exclusiva garantía para los productos RIDGID. Ningún empleado, agente, distribuidor u otra persona está autorizado para modificar esta garantía u ofrecer cualquier otra garantía en nombre de RIDGE TOOL COMPANY.



Ridge Tool Subsidiary
Emerson Electric Co.

Free Manuals Download Website

<http://myh66.com>

<http://usermanuals.us>

<http://www.somanuals.com>

<http://www.4manuals.cc>

<http://www.manual-lib.com>

<http://www.404manual.com>

<http://www.luxmanual.com>

<http://aubethermostatmanual.com>

Golf course search by state

<http://golfingnear.com>

Email search by domain

<http://emailbydomain.com>

Auto manuals search

<http://auto.somanuals.com>

TV manuals search

<http://tv.somanuals.com>