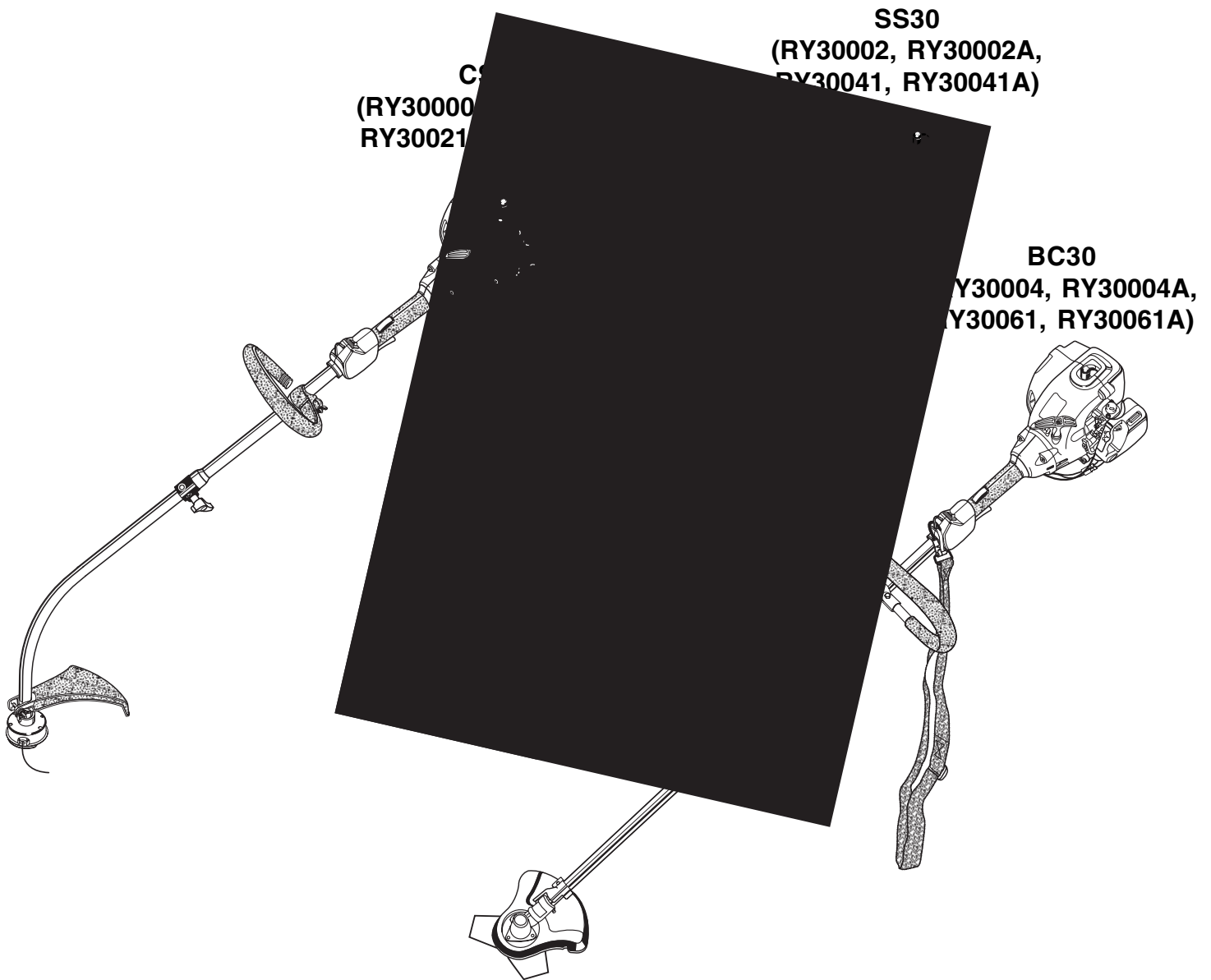




# OPERATOR'S MANUAL

## 30cc String Trimmers and Brushcutter

### RY30000 Series



Your new trimmer has been engineered and manufactured to Ryobi's high standard for dependability, ease of operation, and operator safety. Properly cared for, it will give you years of rugged, trouble-free performance.

**⚠ WARNING:** To reduce the risk of injury, the user must read and understand the operator's manual before using this product.

Thank you for buying a Ryobi trimmer.

**SAVE THIS MANUAL FOR FUTURE REFERENCE**

# TABLE OF CONTENTS

■ Introduction .....	2
■ General Safety Rules .....	3
■ Specific Safety Rules .....	4
■ Symbols .....	5 - 6
■ Specifications .....	7
■ Unpacking .....	7
■ Features .....	8 - 9
■ Assembly .....	10 - 14
■ Operation .....	15 - 18
■ Maintenance .....	19 - 22
■ Troubleshooting .....	23 - 24
■ Warranty .....	25 - 26

## INTRODUCTION

Trimming weeds and grass is an easy task using Ryobi Trimmers and Brushcutters. Safety, performance, and dependability have been given top priority in the design of this string trimmer making it easy to maintain and operate.

# GENERAL SAFETY RULES



## WARNING:

Read and understand all instructions. Failure to follow all instructions listed below may result in electric shock, fire and/or serious personal injury.

## READ ALL INSTRUCTIONS

- For safe operation, read and understand all instructions before using this product. Follow all safety instructions. Failure to follow all safety instructions listed below, can result in serious personal injury.
  - Do not allow children or untrained individuals to use this unit.
  - Never start or run the engine in a closed or poorly ventilated area; breathing exhaust fumes can kill.
  - Clear the work area before each use. Remove all objects such as rocks, broken glass, nails, wire, or string which can be thrown or become entangled in the cutting line or blade.
  - Wear safety glasses or goggles that are marked to comply with ANSI Z87.1 standard when operating this product.
  - Product users on United States Forest Service land, and in some states, must comply with fire prevention regulations. This product is equipped with a spark arrestor; however, other user requirements may apply. Check with your federal, state, or local authorities.
  - Wear heavy, long pants, boots, and gloves. Do not wear loose fitting clothing, short pants, or go barefoot. Do not wear jewelry of any kind.
  - Never operate this unit on the operator's left side.
  - Secure long hair above shoulder level to prevent entanglement in moving parts.
  - Keep all bystanders, children, and pets at least 15 m (50 ft.) away.
  - Do not operate this unit when you are tired, ill, or under the influence of alcohol, drugs, or medication.
  - Do not operate in poor lighting.
  - Keep firm footing and balance. Do not overreach. Overreaching can result in loss of balance or exposure to hot surfaces.
  - Keep all parts of your body away from any moving part.
  - To avoid hot surfaces, never operate the unit with the bottom of the engine above waist level.
  - Do not touch area around the muffler or cylinder of the unit, these parts get hot from operation.
  - Always stop the engine and remove the spark plug wire before making any adjustments or repairs except for carburetor adjustments.
  - Inspect the unit before each use for loose fasteners, fuel leaks, etc. Replace any damaged parts before use.
  - The string head or blade will rotate during carburetor adjustments.
  - It has been reported that vibrations from hand-held tools may contribute to a condition called Raynaud's Syndrome in certain individuals. Symptoms may include tingling, numbness and blanching of the fingers, usually apparent upon exposure to cold. Hereditary factors, exposure to cold and dampness, diet, smoking and work practices are all thought to contribute to the development of these symptoms. It is presently unknown what, if any, vibrations or extent of exposure may contribute to the condition. There are measures that can be taken by the operator to possibly reduce the effects of vibration:
    - a) Keep your body warm in cold weather. When operating the unit wear gloves to keep the hands and wrists warm. It is reported that cold weather is a major factor contributing to Raynaud's Syndrome.
    - b) After each period of operation, exercise to increase blood circulation.
    - c) Take frequent work breaks. Limit the amount of exposure per day.
    - d) Keep the tool well maintained, fasteners tightened and worn parts replaced.
- If you experience any of the symptoms of this condition, immediately discontinue use and see your physician about these symptoms.
- Mix and store fuel in a container approved for gasoline.
  - Mix fuel outdoors where there are no sparks or flames. Wipe up any fuel spillage. Move 9 m (30 ft. ) away from refueling site before starting engine.
  - Stop the engine and allow to cool before refueling or storing the unit.
  - Allow the engine to cool; empty the fuel tank and secure the unit from moving before transporting in a vehicle.

# SPECIFIC SAFETY RULES

## SPECIFIC SAFETY RULES FOR TRIMMER USE









- Replace string head if cracked, chipped, or damaged in any way. Be sure the string head or blade is properly installed and securely fastened. Failure to do so can cause serious injury.
- Make sure all guards, straps, deflectors and handles are properly and securely attached.
- Use only the manufacturer's replacement string in the cutting head. Do not use any other cutting attachment. To install any other brand of cutting head to this string trimmer can result in serious personal injury.
- Never operate unit without the grass deflector in place and in good condition.
- Maintain a firm grip on both handles while trimming. Keep string head below waist level. Never cut with the string head located over 76 cm (30 in.) or more above the ground.

## SPECIFIC SAFETY RULES FOR BRUSHCUTTER AND BLADE USE

- After engine stops, keep rotating blade in thicker weeds or pulpy stalks until it stops.
  - Do not operate the brushcutter unless the brushcutter guard is firmly secured in place and in good condition.
  - Use heavy gloves when operating the brushcutter and when installing or removing blades.
  - Always stop the engine and remove the spark plug wire before attempting to remove any obstruction caught or jammed in the blade or before removing and installing the blade.
  - Do not attempt to touch or stop the blade when it is rotating.
  - A coasting blade can cause injury while it continues to spin after the engine is stopped or throttle trigger released. Maintain proper control until the blade has completely stopped rotating.
- Replace any blade that has been damaged. Always make sure blade is installed correctly and securely fastened before each use. Failure to do so can cause serious injury.
  - Use only the manufacturer's replacement TRI-ARC® blade intended for use on this brushcutter. Do not use any other blade. To install any other brand blade or cutting head to this brushcutter can result in serious personal injury.
  - The TRI-ARC® blade is suited for cutting thicker weeds or pulpy stalks only. Do not use for any other purpose. Never use the TRI-ARC® blade to cut woody brush.
  - Exercise extreme caution when using the blade with this unit. Blade thrust is the reaction that may occur when the spinning blade contacts anything it cannot cut. This contact may cause the blade to stop for an instant, and suddenly "thrust" the unit away from the object that was hit. This reaction can be violent enough to cause the operator to lose control of the unit. Blade thrust can occur without warning if the blade snags, stalls, or binds. This is more likely to occur in areas where it is difficult to see the material being cut. For cutting ease and safety, approach the weeds being cut from the right to the left. In the event an unexpected object or woody stock is encountered, this could minimize the blade thrust reaction.
  - Never cut any material over 13 mm (1/2 in.) diameter.
  - Always wear the shoulder harness when using the brushcutter and adjust to a comfortable operating position. Maintain a firm grip on both handles while cutting with a blade. Keep the blade away from body and below waist level.
  - Never use the brushcutter with the blade located 76 cm (30 in.) or more above the ground level.




# SYMBOLS

Some of the following symbols may be used on this tool. Please study them and learn their meaning for safe operation of this product.

SYMBOL	NAME	EXPLANATION
	Safety Alert Symbol	Precautions that involve your safety.
	Read the Operator's Manual	To reduce the risk of injury, user must read and understand operator's manual before using this product.
	Wear Eye and Hearing Protection	Wear eye protection which is marked to comply with ANSI Z87.1 as well as hearing protection when operating this equipment.
	Keep Bystanders Away	Keep all bystanders at least 50 ft. (15 m) away.
	Ricochet	Thrown objects can ricochet and result in personal injury or property damage.
	No Blade	Do not install or use any type of blade on a product displaying this symbol.
	Blade Thrust	Beware of blade thrust. Products authorized for blade use will display this symbol to warn of blade thrust.
	Gasoline and Oil	Use unleaded gasoline intended for motor vehicle use with an octane rating of 87 $([R + M] / 2)$ or higher. This product is powered by a 2-cycle engine and requires pre-mixing gasoline and 2-cycle oil.

# SYMBOLS

The following signal words and meanings are intended to explain the levels of risk associated with this product.

SYMBOL	SIGNAL	MEANING
	<b>DANGER:</b>	Indicates an imminently hazardous situation which, if not avoided, will result in death or serious injury.
	<b>WARNING:</b>	Indicates a potentially hazardous situation which, if not avoided, could result in death or serious injury.
	<b>CAUTION:</b>	Indicates a potentially hazardous situation which, if not avoided, may result in minor or moderate injury.
	<b>CAUTION:</b>	(Without Safety Alert Symbol) Indicates a situation that may result in property damage.

## SERVICE

Servicing requires extreme care and knowledge and should be performed only by a qualified service technician. For service we suggest you return the product to your nearest **AUTHORIZED SERVICE DEALER** for repair. When servicing, use only identical replacement parts.



### WARNING:

Observe all normal safety precautions related to avoid electrical shock.



### WARNING:

To avoid serious personal injury, do not attempt to operate this product until you read thoroughly and understand completely the operator's manual. Save this operator's manual and review frequently for continuing safe operation and instructing others who may use this product.



### WARNING:



The operation of any product can result in foreign objects being thrown into your eyes, which can result in severe eye damage. Before beginning operation, always wear safety goggles or safety glasses with side shields and a full face shield when needed. We recommend Wide Vision Safety Mask for use over eyeglasses or standard safety glasses with side shields. Always wear eye protection which is marked to comply with ANSI Z87.1.

## SAVE THESE INSTRUCTIONS

# SPECIFICATIONS

## Weight - (without fuel)

CS30 (RY30000, RY30000A, RY30021, and RY30021A) .....	10.7 lbs. (4.9 kg.)
SS30 (RY30002, RY30002A, RY30041, and RY30041A) .....	12.1 lbs. (5.4 kg.)
BC30 (RY30004, UT30004A, RY30061, and RY30061A) .....	12.9 lbs. (5.9 kg.)

## String cutting width

CS30 (RY30000, RY30000A, RY30021, and RY30021A) .....	17 in. (432 mm)
SS30 (RY30002, RY30002A, RY30041, and RY30041A) .....	18 in. (457 mm)
BC30 (RY30004, UT30004A, RY30061, and RY30061A) .....	18 in. (457 mm)

## Blade cutting width

BC30 (RY30004, UT30004A, RY30061, and RY30061A) .....	8 in. (203)
-------------------------------------------------------	-------------

Engine displacement ..... 30cc

## String diameter

CS30 (RY30000, RY30000A, RY30021, and RY30021A) .....	.080 in. (2.0 mm)
SS30 (RY30002, RY30002A, RY30041, and RY30041A) .....	.095 in. (2.4 mm)
BC30 (RY30004, UT30004A, RY30061, and RY30061A) .....	.095 in. (2.4 mm)

# UNPACKING

## INSTRUCTIONS

- Carefully remove the product from the carton.
- Inspect the product to make sure no breakage or damage occurred during shipping.
- Do not discard the packing material until you have inspected and operated the product.
- If any parts are damaged or missing, please call 1-800-860-4050 for assistance.



### WARNING:

If any parts are missing, do not operate this tool until the missing parts are replaced. Failure to do so could result in possible serious personal injury.

## PACKING LIST - CS30

- Trimmer Assembly
- Owner's Kit
  - Front handle
  - Curved Shaft Grass deflector
  - Hardware Bags (2)
  - Bottle of 2-Cycle Oil
  - Hanger Cap
  - Operator's manual
  - Warranty Registration Card

## PACKING LIST - SS30

- Trimmer Assembly
- Owner's Kit
  - Front handle
  - Straight Shaft Grass deflector
  - Hardware Bags (2)
  - Bottle of 2-Cycle Oil
  - Hanger Cap
  - Operator's manual
  - Warranty Registration Card

## PACKING LIST - BC30

- Trimmer Assembly
- Owner's Kit
  - "J" Barrier Handle
  - Straight Shaft Grass Deflector
  - Gear Head Locking Tool
  - Hardware Bag
  - Bottle of 2-Cycle Oil
  - Shoulder Harness
  - String Head Assembly
  - Hanger Cap
  - Operator's manual
  - Warranty Registration Card

# FEATURES

**CS30**  
**(RY30000, RY30000A,**  
**RY30021, RY30021A)**

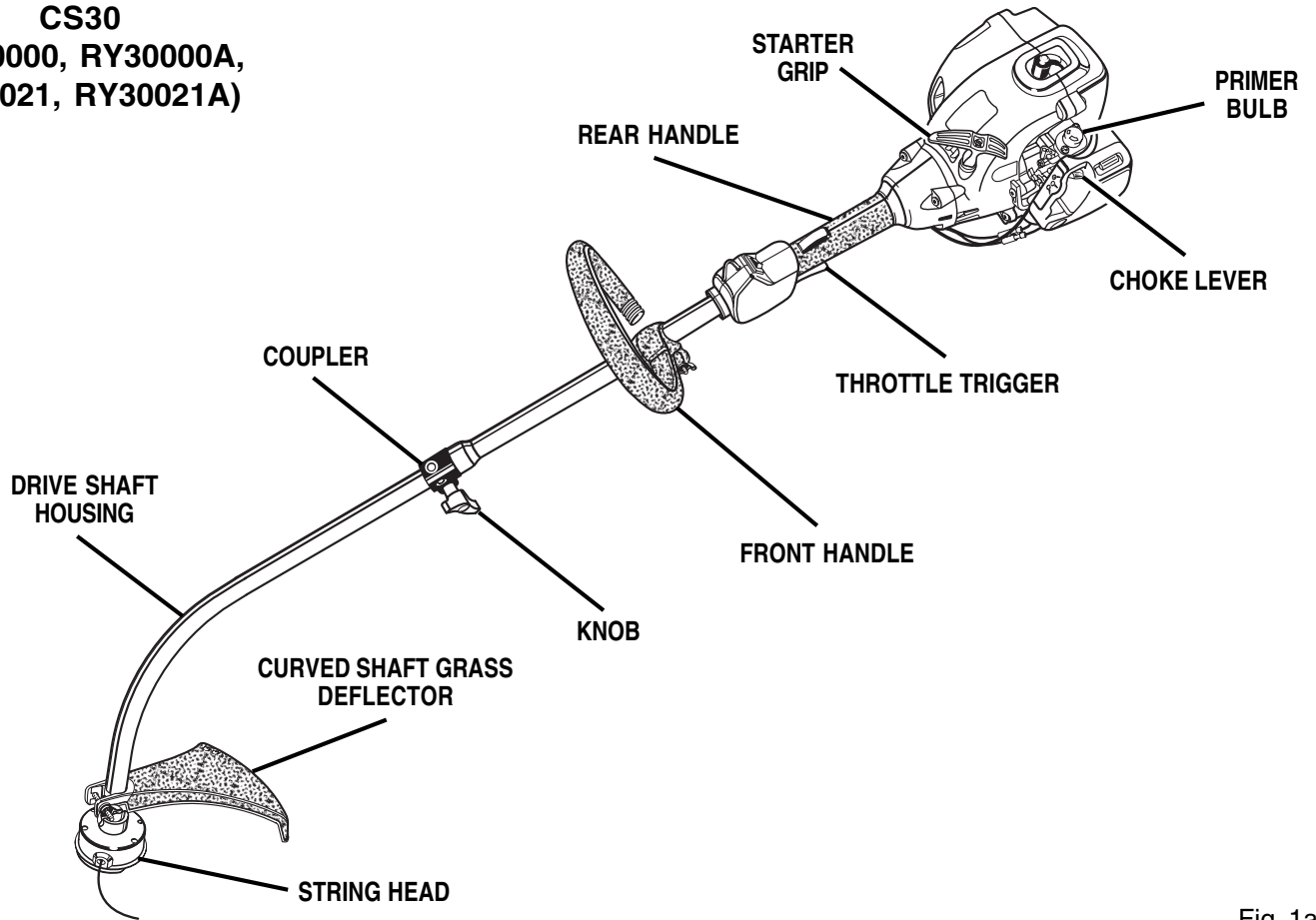
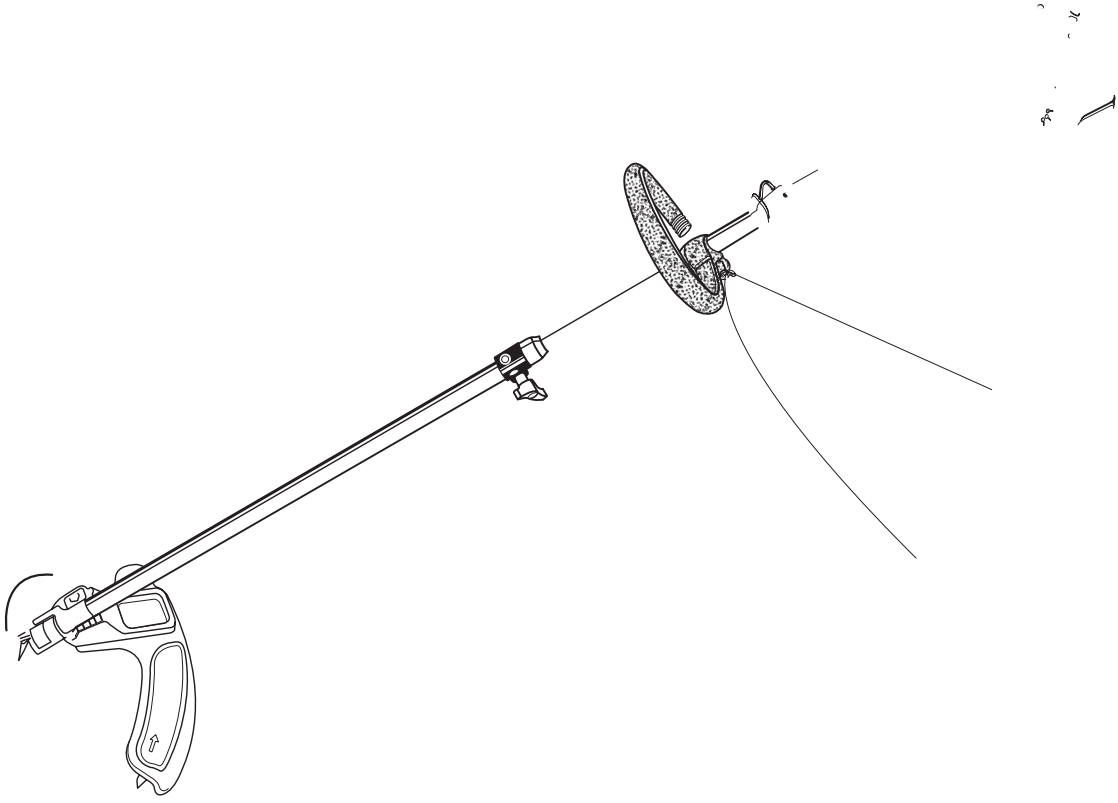


Fig. 1a





# ASSEMBLY

## ATTACHING THE POWER HEAD TO THE ATTACHMENT

See Figure 2.

### **WARNING:**

Never attach or adjust any attachment while power head is running. Failure to stop the engine can cause serious personal injury.

The attachment connects to the power head by means of a coupler device.

1. Loosen the knob on the coupler of the power head shaft and remove the end cap from the attachment.
2. Push in the button located on the attachment shaft. Align the button with the guide recess on the power head coupler and slide the two shafts together. Rotate the attachment shaft until the button locks into the positioning hole.

**NOTE:** If the button does not release completely in the positioning hole, the shafts are not locked into place. Slightly rotate from side to side until the button is locked into place.

3. Tighten the knob securely.

### **WARNING:**

Be certain the knob is fully tightened before operating equipment; check it periodically for tightness during use to avoid serious personal injury.

## REMOVING THE ATTACHMENT FROM THE POWER HEAD

For removing or changing the attachment:

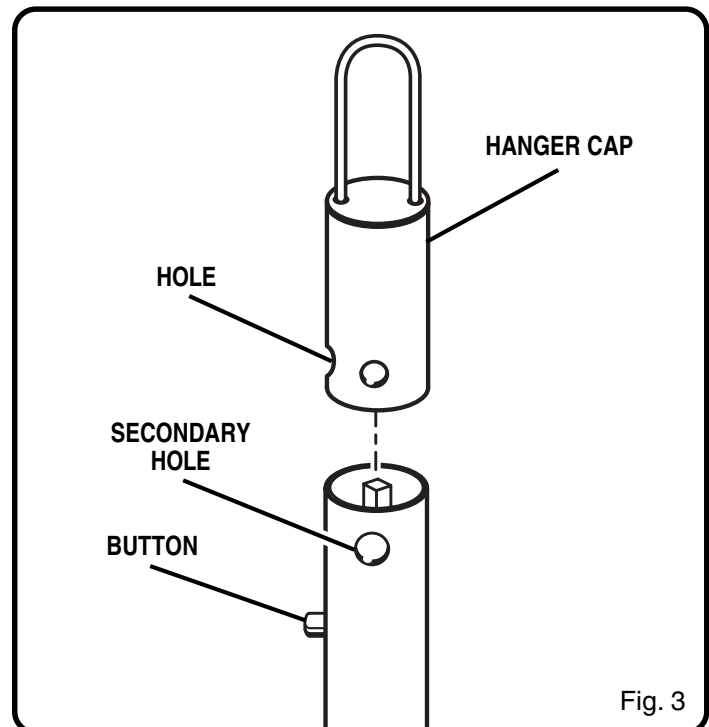
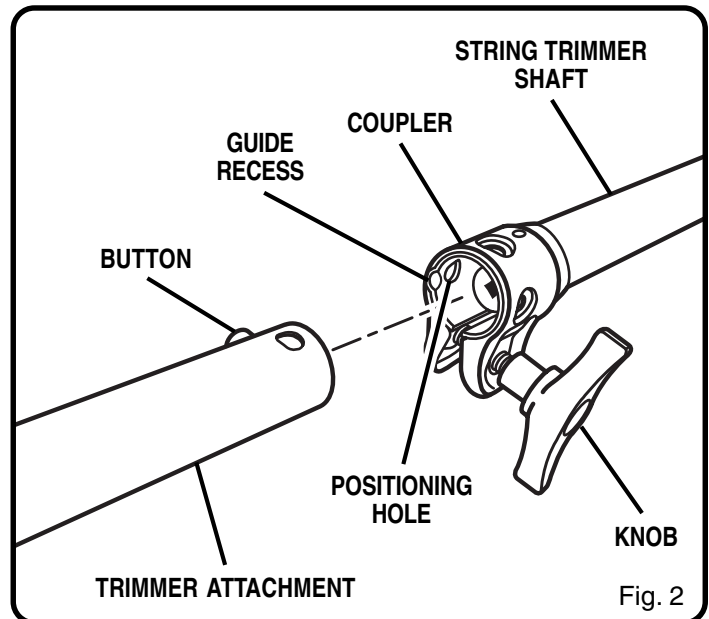
1. Loosen the knob.
2. Push in the button and twist the shafts to remove and separate ends.

## ATTACHING THE STORAGE HANGER

See Figure 3.

There are two ways to hang your attachment for storage.

- To use the hanger cap, push in the button and place the hanger cap over end of the lower end attachment shaft. Slightly rotate the cap from side to side until the button locks into place.
- The secondary hole in the attachment shaft can be used for hanging purposes as well.



# ASSEMBLY

## ATTACHING THE FRONT HANDLE - CS30 AND SS30

See Figure 4.

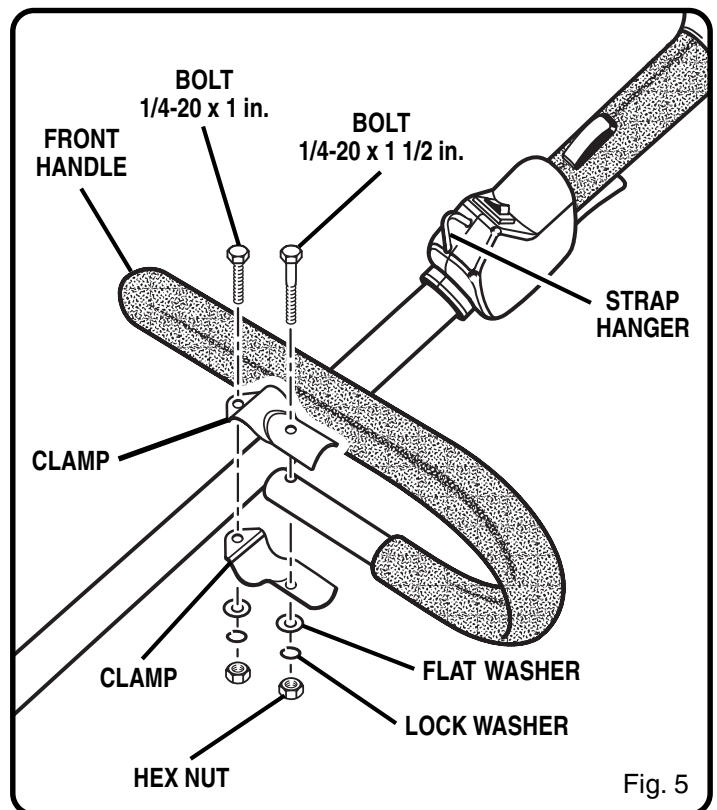
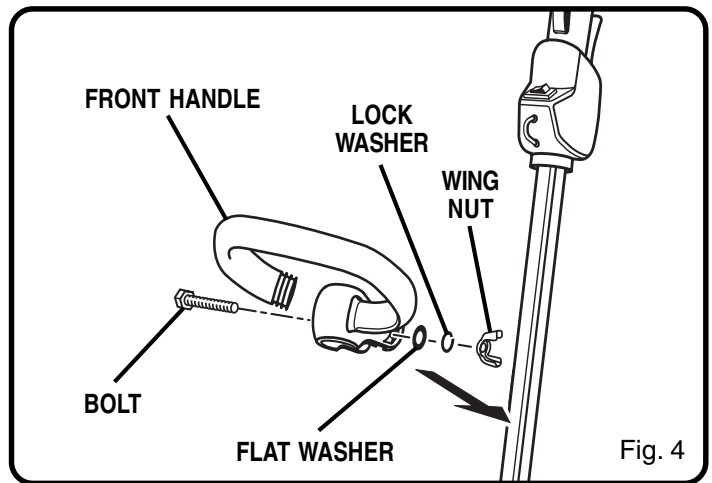
1. Remove the front handle, bolt, flat washer, lock washer, and wing nut from the Owner's Kit.
2. Install the front handle onto the top side of the drive shaft housing and move it to a comfortable position.
3. Place the bolt through the front handle  
**NOTE:** The hex bolt head fits inside the hex recess molded into one side of the handle.
4. Install the flat washer, lock washer, and wing nut.
5. Tighten wing nut securely.

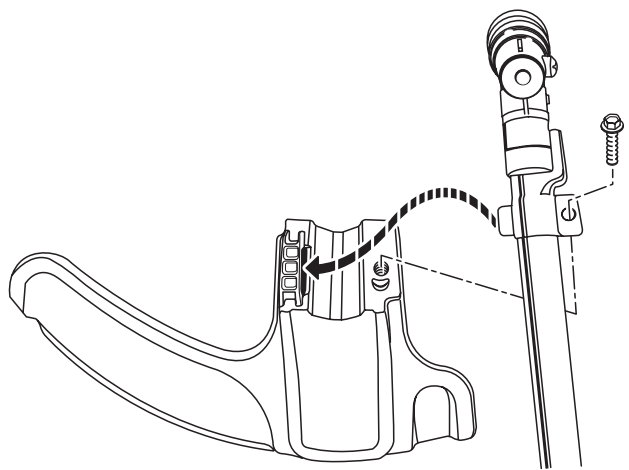
## ATTACHING THE "J" BARRIER HANDLE - BC30

See Figure 5.

A barrier handle must be used for ensuring the best control and maximizing operator safety when using a brushcutter.

1. Hold the top and bottom clamp snugly in position on the shaft housing so that handle will be located to the operator's left.
2. Insert the end of the handle between the clamps.
3. Align the bolt holes and push the long bolt (1/4-20 x 1-1/2 in.) through the handle side.
4. Place short bolt (1/4-20 x 1 in.) through opposite side of clamp. Install flat washer, lock washers and hex nuts to hold the assembly in place.
5. After assembly is complete, adjust the position of the handle for best balance and comfort.
6. Tighten first the long bolt and then the short bolt.





# ASSEMBLY

## ATTACHING THE SHOULDER HARNESS - BC30

See Figure 9.

1. Connect the latch on the shoulder harness to the strap hanger.
2. Adjust the strap to a comfortable position.

## CONVERTING FROM BRUSHCUTTER TO STRING TRIMMER - BC30

To convert from the brushcutter to the string trimmer, remove the blade and brushcutter guard, attach the straight shaft grass deflector and install the string head.

## REMOVING THE TRI-ARC® BLADE AND BRUSHCUTTER GUARD

See Figures 10 and 11.

1. Align the slot in the flanged washer with the slot in the gear head.
2. Place the gear head locking tool through the slot in the flanged washer and gear head.
3. Remove the blade nut by turning it clockwise.
4. Remove the cupped washer and the blade
5. Remove the flanged washer from the gear head shaft and retain it for the string head installation.
6. Remove the three screws securing the brushcutter guard to gear head.
7. Remove the brushcutter guard.

**NOTE:** Store the brushcutter parts together for later use.

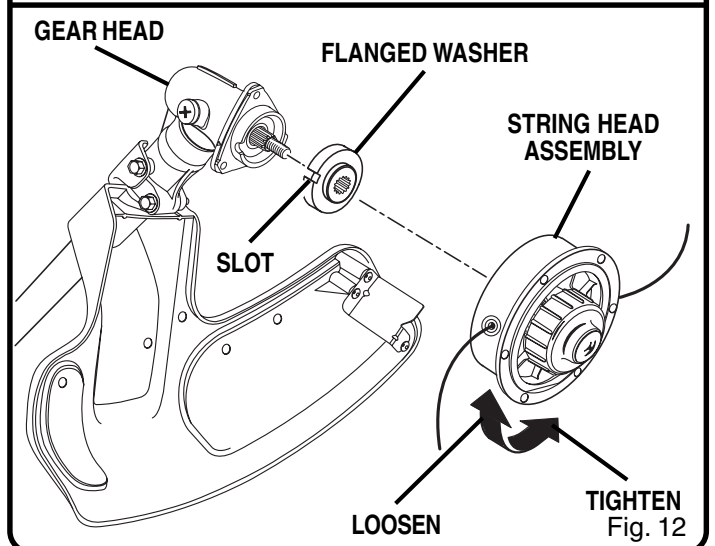
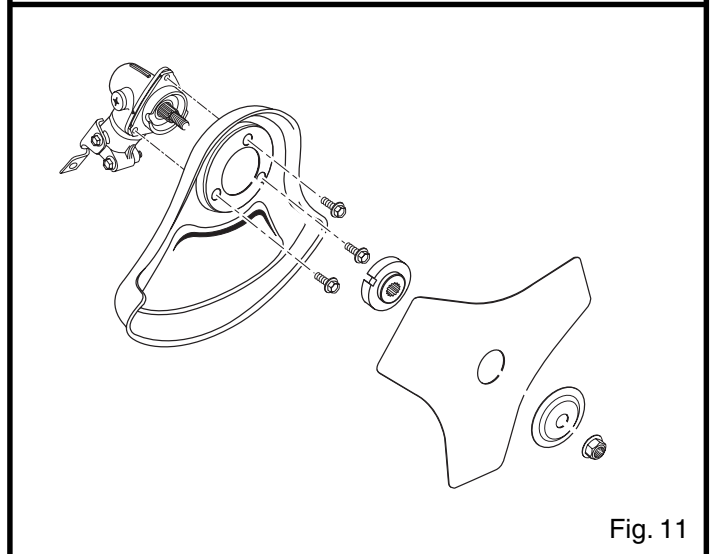
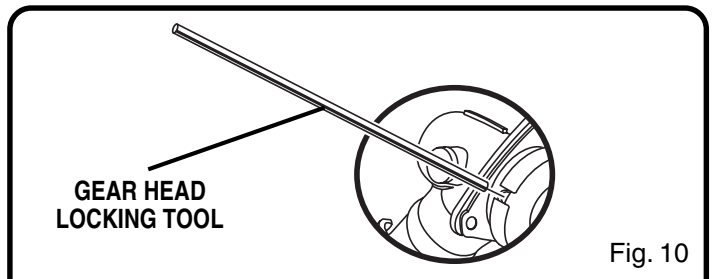
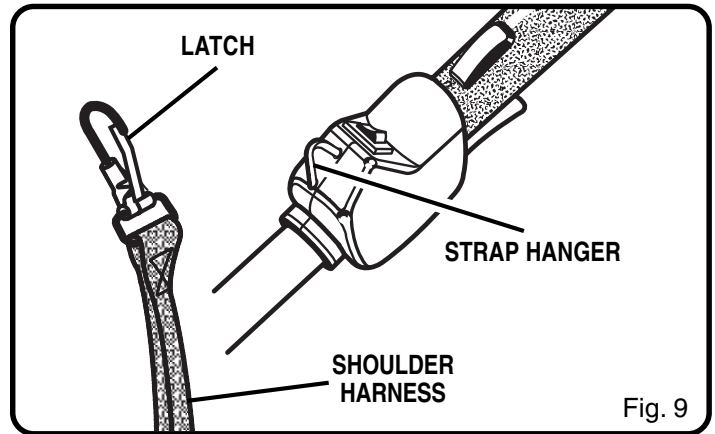
## INSTALLING THE STRAIGHT SHAFT GRASS DEFLECTOR AND STRING HEAD

See Figures 10 and 12.

1. Install the grass deflector. Refer to "To Attach the Straight Shaft Grass Deflector" earlier in this manual.
2. Place the flanged washer on the gear head shaft.

**NOTE:** The hollow side of the flanged washer should face the gear head.

2. Align the slot in the flanged washer with the slot in the gear head.
3. Place the gear head locking tool through the slot in the flanged washer and gear head.
4. Install the string head assembly onto the gear head shaft by turning counterclockwise.
6. Tighten the string head assembly securely.



# ASSEMBLY

## CONVERTING FROM STRING TRIMMER TO BRUSHCUTTER - BC30

To convert from the string trimmer to the brushcutter, remove the string head assembly and straight shaft grass deflector, attach the brushcutter guard and install the blade.

### REMOVING THE STRAIGHT SHAFT GRASS DEFLECTOR AND STRING HEAD

See Figures 10 and 13.

1. Align the slot in the flanged washer with the slot in the gear head.
2. Place the gear head locking tool through the slot in the flanged washer and gear head.
3. Remove the string head assembly.
4. Remove the flanged washer and retain it for the blade installation.
5. Remove the screw securing the grass deflector.
6. Remove the grass deflector.

**NOTE:** Store the string head parts together for later use.

### INSTALLING THE TRI-ARC® BLADE AND BRUSHCUTTER GUARD

See Figures 10 and 14.

1. Install the brushcutter guard. Refer to “Attaching the Brushcutter Guard” earlier in this manual.
2. Place the flanged washer over the gear head shaft with the hollow side toward the brushcutter guard.
3. Center the blade on the flanged washer, making sure the blade fits flat and the raised hub of the flanged washer goes through the hole in the blade.
4. Install the cupped washer with the raised center away from the blade.
5. Place the blade nut onto the gear head shaft.
6. Place the gear head locking tool through the slot in the flanged washer and gear head.
7. Install the blade nut by turning it counterclockwise (left handed threads).
8. Tighten the blade nut securely and torque to 120 in.lbs. minimum (finger tight plus 1/2 turn).

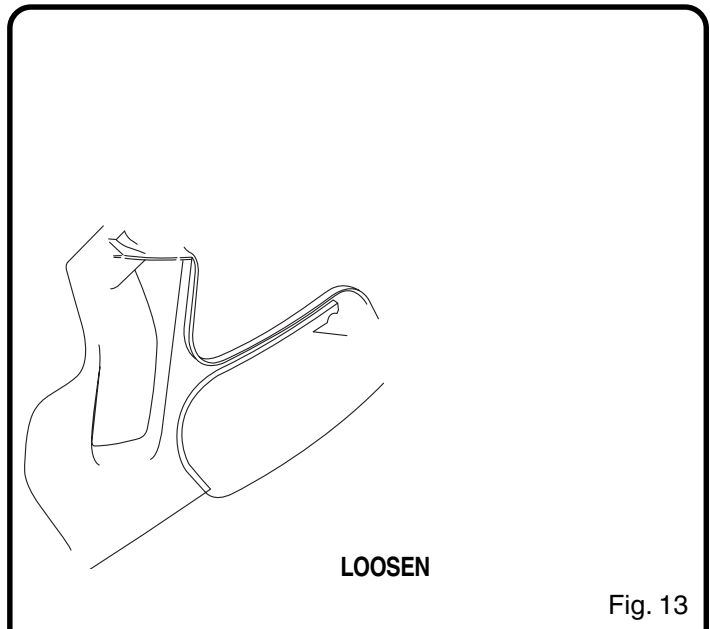


Fig. 13

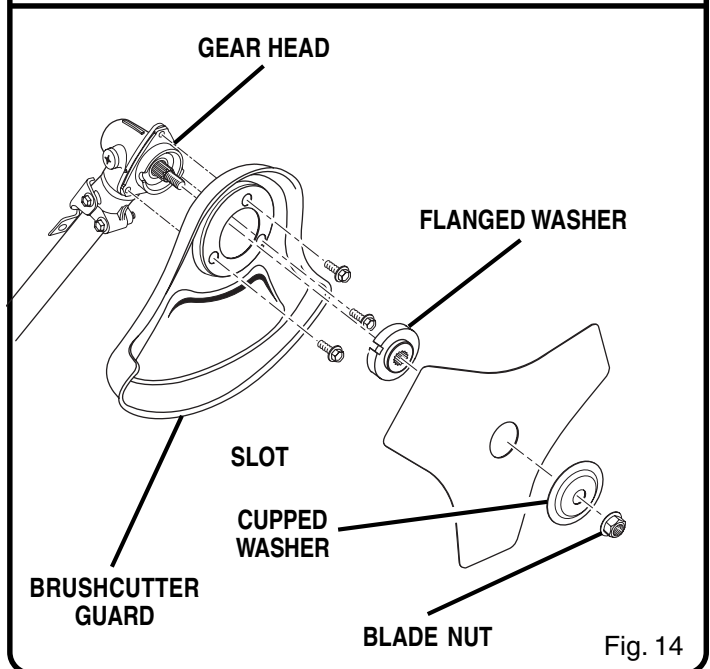


Fig. 14

# OPERATION

## FUELING AND REFUELING THE TRIMMER

### FUEL MIXTURE

This product is powered by a 2-cycle engine and requires pre-mixing gasoline and 2-cycle oil. Pre-mix unleaded gasoline and 2-cycle engine oil in a clean 1 gallon container approved for gasoline.

Recommended fuel: This engine is certified to operate on unleaded gasoline intended for automotive use.

Mix a high quality 2-cycle engine oil at 2.6 oz. per gallon (US).

Do not use automotive oil or 2-cycle outboard oil.

DO NOT mix quantities larger than usable in a 30 day period.

### FUEL MIXTURE

#### HIGH QUALITY 2-CYCLE ENGINE OIL

<u>GASOLINE</u>	<u>OIL</u>
1 gallon (US)	2.6 oz.
1 Liter	20 cc (20 ml)

### FILLING TANK

1. Clean surface around fuel cap to prevent contamination.
2. Loosen fuel cap slowly. Rest the cap on a clean surface.
3. Carefully pour fuel into the tank. Avoid spillage.
4. Prior to replacing the fuel cap, clean and inspect the gasket.
5. Immediately replace fuel cap and hand tighten. Wipe up any fuel spillage.

**NOTE:** It is normal for smoke to be emitted from a new engine after first use.

### WARNING:

Always shut off engine before fueling. Never add fuel to a machine with a running or hot engine. Move at least 30 ft. (9 m) from refueling site before starting engine. Do not smoke!

### OPERATING THE TRIMMER

See Figure 15.

### WARNING:

Always position the unit on the operator's right side. The use of the unit on the operator's left side will expose the user to hot surfaces and can result in possible burn injury.

### WARNING:

To avoid burns from hot surfaces, never operate unit with the bottom of the engine above waist level.

Hold the trimmer with the right hand on the rear handle and the left hand on the front handle. Keep a firm grip with both hands while in operation. Trimmer should be held at a comfortable position with the rear handle about hip height. Always operate trimmer at full throttle. Cut tall grass from the top down. This will prevent grass from wrapping around the shaft housing and string head which may cause damage from overheating. If grass becomes wrapped around the string head, STOP THE ENGINE, disconnect the spark plug wire, and remove the grass. Prolonged cutting at partial throttle will result in oil dripping from the muffler.

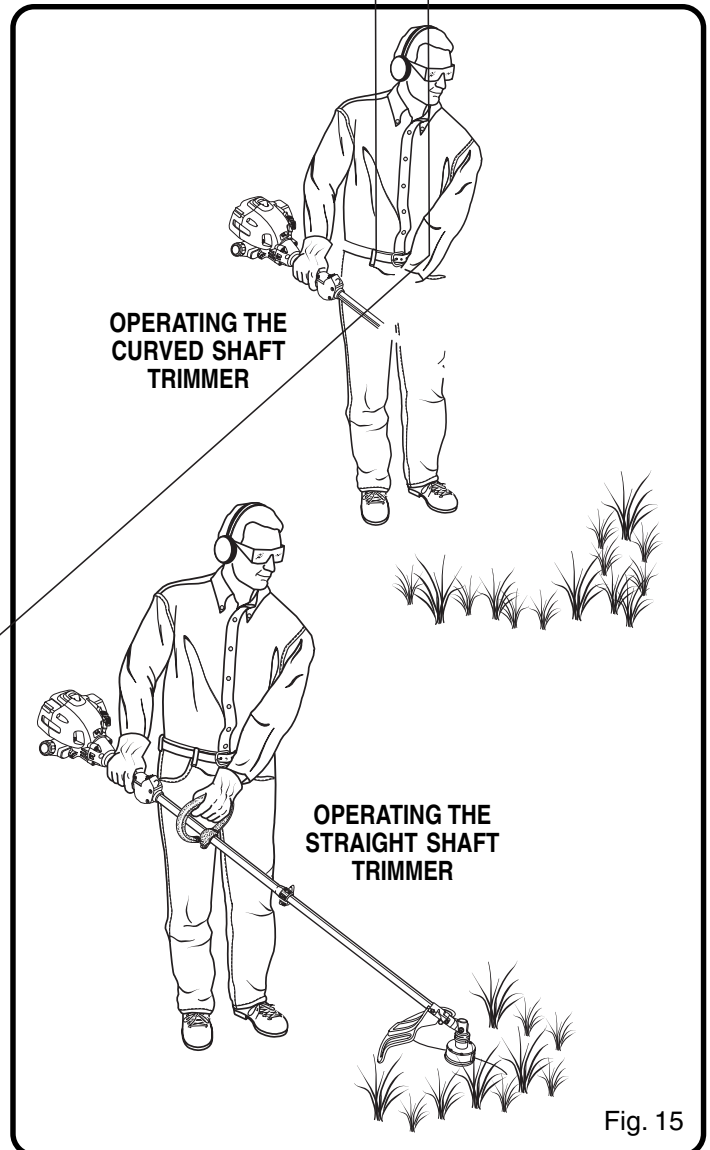


Fig. 15

# OPERATION

## TO ADVANCE THE CUTTING LINE

String advance is controlled by tapping the string head on grass while running engine at full throttle.

1. Run engine at full throttle.
2. Tap the spool retainer on ground to advance string. The string advances each time the spool retainer is tapped. Do not hold the spool retainer on the ground.

**NOTE:** The line trimming cut-off blade on the grass deflector will cut the line to the correct length.

**NOTE:** If the string is worn too short you may not be able to advance the string by tapping it on the ground. If so, stop the engine, and manually advance the string.

## TO ADVANCE THE CUTTING LINE MANUALLY

Push the spool retainer down while pulling on string(s) to manually advance the string.

## CUTTING TIPS

See Figures 16 and 17.

- Keep the trimmer tilted toward the area being cut; this is the best cutting area.
- The curved shaft trimmer cuts when passing the unit from right to left. The straight shaft trimmer cuts when passing the unit from left to right. This will avoid throwing debris at the operator. Avoid cutting in the dangerous area shown in Figures 16 and 17.
- Use the tip of string to do the cutting; do not force string head into uncut grass.
- Wire and picket fences cause extra string wear, even breakage. Stone and brick walls, curbs, and wood may wear string rapidly.
- Avoid trees and shrubs. Tree bark, wood moldings, siding, and fence posts can easily be damaged by the string.

## GRASS DEFLECTOR LINE TRIMMING CUT-OFF BLADE

See Figure 18.

The trimmer is equipped with a line trimming cut-off blade on the grass deflector. For best cutting, advance string until it is trimmed to length by the cut-off blade. Advance the string whenever you hear the engine running faster than normal, or when trimming efficiency diminishes. This will maintain best performance and keep the string long enough to advance properly.

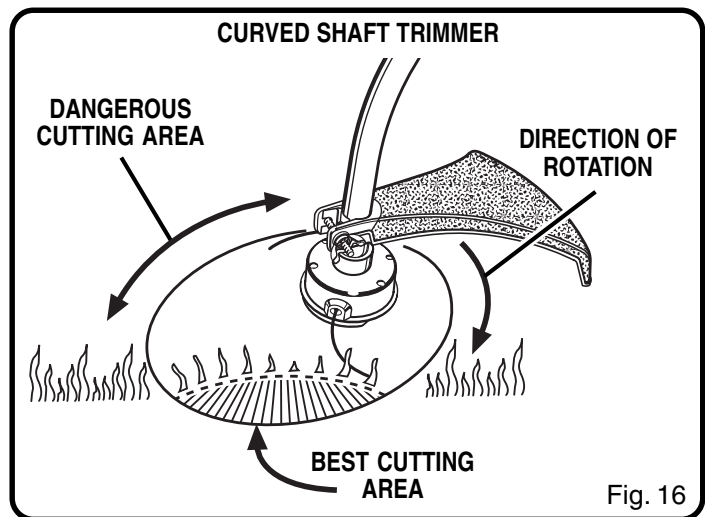


Fig. 16

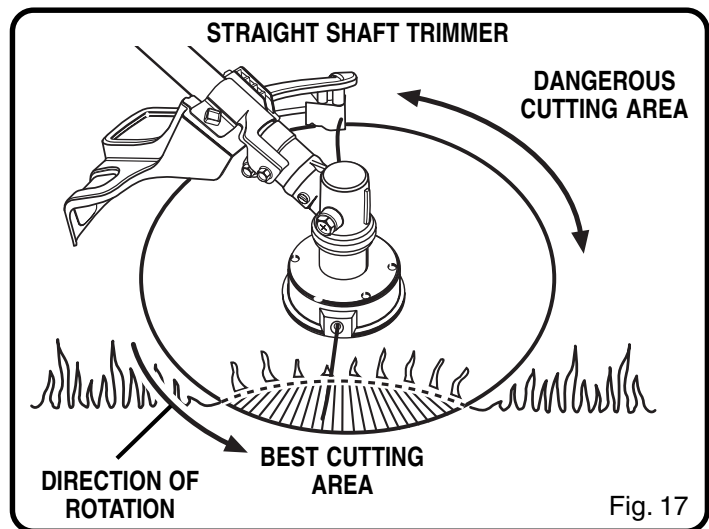


Fig. 17

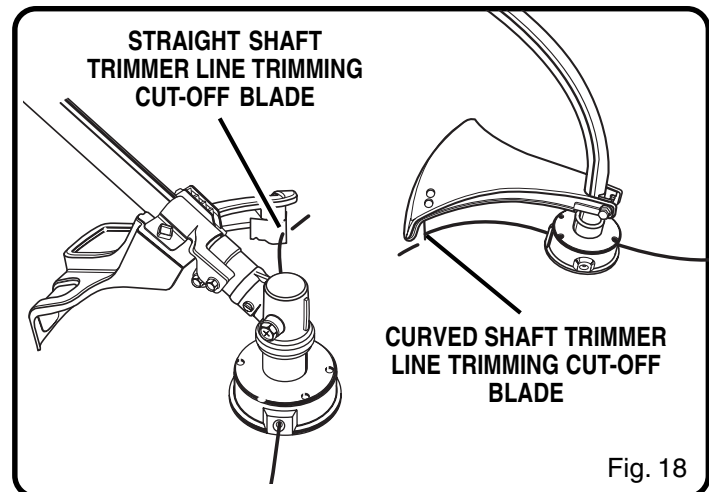


Fig. 18



• 2

# OPERATION

## STARTING AND STOPPING

See Figures 21, 22, and 23.

Trimmer should be on a flat, bare surface for starting.

1. Slowly press the primer bulb seven (7) times.
2. Set the choke lever to the **FULL CHOKE** position (A).
3. Squeeze the throttle trigger fully and pull starter handle sharply until engine attempts to run. Do not pull the starter handle more than eight (8) times.

**NOTE:** Keep throttle trigger squeezed fully through STEP 6.

4. Set the choke lever to the **HALF CHOKE** position (B).
5. Pull the starter handle until the engine runs. Do not pull the starter handle more than six (6) times.
6. Allow the engine to run for 15 seconds, then set the choke lever to the **RUN** position (C).

### TO STOP THE ENGINE:

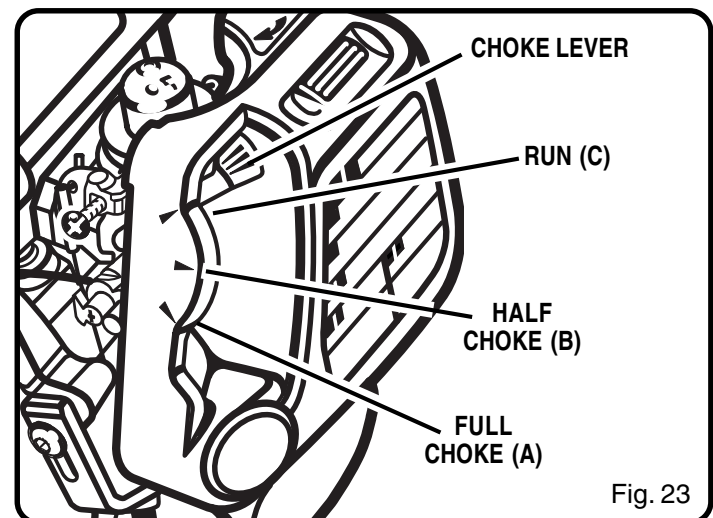
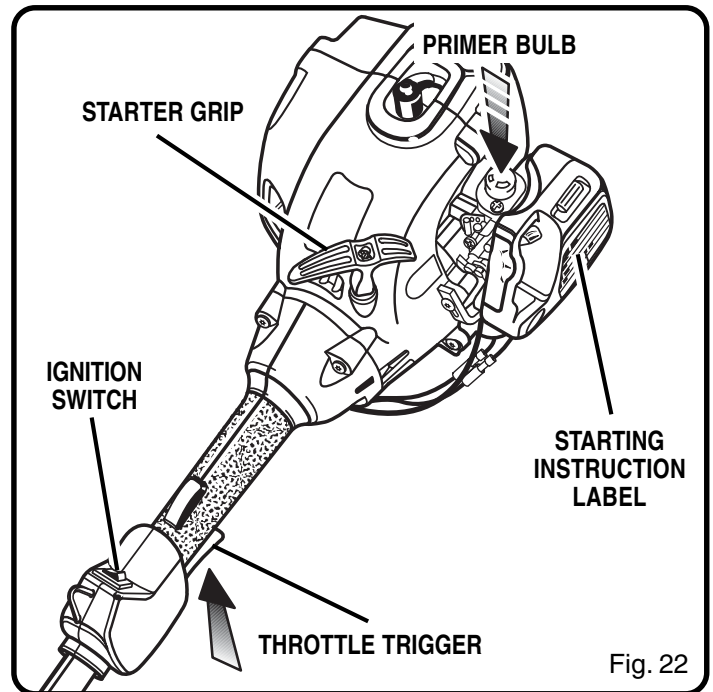
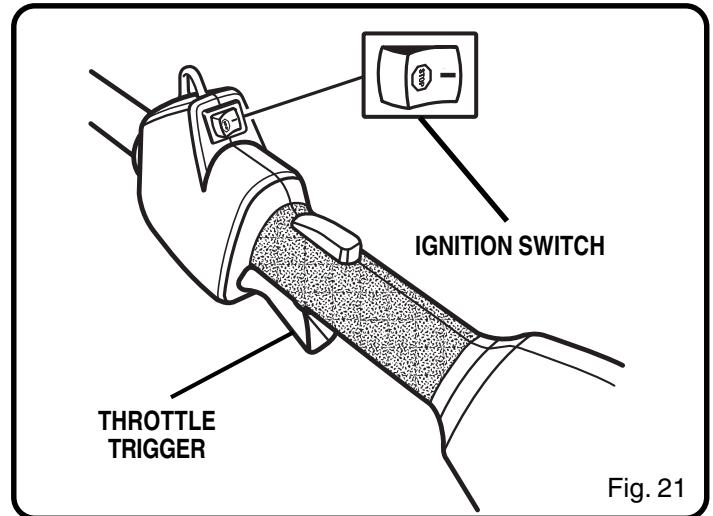
See Figure 21.

To stop the engine, depress the switch to the stop position "STOP".

### IF ASSISTANCE IS REQUIRED FOR THIS PRODUCT:

Do not return this product to the retail store where it was purchased. Please call our Customer Service Department for any issues you may have.

**For Help Call: 1-800-860-4050**



# MAINTENANCE



## WARNING:

Use only original manufacturer's replacement parts, accessories and attachments. Failure to do so can cause poor performance, possible injury and may void your warranty.

You can often make adjustments and repairs described here. For other repairs, have the trimmer serviced by an authorized service dealer.

## SPOOL REPLACEMENT

### NEW PREWOUND SPOOL

See Figures 24 and 25.

If replacing string only, refer to "String Replacement" later in this manual.

Use only monofilament string. Use original manufacturer's replacement string for best performance.

#### String Diameter:

CS30 - .080 in. (2.0 mm)

SS30 - .095 in. (2.4 mm)

BC30 - .095 in. (2.4 mm)

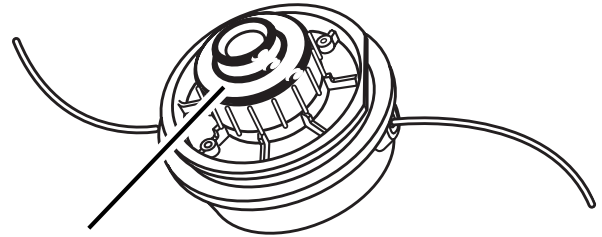
1. Stop the engine, disconnect the spark plug wire. Hold the string head and unscrew the spool retainer.

#### To remove the spool retainer:

Turn the spool retainer counterclockwise for models CS30.

Turn the spool retainer clockwise for models SS30 and BC30.

2. Remove the empty spool from the string head. Keep the spring attached to the spool.
3. To install the new spool, make sure the two strings are captured in the slots opposite each other on the new spool. Make sure the ends of each string is extended approximately 6 in. (152 mm) beyond each slot.
4. Thread the strings into the eyelets in the string head. Carefully push the spool into the string head (gently pull the strings to the outside if necessary). When the spool is positioned in the string head, grasp the strings and pull sharply to release them from the slots in the spool.
5. Push down and turn the spool counterclockwise until it no longer turns. Hold the spool down and rotate clockwise a small amount. Release the spool. The spool should be locked down in the string head. If not, hold down and rotate until locked.



SPOOL  
RETAINER

Fig. 24

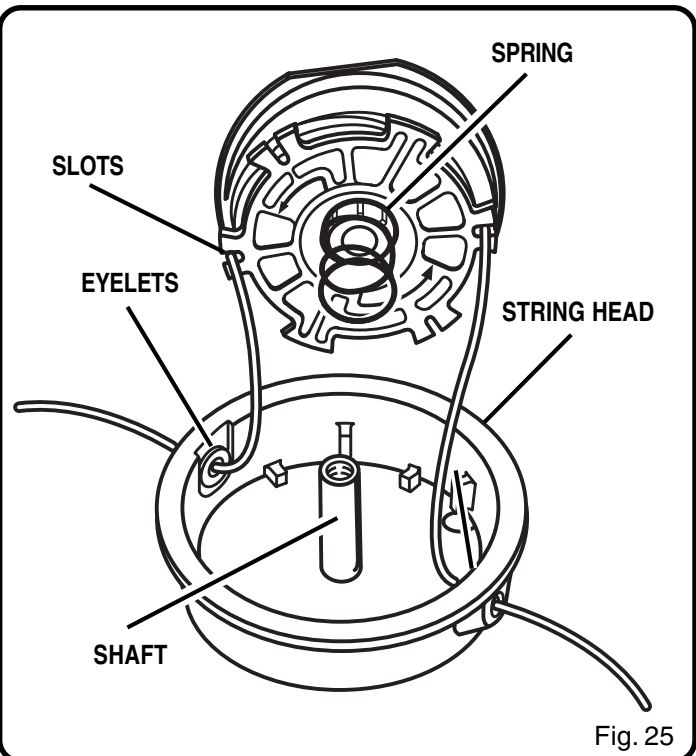


Fig. 25

6. Make sure the string head and the spool retainer are installed on the drive shaft.

#### To install the spool retainer:

Turn the spool retainer clockwise for models CS30.

Turn the spool retainer counterclockwise for models SS30 and BC30.

7. Pull the strings again to rotate the spool into cutting position. Push the spool retainer down while pulling on string(s) to manually advance the string and to check for proper assembly of the string head.

# MAINTENANCE

## STRING REPLACEMENT

See Figures 26, 27, and 28.

Use only monofilament string. Use original manufacturer's replacement string for best performance.

### String Diameter:

CS30 - .080 in. (2.0 mm)

SS30 - .095 in. (2.4 mm)

BC30 - .095 in. (2.4 mm)

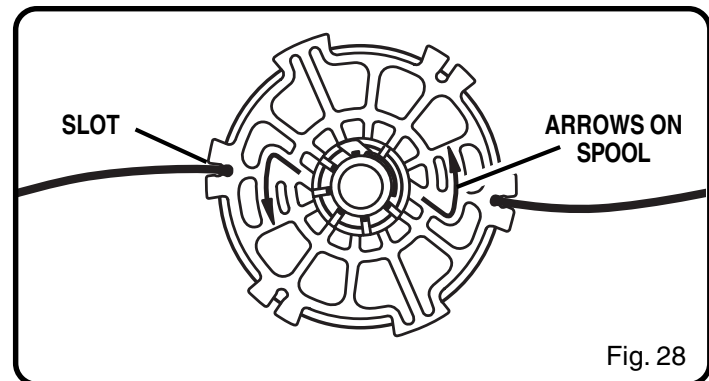
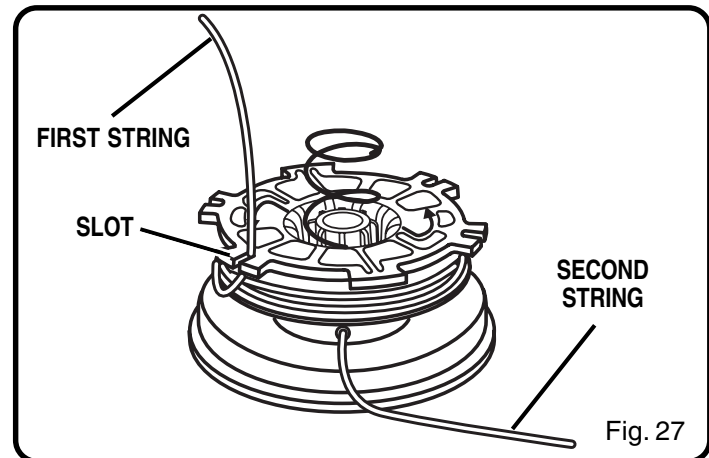
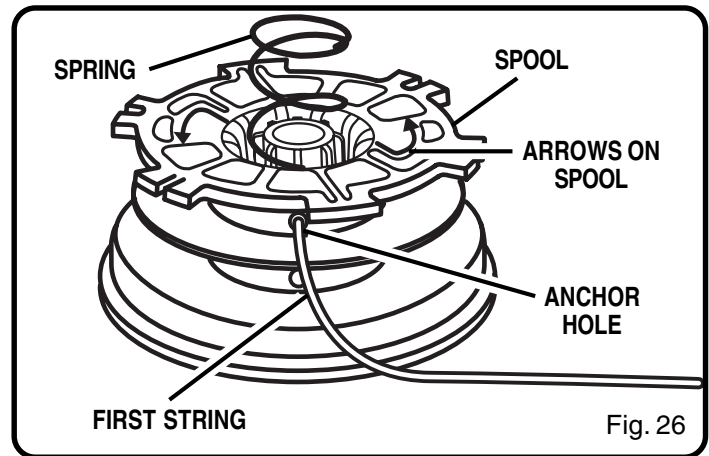
1. Stop the engine, disconnect the spark plug wire. Hold the string head and unscrew the spool retainer.

### To remove the spool retainer:

Turn the spool retainer counterclockwise for models CS30.

Turn the spool retainer clockwise for models SS30 and BC30.

2. Remove the spool from the string head.  
**NOTE:** Keep the spring attached to the spool. Remove any old string remaining on the spool.
3. Cut two pieces of string, each being approximately 9 ft. (2.7 m) long.
4. Insert the first string into the anchor hole in the upper part of the spool. Wind the first string around the upper part of the spool counterclockwise, as shown by the arrows on the spool. Place string in the slot on upper spool flange, leaving about 6 in. (152 mm) extended beyond the slot. Do not overfill. After winding the string, there should be at least 1/4 in. (6 mm) between the wound string and the outside edge of the spool.
5. Repeat above step with second string, using the bottom part of spool. Do not overfill.
6. Replace the spool and the spool retainer. Refer to "Spool Replacement" earlier in this manual.



# MAINTENANCE

## CLEANING THE EXHAUST PORT AND MUFFLER

Depending on the type of fuel used, the type and amount of oil used, and/or your operating conditions, the exhaust port and muffler may become blocked with carbon deposits. If you notice a power loss with your gas powered tool, a qualified service technician will need to remove these deposits to restore performance.

## SPARK ARRESTOR

The spark arrestor must be cleaned or replaced every 25 hours or yearly to ensure proper performance of your product. Spark arrestors may be in different locations depending on the model purchased. Please contact your nearest service dealer for the location of the spark arrestor for your model.

### Cleaning Instructions:

- Remove the spark arrestor from the muffler.
- If your spark arrestor is made of a fiberglass material, discard and replace.
- If your spark arrestor is made of a metal material follow these cleaning instructions:
  1. Spray the spark arrestor with a quality carbon cleaner.
  2. Gently clean using a wire brush.
  3. Install the new or cleaned spark arrestor and reassemble completely before use.

## REPLACING AND CLEANING AIR FILTER

See Figures 29 and 30.

For proper performance and long life, keep air filter clean.

- 1 Remove the air filter cover by pushing down on the latch with your thumb while gently pulling on the cover.
- 2 Remove the filter, clean it in warm soapy water. Rinse and let dry completely. For best performance, replace annually.
- 3 Reinstall the filter.
- 4 Replace the air filter cover by inserting the tabs on the bottom of the cover into the slots on the air filter base; push the cover up until it latches securely in place.

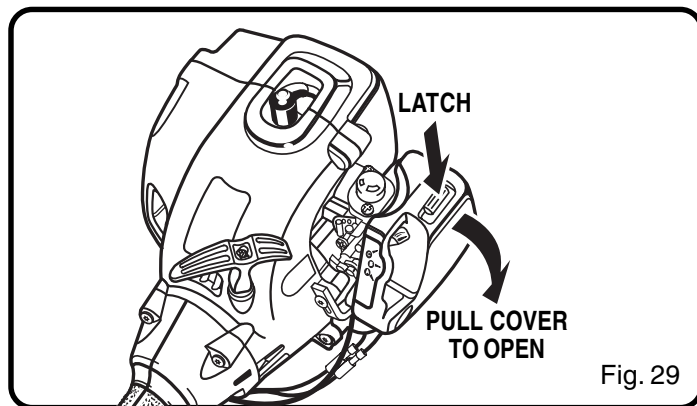


Fig. 29

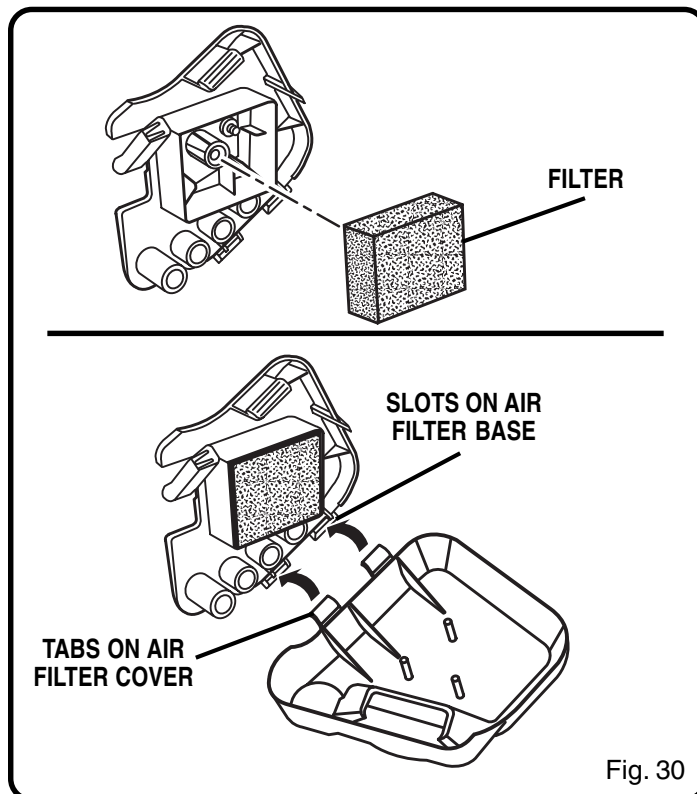


Fig. 30

# MAINTENANCE

## FUEL CAP



### **WARNING:**

A leaking fuel cap is a fire hazard and must be replaced immediately.

The fuel cap contains a non-serviceable filter and a check valve. A clogged fuel filter will cause poor engine performance. If performance improves when the fuel cap is loosened, check valve may be faulty or filter clogged. Replace fuel cap if required.

## SPARK PLUG

This engine uses a Champion RCJ-6Y with 0,63 mm (.025 in.) electrode gap. Use an exact replacement and replace annually.

## STORAGE (1 MONTH OR LONGER)

1. Drain all fuel from tank into a container approved for gasoline. Run engine until it stops.
2. Clean all foreign material from the trimmer. Store it in a well-ventilated place that is inaccessible to children. Keep away from corrosive agents such as garden chemicals and de-icing salts.
3. Abide by all ISO and local regulations for the safe storage and handling of gasoline. Excess fuel should be used up in other 2-cycle engine powered equipment.

# TROUBLESHOOTING

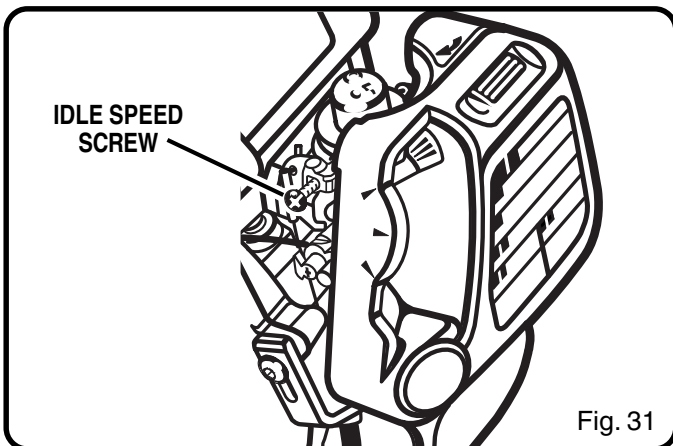
IF THESE SOLUTIONS DO NOT SOLVE THE PROBLEM CONTACT YOUR AUTHORIZED SERVICE DEALER.

PROBLEM	POSSIBLE CAUSE	SOLUTION
Engine will not start:	<ol style="list-style-type: none"> <li>1. No spark.</li> <li>2. No fuel.</li> <li>3. Engine is flooded.</li> <li>4. Starter rope pulls harder now than when new.</li> </ol>	<ol style="list-style-type: none"> <li>1. Check spark. Remove spark plug. Reattach the spark plug cap and lay spark plug on metal cylinder. Pull the starter rope and watch for spark at spark plug tip. If there is no spark, repeat test with a new spark plug.</li> <li>2. Push primer bulb until bulb is full of fuel. If bulb does not fill, primary fuel delivery system is blocked. Contact a servicing dealer. If primer bulb fills, engine may be flooded, proceed to next item.</li> <li>3. Remove spark plug, turn trimmer so spark plug hole is aimed at the ground. Move choke lever to "RUN" and pull starter cord 10 to 15 times. This will clear excess fuel from engine. Clean and reinstall spark plug. Pull starter three times with choke lever at "RUN". If engine does not start, move choke lever to "CHOKE" and repeat normal starting procedure. If engine still fails to start, repeat procedure with a new spark plug.</li> <li>4. Contact a servicing dealer.</li> </ol>
Engine starts but will not accelerate:	Engine requires approximately three minutes to warm up.	Allow engine to completely warm up. If engine does not accelerate after three minutes, contact a servicing dealer.
Engine starts but will only run at high speed at half choke:	Carburetor requires adjustment.	Contact a servicing dealer.
Engine does not reach full speed and emits excessive smoke:	<ol style="list-style-type: none"> <li>1. Check oil fuel mixture.</li> <li>2. Air filter is dirty.</li> <li>3. Spark arrestor screen is dirty.</li> </ol>	<ol style="list-style-type: none"> <li>1. Use fresh fuel and the correct 2-cycle oil mix.</li> <li>2. Clean air filter. Refer to "Replacing and Cleaning Air Filter" earlier in this manual.</li> <li>3. Contact a servicing dealer.</li> </ol>
Engine starts, runs, and accelerates but will not idle:	Idle speed screw on carburetor needs adjustment.	Turn idle speed screw clockwise to increase idle speed. <i>See Figure 31.</i>

# TROUBLESHOOTING

IF THESE SOLUTIONS DO NOT SOLVE THE PROBLEM CONTACT YOUR AUTHORIZED SERVICE DEALER.

PROBLEM	POSSIBLE CAUSE	SOLUTION
String will not advance when using the EZ Line™ tap advance system:	<ol style="list-style-type: none"><li>1. String is welded to itself.</li><li>2. Not enough string on spool.</li><li>3. String is worn too short.</li><li>4. String is tangled on spool.</li><li>5. Engine speed is too slow.</li></ol>	<ol style="list-style-type: none"><li>1. Lubricate with silicone spray.</li><li>2. Install more string. Refer to “String Replacement” earlier in this manual.</li><li>3. Pull strings while alternately pressing down on and releasing spool retainer.</li><li>4. Remove string from spool and rewind Refer to “String Replacement” earlier in this manual.</li><li>5. Advance string at full throttle.</li></ol>
Spool retainer hard to turn when using EZ Line™ tap advance system:	<ol style="list-style-type: none"><li>1. Screw threads are dirty or damaged.</li></ol>	<ol style="list-style-type: none"><li>1. Clean threads and lubricate with grease - if no improvement, replace the spool retainer.</li></ol>
Grass wraps around driveshaft housing and string head:	<ol style="list-style-type: none"><li>1. Cutting tall grass at ground level.</li><li>2. Operating trimmer at part throttle.</li></ol>	<ol style="list-style-type: none"><li>1. Cut tall grass from the top down to prevent wrapping.</li><li>2. Operate trimmer at full throttle.</li></ol>
Oil drips from muffler:	<ol style="list-style-type: none"><li>1. Operating trimmer at part throttle</li><li>2. Check oil/fuel mixture.</li><li>3. Air filter dirty.</li></ol>	<ol style="list-style-type: none"><li>1. Operate trimmer at full throttle.</li><li>2. Use fresh fuel and the correct 2-cycle oil mix</li><li>3. Clean per instruction in Maintenance Section.</li></ol>





# WARRANTY

## **RYOBI TECHNOLOGIES INC. LIMITED WARRANTY FEDERAL AND CALIFORNIA EMISSION CONTROL SYSTEMS NONROAD AND SMALL OFF-ROAD ENGINES**

The U.S. Environmental Protection Agency (EPA), the California Air Resources Board (CARB), and Ryobi Technologies Inc. are pleased to explain the Emission Control System Warranty on your nonroad or small off-road engine. In California, new small off-road engines must be designed, built and equipped to meet the state's stringent anti-smog standards. In other states, new 2000 and later model year nonroad engines must be designed, built and equipped, at the time of sale, to meet the U.S. EPA regulations for small nonroad engines. The nonroad engine must be free from defects in materials and workmanship which cause it to fail to conform with U.S. EPA standards for the first two years of engine use from the date of sale to the ultimate purchaser. Ryobi Technologies Inc. must warrant the emission control system on your nonroad or small off-road engine for the period of time listed above provided there has been no abuse, neglect, or improper maintenance of your nonroad or small off-road engine.

Your emission control system may include parts such as the carburetor or fuel injection system, the ignition system, the catalytic converter. Also included may be hoses, belts, and connectors and other emission related assemblies.

Where a warrantable condition exists, Ryobi Technologies Inc. will repair your nonroad or small off-road engine at no cost to you, including

# WARRANTY

## EMISSIONS MAINTENANCE SCHEDULE AND WARRANTED PARTS LIST

Emissions Parts	Inspect Before Each Use	Clean Every 5 Hours	Replace Every 25 Hours or Yearly	Clean Every 25 Hours or Yearly
-----------------	----------------------------	------------------------	-------------------------------------	-----------------------------------

**AIR FILTER ASSY**

INCLUDES:

FILTER ..... X..... X

**SPARK SCREEN** ..... X

**CARBURETOR ASSY**

INCLUDES:

HEAT DAM

GASKETS

**FUEL TANK ASSY**

INCLUDES:

FUEL LINES ..... X

FUEL CAP ..... X

FUEL FILTER

**IGNITION ASSY**

INCLUDES:

SPARK PLUG ..... X

ALL EMISSIONS - RELATED PARTS ARE WARRANTED FOR TWO YEARS OR FOR THE PERIOD OF TIME PRIOR TO THE PARTS FIRST SCHEDULED REPLACEMENT WHICH EVER COMES FIRST.





# OPERATOR'S MANUAL

## 30cc String Trimmers and Brushcutter RY30000 Series

CS30 - RY30000, RY30000A, RY30021, RY30021A

SS30 - RY30002, RY30002A, RY30041, RY30041A

BC30 - RY30004, RY30004A, RY30061, RY30061A

- **SERVICE**

Now that you have purchased your tool, should a need ever exist for repair parts or service, simply contact your nearest Ryobi Authorized Service Center. Be sure to provide all pertinent facts when you call or visit. Please call 1-800-860-4050 for your nearest Ryobi Authorized Service Center.

- **MODEL NO. AND SERIAL NO.**

The model number of this tool will be found on a plate attached to the motor housing. Please record the model number and serial number in the space provided below.

- **HOW TO ORDER REPAIR PARTS**

WHEN ORDERING REPAIR PARTS,  
ALWAYS GIVE THE FOLLOWING INFORMATION:

- MODEL NUMBER \_\_\_\_\_
- SERIAL NUMBER \_\_\_\_\_

### RYOBI TECHNOLOGIES INC.

1428 Pearman Dairy Road Anderson, SC 29625

Post Office Box 1207 Anderson, SC 29622

Phone 1-800-860-4050

## Free Manuals Download Website

<http://myh66.com>

<http://usermanuals.us>

<http://www.somanuals.com>

<http://www.4manuals.cc>

<http://www.manual-lib.com>

<http://www.404manual.com>

<http://www.luxmanual.com>

<http://aubethermostatmanual.com>

Golf course search by state

<http://golfingnear.com>

Email search by domain

<http://emailbydomain.com>

Auto manuals search

<http://auto.somanuals.com>

TV manuals search

<http://tv.somanuals.com>