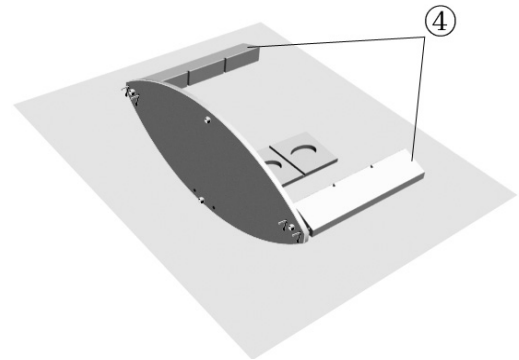
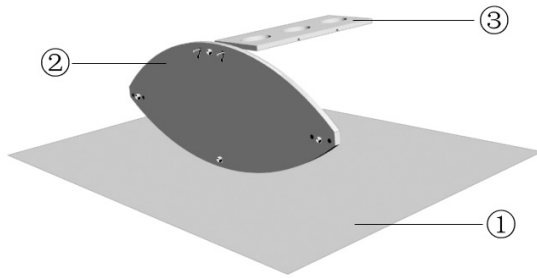


# SCEPTRE

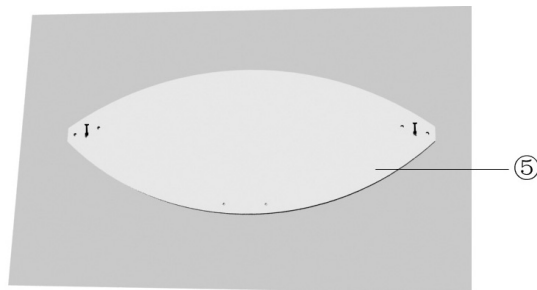
DELLO II (42" W x 17" D x 24" H)

## Assembly Instruction

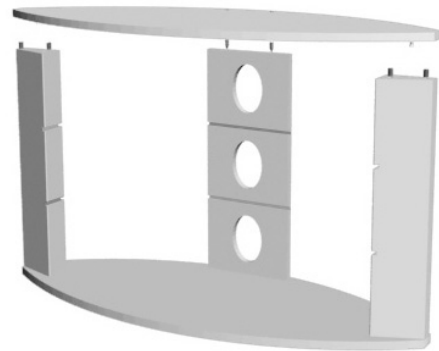
- 1** Use two screws (F) to attach bottom panel (D) and back panel (B)
- 2** Use four screws (I) to attach bottom panel to side legs (C)



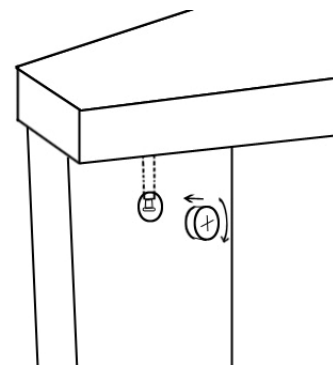
- 3** Insert two metal pegs (G) into Top Panel (A)



- 4** Insert four wooden dowels (H) into side legs and peg lock (G) into back of side legs as shown on Step 5



- 5** Insert peg lock (G) into side legs. Turn clockwise until tight as shown on the right diagram



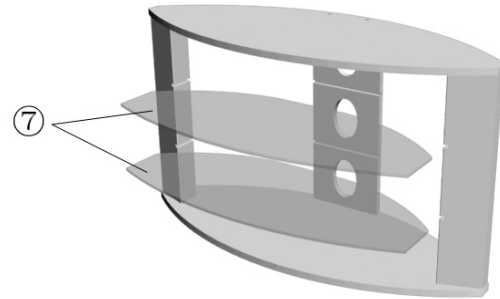
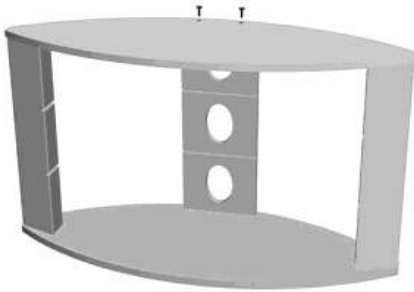
Turn clockwise until tight

# SCEPTRE

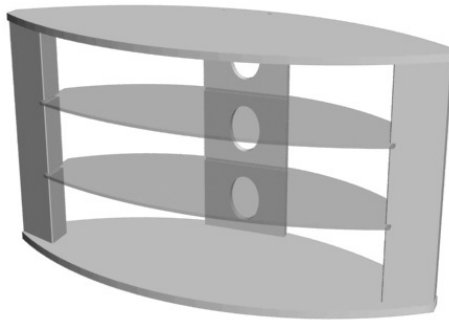
DELLO II (42"W x 17" D x 24" H)

## Assembly Instruction

- 6** Use two screws (F) to attach top panel to the back panel
- 7** Slide two glass shelves (E) into precut shelf guides on the side legs



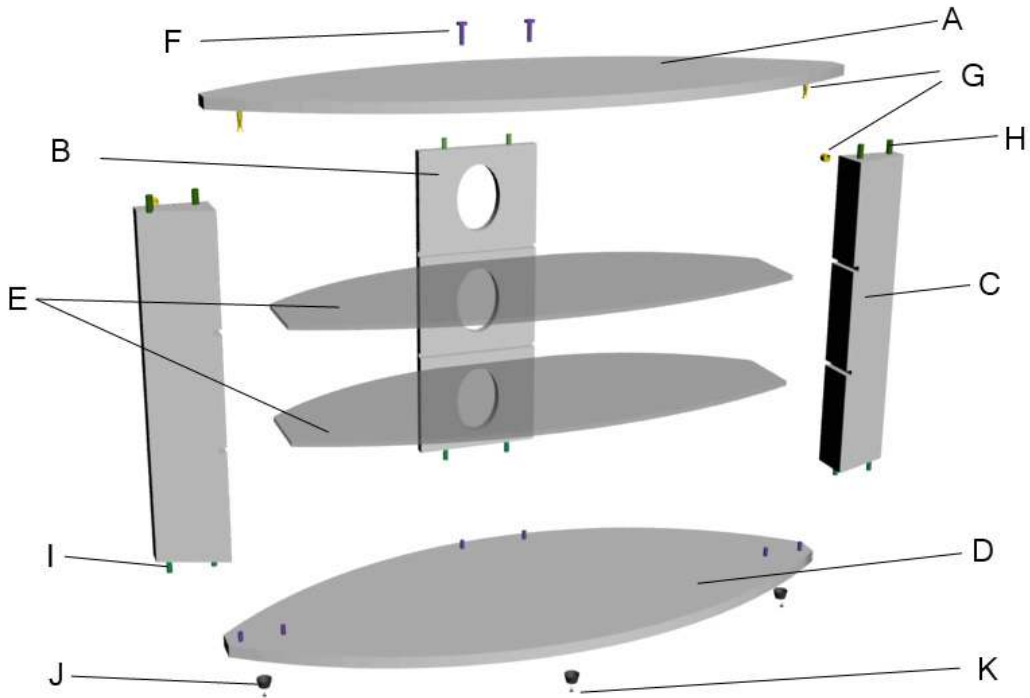
- 8** Your Dello II stand is now finished and should resemble the image below



# SCEPTRE

DELLO II (42"W x 17" D x 24" H)

## Assembly Instruction



Item	Name	Spec	Qty	Remarks
A	Top Panel	MDF	1	
B	Back Panel	MDF	1	
C	Side Leg	MDF	2	
D	Bottom Panel	MDF	1	
E	Glass Shelf		2	
F	Screw M5 x 19		8	
G	Metal Peg & Peg Lock		2	
H	Wooden Dowel		4	
I	Screw Insert M8 x 40		8	Pre-install
J	Rubber feet		4	Pre-install
K	Small Screw M4 x 19		4	Pre-install

## Free Manuals Download Website

<http://myh66.com>

<http://usermanuals.us>

<http://www.somanuals.com>

<http://www.4manuals.cc>

<http://www.manual-lib.com>

<http://www.404manual.com>

<http://www.luxmanual.com>

<http://aubethermostatmanual.com>

Golf course search by state

<http://golfingnear.com>

Email search by domain

<http://emailbydomain.com>

Auto manuals search

<http://auto.somanuals.com>

TV manuals search

<http://tv.somanuals.com>