



swisherinc.com

## OWNER'S MANUAL

**MODEL NO.**

**RT105441**

**RT800441**

**POL10544HD**

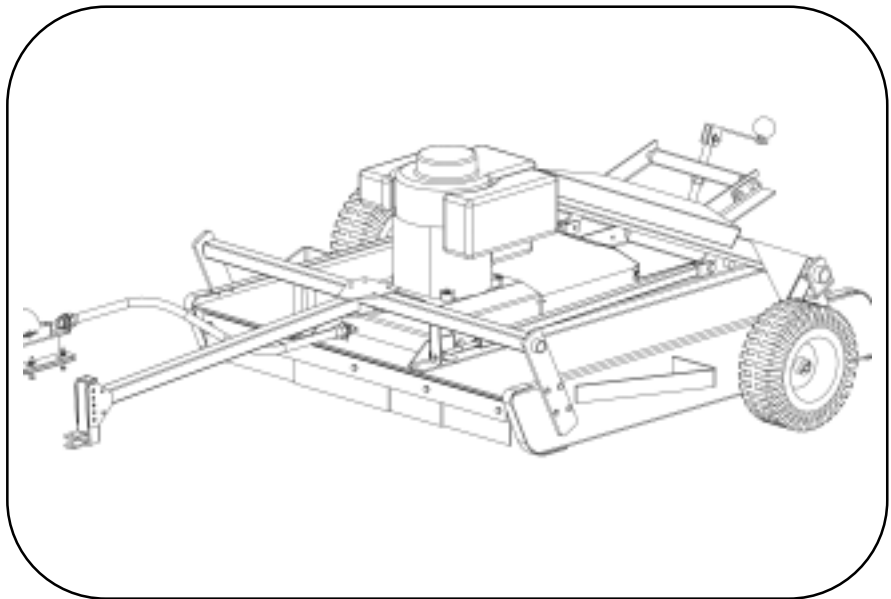
**RTB105441**



**CAUTION:**

**Read and follow all  
Safety Rules and  
Instructions Before  
Operating This  
Equipment**

Rev. 09.25.03



# 44" ROUGH CUT TRAILMOWER

**Assembly  
Operation  
Service and Adjustment  
Repair Parts**



1602 CORPORATE DRIVE, P.O. BOX 67, WARRENSBURG, MISSOURI 64093  
PHONE (660) 747-8183 FAX (660) 747-8650

**Manufacturing quality lawn care equipment since 1945**

*Made In The*

**USA**

ONRT44

## LIMITED WARRANTY

The manufacturer's warranty to the original consumer purchaser is: This product is free from defects in materials and workmanship for a period of one (1) year from the date of purchase by the original consumer purchaser. We will repair or replace, at our discretion, parts found to be defective due to materials or workmanship. This warranty is subject to the following limitations and exclusions:

- 1) Engine Warranty                      All engines utilized on our products have a separate warranty extended to them by the individual engine manufacturer. Any engine service difficulty is the responsibility of the engine manufacturer and in no way is Swisher Mower Co., Inc. or its agents responsible for the engine warranty. The Briggs & Stratton Engine Service Hot-Line is 1-800-233-3723. The Tecumseh Engine Service Hot-Line is 1-800-558-5402.
  
- 2) Commercial Use                      The warranty period for any product used for commercial or rental is limited to ninety (90) days from the date of original purchase.
  
- 3) Limitations                            This warranty applies only to products which have been properly assembled, adjusted, and operated in accordance with the instructions contained within this manual. This warranty does not apply to any product of Swisher Mower Co., Inc., that has been subject to alteration, misuse, abuse, improper assembly or installation, shipping damage, or to normal wear of the product.
  
- 4) Exclusions                              Excluded from this warranty are normal wear, normal adjustments, and normal maintenance.

In the event you have a claim under this warranty, you must return the product to an authorized service dealer. All transportation charges, damage, or loss incurred during transportation of parts submitted for replacement or repair under this warranty shall be borne by the purchaser. Should you have any questions concerning this warranty, please contact us toll-free at 1-800-748-7108. The model number, serial number, date of purchase, and the name of the authorized Swisher dealer from whom you purchased the mower will be needed before any warranty claim can be processed.

**THIS WARRANTY DOES NOT APPLY TO ANY INCIDENTAL OR CONSEQUENTIAL DAMAGES AND ANY IMPLIED WARRANTIES ARE LIMITED TO THE SAME TIME PERIODS STATED HEREIN FOR ALL EXPRESSED WARRANTIES.** Some states do not allow the limitation of consequential damages or limitations on how long an implied warranty may last, so the above limitations or exclusions may not apply to you. This warranty gives you specific legal rights and you may have other rights, which vary from state-to-state. This is a limited warranty as defined by the Magnuson-Moss Act of 1975.

## SAFETY PRECAUTIONS



**This Safety Alert Symbol indicates important messages in this manual. When you see this symbol, carefully read the message that follows and be alert to the possibility of personal injury.**

**Read this manual completely. This machine can amputate hands, feet, and throw objects. Failure to observe the following safety instructions could result in serious injury or death.**

- Read the manual. Learn to operate this machine safely.
- Always disconnect the spark plug wire and place the wire where it cannot contact the spark plug, to prevent accidental starting the engine when setting up, transporting, adjusting or making repairs.
- Keep all shields and guards in place.
- Understand the speed, steering and stability of this machine. Know the positions and operations of all controls before you operate this machine. Check all of the controls in a safe area before starting to work with this machine.
- Allow only responsible adults who are familiar with these instructions to operate this machine. Never allow children to operate this machine.
- Clear the area of objects such as rocks, toys, wire, etc. that can be picked up and thrown by the blade.
- Be sure the area is clear of other people before mowing. Be aware of the mower discharge direction and do not point at anyone. Stop the machine if anyone enters the mowing area. Children are often attracted to the machine and the mowing activity. ***Never assume that children will remain where you last saw them.*** Keep children under the watchful care of another responsible adult.
- **No riders!**
- Do not put hands or feet near or under rotating parts. Keep clear of the discharge opening at all times.
- Do not mow in reverse. Always look down and behind before and while backing.

- Turn off the blades when not mowing. Before leaving the machine, turn off the blades and stop the engine.
- Watch for traffic when operating near or crossing roadways.
- Do not operate the mower if it has been dropped or damaged in any manner or if the mower vibrates excessively. Excessive vibration is an indication of damage. Repair mower as necessary.
- Dress properly. Do not operate the mower when barefoot or wearing open sandals. Wear only solid shoes with good traction when mowing.
- Do not operate the machine while under the influence of alcohol or drugs.
- Operate self-propelled machines up and down slopes. There is significant risk of overturns when operating across slopes. Operate walk-behind machines across slopes. There is a significant risk of slipping under a walk-behind machine when operating up and down slopes. Do not operate on slopes greater than 15 degrees.
- Never tamper with safety devices. Check their proper operation regularly.
- Stop and inspect the equipment if you strike an object. Repair, if necessary, before restarting.
- Never make adjustments or repairs with the engine running.
- Mower blades are sharp and can cut. Wrap the blades or wear gloves, and use extra caution when servicing them.



# SAFETY AND OPERATIONAL DECALS

Replace decal immediately if damaged. Order by part number from Swisher Mower and Machine Co. Inc.



OD55-DANGER DECAL



OD20-CAUTION DECAL

OD45-WARNING DECAL



OD28-OFF/ON DECAL



OD10-ENGAGE DECAL



OD99116-MED. SILVER LOGO DECAL



## SAFETY AND OPERATIONAL DECALS

Replace decal immediately if damaged. Order by part number from Swisher Mower and Machine Co. Inc.



0D82-44 RUGGED CUT DECAL

OD29- DANGER DECAL



©-028

## OPERATING YOUR TRAILMOWER



The operation of any mower can produce foreign objects to be thrown into the eyes, resulting in severe eye damage. Always wear certified safety glasses or wide-vision safety goggles over spectacles before starting any cutting machine and while operating such a machine.



The operation of any cutter produces sound waves that are damaging to the human ear. Ear protection is recommended.



### **CAUTION!**

Tragic accidents can occur if the operator is not alert to the presence of children. Children are often attracted to the machine and the mowing activity. ***Never assume that children will remain where you last saw them.***

### **INTENDED USE**

The 44" Rugged Cut TrailMower is designed to clear dense areas of grass and cut saplings up to 1 inch thick on golf courses and small estates. It is not intended to create a finish cut on lawns. Your TrailMower should be towed behind an ATV, golf cart, lawn tractor, or other approved vehicle. It is not recommended for speeds exceeding 5 MPH.

### **ATTACHING TRAILMOWER TO TOW VEHICLE**

- Back vehicle up to desired towing position.
- Offset the TrailMower to the side opposite the tow vehicle discharge (if any). This prevents the tow vehicle from throwing grass into TrailMower engine.
- Bolt swivel hitch (H10) to vehicle tow receiver. If tow vehicle has a ball hitch, the ball must be removed before swivel hitch can be fastened.
- Attach tow hitch and the "L" hitch (4866 & H1) to the swivel hitch. The hitch pin (H11) should go completely through both the swivel and "L" hitches and clipped to prevent accidental separation. Check that all hardware is secure at both the tow vehicle and the TrailMower.

### **TRANSPORTING MOWER**

- Stop TrailMower.
- Place TrailMower deck in its highest position.
- When transporting unattached from tow vehicle, remove spark plug wire and place it where it cannot contact the spark plug.

### **ENGAGING BLADES**

The TrailMower will not start if the T-handle console is in the "ENGAGED" position.

- Engage blades by pulling T-handle lever into its horizontal position.

- Return lever to its vertical position to disengage blades.
- The braking system is applied when the blades become disengaged. It is designed to bring the blades to quick stop (approximately 7 seconds). Each TrailMower brake system has been tested and calibrated. For safety, the consumer should not alter the braking system.

### **STARTING THE ENGINE**

See engine manufacturer's recommendations for the type and amount of oil and fuel used.

- Make sure the tow vehicle parking brake is set, mower is level, and blades are disengaged. Engine must be level to accurately check and fill oil. Do not overfill.
- Check spark plug wire, oil, and fuel.
- Check all electrical connections for build-up of debris.
- Set engine idle to "CHOKE" position.
- Pull rope with a single fluid motion.
- Set engine idle at maximum RPM for best performance.
- Allow engine to run a few moments before engaging blades.

### **BREAKING IN YOUR MOWER**

- Set the vehicle parking brake and chock the wheels to prevent accidental rolling.
- While the engine is running, slowly, engage blade control.
- In a safe environment, i.e. no children or pets, allow blades to rotate and engine to idle for 5 minutes, breaking-in the belt for a longer life.
- Stop mower.



**CAUTION: SHUT OFF THE MOWER ENGINE AND REMOVE SPARK PLUG WIRE FROM SPARK PLUG BEFORE MAKING ANY ADJUSTMENTS TO THE MOWER.**

### **FRONT TO BACK ADJUSTMENT**

For best cutting results, the mowing deck should be parallel to the ground. To check parallel adjustment, measure the distance from the bottom edge of the deck in both the front and rear of the deck. This adjustment is best done while the tow vehicle and TrailMower are connected.

- Remove bolts and nuts from the "L" hitch (H1).
- Raise or lower hitch section to obtain proper front to back adjustment.
- Connect bolts and nuts in "L" hitch securely.

### **MOWER HEIGHT ADJUSTMENT**

- There is approximately 3 inches of height adjustment.
- Rotate height adjust crank handle in a clockwise direction to lift the mower deck. A counter-clockwise direction is used to lower the mower deck.
- Dense areas of grass should be cut twice.
- Push handle down to lock height position.



## **TOW HITCH OFFSET**

- When offsetting the mower do so to the side opposite the discharge of the tow vehicle.
- Swisher recommends if the tow vehicle is equipped with a mid-mount mower to overlap the cut approximately 6". This may vary depending on mowing terrain, obstacles, and/or tow vehicle. Always keep safety the first priority.
- Always keep the tow vehicle cutter raised higher than the TrailMower.
- If the tow vehicle is not equipped with a mid-mount mower, we still recommend offsetting the mower so that the tow vehicle does not crush the grass.

## **STARTING TO MOW**

- Adjust the cutting height.
- Double check vehicle to mower attachment.
- Start mower engine and set throttle to "FAST" for best cutting performance.
- Slowly engage T-handle lever.
- Carefully mount vehicle and start mowing at a slow travel speed.

## **STOPPING THE MOWING SESSION**

- Bring tow vehicle to a complete stop, set the parking brake and disengage blades.
- Turn engines "OFF".
- Always remember to remove keys to avoid irresponsible usage.

## **SUGGESTED MOWING PRACTICES**

- Operate mower engine at full throttle to assure the best cutting performance and maximum material discharge.
- Allow wet grass to dry. Wet grass will clump and collect under the mowing deck.
- Mowing should be started with tow vehicle in low gear and increased only as safe mowing conditions permit. Mowing speed should not exceed 5 MPH.
- Better results occur when mowing areas with the least amount of growth. Although your TrailMower will cut through dense areas of growth you will experience increased horsepower while mowing areas of less growth.
- For a healthier lawn and better aesthetics, your lawn should be mowed often and after moderate growth.
- Mowing conditions and the types of grass will vary from place to place. You may find when mowing dense areas that the pressure of the wheel tracks may cause the grass to be pushed down and not effectively mowed. If this happens you may want to mow the area twice. Once with the mower raised and the second mowing at the desired height. The second mowing should be at a right angle from the previous for best results.
- Reducing the travel speed will help mow dense growth. This allows the blades the time necessary to make its initial cut, and regain momentum to continue cutting and discharging debris properly. The engine may stall if you are mowing too fast!
- Do not attempt to mow areas that the tow vehicle cannot maneuver through and/or slopes that you do not feel comfortable riding.



# CUTTER MAINTENANCE

## GENERAL RECOMMENDATIONS

The warranty on this cutter does not cover items that have been subjected to operator abuse or negligence. To receive full value from the warranty, operator must maintain unit as instructed in this manual.

Some adjustments will need to be made periodically to maintain your unit properly.

All adjustments in the service and adjustments section of this manual should be checked at least once each season.

## BEFORE EACH SEASON

- Replace the spark plug.
- Clean or replace the air filter.
- Check blades and belts for wear.

A new spark plug and clean air filter assure proper air-fuel mixture and help your engine run better and last longer.

## BEFORE EACH USE

- Check engine oil level. (Do this twice to ensure an accurate reading.)
- Check condition of air filter and clean or replace if necessary.
- Check blade operation.
- Check for loose fasteners.

## DAILY MAINTENANCE

Make sure all nuts and bolts are tight and cotter pins and retainer springs are secure. Keep blades sharp. Observe all safety precautions.

## BLADE CARE AND SERVICE

For best results cutter blades must be kept sharp. The blades can be sharpened with a few strokes of a file or grinding wheel. Do Not attempt to sharpen while on the cutter.

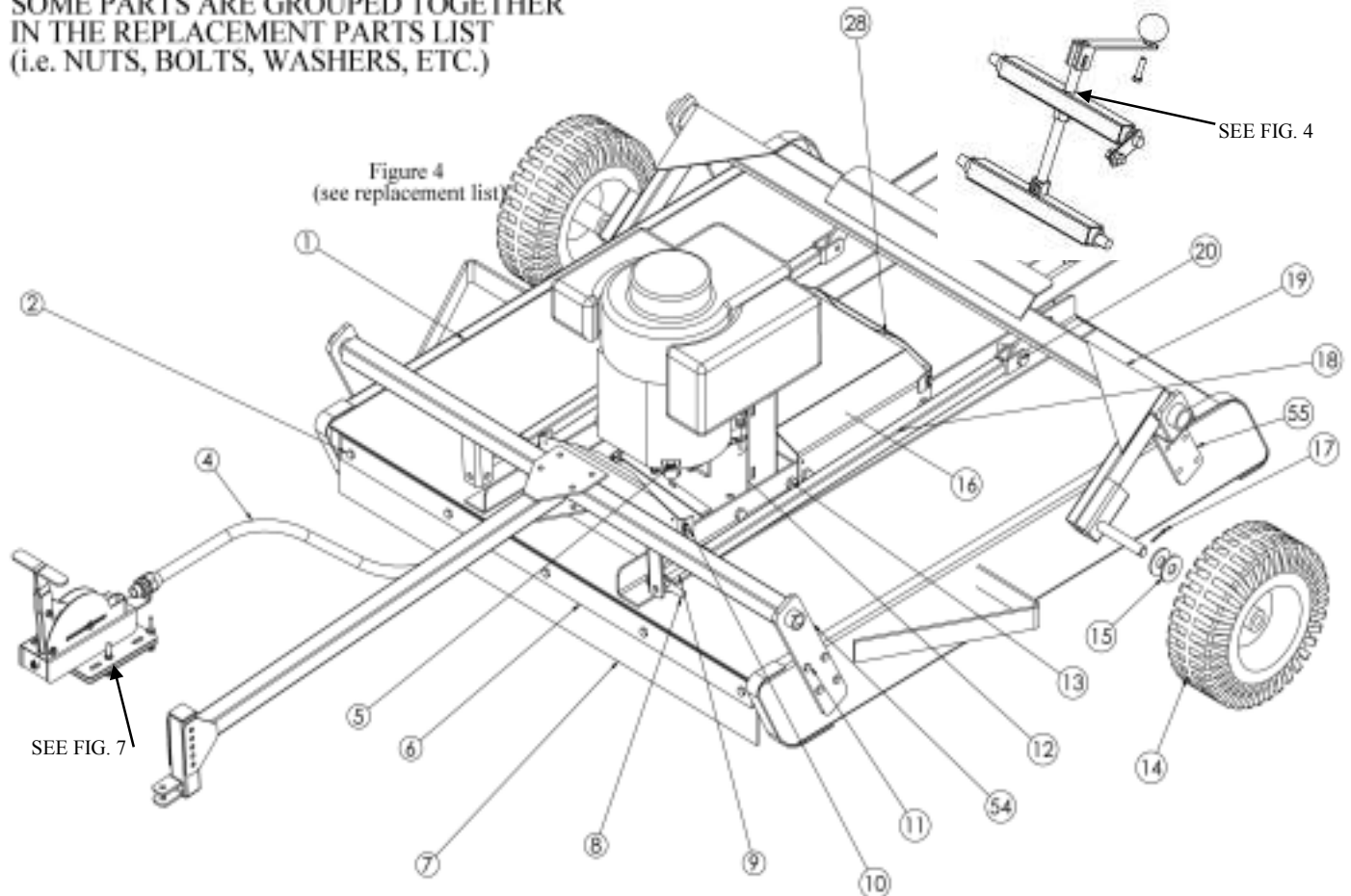
**Important: Replace blades that have been damaged or deeply nicked.**

**Important: Check blade and spindle hardware on a regular basis to make sure nuts are tight.**



**CAUTION: DO NOT HANDLE MOWER BLADES WITH BARE HANDS. CARELESS OR IMPROPER HANDLING MAY RESULT IN SERIOUS INJURY.**

SOME PARTS ARE GROUPED TOGETHER  
IN THE REPLACEMENT PARTS LIST  
(i.e. NUTS, BOLTS, WASHERS, ETC.)



ITEM NO.	QTY.	PART NO.	DESCRIPTION
1	3	4861	FRONT TORSION BAR
2	1	4866	HITCH
3	1	H 1	1" HITCH
4	4	NB-221	3/8 - 16 X 2 1/2
5	4	NB-182	3/8 - 16 NYLOC NUT
6	2	NB-136	5/16 - 18 X 2 1/2
7	2	NB-181	5/16 - 18 NYLOC NUT
8	1	H10	SWIVEL HITCH
9	3	H11	SAFETY PIN
10	1	NB-145Z	5/8 - 11 X 1 1/2
11	1	NB-561	5/8 - 11 NYLOC NUT

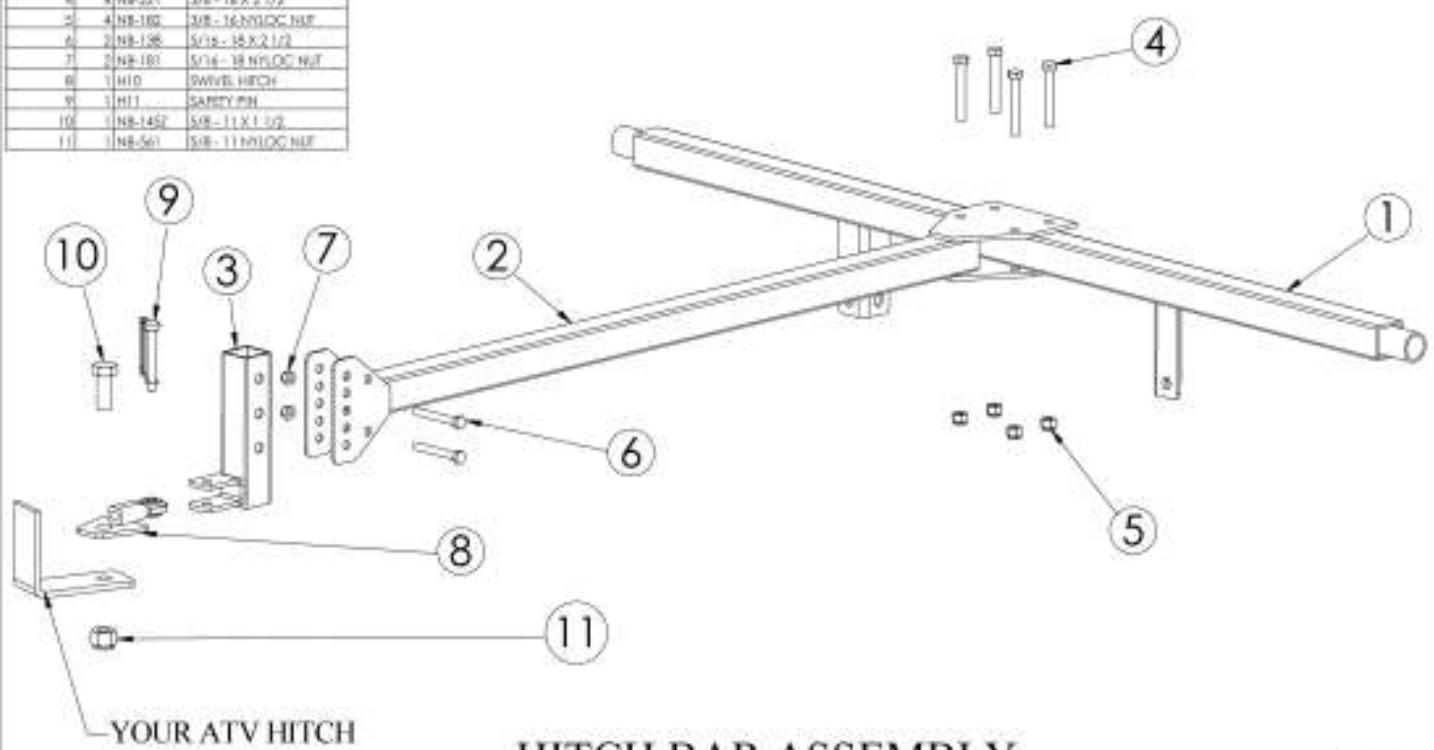


Figure 2

# ENGINE PULLEY ASSEMBLY

ITEM NO.	QTY.	PART NO.	DESCRIPTION
1	1	Secumach Formula XL-C 8.9-10	10.5 BCOOL ENGINE
2	1	6B155	ENGINE PULLEY
3	2	699	BELLVILLE WASHER
4	1	NB-238	ENGINE BOLT
5	1	6B155S	1.75" UPPER SPACER
6	1	6B155SL	.415" LOWER SPACER
7	1	688K	KEYSTOCK
8	1	4867	BELT GUIDE
9	2	NB-556	.3125" FLAT WASHER
10	2	NB-253	.3125"-18 X 1.25 FLANGE BOLT
11	6	NB-170	.3125"-18 FLANGE NUT
12	2	NB-515	.3125"-18 X 1.25 FLANGE BOLT

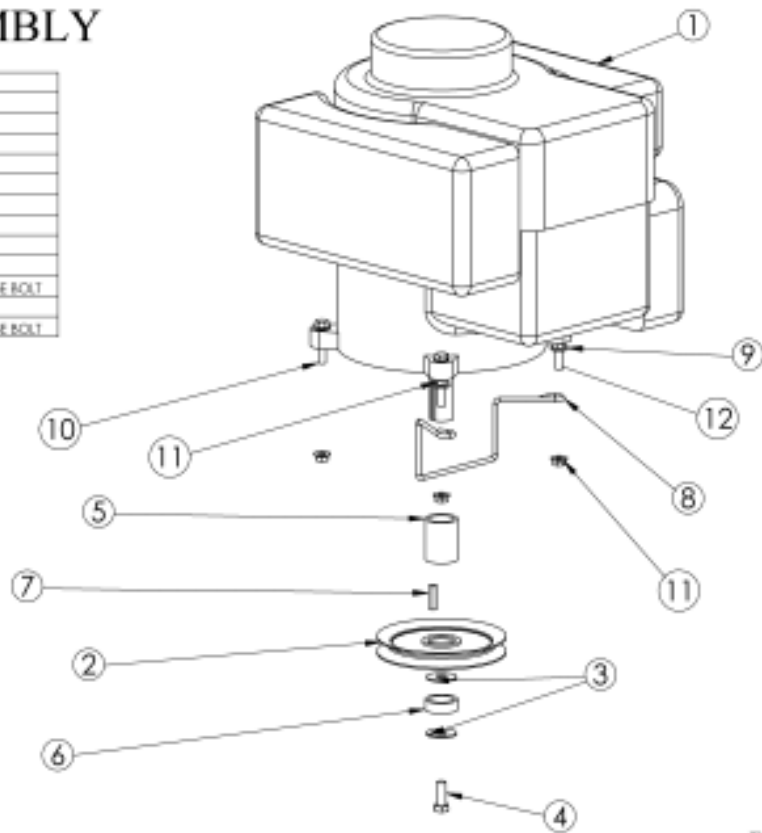


Figure 3

# HEIGHT ADJUST ASSEMBLY

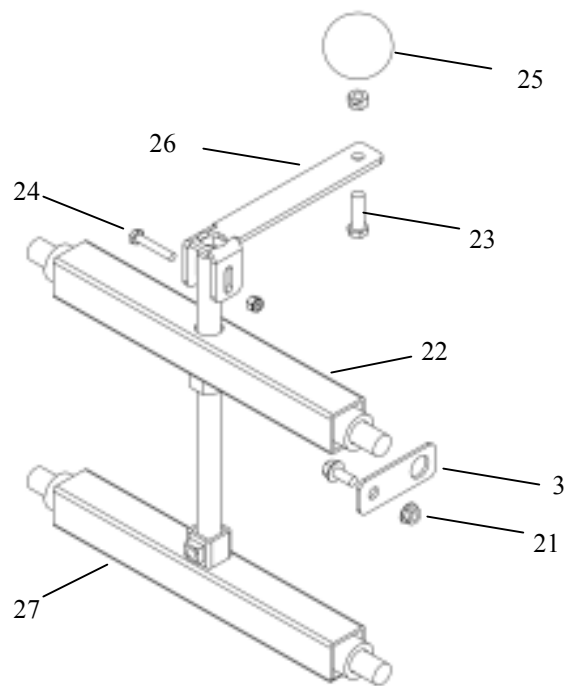
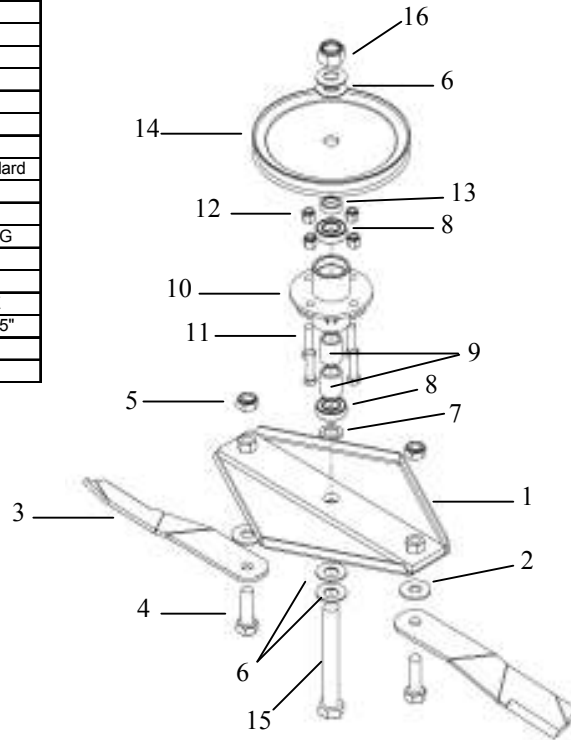


Figure 4  
(see replacement list)

ITEM NO.	QTY.	PART NO.	DESCRIPTION
1	1	4859	STUMP JUMPER
2	2	NB-146	3/4 SAE Washer ZP
3	2	4855	18" BLADE
4	2	NB-611	3/4-10 X 2 1/2 GR8 BOLT
5	2	NB-609	3/4-10 NYLOC NUT
6	4	NB738	BELLVILLE WASHER
7	1	NB-614	1 X 1 1/2 10GA Washer Hard
8	2	4845	BLADE BEARING
9	2	4049	TUBE SPACER
10	1	4858	BLADE DRIVER HOUSING
11	4	NB-509	1/2-13 X 2 HCC GR5 ZP
12	4	NB-281	1/2-13 NYLOC NUT
13	1	BB105SL	SPACE LOWER ENGINE
14	1	4846	BLADE PULLEY - 10.3125"
15	1	NB737	1-8 X 7 1/2" GR8 ZP
16	1	NB-612	1-8 NYLOC NUT ZP



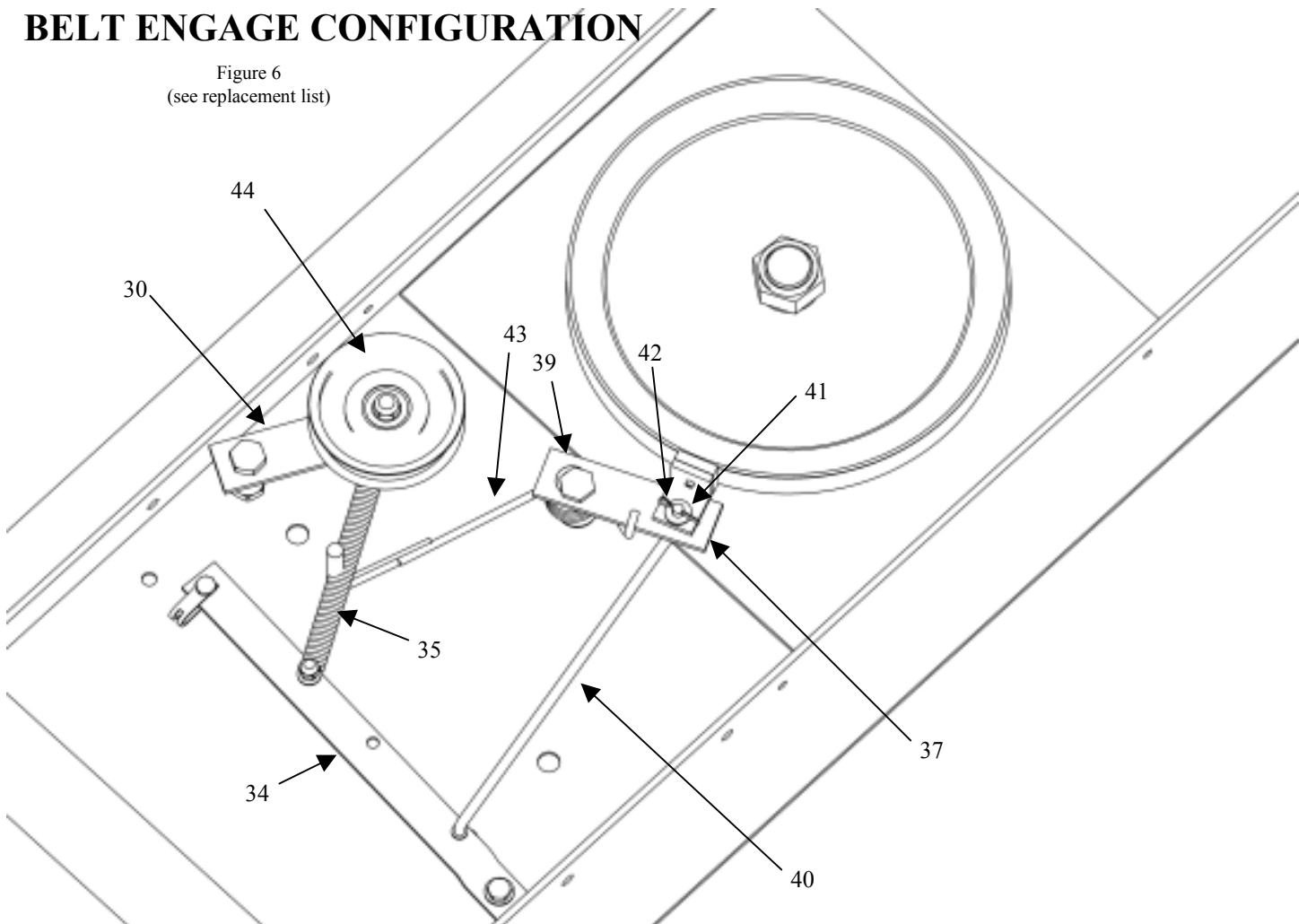
*Note: Torque to  
235 ft/lbs*

BLADE DRIVER ASSEMBLY

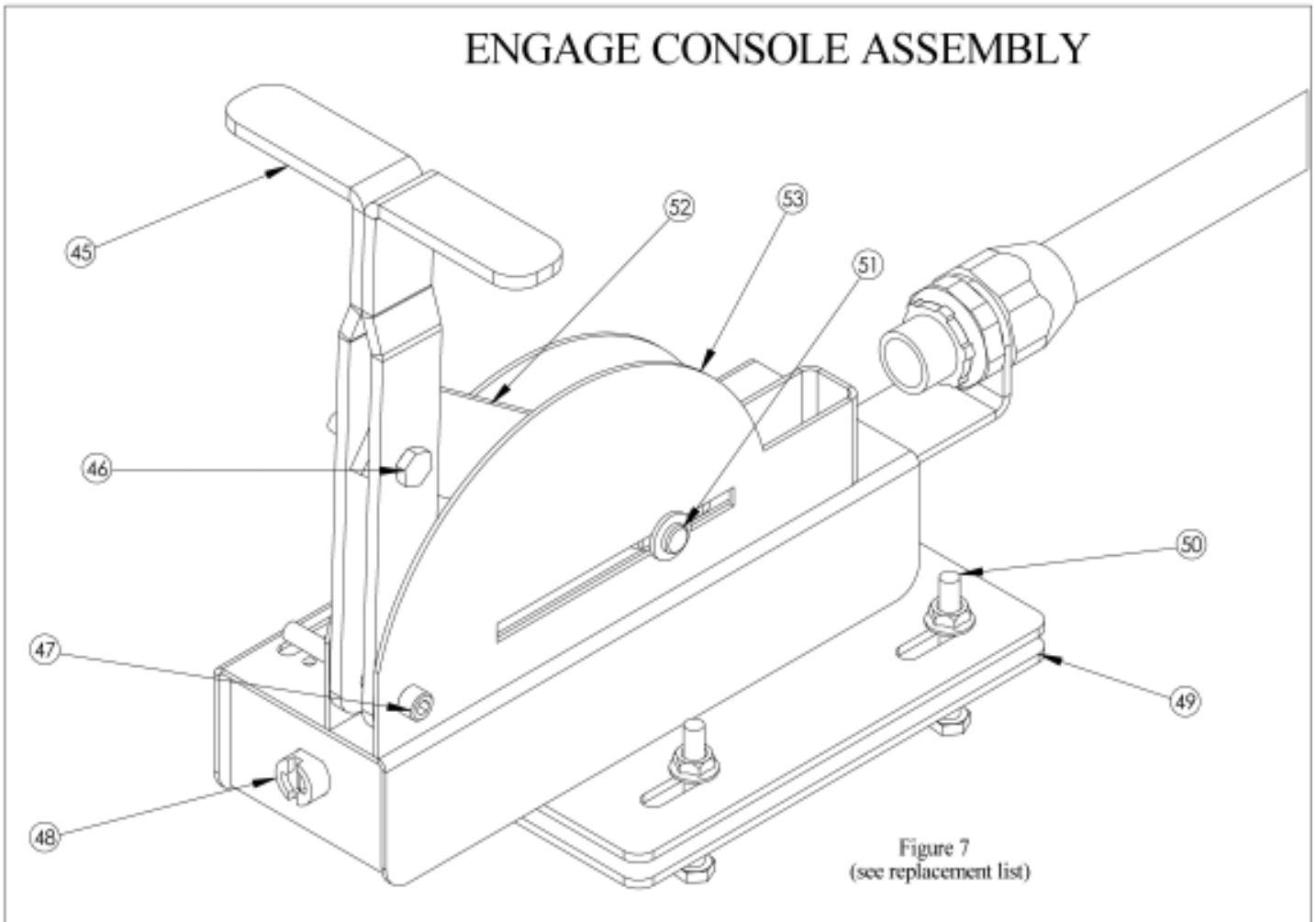
Figure 5

## BELT ENGAGE CONFIGURATION

Figure 6  
(see replacement list)

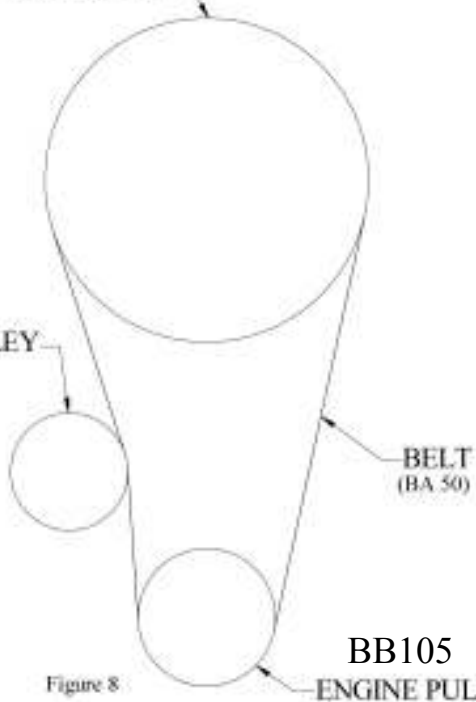


# ENGAGE CONSOLE ASSEMBLY

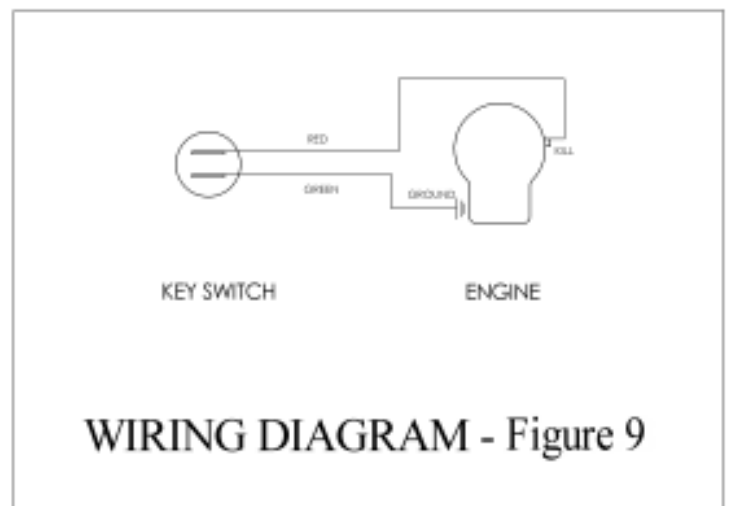


BLADE DRIVER PULLEY  
4846

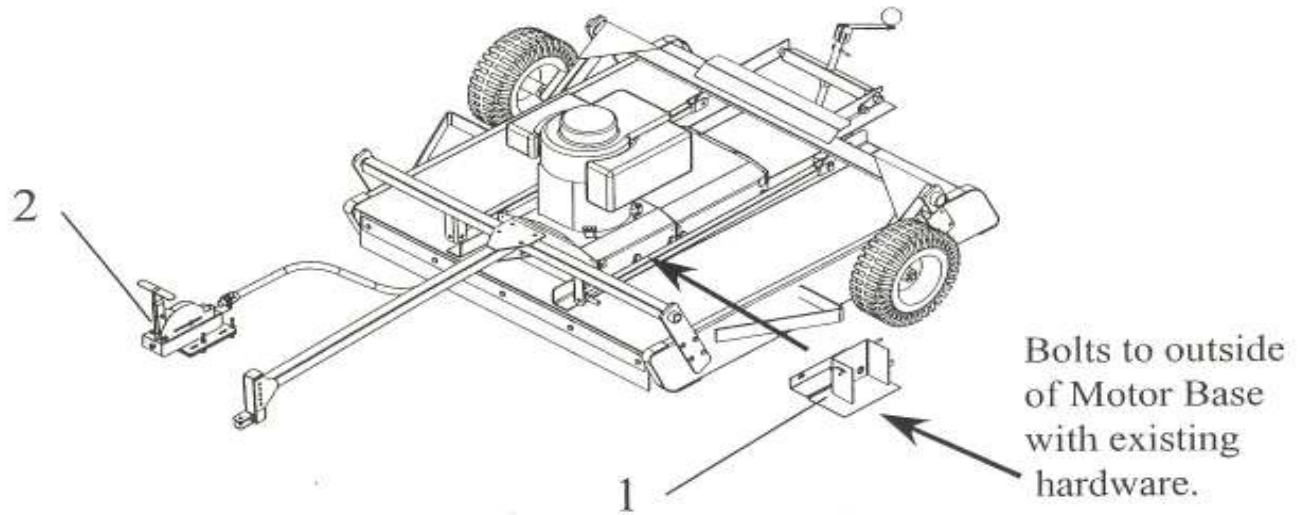
IDLER PULLEY  
B527



## ENGINE PULLEY CONFIGURATION

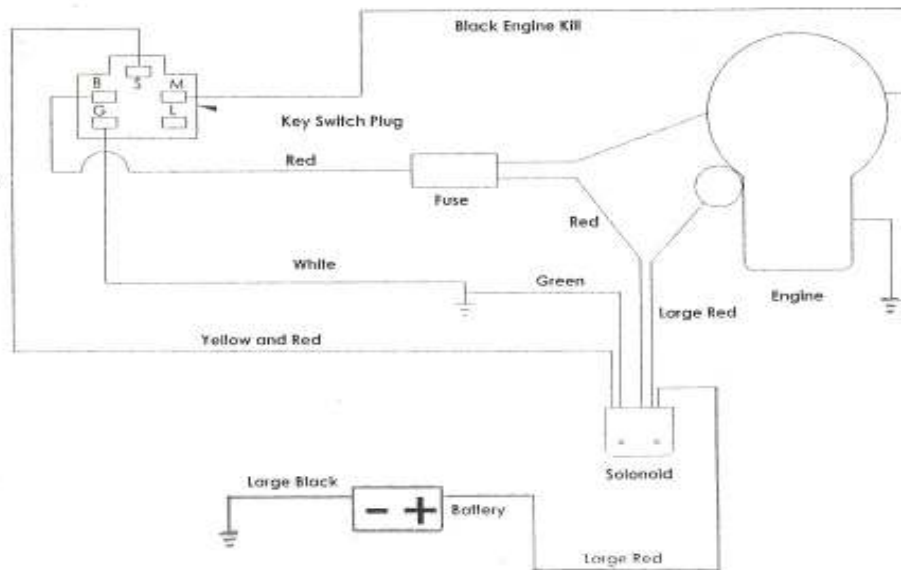


# Rough Cut 44 12 Volt Start Replacement Parts



1	Battery Box Weldment Painted	4928TK
2	Console / Harness RT44 12V	4911
	Console Weldment Painted	4575TK
	Wiring Harness Engine (12V)olt)	WHRT44-2
	Key Switch	3623
	Key Switch Lock Washer	9088
	Key Switch Nut	9077
Not Shown	Keys For Key Switch (set of two)	KSK
Not Shown	Solenoid Assembly	9043
Not Shown	Battery Hold Down, 15" Tarp Strap	B-Hold
Not Shown	Battery Cable (Black 10")	BCS
Not Shown	Battery Cable (10" Red)	BCSR
Not Shown	Battery Cable Rubber Boot	BCBT
Not Shown	Battery Pad	BATPAD
Sold Separately	Battery (12N12A)	

Wiring Diagram





## REPLACEMENT PARTS

When ordering parts that are painted, please supply a paint code at the end of the part number.

C=Red

TK=Black

S=Silver

Example: 4836C, 4898TK, 4844S

ITEM #	PART #	DESCRIPTION
1	4865	DECK WELDMENT
2	NB-501	5/16-18 X 1 1/4 FLNGE BOLT
	NB-181	5/16-18 FLNGE NUT
3	4827	PIN LOCK
4	WHRT44TEC	WIR HRNES-TEC
4	WHRT44BS	WIR HRNES-BRIGGS&STRTON
5	NB-504	5/16-18 X 1 1/4 BOLT
	NB-181	5/16-18 FLNGE NUT
6	4853	RUBBER FLAP STRAP
7	4843	RUBBER FLAP
8	NB-617	1/2-13 X 1 1/2 BOLT
	NB-213	1/2-13 NUT
	NB-281	1/2-13 NYLOC NUT
9	6599	LONG EYEBOLT
10	NB-114	1/2-20 X 1/2 SELF-TAPPING BOLT
11	NB-238	3/8-24 X 1 ENG BOLT
	NB-216	3/8-24 TWO-WAY LOC NUT
12	4836	MOTOR BASE
13	NB-596	5/16-18 X 3/4 FLNGE BOLT
	NB-170	5/16-18 FLNGE NUT
14	4834	TIRE/WHEEL ASSEMBLY
15	NB-195	13/16 X 1 1/4 X 1/8 WASHER
16	4844	PULLEY COVER
17	NB-126	1/8 X 1 COTTER PIN
18	4864	HEIGHT ADJUSTMENT BAR
19	4860	REAR TORSION BAR
20	NB-107	3/8-16 X 1 1/2 BOLT
	NB-182	3/8-16 NYLOC NUT
	T2PB	3/8 PLASTIC BUSHING
21	NB-596	5/16-18 X 3/4 FLNGE BOLT
	NB-170	5/16-18 FLNGE NUT
22	4850	TOP HEIGHT ADJUST SECTION
23	NB-618	3/8-16 X 1 1/4 BOLT
	NB-280	3/8-16 TWO-WAY LOC NUT
24	NB-104Z	1/4-20 X 1 1/2 BOLT
	NB-180	1/4-20 NYLOC NUT
25	4857	BLACK PLASTIC KNOB
26	4874	CRANK HANDLE
27	4851	BOTTOM HEIGHT ADJUST SECTION
	NB-252	5/16-18 X 1/2 FLNGE BOLT
28	4837	AUXILIARY PULLEY COVER
29	NB-619	3/8-16 X 2 1/2 BOLT
	NB-212	3/8-16 NUT
	NB-182	3/8-16 NYLOC NUT

ITEM #	PART #	DESCRIPTION
30	6681	IDLER ARM
31	NB-588	1/2-13 X 2 1/2 BOLT
	NB-121	1/2-13 TWO-WAY LOC NUT
	NB-281	1/2-13 NYLOC NUT
32	NB-250	1/4-20 X 3/4 BOLT
	NB-180	1/4-20 NYLOC NUT
33	9023	CLEVIS U-CLIP
34	4898	BELT ENGAGE ARM
35	682S	IDLER SPRING
36	NB-102	1/4-20 X 1 BOLT
	NB-139	1/4-20 NUT
	NB-180	1/4-20 NYLOC NUT
37	4893	Brake Arm Assembly
38		3 LINK CHAIN
39	NB510	1/2-13 X 2 1/2 BOLT
	3122	1 1/2 X 3/4 SPACER
	NB121	1/2-13 2-WAY JAM LOCK NUT
40	4891	BRAKE ROD
41	NB274	1/4 SAE WASHER
42	NB519	5/64 X 3/4 COTTER PIN
43	9040	BRAKE SPRING
44	B527	IDLER PULLEY
45	4463	T-HANDLE
46	NB-560	1/4-20 X 1 1/4 BOLT
	NB-180	1/4-20 NYLOC NUT
47	NB-591	5/16-18 X 1 1/2 TORX BOLT
	NB-181	5/16-18 NYLOC NUT
48	KSM	KEY SWITCH
49	4852	ENGAGE CONSOLE MOUNT PLATE
50	NB-141	1/4-20 X 2 1/2 BOLT
	NB-274	1/4 SAE WASHER
	NB-608	1/4-20 WING NUT
51	NB-597	3/32 X 3/4 COTTER PIN
	NB-274	1/4 SAE WASHER
	NB-518	1/4 X 1 1/2 CLEVIS PIN
52	4461	T HANDLE LINK
53	4847	ENGAGE CONSOLE
54	4805	FRONT TORSION BRACKETS
55	4809(L&R)	REAR TORSION BRACKETS
NOT SHOWN	BR20CC	ENGAGE CABLE
NOT SHOWN	BA50	BELT



swisherinc.com

## OWNER'S MANUAL

**MODEL NO.**  
**RT105441**  
**RT800441**  
**POL10544HD**  
**RTB105441**

## 44" ROUGH CUT TRAILMOWER

Each mower has its own model number. Each engine has its own model number. The model number for the mower will be found on the right hand side of the drive belt housing. The model number for the engine will be found on the top of the blower fan housing.

All mower parts listed herein may be ordered directly from Swisher Mower & Machine Co. Inc. or your nearest Swisher dealer.

All engine parts may be ordered from the nearest dealer of the engine supplied with your mower.

WHEN ORDERING PARTS, PLEASE HAVE THE FOLLOWING INFORMATION AVAILABLE:

- \* PRODUCT - TRAILMOWER
- \* SERIAL NUMBER - \_\_\_\_\_
- \* MODEL NUMBER - \_\_\_\_\_
- \* ENGINE MODEL NUMBER - \_\_\_\_\_
- TYPE - \_\_\_\_\_
- \* PART NUMBER
- \* PART DESCRIPTION

TELEPHONE - 1-800-222-8183

FAX - 1-660-747-8650

**SWISHER MOWER & MACHINE CO. INC.**

1602 CORPORATE DRIVE P.O. BOX 67

WARRENSBURG, MO 64093

www.swisherinc.com



SWISHER MOWER & MACHINE CO. INC.

PRINTED IN U.S.A.

## Free Manuals Download Website

<http://myh66.com>

<http://usermanuals.us>

<http://www.somanuals.com>

<http://www.4manuals.cc>

<http://www.manual-lib.com>

<http://www.404manual.com>

<http://www.luxmanual.com>

<http://aubethermostatmanual.com>

Golf course search by state

<http://golfingnear.com>

Email search by domain

<http://emailbydomain.com>

Auto manuals search

<http://auto.somanuals.com>

TV manuals search

<http://tv.somanuals.com>