



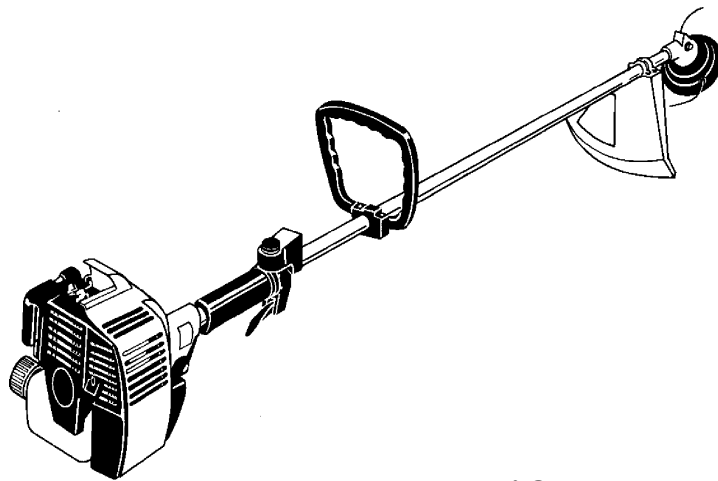
Owner's Manual

Model Numbers:

AST-210, AST-5000
AUTO-START TRIMMERS

P/N 27344

Date 04-19-01



AST-210

Supplier To The Outdoor Power Equipment Industry

ISM, Inc. • 1028 4th Street SW • Auburn, WA 98001 • Phone: (253) 333-1200 • Fax: (253) 333-1212

Before using this unit:

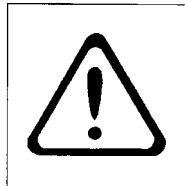
- Read the operator's manual carefully.
- Check that the cutting equipment is correctly assembled and adjusted.
- Start the unit and check the carburetor adjustment. See "Maintenance".

⚠ WARNING

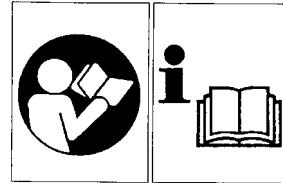
The engine exhaust from this product contains chemicals known to the State of California to cause cancer, birth defects and other reproductive harm.



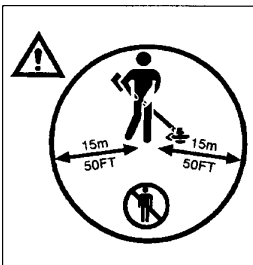
Always wear eye, head and ear protectors when using this unit.



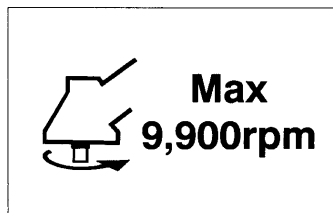
Read, understand and follow all warnings and instructions in this manual and on the unit.



It is important that you read, fully understand and observe the following safety precautions and warnings. Careless or improper use of the unit may cause serious or fatal injury.



Keep all children, bystanders and helpers 15m (50 ft) away from unit. If anyone approaches you, stop the engine and cutting attachment immediately.



Shows maximum shaft speed. Do not use the cutting attachment whose max rpm rating is below the shaft rpm.



Do not use metal/rigid blades when this sign is shown on the unit.



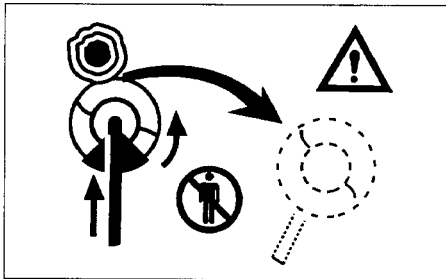
Be careful of thrown objects.



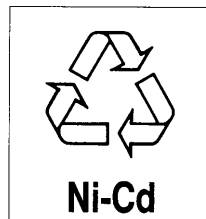
Gloves should be worn when necessary, e.g. when assembling cutting equipment.



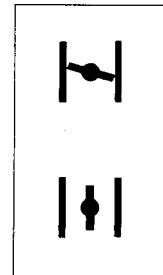
Use anti-slip and sturdy footwear.



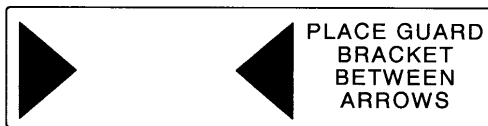
Blade thrust may occur when the spinning blade contacts a solid object in the critical area. A dangerous reaction may occur causing the entire unit and operator to be thrust violently. This reaction is called **BLADE THRUST**. As a result, the operator may lose control of the unit which may cause serious or fatal injury. Blade thrust is more likely to occur in areas where it is difficult to see the material to be cut.



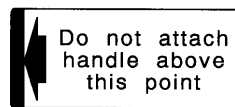
Contains Nickel-Cadmium battery. Must be recycled or disposed of properly.



Explains choke position. Upper sign indicates choke closed and the lower fully open.



Indicates blade guard location for trimmer head or Brain Head.



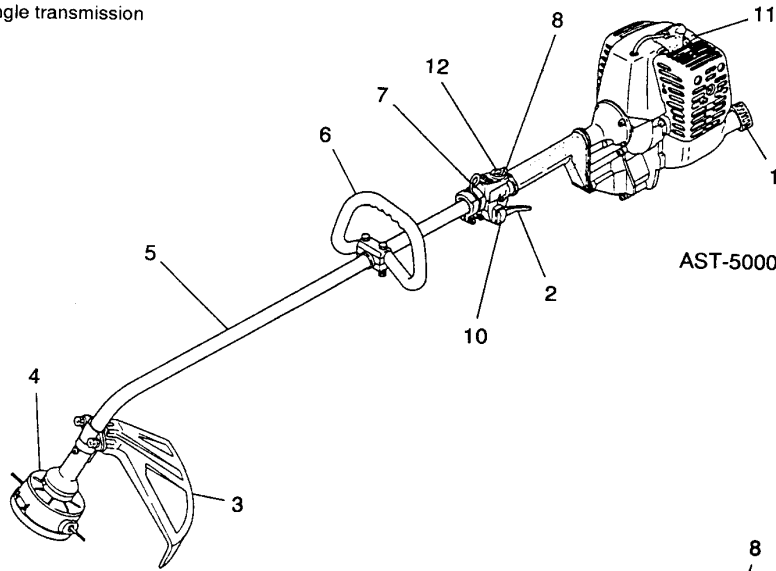
Indicates handle location. Do not attach handle above this point.

⚠ WARNING! • Read the Operator's Manual and follow all warnings and safety instructions. Failure to do so can result in serious injury to the operator and /or bystanders. • Objects may be thrown or ricochet in all directions. **ALWAYS WEAR EYE PROTECTION.** • Keep bystanders at least 50 feet (15m) away. • To reduce the chance of hearing loss, always wear ear protection. • To reduce the risk of injury from loss of control, never use a metal blade on a curved shaft grass trimmer. Never use a metal blade on any brushcutter without barrier bar or bicycle handle configuration and safety strap. • Use of a blade may cause a sudden sideways, forward or backward motion of the brushcutter when the blade contacts a solid object. See Owner's manual for model specific details.

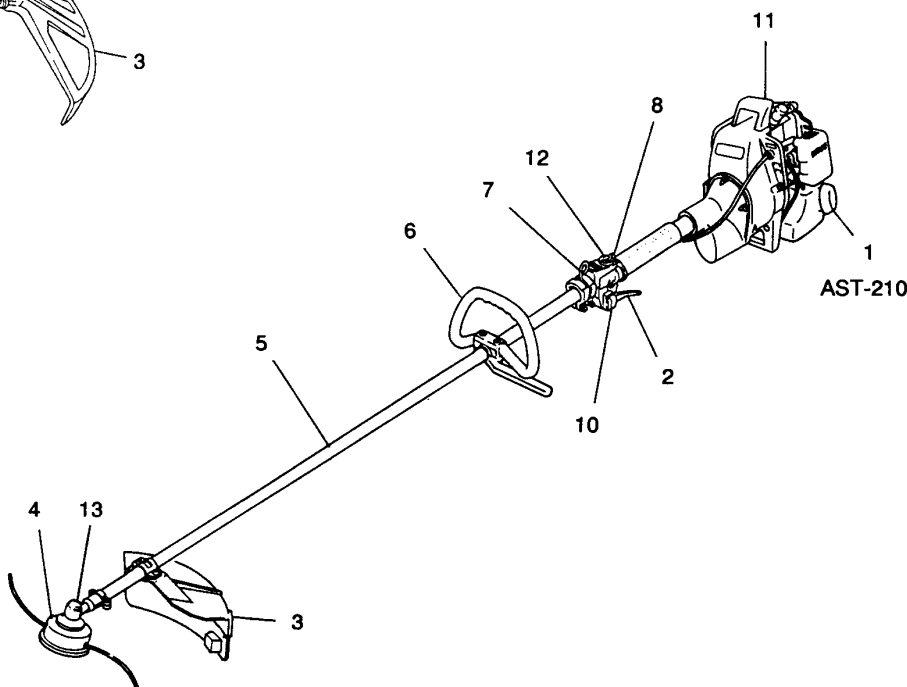
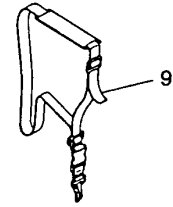
1. What is what ?

Since this manual covers several models, there may be some difference between pictures and your unit. Use the instructions that apply to your unit.

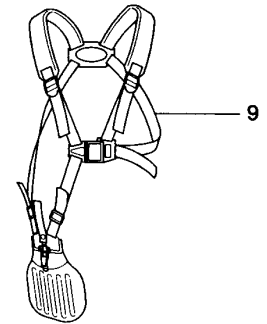
1. Fuel cap
2. Throttle trigger
3. Blade guard
4. Cutting attachment
5. Drive shaft tube
6. Handle bar
7. Suspension eyelet
8. Ignition switch
9. Harness
10. Throttle lock
11. Engine
12. Start button
13. Angle transmission



AST-5000



AST-210



2. Warnings and safety instructions.

Operator Safety

- Always wear a safety face shield or goggles.
- Always wear heavy, long pants, boots and gloves. Do not wear loose clothing, jewelry, short pants, sandals or go barefoot. Secure hair so it is above shoulder length.
- Do not operate that tool when you are tired, ill or under the influence of alcohol, drugs or medication.
- Never let a child or inexperienced person operate the machine.
- Wear hearing protection.
- Never start or run the engine inside a closed room or building. Breathing exhaust fumes can kill.
- Keep handles free of oil and fuel.
- Keep hands away from cutting equipment.
- Do not grab or hold the unit by the cutting equipment.
- When the unit is turned off, make sure the engine has stopped before the unit is set down.
- When operation is prolonged, take a break from time to time so that you may avoid possible white finger disease, which is caused by vibration.

Tool Safety

- Inspect the entire tool before each use. Replace damaged parts. Check for fuel leaks and make sure all fasteners are in place and securely fastened.
- Replace parts that are cracked, chipped or damaged in any way before using the tool.
- Make sure the safety guard is properly attached.
- Keep others away when making carburetor adjustments.
- Use only accessories as recommended for this tools by the manufacturer.

WARNING!

Never modify the tool in any way. Do not use the tool for any job except that for which it is intended.

Fuel Safety

- Mix and pour fuel outdoors and where there are no sparks or flames.
- Use a container approved for fuel.
- Do not smoke or allow smoking near fuel or the tool or while using the tool.
- Wipe up all fuel spills before starting engine.
- Move at least 3 m (10 ft) away from fueling site before starting engine.
- Stop engine before removing fuel cap.
- Empty the fuel tank before storing the tool. It is recommended that the fuel be emptied after each use. If fuel is left in the tank, store so fuel will not leak.
- Store tool and fuel in area where fuel vapors cannot reach sparks or open flames from water heaters, electric motors or switches, furnaces, etc.

WARNING!

Anti-vibration systems do not guarantee that you will not sustain white finger disease or carpal tunnel syndrome. Therefore, continual and regular users should monitor closely the condition of their hands and fingers. If any of the above symptoms appear, seek medical advice immediately.

Cutting Safety

- Do not cut any material other than grass and brush.
- Inspect the area to be cut before each use. Remove objects which can be thrown or become entangled.
- For respiratory protection, wear an aerosol protection mask when cutting the grass after insecticide is scattered.

- Keep others including children, animals, bystanders and helpers outside the 15 m (50ft) hazard zone. Stop the engine immediately if you are approached.
- Always keep the engine on the right side of your body.
- Hold the tool firmly with both hands.
- Keep firm footing and balance. Do not over-reach.
- Keep all parts of your body away from the muffler and cutting attachment when the engine is running.
- Keep the cutting attachment below waist level.

Maintenance Safety

- Maintain the tool according to recommended procedures.
- Disconnect the spark plug before performing maintenance except for carburetor adjustments.
- Keep others away when making carburetor adjustments.
- Use only genuine replacement parts as recommended by the manufacturer.

Transport and storage

- Carry the tool by hand with the engine stopped and the muffler away from your body.
- Allow the engine to cool, empty the fuel tank, and secure the tool before storing or transporting in a vehicle.
- Empty the fuel tank before storing the tool. It is recommended that the fuel be emptied after each use. If fuel is left in the tank, store so fuel will not leak.
- Store tool out of the reach of children.
- Clean the unit carefully and store it in a dry place.
- Make sure engine switch is off when transporting or storing.
- When transporting in a vehicle, cover blade with blade cover.

If situations occur which are not covered in this manual, take care and use good judgment. Contact your dealer if you need assistance.

Safety Instructions for auto-start

- Do not press the "Start Button" while recharging the battery. If pressed, it would result in damage to the battery charger. The batter charger must be disconnected from the unit before starting.
- Do not attempt to charge the battery with other than the Tanaka charger. Do not attempt to charge other batteries with the Tanaka charger. The charger and the battery have specific voltage requirements and are designed to work only if connected together.
- The charger is designed for standard household electrical power. Do not attempt to use any other voltage.
- Do not expose the charger and battery to rain or snow.
- Do not store the unit or its charger where temperatures reach 125° F (51° C) or below 25° F (-32° C).
- Do not short circuit or in any way alter the charging system since it would result in damage to the battery and/or the unit.
- Do not store or operate near open flames since it might cause the battery to burst and/or release toxic material.

Pay special attention to statements preceded by the following words:

WARNING!

Indicates a strong possibility of severe personal injury or loss of life, if instructions are not followed.

CAUTION!

Indicates a possibility of personal injury or equipment damage, if instructions are not followed.

NOTE!

Helpful information for correct function and use.

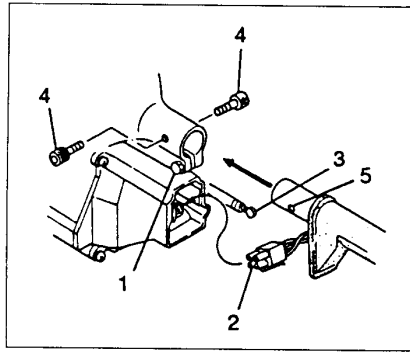


Fig. 1-1

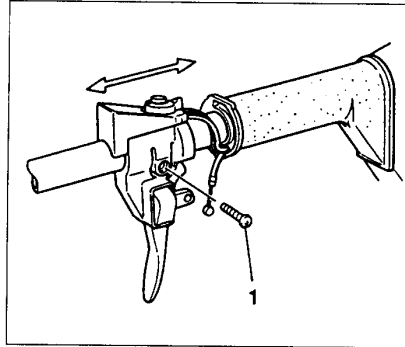


Fig. 1-1B

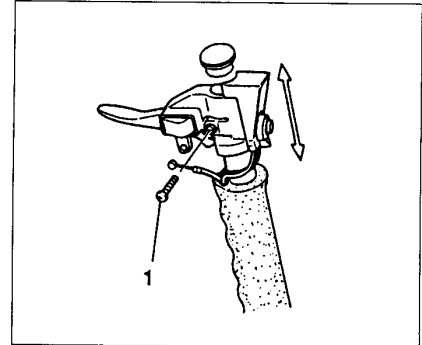


Fig. 1-1C

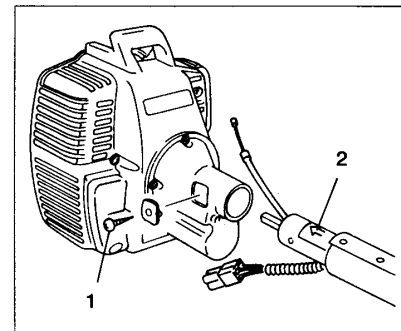


Fig. 1-1D

3. Assembly procedures

Drive shaft to engine (Fig.1-1)

- Apply a small amount of oil or grease to insert part of shaft tube, loosen shaft tightening bolt (1) and remove location bolts (4).
- Insert the throttle wire (3) through the hole of the shaft grip and connect the electrical coupling (2).
- Pull flexible inner shaft out of shaft tube about 3 " and insert it into the square hole in the clutch shaft.

Insert the shaft tube into the rubber damper on the clutch case until the location hole lines up on the shaft tube (5) and on the clutch case. If it will not go in far enough ' turn the shaft at the gear case end until the shaft tube drops into place.

*install location bolts, tighten location bolts and shaft tightening bolt.

Throttle control (Fig. 1 -1 B, 1C)

- Remove throttle trigger screw (1) and slide the throttle trigger assembly away from the shaft grip temporarily. Connect the throttle wire in the hole of the throttle trigger.
- Locate throttle trigger in its original position by squeezing the trigger, then slide the throttle trigger assembly back against the shaft grip then install and tighten the throttle trigger screw (1).

Drive shaft to engine (AST-210)(Fig. 1-1D)

Loosen tube locking bolt (1).

Insert the drive shaft into the clutch case of the engine properly until the marked position (2) on the drive shaft tube meets the clutch case.

NOTE!

When it is hard to insert drive shaft up to the marked position on the drive shaft tube, turn drive shaft by the cutter mounting end clockwise or counterclockwise. Tighten tube locking bolt lining up the hole in the shaft tube.

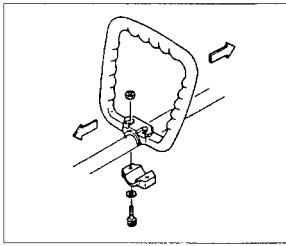


Fig. 1-2

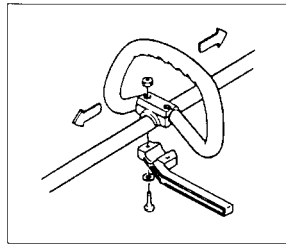


Fig. 1-2B

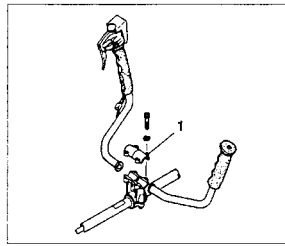


Fig. 1-3

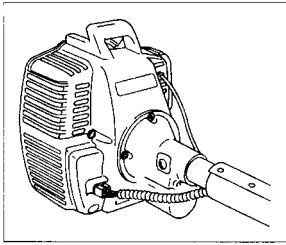


Fig. 1-4

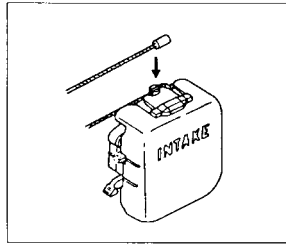


Fig. 1-5

Installation of handle (Fig. 1-2, 2B)

Attach the handle to the drive shaft tube with the angle towards the engine.

Adjust the location to the most comfortable position before operation.

Remove the handle bracket (1) from the assembly. (Fig. 1 -3)

Place the handles and attach the handle bracket with four bolts lightly. Adjust to appropriate position. Then fix it firmly with the bolts.

Throttle wire/stop cord (AST-210)

Connect stop cord connectors. (Fig. 1-4)

Connect throttle wire end to carburetor. (Fig. 1-5)

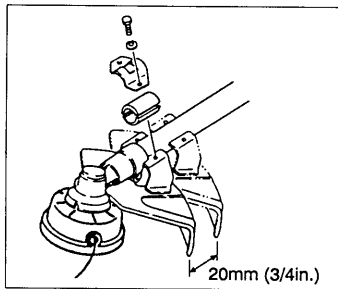


Fig. 1-8

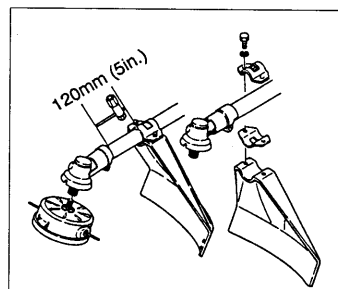


Fig. 1-8B

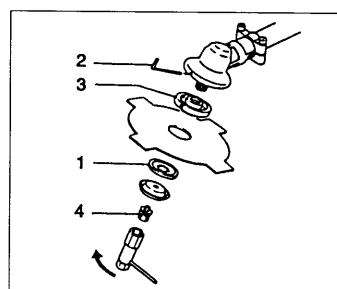


Fig. 1-9

Installation of blade guard (Fig. 1-6, 6B, 6C)

Install the blade guard on the drive shaft tube against the gear case.

Tighten the guard bracket firmly so that the blade guard does not swing or move down during operation.

CAUTION!

Some blade guards are equipped with sharp line limiters. Be careful when handling it.

CAUTION!

Do not attempt to install metal blade on AST-5000, curved shaft trimmer. It is very dangerous.

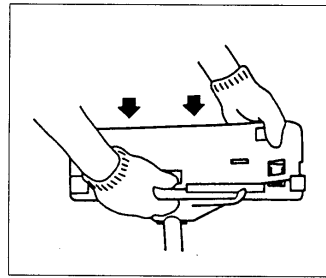


Fig. 1-7

When using a trimmer head (2) with two-piece type blade guard, attach the guard extension to the blade guard. (Fig. 1-7)

Then locate the guard above the angle transmission. (Fig. 1-7B)

NOTE!

If your unit has guard location label on drive shaft tube, follow the indication.

NOTE!

To remove the guard extension, refer to the drawings. Wear gloves as the extension has a sharp line limiter, then push the four square tabs on the guard one by one in order. (Fig. 1-7C)

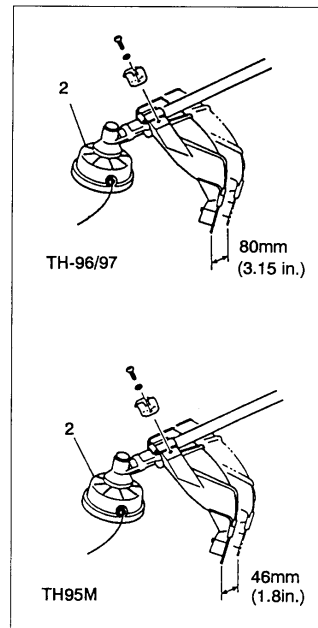


Fig. 1-7B

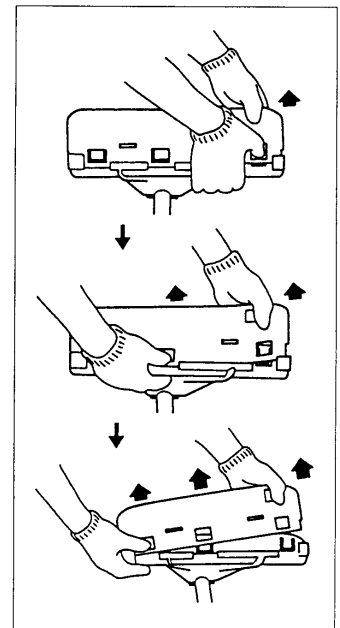


Fig. 1-7C

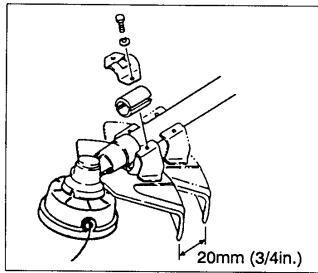


Fig. 1-8

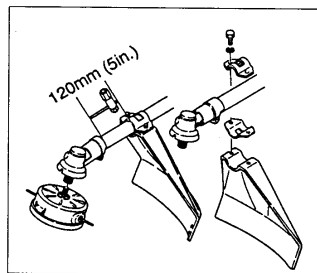


Fig. 1-8B

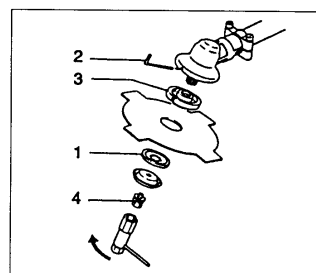


Fig. 1-9

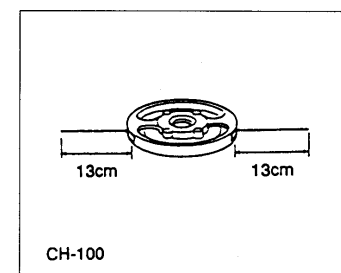


Fig. 1-10

Other blade guards

When using a trimmer head locate the guard 20 mm (1/4 in.) or 120mm (5 in.) above the gear case.

When using a blade, mount the guard against the gear case. (Fig. 1-8, 8B)

Installation of cutting equipment (Fig.1-9)

When installing a cutting blade, make sure that there is no cracks or any damage in it and that the cutting edges are facing the correct direction.

NOTE! When installing cutter holder cap (1), be sure to set concave side upward.

Insert the allen wrench (2) into the hole of the angle transmission in order to lock the cutler holder (3). Please note that the cutter fixing bolt (4) has left handed threads, (clockwise to loosen/counter-clockwise to tighten). Tighten the fixing bolt with the box wrench.

CAUTION! Before operation, make sure the blade has been properly installed.

CAUTION! If your unit is equipped with protection cover under a cutting blade, check it for weariness or cracks before operation. If any damage or weariness is found, replace it, as it is an article of consumption.

Installation of the cutting head

NOTE! For installation see your cutting head Owner's manual, provided with the cutting head.

WARNING!

For TANAKA heads or TANAKA alloy head, use only flexible, non-metallic line recommended by the manufacturer. Never use wire or wire-ropes. They can break off and become a dangerous projectile.

NOTE! When using TANAKA alloy head (CH-100), initial cuffing line length should be about 13cm each. (Fig. 1-10)

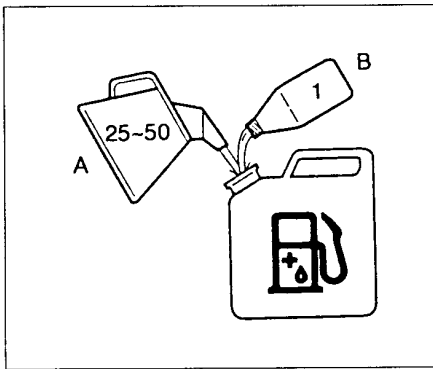


Fig. 2-1

4. Operating procedures

Fuel (Fig. 2-1)

⚠ WARNING!

The trimmer is equipped with a two-stroke engine. Always run the engine on fuel, which is mixed with oil. Provide good ventilation, when fueling or handling fuel.

Fuel

- Always use branded 89 octane unleaded gasoline.
- Use Tanaka two-cycle oil or a quality two-cycle oil at mixing ratio of 25-50:1 (Gasoline (A) : Oil (B)), only for the state of California at 50:1.
- Never use multi-grade oil (10 W/30) or waste oil.
- Always mix fuel and oil in a separate clean container.

Always start by filling half the amount of fuel, which is to be used. Then add the whole amount of oil. Mix (shake) the fuel mixture.

Add the remaining amount of fuel.

Mix (shake) the fuel-mix thoroughly before filling the fuel tank.

Fueling

⚠ WARNING!

- Always shut off the engine before refueling.
- Slowly open the fuel tank, when filling up with fuel, so that possible over-pressure disappears.
- Tighten the fuel cap carefully, after fueling.
- Always move the trimmer at least 3 m (10 ft.) from the fueling area before starting.

Before fueling, clean the tank cap area carefully, to ensure that no dirt falls into the tank.

Make sure that the fuel is well mixed by shaking the container, before fueling.

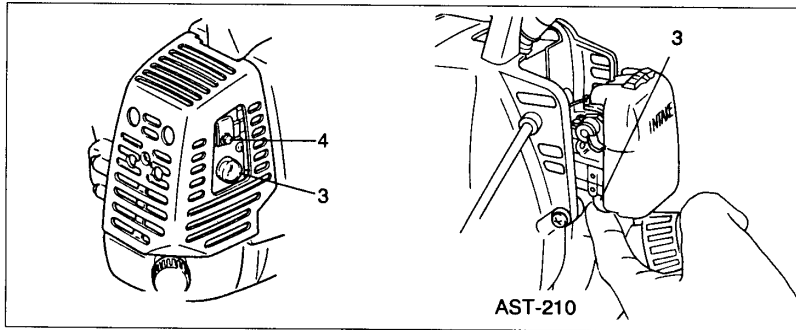


Fig. 2-2

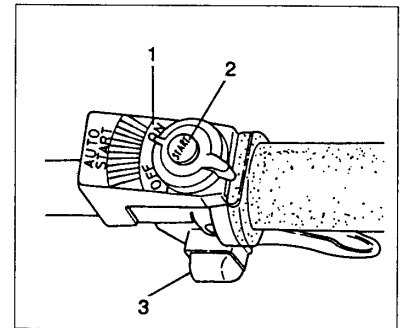


Fig. 2-2B

Starting (Fig. 2-2, 2B)

CAUTION!

Before starting, make sure the cutting attachment does not touch anything.

The battery is not fully charged at the factory. It is necessary to charge it fully before operation. Please follow "Charging Procedures".

1. Depress the priming bulb (3) several times until fuel flows through the bulb or return pipe.
2. Depress the fuel injection button (4) once which transfers fuel from the carburetor to the combustion chamber. (AST-250) (Fig. 2-2)

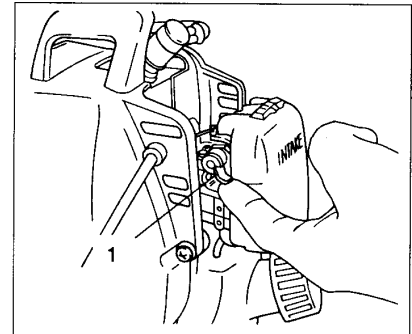


Fig. 2-2C

NOTE!

When the engine is warm it is not necessary to depress the priming bulb or the fuel injection button when starting. If this is done, the engine may become flooded and hard to start.

3. Make sure throttle trigger is not locked. Do not use throttle lock (3).
4. Lift up start control lever (1) to vertical or start position. Do not push it further or the lever may break. (AST-210) (Fig. 2-2C)
5. Turn the switch to the "ON"(1) position and depress the start button (2) until the engine starts. Warm the engine by running at idle speed for 2 to 3 minutes. (Fig. 2-2B)

CAUTION!

Do not depress the "Start Button" for more than 10 seconds continuously, as this may cause premature power drainage of the batteries.

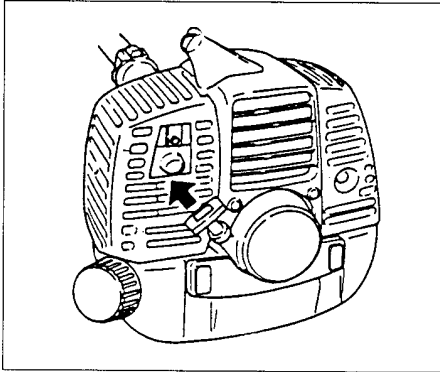


Fig. 2-2D

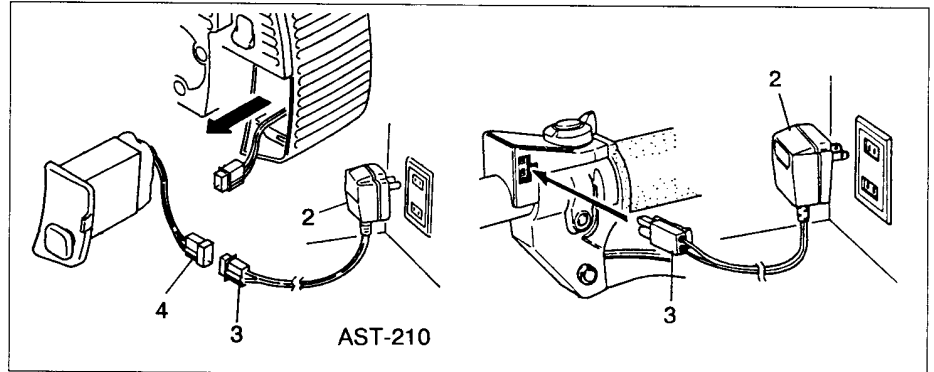


Fig. 2-3

If the engine does **not start**:

1. If the engine starts but does not continue to run, repeat steps 1 to 5.
2. If the starter does not make any noise, repeat the charging procedures.

(Optional)(AST-250)

3. To start the unit with the recoil starter, if so equipped, follow starting procedures number 1 and turn the switch to the "On" position then pull the recoil starter handle briskly. (Fig. 2-2D)

Stopping (Fig. 2-2B)

Decrease engine speed, set ignition switch to (OFF) position.

⚠ WARNING!

A blade can injure while it continues to spin after the engine is stopped or power control is released. When the unit is turned off, make sure the cutting attachment has stopped before the unit is set down.

Battery charging procedure

The unit has a self-charging system, however, it may require charging if the unit is stored and the battery output becomes low.

- Plug the battery charger (2) into a household electrical outlet and connect the electrical coupling (3) to the coupling on the top of the throttle lever assembly or battery coupling (4). (Fig. 2-3)

CAUTION!

- Do not leave the charger plugged in for more than 24 hours.
- Do not charge battery where temperatures are below 32° F(0°C) or above 113°F(45° C). If this is done the battery may not accept a full charge.

NOTE!

When completely discharged the battery will take approximately 15 hours to charge.



Fig. 2-4

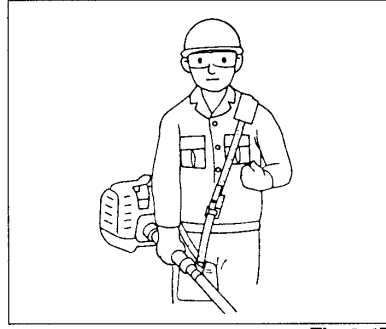


Fig. 2-4B

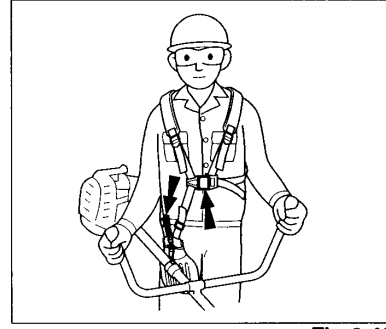


Fig. 2-4C

Cutting (Fig. 2-4, 4B, 4C, 4D)

- When cutting, operate engine at over 6500 rpm. Extended use at a slow speeds may wear the clutch prematurely.
- Cut grass from right to left.
- Blade thrust may occur when the spinning blade contacts a solid object in the critical area. A dangerous reaction may occur causing the entire unit and operator to be thrust violently. This reaction is called **BLADE THRUST**. As a result, the operator may lose control of the unit which may cause serious or fatal injury. Blade thrust is more likely to occur in areas where it is difficult to see the material to be cut.
- Wear the harness as shown in the figure (if so equipped). The blade turns counterclockwise, therefore, be advised to operate the unit from right to left for efficient cutting. Keep onlookers out of working area at least 15 m (50 ft.).

NOTE!

Press the quick release button or pull emergency release flap (If so equipped) in the event of emergency. (Fig. 2-4C)

Stopping (Fig. 2-5)

- Decrease engine speed and run at an idle for a few minutes, then turn off ignition switch.

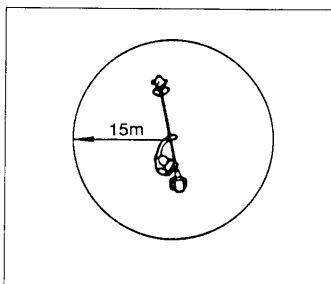


Fig. 2-4D

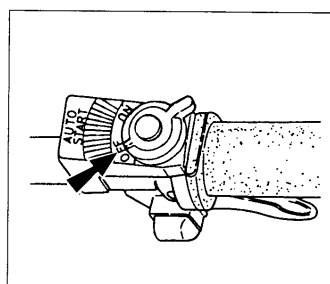


Fig. 2-5

⚠ WARNING!

If the cutting attachment should strike against stones or other debris, stop the engine and make sure the attachment and related parts are undamaged. When grass or vines wrap around attachment, stop engine and attachment and remove them.

5. Maintenance

MAINTENANCE, REPLACEMENT, OR REPAIR OF THE EMISSION CONTROL DEVICES AND SYSTEMS MAY BE PERFORMED BY ANY NONROAD ENGINE REPAIR ESTABLISHMENT OR INDIVIDUAL.

Carburetor adjustment (Fig. 3-1, 1B)

⚠ WARNING!

The cutting attachment may be spinning during carburetor adjustments.

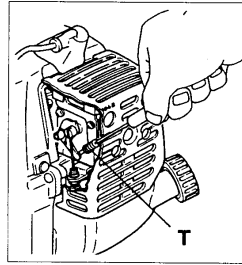


Fig. 3-1

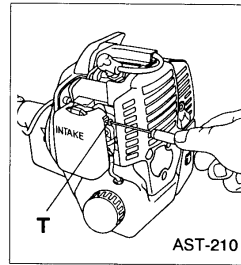


Fig. 3-1B

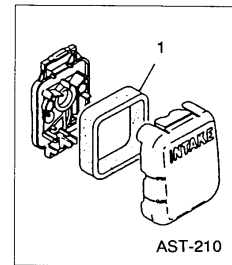


Fig. 3-2

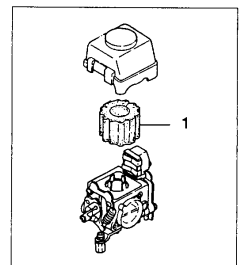


Fig. 3-2B

⚠ WARNING!

Never start the engine without the complete clutch cover and tube assembled! Otherwise the clutch can come loose and cause personal injuries.

In the carburetor, fuel is mixed with air. When the engine is test run at the factory, the carburetor is basically adjusted. A further adjustment may be required, according to climate and altitude. The carburetor has one adjustment possibility:

T = Idle speed adjustment screw.

Idle speed adjustment (T)

Check that the air filter is clean. When the idle speed is correct, the cutting attachment will not rotate. If adjustment is required, close (clockwise) the T-screw, with the engine running, until the cutting attachment starts to rotate.

Open (counter-clockwise) the screw until the cutting attachment stops. You have reached the correct idle speed when the engine runs smoothly in all positions well below the rpm when the cutting attachment starts to rotate.

If the cutting attachment still rotates after idle speed adjustment, contact your service workshop.

NOTE!

Standard Idle rpm is 2500-3000 rpm.

⚠ WARNING!

When the engine is idling the cutting attachment must under no circumstances rotate.

Air filter (Fig. 3-2, 2B)

The air filter must be cleaned from dust and dirt in order to avoid:

- Carburetor malfunctions.
- Starting problems.
- Engine power reduction.
- Unnecessary wear on the engine parts.
- Abnormal fuel consumption.

Clean the air filter daily or more often if working in exceptionally dusty areas.

Cleaning the air filter

Remove the air filter cover and the filter (1).

Rinse it in warm soap suds. Check that the filter is dry before reassembly. An air filter that has been used for some time cannot be cleaned completely. Therefore, it must regularly be replaced with a new one. A damaged filter must always be replaced.

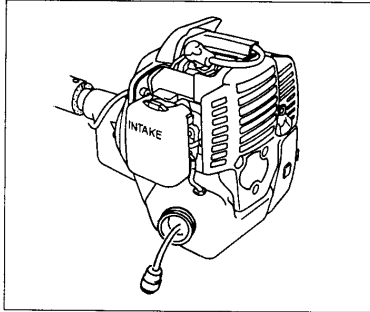


Fig. 3-2C

Fuel Filter (Fig. 3-2B)

Drain all fuel from fuel tank and pull fuel filter line from tank. Pull filter element out of holder assembly and rinse element in warm water with detergent.

Rinse thoroughly until all traces of detergent are eliminated. Squeeze, do not wring, away excess water and allow element to air dry.

NOTE!

If element is hard due to excessive dirt buildup, replace it.

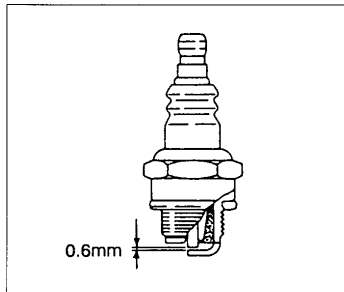


Fig. 3-3

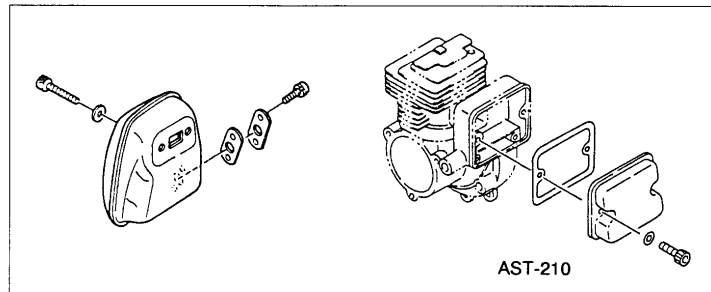


Fig. 3-4

Spark plug (Fig. 3-3)

The spark plug condition is influenced by:

- An incorrect carburetor setting.
- Wrong fuel mixture (too much oil in the gasoline)
- A dirty air filter.
- Hard running conditions (such as cold weather).

These factors cause deposits on the spark plug electrodes, which may result in malfunction and starting difficulties. If the engine is low on power, difficult to start or runs poorly at idling speed, always check the spark plug first. If the spark plug is dirty, clean it and check the electrode gap. Readjust if necessary. The correct gap is 0.6 mm. The spark plug should be replaced after about 100 operation hours or earlier if the electrodes are badly eroded.

NOTE! In some areas, local law requires using a resistor spark plug to suppress ignition signals. If this machine was originally equipped with resistor spark plug, use same type of spark plug for replacement.

Muffler (Fig. 3-4)

Remove the muffler and remove excess carbon from the exhaust port or muffler inlet every 100 hours of operation.

Cylinder (Engine cooling) (Fig. 3-4B)

The engine is air cooled, and air must circulate freely around engine and over cooling fins on cylinder head to prevent overheating.

Every 100 Operating hours, or once a year (more often if conditions require), clean fins and external surfaces of engine of dust, dirt and oil deposits which can contribute to improper cooling.

NOTE!

Do not operate engine with engine shroud or muffler guard removed as this will cause overheating and engine damage.

Flexible drive shaft (Fig. 3-5)

Flexible drive shaft should be removed and lubricated with a good quality lithium grease every 20 hours. To remove the flexible shaft, first remove screw (1), loosen bolt (2) and remove the gear case then pull the shaft out of the drive shaft pipe. Clean the shaft off and apply a generous coat of lithium grease to it and insert it back into the drive shaft pipe, turn it until it drops into place then install the gear case, and install & tighten screw (1) and screw (2).

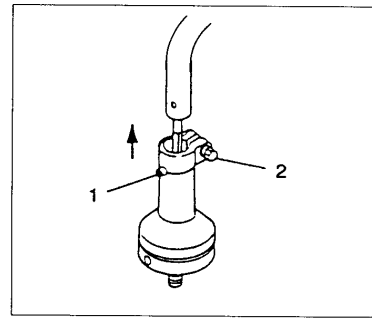


Fig.3-5

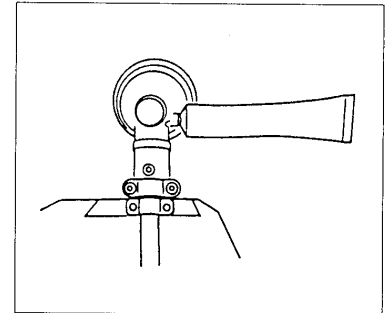


Fig.3-5B

Angle transmission (Fig. 3-5B)

Check angle transmission or angle gear for grease level about every 50 hours of operation by removing the grease filler plug on the side of angle transmission.

If no grease can be seen on the flanks of the gears, fill the transmission with a quality lithium based multipurpose grease up to 3/4 full. Do not completely fill the transmission.

Blade (Fig. 3-6)

WARNING!

Wear protective gloves when handling or performing maintenance on the blade.

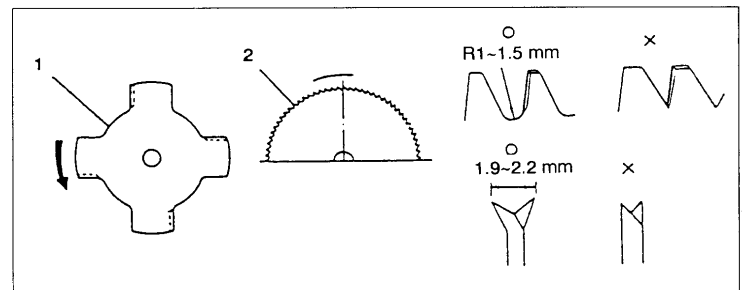


Fig.3-6

- Use a sharp blade. A dull blade is more likely to snag and thrust. Replace the fastening nut if it is damaged and hard to tighten.
- When replacing blade, purchase one recommended by TANAKA, with a 25.4mm (one inch) mounting hole.
- When installing a saw blade (2), always face the stamped side up. In the case of a 4 tooth blade (1), it can be used on either side.
- Use correct blade for the type of work.
- When replacing a blade, use appropriate tools.
- When cutting edges become dull, re-sharpen or file as shown in figure. Incorrect sharpening may cause excessive vibration.
- Discard blades that are bent, warped, cracked, broken or damaged in any way.

NOTE!

When sharpening blade it is important to maintain an original shape of radius at the base of the tooth to avoid cracking.

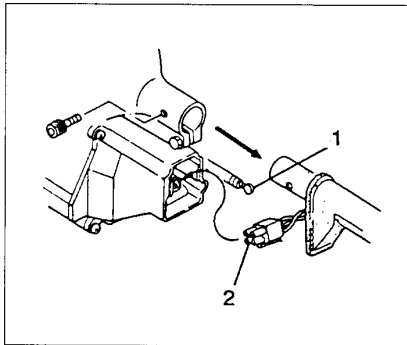


Fig. 3-7

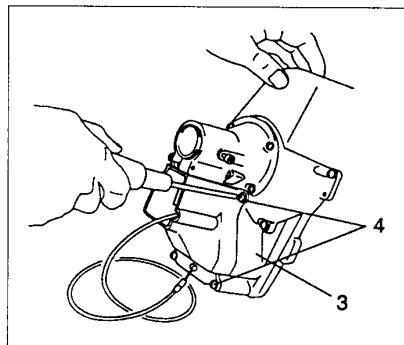


Fig. 3-8

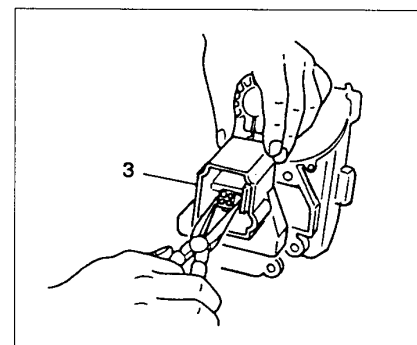


Fig. 3-9

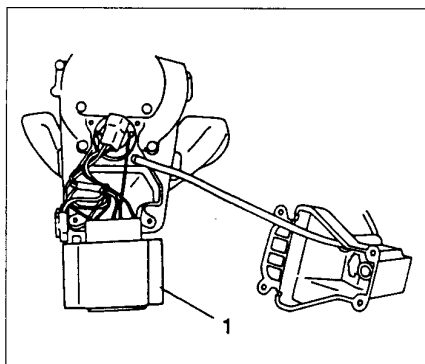


Fig. 3-10

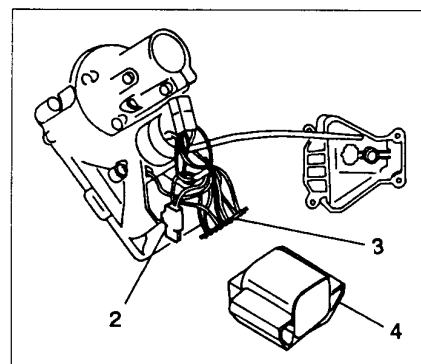


Fig. 3-11

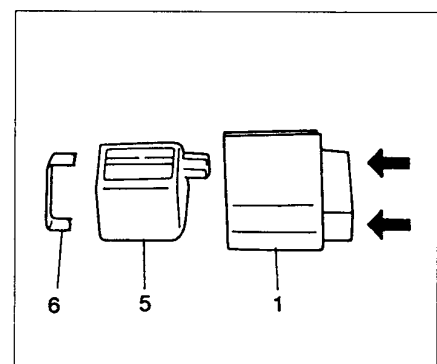


Fig. 3-12

Battery Removal (AST-5000)

1. Separate drive shaft from engine and throttle wire (1) from throttle trigger. Disconnect couplers (2). (Fig. 3-7)
2. Remove four screws (4), which are retaining fan case cover (3). (Fig. 3-8)
3. Bind the female coupler with long nose pliers and push it to separate the coupler from fan case cover (3). (Fig. 3-9)
4. After removing the fan case cover, pull out the battery with the waterproof cover (1). (Fig. 3-10)
5. Disconnect battery couplers (2), pull out circuit plate (3) and then, separate the battery (4) with the waterproof cover from the engine main unit. (Fig. 3-11)
6. Remove vinyl tape (6) which fixes battery (5) on the waterproof cover (1), then push out the battery from the cover (1). (Fig. 3-12)

Maintenance schedule

Below you will find some general maintenance instructions.

For further information please contact your Tanaka service dealer.

Daily maintenance

- Clean the exterior of the unit.
- Check that the harness is undamaged.
- Check the blade guard for damage or cracks. Change the guard in case of impacts or cracks.
- Make sure the cutting attachment is properly centered, sharp, and without cracks. An off-centered cutting attachment induces heavy vibrations that may damage the unit.
- Make sure the cutting attachment nut is sufficiently tightened.
- Make sure that the blade transport guard is undamaged and that it can be securely fitted.
- Make sure fasteners are tightened.

Weekly maintenance

- Check the starter, especially cord and return spring.
- Clean the exterior of the spark plug.
- Remove it and check the electrode gap. Adjust it to 0.6 mm, or change the spark plug.
- Clean the cooling fins on the cylinder and check that the air intake at the starter is not clogged.
- Make sure the gear case is filled with grease up to $\frac{3}{4}$ full.
- Clean the air filter.

Monthly maintenance

- Rinse the fuel tank with gasoline.
- Clean the exterior of the carburetor and the space around it.
- Clean the fan and the space around it.

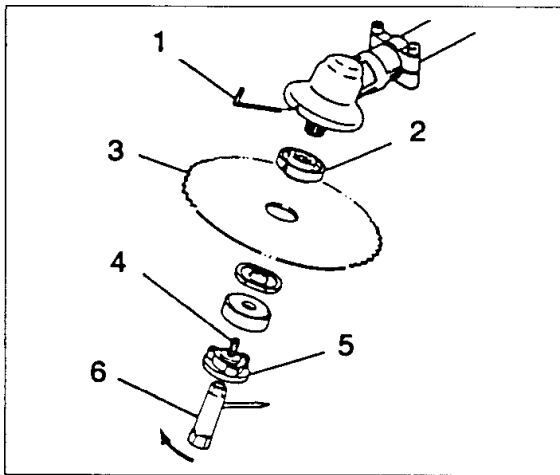


Fig. 4-1

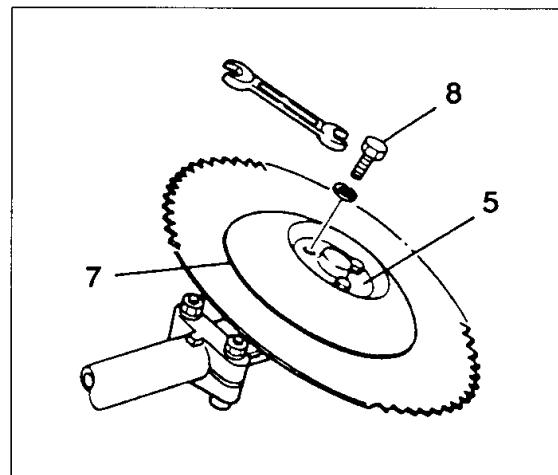


Fig. 4-1B

6. Optional

Installation of free disk set (optional) (Fig. 4-1, 1 B)





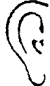
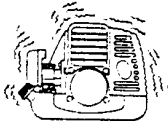
- 1) Disassemble free disk (7) from the free disk set by loosening three bolts (8).
- 2) Place blade (3) as shown in drawing. Disk fixing bolt (4) is left-hand threaded ' Use special care to fix blade firmly. Use alien wrench (1) to hold cutter holder (2) so that you may easily tighten up disk fixing bolt (4) with wrench (6).
- 3) Make sure cutting blade is fixed securely, attach free disk (7) to disk fixing metal (5) with three bolts (8).

Spark arrestor

If your unit comes with a spark arrestor screen and your local regulation requires use of spark arrestor screens for fire prevention, please attach it to the muffler by removing muffler protector and other related parts.

(The spark arrestor meets the regulation of SAE J335-SEP90 and CSA CAN3-Z62. 1 -M77)

7. Specifications

(En) MODEL	AST-210	AST-5000
Engine Size (ml)	20 (1.2 cu. in.)	←
		
Spark Plug	NGK BPM-6A or BPMR-6A	←
		
Fuel Tank Capacity (l)	0.33 (11.2 fl.oz)	0.54 (18.3 fl.oz)
		
Dry Weight (kg)	5.4 (11.8 lbs)	5.3 (11.7 lbs)
	SDH	
Sound pressure level (dB(A))	SDH	93.6
		
Sound power level (dB(A))	SDH	101.1
Vibration level (m/s ²)		
Idling (Front handle)		
Idling (Rear handle)		
Racing (Front handle)		
Racing (Rear handle)		
Idling (Left handle)		2.1
Idling (Right handle)		2.7
Racing (Left handle)		1.8
Racing (Right handle)		2.2
		

Note : Sound levels are calculated as the time-weighted energy total under various working conditions with the following time distribution : 1/2 idling, 1/2 racing.

* All data subject to change without notice.

Declaration of conformity
D6claration de conformit6
Dichiarazione di conformita
Konformitiitserkliirung
Declaraci6n de conformidad
Konformitetsdeklaration

We, Tanaka Kogyo Co., Ltd., 3-4-29 Tsudanuma, Narashino, Chiba, Japan
 Nous, soussign6s,
 Noi,
 Der unterzeichnete,
 Nosotros,
 Vi,

AST-210, AST-5000

Declare under our sole responsibility that the product, grass trimmer model
 D6clarons sous notre seule responsabilit6 que le-produit en question, tondeuse de gazon mod~le
 Dichiariamo sotto la nostra unica responsabilita che il prodotto, il bordatore modello
 Erklart unter, eigener Verantwortung, daB das Produkt, rasenmaher modell
 Declaramos dajo nuestra 6nica responsabilidad que el producto, corta-cespedes modelo
 F6rklarar harmed pd eget ansvar att denna produkt, grsaklippare modell

to which this declaration relates is in conformity with the essential safety requirements of directives.
 laquelle se rapporte la pr6sente ddclaration est conforme aux directives concernant les conditions de s6curit6
 essentielles.
 al quale questa dichiarazione si riferisce, ~ conforme ai requisiti di sicurezza essenziali delle direttive.
 f6r das these Erklar-ung gilt, den wesentlichen Sicherheitsanforderungen der Directive entspricht.
 que corresponde a esta declaraci6n, satisface la (s) siguiente (s) exigencia (s) de seguridad esencial (es) de las
 directivas.
 till vilken denna deklaration tillh6r, uppfyller samtliga vasentliga sakerhetskrav f6reskrivna i ber6rda direktiv.

89/392/EEC, 91/368/EEC, 93/44/EEC, 93/68/EEC, EMC89/336/EEC

The following standards have been taken into consideration ISO 7112/7113/7916/7917/7918/8380/11682
(EN-292-2, EN ISO 11806)

Les normes suivantes ont 6t6 prises en consid6ration. Sono
 stati presi in considerazione i seguenti standard. Die
 nachfolgenden Standards wurden in Betracht gezogen. Se
 han tenido en consideraci6n las siguientes normas. Vi har
 tagit hansyn till f6ljande standards.

Manufactured at:	Chiba, Japan	Serial No. up from	v001001
Fait A:		No. de s6ric A partir de	
Luogo:		Num. di serie da	
Erstellt in:		Scrien-Nr. ab	
Fabricado en:		No. de Serie de	
Tillverkad av:		Serienr fr.o.m.	en adelante

Signature:
 Signature:
 Firma: Seiji Tanaka
 Unterschrift:
 Fimado:
 Signatur:



Position: Vice president
 Function: Vice-pr6sident
 Incarico: Vicepresidente
 Titel: Stellvertretender Vorsitzender
 Cargo: Vicepresidente
 Befatning: Vice President

IMPORTANT NOTICE

THIS INFORMATION IS FOR THE US AND CANADIAN MARKETS ONLY.

- To reduce the risk of injury from loss of control, never use a metal blade on a curved shaft grass trimmer.
- Never use a metal blade on any brushcutter without barrier bar or bicycle handle configuration and safety strap and approve guard.
- Use only attachments or accessories designed for your unit. Although some unauthorized parts may be adaptable, their use may be extremely dangerous and could cause serious injury or death.

Tanaka offers the following kits and accessories for use on Tanaka trimmers and brushcutters.

Blade conversion Kit #748501

Tanaka straight shaft models: AST-210, TBC-2211, TBC-2510 , TBC-270PF and TBC-270PN, this kit to be converted to metal blade-capable brush cutters.

It contains a safety barrier bar, safety shoulder harness and the necessary blade mounting hardware. See your Tanaka dealer for more details.

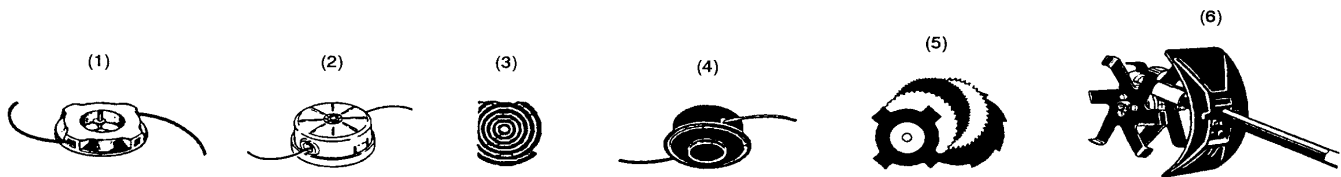
WARNING!

The blade conversion kit **MUST** be used when operating these models with blades and do not install without the use of the blade-securing cotter pin (included in the conversion kit). Proper installation of all blade-mounting hardware is required when converting a grass trimmer to a blade-capable brush cutter. Consult your Tanaka dealer if you are uncertain about any aspect of blade use on your Tanaka unit.

Bicycle Style Handle Kit #748502

This kit converts models TBC-2510 and TBC-3010 from D style handle to dual handled style brushcutters.

Cutting Attachments for Tanaka Trimmers and Brushcutters



(1) Fixed line commercial cutting heads offer excellent durability and light weight. Great for commercial use.

(2) Tanaka Brain fully automatic heads. The Brain senses when more line is needed and utilizes centrifugal force to always feed the perfect length of line.

(3) Copolymer nylon cutting line. Easy to load into any trimmer head. Resilient, flexible and melt resistant.

(4) Bump feed semi-automatic heads. For use on curved and straight shaft trimmers. Simple construction provides for dependable performance.

(5) Cutting blades. Various sizes and configuration of steel brushcutter blades to accommodate any brushcutting application.

(6) Cultivator attachment. Ideal for quick garden/ flower bed weeding and cultivation. Simple and easy installation.

Free Manuals Download Website

<http://myh66.com>

<http://usermanuals.us>

<http://www.somanuals.com>

<http://www.4manuals.cc>

<http://www.manual-lib.com>

<http://www.404manual.com>

<http://www.luxmanual.com>

<http://aubethermostatmanual.com>

Golf course search by state

<http://golfingnear.com>

Email search by domain

<http://emailbydomain.com>

Auto manuals search

<http://auto.somanuals.com>

TV manuals search

<http://tv.somanuals.com>