

Tanaka Illustrated Parts Manual

Model Number:

TBC-340PF,PFD

GRASS TRIMMER / BRUSHCUTTER

P/N 32348

Rev 000

Date 7-15-08

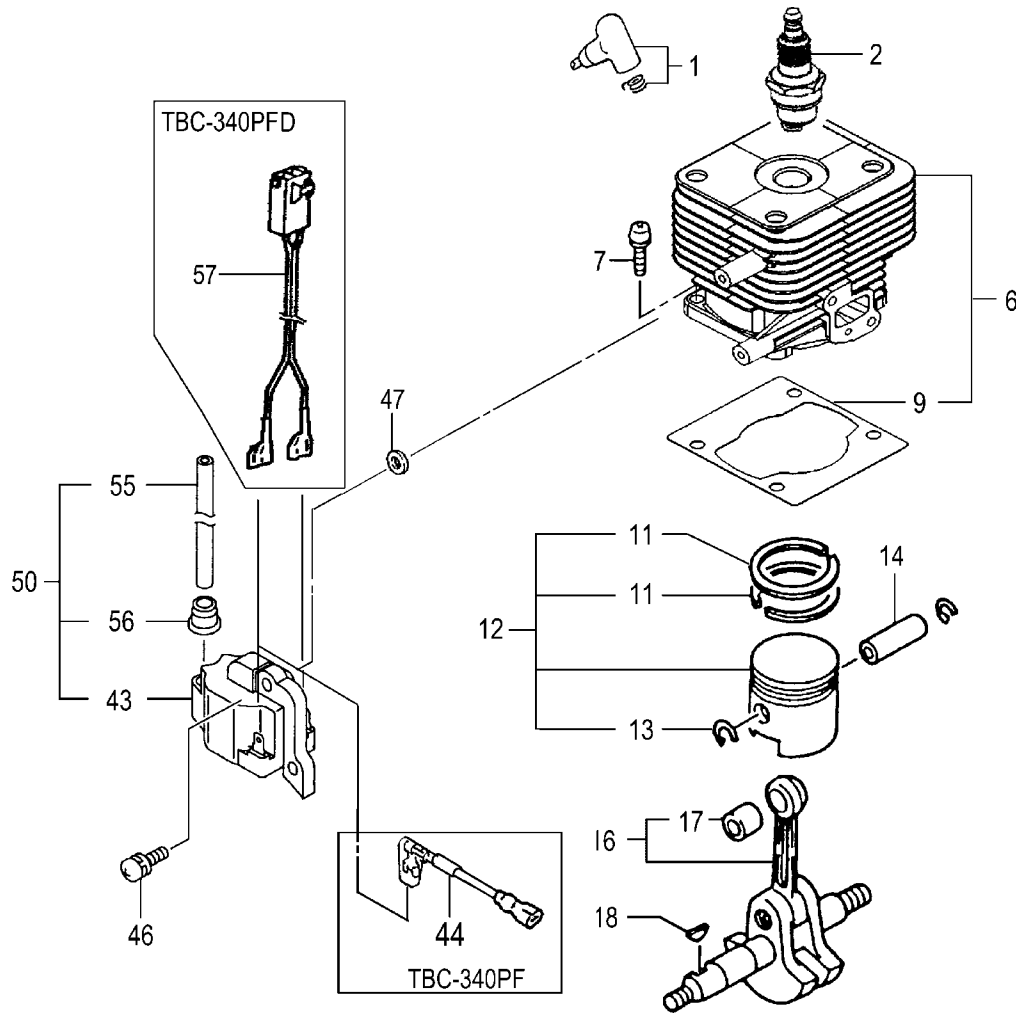


Supplier To The Outdoor Power Equipment Industry

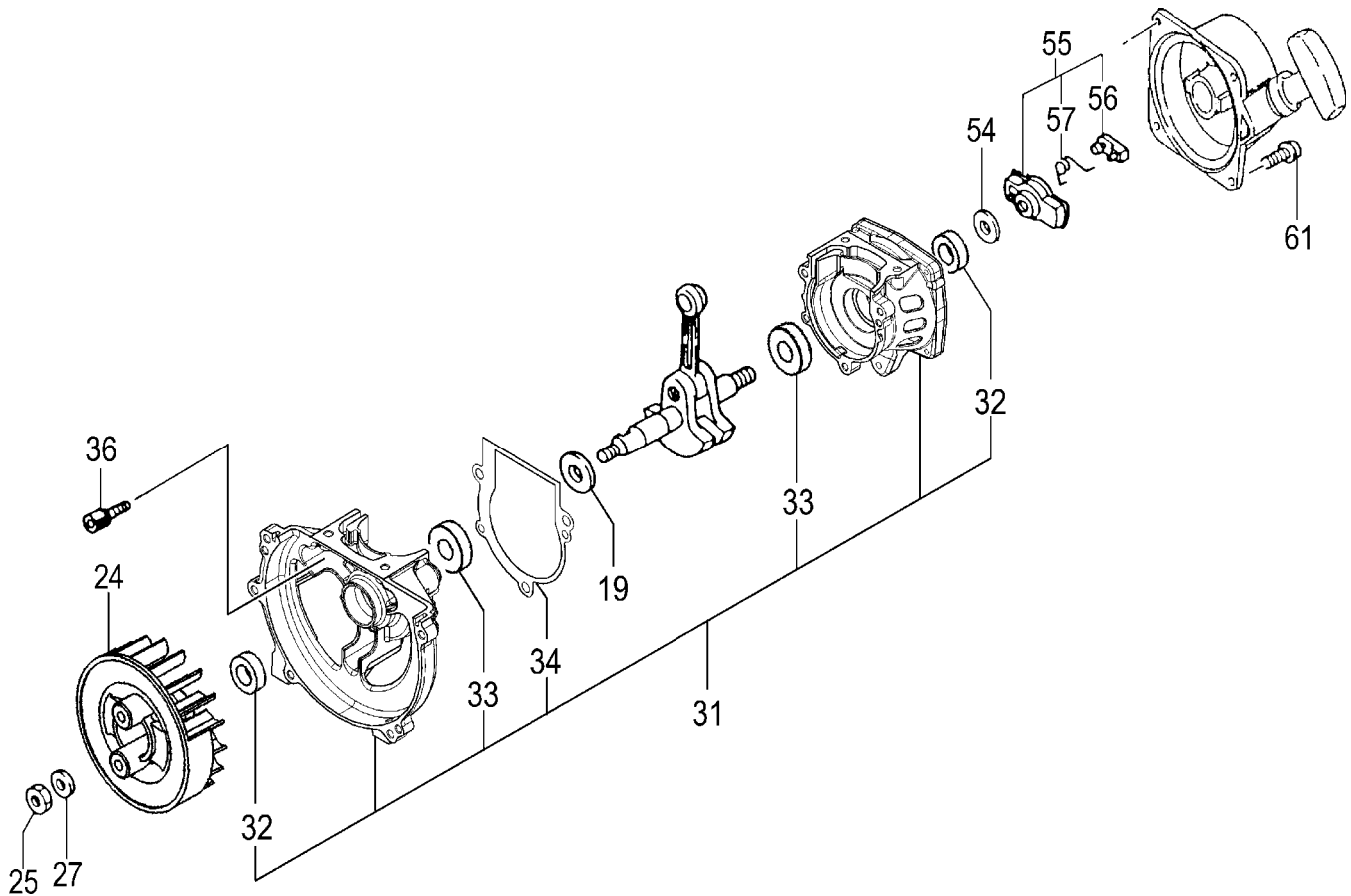
Tanaka America • 1028 4th Street SW Ste "B" • Auburn, WA 98001 • Phone: (253) 333-1200 • Fax: (253) 333-1212

www.tanaka-usa.com

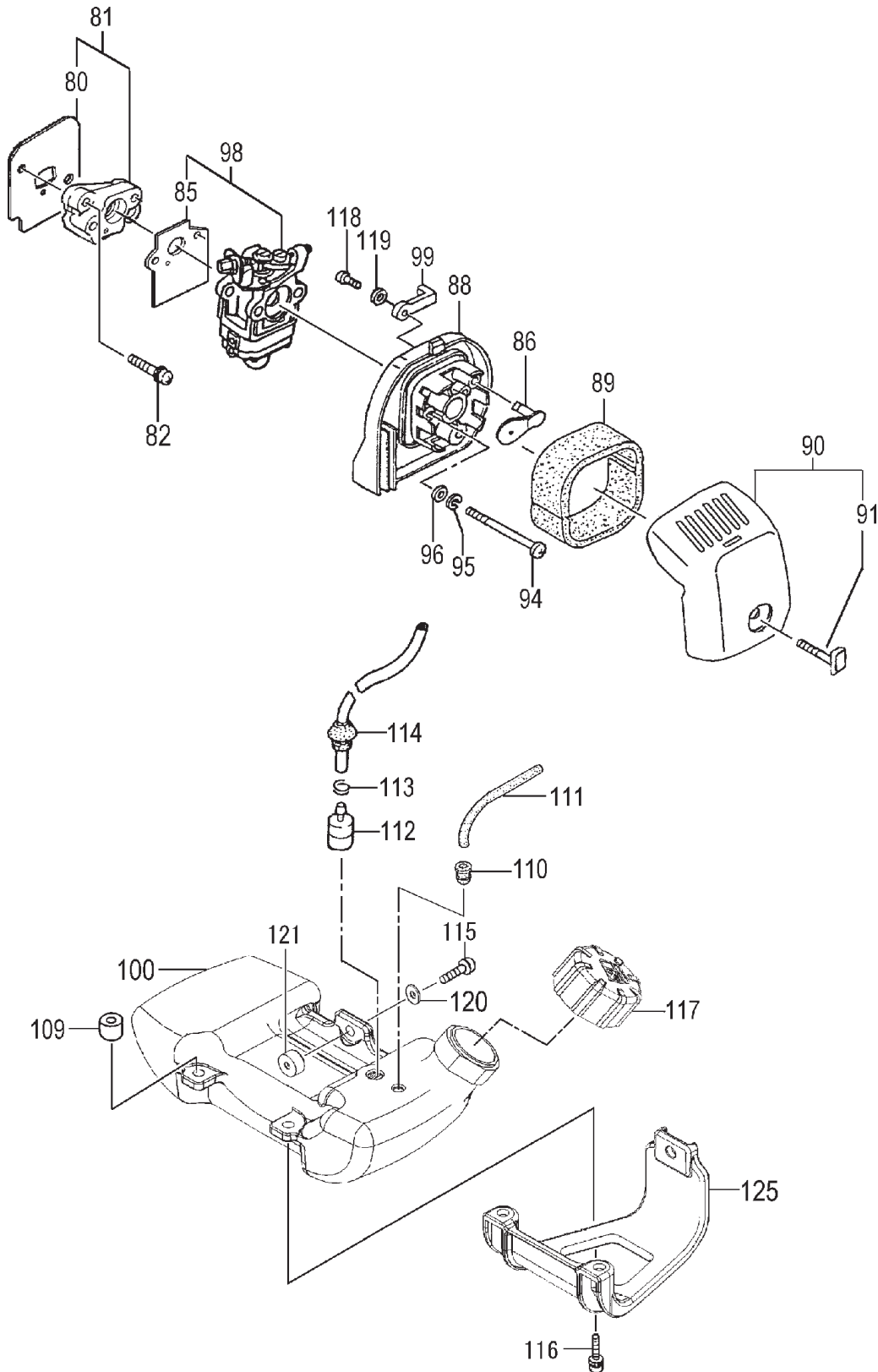
custsvc@tanaka-usa.com



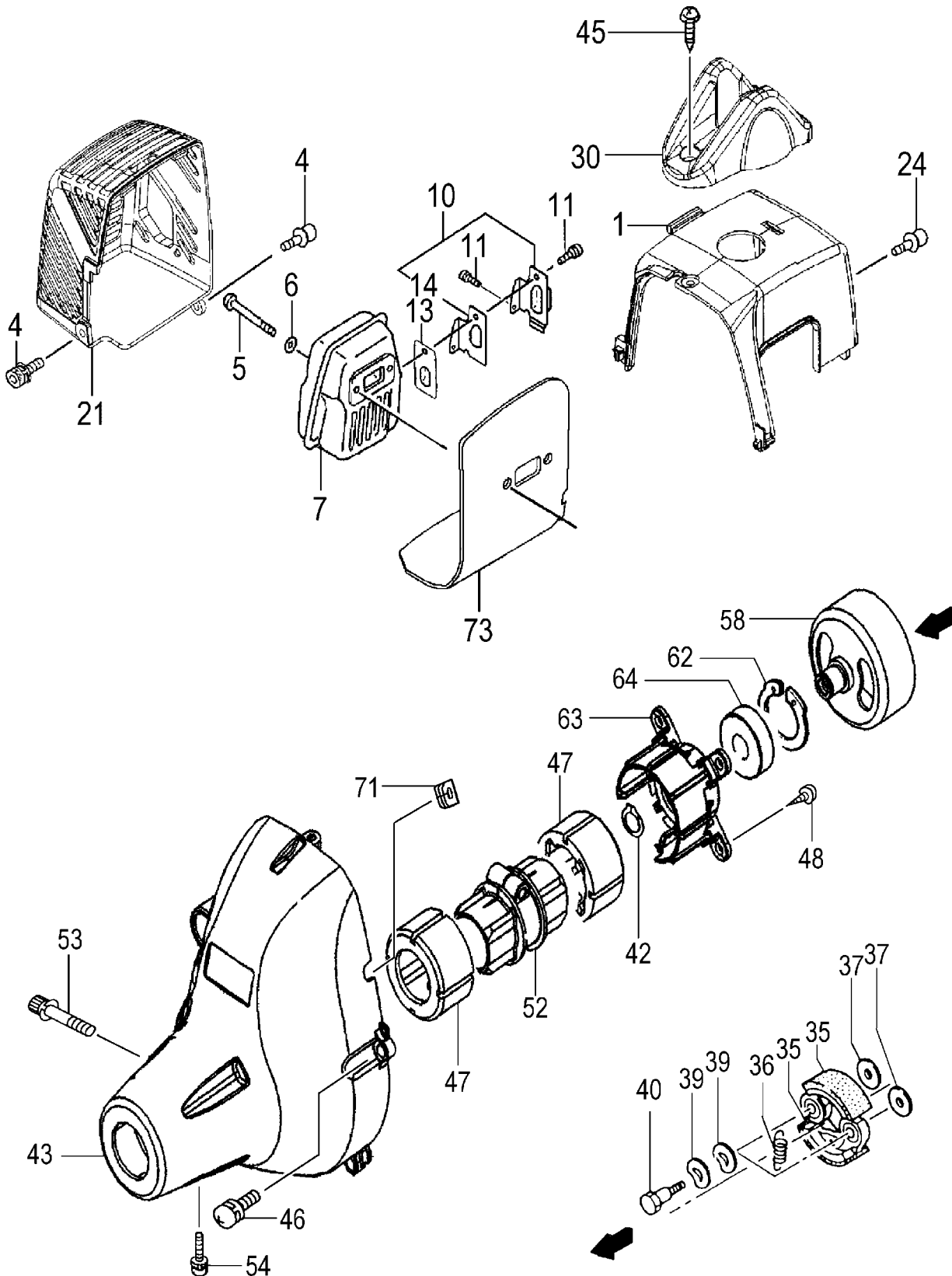
ITEM	PART NUMBER	DESCRIPTION	QTY	COMMENTS
1-1	15701570900	CAP,SPARK PLUG,ASSEMBLY	1	
1-2	0181161021	PLUG,SPARK	1	
1-6	0010725090	CYLINDER SET	1	Includes gasket
1-7	99461050164	BOLT,HEX,5X16,S	4	
1-9	0170725020	GASKET,CYLINDER	1	
1-11	04101730200	RING,PISTON	2	
1-12	0300703091	PISTON SET	1	Includes rings and circlips
1-13	03900000201	CIRCLIP,PISTON PIN	2	
1-14	03701400200	PIN,PISTON	1	
1-16	0460703A81	CRANKSHAFT	1	
1-17	99962091325	BEARING,NEEDLE,F-910	1	
1-18	06810100200	KEY,WOODRUFF,3X13X4.5	1	
1-44	1780703B80	CORD,STOP B	2	
1-46	99464040184	BOLT,HEXT 4X18WS	1	
1-47	1820186A201	WASHER,SPECIAL	2	
1-50	1672054691	COIL,IGNITION	1	
1-55	1782055320	WIRE,HIGH TENSION,180L	1	
1-56	56020517200	CAP,RUBBER	1	
1-57	1910702590	WIRE,LEAD ASS'Y	1	



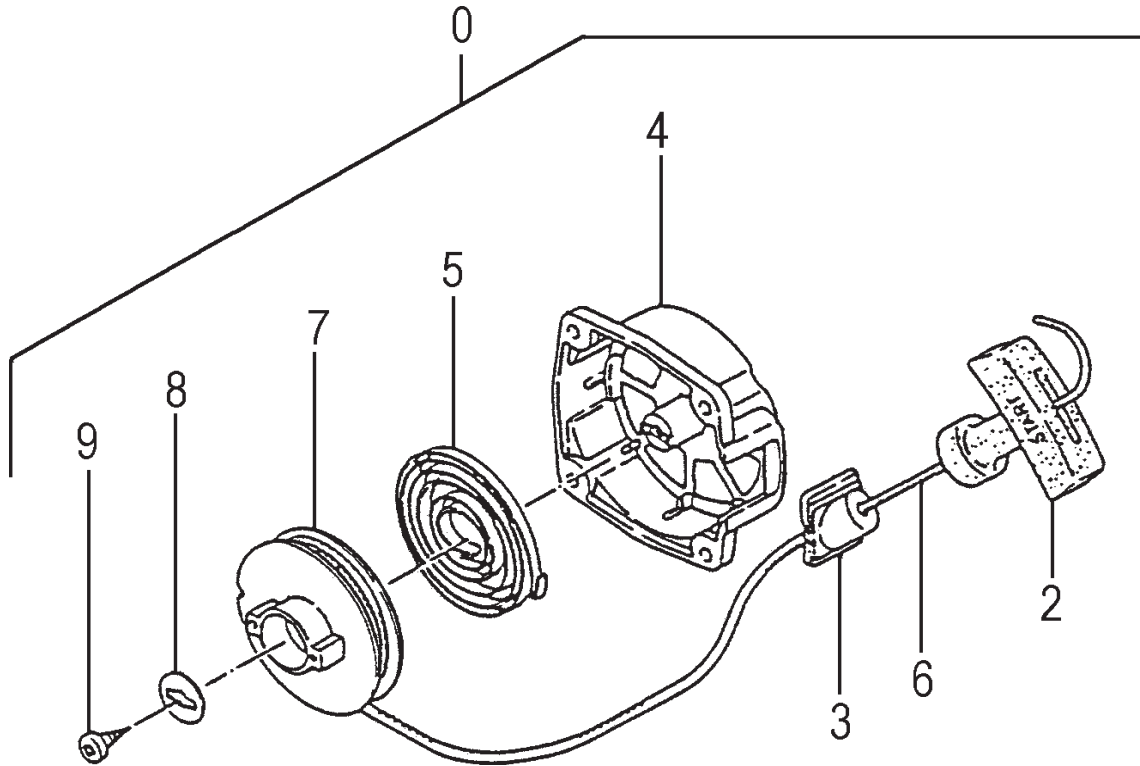
ITEM	PART NUMBER	DESCRIPTION	QTY	COMMENTS
2-19	33000200210	SHIM,12.2X19X.10	1	
2-19	33000200220	SHIM,12.2X19X.15	1	
2-19	33000200230	SHIM,12.2X19X.20	1	
2-19	33000200240	SHIM,12.2X19X.30	1	
2-24	1552054980	ROTOR,MAGNETO	1	
2-25	99101080011	NUT,8	1	
2-27	99200080011	WASHER,8	1	
2-31	0720725090	CRANKCASE ASSY	1	Includes bearings, seals and gasket
2-32	99966122240	SEAL,OIL,#12227	2	
2-33	99961600115	BEARING,BALL,6001 C3	2	
2-34	0900725020	GASKET,CRANKCASE	1	
2-36	99461050164	BOLT,HEX,5X16,S	3	
2-54	99201080011	WASHER,8	1	
2-55	7980166R90	PULLEY,STARTER,ASS'Y	1	
2-56	7880138A20	PAWL,STARTER	1	
2-57	7900162V200	SPRING,PAWL,STARTER	1	
2-61	99464040185	BOLT,HEX,4x18WS	2	



ITEM	PART NUMBER	DESCRIPTION	QTY	COMMENTS
3-80	4030702021	GASKET,INLET MANIFOLD	1	
3-81	4040702091	INSULATOR SET	1	
3-82	99464050254	BOLT,HEX HOLE,5X25WS	2	
3-85	4020656A200	GASKET	1	
3-86	5280652N22	PLATE,CHOKE,2.0	1	
3-88	4230652N80	BODY,AIR CLEANER	1	
3-89	4460652N20	CLEANER,ELEMENT	1	
3-90	4520304690	COVER,BLACK	1	
3-91	4500702480	BOLT,CLEANER COVER	1	
3-94	99051050553	BOLT,HEX,5X55	2	
3-95	99210050012	WASHER,S,5	2	
3-96	99200050011	WASHER,SMALL,5	2	
3-98	4550304590	CARBURETOR SET	1	
3-99	5230652N20	LEVER,CHOKE	1	
3-100	5910725520	TANK,FUEL,ORANGE	1	Before S/N ~D000000
3-100	5910725F20	TANK,FUEL,EVAPO	1	After S/N D000001~
3-109	6590430020	COLLAR,C	3	
3-110	53432710200	GROMMET,FUEL PIPE	1	
3-111	7000300508	PIPE,FUEL,3X5X85	1	
3-112	6750404280	FILTER,FUEL	1	
3-113	68000731201	CLIP 6.3	1	
3-114	2230162V900	PIPE,FUEL,ASS'Y	1	
3-115	99461050304	BOLT,HEX,5X30S	1	
3-116	99463050204	BOLT, HEX 5X20	2	
3-117	5950300290	CAP,TANK (BLACK/RED)	1	
3-118	99075040154	SCREW,TAPPING,4X15	1	
3-119	99201040011	WASHER,4	1	
3-120	99201050061	WASHER,5	1	
3-121	6490725020	COLLAR,TANK	1	
3-125	9400725020	BED,ENGINE	1	



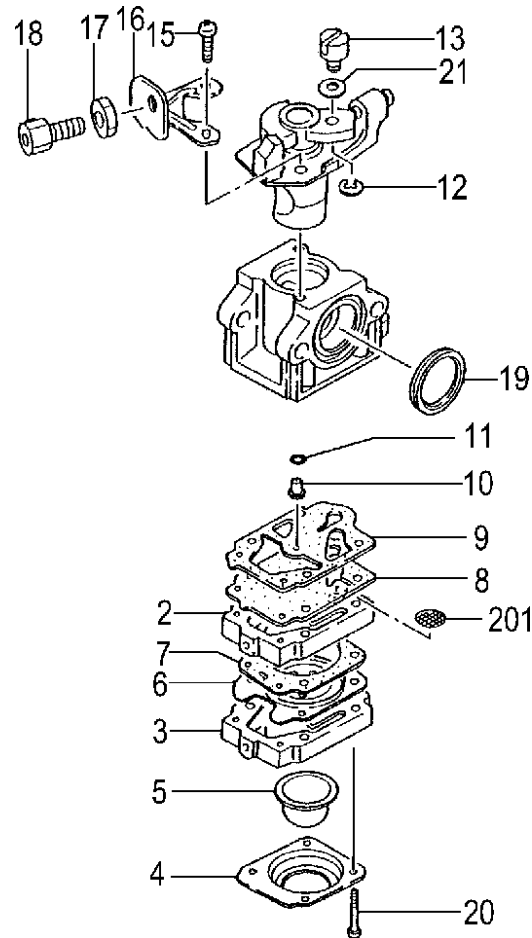
ITEM	PART NUMBER	DESCRIPTION	QTY	COMMENTS
4-1	0160725020	COVER,CYLINDER	1	
4-4	99463050164	BOLT,HEX,5X16,PS	2	
4-5	99053060653	SCREW,HEX,6X65	2	
4-6	99201060011	WASHER,6	2	
4-7	7060725080	MUFFLER	1	
4-10	7340725590	TAIL PIPE SET	1	
4-11	99436040081	SCREW,4X18WS	2	
4-13	7320725020	ARRESTER,SPARK	1	
4-14	7510725020	GASKET,MUFFLER	1	
4-21	7380725020	PROTECTOR,MUFFLER	1	
4-24	99464040185	BOLT,HEX,4x18WS	2	
4-30	2570725020	COVER,PLUG	1	
4-35	2900138A80	SHOE,CLUTCH	2	
4-36	3420138A20	SPRING,CLUTCH	1	
4-37	35910112203	WASHER,CLUTCH B	2	
4-39	99204100030	WASHER,WAVE,10	4	
4-40	3570136U200	BOLT,STEP,CLUTCH	2	
4-42	99350012002	RING,STOP,C-12 EX	1	
4-43	1120702181	CASE,FAN	1	
4-45	99073045144	SCREW,TAPPING 4.5x14	1	
4-46	99464050184	BOLT,HEX,5X18,WS	4	
4-47	5990702020	CUSHION	2	
4-48	99072050144	SCREW,TAPPING,5X14	4	
4-52	3600703020	HOLDER,PIPE	1	
4-53	99461050254	BOLT,HEX HOLE,5X25S	1	
4-54	99414040121	SCREW,4X12/S	1	
4-58	2890703180	SHAFT,CLUTCH	1	
4-62	99353032002	RING,STOP,R-32 INNER	1	
4-63	0880702020	CASE,BEARING	1	
4-64	99961620101	BEARING,BALL #6201ZZ	1	
4-71	20311660200	GROMMET,PRIMARY CORD	1	
4-73	1330725020	SHIELD,HEAT	1	



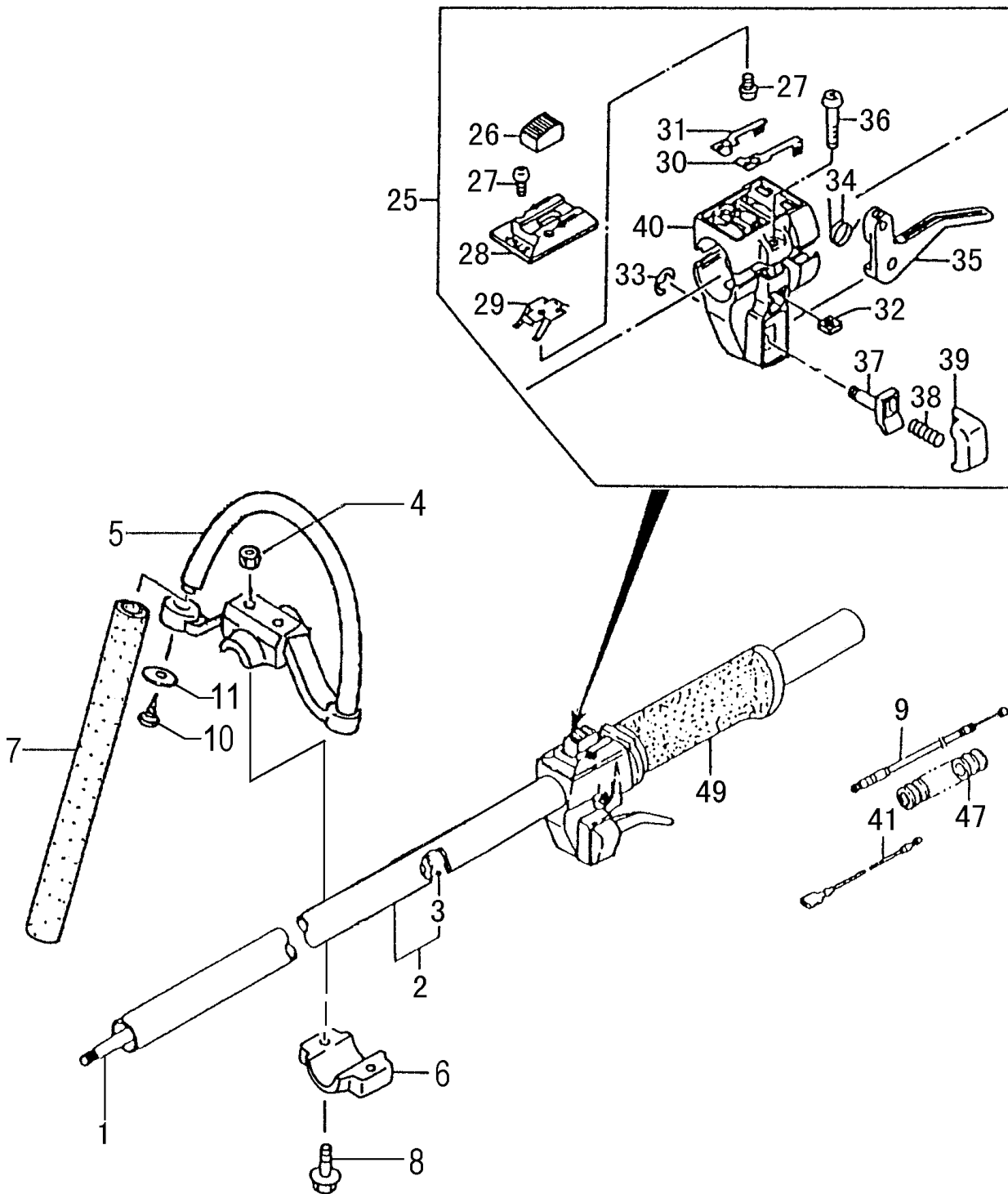
748732

Consider ordering the 748732, S-Start Kit if you are replacing the starter ass'y. It decreases the pull-effort by 60%. They are dependable and easy to install.

ITEM	PART NUMBER	DESCRIPTION	QTY	COMMENTS
5-0	7620162V900	STARTER,RECOIL ASS'Y	1	
5-2	78501620200	HANDLE,STARTER	1	
5-3	78006150200	GUIDE,ROPE	1	
5-4	77206150200	BODY,RECOIL STARTER	1	
5-5	7790136U200	SPRING,RECOIL	1	
5-6	7830162V200	ROPE,STARTER,3.5X890	1	
5-7	7740162V200	REEL,STARTER ROPE	1	
5-8	8010162V200	WASHER,ROPE REEL	1	
5-9	83900025200	SCREW,SET	1	

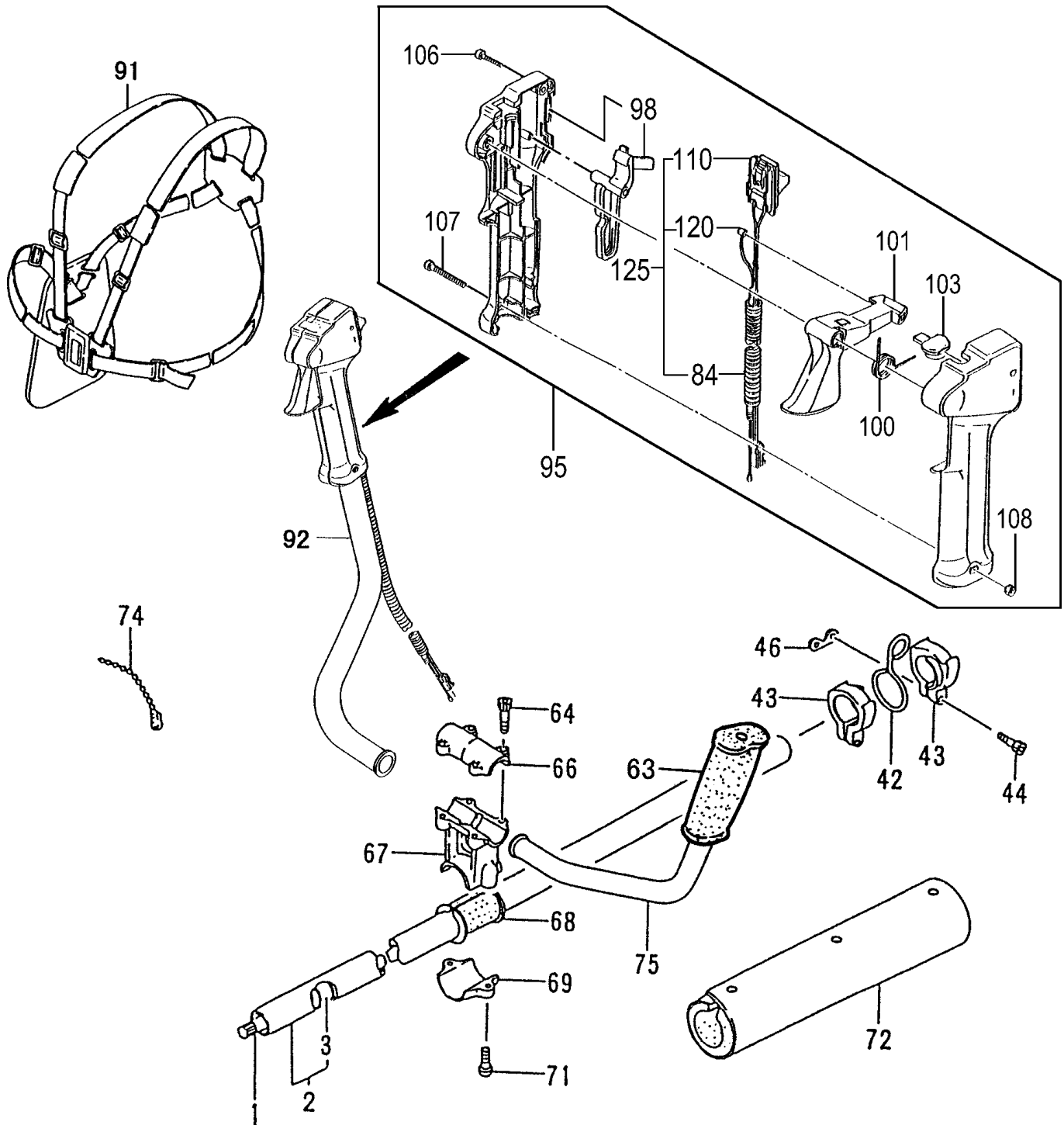


ITEM	PART NUMBER	DESCRIPTION	QTY	COMMENTS
6-0	4550304590	CARBURETOR SET	1	Includes gasket
6-2	5752515380	BODY,PUMP	1	
6-3	4422515180	PUMP,PRIMING	1	
6-4	4762515120	COVER,DIAPHRAGM	1	
6-5	44725108200	BULB,PRIMING	1	
6-6	~ ~ ~	METERING DIAPHRAGM	1	~ Included in 650.25124.900 Carb Kit
6-7	~ ~ ~	DIAPHRAGM GASKET	1	(individual parts not sold separately)
6-8	~ ~ ~	PUMP DIAPHRAGM	1	
6-9	~ ~ ~	PUMP GASKET	1	
6-10	5992001W38	JET,MAIN LONG #38	1	
6-11	55025100200	O-RING	1	
6-12	48925100200	RING,STOP	1	
6-13	53925120200	SWIVEL	1	
6-15	51425100200	SCREW,THROTTLE SET	2	
6-16	54425164200	STAY,ADJUST,CABLE	1	
6-17	99101060003	NUT,6	1	
6-18	61425137200	ADJUSTER,CABLE	1	
6-19	4310634C200	GASKET,CLEANER	1	
6-20	5482515120	SCREW,SET	4	
6-21	5492516520	WASHER,THRUST	1	
6-201	57825007200	SCREEN,INLET	1	

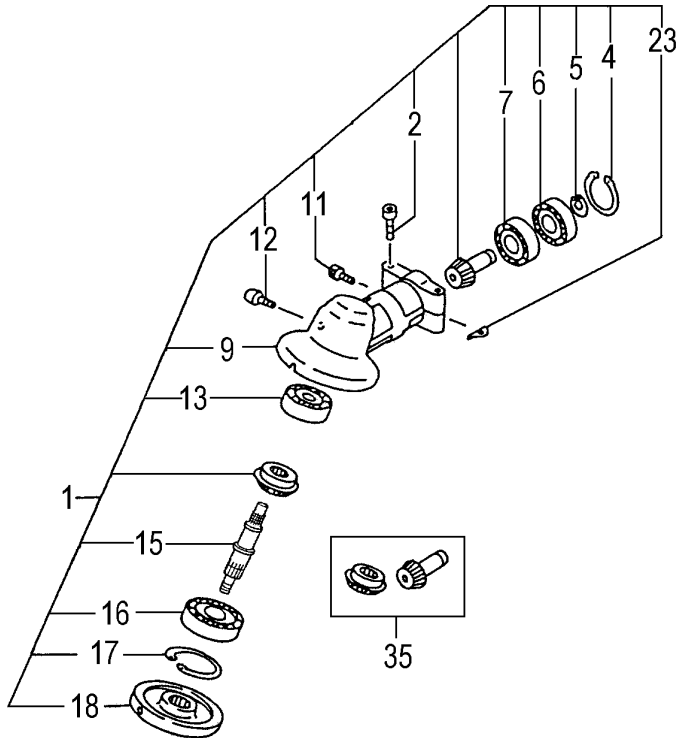


HANDLE, THROTTLE LEVER, SHAFT (TBC-340PF) • FIGURE 7

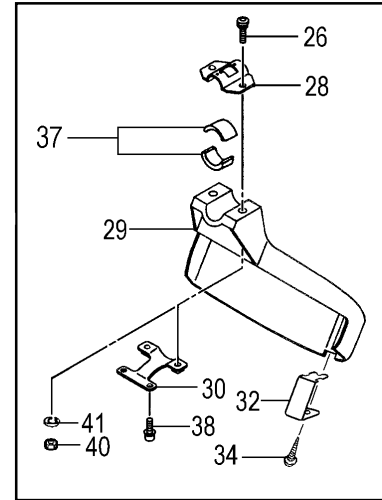
ITEM	PART NUMBER	DESCRIPTION	QTY	COMMENTS
7-1	3433830220	SHAFT,DRIVE	1	
7-2	3413830081	PIPE,DRIVE SHAFT	1	
7-3	34737356900	BUSHING,DRIVE SHAFT	5	
7-4	99101060041	NUT,6	2	
7-5	5003738E20	HANDLE,FRONT	1	
7-6	50633560200	BRACKET,HANDLE,BLACK	1	
7-7	5033738E20	GRIP,HANDLE	1	
7-8	99423060432	BOLT,6X43	2	
7-9	8853739480	WIRE,THROTTLE	1	
7-10	99311052012	SCREW,TAPPING 5X20	1	
7-11	36832350200	WASHER,BRAKE SHAFT	1	
7-25	8703738F90	LEVER,THROTTLE ASS'Y	1	
7-26	1623710120	SWITCH,STOP	1	
7-27	99342030081	SCREW,TAPPING,3X8	3	
7-28	25937101200	BASE,STOP SWITCH	1	
7-29	26237101200	SPRING,STOP SWITCH	1	
7-30	17737101200	TERMINAL,EARTH B	1	
7-31	17637101200	TERMINAL,EARTH A	1	
7-32	3153334020	NUT,SPECIAL 5MM	2	
7-33	99355060001	RING,STOP,6	1	
7-34	83237101200	SPRING,RETURN	1	
7-35	8803728620	ARM,THROTTLE	1	
7-36	99431050201	SCREW,5X20	2	
7-37	85337101200	SHAFT,LOCK BUTTON	1	
7-38	95837101200	SPRING,LOCK,BUTTON	1	
7-39	95637101200	BUTTON,LOCK	1	
7-40	2603334020	BODY,STOP BUTTON,B	1	
7-41	1783739480	CORD,STOP 430mm	2	
7-47	1641002301	TUBE,PROTECTION,10X230	1	
7-49	50437003200	GRIP,SHAFT	1	



ITEM	PART NUMBER	DESCRIPTION	QTY	COMMENTS
8-1	3433830220	SHAFT,DRIVE	1	
8-2	3413830081	PIPE,DRIVE SHAFT	1	
8-3	34737356900	BUSHING,DRIVE SHAFT	5	
8-42	33537307200	METAL,LIFTING	1	
8-43	33437352210	COLLAR,LIFTING METAL	2	
8-44	99462050304	BOLT,HEX HOLE 5x30.P	2	
8-46	31537304200	NUT,SPECIAL	1	
8-63	1653759020	GRIP,HANDLE	1	
8-64	99461050254	BOLT,HEX HOLE,5X25S	4	
8-66	50637623200	BRACKET,HANDLE,A	1	
8-67	5073785020	HANDLE BRACKET B	1	
8-69	5083758920	BRACKET,HANDLE	1	
8-71	99481060254	SCREW,HEX HOLE 6X25	2	
8-72	3363341182	CUSHION	1	
8-74	4603311120	CLAMP,B	1	
8-75	5023741521	HANDLE,LEFT	1	
8-84	1640708650	TUBE,PROTECTION,7X865	1	
8-91	746291	STRAP,SHOULDER	1	
8-92	5013716920	HANDLE,RIGHT	1	
8-95	8703840190	LEVER,THROTTLE ASSY	1	
8-98	2533840020	LEVER,SAFETY	1	
8-100	8323840020	SPRING,RETURN	1	
8-101	8803840120	LEVER,THROTTLE	1	
8-103	3223840020	GROMMET	1	
8-106	9934604020	SCREW,4X20	2	
8-107	99431050303	SCREW 5X30 BLACK	1	
8-108	99101050043	NUT,5	1	
8-110	1563840180	SWITCH,STOP	1	
8-120	8873840180	WIRE,THROTTLE	1	
8-125	8853840180	WIRE,THROTTLE,W/SWITCH	1	

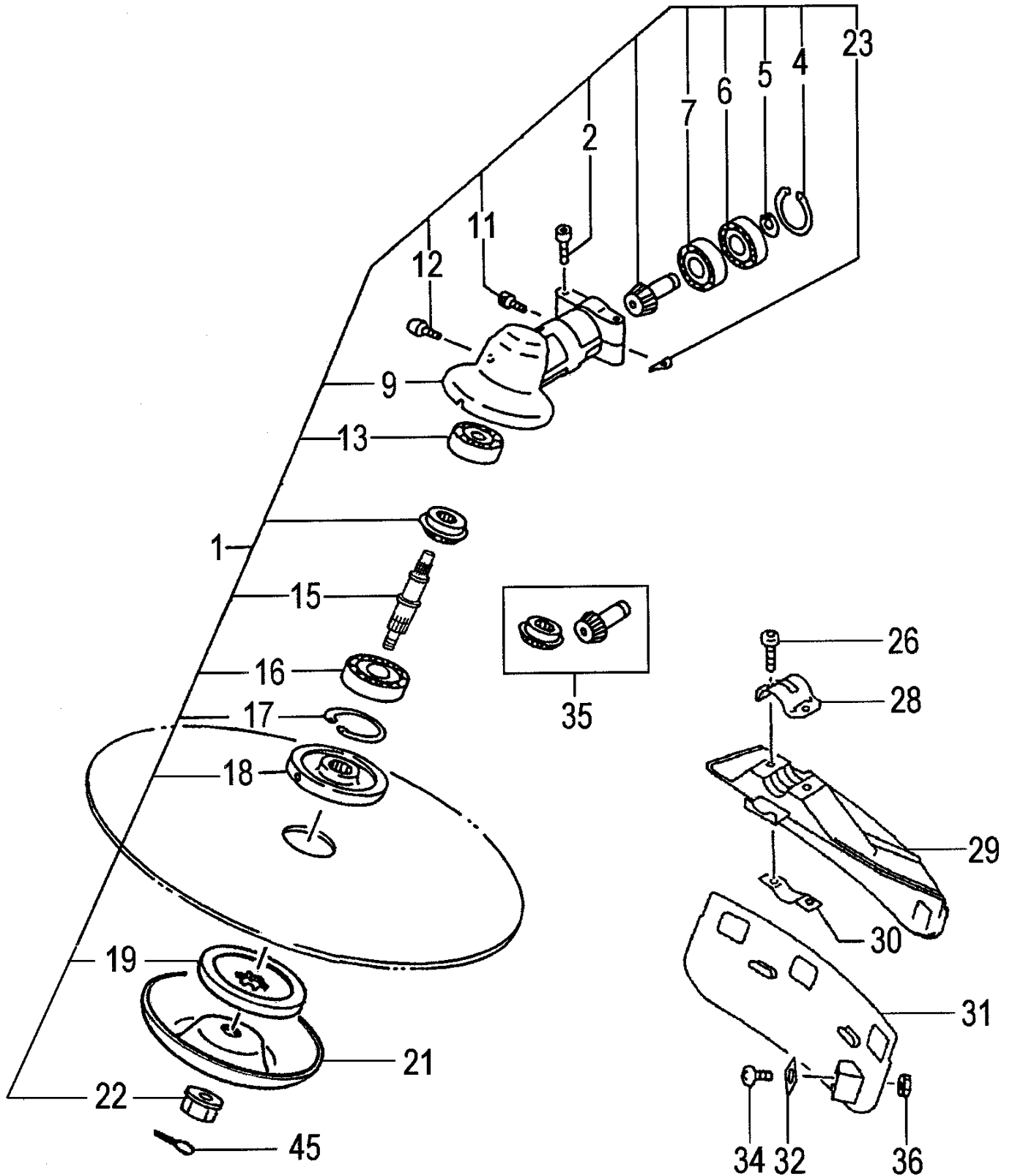


441-37587-00 Guard Kit

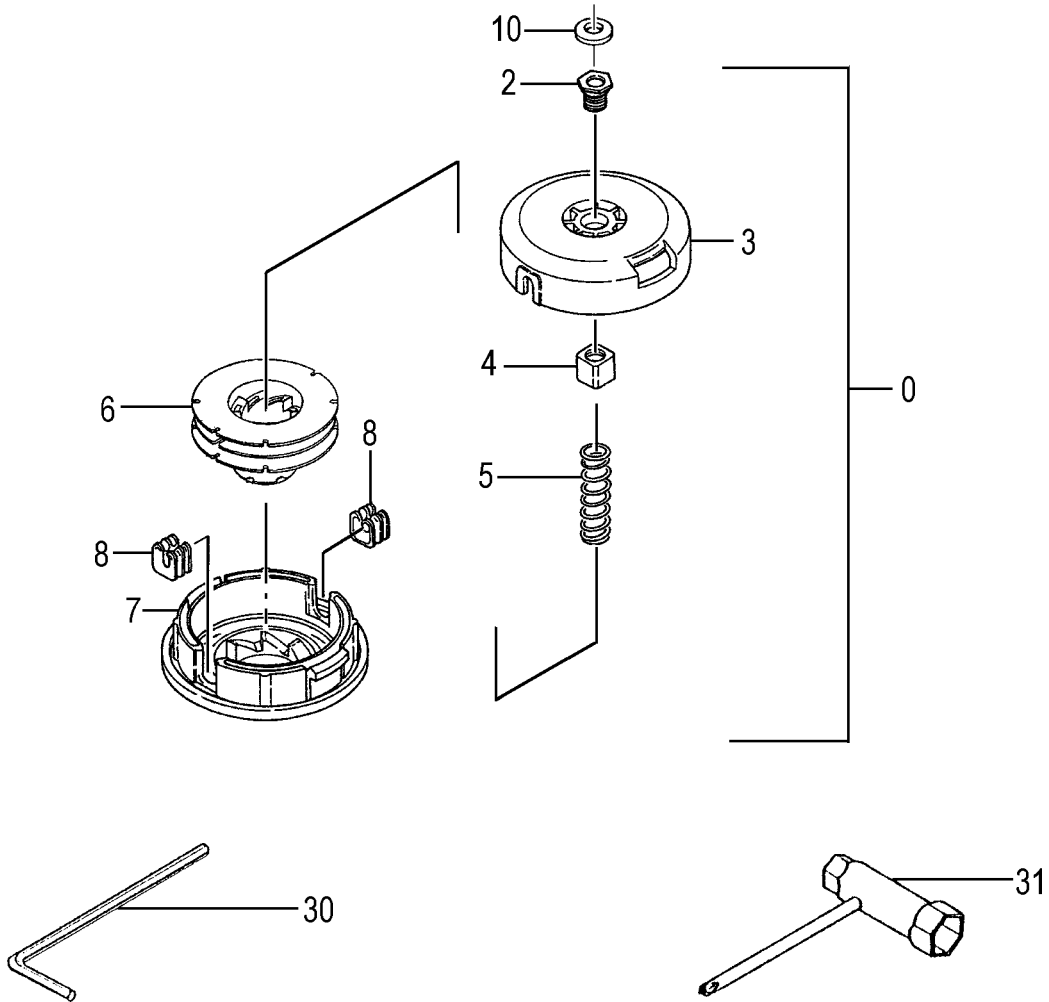


This guard kit is designed to fit all trimmers with 24 or 26 mm pipes. This guard is **NOT** approved for use with any metal blade.

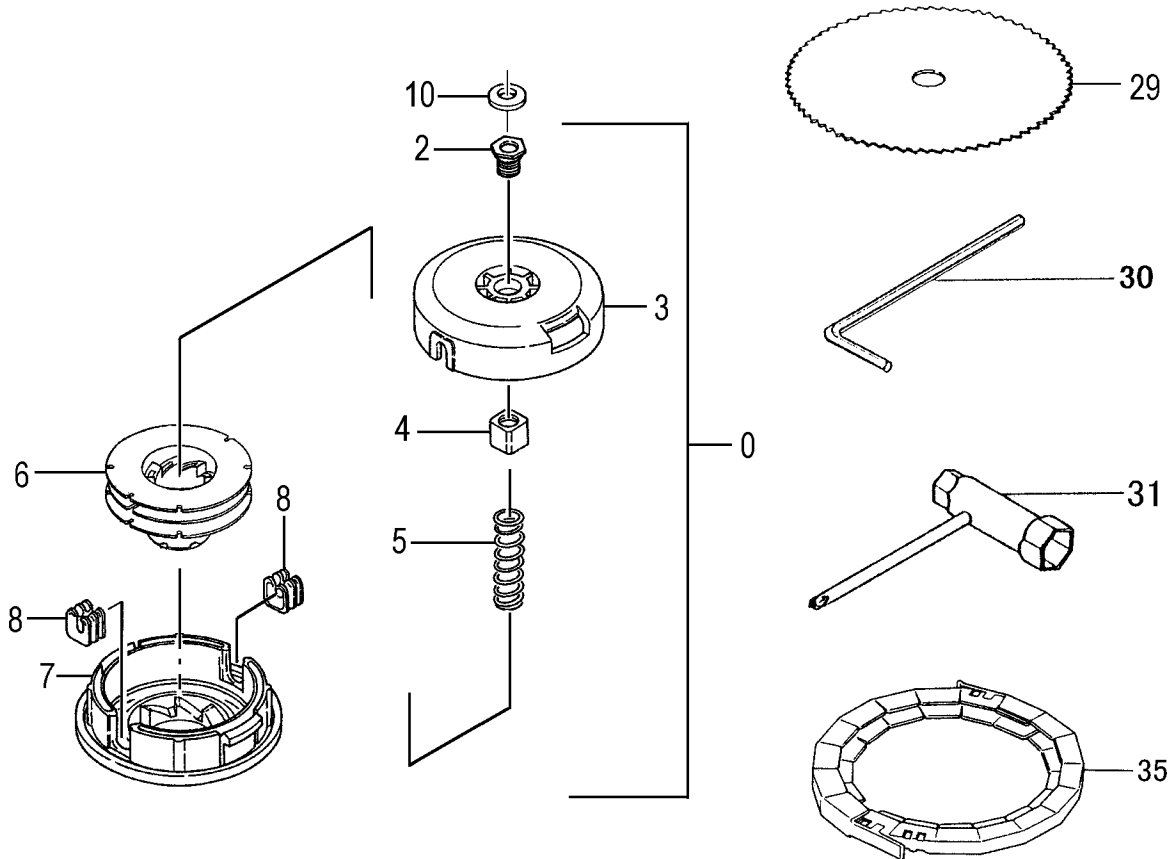
ITEM	PART NUMBER	DESCRIPTION	QTY	COMMENTS
9-1	3003748090	CASE,GEAR	1	
9-2	99461050254	BOLT,HEX HOLE,5X25S	2	
9-4	99351026002	RING,STOP,IN,C-26	1	
9-5	99357010002	RING,STOP,OUTER 10	1	
9-6	99961600002	BEARING,BALL,#6000Z	1	
9-7	99961600000	BEARING,BALL,#6000	1	
9-9	3003748020	CASE,GEAR	1	
9-11	99461050124	BOLT,HEX,5X12S	1	
9-12	3163815020	BOLT,FITTING,M8	1	
9-13	99961609000	BEARING,BALL,#609	1	
9-15	3043815020	SHAFT,GEAR	1	
9-16	99961620103	BEARING,BALL #6201D	1	
9-17	99351032002	RING,STOP,C-32 IN	1	
9-18	3103815020	HOLDER,CUTTER	1	
9-23	3243815020	WASHER,GEAR CASE	1	
9-26	99481060254	SCREW,HEX HOLE 6X25	1	
9-28	4423732520	BRACKET	1	
9-29	~ ~ ~	GUARD	1	Available in kit only
9-30	4453815020	HOLDER,GUARD	1	
9-32	7973815020	LIMITER,LINE	1	
9-34	99317052002	SCREW,TAPPING,5x20	1	
9-35	3013748000	SET,GEAR,PINION	1	
9-37	44437609200	SPACER,BRACKET	2	
9-38	99461050124	BOLT,HEX,5X12S	2	
9-40	99101060011	NUT,6	2	
9-41	99201060011	WASHER,6	2	



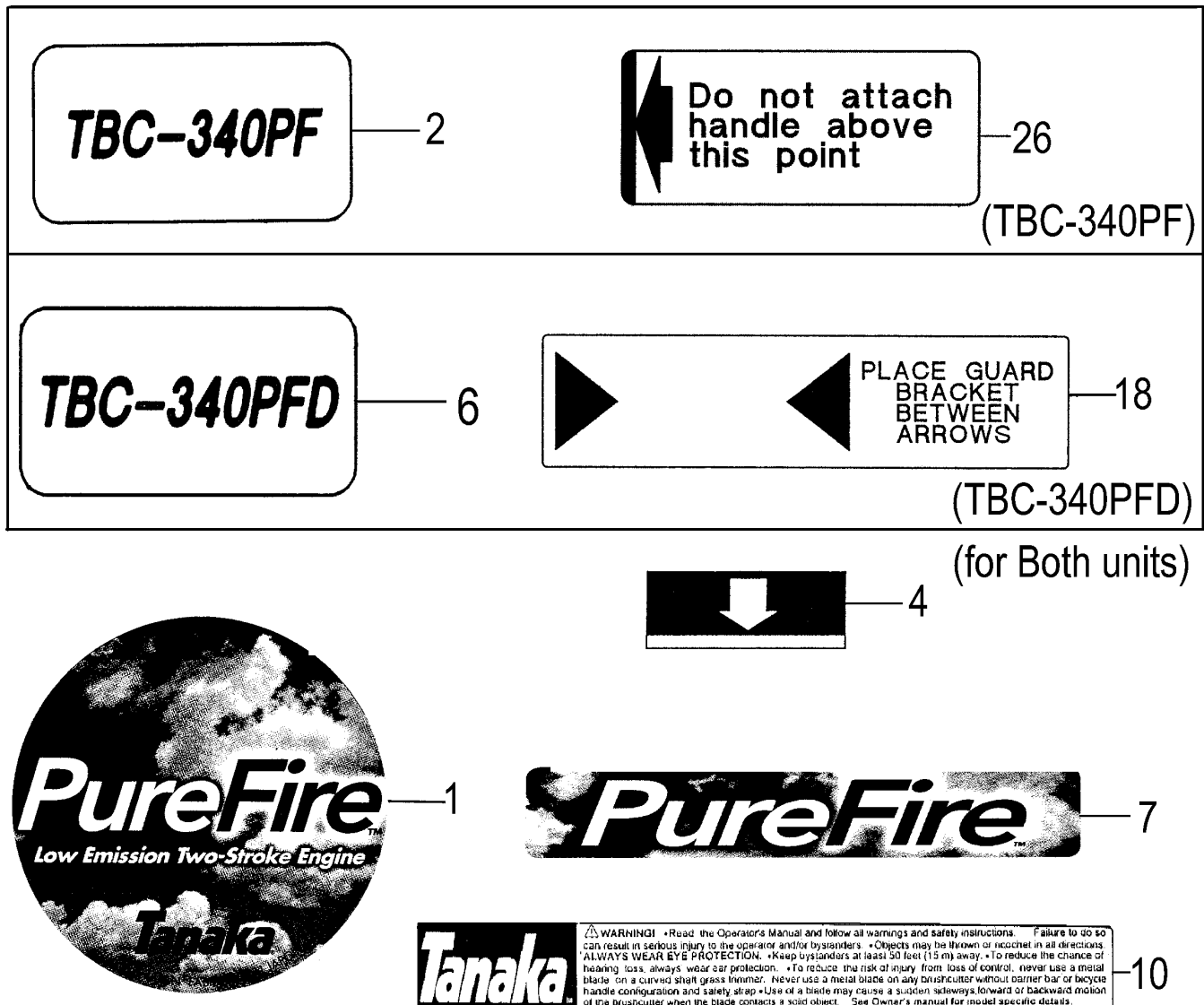
ITEM	PART NUMBER	DESCRIPTION	QTY	COMMENTS
10-1	3003748090	CASE, GEAR ASS'Y	1	
10-2	99461050254	BOLT, HEX HOLE, 5X25S	2	
10-4	99351026002	RING, STOP, IN, C-26	1	
10-5	99357010002	RING, STOP, OUTER 10	1	
10-6	99961600002	BEARING, BALL, #6000Z	1	
10-7	99961600000	BEARING, BALL, #6000	1	
10-9	3003748020	CASE, GEAR	1	
10-11	99461050124	BOLT, HEX, 5X12S	1	
10-12	3163815020	BOLT, FITTING, M8	1	
10-13	99961609000	BEARING, BALL, #609	1	
10-15	3043815020	SHAFT, GEAR	1	
10-16	99961620103	BEARING, BALL #6201D	1	
10-17	99351032002	RING, STOP, C-32 IN	1	
10-18	3103815020	HOLDER, CUTTER	1	
10-19	3113815020	CAP, CUTTER HOLDER	1	
10-21	3083815020	COVER, BOLT PROTECTOR	1	
10-22	3133815020	NUT, FIXING L.H. 10X1.25	1	
10-23	3243815020	WASHER, GEAR CASE	1	
10-26	99481060254	SCREW, HEX HOLE 6X25	2	
10-28	4423369921	BRACKET	1	
10-29	4413738020	GUARD, SAFETY	1	
10-30	4453738020	HOLDER, GUARD	1	
10-31	4473738020	EXTENSION, GUARD	1	
10-32	7973738021	LIMITER, LINE	1	
10-34	99414050121	SCREW, S, 5X12	1	
10-35	3013748000	SET, GEAR, PINION	1	
10-36	99101050011	NUT, 5	1	
10-45	3273718090	PIN, COTTER 2X20 (10 PACK)	1	



ITEM	PART NUMBER	DESCRIPTION	QTY	COMMENTS
11-0	746451	CUTTING HEAD	1	
11-2	3563383B20	ADAPTER,10x1.25 LHF	1	
11-3	7863383020	BODY,CUTTING	1	
11-4	3153383020	NUT,SPECIAL	1	
11-5	7933383020	SPRING,REEL	1	
11-6	7873383020	REEL	1	
11-7	7893383020	CAP,BODY	1	
11-8	7883383020	EYELET	2	
11-10	99201120011	WASHER,12	1	
11-30	81320000200	WRENCH,HEX,4	1	
11-31	8262000080	SPANNER,COMBI,17X19	1	



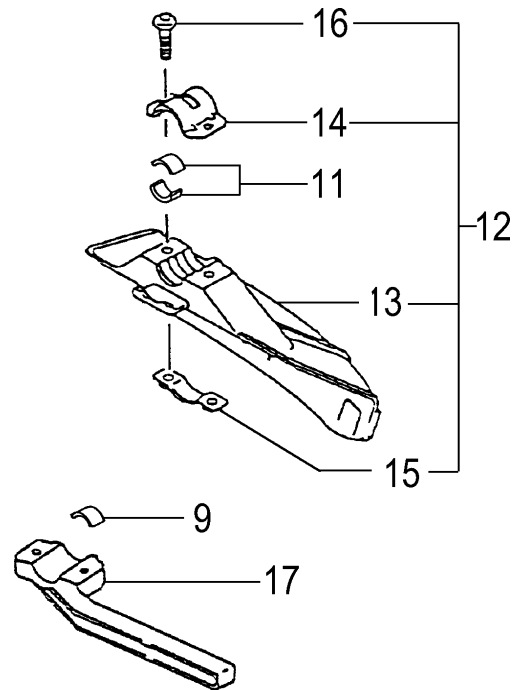
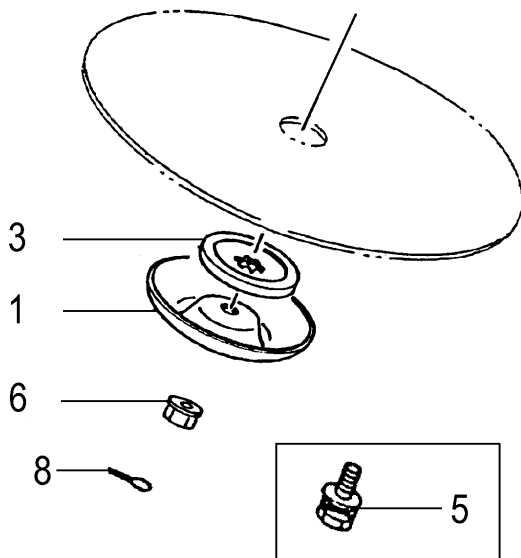
ITEM	PART NUMBER	DESCRIPTION	QTY	COMMENTS
12-0	746451	CUTTING HEAD	1	
12-2	3563383B20	ADAPTER, 10x1.25 LHF	1	
12-3	7863383020	BODY, CUTTING	1	
12-4	3153383020	NUT, SPECIAL	1	
12-5	7933383020	SPRING, REEL	1	
12-6	7873383020	REEL	1	
12-7	7893383020	CAP, BODY	1	
12-8	7883383020	EYELET	2	
12-10	99201120011	WASHER, 12	1	
12-29	746104	BLADE, SAW, 9X80	1	
12-30	81320000200	WRENCH, HEX, 4	1	
12-31	8262000080	SPANNER, COMBI, 17X19	1	
12-35	6153722420	COVER, 9-10" (SET OF 2)	2	



ITEM	PART NUMBER	DESCRIPTION	QTY	COMMENTS
13-1	9060168020	PLATE,NAME,PUREFIRE	1	
13-2	9064825020	DECAL,TBC-340PF	1	
13-4	92337400200	DECAL	1	
13-6	9064825120	DECAL,TBC-340PFD	1	
13-7	9293810020	DECAL,SYMBOL,PF	1	
13-10	9193782020	DECAL,CAUTION A	1	
13-18	9233728620	DECAL,LEVEL	1	
13-26	9233738F20	DECAL,LEVEL	1	



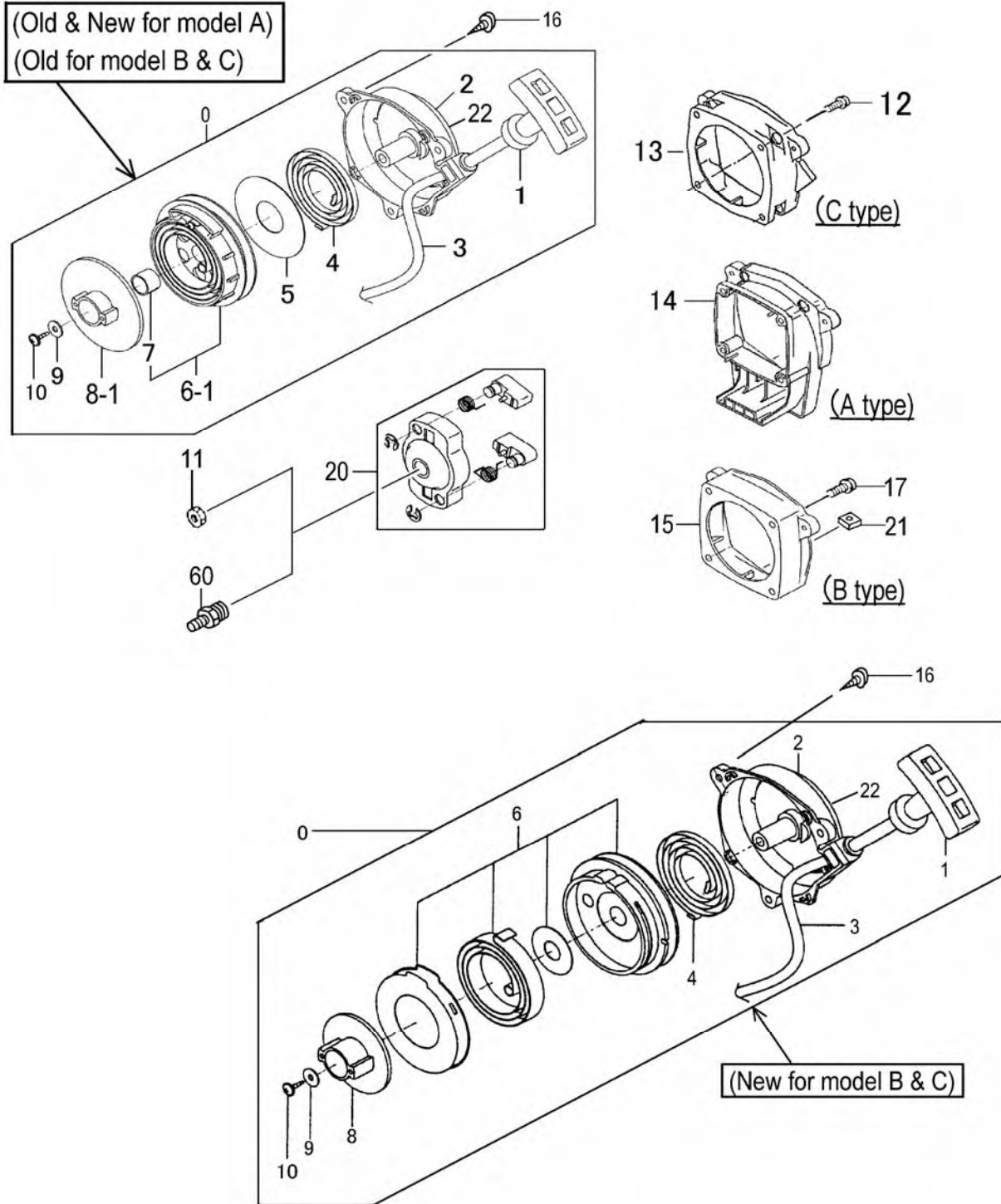
WARNING! Read the owners manual and follow all warnings and safety instructions. Failure to do so can result in serious injury to the operator and/or bystanders. Never attempt to mount a steel blade to a machine that is not specifically designed for that purpose. Never attempt to mount a steel blade without using all components of the blade attachment kit, including shoulder strap and barrier safety bar.



ITEM	PART NUMBER	DESCRIPTION	QTY	COMMENTS
1	30833410200	COVER,PROTECTION,B,8mm	1	8mm
1	3083786120	COVER,BOLT PROTECTOR,10mm	1	10mm
3	3113754720	CAP,CUTTER HOLDER,8mm	1	for use with 8x1.25 nut
3	3113815020	CAP,CUTTER HOLDER,10mm	1	for use with 10x1.25 nut
5	3123338620	BOLT,FLANGED,10x1.25,LH	1	10x1.25 bolt
6	3133754720	NUT,FIXING L.H. 8X1.25	1	8x1.25 nut
6	3133833220	NUT,FIXING L.H.,10X1.25	1	10x1.25 nut
8	3273718090	PIN,COTTER 2X20 (10 PACK)	1	
9	44437609200	SPACER,BRACKET	1	for use with barrier bar, 24mm shafts
11	44437609200	SPACER,BRACKET	2	
12	30060	KIT,BLADE GUARD	1	
13	4413738020	GUARD,SAFETY	1	
14	4423369921	BRACKET,SAFETY GUARD	1	
15	4453738020	HOLDER,GUIDE	1	
16	99481060254	SCREW,HEX HOLE 6X25	2	
17	5203339820	BAR,BARRIER 26mm	1	
18	746191	STRAP,SHOULDER,PSS-175	1	Includes mounting bracket/hardware

S · START KIT

	Order Number
A --- TBC2501/D, TPH2501, TPS-2501, TPE2501	748733
B --- TBC230/230B/230D	748744
C --- TBC290/290D/340/340D	748732



S-Start Parts Information

REF. NUMBER	PART NUMBER	DESCRIPTION	Q'TY		
			A	B	C
	756-07075-00	S·START KIT (TBC2501)	1		
	756-07120-00	S·START KIT (TBC230)		1	
	756-07027-00	S·START KIT (TBC290)			1
000	762-07075-90	RECOIL STARTER BODY ASS'Y	1		
000	762-07085-90	RECOIL STARTER BODY ASS'Y		1	
000	762-07027-90	RECOIL STARTER BODY ASS'Y			1
001	785-07085-20	STARTER HANDLE	1	1	1
002	772-07085-80	RECOIL STARTER BODY COMP,	1	1	1
003	783-07085-20	RECOIL ROPE	1	1	1
004	780-07085-20	RECOIL SPRING	1	1	1
005	786-07085-20	SPRING PLATE	1	1	1
006,1	778-07027-90	RECOIL SPRING CASE ASS'Y	1		1
006,1	778-07085-90	RECOIL SPRING CASE ASS'Y		1	
006,1	778-07075-90	RECOIL SPRING CASE ASS'Y	1		
006	778-07085-91	SORING CASE ASS'Y		1	1
007	328-07085-20	STARTER BUSH	1	1	1
008,1	774-07075-20	STARTER PULLEY	1		
008,1	774-07085-20	STARTER PULLEY		1	
008,1	774-07027-20	STARTER PULLEY			1
008	774-07085-21	STARTER PULLEY		1	
009	182-07085-20	SPECIAL WASHER 5.2X15	1	1	1
010	990-72050-144	TAPPING SCREW 5X14	1	1	1
011	991-01080-011	HEX. NUT 8			1
012	994-64040-185	HEX. HOLE BOLT 4X18WS			4
013	806-07027-20	STARTER BASE			1
014	806-07070-20	STARTER BASE	1		
015	806-07120-20	STARTER BASE		1	
016	990-73045-144	TAPPING SCREW 4.5X14	3	3	3
017	994-64040-125	HEX. HOLE BOLT 4X12WS		4	
020	798-07085-90	STARTER PULLEY ASS'Y	1	1	1
021	991-91050-001	SQUARE NUT 5		1	
022	915-07078-20	STARTER MARK (S·START)	1	1	1
060	314-07070-20	SPECIAL BOLT	1		

Free Manuals Download Website

<http://myh66.com>

<http://usermanuals.us>

<http://www.somanuals.com>

<http://www.4manuals.cc>

<http://www.manual-lib.com>

<http://www.404manual.com>

<http://www.luxmanual.com>

<http://aubethermostatmanual.com>

Golf course search by state

<http://golfingnear.com>

Email search by domain

<http://emailbydomain.com>

Auto manuals search

<http://auto.somanuals.com>

TV manuals search

<http://tv.somanuals.com>