

Tanaka Illustrated Parts Manual

Model Number:

TBC-225

GRASS TRIMMER

P/N 39721

Rev 000

Date 4-15-08

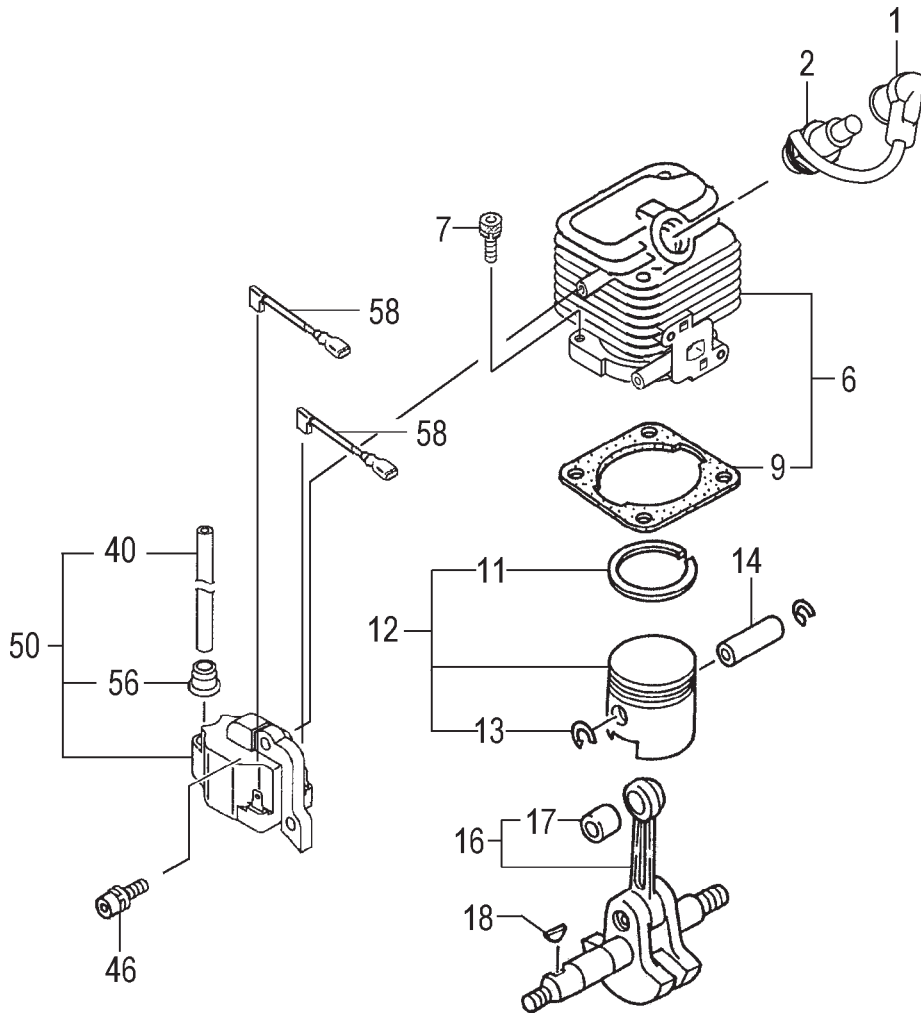


Nikko Tanaka Engineering U.S.A., Ltd. • 1028 4th Street SW, Bldg B • Auburn, WA 98001 • Phone: (253) 333-1200 • Fax: (253) 333-1212

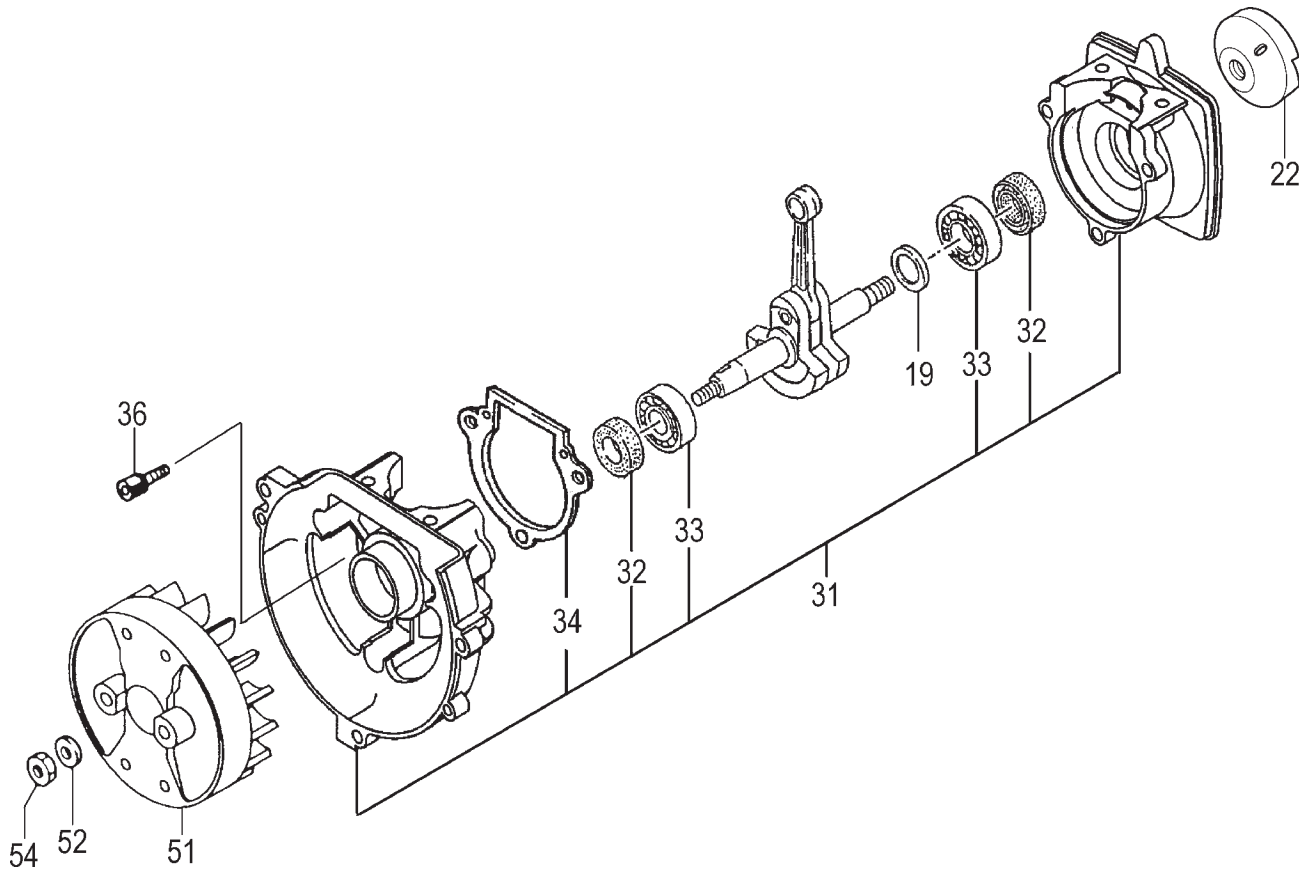
www.tanakapowerequipment.com

custsvc@nikko-tanaka-usa.com

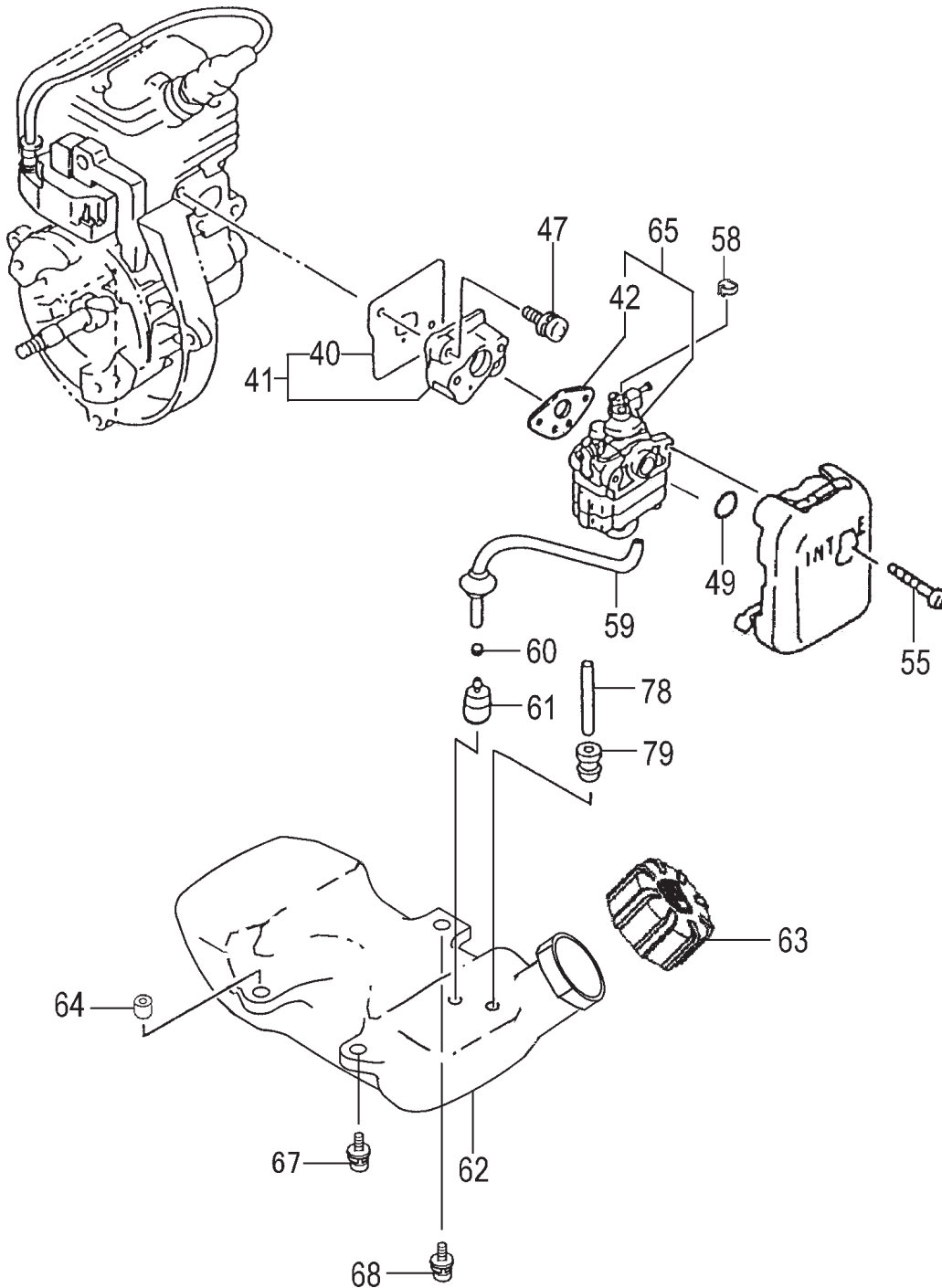
CYLINDER, PISTON, CRANKSHAFT, IGNITION • FIGURE 1



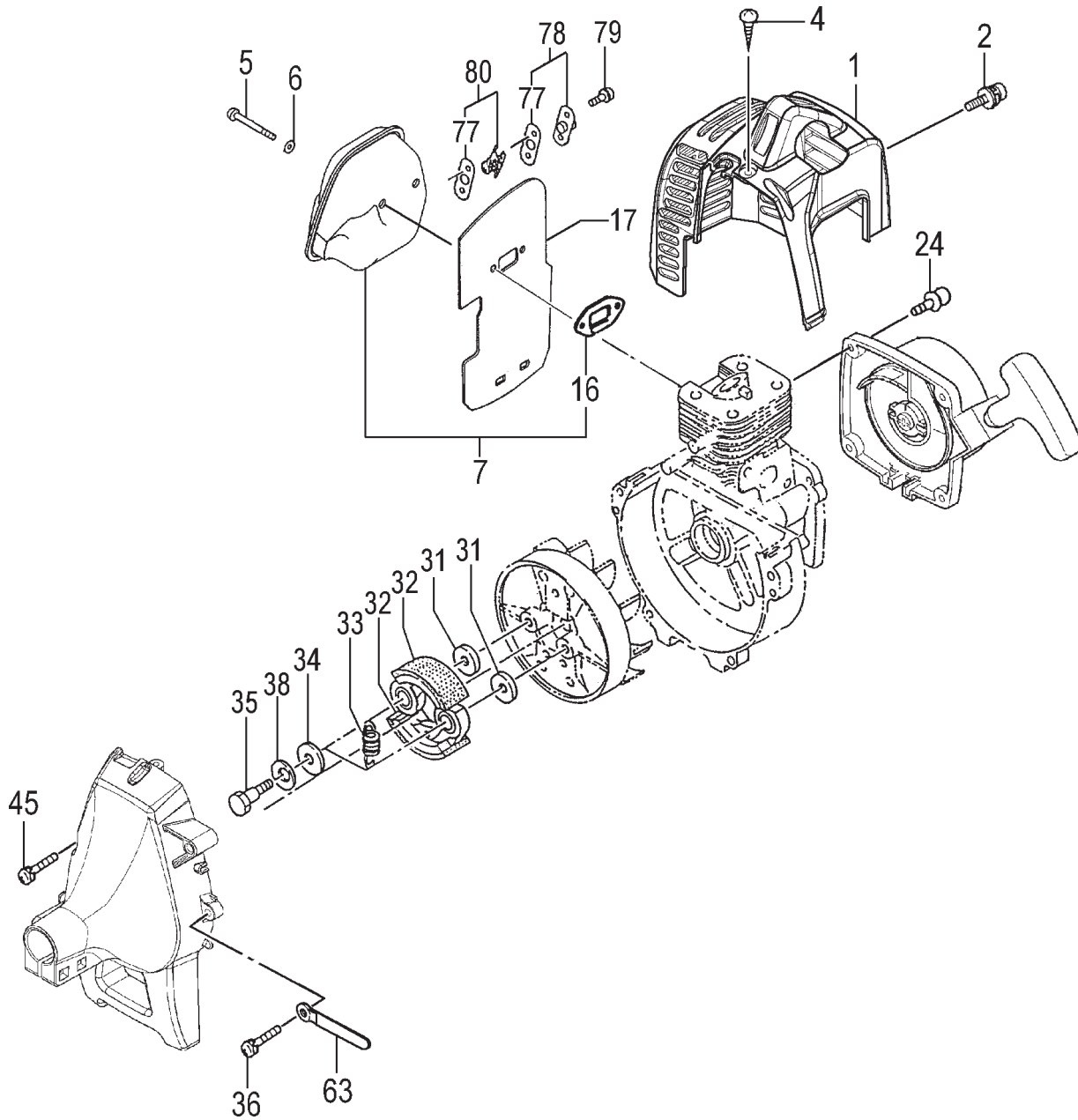
ITEM	PART NUMBER	DESCRIPTION	QTY	COMMENTS
1-1	1570157090	CAP, SPARK PLUG, ASSEMBLY	1	
1-2	0181166021	PLUG, SPARK	1	
1-6	0010713091	CYLINDER SET	1	Includes gasket
1-7	99461050184	BOLT, HEX, 5X18, S	2	
1-9	01700980200	GASKET, CYLINDER	1	
1-11	04100601210	RING, PISTON	1	
1-12	0300007090	PISTON SET	1	Includes piston rings and circlips
1-13	03901620200	CIRCLIP, PISTON PIN	1	
1-14	03706500200	PIN, PISTON	1	
1-16	0460713081	CRANKSHAFT	1	~B001000
1-16	0460713580	CRANKSHAFT	1	B001001~
1-17	99962081277	BEARING, NEEDLE, HK0810B	1	
1-18	06810100200	KEY, WOODRUFF, 3X13X4.5	1	~B001000
1-40	1782054620	CORD B	1	
1-46	99463040154	BOLT, HEX, 4X15, PS	2	
1-50	1672054691	COIL, IGNITION	1	
1-56	56020517200	CAP, RUBBER	1	
1-58	1780136M800	CORD, STOP	2	



ITEM	PART NUMBER	DESCRIPTION	QTY	COMMENTS
2-19	33000200210	SHIM,12.2X19X.10	1	
2-19	33000200220	SHIM,12.2X19X.15	1	
2-19	33000200230	SHIM,12.2X19X.20	1	
2-19	33000200240	SHIM,12.2X19X.30	1	
2-22	7980304520	PULLEY,STARTER	1	
2-31	0720712092	CRANKCASE ASSY	1	Includes gasket, seals and bearings
2-32	99966122240	SEAL,OIL,#12227	2	
2-33	99961600115	BEARING,BALL,6001 C3	2	
2-34	0900641020	GASKET,CRANKCASE	1	
2-36	99461050184	BOLT,HEX,5X18,S	3	
2-51	1552055080	ROTOR,MAGNETO	1	~B001000
2-51	1552055081	ROTOR,MAGNETO	1	B001001~
2-52	99201080011	WASHER,8	1	
2-54	99101080011	NUT,8	1	

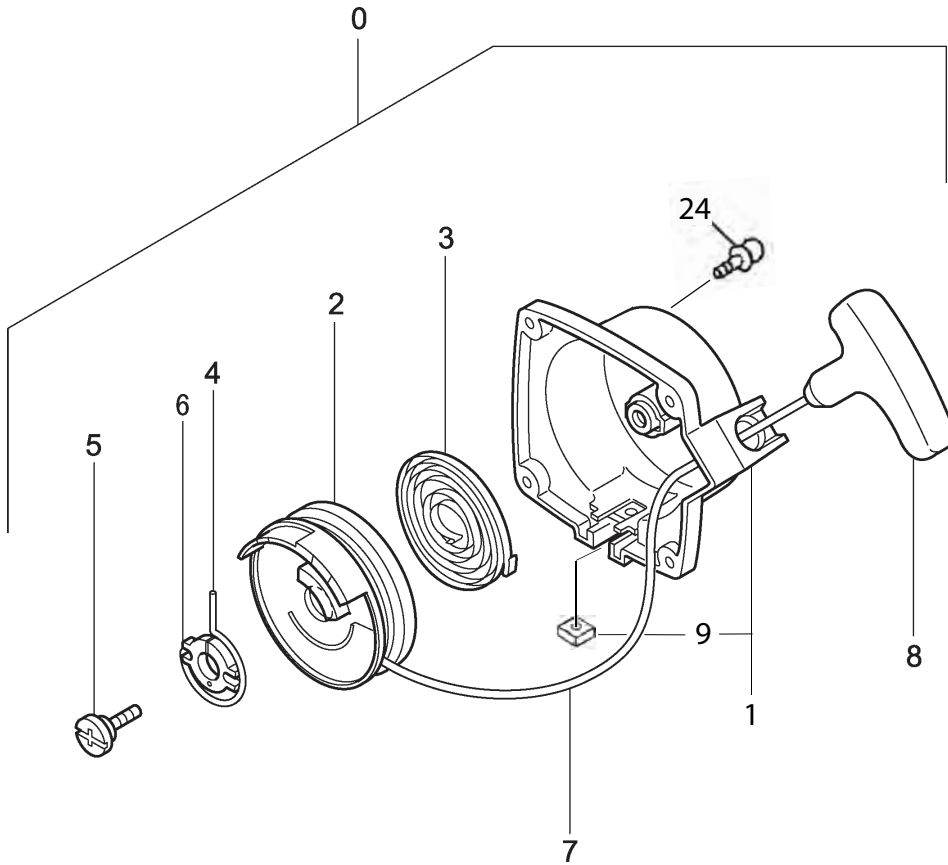


ITEM	PART NUMBER	DESCRIPTION	QTY	COMMENTS
3-40	4030631A20	GASKET,INLET MANIFOLD	1	Includes gasket
3-41	4040099F90	SET,CARB INSULATOR	1	
3-42	4020602K21	GASKET,CARBURETOR	1	
3-47	99464050224	BOLT,HEX,5X22,WS	2	
3-49	99967015000	O-RING,P15	1	
3-55	99416050601	SCREW,5x60WS	2	
3-58	5600712020	SWIVEL CAP	1	Before S/N ~D067000 After S/N D067001~
3-59	2230700090	FUEL PIPE ASSY	1	
3-60	68000731201	CLIP 6.3	1	
3-61	6750404280	FILTER,FUEL	1	
3-62	5910712021	TANK,FUEL	1	
3-62	5910717F20	TANK,FUEL,EVAPO	1	
3-63	5950300290	CAP,TANK (BLACK/RED)	1	
3-64	65900801200	COLLAR	3	Includes gasket
3-65	4550713990	CARBURETOR SET	1	
3-67	99463050164	BOLT,HEX,5X16,PS	2	
3-68	99465050205	SCREW,5x20,WS	1	
3-78	7000300508	PIPE,FUEL,3X5X85	1	
3-79	53432710200	GROMMET,FUEL PIPE	1	



MUFFLER, CLUTCH & COVER • FIGURE 4

ITEM	PART NUMBER	DESCRIPTION	QTY	COMMENTS
4-1	7380716220	COVER,MUFFLER	1	
4-2	99415040151	SCREW,4X15PS	1	
4-4	99073045124	SCREW,TAPPING,4.5X12	1	
4-5	99051050503	BOLT,HEX,5X50	2	
4-6	99201050061	WASHER,5	2	
4-7	7040713990	MUFFLER SET	1	Includes gasket
4-16	7370700020	GASKET,MUFFLER	1	
4-17	1330654020	SHIELD,HEAT	1	
4-24	99463040154	BOLT,HEX,4X15,PS	4	
4-31	35902103200	WASHER,CLUTCH,B	2	
4-32	2900641080	SHOE,CLUTCH	2	
4-33	3420641020	SPRING,CLUTCH	1	
4-34	3480654020	PLATE,CLUTCH	2	
4-35	35700601200	BOLT,STEP,CLUTCH	2	
4-36	99464050184	BOLT,HEX,5X18,WS	2	
4-38	99205080030	WASHER,8	2	
4-45	99464050304	BOLT,HEX,5X30,WS	1	
4-63	19805015800	CLAMP,CORD	1	
4-77	75104200201	GASKET,MUFFLER	2	
4-78	7340099K90	PIPE,EXHAUST	1	
4-79	99434040081	SCREW,4X8/S	2	
4-80	7320099F90	SET,SPARK ARRESTER	1	

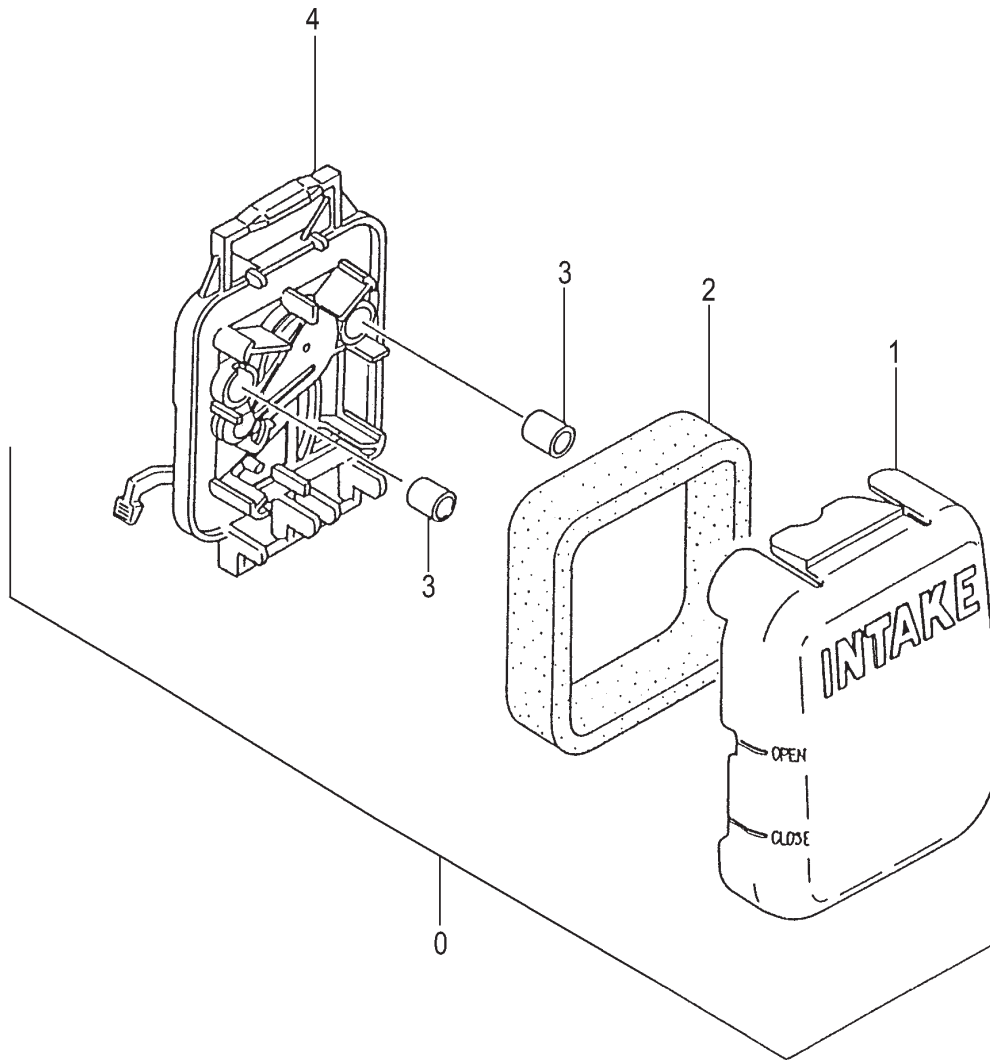


748744

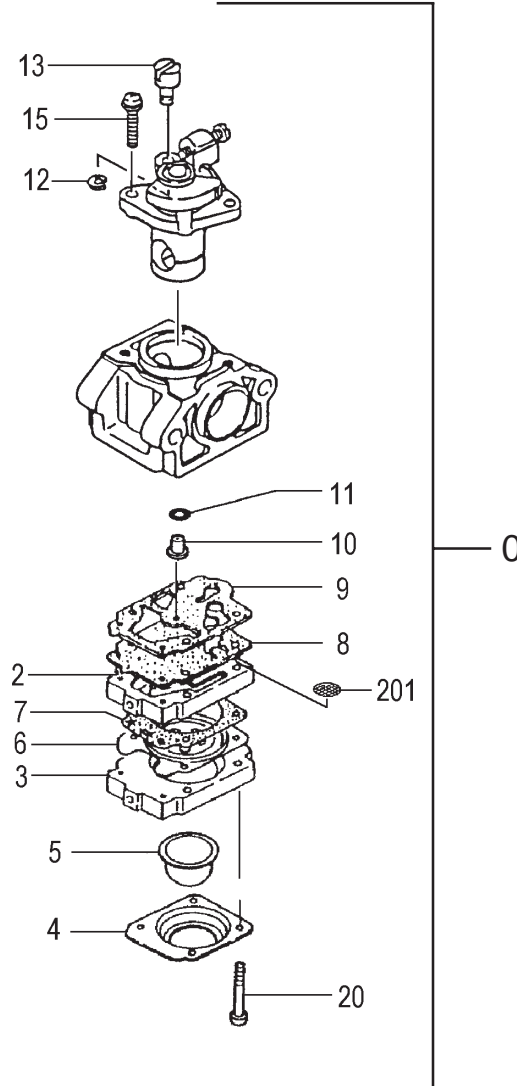


Consider ordering the 748744, S-Start Kit if you are replacing the starter assy. It decreases the pull-effort by 60%. They are dependable and easy to install.

ITEM	PART NUMBER	DESCRIPTION	QTY	COMMENTS
5-0	7620304590	STARTER ASS'Y	1	7560712000 Optional S-Start Kit
5-1	7720304580	BODY,STARTER	1	
5-2	7740304520	PULLEY,STARTER	1	
5-3	7790304520	SPRING,RECOIL	1	
5-4	7770304520	ARM,SWING	1	
5-5	8390304520	SCREW,SET	1	
5-6	7710304520	STAY,PULLEY	1	
5-7	7830304520	ROPE,STARTER	1	
5-8	7850304520	HANDLE,STARTER	1	
5-9	3153334020	NUT, SPECIAL 5MM	1	
5-24	99463040154	HEX, HOLE BOLT 4X15/PS	4	NOT INCLUDED WITH ASSEMBLY

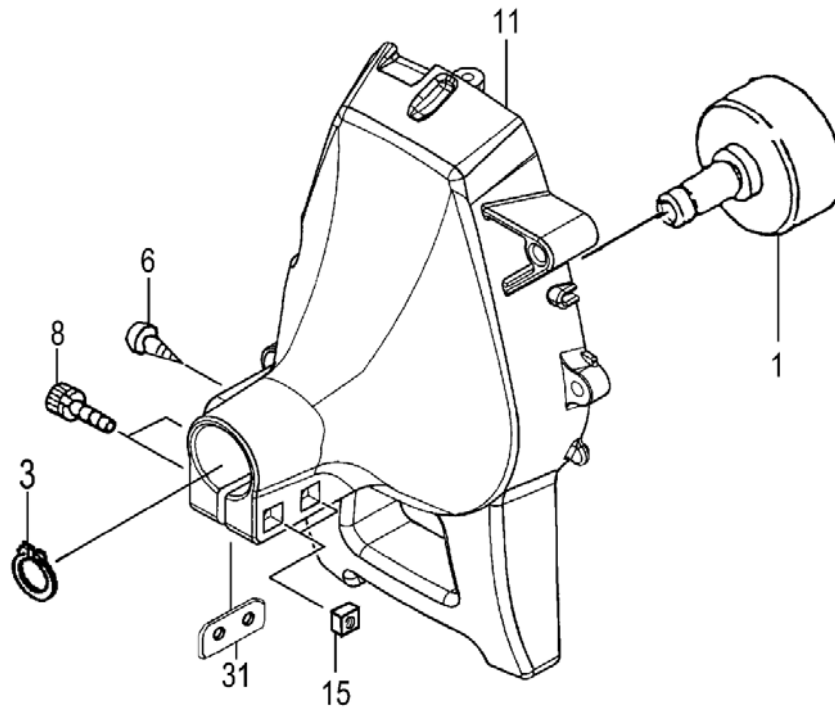


ITEM	PART NUMBER	DESCRIPTION	QTY	COMMENTS
6-0	41000025900	CLEANER,AIR ASS'Y	1	
6-1	42400025200	CAP,AIR CLEANER	1	
6-2	44600025200	ELEMENT,CLEANER	1	
6-3	47000025200	COLLAR	2	
6-4	42300025800	BODY,CLEANER,AIR	1	

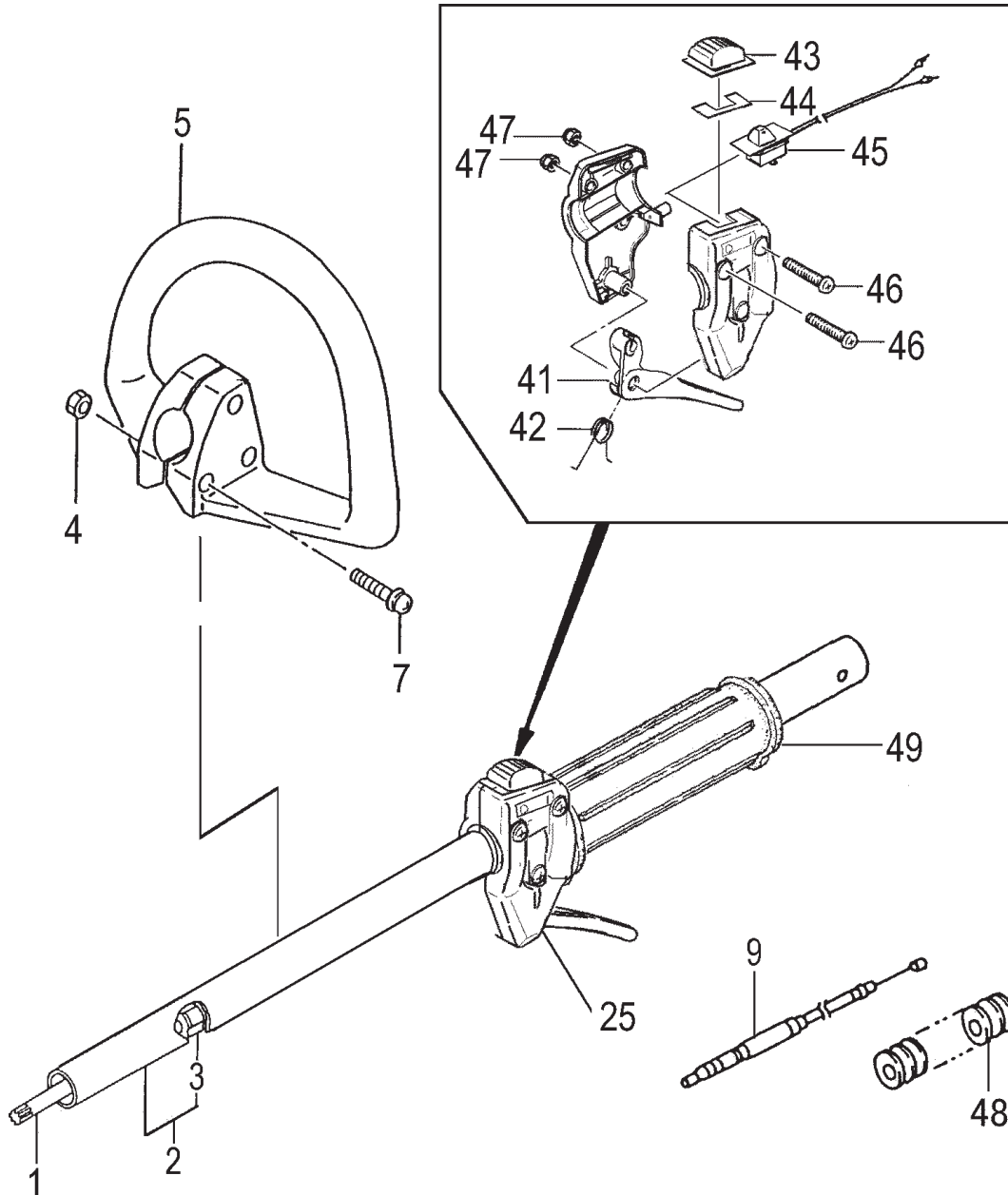


ITEM	PART NUMBER	DESCRIPTION	QTY	COMMENTS
7-0	4550713990	CARBURETOR SET	1	Includes gasket
7-2	5752515380	BODY,PUMP	1	
7-3	4422515180	PUMP,PRIMING	1	
7-4	4762515120	COVER,DIAPHRAGM	1	
7-5	44725108200	BULB,PRIMING	1	
7-6	~ ~ ~	METERING DIAPHRAGM	1	~ Contained in Carb Repair Kit
7-7	~ ~ ~	GASKET,DIAPHRAGM	1	P/N 650-25140-900
7-8	~ ~ ~	DIAPHRAGM,PUMP	1	(not available individually)
7-9	~ ~ ~	GASKET,PUMP	1	
7-10	5992000W38	JET,MAIN #38	1	
7-11	55025100200	O-RING	1	
7-12	48925100200	RING,STOP	1	
7-13	53925120200	SWIVEL	1	
7-15	54825140200	SCREW,THROTTLE SET	2	
7-20	5482515120	SCREW,SET	4	
7-201	57825007200	SCREEN,INLET	1	

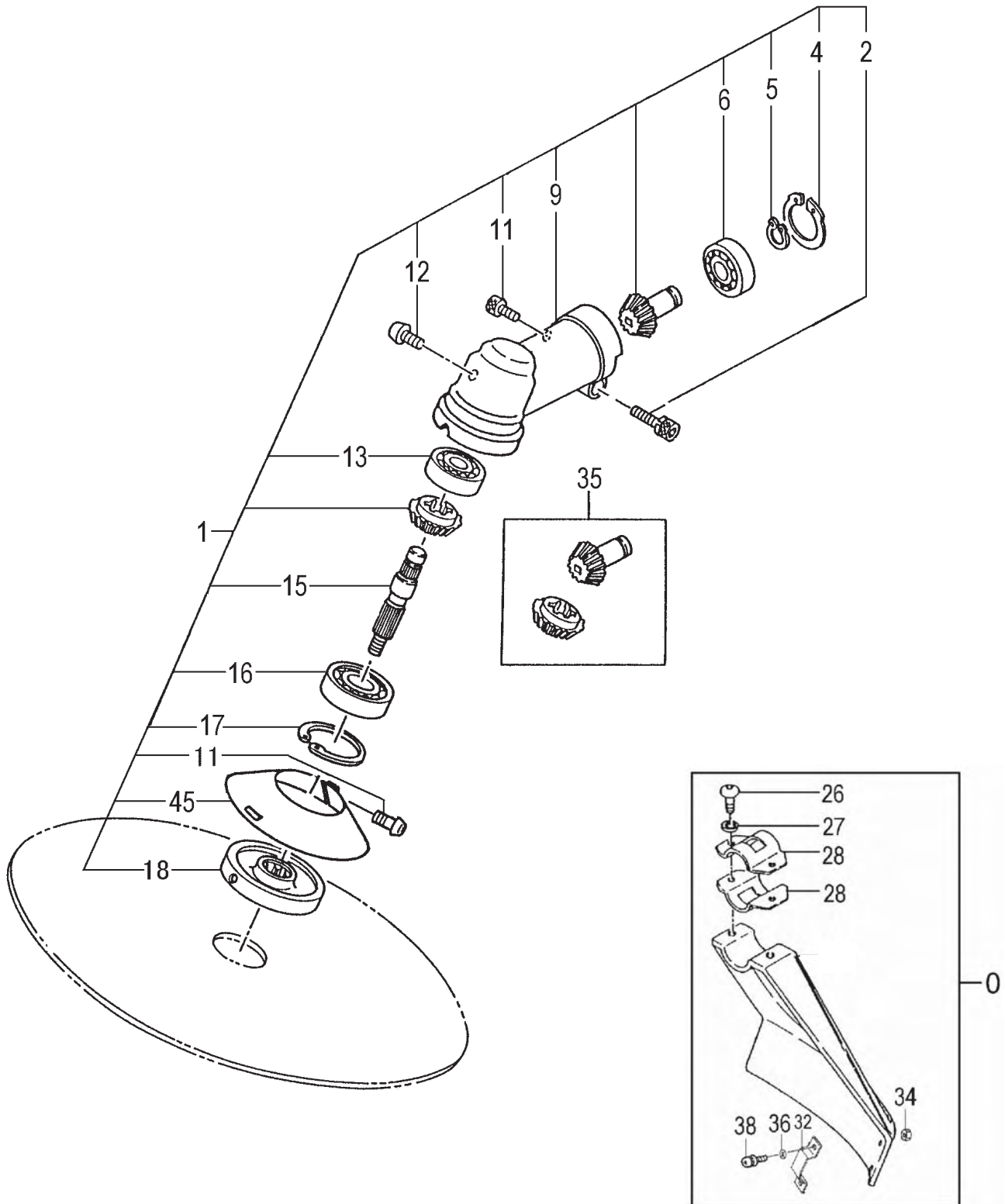
This item is no longer sold as assembly. Order individual parts.



ITEM	PART NUMBER	DESCRIPTION	QTY	COMMENTS
8-1	2890712K80	DRUM,CLUTCH	1	
8-3	99350012002	RING,STOP,C-12 EX	1	
8-6	99074045164	SCREW,TAPPING 4.5x16	1	
8-8	99464050304	BOLT,HEX,5X30,WS	2	
8-11	1120716480	FAN CASE	1	Includes bearing
8-15	99191050001	NUT,5	2	
8-31	2490712K20	SPACER	1	

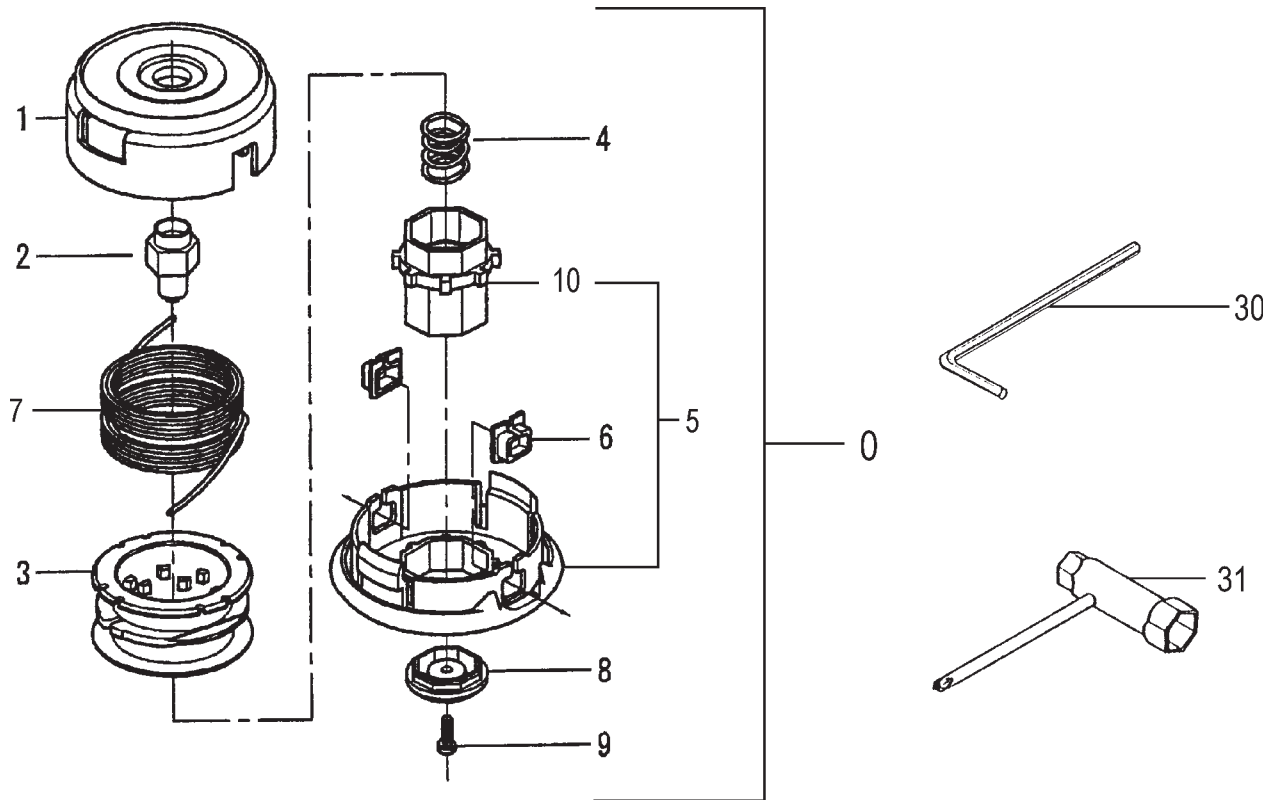


ITEM	PART NUMBER	DESCRIPTION	QTY	COMMENTS
9-1	3433836020	SHAFT,DRIVE	1	
9-2	3413836081	PIPE,DRIVE SHAFT	1	
9-3	3473836090	BUSHING	5	
9-4	99101050041	NUT,5	3	
9-5	5003845120	HANDLE,FRONT	1	
9-7	99416050302	SCREW,5x30,WS	3	
9-9	8853845191	THROTTLE WIRE SET	1	
9-25	8703845190	LEVER,THROTTLE ASSY	1	
9-41	8803845120	LEVER,THROTTLE	1	
9-42	8323845120	SPRING,RETURN	1	
9-43	1623845120	BUTTON,STOP	1	
9-44	9253845120	DECAL,STOP SWITCH	1	
9-45	1563845180	SWITCH,STOP	1	
9-46	99011050301	SCREW,5X30	3	
9-47	99101050011	NUT,5	3	
9-48	1640701701	TUBE,PROTECTION,7x170	1	
9-49	5093845320	GRIP,SHAFT	1	

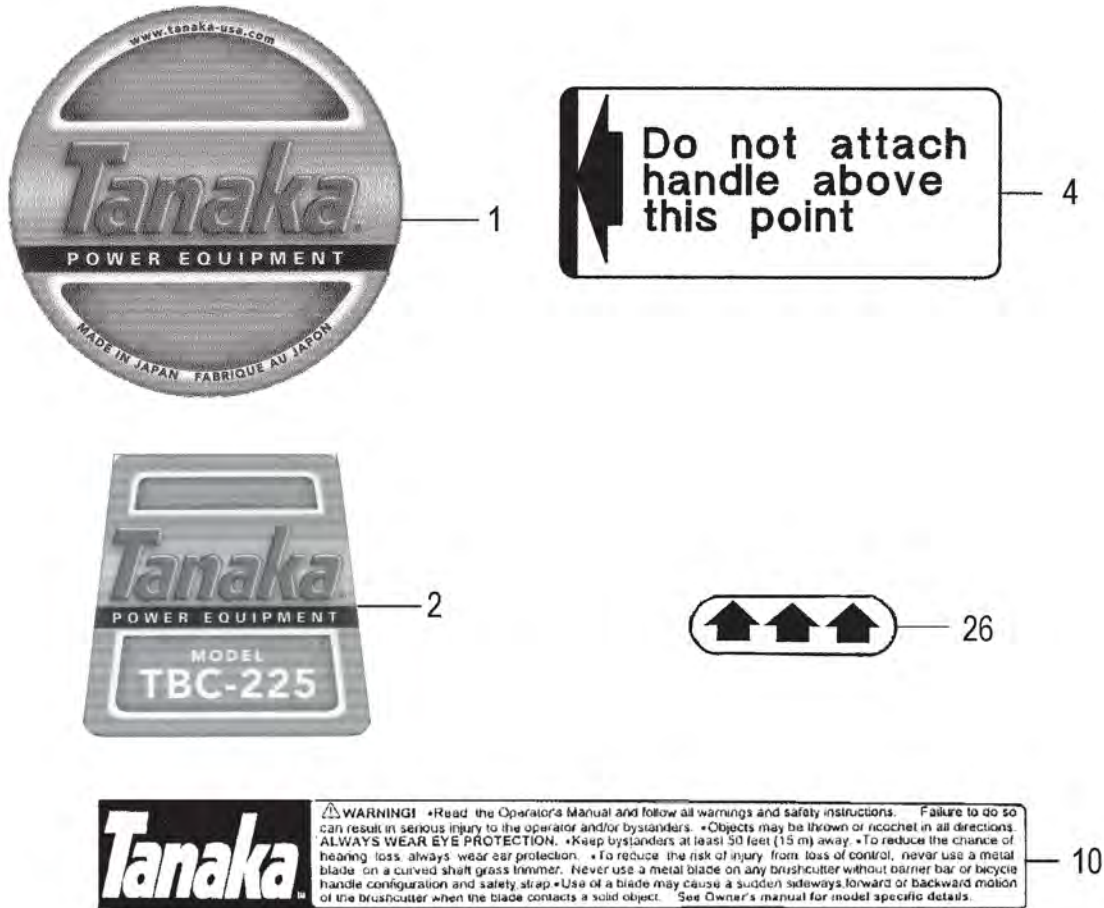


GEAR CASE & SAFETY GUARD • FIGURE 10

ITEM	PART NUMBER	DESCRIPTION	QTY	COMMENTS
10-0	4413782090	SAFETY GUARD KIT	1	
10-1	3003847690	GEAR CASE ASSY	1	
10-2	99461050254	BOLT,HEX HOLE,5X25S	1	
10-4	99351024002	RING,STOP,C-24,IN	1	
10-5	99350009002	RING,STOP,C9	1	
10-6	99961609002	BEARING,BALL,#609Z	1	
10-9	3003836021	CASE,GEAR	1	
10-11	99416050121	SCREW,5X12/PS	2	
10-12	3163815020	BOLT,FITTING,M8	1	
10-13	99961626000	BEARING,BALL,#626	1	
10-15	3043836020	SHAFT,GEAR	1	
10-16	99961600003	BEARING,BALL,#6000D	1	
10-17	99351026002	RING,STOP,IN,C-26	1	
10-18	3103836020	HOLDER,CUTTER	1	
10-26	99053060203	BOLT,HEX,6X20	2	
10-27	99210060062	WASHER,S,6	2	
10-28	4423741720	BRACKET,SAFETY GUARD	2	
10-32	7973782020	LIMITER,LINE	1	
10-34	99101040011	NUT,4	2	
10-35	3013836000	SET,GEAR & PINION	1	
10-36	99201040011	WASHER,4	2	
10-38	99414040121	SCREW,4X12/S	2	
10-45	3033836020	COVER,GEAR CASE	1	



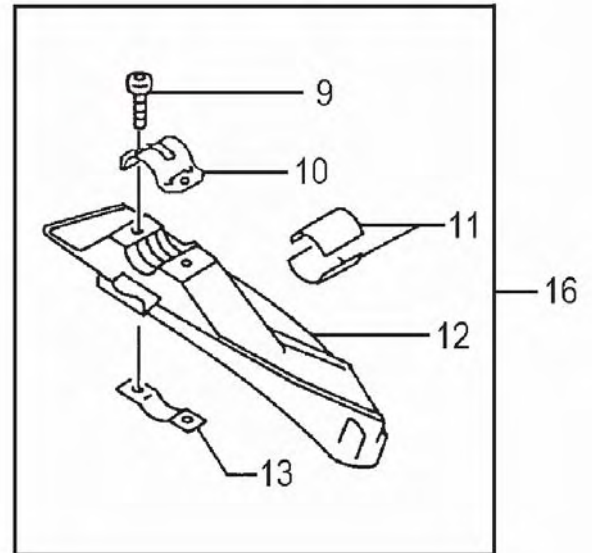
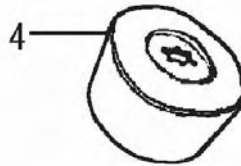
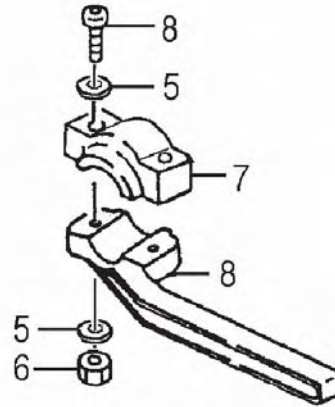
ITEM	PART NUMBER	DESCRIPTION	QTY	COMMENTS
11-0	746851	HEAD,SEMI-AUTO,4" STRAIGHT SHAFT	1	
11-1	7863819520	CUTTING BODY	1	
11-2	3563819520	SPECIAL NUT,LH	1	
11-3	7873819520	REEL	1	
11-4	7933819520	SPRING	1	
11-5	4023819500	CAP-SLIDER SET	1	
11-6	7883819520	EYELET	2	
11-7	746560	TRIMMER LINE,.095	1	
11-8	4033819520	DISK	1	
11-9	99414050141	SCREW	1	
11-10	4023819580	SLIDER	1	
11-30	8132901460	WRENCH,HEX 14	1	
11-31	829290052H	SPANNER,COMBI 13x19	1	



ITEM	PART NUMBER	DESCRIPTION	QTY	COMMENTS
12-1	9060716220	DECAL,TBC-225C	1	
12-2	9290716420	DECAL,TBC-225	1	
12-4	9233738F20	DECAL,LEVEL	1	
12-10	9193782020	DECAL,CAUTION A	1	
12-26	9233844720	DECAL,LEVEL	1	



Single Shoulder Strap
Model#: 746191

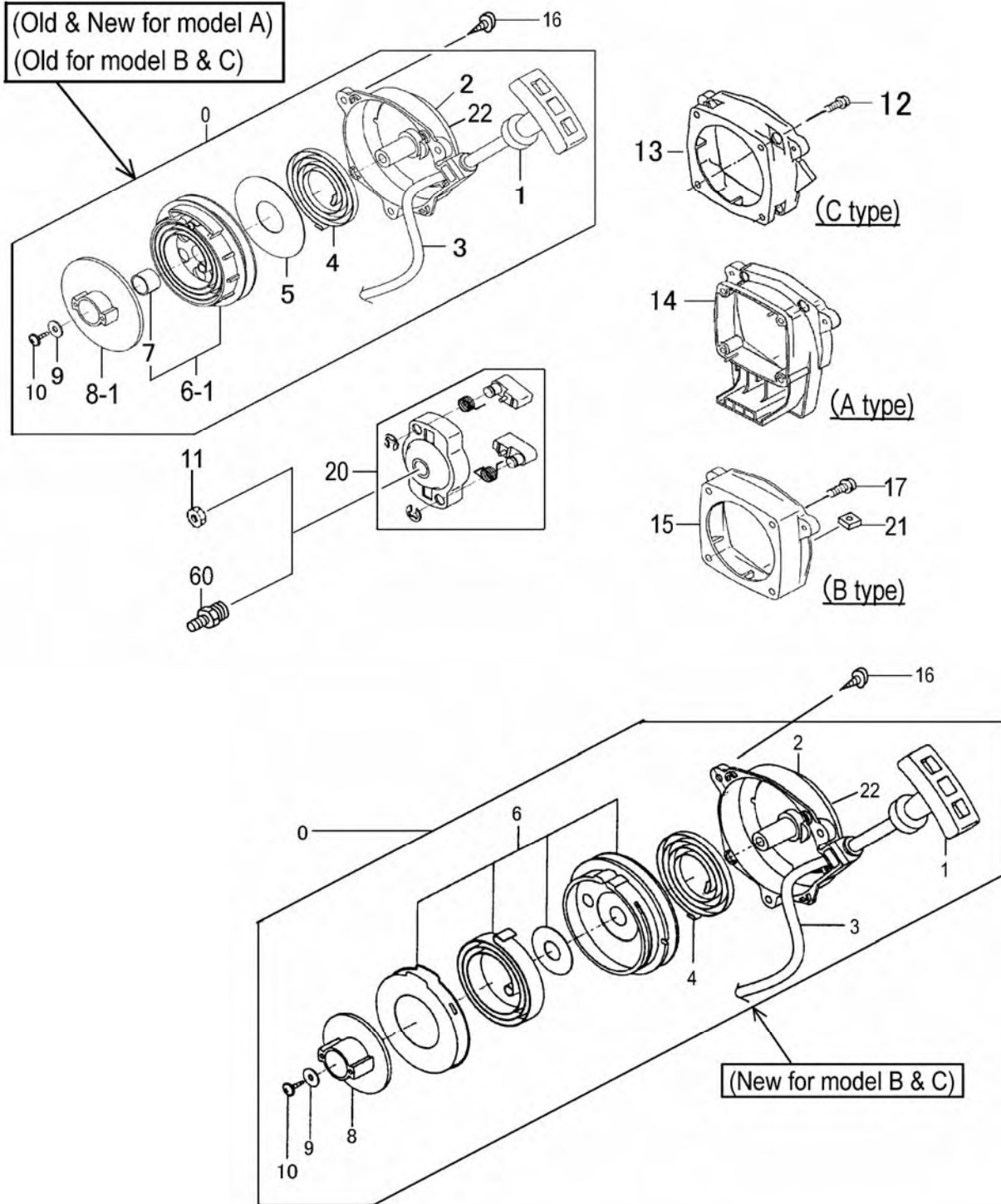


WARNING! Read the owners manual and follow all warnings and safety instructions. Failure to do so can result in serious injury to the operator and/or bystanders. Never attempt to mount a steel blade to a machine that is not specifically designed for that purpose. Never attempt to mount a steel blade without using all components of the blade attachment kit, including shoulder strap and barrier safety bar.

ITEM	PART NUMBER	DESCRIPTION	QTY	COMMENTS
4	3113844020	CAP,CUTTER HOLDER	1	Kit used on TBC-225, 230, 245PF, 2500, TBC-225S, TBC-255PF
5	99201060061	WASHER,6	4	
6	99101060041	NUT,6	2	
7	5063730020	BRACKET,HANDLE,A	1	
8	5203727720	BARRIER BAR 24MM	1	
9	99053060403	BOLT,HEX,6X40	2	
10	4423369921	BRACKET,SAFETY GUARD	1	
11	44437609200	SPACER,BRACKET	2	
12	4413738020	GUARD,SAFETY	1	
13	4453738020	HOLDER,GUARD	1	
14	3133754720	NUT,FIXING L.H. 8X1.25	1	
15	3273718090	PIN,COTTER 2X20 (10 PACK)	1	
16	30060	KIT,BLADE GUARD	1	
18	746191	STRAP,SHOULDER,PSS-175	1	Includes mounting bracket/hardware

S · START KIT

	Order Number
A --- TBC2501/D, TPH2501, TPS-2501, TPE2501	748733
B --- TBC230/230B/230D	748744
C --- TBC290/290D/340/340D	748732



S-Start Parts Information

REF. NUMBER	PART NUMBER	DESCRIPTION	Q'TY		
			A	B	C
	756-07075-00	S·START KIT (TBC2501)	1		
	756-07120-00	S·START KIT (TBC230)		1	
	756-07027-00	S·START KIT (TBC290)			1
000	762-07075-90	RECOIL STARTER BODY ASS'Y	1		
000	762-07085-90	RECOIL STARTER BODY ASS'Y		1	
000	762-07027-90	RECOIL STARTER BODY ASS'Y			1
001	785-07085-20	STARTER HANDLE	1	1	1
002	772-07085-80	RECOIL STARTER BODY COMP,	1	1	1
003	783-07085-20	RECOIL ROPE	1	1	1
004	780-07085-20	RECOIL SPRING	1	1	1
005	786-07085-20	SPRING PLATE	1	1	1
006,1	778-07027-90	RECOIL SPRING CASE ASS'Y	1		1
006,1	778-07085-90	RECOIL SPRING CASE ASS'Y		1	
006,1	778-07075-90	RECOIL SPRING CASE ASS'Y	1		
006	778-07085-91	SORING CASE ASS'Y		1	1
007	328-07085-20	STARTER BUSH	1	1	1
008,1	774-07075-20	STARTER PULLEY	1		
008,1	774-07085-20	STARTER PULLEY		1	
008,1	774-07027-20	STARTER PULLEY			1
008	774-07085-21	STARTER PULLEY		1	
009	182-07085-20	SPECIAL WASHER 5.2X15	1	1	1
010	990-72050-144	TAPPING SCREW 5X14	1	1	1
011	991-01080-011	HEX. NUT 8			1
012	994-64040-185	HEX. HOLE BOLT 4X18WS			4
013	806-07027-20	STARTER BASE			1
014	806-07070-20	STARTER BASE	1		
015	806-07120-20	STARTER BASE		1	
016	990-73045-144	TAPPING SCREW 4.5X14	3	3	3
017	994-64040-125	HEX. HOLE BOLT 4X12WS		4	
020	798-07085-90	STARTER PULLEY ASS'Y	1	1	1
021	991-91050-001	SQUARE NUT 5		1	
022	915-07078-20	STARTER MARK (S·START)	1	1	1
060	314-07070-20	SPECIAL BOLT	1		

Free Manuals Download Website

<http://myh66.com>

<http://usermanuals.us>

<http://www.somanuals.com>

<http://www.4manuals.cc>

<http://www.manual-lib.com>

<http://www.404manual.com>

<http://www.luxmanual.com>

<http://aubethermostatmanual.com>

Golf course search by state

<http://golfingnear.com>

Email search by domain

<http://emailbydomain.com>

Auto manuals search

<http://auto.somanuals.com>

TV manuals search

<http://tv.somanuals.com>