

# **Tanaka** Illustrated Parts Manual

Model Number:

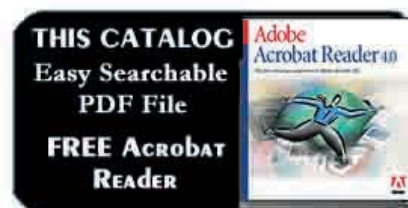
**TBC-255PF**

**GRASS TRIMMER**

P/N 40793

Rev 000

Date 5-3-07

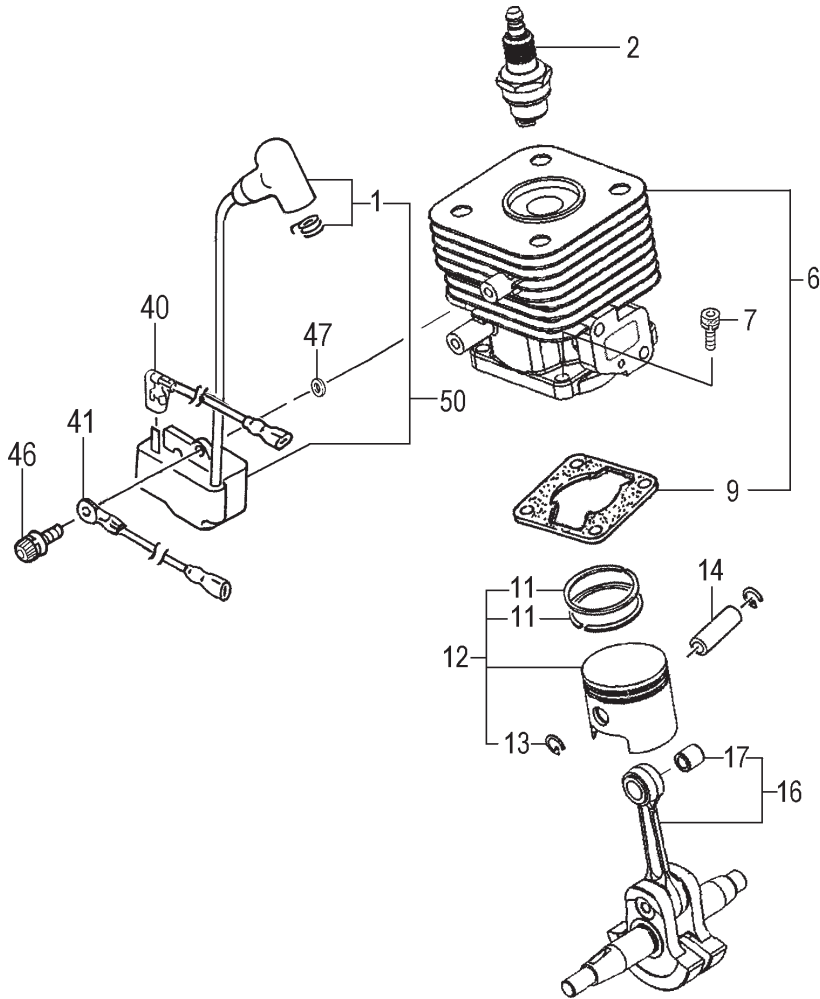


Nikko Tanaka Engineering U.S.A.,Ltd. • 1028 4<sup>th</sup> Street SW, Bldg B • Auburn, WA 98001 • Phone: (253) 333-1200 • Fax: (253) 333-1212

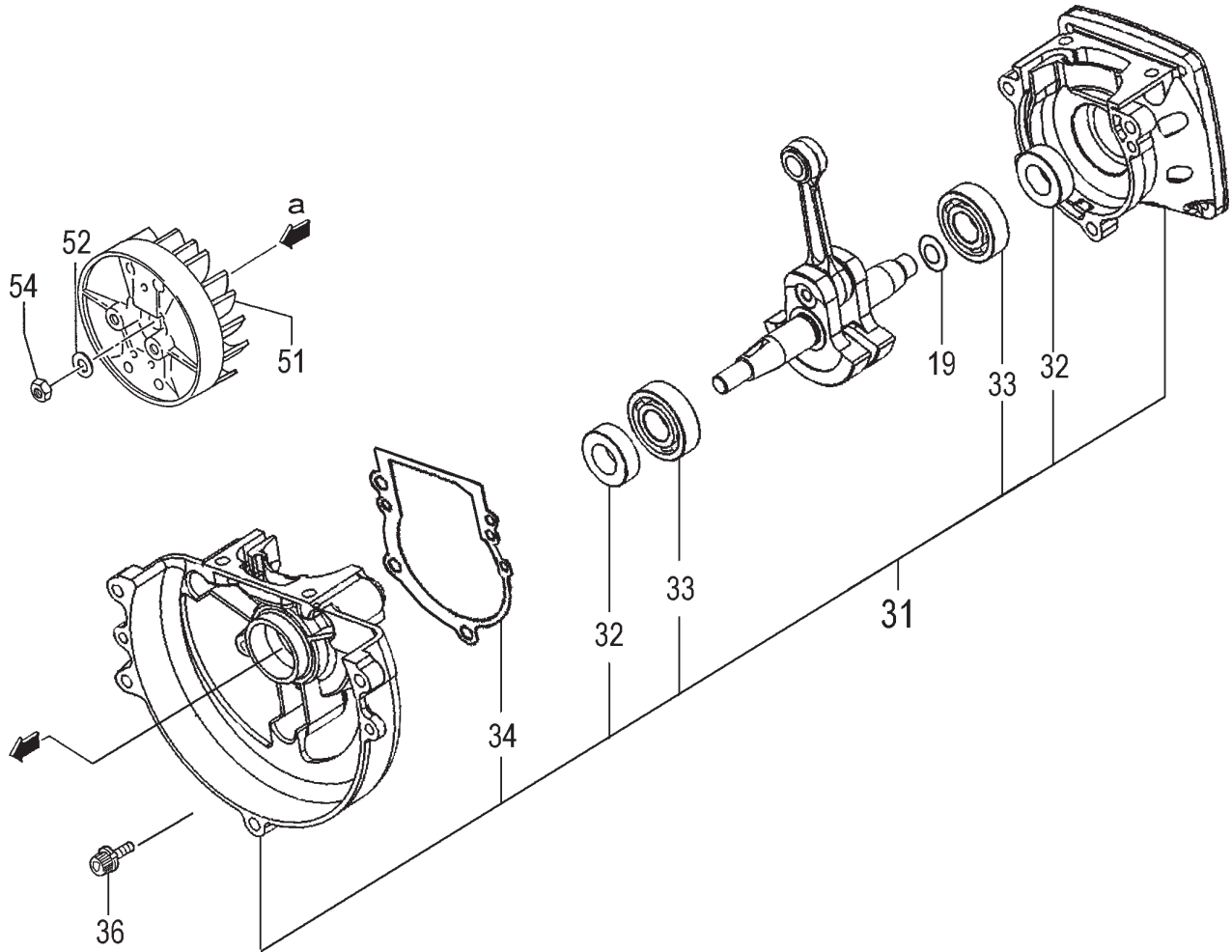
[www.tanakapowerequipment.com](http://www.tanakapowerequipment.com)

[custsvc@nikko-tanaka-usa.com](mailto:custsvc@nikko-tanaka-usa.com)

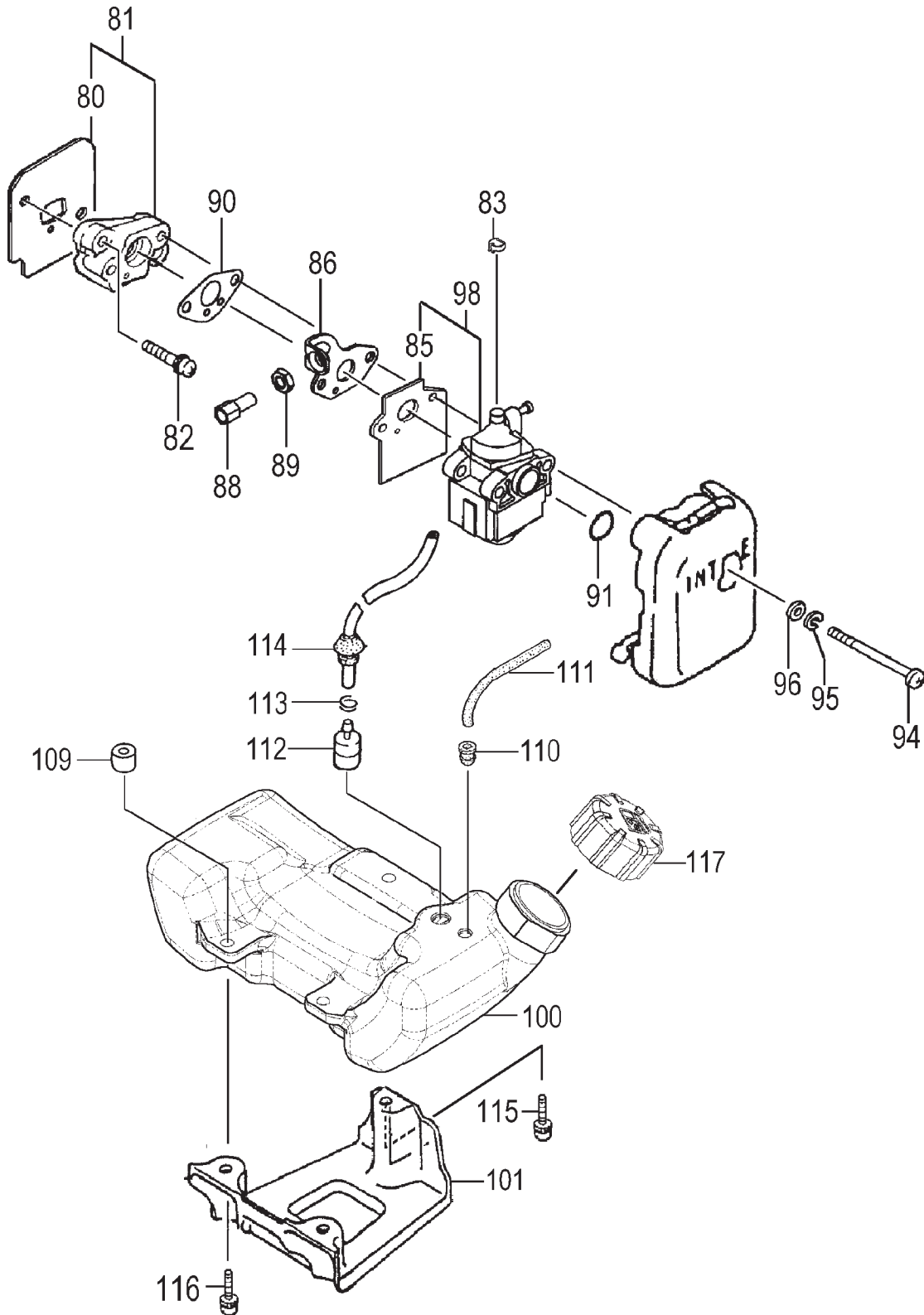
### CYLINDER, PISTON, CRANKSHAFT, IGNITION • FIGURE 1



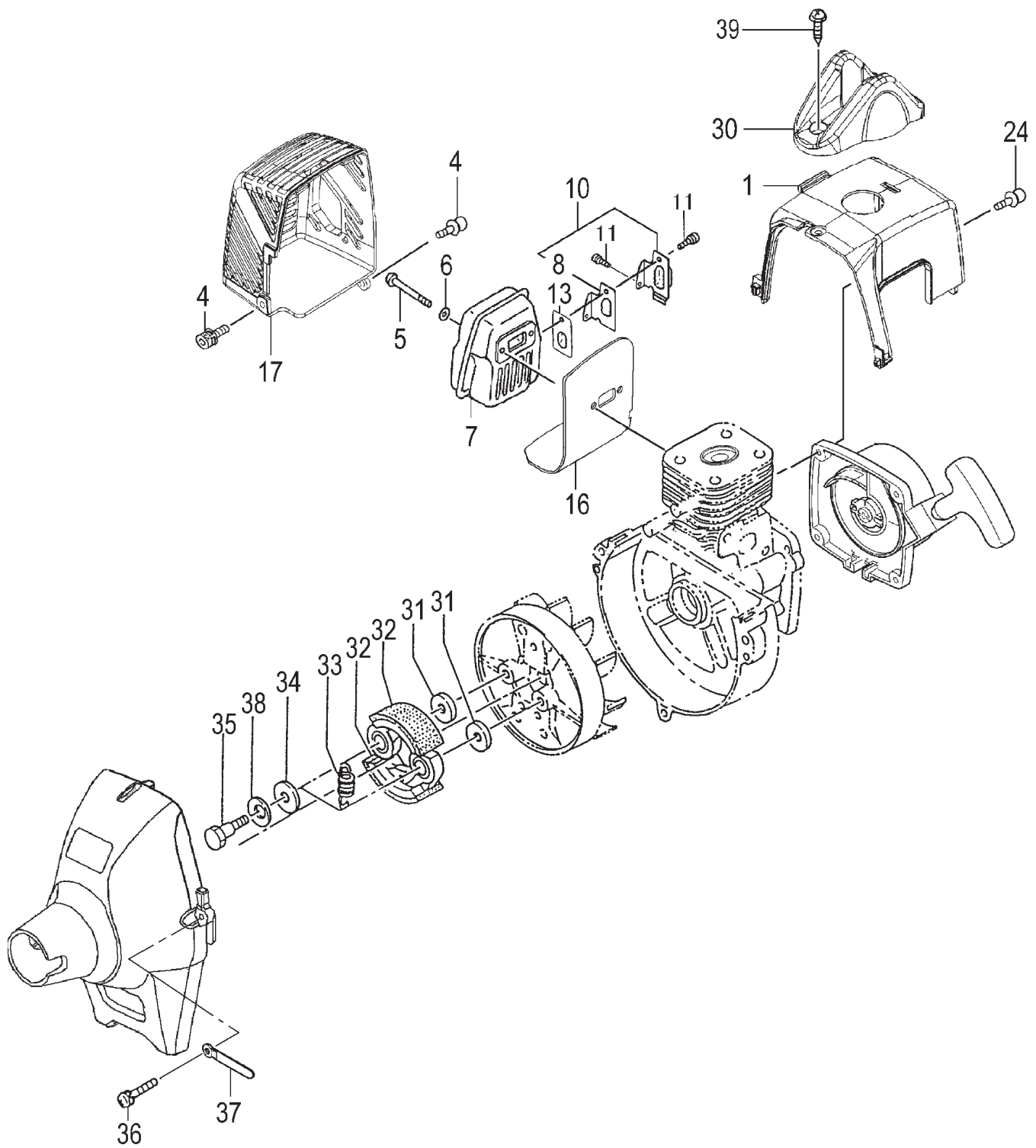
| ITEM | PART NUMBER | DESCRIPTION            | QTY | COMMENTS                    |
|------|-------------|------------------------|-----|-----------------------------|
| 1-1  | 1570168090  | CAP, SPARK PLUG ASS'Y  | 1   |                             |
| 1-2  | 01802233200 | PLUG, SPARK            | 1   |                             |
| 1-6  | 0010760090  | CYLINDER SET           | 1   | Includes gasket             |
| 1-7  | 99461050184 | BOLT, HEX, 5X18, S     | 4   |                             |
| 1-9  | 0170735020  | GASKET, CYLINDER       | 1   |                             |
| 1-11 | 04101601200 | RING, PISTON           | 2   |                             |
| 1-12 | 0300750090  | PISTON SET             | 1   | Includes rings and circlips |
| 1-13 | 03901620200 | CIRCLIP, PISTON PIN    | 2   |                             |
| 1-14 | 0370704520  | PIN, PISTON            | 1   |                             |
| 1-16 | 0460735082  | CRANKSHAFT             | 1   |                             |
| 1-17 | 99962081225 | BEARING, NEEDLE, F-810 | 1   |                             |
| 1-40 | 1780168080  | CORD, STOP             | 1   |                             |
| 1-41 | 2740168080  | CORD, EARTH            | 1   |                             |
| 1-43 | 1672101290  | COIL, IGNITION         | 1   |                             |
| 1-46 | 99464040184 | BOLT, HEX, 4X18WS      | 2   |                             |
| 1-47 | 1820186A201 | WASHER, SPECIAL        | 2   |                             |
| 1-50 | 1672101290  | COIL, IGNITION         | 1   |                             |



| ITEM | PART NUMBER | DESCRIPTION          | QTY | COMMENTS                            |
|------|-------------|----------------------|-----|-------------------------------------|
| 2-19 | 33000200230 | SHIM,12.2X19X.20     | 1   | Includes bearings, seals and gasket |
| 2-19 | 33000200240 | SHIM,12.2X19X.30     | 1   |                                     |
| 2-31 | 0720304592  | CRANKCASE ASSY       | 1   |                                     |
| 2-32 | 99966122206 | SEAL,OIL,#TC12227    | 2   |                                     |
| 2-33 | 99961600115 | BEARING,BALL,6001 C3 | 2   |                                     |
| 2-34 | 0900735022  | GASKET,CRANKCASE     | 1   |                                     |
| 2-36 | 99461050164 | BOLT,HEX,5X16,S      | 4   |                                     |
| 2-51 | 1552101281  | FLYWHEEL             | 1   |                                     |
| 2-52 | 99201080011 | WASHER,8             | 1   |                                     |
| 2-54 | 99101080011 | NUT,8                | 1   |                                     |

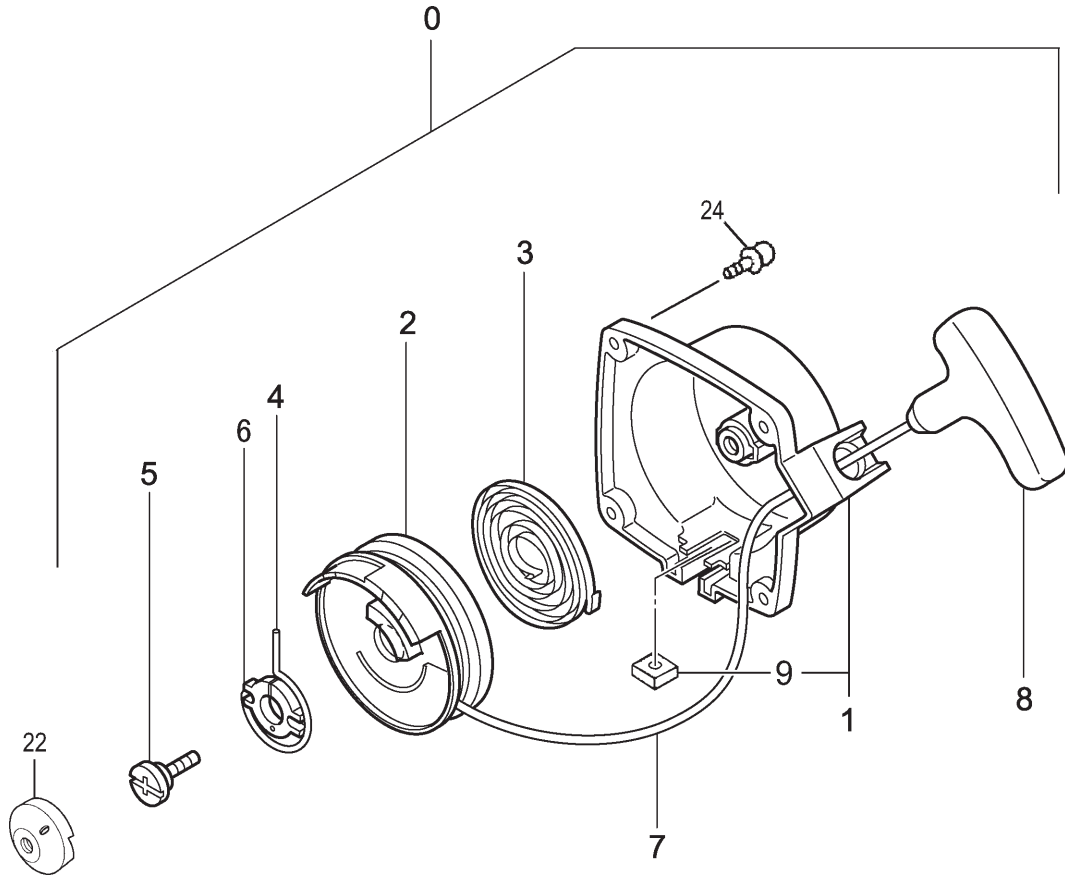


| ITEM  | PART NUMBER | DESCRIPTION           | QTY | COMMENTS        |
|-------|-------------|-----------------------|-----|-----------------|
| 3-80  | 4030702021  | GASKET,INLET MANIFOLD | 1   | Includes gasket |
| 3-81  | 4040702091  | INSULATOR SET         | 1   |                 |
| 3-82  | 99464050254 | BOLT,HEX HOLE,5X25WS  | 2   |                 |
| 3-83  | 5600712020  | SWIVEL CAP            | 1   |                 |
| 3-85  | 4020656A200 | GASKET                | 1   |                 |
| 3-86  | 8780662020  | PLATE,THROTTLE WIRE   | 1   |                 |
| 3-88  | 61425137200 | ADJUSTER,CABLE        | 1   |                 |
| 3-89  | 99101060013 | NUT,6                 | 1   |                 |
| 3-90  | 4020602K21  | GASKET,CARBURETOR     | 1   |                 |
| 3-91  | 99967015000 | O-RING,P15            | 1   |                 |
| 3-94  | 99011050602 | SCREW,5X60            | 2   |                 |
| 3-95  | 99210050012 | WASHER,S,5            | 2   |                 |
| 3-96  | 99201050011 | WASHER,5              | 2   | Includes gasket |
| 3-98  | 4550307090  | CARBURETOR SET        | 1   |                 |
| 3-100 | 5910735F20  | TANK,FUEL,EVAPO       | 1   |                 |
| 3-101 | 9400735020  | STAND                 | 1   |                 |
| 3-109 | 6590430020  | COLLAR,C              | 3   |                 |
| 3-110 | 53432710200 | GROMMET,FUEL PIPE     | 1   |                 |
| 3-111 | 70003005062 | PIPE,FUEL,3X5X62      | 1   |                 |
| 3-112 | 6750404280  | FILTER,FUEL           | 1   |                 |
| 3-113 | 68000731201 | CLIP 6.3              | 1   |                 |
| 3-114 | 2230162V900 | PIPE,FUEL,ASS'Y       | 1   |                 |
| 3-115 | 99464050255 | BOLT,HEX,5x25WS       | 1   |                 |
| 3-116 | 99463050204 | BOLT,HEX 5X20         | 2   |                 |
| 3-117 | 5950300290  | CAP,TANK (BLACK/RED)  | 1   |                 |



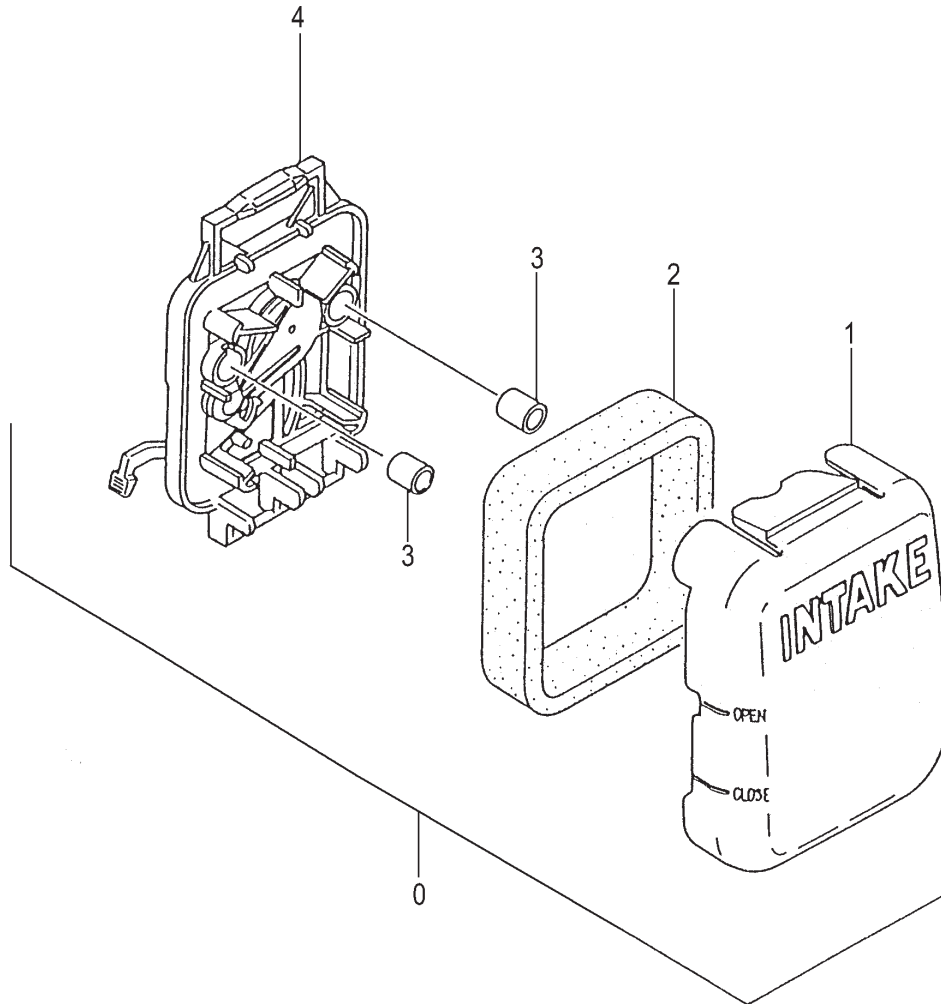
### MUFFLER, CLUTCH & COVER • FIGURE 4

| ITEM | PART NUMBER | DESCRIPTION          | QTY | COMMENTS |
|------|-------------|----------------------|-----|----------|
| 4-1  | 0160750020  | COVER,CYLINDER       | 1   |          |
| 4-4  | 99463050164 | BOLT,HEX,5X16,PS     | 2   |          |
| 4-5  | 99051060653 | BOLT,HEX,6x65        | 2   |          |
| 4-6  | 99201060011 | WASHER,6             | 2   |          |
| 4-7  | 7060750080  | MUFFLER              | 1   |          |
| 4-8  | 7510725020  | GASKET,MUFFLER       | 1   |          |
| 4-10 | 7340725590  | TAIL PIPE SET        | 1   |          |
| 4-11 | 99436040081 | SCREW,4X18WS         | 2   |          |
| 4-13 | 7320725020  | ARRESTER,SPARK       | 1   |          |
| 4-16 | 1330750020  | SHIELD,HEAT          | 1   |          |
| 4-17 | 7380750020  | COVER,MUFFLER        | 1   |          |
| 4-24 | 99464040185 | BOLT,HEX,4x18WS      | 2   |          |
| 4-30 | 2570304520  | PROTECTOR,SPARK PLUG | 1   |          |
| 4-31 | 35902103200 | WASHER,CLUTCH,B      | 2   |          |
| 4-32 | 29001620800 | SHOE,CLUTCH          | 2   |          |
| 4-33 | 3420630B200 | SPRING,CLUTCH        | 1   |          |
| 4-34 | 3480630A20  | PLATE,CLUTCH         | 2   |          |
| 4-35 | 3570075T200 | BOLT,STEP            | 2   |          |
| 4-36 | 99463050204 | BOLT,HEX 5X20        | 3   |          |
| 4-37 | 19805015800 | CLAMP,CORD           | 1   |          |
| 4-38 | 99205080030 | WASHER,8             | 2   |          |
| 4-39 | 99072045164 | SCREW,TAPPING,4.5X16 | 1   |          |

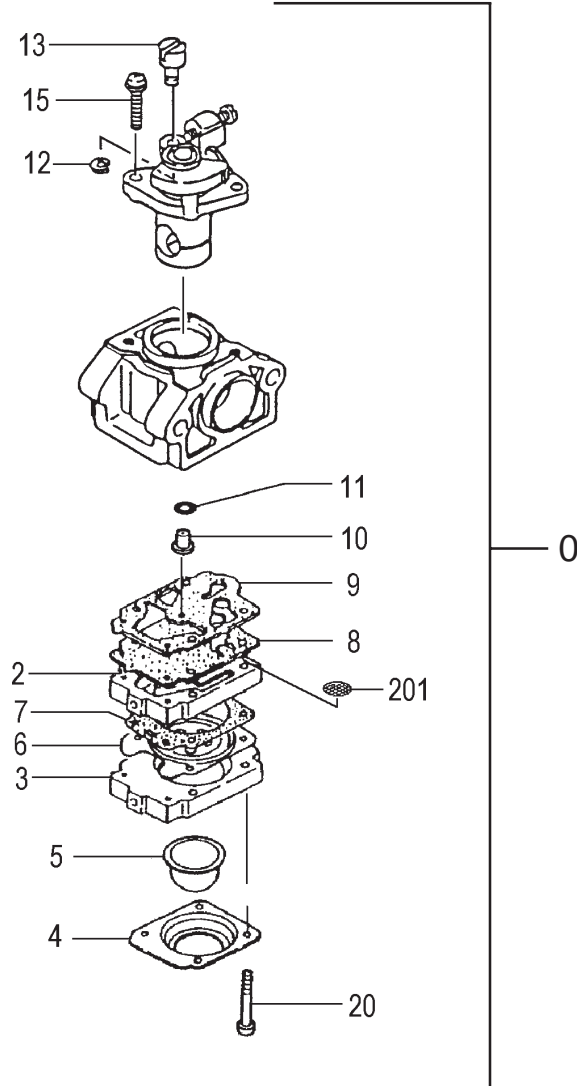


| ITEM | PART NUMBER | DESCRIPTION     | QTY | COMMENTS |
|------|-------------|-----------------|-----|----------|
| 5-0  | 7620304590  | STARTER ASS'Y   | 1   |          |
| 5-1  | 7720304580  | BODY,STARTER    | 1   |          |
| 5-2  | 7740304520  | PULLEY,STARTER  | 1   |          |
| 5-3  | 7790304520  | SPRING,RECOIL   | 1   |          |
| 5-4  | 7770304520  | ARM,SWING       | 1   |          |
| 5-5  | 8390304520  | SCREW,SET       | 1   |          |
| 5-6  | 7710304520  | STAY,PULLEY     | 1   |          |
| 5-7  | 7830304520  | ROPE,STARTER    | 1   |          |
| 5-8  | 7850304520  | HANDLE,STARTER  | 1   |          |
| 5-9  | 3153334020  | NUT,SPECIAL 5MM | 1   |          |
| 5-22 | 7980304520  | PULLEY,STARTER  | 1   |          |
| 5-24 | 99464040185 | BOLT,HEX,4x18WS | 4   |          |

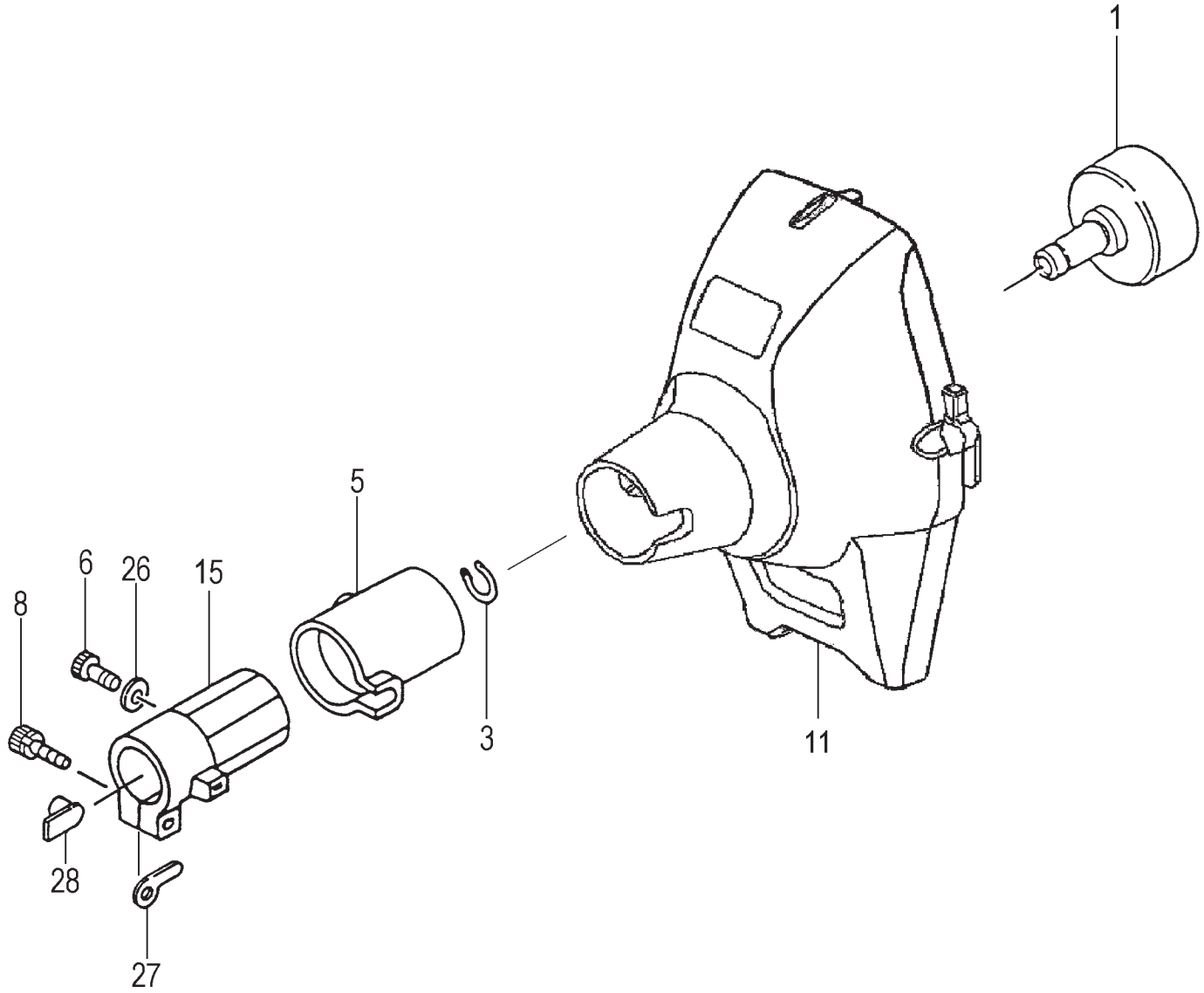




| ITEM | PART NUMBER | DESCRIPTION       | QTY | COMMENTS |
|------|-------------|-------------------|-----|----------|
| 6-0  | 41000025900 | CLEANER,AIR ASS'Y | 1   |          |
| 6-1  | 42400025200 | CAP,AIR CLEANER   | 1   |          |
| 6-2  | 44600025200 | ELEMENT,CLEANER   | 1   |          |
| 6-3  | 47000025200 | COLLAR            | 2   |          |
| 6-4  | 42300025800 | BODY,CLEANER,AIR  | 1   |          |

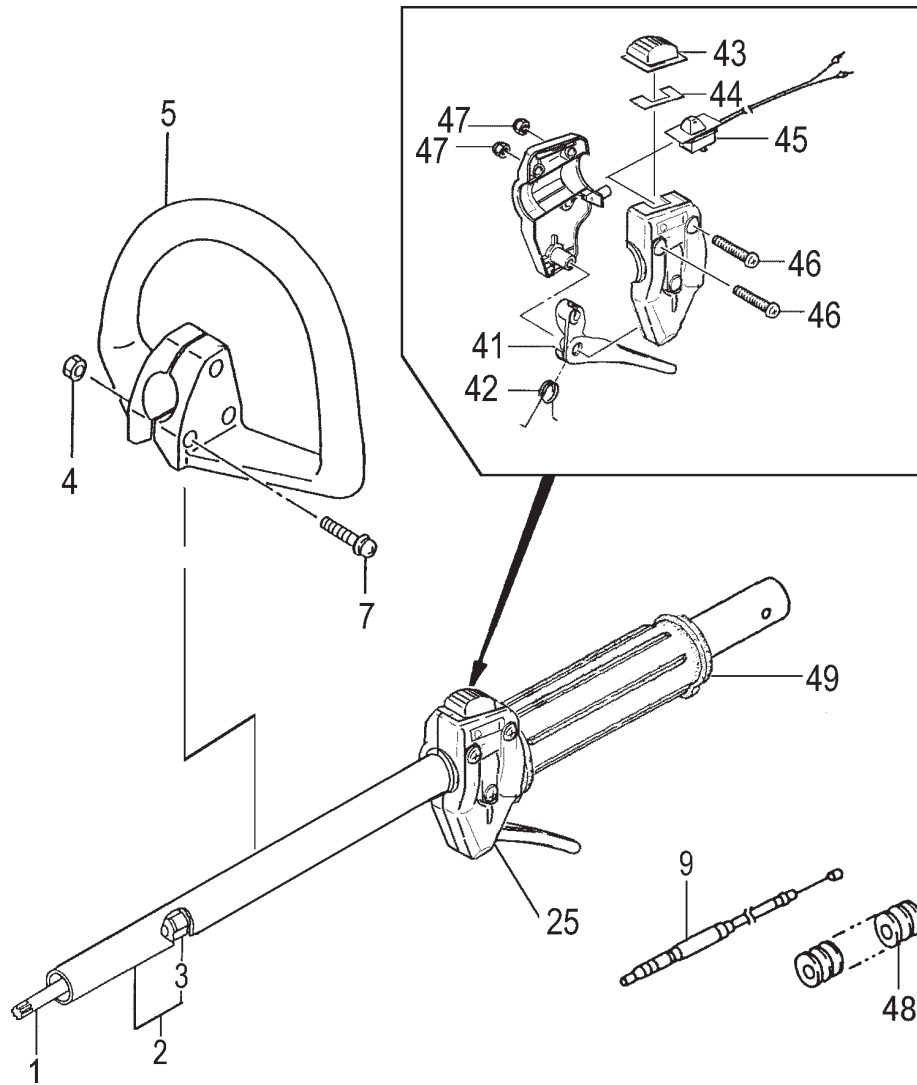


| ITEM  | PART NUMBER | DESCRIPTION        | QTY | COMMENTS                           |
|-------|-------------|--------------------|-----|------------------------------------|
| 7-0   | 4550307090  | CARBURETOR SET     | 1   | Includes gasket                    |
| 7-2   | 5752515380  | BODY,PUMP          | 1   |                                    |
| 7-3   | 4422515180  | PUMP,PRIMING       | 1   |                                    |
| 7-4   | 4762515120  | COVER,DIAPHRAGM    | 1   |                                    |
| 7-5   | 44725108200 | BULB,PRIMING       | 1   |                                    |
| 7-6   | ~ ~ ~       | DIAPHRAGM,METERING | 1   | Included in Carb Kit #650.25140.90 |
| 7-7   | ~ ~ ~       | GASKET,DIAPHRAGM   | 1   | (items not available individually) |
| 7-8   | ~ ~ ~       | DIAPHRAGM,PUMP     | 1   |                                    |
| 7-9   | ~ ~ ~       | GASKET,PUMP        | 1   |                                    |
| 7-10  | 599200BW33  | MAIN JET,#33.5     | 1   |                                    |
| 7-11  | 55025100200 | O-RING             | 1   |                                    |
| 7-12  | 48925100200 | RING,STOP          | 1   |                                    |
| 7-13  | 53925120200 | SWIVEL             | 1   |                                    |
| 7-15  | 54825140200 | SCREW,THROTTLE SET | 2   |                                    |
| 7-20  | 5482515120  | SCREW,SET          | 4   |                                    |
| 7-201 | 57825007200 | SCREEN,INLET       | 1   |                                    |

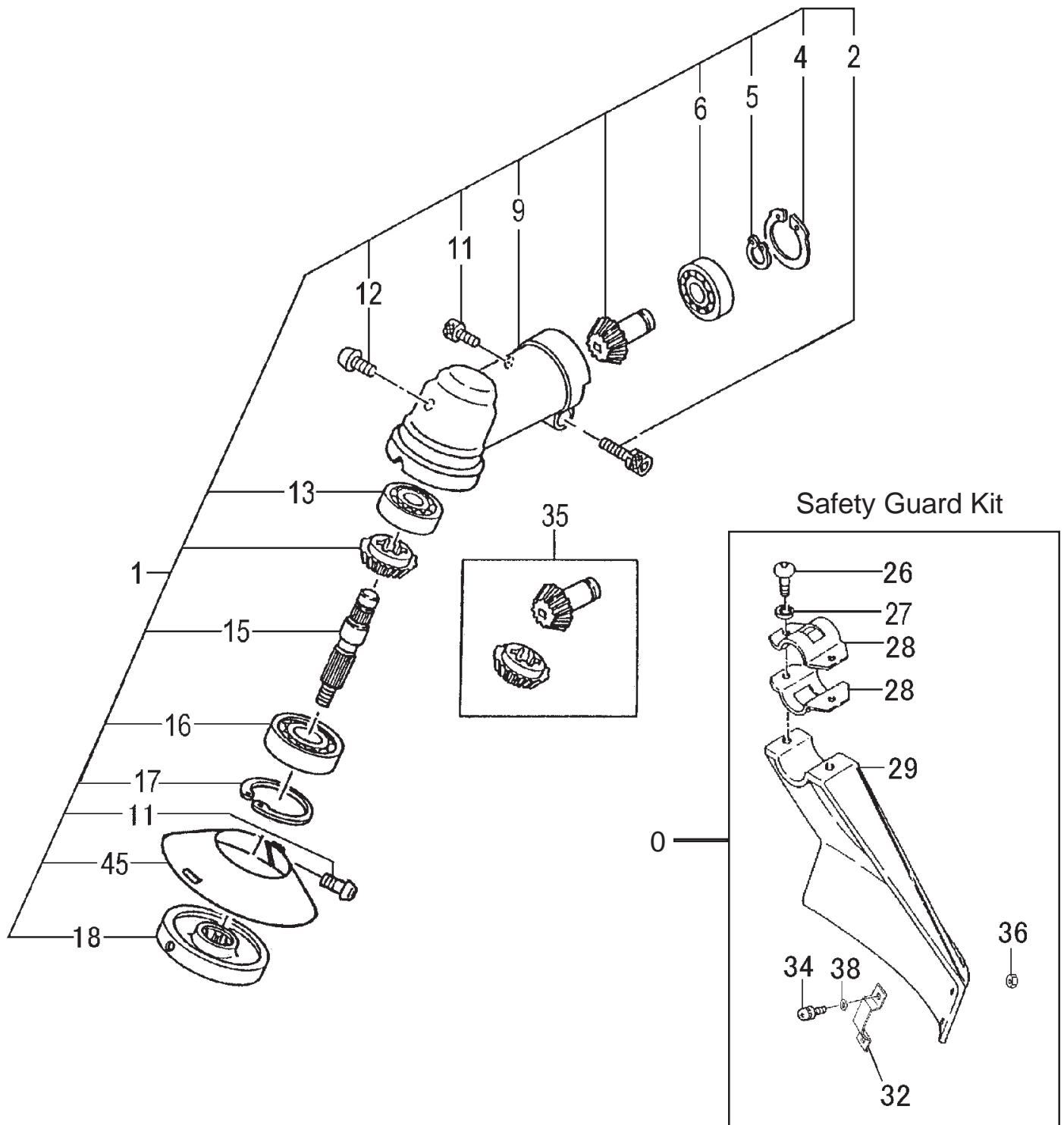


| ITEM | PART NUMBER | DESCRIPTION         | QTY | COMMENTS |
|------|-------------|---------------------|-----|----------|
| 8-1  | 2890307080  | DRUM,CLUTCH         | 1   |          |
| 8-3  | 99350012002 | RING,STOP,C-12 EX   | 1   |          |
| 8-5  | 5990098021  | CUSHION,RUBBER      | 1   |          |
| 8-6  | 99051050163 | BOLT,HEX,5X16       | 1   |          |
| 8-8  | 99461050254 | BOLT,HEX HOLE,5X25S | 1   |          |
| 8-11 | 1120304580  | CASE,FAN            | 1   |          |
| 8-15 | 3600099620  | PIPE HOLDER         | 1   |          |
| 8-26 | 99201050061 | WASHER,5            | 1   |          |
| 8-27 | 3243735020  | WASHER,GEAR CASE    | 1   |          |
| 8-28 | 3610099020  | FITTING,METAL       | 1   |          |

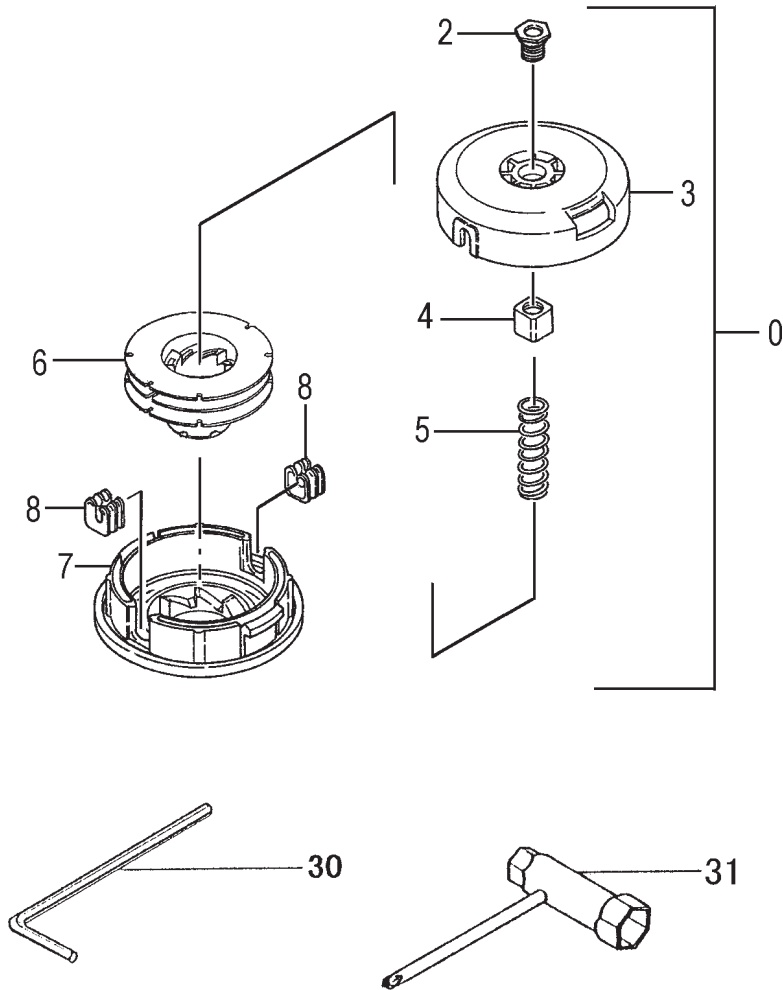
### DRIVE SHAFT & FRONT HANDLE • FIGURE 9



| ITEM | PART NUMBER | DESCRIPTION           | QTY | COMMENTS |
|------|-------------|-----------------------|-----|----------|
| 9-1  | 3433836020  | SHAFT,DRIVE           | 1   |          |
| 9-2  | 3413836081  | PIPE,DRIVE SHAFT      | 1   |          |
| 9-3  | 3473836090  | BUSHING               | 5   |          |
| 9-4  | 99101050041 | NUT,5                 | 3   |          |
| 9-5  | 5003845120  | HANDLE,FRONT          | 1   |          |
| 9-7  | 99416050302 | SCREW,5x30,WS         | 3   |          |
| 9-9  | 8853823080  | WIRE,THROTTLE         | 1   |          |
| 9-25 | 8703845190  | LEVER,THROTTLE ASSY   | 1   |          |
| 9-41 | 8803845120  | LEVER,THROTTLE        | 1   |          |
| 9-42 | 8323845120  | SPRING,RETURN         | 1   |          |
| 9-43 | 1623845120  | BUTTON,STOP           | 1   |          |
| 9-44 | 9253845120  | DECAL,STOP SWITCH     | 1   |          |
| 9-45 | 1563845180  | SWITCH,STOP           | 1   |          |
| 9-46 | 99011050301 | SCREW,5X30            | 3   |          |
| 9-47 | 99101050011 | NUT,5                 | 3   |          |
| 9-48 | 1640701701  | TUBE,PROTECTION,7x170 | 1   |          |
| 9-49 | 5093845321  | GRIP,SHAFT            | 1   |          |



| ITEM  | PART NUMBER | DESCRIPTION          | QTY | COMMENTS |
|-------|-------------|----------------------|-----|----------|
| 10-0  | 4413782090  | SAFETY GUARD KIT     | 1   |          |
| 10-1  | 3003845190  | CASE,GEAR ASSY       | 1   |          |
| 10-2  | 99461050254 | BOLT,HEX HOLE,5X25S  | 1   |          |
| 10-4  | 99351024002 | RING,STOP,C-24,IN    | 1   |          |
| 10-5  | 99350009002 | RING,STOP,C9         | 1   |          |
| 10-6  | 99961609002 | BEARING,BALL,#609Z   | 1   |          |
| 10-9  | 3003836021  | CASE,GEAR            | 1   |          |
| 10-11 | 99416050121 | SCREW,5X12/PS        | 2   |          |
| 10-12 | 3163815020  | BOLT,FITTING,M8      | 1   |          |
| 10-13 | 99961626000 | BEARING,BALL,#626    | 1   |          |
| 10-15 | 3043845120  | SHAFT,GEAR           | 1   |          |
| 10-16 | 99961600003 | BEARING,BALL,#6000D  | 1   |          |
| 10-17 | 99351026002 | RING,STOP,IN,C-26    | 1   |          |
| 10-18 | 3103836020  | HOLDER,CUTTER        | 1   |          |
| 10-26 | 99053060203 | BOLT,HEX,6X20        | 2   |          |
| 10-27 | 99210060062 | WASHER,S,6           | 2   |          |
| 10-28 | 4423741720  | BRACKET,SAFETY GUARD | 2   |          |
| 10-29 | 4413782080  | GUARD,SAFETY         | 1   |          |
| 10-32 | 7973782020  | LIMITER,LINE         | 1   |          |
| 10-34 | 99414040121 | SCREW,4X12/S         | 2   |          |
| 10-35 | 3013836000  | SET,GEAR & PINION    | 1   |          |
| 10-36 | 99101040011 | NUT,4                | 2   |          |
| 10-38 | 99201040011 | WASHER,4             | 2   |          |
| 10-45 | 3033836020  | COVER,GEAR CASE      | 1   |          |



| ITEM  | PART NUMBER | DESCRIPTION               | QTY | COMMENTS |
|-------|-------------|---------------------------|-----|----------|
| 11-0  | 746451      | HEAD,SEMI-AUTO,5"         | 1   |          |
| 11-2  | 3563383E20  | ADAPTER,746451,8x1.25 LHF | 1   |          |
| 11-3  | 7863383020  | BODY,CUTTING              | 1   |          |
| 11-4  | 3153383020  | NUT,SPECIAL               | 1   |          |
| 11-5  | 7933383020  | SPRING,REEL               | 1   |          |
| 11-6  | 7873383020  | REEL                      | 1   |          |
| 11-7  | 7893383020  | CAP,BODY                  | 1   |          |
| 11-8  | 7883383020  | EYELET                    | 2   |          |
| 11-30 | 8132901460  | WRENCH,HEX 14             | 1   |          |
| 11-31 | 829290052H  | SPANNER,COMBI 13x19       | 1   |          |



| ITEM  | PART NUMBER | DESCRIPTION     | QTY | COMMENTS |
|-------|-------------|-----------------|-----|----------|
| 12-1  | 9060750020  | DECAL,PUREFIRE  | 1   |          |
| 12-2  | 9290750520  | DECAL,TBC-255PF | 1   |          |
| 12-4  | 9233738F20  | DECAL,LEVEL     | 1   |          |
| 12-7  | 9293810020  | DECAL,SYMBOL,PF | 1   |          |
| 12-10 | 9193782020  | DECAL,CAUTION A | 1   |          |
| 12-18 | 9233728620  | DECAL,LEVEL     | 1   |          |
| 12-26 | 9233844720  | DECAL,LEVEL     | 1   |          |



## Free Manuals Download Website

<http://myh66.com>

<http://usermanuals.us>

<http://www.somanuals.com>

<http://www.4manuals.cc>

<http://www.manual-lib.com>

<http://www.404manual.com>

<http://www.luxmanual.com>

<http://aubethermostatmanual.com>

Golf course search by state

<http://golfingnear.com>

Email search by domain

<http://emailbydomain.com>

Auto manuals search

<http://auto.somanuals.com>

TV manuals search

<http://tv.somanuals.com>