

Tanaka



Parts Catalog



String Trimmer

Model TBC-2800

03-01-95

FIGURE 1

POWERHEAD ASSEMBLY

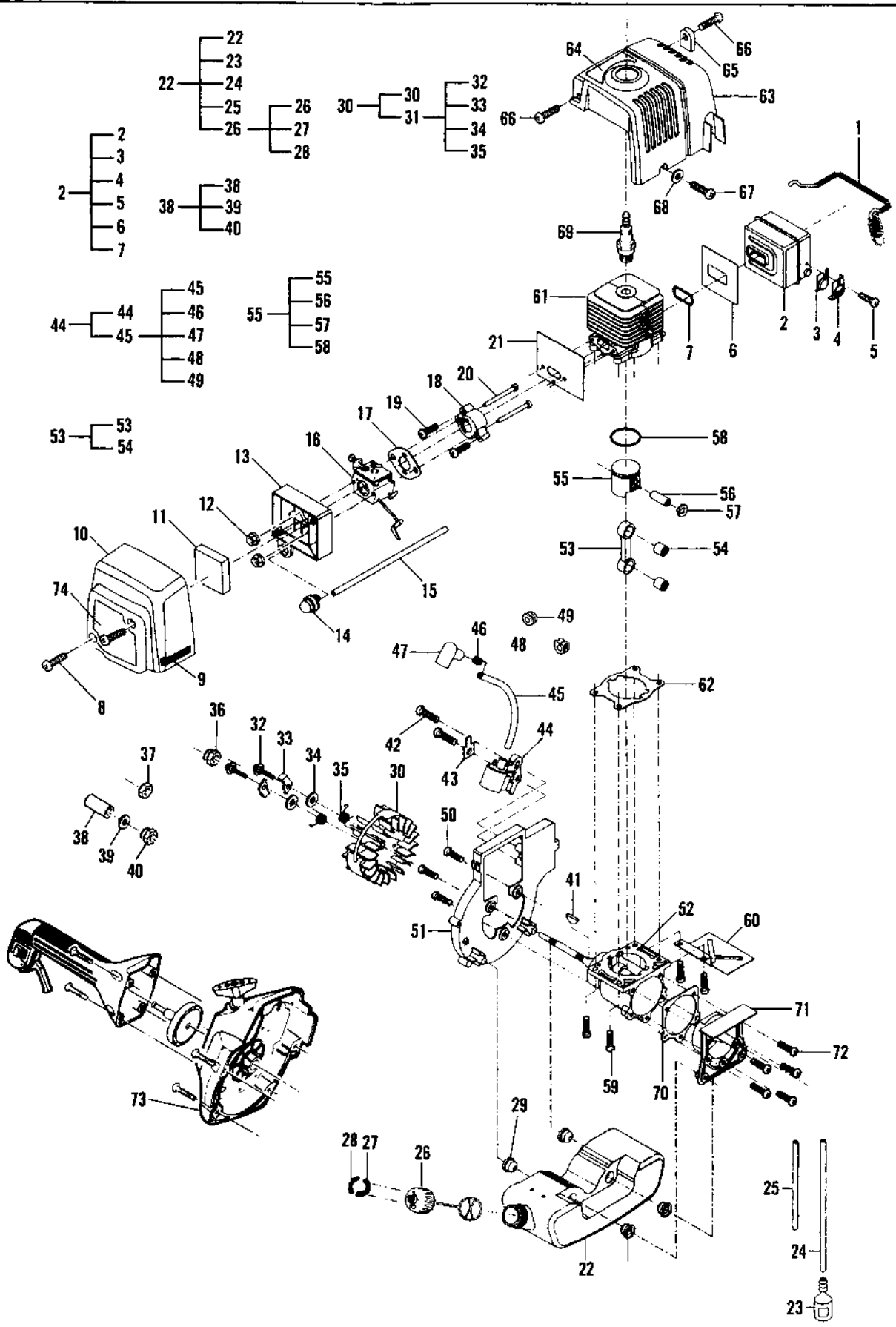


FIGURE 1

POWERHEAD ASSEMBLY

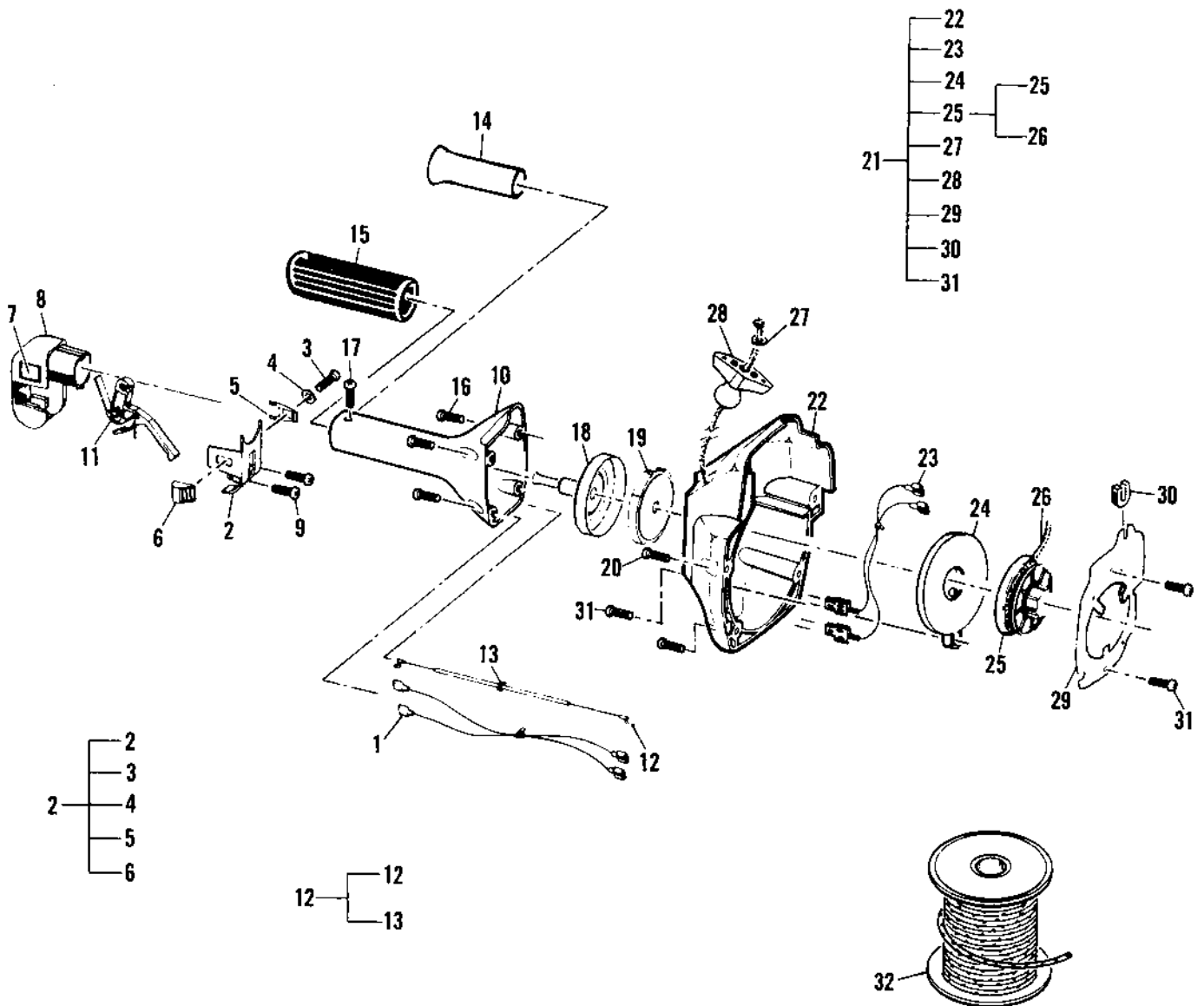
ITEM NO.	STK. CODE	PART NUMBER	DESCRIPTION	UNITS PER ASY.
1	A	224044	Spring, Muffler	1
2	A	300628	Kit, Muffler	1
3	A	224040	. Screen, Spark Arrester	1
4	B	322032	. Cover, Spark Arrester	1
5	B	111072	. Screw, 8-18 x .31 PN HD TORX	1
6	A	224228	. Gasket, Muffler	1
7	A	224922	. Gasket, Exhaust Port	1
8	A	111055	Screw, 10-14 x .625 Plastite	2
9	B	322478	Label, Choke(Horizontal)	1
10	A	224236	Cover, Air Cleaner-Large(Blk)	1
11	A	224239	Filter, Air	1
12	A	111058	Nut, 10-24 Flange / Hex	2
13	A	224238	Box, Air (Blk)	1
14	A	224242-01	Primer, Remote	1
15	A	225163	Hose, Fuel Return	1
16		FIGURE 3	CARBURETOR W/CHOKE	1
17	A	218933	Gasket, Carburetor	1
18	A	224041	Manifold, Carburetor	1
19	A	111053	Screw, 10-24 x .88	2
20	B	111057	Screw, 10-24 SPL	2
21	A	322031	Gasket, Manifold	1
22	B	300871	Kit, Fuel Tank / Cap (Blk)	1
23	A	300869	. Filter, Fuel	1
24	A	225162	. Hose, Fuel	1
25	A	225163	. Hose, Fuel Return	1
26	A	300700	. Kit, Fuel Cap/Decal	1
27	B	211242	.. Decal, (OPEN SLOWLY)	1
28	C	322250	.. Decal, Fuel Cap	1
29	A	322105	Isolator, Fuel Tank	4
30	A	300827	Kit, Flywheel	1
31	A	301019	. Kit, Pawls	1
32	A	111090	.. Screw, Starter Pawl 12-24 L.H.	2
33	A	322320	.. Pawl, Starter	2
34	A	93469	.. Washer, Starter Pawl	2
35	A	223339	.. Spring, Starter Pawl	2
36	B	322847	. Nut, Hex	1
37	A	111085	① . Nut	1
38	C	301114	Kit, Clutch Spacer	1
39	A	322844	. Washer, Shaft	1
40	B	322847	. Nut, Hex	1

ITEM NO.	STK. CODE	PART NUMBER	DESCRIPTION	UNITS PER ASY.
41	A	102164	Key, Flywheel	1
42	A	111053	Screw, 10-24 x .88 THD Form	2
43	B	300321	Terminal Tab	1
44	A	219848-01	Ignition Assembly	1
45	A	223884	. Kit, Spark Plug Wire	1
46	A	102556	.. Connector, Spark	1
47	A	95266	.. Boot, Spark Plug	1
48	A	215533-01	① .. Grommet, H/T Lead	1
49	A	110995	① .. Grommet, S/Plug Wire	1
50	A	111054	Screw, 10-24 x .625	3
51	B	224042	Shroud, Engine Machined	1
52	B	300766	Crankcase / Shaft Assembly CD	1
		---	. Crankshaft Assembly	1
		---	. Crankcase, Machined	1
		---	.. Bearing 6202	1
		---	.. Bearing 6202RS	1
		---	.. Seal	1
		---	.. Spacer	1
		---	.. O Ring	1
53	A	224009	Connecting Rod Assembly	1
54	A	91117	. Bearing	2
55	A	300661	Kit, Piston, 28cc Aluminum	1
56	B	300482	. Piston Pin, C'shaft (10mm dia)	1
57	A	215876	. Ring, Retaining	1
58	A	224224	. Ring, Piston 35mm	1
59	A	111065	Screw, 10-24 x .688 Tri Rnd	4
60	A	322030	Shield, Muffler	1
61	A	300452	Kit, Cylinder 28cc Chrome	1
62	A	224022	. Gasket, Cylinder	1
63	B	224235	Cover, Cylinder/Muffler (Blk)	1
64	B	322480	Label, Start Instructions (SLI/SW)	1
65	C	322210	Washer, Plastic	1
66	B	111067	Screw, 10-24 x .63 SL TORX TP	2
67	B	111068	Screw, 10-14 x 1.38 Taptite	1
68	A	93469	Washer	1
69	A	62345	Spark Plug / DJ8J	1
70	A	224023	Gasket, Crankcase	1
71	B	224024	Plug, Crankcase	1
72	A	111065	Screw, 10-24 x .688 Tri Rnd	5
73		FIGURE 2	STARTER HOUSING ASSEMBLY	1
74	C	46758-20	Label, Air Box	1

① Not Used

FIGURE 2

STARTER HOUSING ASSEMBLY

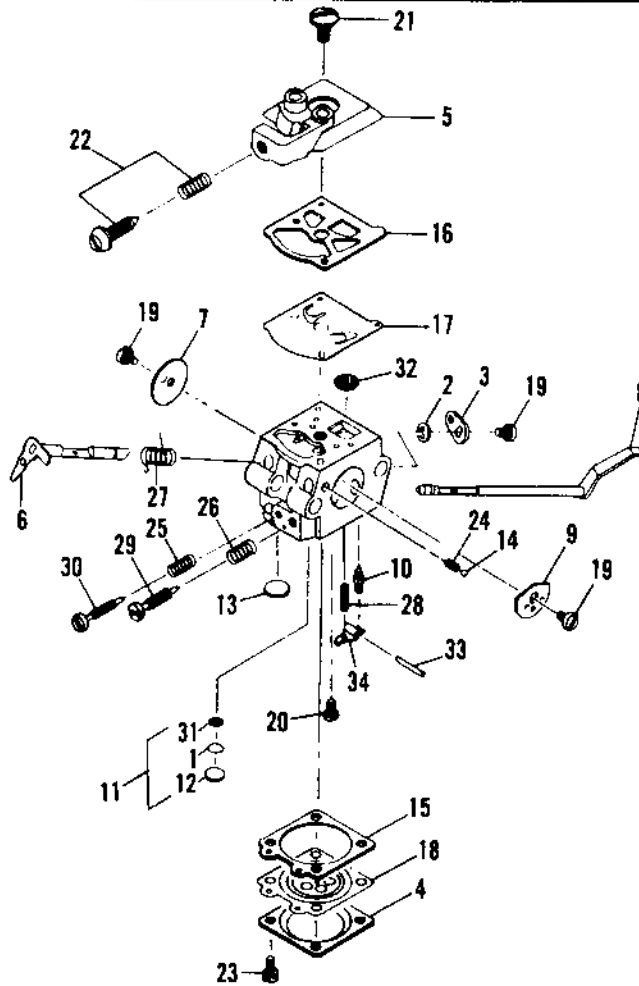


ITEM NO.	STK. CODE	PART NUMBER	DESCRIPTION	UNITS PER ASY.
1	A	301133	Wire Assembly, Switch	1
2	B	300064	Cover Assembly, Switch	1
3	B	111069	. Screw, 8-16 x .375 Plastite	1
4	B	105497	. Washer, Flat (.180 ID max)	1
5	B	224246	. Contact, Switch	1
6	B	224245	. Button, Stop Switch	1
7	B	322081	Label, ON/OFF Switch	1
8	B	224234	Trigger Housing Assembly 22mm	1
9	A	111061	Screw, 6-19 x .62 FL HD Plast	2
10	C	323696	Housing, Clutch	1
11	A	300361	Trigger, Throttle	1
12	A	300372	Throttle Cable Assembly	1
13	A	111074	. Nut, Speed .188 ID	1
14	A	322234	Sleeve, Protecting	1
15	B	322140	Grip	1
16	A	224919	Screw, 10-14 x 1.0 PN HD	4

ITEM NO.	STK. CODE	PART NUMBER	DESCRIPTION	UNITS PER ASY.
17	A	111070	Screw, 12-11 x .5 PN HD TORX	1
18	B	302106	Drum Assembly, Clutch	1
19	A	300459	Kit, Clutch	1
20	A	111054	Screw, 10-24 x .625	4
21	C	301927	Starter Assembly	1
22	C	302122	. Housing, Starter/Rope Guide	1
23	A	301134	. Wire Assembly	1
24	A	300475	. Package, Spring Assembly	1
25	A	300872	. Drum/Rope Assembly	1
26	A	222869	. Rope, Starter (46")	1
27	B	218941	. Washer, Nylon	1
28	A	216792	. Handle, Starter	1
29	A	224927	. Plate, Baffle	1
30	A	215533-01	. Grommet, H/T Lead	1
31	A	223357	. Screw, 8-16 Plastite	3
32	B	300415	Rope, Bulk	1

FIGURE 3

CARBURETOR ASSEMBLY



ITEM NO.	STK. CODE	PART NUMBER	DESCRIPTION	UNITS PER ASY.	ITEM NO.	STK. CODE	PART NUMBER	DESCRIPTION	UNITS PER ASY.
	A	224033-02	Carburetor w/Choke, Walbro WT-231A		20		①	Screw, Metering Lever Pin	1
1		①④	Ring, Screen Retainer	1	21			Screw, Pump Cover	1
2			Ring, Shaft Retainer	1	22			Screw, Idle Adjust Kit	1
3			Lever, Throttle	1	23		①	Screw, Metering Cover	4
4			Cover, Metering Lever	1	24		③	Spring, Choke Friction	1
5	B	300072	Cover, Fuel Pump	1	25		①	Spring, Idle Needle	1
6			Shaft Assembly, Throttle	1	26		①	Spring, High Speed Needle	1
7			Valve, Throttle	1	27		①	Spring, Throttle Return	1
8		③	Shaft Assembly, Choke	1	28		①	Spring, Metering Lever	1
9		③	Valve, Choke	1	29		①	Needle, High Speed	1
10		①	Valve, Inlet Needle	1	30		①	Needle, Idle	1
11			Seat Assembly, Check Valve	1	31		①	Screen, Check Valve	1
12		①	Plug, Cup 5mm	1	32		①	Screen, Fuel Inlet	1
13		①	Plug, Welch 5/16	1	33		①	Pin, Metering Lever	1
14		③	Ball, Choke Friction	1	34		①	Lever, Metering	1
15		①②	Gasket, Metering Diaphragm	1					
16		①②	Gasket, Fuel Pump	1	①	A	300457	Kit, Carburetor Repair	
17		①②	Diaphragm, Fuel Pump	1	②	A	224460	Kit, Gasket/Diaphragm	
18		①②	Diaphragm Assembly, Metering	1	③	A	322363	Kit, Choke Lever	
19		①③	Screw, Valve	3					

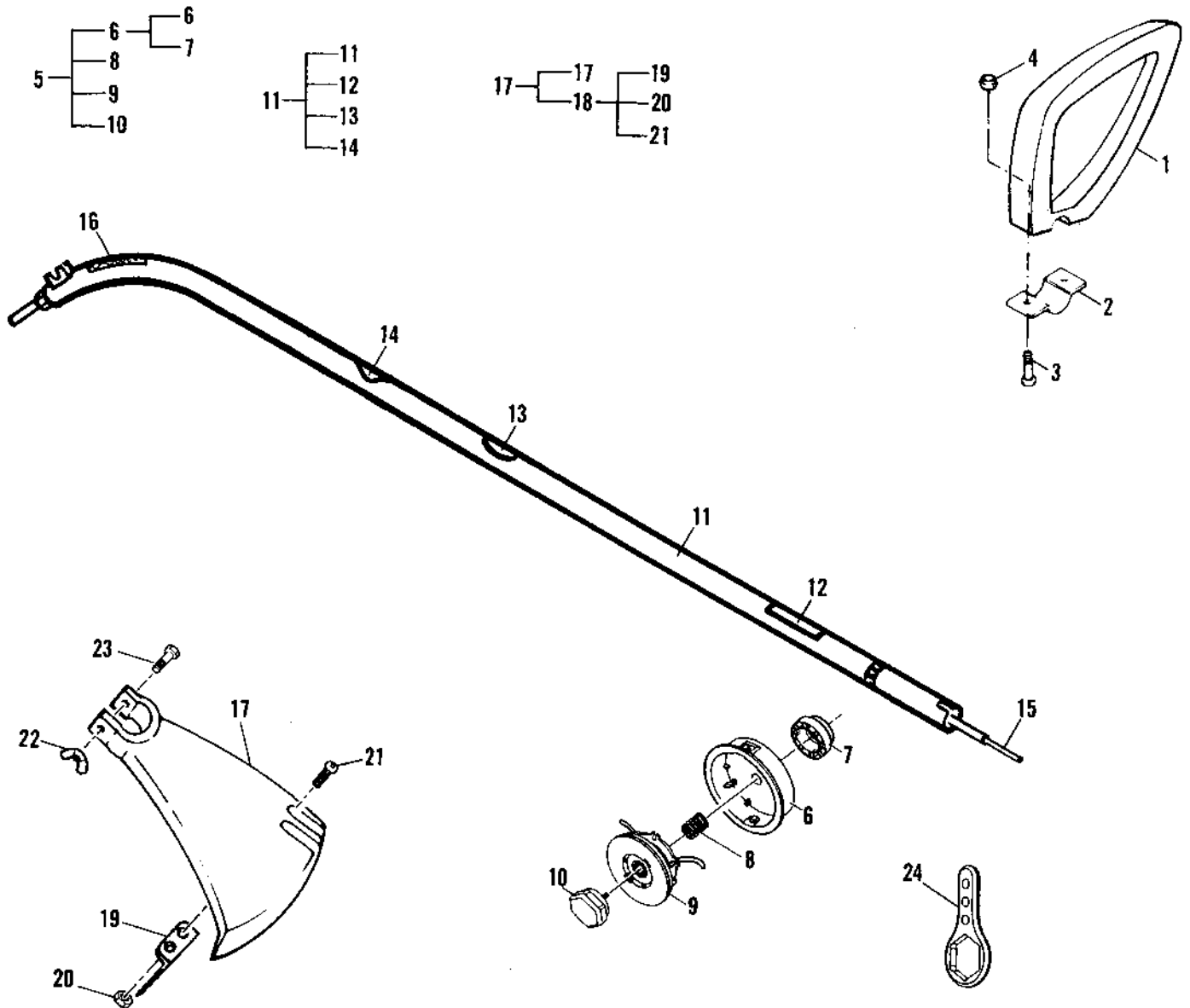
NOTE: Items are shown for identification and disassembly sequence purposes only. Components are not available separately unless a part number is listed before the part description.

CARBURETOR METERING LEVER ADJUSTMENT AND SETTINGS

CARBURETOR INLET POP OFF - 16-29 PSI
INLET - FLUSH WITH METERING CHAMBER FLOOR.

FIGURE 4

SHAFT/HANDLE /CUTTER ASSEMBLY



ITEM NO.	STK. CODE	PART NUMBER	DESCRIPTION	UNITS PER ASY.
1	A	217444	Handle, Delta	1
2	A	217442	Clamp, Handle	1
3	A	120041	Screw, M5 x .8 x 22 Hex	2
4	A	217159	Nut, Hex M5	2
5	A	300651	Kit, Stringhead -Sml-	1
6	A	322025	. Housing/Eyelet Asy. w/Collar	1
7	A	224998	.. Collar	1
8	A	322626	. Spring	1
9	A	300688	. Kit, Line on Spool(M-Sm)	1
10	A	300736	. Kit, Knob Asy. (Right)	1

ITEM NO.	STK. CODE	PART NUMBER	DESCRIPTION	UNITS PER ASY.
11	A	300429	Housing Assembly, Outer	1
12	B	218295	. Decal, Warning	1
13	C	223407	. Decal, Eye/Ear Cover	1
14	C	211214	. Decal, Warning(15m)	1
15	C	301023	Drive Assembly w/Clip	1
16	B	322099	Label, Debris Shield Warning	1
17	A	224062	Shield Assembly, Grass 17"	1
18	A	300626	. Kit, Knife	1
19	A	224497-01	.. Cutter	1
20	A	216682	.. Nut, Lock 10-24 Hex	2
21	A	217935	.. Screw, TR 10-24 x .50 Torx	2
22	A	216595	Screw, M6 x 1.0 Hex	1
23	B	111102	Nut, Wing, M6 x 1.0	1
24	T	322344	Wrench, Stringhead	1

SPECIFICATIONS

ENGINE TYPE	Air-Cooled, Two Cycle, Single Chrome Cylinder
DISPLACEMENT	28cc (1.6 ci)
MAXIMUM HORSEPOWER	1.1 hp.
BORE & STROKE	1.37 x 1.12 inches (35 mm x 28.6 mm)
IDLE RPM	2,700 - 3,000 rpm, assembled
MAXIMUM RPM	7,000 - 8,000 rpm, assembled
COMPRESSION (PSI)	After 10 pulls, throttle full open: 80 lbs.
IGNITION	Solid State
FLYWHEEL to IGNITION GAP	0.010 to 0.015 inches (0.254 to 0.381 mm)
SPARK PLUG GAP & TYPE025 inches (.63 mm)Champion DJ8J(RDJ8J-Canada)
FUEL TANK CAPACITY	23.3 oz. (690 ml)
FUEL TYPE	Unleaded - Regular Grade
FUEL TO OIL RATIO	40:1
DRY WEIGHT	13.6 Lbs. (6.2kg)
CARBURETOR	Diaphragm/Primer Type
STARTER CORD	Nylon, Type 3.5, Length 46 in. (117cm)

SERVICE TOOLS

PART NUMBER	DESCRIPTION
215432	PRESSURE TEST TOOL
217720	TORX DRIVE SET
222785	T-25 TORX DRIVE 3.5"
111124	T-27 TORX DRIVE 3.5"

TORQUE SPECIFICATIONS

DESCRIPTION	P/N	FIG/ITEM	TORQUE VALUE (in.lbs.)	LOCTITE
CARBURETOR	111058	1/12	25-30	NO
INSULATOR TO CYLINDER	11053	1/19	45-50	242
FLYWHEEL NUT	322847	1/35	140-145	242
IGNITION ASSEMBLY	11053	1/41	45-50	242
SHROUD TO CRANKCASE	11054	1/49	55-60	242
CRANKCASE TO CYLINDER	11065	1/58	55-60	242
SPARK PLUG	62345	1/68	110-120	NO
CRANKCASE TO PLASTIC PLUG	11065	1/71	35-40	242
CLUTCH HOUSING	224919	2/16	30-35	NO
STARTER HOUSING	111054	2/20	30-35	NO

Free Manuals Download Website

<http://myh66.com>

<http://usermanuals.us>

<http://www.somanuals.com>

<http://www.4manuals.cc>

<http://www.manual-lib.com>

<http://www.404manual.com>

<http://www.luxmanual.com>

<http://aubethermostatmanual.com>

Golf course search by state

<http://golfingnear.com>

Email search by domain

<http://emailbydomain.com>

Auto manuals search

<http://auto.somanuals.com>

TV manuals search

<http://tv.somanuals.com>