

Tanaka Illustrated Parts Manual

Model Number:

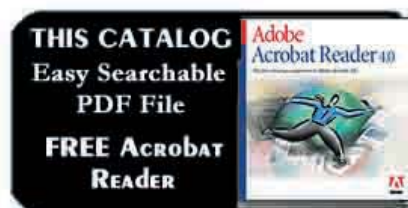
THT-2520

HEDGETRIMMER

P/N 27955

Rev 002

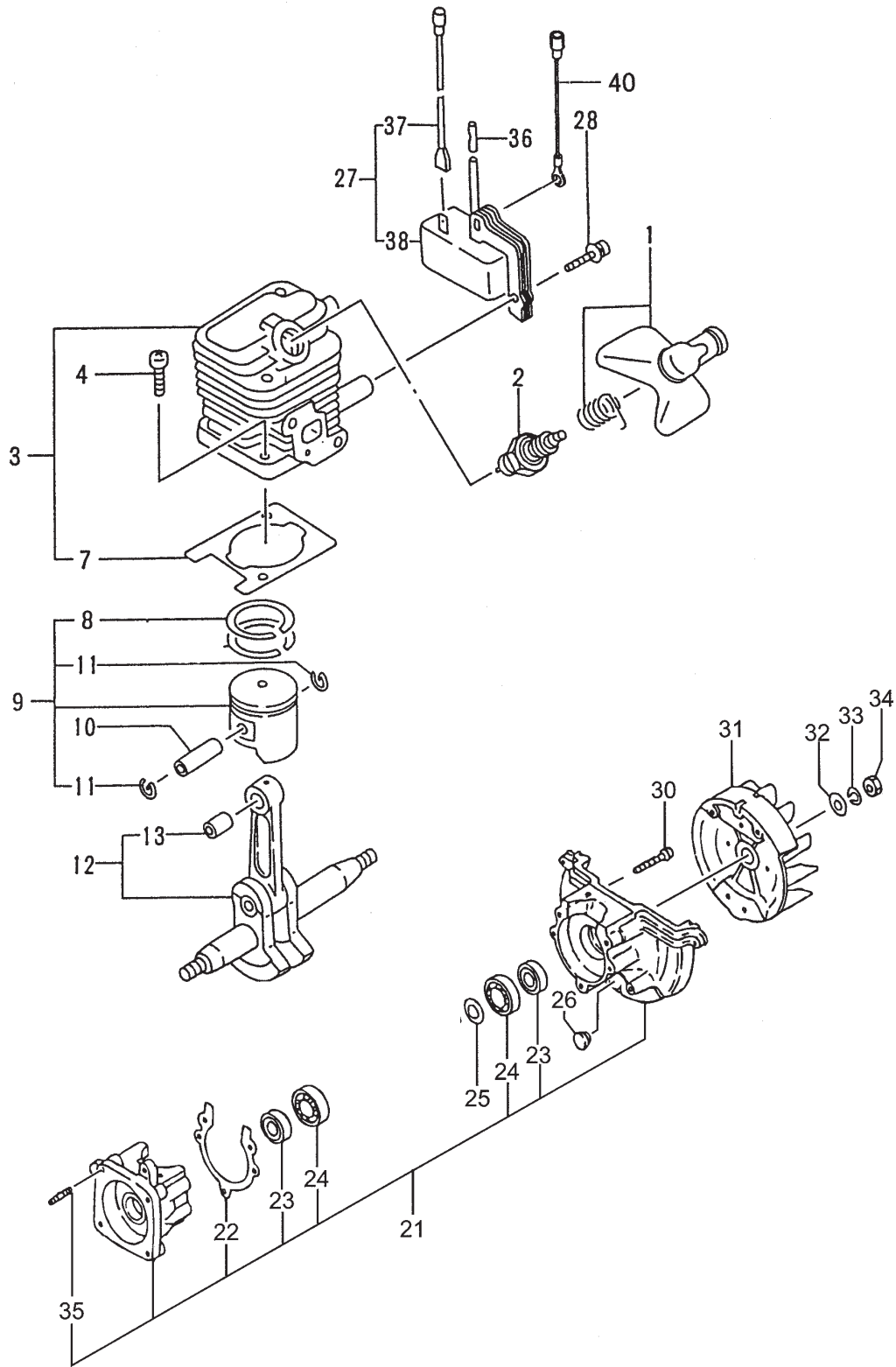
Date 11-13-07



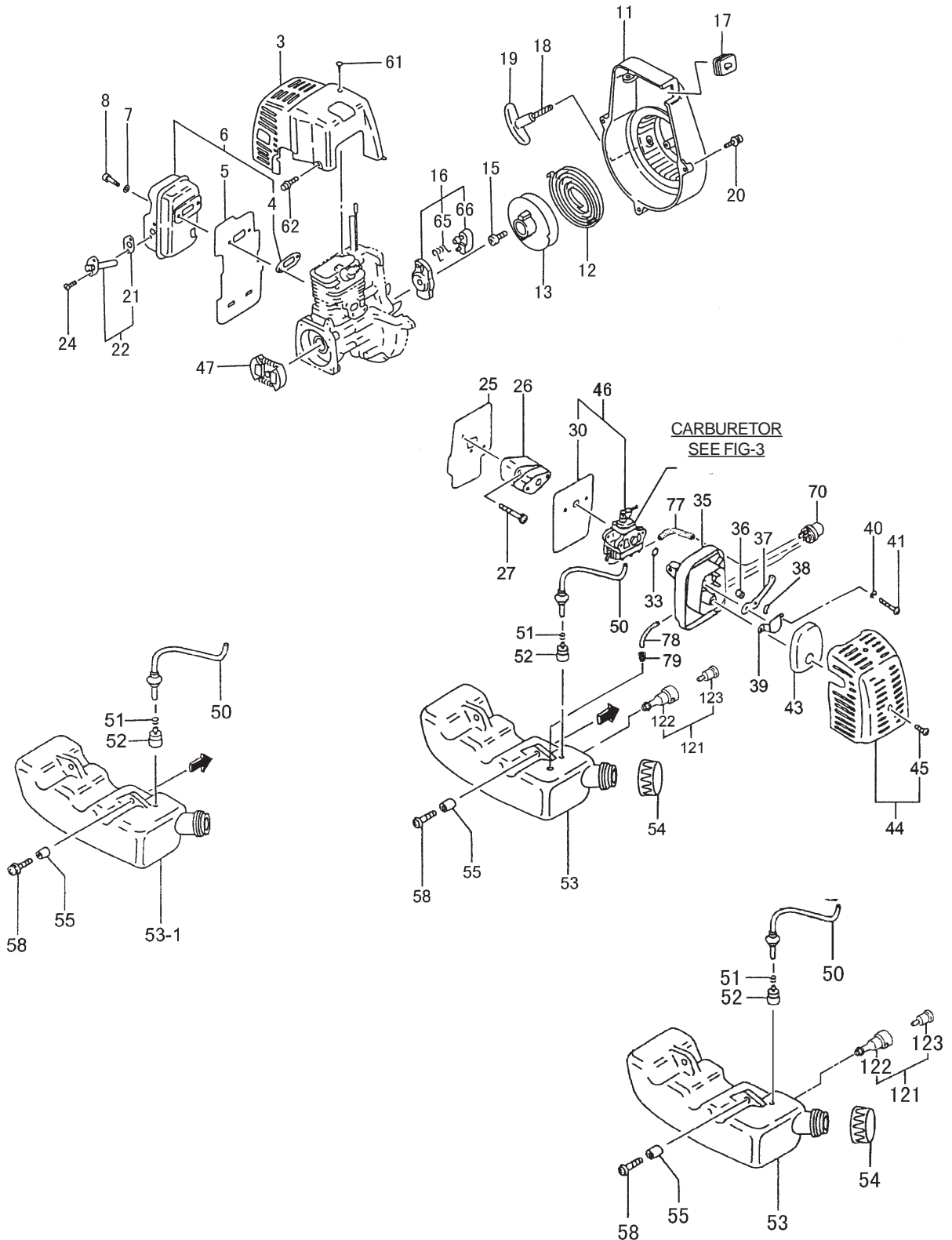
Nikko Tanaka Engineering U.S.A.,Ltd. • 1028 4th Street SW, Bldg B • Auburn, WA 98001 • Phone: (253) 333-1200 • Fax: (253) 333-1212

www.tanakapowerequipment.com

custsvc@nikko-tanaka-usa.com

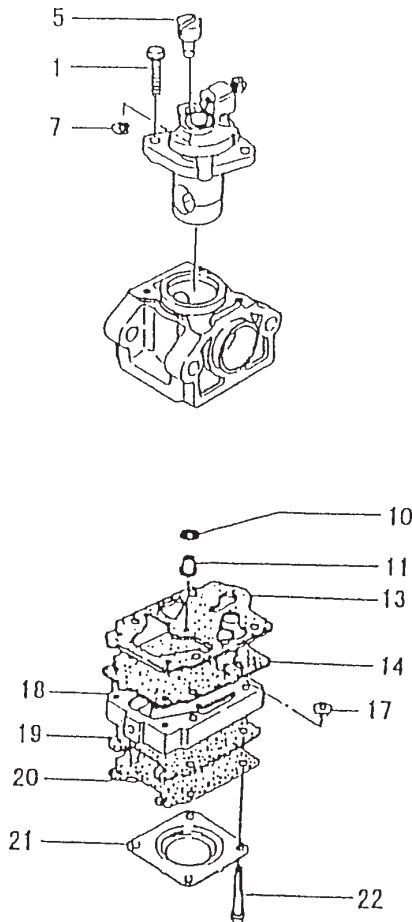


ITEM	PART NUMBER	DESCRIPTION	QTY	COMMENTS
1-1	1570650091	CAP,SPARK PLUG ASS'Y	1	
1-2	0181166021	PLUG,SPARK	1	
1-3	0010660090	SET,CYLINDER	1	Includes cylinder gasket
1-4	99416050201	SCREW,5X20/WS	2	
1-7	0170650020	GASKET, CYLINDER	1	
1-8	04101601200	RING,PISTON	2	
1-9	0300660090	SET,PISTON	1	Includes rings, and circlips
1-10	03701601200	PIN,PISTON	1	
1-11	03901620200	CIRCLIP,PISTON PIN	2	
1-12	04606500801	CRANKSHAFT	1	
1-13	99962081225	BEARING,NEEDLE,F-810	1	
1-21	0720650090	CRANKCASE ASS'Y	1	Crankcase assy includes bearings, seals and gasket.
1-22	09006500200	GASKET,CRANKCASE	1	
1-23	99966122206	SEAL,OIL,TC12227	2	
1-24	99961600100	BEARING,BALL,#6001	2	
1-25	33000200210	SHIM,12.2X19X.10	V	Shims are "as needed" to obtain correct side clearance
1-25	33000200220	SHIM,12.2X19X.15	V	
1-25	33000200230	SHIM,12.2X19X.20	V	
1-25	33000200240	SHIM,12.2X19X.30	V	
1-26	59900601200	CUSHION	1	
1-27	1672153280	COIL,IGNITION	1	
1-28	99416040226	SCREW,WS,4X22	2	
1-30	99414050301	SCREW,5X30/S	3	
1-31	1552152380	ROTOR, MAGNETO	1	
1-32	99201080011	WASHER,8	1	
1-33	99210080012	WASHER,S,8	1	
1-34	99101080011	NUT,8	1	
1-35	10002100200	BOLT,STUD,6X22	2	
1-36	25006500200	TUBE,INSULATOR	1	
1-37	1780650080	CORD,STOP COMPLETE	1	



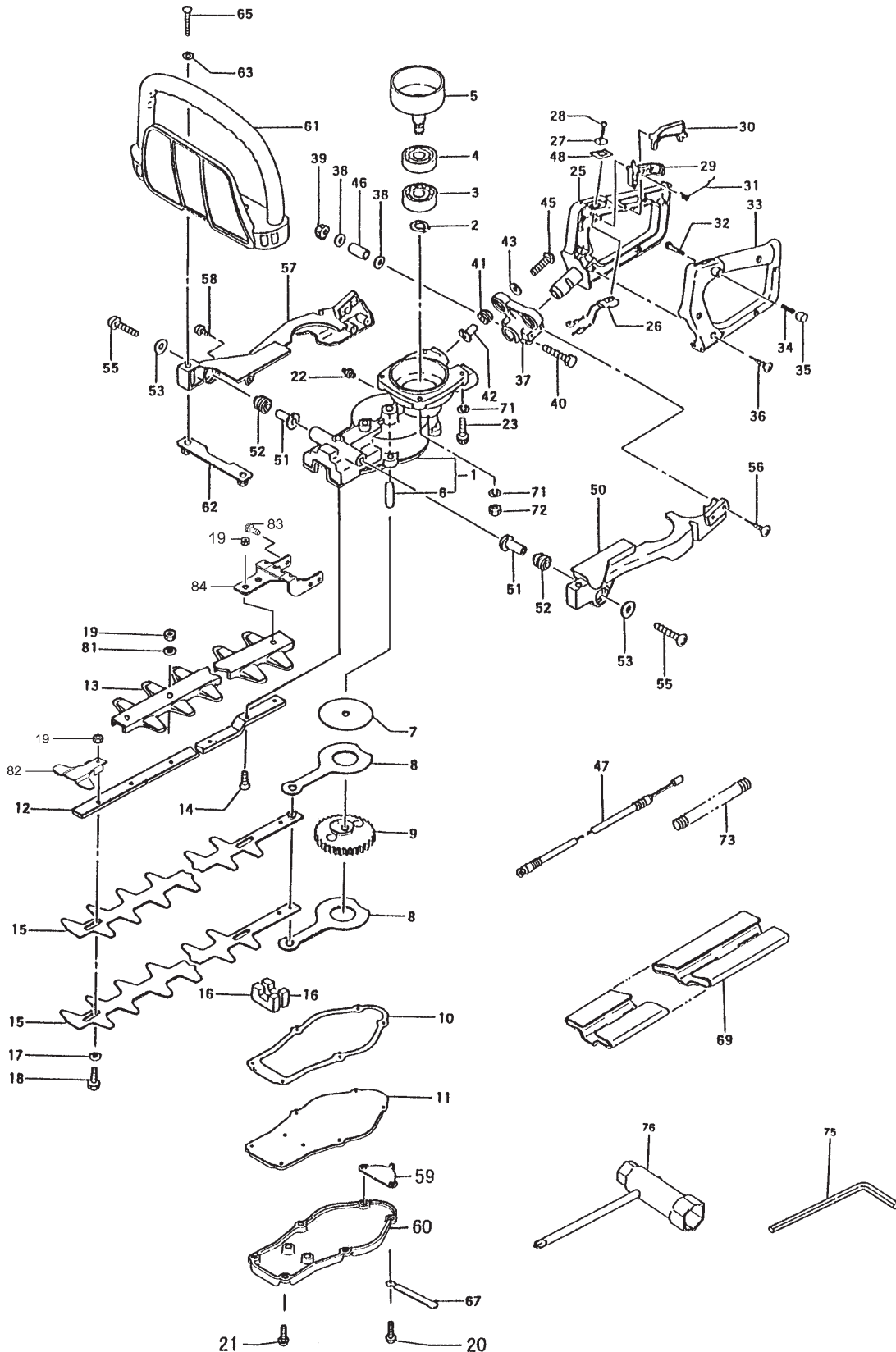
ITEM	PART NUMBER	DESCRIPTION	QTY	COMMENTS
2-3	7380660020	PROTECTOR,MUFFLER	1	
2-4	73706500200	GASKET,MUFFLER	1	
2-5	13306500200	SHIELD,HEAT	1	
2-6	7040650090	SET,MUFFLER	1	
2-7	99201050011	WASHER,5	2	
2-8	99051050503	BOLT,HEX,5X50	2	
2-11	1120650080	CASE,FAN	1	
2-12	78006097200	SPRING,RECOIL	1	
2-13	77406097200	PULLEY,STARTER	1	
2-15	8390201020	SCREW,SET	1	
2-16	79806500900	PULLEY,STARTER,ASS'Y	1	
2-17	2030604A202	GROMMET	1	
2-18	78306097200	ROPE,STARTER	1	
2-19	78506410200	HANDLE,STARTER	1	
2-20	99415040162	SCREW,PS,4X16	3	
2-21	75106500200	GASKET,MUFFLER	1	
2-22	7210661190	SET,TAIL PIPE	1	
2-24	99434040081	SCREW,4X8/S	2	
2-25	40306500200	GASKET,INTAKE	1	
2-26	4040650090	SET,CARB INSULATOR	1	
2-27	99416050252	SCREW,5X25WS	2	
2-30	40206500200	GASKET,CARBURETOR	1	
2-33	99967015000	O-RING,P15	1	
2-35	4230650081	BODY,CLEANER	1	
2-36	47006500200	COLLAR	2	
2-37	5280650T20	LEVER,CHOKE	1	
2-38	99204080030	WASHER,8	1	
2-39	47601700200	BOARD,BLOW OVER CHECK	1	
2-40	99210050012	WASHER,S,5	2	
2-41	99011050602	SCREW,5X60	2	
2-43	4460650020	ELEMENT,CLEANER	1	
2-44	4520660091	COVER W,BOLT	1	
2-45	3800637C200	BOLT,CLEANER COVER	1	
2-46	4550650090	CARBURETOR,SET	1	Before S/N U217738
2-46	4550651A90	CARBURETOR	1	S/N U217739 and after
2-47	2770634F900	CLUTCH,ASS'Y	1	

ITEM	PART NUMBER	DESCRIPTION	QTY	COMMENTS
2-50	2230650090	PIPE,FUEL,ASS'Y	1	
2-51	68000731201	CLIP 6.3	1	
2-52	6750404280	FILTER,FUEL	1	
2-53	5910650000	TANK,FUEL PIPE,ASS'Y	1	Before S/N T218760
2-53	5910661321	TANK,FUEL	1	From S/N T218761 to U217738
2-53	5910651A21	TANK,FUEL	1	S/N U217739 and after
2-54	5950650A90	TANK CAP	1	Before S/N T218760
2-54	5950656B90	CAP,FUEL BLACK,NON VENT	1	S/N T218761 and after
2-55	65900801200	COLLAR	2	
2-58	99463050185	BOLT,HEX 5X18PS	2	
2-61	99072045164	SCREW,TAPPING,4.5X16	1	
2-62	99425040128	BOLT,PS,4X12	2	
2-65	79006097200	SPRING,STARTER PAWL	1	
2-66	7880650020	PAWL,STARTER	1	
2-70	44225143800	PUMP,PRIMING ASS'Y	1	S/N U217739 and after
2-77	70002504080	PIPE,FUEL,2.5X4X80	1	S/N U217739 and after
2-78	7000250406	PIPE,FUEL,2.5X4X65	1	S/N U217739 and after
2-79	53432710200	GROMMET,FUEL PIPE	1	S/N U217739 and after
2-121	5640661190	VENT,AIR ASS'Y	1	
2-122	5650441020	PIPE,AIR VENT	1	
2-123	6460098190	AIR VENT VALVE ASSY	1	



ITEM	PART NUMBER	DESCRIPTION	QTY	COMMENTS
3-0	4550650090	CARBURETOR,SET	1	Before S/N U217738
3-0	4550651A90	CARBURETOR	1	S/N U217739 and after
3-1	54825140200	SCREW,THROTTLE SET	2	
3-5	53925120200	SWIVEL	1	* Contained in Carb Repair Kit
3-7	48925100200	RING,STOP	1	P/N 650-25124-900 (Not available individually)
3-8	48825145800	VALVE,THROTTLE	1	
3-10	55025100200	O-RING	1	
3-11	5992000W35	JET,MAIN,#35	1	Before S/N U217738
3-11	5992000W410	JET,MAIN,#41	1	S/N U217739 and after
3-13	~~	*GASKET,PUMP	1	
3-14	~~	*DIAPHRAGM,PUMP	1	
3-17	~~	*SCREEN,INLET	1	
3-18	5752518280	BODY,PUMP	1	Before S/N U217738
3-18	5752514780	BODY,PUMP ASS'Y	1	S/N U217739 and after
3-19	~~	*GASKET,DIAPHRAGM	1	Before S/N U217738
3-19	~~	*GASKET,DIAPHRAGM	1	S/N U217739 and after
3-20	~~	*DIAPHRAGM,METERING	1	
3-21	47625004200	COVER,DIAPHRAGM	1	
3-22	54825101200	SCREW,SET	4	

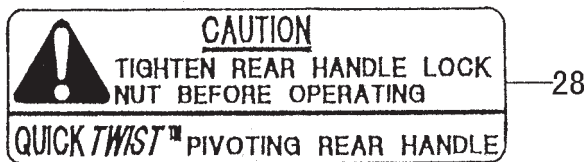
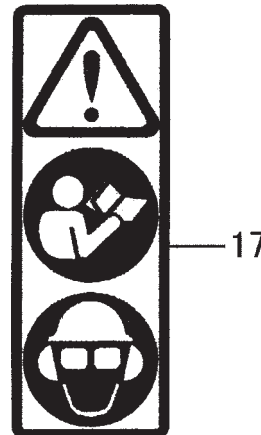
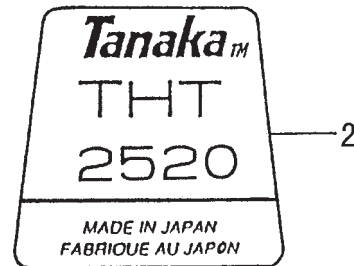
GEAR CASE, HANDLE, CUTTER BLADES • FIGURE 4



GEAR CASE, HANDLE, CUTTER BLADES • FIGURE 4

ITEM	PART NUMBER	DESCRIPTION	QTY	COMMENTS
4-1	3003316081	CASE,GEAR	1	
4-2	99350015002	RING,STOP,C-15 EX	1	
4-3	99961600200	BEARING,BALL,#6002	1	
4-4	99961600202	BEARING,BALL,#6002Z	1	
4-5	2883318080	DRUM,CLUTCH	1	
4-6	30533160200	SHAFT,GEAR	1	
4-7	07533160200	PLATE,GUIDE	1	
4-8	1013319020	ROD,CAM	2	
4-9	3073318020	GEAR,2	1	
4-10	30333160200	GASKET,GEARCASE	1	
4-11	6303316020	COVER,GEAR CASE	1	
4-12	1223319021	GUIDE,CUTTER	1	~A302050
4-12	1223319120	GUIDE,CUTTER	1	A302051~
4-13	1363319020	PLATE,PROTECTION	1	
4-14	99052060165	BOLT,HEX,6X16	2	
4-15	1203319021	BLADE,CUTTER	2	
4-16	08533160200	SEAL,GREASE A	2	
4-17	12933202201	WASHER,7	6	
4-18	1243320221	BOLT,CUTTER FIXING,A	6	~A302050
4-18	1243228720	BOLT,FIXING,A	6	A302051~
4-19	1233317A20	NUT,CUTTER FIXING	6	A302050
4-19	40927	NUT,FLANGE,M6	6	A302051~
4-20	99461040155	BOLT, HEX, 4X15	2	
4-21	99461040124	BOLT,HEX 4X12	6	
4-22	30032250801	FITTING,GREASE	1	
4-23	99051060143	BOLT,HEX,6X14	2	
4-25	05033160200	HANDLE,A	1	
4-26	17033160800	SWITCH,STOP	1	
4-27	2581165020	BUTTON,STOP	1	
4-28	99011030101	SCREW,3X10	1	
4-29	23033160200	LEVER,THROTTLE	1	
4-30	23133160200	LEVER,SAFETY	1	
4-31	23233160200	SPRING,THROTTLE LEVER	1	
4-33	05133160200	HANDLE,B	1	
4-35	7653212020	CAP	1	
4-36	99072045164	SCREW,TAPPING,4.5X16	6	
4-37	05833160200	BRACKET,HANDLE	1	
4-38	99200060011	WASHER,SMALL,6	2	
4-39	99101060011	NUT,6	1	
4-40	99021060501	BOLT,6X50	1	
4-41	26632750200	DAMPER,B	2	
4-42	27632710201	COLLAR,DAMPER B	2	
4-43	36832057200	WASHER,BRAKE SHAFT	2	
4-45	99414050301	SCREW,5X30/S	2	
4-46	2943316021	COLLAR 16	1	
4-47	88506500800	WIRE,THROTTLE	1	
4-48	92533160200	DECAL,STOP BUTTON	1	

ITEM	PART NUMBER	DESCRIPTION	QTY	COMMENTS
4-50	2493316020	BODY,CLAMP A	1	
4-51	27632710201	COLLAR,DAMPER B	2	
4-52	26632750200	DAMPER,B	2	
4-53	36832057200	WASHER,BRAKE SHAFT	2	
4-55	99414050301	SCREW,5X30/S	2	
4-56	99073045124	SCREW,TAPPING,4.5X12	4	
4-57	2503316020	BODY,CLAMP,B	1	
4-58	99073045124	SCREW,TAPPING,4.5X12	1	
4-59	2963319020	SPACER	1	
4-60	3013316020	CASE,GEAR,B	1	Before S/N V026060
4-60	3013319120	CASE,GEAR,B	2	S/N V026461 and after
4-61	2103316021	HANDLE	1	
4-62	0403316080	SUPPORT,HANDLE	1	
4-63	99201050011	WASHER,5	2	
4-65	99414050401	SCREW,5X40/S	2	
4-67	19805015800	CLAMP,CORD	1	
4-69	1383319020	COVER,CUTTER,30"	1	Before S/N V026060
4-69	1383319320	COVER,CUTTER,30"	1	S/N V026061 and after
4-71	99210060012	WASHER,S,6	2	
4-72	99440060011	NUT,SPRING 6	2	
4-73	16407007000	TUBE,PROTECTION	1	
4-75	81320000200	WRENCH,HEX,4	1	
4-76	03629331501	SPANNER,COMBI	1	
4-81	99201060011	WASHER,6	3	
4-82	1353319120	PROTECTOR,BLADE	1	S/N V230528 and after
4-83	99461040104	BOLT,HEX, 4X10	2	S/N V026061 and after
4-84	4623319120	BRACKET,SUPPORT	1	S/N V026061 and after



ITEM	PART NUMBER	DESCRIPTION	QTY	COMMENTS
6-1	95037900200	DECAL, PRO-FORCE A	1	
6-2	9060660120	NAME PLATE, THT 2520	1	
6-5	95137900200	DECAL, PRO-FORCE	1	
6-8	91106500200	DECAL, SRS	1	
6-17	9203246620	DECAL, CAUTION	1	
6-28	91933160200	DECAL	1	

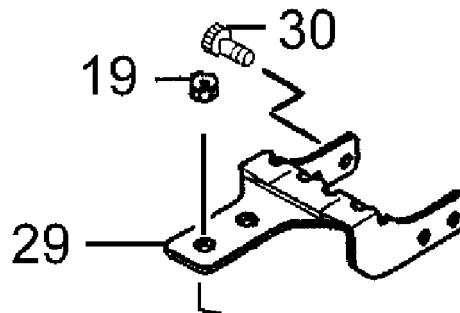
Date: June, 2000

Model & Serial: **THT-2520**
 All units after serial number **V026461**.

Reason: A guide support bracket that extends from the lower gear case casting to the blade guide has been added to eliminate breakage of the blade guide. The gear case has been changed to accommodate the mounting of the bracket.

Part Number Changes:

Old Part #	New Part #	Description	Remarks
	462-33191-20	Support Bracket	#29
	994-61040-104	Hex Bolt, 4x10	#30
992-01060-011		Washer 6	From 3 to 2 pieces



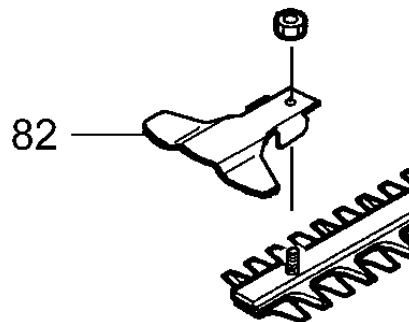
Date: December 2000

Model & Serial: **THT-2520**
 All units after serial number **V230528**

Reason: A protective guide tip has been added to allow the tip of the blades to move more easily through foliage and to protect the blades and guide bar from incidental contact.
 A different scabbard that accommodates the wider tip has also been added.

Part Number Changes:

Old Part #	New Part #	Description	Remarks
	135-33191-20	Tip Protector	#82
138-33193-20	138-33190-20	Blade Scabbard	



Date: June 2001

Model & Serial: THT-2100/THT-2120/THT-2510/THT-2520/THT-2540/HTD-2522PF/HTD-2526PF/HTD-2530PF/HTS-2530PF.

All units produced after serial number W100101.

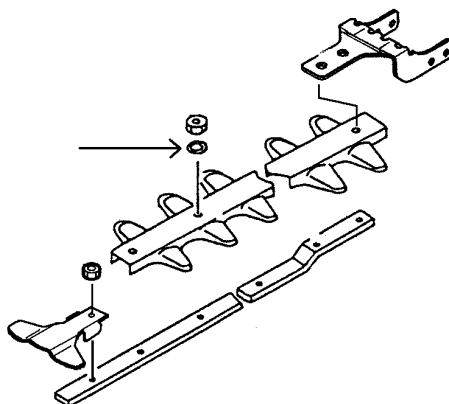
Reason: When these units are fitted with the aluminum safety shield, some experience loosening of the blade jam nuts. A flat washer has been added between the nut and the aluminum shield to help prevent the nut from becoming loose.

Models THT-2100, 2120, 2510 and HTD-2526PF, 2522PF require 3 washers.

Models THT-2520, 2540 and HTS-2530PF and HTD-2530PF require 2 washers

Part Number Changes:

Old Part #	New Part #	Description	Remarks
992-01060-011		Washer	



Date: January, 2002

Model & Serial: All THT, HTD, HTS, TPH hedgetrimmer models.

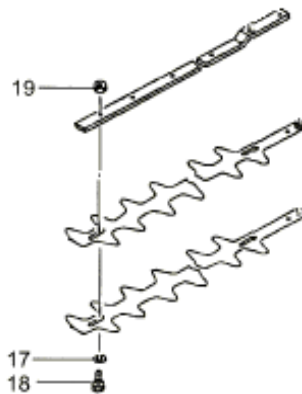
All units after serial number Y004401

Reason: All future production of hedgetrimmer models will utilize a blade-retaining nut that is of the locking variety. These nuts are oblong on one side to prevent loosening during use, but can be removed and re-installed without losing their locking ability.

When adjusting blade-fastening hardware, thread the bolt (18) through the blades and guide bar from the bottom, to a point where the flat washer (17), is still able to rotate, (usually to seat, and then backed off between ¼ and ½ revolution). Then install the lock nuts on the topside, tightening them while holding the bolt in place. Tighten all nuts, and then re-check for adjustment prior to operation. A lubricating agent, such as WD-40 should also be used to prevent sap build-up and premature wear.

Part Number Changes:

Old Part #	New Part #	Description	Remarks
123-33202-200	123-3317A-20	Lock Nut	Reference #19



Date: December 2004

Model & Serial: **TPH-210/2501/250PF270PF – A290201 and later.**
HTD-2522PF/2526PF/2530PF, HTS-2530PF/2540PF – A302051 and later.
THT-2120/2520/2540 – A302051 and later.

Reason: Configuration standardization of hardware, converting blade hardware from US Standard thread to Metric thread.

Comments: Please verify serial number on unit prior to ordering replacement blade hardware and add the support plate on older serial numbers.

Part Number Changes:

Description	Old parts #	New parts #	Comments
For TPH-210/2501/250PF/270PF			
Cutter guide 625.5L M6	122-32287-21	122-32286-21	
Cutter fixing bolt A	124-33202-21	124-32287-20	4 to 1 pc
Cutter fixing bolt B		125-32287-20	3 pcs
Flange nut M6	123-3317A-20	991-82060-001	4 pcs
For HTD-2522PF			
Cutter guide 625.5L M6	122-33160-21	122-33178-20	
Cutter fixing bolt A	124-33202-21	124-32287-20	
Flange nut M6	123-3317A-20	991-82060-001	
Protection plate 390L	136-33160-20		
Washer 6	992-01060-011		3 pcs
For THT-2120/HTD-2526PF			
Cutter guide 734L M6	122-33168-21	122-33248-20	
Cutter fixing bolt A	124-33202-21	124-32287-20	
Flange nut M6	123-3317A-20	991-82060-001	
Protection plate 390L	136-33160-20		
Washer 6	992-01060-011		3 pcs
For HTS-2530PF			
Cutter guide 830L M6	122-33187-20	122-33285-20	
Cutter fixing bolt A	124-33202-21	124-32287-20	
Flange nut M6	123-3317A-20	991-82060-001	
Protection plate 585L	136-33181-20		
Washer 6	992-01060-011	3 to 1 pc	
For THT-2520/HTD-2530PF			
Cutter guide 845.5L M6	122-33190-21	122-33191-20	
Cutter fixing bolt A	124-33202-21	124-32287-20	
Flange nut M6	123-3317A-20	991-82060-001	
protection plate 380L	136-33190-20		
Washer 6	992-01060-011		2 pcs
For THT-2540/HTS-2540PF			
Cutter guide 1105L M6	122-33185-20		
Cutter fixing bolt A	124-33202-21	124-32287-20	
Flange nut M6	123-3317A-20	991-82060-001	
Protection plate 585L	136-33181-20		
Washer 6	992-01060-011	3 to 1 pc	

Free Manuals Download Website

<http://myh66.com>

<http://usermanuals.us>

<http://www.somanuals.com>

<http://www.4manuals.cc>

<http://www.manual-lib.com>

<http://www.404manual.com>

<http://www.luxmanual.com>

<http://aubethermostatmanual.com>

Golf course search by state

<http://golfingnear.com>

Email search by domain

<http://emailbydomain.com>

Auto manuals search

<http://auto.somanuals.com>

TV manuals search

<http://tv.somanuals.com>