

**THE  
SHARPER  
IMAGE®**

# Hot+Cold Mini Fridge

SI714 Instructions

**Read and save these instructions.**



*Dear Sharper Image Customer,*

*Thank you for your purchase of a Sharper Image product. We appreciate your business very much.*

*Our goal is that you will be completely satisfied with this product's quality and performance. We offer generous return privileges and excellent warranties on all our products.*

*Since 1977, The Sharper Image has shared the fun of discovering innovative products that make life better and more enjoyable. We've been in business a long time because we are an exciting place to shop and — just as importantly — we strive to deliver outstanding customer service that exceeds your expectations.*

*Enjoy your purchase!*

*Call 1-800-344-4444 for ordering and customer service, or visit*

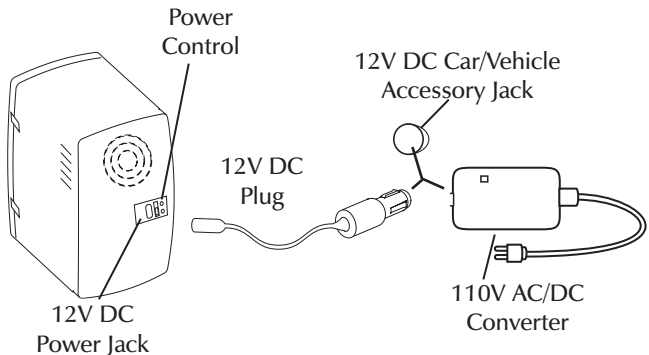
***www.sharperimage.com***, *our award-winning Website.*

Download from [Www.Somanuals.com](http://www.Somanuals.com). All Manuals Search And Download.

## Description and Power

To power the Mini Fridge from your home or office 110V wall outlet, connect the 12V DC power plug to the jack on the AC/DC power converter.

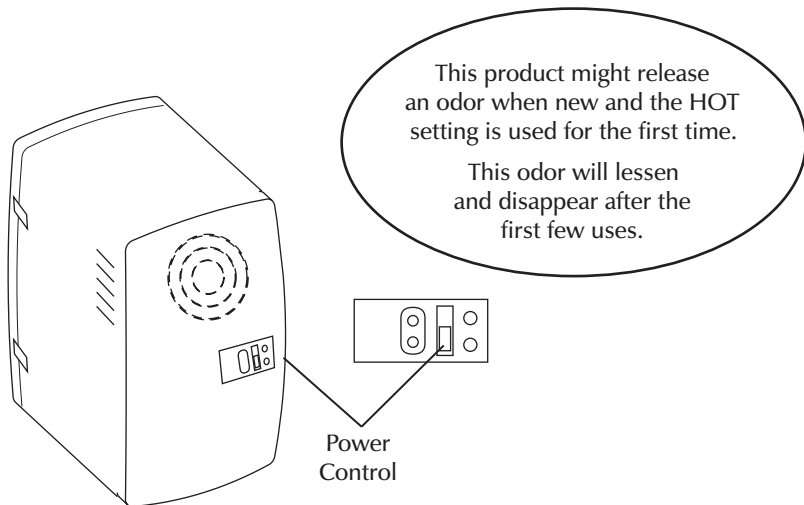
Use the DC power plug to provide power directly from a 12V vehicle accessory jack. (Do not overload car battery with multiple appliances, including items such as a cell phone or other battery chargers.)



**Note:** Do not leave the power plugged into a car accessory jack when the car engine is not running. This may deplete the car battery in some cars.

## Controls

Switch **POWER** control to desired setting. A red LED indicates the HOT setting and a green LED indicates the COLD setting. The center position turns the unit off.



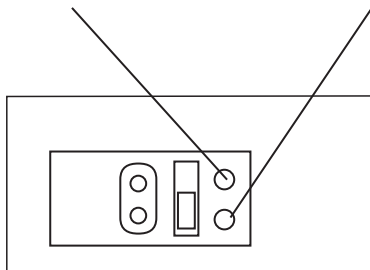
A substantial amount of heating or cooling is lost each time the door is opened. Avoid unnecessary or frequent opening of the door.

## Operation

When the unit is plugged-in and the POWER CONTROL is in either of the ON positions, the temperature selection is indicated by the corresponding LED:

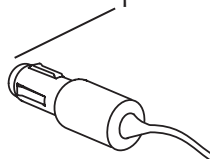
RED - HOT is selected

GREEN - COLD is selected



The 12V DC plug is protected by a fuse. If the unit fails to operate when using the DC adapter, unscrew the end cap of the adapter plug and check to see if the fuse needs to be replaced. If the fuse has blown, exchange it with a new 5 Amp fuse and replace the cap.

End Cap  
Unscrew to access  
and replace fuse.



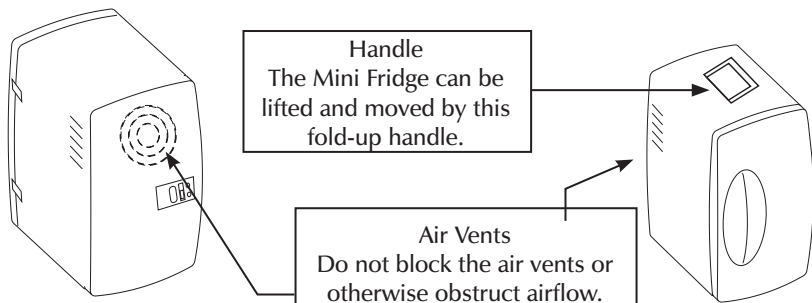
## Additional Information

The COLD setting can be used to keep cold items cold and to make room-temperature items cold within a few hours.

The HOT setting can be used to warm precooked foods or store food items that are already hot. The heat produced is not sufficient enough for raw food items that require cooking temperatures for safe preparation.

The interior shelf can be removed to allow tall items to be stored upright.

The interior and exterior of this unit can be wiped clean using a mild solution of hand dishwashing detergent.



## Condensation Warning

It is normal for this unit to produce some condensation in either the HOT or COLD setting. Do not place this product on any surface that could be damaged by water.

- When open containers are stored for several hours in the HOT operation mode, condensation may build up and leak from the edges of the door.
- When the unit is switched from COLD to HOT, or just turned off after several days of COLD operation, ice that has built up around the heating/cooling element will melt and puddle to the bottom of the unit. Some of this water may leak from the edges of the door.

### Defrosting

Periodic defrosting of this product is required to eliminate build up of ice:

Place the upright unit on a folded towel and operate on HOT for 15-30 minutes, or unplug and allow to defrost overnight. Empty the water and dry the interior with a towel. **Do not place on a surface that may be damaged by water leaking from the unit as it defrosts.**

# One-Year Warranty

## What Is Covered

This warranty covers any defects in materials or workmanship, with the exceptions stated below.

## How Long Coverage Lasts

This warranty runs for one year from the date of original purchase.

## What Is Not Covered

This warranty does not cover damage caused by misuse or use other than as intended and described in the product instruction manual, or loss or damage to batteries or removable parts.

## What The Sharper Image Will Do

The Sharper Image warrants this product against defects in materials and workmanship. When repair is not practical, The Sharper Image will have the option to replace the defective product with a fully warranted, factory-reconditioned product that is the same or has similar functionality.

## How to Obtain Service

Return the product and receipt, along with a brief explanation of the problem, to:

**T.S.I. - Returns Department**  
**2901-A West 60th Street**  
**Little Rock, AR 72209**

If you have questions please feel free to contact our customer service representatives at 1-800-344-5555 or by email at [care@web.sharperimage.com](mailto:care@web.sharperimage.com).

This warranty gives you specific legal rights, and you may have other legal rights that vary from state to state.

© 2002, 2003, 2004, 2005, 2006, 2007 Sharper Image Corporation

Sharper Image Corporation  
350 The Embarcadero, Sixth Floor  
San Francisco, CA 94105-1218

Shop online: **[www.sharperimage.com](http://www.sharperimage.com)**

Actual product may differ slightly from the product described herein.

V2 03/07



## Free Manuals Download Website

<http://myh66.com>

<http://usermanuals.us>

<http://www.somanuals.com>

<http://www.4manuals.cc>

<http://www.manual-lib.com>

<http://www.404manual.com>

<http://www.luxmanual.com>

<http://aubethermostatmanual.com>

Golf course search by state

<http://golfingnear.com>

Email search by domain

<http://emailbydomain.com>

Auto manuals search

<http://auto.somanuals.com>

TV manuals search

<http://tv.somanuals.com>