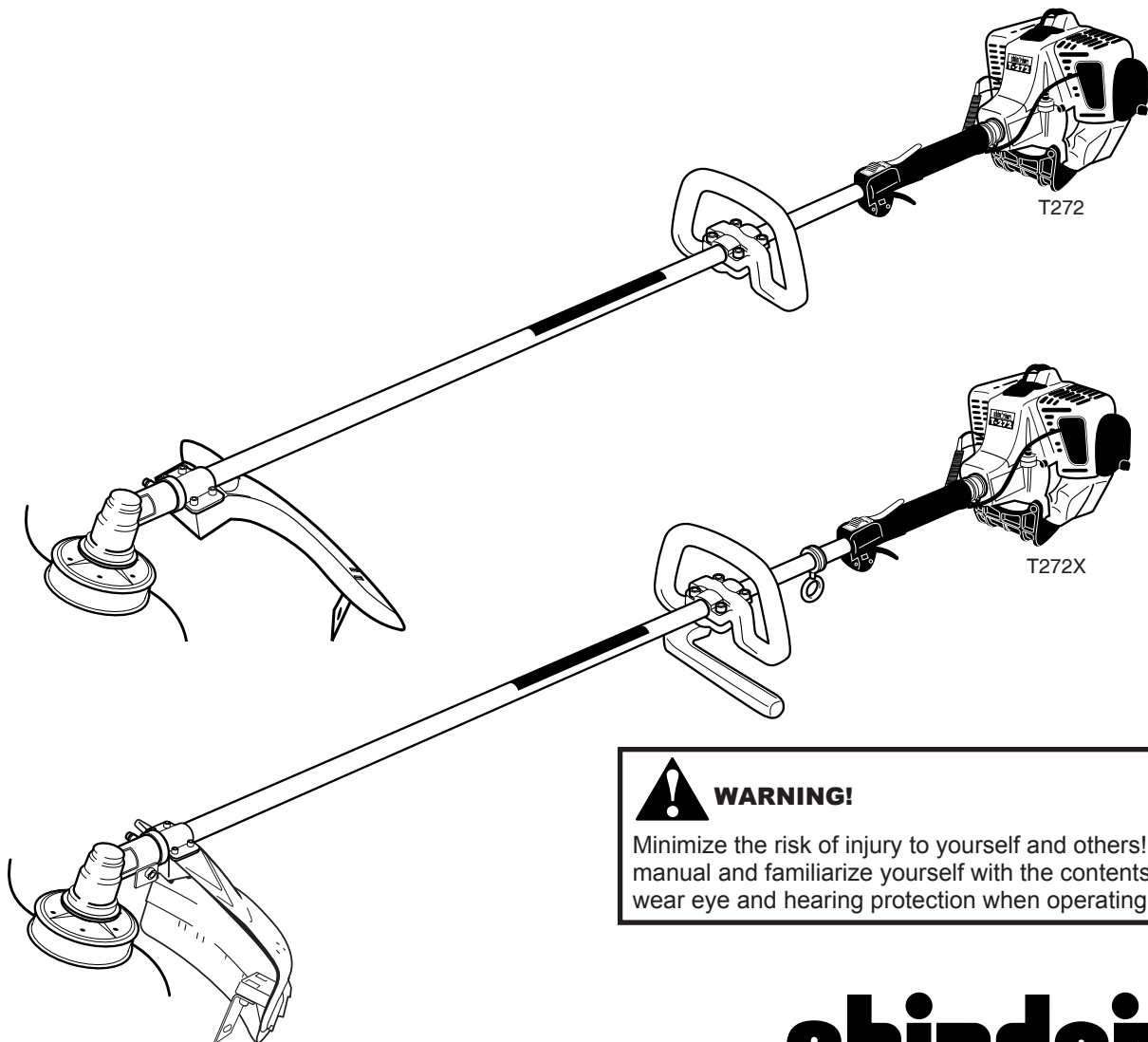


SHINDAIWA OWNER'S/OPERATOR'S MANUAL

T272 TRIMMER
T272X TRIMMER



⚠ WARNING!
Minimize the risk of injury to yourself and others! Read this manual and familiarize yourself with the contents. Always wear eye and hearing protection when operating this unit.

shindaiwa[®]

Part Number 81010 Rev 5/05

Introduction

The Shindaiwa 272 series hand-held Power Equipment has been designed and built to deliver superior performance and reliability without compromise to quality, comfort, or durability.

Shindaiwa high performance engines represent the leading edge of 2-cycle engine technology, delivering exceptionally high power from remarkably low displacement and weight. As an owner/operator, you'll soon discover for yourself why Shindaiwa is simply in a class by itself!

IMPORTANT!

The information contained in this manual describes units available at the time of publication.

While every attempt has been made to give you the very latest information about your Shindaiwa product, there may be some differences between your 272 series unit and what is described here. Shindaiwa Inc. reserves the right to make changes to products without prior notification, and without obligation to make alterations to units previously manufactured.

Contents

PAGE

Attention Statements	2
General Safety Instructions	3
Safety Labels.....	4
Product Description.....	5
Specifications.....	5
Assembly.....	6
Mixing Fuel	10
Starting the Engine.....	10
Stopping the Engine	11
Adjusting Engine Idle	11
Check Unit Condition	12
Shoulder Strap.....	12
Cutting Grass.....	12
Using a Blade (T272X)	13
Maintenance	14
Long Term Storage	16
Blade Sharpening	16
Troubleshooting Guide	17
Emission System Warranty.....	20

Attention Statements

Throughout this manual are special "Attention Statements".



WARNING!

A statement preceded by the triangular attention symbol and the word "WARNING" contains information that should be acted upon to prevent serious bodily injury.

CAUTION!

A statement preceded by the word "CAUTION" contains information that should be acted upon to prevent mechanical damage.

IMPORTANT!

A statement preceded by the word "IMPORTANT" is one that possesses special significance.

NOTE:

A statement preceded by the word "NOTE" contains information that is handy to know and may make your job easier.



Read and follow this operators manual. Failure to do so could result in serious injury.



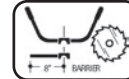
Wear eye and hearing protection at all times during the operation of this unit.



Keep bystanders at least 50 feet (15 m) away during operation.



Beware of thrown or ricocheted objects.



Do not operate this unit with a blade unless the unit is equipped with a Shindaiwa-approved handlebar or barrier.



Always wear a harness when operating this unit with a blade. A harness is also recommended when using trimmer line.



If unit is used as a brushcutter, beware of blade thrust. A jammed blade can cause the unit to jerk suddenly and may cause the operator to lose control of the unit.

IMPORTANT!

The operational procedures described in this manual are intended to help you get the most from your unit, and to protect you and others from harm. These procedures are guidelines for safe operation under most conditions, and are not intended to replace any safety rules and/or laws that may be in force in your area.

If you have questions regarding your 272 series unit, or if you do not understand something in this manual, your Shindaiwa dealer will be glad to assist you.

You may also contact Shindaiwa, Inc. at the address printed on the back of this manual.



WARNING!

The engine exhaust from this product contains chemicals known to the State of California to cause cancer, birth defects or other reproductive harm.

General Safety Instructions The Properly Equipped Operator

Work Safely

Trimmers and brushcutters operate at very high speeds and can do serious damage or injury if they are misused or abused. *Never allow a person without training or instruction to operate your unit!*



WARNING!

Never make unauthorized attachment installations. Do not use attachments not approved by Shindaiwa for use on this unit.

Stay Alert

You must be physically and mentally fit to operate this unit safely.



WARNING!

Never operate power equipment of any kind if you are tired or if you are under the influence of alcohol, drugs, medication or any other substance that could affect your ability or judgment.



WARNING! Minimize the Risk of Fire

- **NEVER** smoke or light fires near the engine.
- **ALWAYS** stop the engine and allow it to cool before refueling. Avoid overfilling and wipe off any fuel that may have spilled.
- **ALWAYS** inspect the unit for fuel leaks before each use. During each refill, check that no fuel leaks from around the fuel cap and/or fuel tank. If fuel leaks are evident, stop using the unit immediately. Fuel leaks must be repaired before using the unit.
- **ALWAYS** move the unit to a place well away from a fuel storage area or other readily flammable materials before starting the engine.
- **NEVER** place flammable material close to the engine muffler.
- **NEVER** operate the engine without the spark arrester screen in place.

Wear close-fitting clothing to protect legs and arms. Gloves offer added protection and are strongly recommended. Do not wear clothing or jewelry that could get caught in machinery or underbrush. NEVER wear shorts!

Wear hearing protection devices and a broad-brimmed hat or helmet.

Always wear eye protection such as goggles or safety glasses.

Always wear a shoulder strap or a harness when operating a unit equipped with a blade.

Always operate with both hands firmly gripping the unit.

When operating with a blade, make sure the handle is positioned to provide you with maximum protection from contacting the blade.

Keep away from the rotating trimming line or blade at all times, and never lift a moving attachment above waist-high.

Keep a proper footing and do not overreach—maintain your balance at all times during operation.

Wear appropriate footwear (non-skid boots or shoes): do not wear open-toed shoes or sandals. Never work barefooted!

Always make sure the appropriate cutting attachment shield is correctly installed.

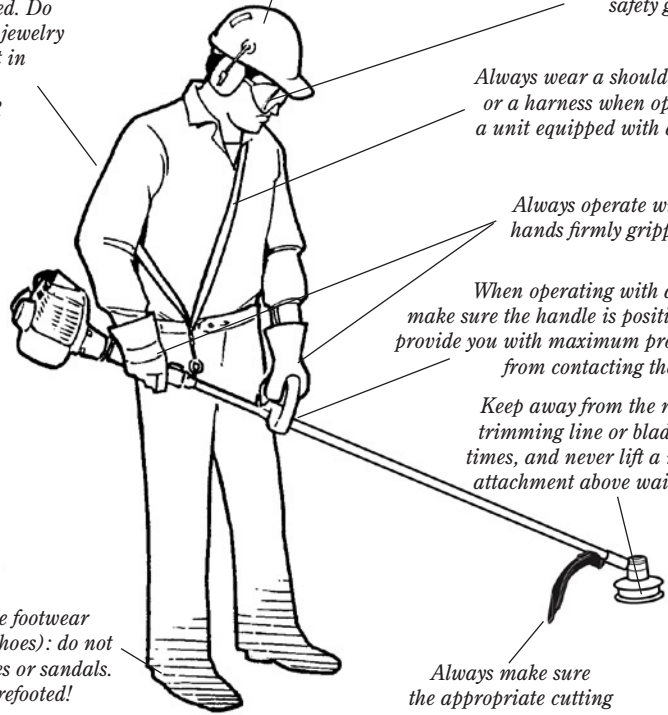


Figure 1



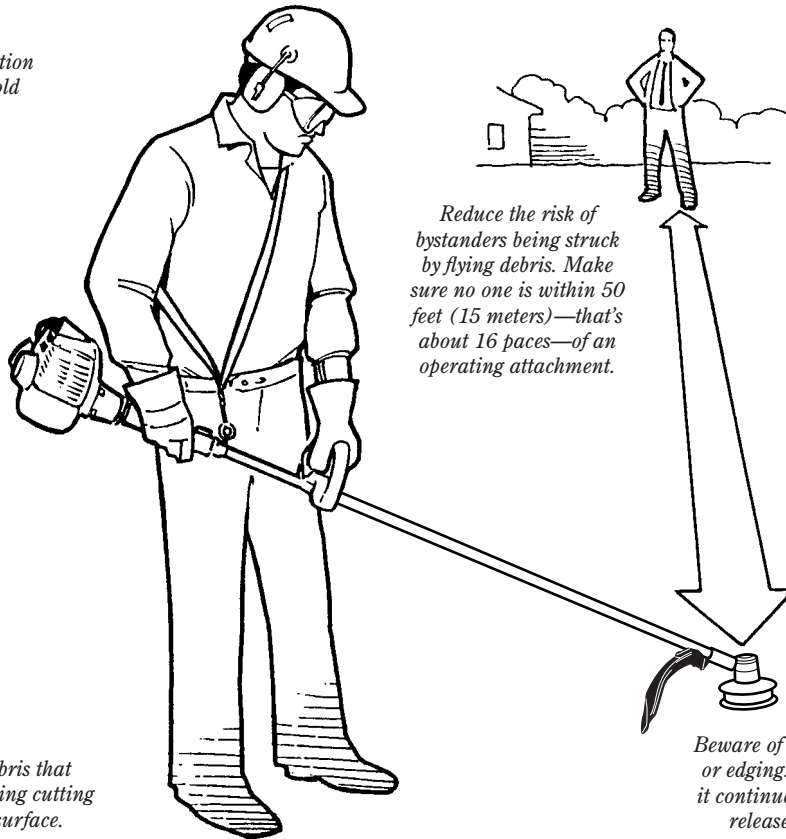
WARNING! Use Good Judgment

- **ALWAYS** wear eye protection to shield against thrown objects.
- **NEVER** operate the engine when transporting the unit.
- **NEVER** operate the engine indoors! Make sure there is always good ventilation. Fumes from engine exhaust can cause serious injury or death.
- **ALWAYS** clear your work area of trash or hidden debris that could be thrown back at you or toward a bystander.
- **ALWAYS** use the proper cutting tool for the job.
- **ALWAYS** stop the unit immediately if it suddenly begins to vibrate or shake. Inspect for broken, missing or improperly installed parts or attachments.
- **NEVER** extend trimming line beyond the length specified for your unit.
- **ALWAYS** keep the unit as clean as practical. Keep it free of loose vegetation, mud, etc.
- **ALWAYS** hold the unit firmly with both hands when cutting or trimming, and maintain control at all times.
- **ALWAYS** keep the handles clean.
- **ALWAYS** disconnect the spark plug wire before performing any maintenance work.
- **ALWAYS**, if a blade should bind fast in a cut, shut off the engine immediately. Push the branch or tree to ease the bind and free the blade.

Be Aware of the Working Environment

Avoid long-term operation in very hot or very cold weather.

Make sure bystanders or observers outside the 50-foot "danger zone" wear eye protection.



Reduce the risk of bystanders being struck by flying debris. Make sure no one is within 50 feet (15 meters)—that's about 16 paces—of an operating attachment.

Be extremely careful of slippery terrain, especially during rainy weather.

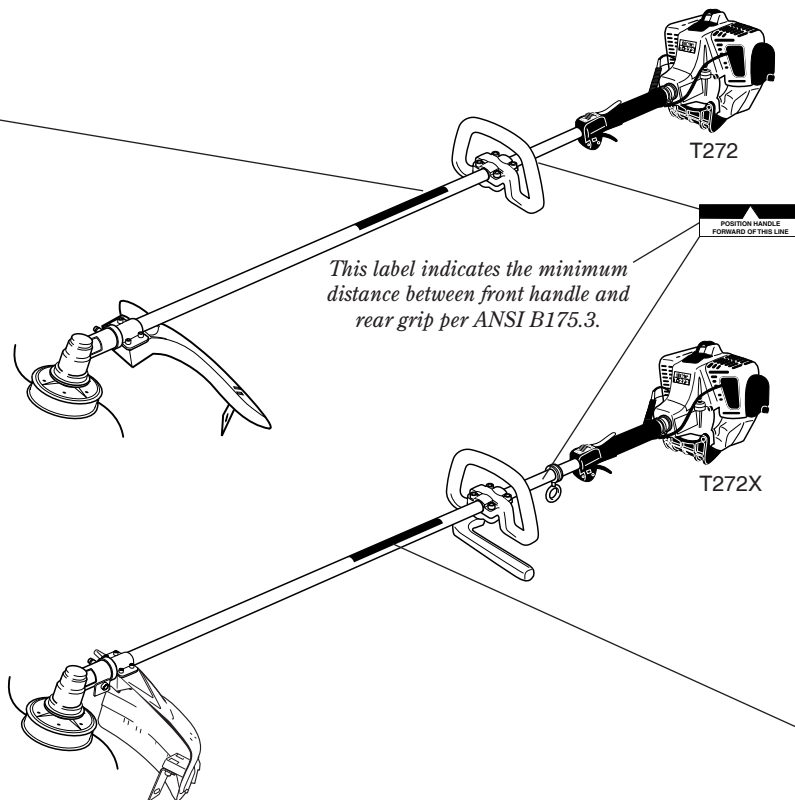
If contact is made with a hard object, stop the engine and inspect the cutting attachment for damage.

Be constantly alert for objects and debris that could be thrown either from the rotating cutting attachment or bounced from a hard surface.

When operating in rocky terrain or near electric wires or fences, use extreme caution to avoid contacting such items with the cutting attachment.

Figure 2

Safety Labels



IMPORTANT!

Safety and Operation Information Labels: Make sure all information labels are undamaged and readable. Immediately replace damaged or missing information labels. New labels are available from your local authorized Shindaiwa dealer.



Figure 3

Product Description

Using the accompanying illustrations as a guide, familiarize yourself with your unit and its various components. Understanding your unit helps ensure top performance, long service life, and safer operation.



WARNING!

Do not make unauthorized modifications or alterations to either of these units or their components.

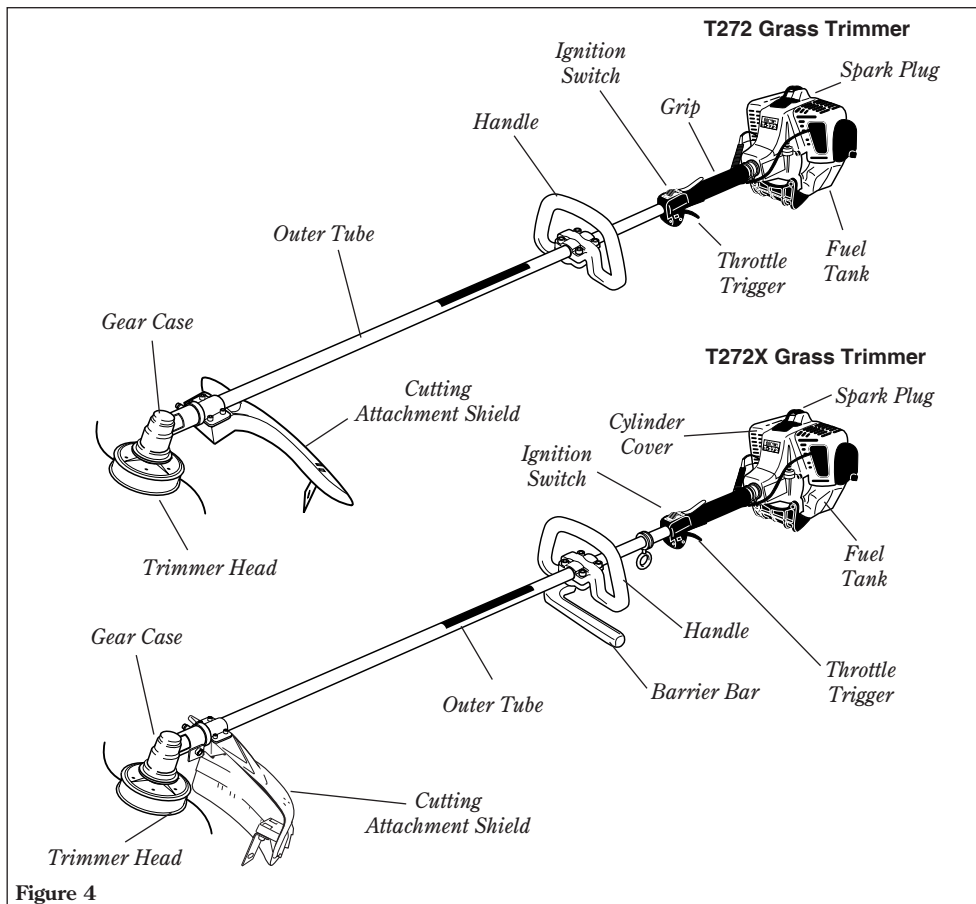


Figure 4

Specifications T272/T272X

Engine Code	S272E Engine
Dry weight, T272 (less attachment)	14.7 pounds/6.7 kg
Dry weight, T272X (less attachment)	14.8 pounds/6.7 kg
Type.....	2-cycle, vertical-cylinder, air-cooled
Bore x Stroke.....	1.3 in. x 1.2 in./34 mm x 30 mm
Displacement.....	1.7 cu. in./27.2cc
Maximum Power Output.....	1.1 kw/1.4 hp
Operating RPM Range.....	4,500-9,000 RPM (min ⁻¹)
Transmission Type	Automatic centrifugal clutch through bevel gears
Fuel/Oil Ratio.....	50:1 with ISO-LEGD or JASO FC class 2-cycle mixing oil*
Fuel Tank Capacity	670ml/22.6 ounces
Carburetion.....	Walbro diaphragm-type
Ignition	Fully electronic, transistor controlled

Spark Plug.....	Champion CJ8Y
Air Cleaner Type.....	Non-reversible heavy-duty filter element
Starting Method.....	Recoil starter
Stopping Method.....	Slide switch, grounding type
Handle (T272)	Loop handle
Handle (T272X)	Loop handle with barrier bar
EPA Emission Compliance Period**	Category A

** The EPA emission compliance referred to on the emission compliance label located on the engine, indicates the number of operating hours for which the engine has been shown to meet Federal emission requirements. Category C = 50 hours (Moderate), B = 125 hours (Intermediate) and A = 300 hours (Extended).

shindaiwa
* **ONE** meets or exceeds these specifications and is recommended for all Shindaiwa Products.

Specifications are subject to change without notice.

This unit comes fully assembled with the exception of the cutting attachment shield and cutting attachment.

Prior to Assembly

Before assembling, make sure you have all the components required for a complete unit and inspect unit and components for any damage.

■ Engine and shaft assembly.

- Cutting attachment shield.
- Cutting attachment.
- Kit containing cutting attachment shield bracket and hardware, this owner's/operator's manual and tool kit for routine maintenance. Tool kits vary by model and may include a hex wrench set, spark plug/screwdriver combination wrench and a spanner.

IMPORTANT!

The terms "left," "left-hand," and "LH": "right," "right-hand," and "RH"; "front" and "rear" refer to directions as viewed by the operator during normal operation of this product.

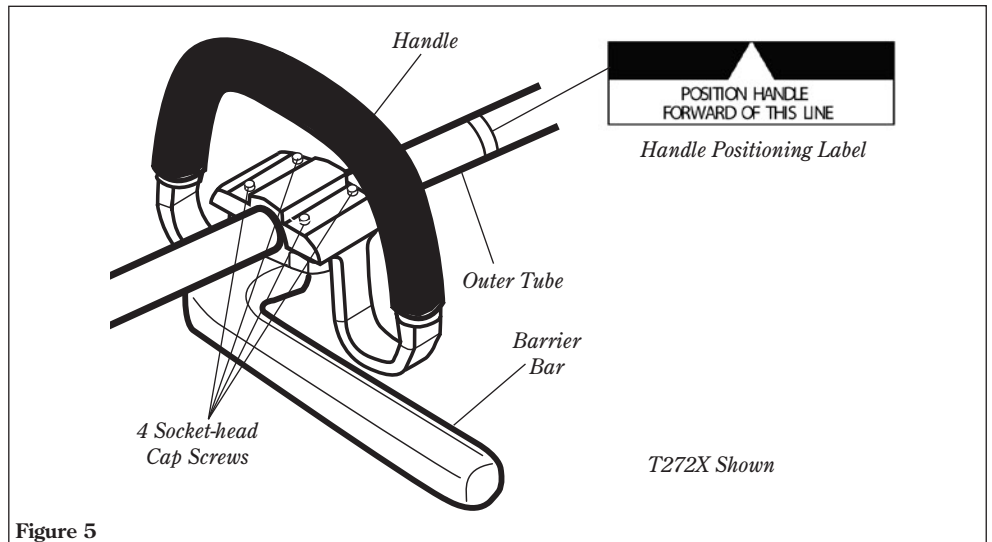
Assembly and Adjustments

Handle T272/T272X

The handle is attached to the outer tube on the T272/T272X.

To Adjust the Handle.

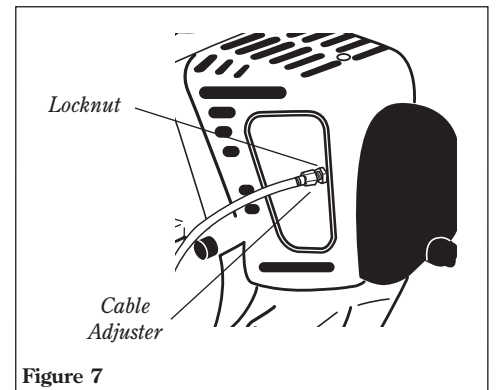
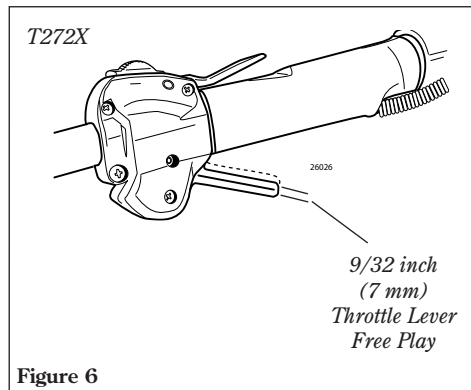
1. Loosen the 4 socket-head cap screws on the handle. See Figure 5.
2. Position the handle forward of the Handle Positioning Label at the best position for operator comfort (usually about 10 inches ahead of the throttle housing).
3. Secure the handle by alternately tightening the four socket-head cap screws in a diagonal or "crisscross" fashion.



Adjusting Throttle Level Free Play T272/T272X

The throttle lever free play should be approximately 9/32 inch (7mm). See Figure 6. Make sure that the throttle lever operates smoothly without binding. If it becomes necessary to adjust the lever free play, follow the procedures and illustrations that follow.

1. Loosen the lock nut on the cable adjuster. See Figure 7.
2. Turn the cable adjuster in or out as required to obtain proper free play of 9/32 inch (7mm). See Figure 7.
3. Tighten the locknut.



Assembly and Adjustments

Cutting Attachment Shield

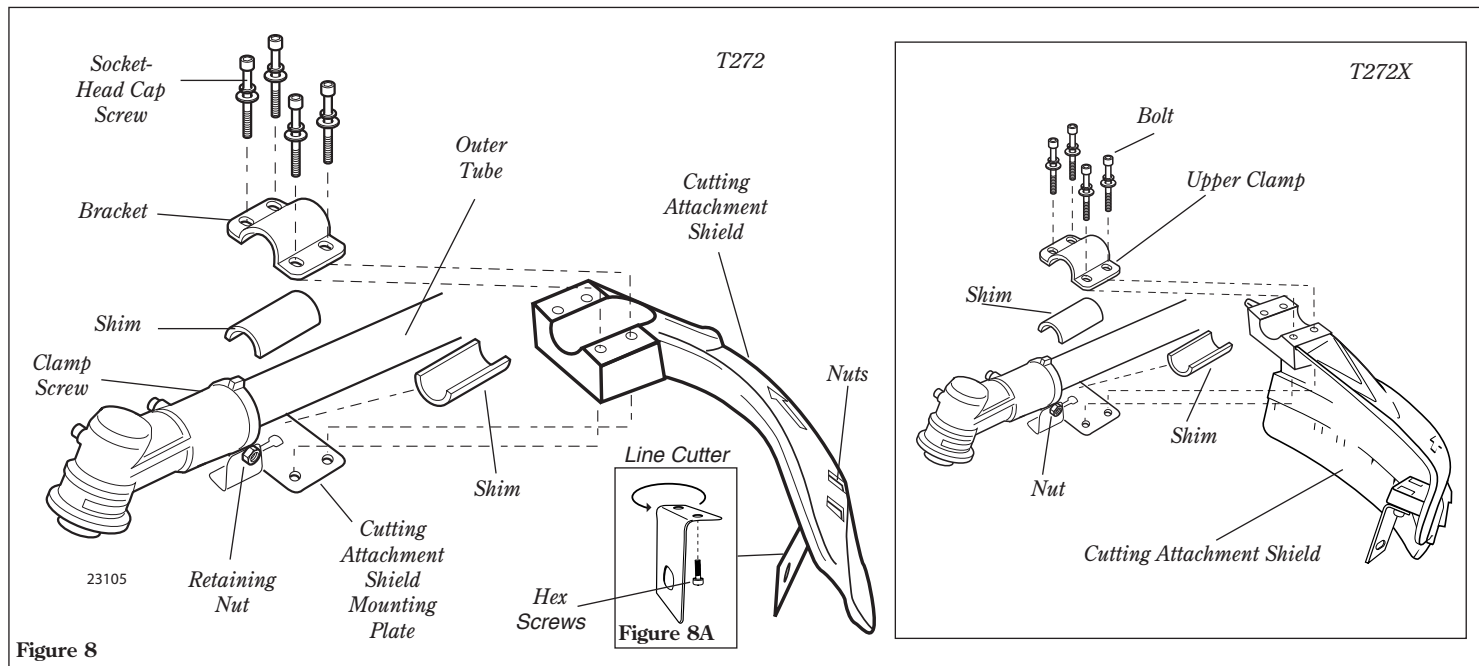


Figure 8

Install the Cutting Attachment Shield T272/T272X.

1. Insert the cutting attachment shield between the outer tube and the cutting attachment shield mounting plate. See Figure 8.

NOTE:

It may be necessary to loosen the retaining nut and clamp screw to adjust cutting attachment shield mounting plate.

2. Fit the two shims and the bracket over the outer tube and loosely install the four socket-head cap screws. See Figure 8.
3. Tighten the four socket-head cap screws to secure the cutting attachment shield.

CAUTION!

Make sure the clamp screw and retaining nut are securely tightened before tightening the four socket-head cap screws.



WARNING!

NEVER operate the unit without the cutting attachment shield installed and tightly secured!

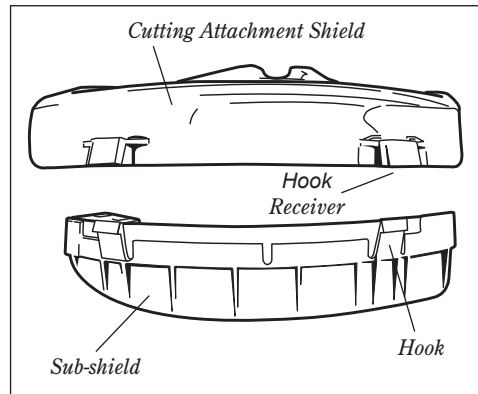
Sub-Shield T272X. (when trimmer head is in use)

1. Attach the shield extension to the cutting attachment shield.



WARNING!

NEVER use this machine without sub-shield when using a trimmer head.



CAUTION!

Make sure the sub-guard is completely hooked at the hook receiver.

To Change Position of Line Cutter.

The line cutter can be positioned in 2 positions to obtain different line length for cutting.

1. Remove the 2 hex screws with a 4mm hex wrench. See Figure 8A.
2. Rotate line cutter. See Figure 8A.
3. Reinstall the two hex screws and tighten them securely.



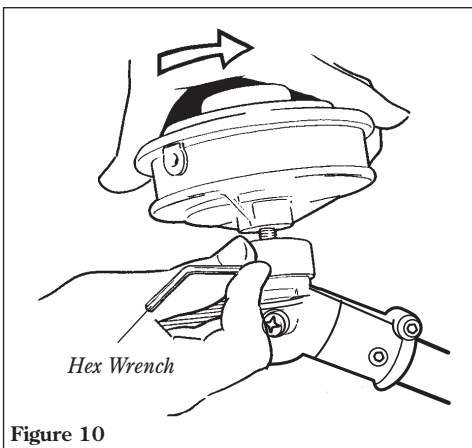
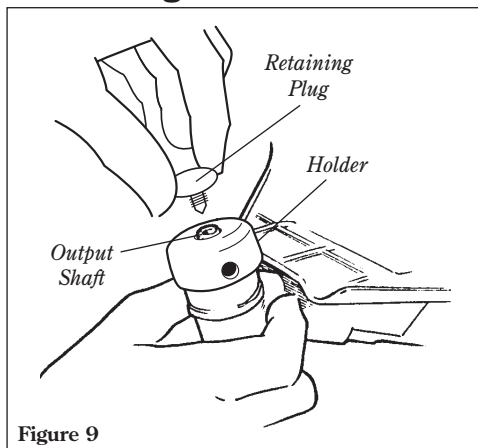
WARNING!

The line cutter is very sharp. Wear gloves to protect your hands when handling.

NOTE:

Be careful to not lose the 2 nuts in the cutting attachment shield, they are not captured.

Installing a Trimmer Head T272



Install the Trimmer Head.

1. Turn the trimmer over so that the gear case output shaft faces UP.
2. Remove and discard the black plastic protective cap from the output shaft. See Figure 9.
3. Rotate the holder until the hole in the holder aligns with the notch on the gear case. Use the long end of the hex wrench to lock the holder and output shaft. See Figure 10.

4. While holding the hex wrench, thread the trimmer head onto the output shaft, turning counter-clockwise. Using hand pressure only, tighten the trimmer head firmly on the output shaft.

IMPORTANT!

The trimmer head has a left-hand thread. For removal turn the trimmer head clockwise.

WARNING!

A standard grass trimmer with a loop handle should NEVER be operated with blade-type attachments. For blade use the trimmer must be fitted with a bicycle-type handlebar or a barrier bar that is located in front of the operator to reduce the risk of the operator coming in contact with the cutting attachment (per ANSI B175.3). When using a blade, the unit must also be equipped with a harness or strap.

5. Remove the hex wrench.
6. Adjust the trimmer line length to reach no further than the line cutter on the cutting attachment shield. Trim to the correct length if necessary.

The T272 should now be completely assembled and ready for use with a trimmer head.

Installing a Trimmer Head T272X

NOTE:

The T272X is shipped with Holder A, the blade retainer (safety clip), Holder B, shaft bolt, and bolt guard installed. The shaft bolt is a LEFT-HAND thread. Remove it by turning CLOCKWISE!

1. With the gear case output shaft facing up, rotate the gearshaft and Holder A until the hole in Holder A aligns with the matching hole in the gear case flange, and then lock the holder to the gear case by inserting the long end of the hex wrench through both holes. See Figure 11A.
2. Using the combination spark plug/screwdriver wrench, remove the shaft bolt, bolt guard, Holder B and the safety clip. (The bolt guard, shaft bolt and safety clip are not used with a trimmer head). See Figure 11A.
3. Install Holder B on the gear case shaft. The splined hole on Holder B must engage with the gear case shaft.
4. Using the hex wrench to secure Holder A, install and hand-tighten the trimmer head (counter-clockwise to install). See Figure 11B.
5. Remove the hex wrench from the gear case and holder.

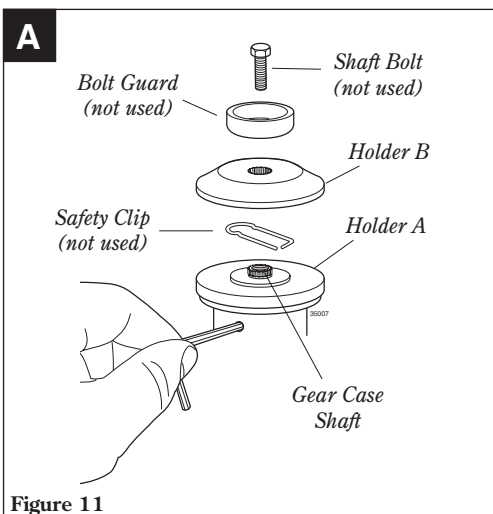
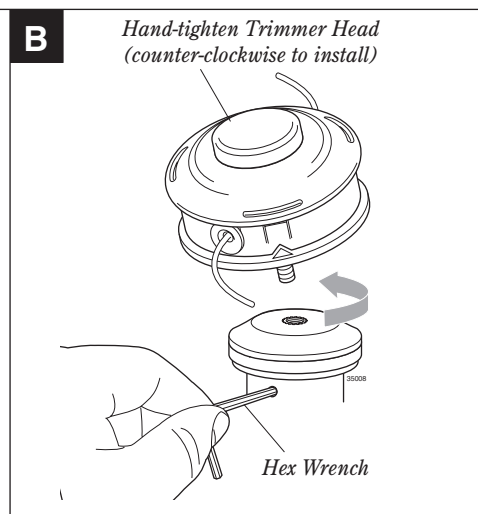


Figure 11



WARNING!

A standard grass trimmer unit with loop handle should NEVER be operated with blade-type attachments. For blade use, the trimmer must be fitted with a bicycle-type handlebar or barrier bar that is located in front of the operator to reduce the risk of the operator coming in contact with the cutting attachment. (Per ANSI B175.3). When using a blade, the unit must also be equipped with a harness or strap.

The T272X should now be completely assembled and ready for use with a trimmer head.

Assembly and Adjustments

Installing a Blade T272X

NOTE:

The T272X is shipped with Holder A, the safety clip, Holder B, shaft bolt, and bolt guard installed. The shaft bolt is a LEFT-HAND THREAD AND IS REMOVED IN A CLOCKWISE ROTATION!

1. With the gear case output shaft facing up, rotate the gearshaft and Holder A until the hole in Holder A aligns with the matching hole in the gear case flange, and then lock the holder to the gear case by inserting the long end of the hex wrench through both holes. See Figure 12.
2. Remove the shaft bolt, bolt guard and Holder B. See Figure 12.
3. Slide the safety clip off center on the gear case shaft. See Figure 12A.
4. Slide the blade over the safety clip and onto the flange on Holder A. See Figure 12B.
5. Lock the blade on the shaft by centering the safety clip. See Figure 12C.

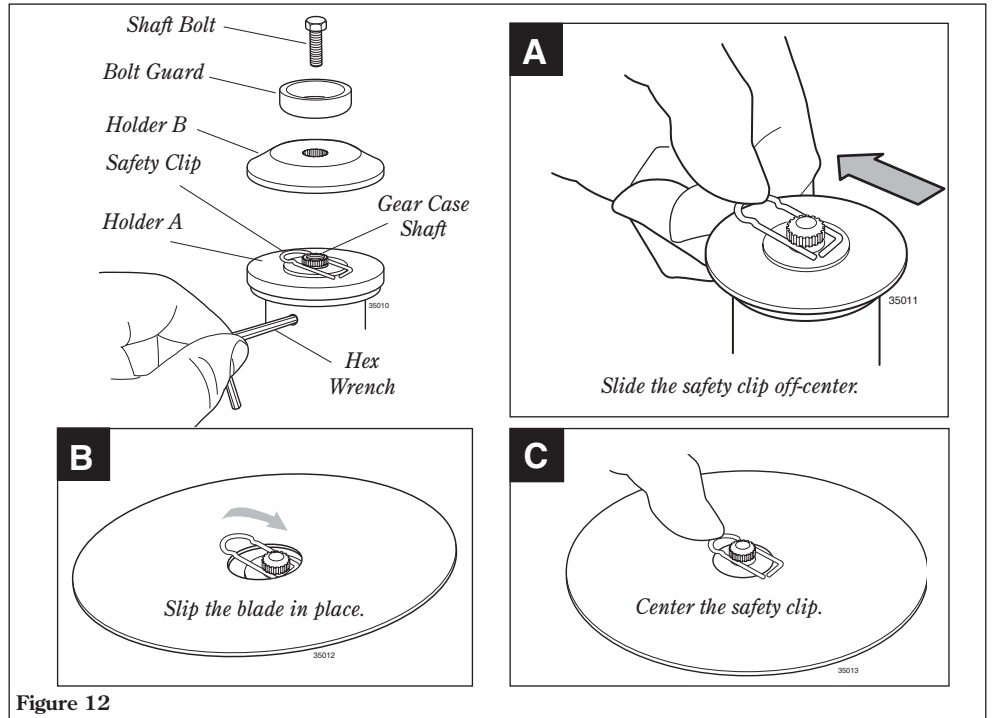


Figure 12

CAUTION!

Install the blade so its printed surface is visible to the operator when the brushcutter is in the normal operating position.



WARNING!

The blade must fit flat against the holder flange. The blade mounting hole must be centered over the raised boss on blade Holder A.

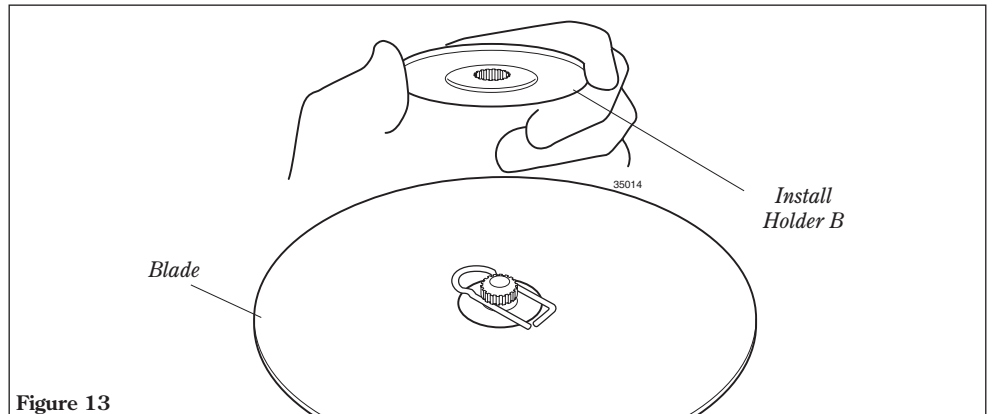


Figure 13

NOTE:

When installing certain blades, it may be necessary to temporarily remove the safety clip.

6. Install Holder B on the gear case shaft. See Figure 13.

IMPORTANT!

The machined recess in Holder B must completely surround the safety clip, and both holders must be flat against the surface of the blade.

7. Lock Holder A to the gear case by inserting the long end of the hex wrench through both holes as done in step 1 and tighten the shaft bolt securely with the combination spark plug/screwdriver wrench. See Figure 14.
8. Remove the hex wrench.

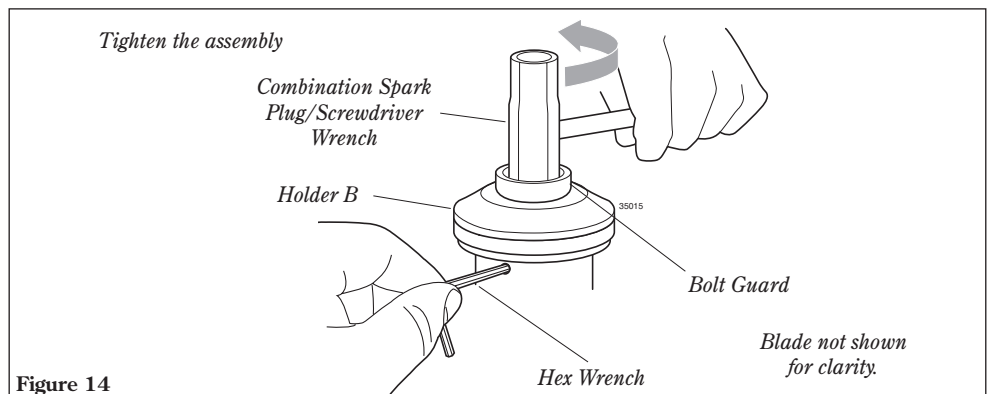


Figure 14



WARNING!

Never operate the brushcutter without the safety clip installed and both holders tightly secured and flat against the blade surface!

The T272X should now be completely assembled to operate with a blade.

Mixing Fuel

CAUTION!

- Some types of gasoline contain alcohol as an oxygenate. Oxygenated gasoline may cause increased operating temperatures. Under certain conditions, alcohol-based gasoline may also reduce the lubricating qualities of some 2-cycle mixing oils.
- Never use any type of gasoline containing more than 10% alcohol by volume! Generic oils and some outboard oils may not be intended for use in high-performance 2-cycle type engines, and should never be used in your Shindaiwa engine.

CAUTION!


This engine is designed to operate on a 50:1 mixture consisting of unleaded gasoline and ISO-L-EGD or JASO FC class 2-cycle mixing oil only. Use of non-approved mixing oils can lead to excessive carbon deposits.


- Use only fresh, clean unleaded gasoline with a pump octane of 87 or higher.
- Mixed with 50:1 Shindaiwa ISO-L-EGD or JASO FC class 2-cycle mixing oil at a gasoline/ratio of 50:1 (1 gallon of gasoline to 2.6 ozs mixing oil). Shindaiwa One meets or exceeds these requirements.

Examples of 50:1 mixing quantities

- 1 gallon of gasoline to 2.6 oz. mixing oil.
- 5 liters of gasoline to 100 ml. mixing oil.

IMPORTANT!

Mix only enough fuel for your immediate needs! If fuel must be stored longer than 30 days and  oil with fuel stabilizer is not used, it should first be treated with a fuel stabilizer such as STA-BIL™.

 Oil is a registered JASO FC classified oil and also meets or exceeds ISO-L-EGD performance requirements. Shindaiwa One is recommended for use in all Shindaiwa low emissions engines. Shindaiwa One also includes a fuel stabilizer.

Filling the Fuel Tank



WARNING! Minimize the Risk of Fire!

- **ALWAYS** stop the engine and allow it to cool before refueling. Avoid overfilling and wipe off any fuel that may have spilled.
- Wipe all spilled fuel and move the engine at least 10 feet (3 meters) from the fueling point and source before restarting!
- **NEVER** start or operate this unit if there is a fuel leak.
- **NEVER** start or operate this unit if the carburetor, fuel lines, fuel tank and/or fuel tank cap are damaged.
- **NEVER** smoke or light any fires near the engine or fuel source!
- **NEVER** place any flammable material near the engine muffler!
- **NEVER** operate the engine without the muffler and spark arrester in good working condition.

1. Place the unit on a flat, level surface.
2. Clear any dirt or other debris from around the fuel filler cap.
3. Remove the fuel cap, and fill the tank with clean, fresh fuel.
4. Reinstall the fuel filler cap and tighten firmly.

Starting the Engine

NOTE:

Engine ignition is controlled by a two-position on-off switch mounted on the throttle body. This switch is typically labeled "I" for ON and "O" for OFF.

IGNITION SWITCH ON

T272/T272X

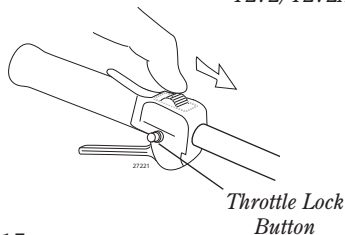


Figure 15

1. Slide the ignition switch to the "ON" position. See Figure 15.
2. Set the throttle lever to the "fast idle" position as follow:
 - a. Squeeze the throttle lever toward the handgrip on the shaft tube.
 - b. Depress and hold the throttle lock button.
 - c. While depressing the throttle lock button, release the throttle lever. See Figure 15.

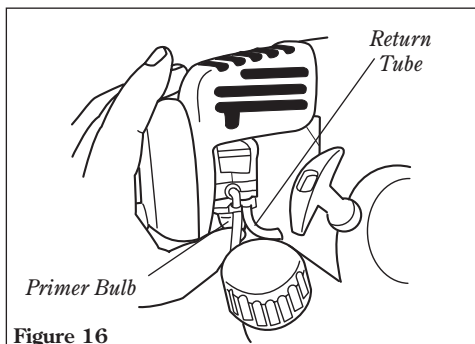


Figure 16

3. Press the primer bulb until fuel can be seen flowing in the transparent return tube. See Figure 16.

IMPORTANT!

The primer system only pushes fuel through the carburetor. Repeatedly pressing the primer bulb will not flood the engine with fuel.

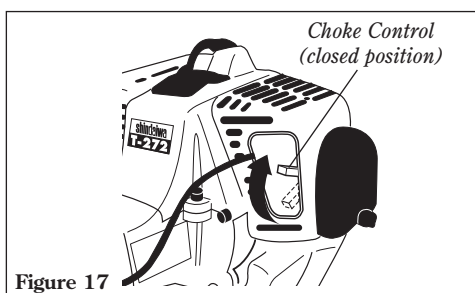


Figure 17

4. Set the choke lever to the CLOSED position if engine is cold. See Figure 17.

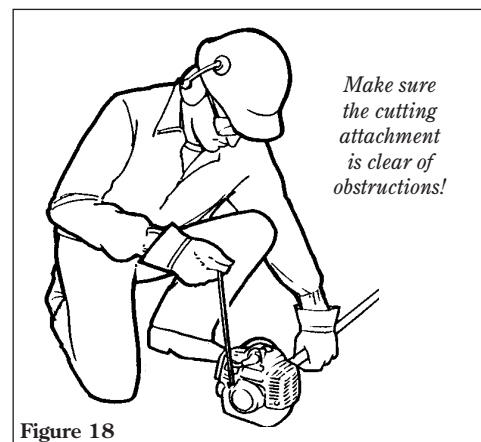


Figure 18

5. While holding the outer tube firmly with your left hand, use your right hand to pull the recoil starter handle until resistance is felt, then pull quickly to start the engine. See Figure 18.

CAUTION!

Do not pull the recoil starter to the end of the rope travel. Pulling the recoil starter to the end of the rope travel can damage the starter.

Starting the Engine (continued)



WARNING!

The cutting attachment may rotate when the engine is started!

- When the engine starts, slowly move the choke lever to the "OPEN" position. See Figure 19. (If the engine stops after the initial start, close the choke and restart.)

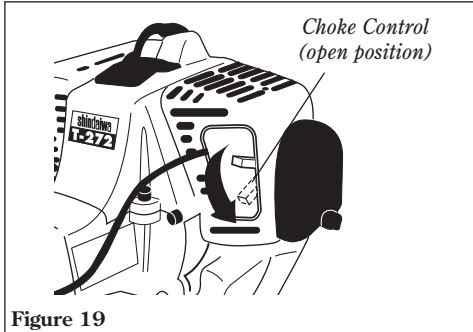


Figure 19



WARNING!

Never start the engine from the operating position.

- Operating the throttle will automatically disengage the fast idle setting.

IMPORTANT!

If the engine fails to start after several attempts with the choke in the closed position, the engine may be flooded with fuel. If flooding is suspected, move the choke lever to the open position and repeatedly pull the recoil starter to remove excess fuel and start the engine. If the engine still fails to start, refer to the troubleshooting section of this manual.

When the Engine Starts...

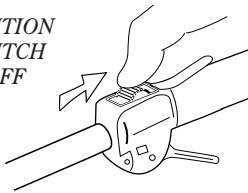
- After the engine starts, allow the engine to warm up at idle 2 or 3 minutes before operating the unit.
- After the engine is warm, pick up the unit and clip on the shoulder strap or harness if so equipped. See page 12.
- Advancing the throttle makes the cutting attachment turn faster; releasing the throttle permits the attachment to stop turning. If the cutting attachment continues to rotate when the engine returns to idle, carburetor idle speed should be adjusted (see below).

Stopping the Engine

IGNITION SWITCH OFF

T272/T272X

IGNITION SWITCH OFF



Idle the engine briefly before stopping (about 2 minutes), then slide the ignition switch to the "O" (OFF) position. See Figure 20.

Figure 20

Engine Idle Adjustment

The engine must return to idle speed whenever the throttle lever is released. Idle speed is adjustable, and must be set low enough to permit the engine clutch to disengage the cutting attachment when the throttle is released.

Idle Speed Adjustment



WARNING!

The cutting attachment must NEVER rotate at engine idle! If the idle speed cannot be adjusted by the procedure described here, have the unit inspected at an authorized Shindaiwa dealer.

- Place the unit on the ground, then start the engine and allow it to idle for 2-3 minutes until warm.

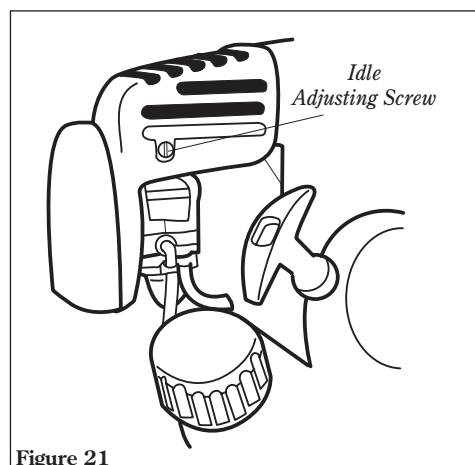


Figure 21

- If the attachment rotates when the engine is at idle, reduce the idle speed by turning the idle adjustment screw counter-clockwise. See Figure 21.
- If a tachometer is available, the engine idle speed should be final adjusted to 3,000 (± 250) RPM (min^{-1}).

NOTE:

Carburetor fuel mixture adjustments are pre-set at factory on units with emission control systems and cannot be serviced in the field.

Check Unit Condition

NEVER operate the unit with the cutting attachment shield or other protective devices (harness, ignition switch, blade retention clip, etc.) removed!



WARNING!

A cutting attachment shield or other protective device is no guarantee of protection against thrown objects. **YOU MUST ALWAYS GUARD AGAINST FLYING DEBRIS!**

Use only authorized Shindaiwa parts and accessories with your Shindaiwa trimmer or brushcutter. Do not make modifications to the unit without the written approval of Shindaiwa, Inc.

ALWAYS make sure the cutting attachment is properly installed and firmly tightened before operation.

NEVER use a cracked or warped cutting attachment: replace it with a serviceable one.

ALWAYS make sure the cutting attachment fits properly into the appropriate cutter holder. If a properly installed attachment vibrates, replace the attachment with a new one and re-check.

ALWAYS stop the engine immediately and check for damage if you strike a foreign object or if the unit becomes tangled. Do not operate with broken or damaged equipment.

NEVER allow the engine to operate at high RPM's without a load. Doing so could damage the engine.

NEVER operate a unit with worn or damaged fasteners or attachment holders.

NEVER cut with dull blades. Doing so will increase the risk of blade thrust and may also damage your equipment.

Shoulder Strap T272X

IMPORTANT!

Adjust the shoulder strap or harness so the shoulder pad rests comfortably on the off-side shoulder and the cutting path of the cutting attachment is parallel to the ground. Make sure all hooks and adjustment devices are secure.



Figure 22

Using a T272X with a Blade



WARNING!

Always wear a shoulder strap when operating this unit with a blade. A shoulder strap is also recommended when using trimmer line.

T272

NOTE:

Although a shoulder strap accessory is not required for use with a grass trimmer, a shoulder strap can increase operator comfort during extended periods of operation.

NOTE:

Using a shoulder strap when operating this unit with a blade allows you to maintain proper control of the unit and reduces fatigue during extended operation.

Cutting Grass—Units Equipped with a Trimmer Head

Your Shindaiwa T272 or T272X Grass Trimmer may be equipped with one of several Shindaiwa trimmer head models, each with features for specific applications and/or operational requirements.

NOTE:

For proper operation, always refer to the instructions accompanying the trimmer head being used. Available trimmer head styles include:

- **Semi-automatic.** Trimmer line is indexed when the operator taps the trimmer head on the ground during operation.
- **Manual.** The operator indexes line manually while the grass trimmer is stopped.
- **Fixed.** The operator must stop the unit and add new lengths of trimmer line manually.
- **Flail.** This device, designed for clearing weeds and light brush, features three nylon blades attached to the head by pivots.

NOTE:

Additional hardware may be required to mount the Fixed Line or the Flail type trimmer heads.

CAUTION!

Do not push the rotating line into trees, wire fences or any material that could tangle or break line ends.

Engine Operating Speeds

Operate the unit at full throttle while cutting grass.

CAUTION!

Operation of trimmer without a line cutter and using excessive line length can lead to premature clutch failure.



WARNING!

Operation at low RPM (min^{-1}) can lead to premature clutch failure.

Trimming and Mowing Grass

Hold the grass trimmer so the trimmer head is angled slightly into the area to be cut. To ensure maximum trimmer-line service life, cut only with the tip of the trimmer

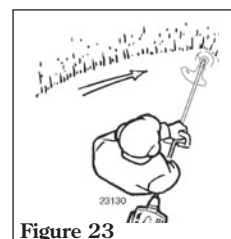


Figure 23

line. Cut grass by swinging the unit's trimmer head from left to right. Keep the trimmer head horizontal. See Figure 23.

Edging

Tilt the handle about 100° to the right (from horizontal) and move forward, holding the trimmer vertical as shown in Figure 24.



Figure 24

Using A Brushcutter Blade T272X

WARNING!

- Before working with a blade-equipped unit, always inspect and clean the area of objects that could interfere with or damage the blade.
- **NEVER** use a blade near sidewalks, fence posts, buildings or other objects that could cause injury or damage.
- **NEVER** use a blade for purposes other than those for which it was designed.
- Whenever you strike a hard object with a blade, always stop the brushcutter and carefully inspect the blade for damage. **NEVER OPERATE THE UNIT WITH A DAMAGED BLADE!**
- A blade-equipped unit must be equipped with a bicycle-type handlebar or barrier bar as well as a harness or shoulder strap.
- **ALWAYS** make sure the cutting attachment shield is properly installed before operating this unit.

Blade Thrust

'Blade thrust' is a sudden sideways or backward motion of the brushcutter. Such motion may occur when the blade jams or catches on an object such as a sapling tree or tree stump. **BE CONSTANTLY ALERT FOR BLADE THRUST AND GUARD AGAINST ITS EFFECTS!**

Brushcutter Handlebar

A brushcutter's handlebar helps prevent the operator from moving forward or the unit moving rearward; thus preventing inadvertent bodily contact with the blade. **ALWAYS KEEP THE HANDLEBAR SECURELY IN PLACE ON THE UNIT!**

Shoulder Strap

A shoulder strap provides additional protection against blade thrust. Plus, a shoulder strap gives significant support and comfort to help ensure safe and efficient operation. When operating a blade equipped trimmer, make sure the shoulder strap is adjusted properly to the operator using the unit.

Engine Operating Speeds

Operate the unit at full throttle while cutting. Best fuel efficiency is obtained by releasing the throttle when swinging back after a cut.

- To prevent possible engine damage, do not allow the brushcutter to operate at high speeds without a load.
- Avoid cutting at low engine speeds. Doing so can lead to rapid clutch wear. In addition, slow-speed operation tends to cause grass and debris to wrap around the cutting attachment.

Using A Brushcutter Blade T272X

The blade rotates counter-clockwise. For best performance and to minimize being stuck by debris, move the blade from right to left while advancing on your work. Position the blade so cuts are made between the blade's 8 o'clock and 10 o'clock positions (as viewed from above). **DO NOT** cut between the 10 o'clock and 5 o'clock positions. See Figure 25.

WARNING!

- When cutting wood with a blade, feed the blade slowly. *Never strike or "slam" the spinning blade against the wood.*
- **DO NOT** use 2-tooth or non-Shindaiwa approved 4-tooth cutting blades with Shindaiwa trimmers and brushcutters.

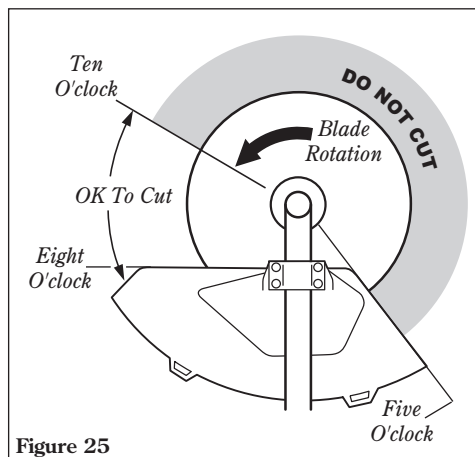


Figure 25

Vertical Cuts

Hold the trimmer with the blade at a 90° angle to the ground so the blade's bottom edge rotates toward the operator. Move the blade from top to bottom through the cut, and cut *only* with the bottom edge of the blade. See Figure 26.

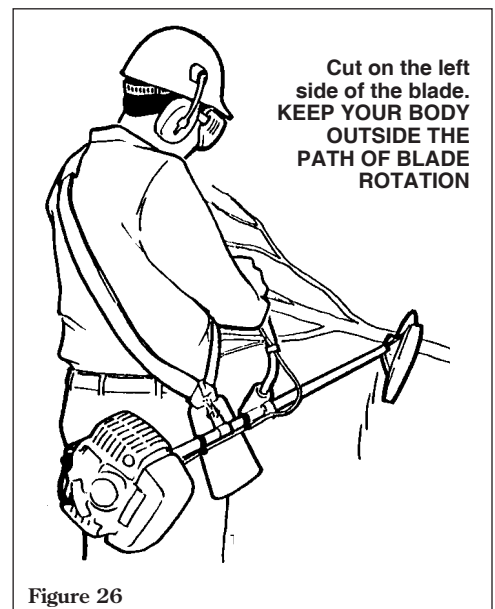


Figure 26

WARNING!

When making vertical cuts, never allow the blade to exceed waist height.

General Maintenance

IMPORTANT!

MAINTENANCE, REPLACEMENT OR REPAIR OF EMISSION CONTROL DEVICES AND SYSTEMS MAY BE PERFORMED BY ANY REPAIR ESTABLISHMENT OR INDIVIDUAL; HOWEVER, WARRANTY REPAIRS MUST BE PERFORMED BY A DEALER OR SERVICE CENTER AUTHORIZED BY SHINDAIWA KOGYO CO., LTD. THE USE OF PARTS THAT ARE NOT EQUIVALENT IN PERFORMANCE AND DURABILITY TO AUTHORIZED PARTS MAY IMPAIR THE EFFECTIVENESS OF THE EMISSION CONTROL SYSTEM AND MAY HAVE A BEARING ON THE OUTCOME OF A WARRANTY CLAIM.

WARNING!

Before performing any maintenance, repair or cleaning work on the unit, make sure the engine and cutting attachment are completely stopped. Disconnect the spark plug wire before performing service or maintenance work.

WARNING!

Non-standard parts may not operate properly with your unit and may cause damage and lead to personal injury.

NOTE:

Using non-standard replacement parts could invalidate your Shindaiwa warranty.

Muffler

This unit must never be operated with a faulty or missing spark arrester or muffler. Make sure the muffler is well secured and in good condition. A worn or damaged muffler is a fire hazard and may also cause hearing loss.

Spark Plug

Keep the spark plug and wire connections tight and clean.

Fasteners

Make sure nuts, bolts, and screws (except carburetor adjusting screws) are tight.

Blades

Keep blades sharp and check blade condition frequently. If a blade's performance changes suddenly, stop the engine and check the blade for cracks or other damage. Replace a damaged blade IMMEDIATELY!

WARNING!

- Never repair a damaged blade by welding, straightening, or by modifying its shape. An altered blade may break during operation, resulting in serious personal injury.
- DO NOT use 2-tooth or non-Shindaiwa approved 4-tooth cutting blades on Shindaiwa trimmers or brushcutters.
- Blades are **not** interchangeable between Shindaiwa edgers and trimmer/brushcutter models. Operating any unit with a blade or attachment not approved for that unit can be hazardous and may cause serious injury.

Daily Maintenance

Prior to each work day, perform the following:

- Check for loose or missing screws or components. Make sure the tool and cutting attachment are securely fastened.
- Check the entire unit for leaking fuel or grease.
- Remove dirt or debris from the engine, check the cooling fins and air cleaner for clogging and clean them as necessary.
- Carefully remove any accumulation of dirt or debris from the muffler or the fuel tank. Dirt build-up in these areas could cause engine overheating, induce premature wear, or create a fire hazard.

10-Hour Maintenance

Every 10 hours of operation (more frequently in dusty or dirty conditions):

- Remove the air cleaner element. See Figure 27. Clean or replace as necessary. To clean element: Wash it thoroughly in soap and water. Let it dry before reinstalling the element.

CAUTION!

Do not operate the unit if the air cleaner or element is damaged, or if the element is wet.

Remove and clean or replace the element.

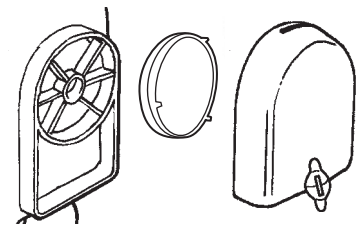


Figure 27

10/15-Hour Maintenance

Every 10 to 15 hours of operation:

- Remove and clean the spark plug. Adjust the spark plug electrode gap to 0.024-inch (0.6 mm). If the spark plug must be replaced, use only a Champion CJ8Y or equivalent spark plug of the correct heat range. (For electro-magnetic compliance [EMC] use an NGK BMR6A resistor plug.) See Figure 28.

CAUTION!

Before removing the spark plug, clean the area around the plug to prevent dirt and debris from getting into the internal engine parts.

0.024"
(0.6mm)

Clean the spark plug and check the gap at the electrode.

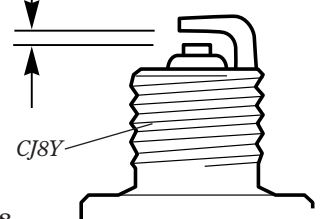
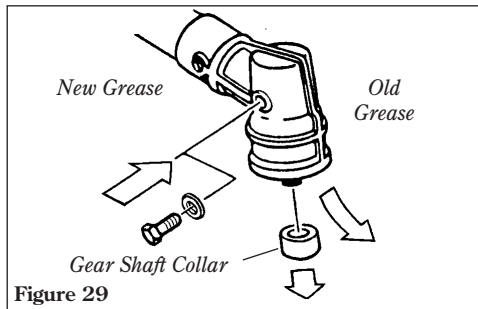


Figure 28

50-Hour Maintenance

Every 50 hours of operation
(more frequently in dusty or dirty conditions):

- Remove and clean the cylinder cover and clean grass and dirt from the cylinder fins.
- Remove the cutting attachment, cutting attachment holder and gear shaft collar. Remove the filler plug from the side of the gear case and press new grease into the gear case until the old grease is pushed out. Use only lithium-base grease such as Shindaiwa Gear Case Lubricant or equivalent. See Figure 29.

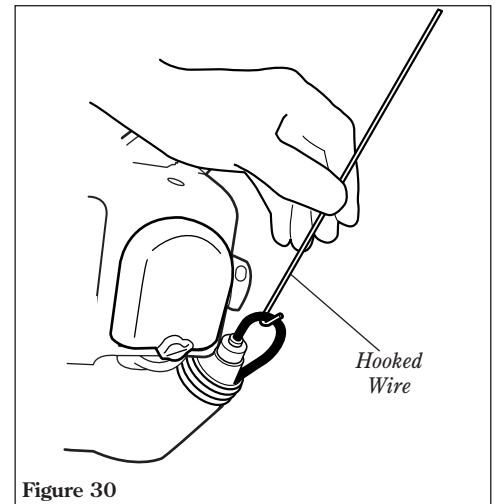


- Lubricate main shaft splines.
- Use a hooked wire to extract the fuel filter from inside the fuel tank. See Figure 30.

CAUTION!

Make sure you do not pierce the fuel line with the end of the hooked wire. The line is delicate and can be damaged easily.

- Remove and replace the filter element. Before reinstalling the filter, inspect the condition of the fuel line. If damage or deterioration are noted, the unit should be removed from service until it can be inspected by a Shindaiwa-trained service technician.



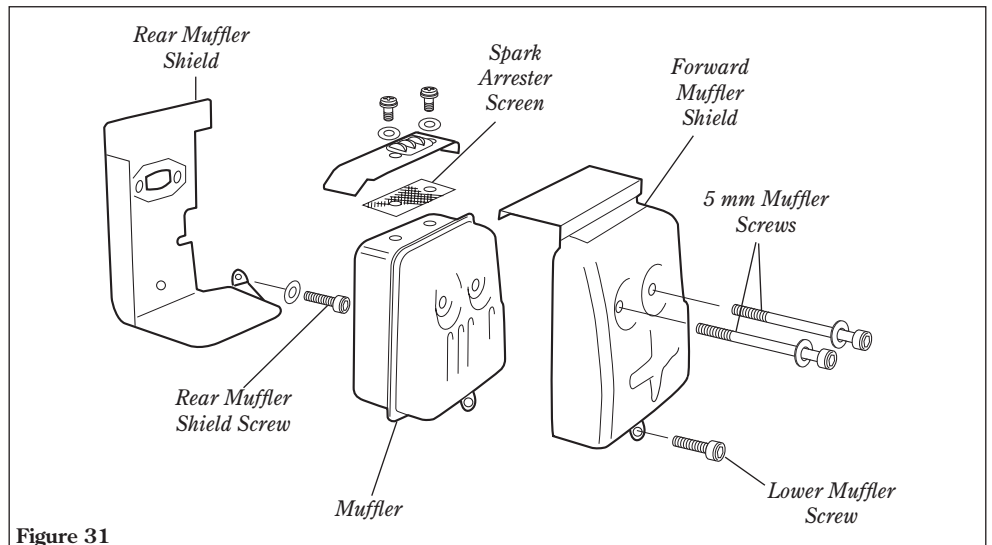
135-Hour Maintenance

Every 135 hours of operation, remove and clean the muffler.

WARNING!

Never operate this unit with a damaged or missing muffler or spark arrester! Operating with missing or damaged exhaust components is a fire hazard and could also damage your hearing.

1. Remove the spark plug boot.
2. Remove the four 4 mm engine cover screws (two in the back and two in the front of the cover) and lift the cover from the engine.
3. Remove the two 5 mm muffler screws. Remove the lower muffler screw, then lift the muffler assembly from the engine.
4. Separate the muffler from the forward muffler shield, while observing the orientation of the components. See Figure 31.



5. Remove the spark arrester screen and clean with a stiff bristle brush.
6. Gently tap the muffler on a wood surface to dislodge any loose carbon.
7. Inspect the cylinder exhaust port for carbon buildup.

IMPORTANT!

If you note excessive carbon buildup, consult with an authorized servicing dealer.

8. Reassemble the muffler in the reverse order of disassembly.

Long Term Storage

Whenever the unit will not be used for 30 days or longer, use the following procedures to prepare it for storage:

- Clean external parts thoroughly.
- Drain all the fuel from the fuel tank.

IMPORTANT!

All stored fuels should be stabilized with a fuel stabilizer such as STA-BIL™, if **ONE** oil with fuel stabilizer is not used.

To remove the remaining fuel from the fuel lines and carburetor and with the fuel drained from the fuel tank.

1. Prime the primer bulb until no more fuel is passing through.
2. Start and run the engine until it stops running.
3. Repeat steps 1 and 2 until the engine will no longer start.

CAUTION!

Gasoline stored in the carburetor for extended periods can cause hard starting and could also lead to increased service and maintenance costs.

- Remove the spark plug and pour about 1/4 ounce of 2-cycle mixing oil into the cylinder through the spark plug hole. Slowly pull the recoil starter 2 or 3 times so oil will evenly coat the interior of the engine. Reinstall the spark plug.
- Before storing the unit, repair or replace any worn or damaged parts.
- Remove the air cleaner element from the carburetor and clean it thoroughly with soap and water. Let dry before reinstalling the element.
- Store the unit in a clean, dust-free area.

Blade Sharpening

When the blade's cutting edges become slightly dull, they can be resharpened with a few strokes of a file.

In order to keep the blade in balance, all cutting edges must be sharpened equally.

Shindaiwa Tornado™ Blade

To sharpen the cutters on a Shindaiwa Tornado Blade, use a 7/32-inch round file. File the leading edge of each tooth to a razor edge. The top plate of each tooth should angle back 30°.



WARNING!

Sharpen the cutting teeth only. DO NOT alter the contour of the blade in any way.

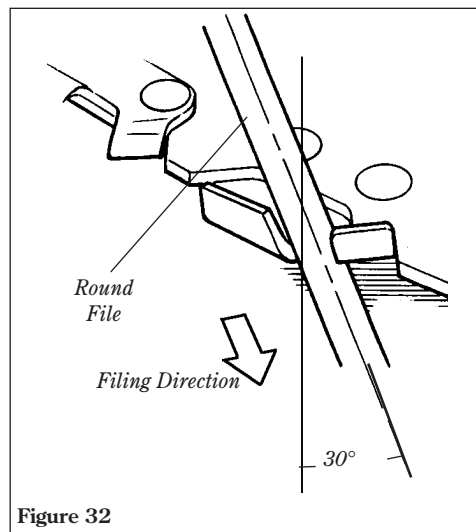


Figure 32

Multiple-tooth Circular Blade

Use a round file to maintain a radius of 0.04 to 0.06" (1 to 1.5 mm) at the base of each tooth. Cutting edges must be offset equally on each side.

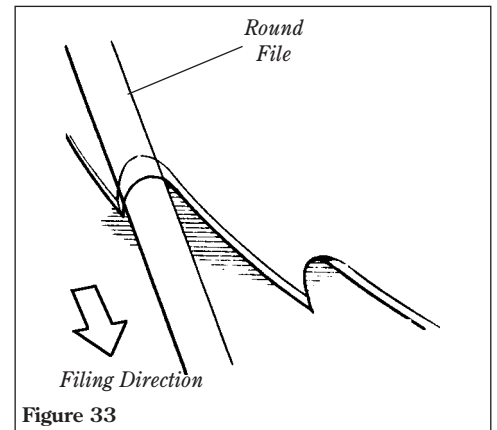


Figure 33

Troubleshooting Guide

ENGINE DOES NOT START

What To Check	Possible Cause	Remedy
Does the engine crank?	NO → Faulty recoil starter. Fluid in the crankcase. Internal damage.	Consult with an authorized servicing dealer.
YES ↓		
Good compression?	NO → Loose spark plug. Excess wear on cylinder, piston, rings.	Tighten and re-test. Consult with an authorized servicing dealer.
YES ↓		
Does the tank contain fresh fuel of the proper grade?	NO → Fuel incorrect, stale, or contaminated; mixture incorrect.	Refill with fresh, clean unleaded gasoline with a pump octane of 87 or higher mixed with 2-cycle air cooled mixing oil that meets or exceeds ISO-L-EGD and/or JASO FC classified oils at a 50:1 gasoline/oil ratio.
YES ↓		
Is fuel visible and moving in the return line when priming?	NO → Check for clogged fuel filter and/or vent.	Clean as required; restart.
YES ↓		
Is there spark at the spark plug wire terminal?	NO → The ignition switch is in "O" (OFF) position. Shorted ignition ground. Faulty ignition unit.	Move switch to "I" (ON) position and re-start. Consult with an authorized servicing dealer.
YES ↓		
Check the spark plug.	If the plug is wet, excess fuel may be in the cylinder.	Crank the engine with the plug removed, reinstall the spark plug, and re-start.
	The plug is fouled or improperly gapped.	Clean and re-gap the spark plug to 0.024 inch (0.6 mm). Re-start.
	The plug is damaged internally or of the wrong size.	Replace the spark plug with a Champion CJ8Y or equivalent spark plug of the correct heat range. Adjust the spark plug electrode gap to 0.024-inch (0.6 mm).

Troubleshooting Guide (continued)

LOW POWER OUTPUT

What To Check	Possible Cause	Remedy
Is the engine overheating?	Operator is overworking the unit.	Shorten trimmer line. Cut at a slower rate.
	Carburetor mixture is too lean.	Consult with an authorized servicing dealer.
	Improper fuel ratio.	Refill with fresh, clean unleaded gasoline with a pump octane of 87 or higher mixed with 2-cycle air cooled mixing oil that meets or exceeds ISO-L-EGD and/or JASO FC classified oils at a 50:1 gasoline/oil ratio.
	Fan, fan cover, cylinder fins dirty or damaged.	Clean, repair or replace as necessary.
	Carbon deposits on the piston or in the muffler.	Consult with an authorized servicing dealer.
Engine is rough at all speeds. May also have black smoke and/or unburned fuel at the exhaust.	Clogged air cleaner element.	Service the air cleaner.
	Loose or damaged spark plug.	Tighten or replace. Replace the spark plug with a Champion CJ8Y or equivalent spark plug of the correct heat range. Adjust the spark plug electrode gap to 0.024-inch (0.6 mm).
	Air leakage or clogged fuel line.	Repair or replace fuel filter and/or fuel line.
	Water in the fuel.	Refill with fresh, clean unleaded gasoline with a pump octane of 87 or higher mixed with 2-cycle air cooled mixing oil that meets or exceeds ISO-L-EGD and/or JASO FC classified oils at a 50:1 gasoline/oil ratio.
	Piston seizure.	Consult with an authorized servicing dealer.
	Faulty carburetor and/or diaphragm.	Consult with an authorized servicing dealer.
Engine is knocking.	Overheating condition.	See above.
	Improper fuel.	Check fuel octane rating; check for presence of alcohol in the fuel (pg. 10). Refuel as necessary.
	Carbon deposits in the combustion chamber.	Consult with an authorized servicing dealer.

Troubleshooting Guide (continued)

ADDITIONAL PROBLEMS

Symptom	Possible Cause	Remedy
Poor acceleration.	Clogged air cleaner element.	Clean the air cleaner element.
	Clogged fuel filter.	Replace the fuel filter.
	Carburetor mixture too lean.	Consult with an authorized servicing dealer.
	Idle speed set too low.	Adjust: 3,000 (± 250) rpm (min^{-1}).
Engine stops abruptly.	Switch turned off.	Reset the switch and re-start.
	Fuel tank empty.	Refuel.
	Clogged fuel filter.	Replace filter.
	Water in the fuel.	Refill with fresh, clean unleaded gasoline with a pump octane of 87 or higher mixed with 2-cycle air cooled mixing oil that meets or exceeds ISO-L-EGD and/or JASO FC classified oils at a 50:1 gasoline/oil ratio.
	Shorted spark plug or loose terminal.	Clean and replace spark plug, tighten the terminal.
	Ignition failure.	Consult with an authorized servicing dealer.
Piston seizure.	Consult with an authorized servicing dealer.	
Engine difficult to shut off.	Ground (stop) wire is disconnected, or switch is defective.	Test and replace as required.
	Overheating due to incorrect spark plug.	Replace the spark plug with a Champion CJ8Y or equivalent spark plug of the correct heat range. Adjust the spark plug electrode gap to 0.024-inch (0.6 mm).
	Overheated engine.	Idle engine until cool.
Cutting attachment moves at engine idle.	Engine idle too high.	Set idle: 3,000 (± 250) rpm (min^{-1}).
	Broken clutch spring or worn clutch spring boss.	Replace spring/shoes as required, check idle speed.
Excessive vibration.	Warped or damaged cutting attachment.	Inspect and replace as necessary.
	Loose coupler.	Tighten coupler securely.
	Bent main shaft/worn or damaged bushings.	Inspect and replace as necessary.

Emission System Warranty Statement

Your Warranty Rights and Obligations

The California Air Resources Board, the U.S. Environmental Protection Agency and Shindaiwa Kogyo Co., Ltd. are pleased to explain the emission control system warranty on your new small off-road (non-road) engine.

In California, new small off-road engines must be designed, built, and equipped to meet the State's stringent anti-smog standards. In other states, new 1997 and later non-road engines must meet the Federal EPA's stringent anti-smog standards. Shindaiwa Kogyo Co., Ltd. must warrant the emission control system on your small off-road engine for the periods of time listed below, provided there has been no abuse, neglect, or improper maintenance of your small off-road engine.

Your engine emission control system includes parts such as the carburetor, the ignition system and, if equipped, the catalytic converter. These components are specifically listed below.

Where a warrantable condition exists, Shindaiwa Kogyo Co., Ltd. will repair your small off-road engine at no cost to you including diagnosis, parts, and labor.

Manufacturer's Warranty Coverage

When sold within the U.S., this engine's emission control system is warranted for a period of two (2) years from the date this product is first delivered to the original retail purchaser.

During the warranty period, Shindaiwa Kogyo Co., Ltd. will, at their option, repair or replace any defective emission-related component on this engine. During the original Warranty Period, these Warranty Rights are automatically transferable to subsequent owners of this product.

What is Covered by this Warranty

1. Carburetor Internal Components
 - Throttle Valve, Needle, Jet, Metering Diaphragm
2. Ignition System Components
 - Ignition Coil
 - Flywheel Rotor
3. Catalytic Converter (if originally equipped)

The emission control system for your particular Shindaiwa engine may also include certain related hoses and connectors.

Owners Warranty Responsibilities

As the small off-road engine owner, you are responsible for the performance of the required maintenance listed in this owners manual. Shindaiwa Kogyo Co., Ltd. recommends that you retain all receipts covering maintenance on your small off-road engine, but Shindaiwa Kogyo Co., Ltd. cannot deny warranty solely for the lack of receipts or for your failure to ensure the performance of all scheduled maintenance.

As the small off-road engine owner, you should be aware, however, that Shindaiwa Kogyo Co., Ltd. may deny you warranty coverage if your small off-road engine or a part has failed due to abuse, neglect, improper maintenance, or unapproved modifications.

You are responsible for presenting your small off-road engine to an authorized Shindaiwa Dealer as soon as a problem exists. The warranty repairs should be completed in a reasonable amount of time, not to exceed 30 days.

If you have any questions regarding your warranty rights and responsibilities, you should contact a Shindaiwa customer service representative at (503) 692-3070 or your local Shindaiwa Dealer.

Consequential Damages

In the event that other component parts of this product are damaged by the failure of a warranted part, Shindaiwa Kogyo Co., Ltd. will repair or replace such component parts at no charge to you.

What is Not Covered

- Failures caused by abuse, neglect, or improper maintenance procedures.
- Failures caused by the use of modified or non-approved parts or attachments.

This Warranty is Administered by:

Shindaiwa Inc.
11975 S.W. Herman Rd.
Tualatin, OR 97062
(503) 692-3070

shindaiwa®

Shindaiwa Inc.
11975 S.W. Herman Rd.
Tualatin, Oregon 97062 USA
Telephone: 503 692-3070
Fax: 503 692-6696
www.shindaiwa.com

Shindaiwa Kogyo Co., Ltd.
Head Office:
6-2-11, Ozuka-Nishi
Asaminami-Ku, Hiroshima
731-3167, Japan
Telephone: 81-82-849-2220
Fax: 81-82-849-2481

©2005 Shindaiwa, Inc.
Part Number 81010
Revision 5/05

Shindaiwa is a registered trademark
of Shindaiwa, Inc.
Specifications subject to change without notice.

Declaración de Garantía del Sistema de Emisión

Download from www.Somanuals.com. All Manuals Search And Download.

Sus Derechos y Obligaciones de Garantía

La Junta de Recursos de Aire de California, La Agencia de Protección del Ambiente Estadounidense y Shindaiwa Kogyo Co., Ltd se complacen en explicar la garantía del sistema de control de emisión de su nuevo motor pequeño.

En California, los motores pequeños están diseñados, construidos y equipados para cumplir con las normas exigentes de anti-smog del Estado de California. En otros estados, los motores nuevos de 1997 para adelante deben cumplir las normas federales exigentes de la EPA de anti-smog. Shindaiwa Kogyo Co., Ltd debe garantizar el sistema de control de emisión de su motor pequeño durante los períodos mencionados abajo, asumiendo que no haya habido abuso, negligencia o mantenimiento impropio en su motor pequeño.

Su sistema de control de emisión incluye partes, tal como el carburador, el sistema de encendido, y, si equipado, convertidor catalítico. Estos componentes están mencionados específicamente abajo.

Cuando exista una condición bajo garantía, Shindaiwa Kogyo Co., Ltd reparará su pequeño motor sin costo alguno para usted incluyendo el diagnóstico, repuestos y mano de obra.

Cobertura de la Garantía del Fabricante

Cuando vendido dentro de los Estados Unidos, el sistema de control de emisión de este motor está garantizado por un período de dos (2) años desde la fecha en que el producto es entregado por primera vez al comprador minorista original.

Durante el período de la garantía, Shindaiwa Kogyo Co., Ltd reparará o cambiará, a su discreción, cualquier componente defectuoso relacionado con el sistema de emisión del motor. Durante el período original de la garantía, estos derechos de garantía son automáticamente transferibles a propietarios subsiguientes de este producto.

Que Está Cubierto Por Esta Garantía

1. Los componentes internos del carburador
 - La válvula de aceleración, la aguja, pitón, Diafragma Medidor.
2. Los componentes del sistema de encendido
 - Rosca del arrancador.
 - Rotor del volante.
3. Convertidor catalítico (si está originalmente equipado)

El sistema de control de emisión de su motor Shindaiwa puede también incluir ciertas mangueras y conexiones particulares.

Shindaiwa®

Shindaiwa Inc.

11975 S.W. Herman Rd.

Tualatin, Oregon 97062 USA

Teléfono: 503 692-3070

Fax: 503 692-6696

www.shindaiwa.com

Shindaiwa Kogyo Co., Ltd.

Head Office:

6-2-11, Ozuka-Nishi

Asaminami-Ku, Hiroshima

731-3167, Japan

Teléfono: 81-82-849-2220

Fax: 81-82-849-2481

Responsabilidades de Garantía del Propietario

Como propietario del motor pequeño, es usted responsable por el rendimiento del mantenimiento requerido y mencionado en este manual del propietario. Shindaiwa Kogyo Co., Ltd recomienda que guarde todo los recibos que prueben el mantenimiento de su motor pequeño, pero Shindaiwa Kogyo Co., Ltd no puede negar la garantía solamente por la falta de recibos o por no llevar a cabo los mantenimientos programados.

Como propietario del motor pequeño, debe saber que Shindaiwa Kogyo Co., Ltd puede negarle la cobertura de garantía si su motor o sus partes han fallado debido a abuso, negligencia, mantenimiento impropio, o modificaciones no autorizadas.

Usted es responsable de presentar su pequeño motor a un centro de servicio Shindaiwa autorizado tan pronto como se presente un problema. Las reparaciones bajo garantía deben ser completadas en un tiempo razonable que no exceda de 30 días.

Si tiene alguna pregunta con respecto a sus derechos y responsabilidades de garantía, usted debe contactar a un representante del servicio al cliente de Shindaiwa al (503) 692-3070 o a su centro local de servicio Shindaiwa.

Daños Consiguientes

En el evento de que alguna otra parte de los componentes de este producto estén dañadas debido a la falla de alguna parte bajo la garantía, Shindaiwa Kogyo Co., Ltd, reparará o cambiará tales partes sin costo alguno para usted.

Que No Está Cubierto

- Fallas causadas por abuso, negligencia, o mantenimiento impropio.
- Fallas causadas por el uso de piezas o accesorios modificados o no autorizados.

Esta garantía es administrada por:

Shindaiwa Inc.

11975 S.W. Herman Rd.

Tualatin, OR 97062

(503) 692-3070

©2005 Shindaiwa, Inc.

Número 81010

Revisado 5/05

Impresión en Los Estados Unidos de América

Shindaiwa es una marca registrada de Shindaiwa, Inc.

Especificaciones sujetas a cambio sin previo aviso.

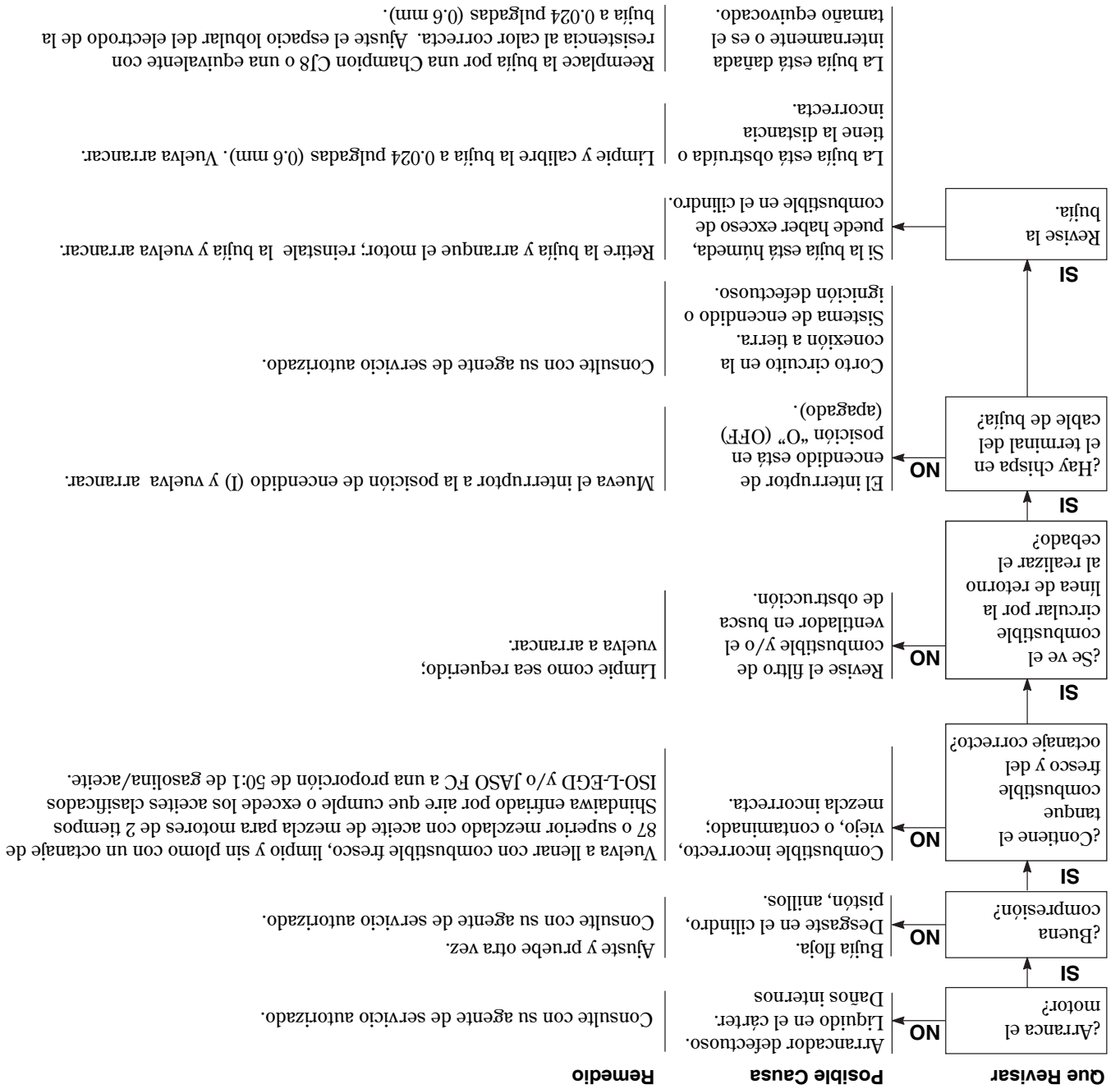
Sintoma	Posible Causa	Remedio
<p>El motor se apaga abruptamente</p>	<p>El interruptor está en la posición de apagado.</p> <p>El tanque de combustible está vacío.</p> <p>Filtro de combustible obstruido.</p> <p>Agua en el combustible.</p> <p>Vuelva a llenar con combustible fresco, limpio y sin plomo con un octanaje de 87 o superior mezclado con aceite de mezcla para motores de 2 tiempos Shindaiwa ISO-L-EGD y/o JASO FC a una proporción de 50:1 de gasolina/aceite.</p> <p>Bujía defectuosa o terminal flojo.</p> <p>Falla en el sistema de encendido.</p> <p>Pistón trabado.</p>	<p>Fije el interruptor y vuelva arrancar.</p> <p>Vuelva a llenar.</p> <p>Cambie el filtro de combustible.</p> <p>Vuelva a llenar con combustible fresco, limpio y sin plomo con un octanaje de 87 o superior mezclado con aceite de mezcla para motores de 2 tiempos Shindaiwa ISO-L-EGD y/o JASO FC a una proporción de 50:1 de gasolina/aceite.</p> <p>Limpie y cambie la bujía; Apriete el terminal.</p> <p>Consulte con su agente de servicio autorizado.</p> <p>Falla en el sistema de encendido.</p> <p>Consulte con su agente de servicio autorizado.</p> <p>Pistón trabado.</p> <p>Consulte con su agente de servicio autorizado.</p>
<p>Se hace difícil apagar el motor.</p>	<p>La conexión a tierra esta desconectada, o el interruptor esta defectuoso.</p> <p>Sobrecalentamiento debido a bujía incorrecta.</p> <p>Reemplace la bujía por una Champion CJ8 o una equivalente con resistencia al calor correcta. Ajuste el espacio lobular del electrodo de la bujía a 0.024 pulgadas (0.6 mm)</p> <p>Motor sobrecalentado.</p>	<p>Pruebe y reemplace como sea requerido.</p> <p>Reemplace la bujía por una Champion CJ8 o una equivalente con resistencia al calor correcta. Ajuste el espacio lobular del electrodo de la bujía a 0.024 pulgadas (0.6 mm)</p> <p>Marcha mínima hasta que enfrie.</p> <p>Consulte la página 10 (motor sobre calentado)</p>
<p>El accesorio de motor en marcha corta gir con el mínimo.</p>	<p>Marcha mínima ajustada muy alta.</p> <p>Resorte del embrague esta quebrado o el resorte la marcha mínima.</p>	<p>Fije la marcha mínima: 3,000 (250) RPM (min⁻¹).</p> <p>Cambie los resortes/zapatillas como sea necesario, revise la marcha mínima.</p>
<p>Vibración excesiva.</p>	<p>El accesorio esta dañado o doblado.</p> <p>Acoplador suelto.</p> <p>El eje principal esta doblado o los bujes están dañados o gastados.</p>	<p>Inspeccione o reemplace como sea necesario.</p> <p>Asegure el acoplador firmemente.</p> <p>Inspeccione o reemplace como sea necesario.</p>

BAJA POTENCIA

GUIA DIAGNOSTICO (continuación)

Que Revisar	Posible Causa	Remedio
<p>¿Se está sobrecalentando el motor?</p>	<p>El operador está forzando la máquina. La mezcla del carburador es muy pobre.</p>	<p>Recorte el cable de nylon. Corte más despacio. Consulte con su agente de servicio autorizado.</p>
<p>El motor funciona bruscamente en cualquier velocidad. Puede tener humo negro y/o combustible sin usar en el escape.</p>	<p>Proporción de combustible inapropiada. Ventilador, tapa del ventilador, aletas del cilindro están sucios o dañados. Depósitos de carbón en el pistón o en el silenciador.</p>	<p>Vuelva a llenar con combustible fresco, limpio y sin plomo con un octanaje de 87 o superior mezclado con aceite de mezcla para motores de 2 tiempos Shindaiwa entrado por aire que cumple o excede los aceites clasificados ISO-L-EGD y/o JASO FC a una proporción de 50:1 de gasolina/aceite. Limpie, repare o reemplace como sea necesario. Consulte con su agente de servicio autorizado.</p>
<p>El motor está golpeando.</p>	<p>Filtro de aire obstruido. Bujía floja o dañada. Fuga de aire o línea de combustible obstruida.</p>	<p>Limpie el elemento de aire. Apriete o reemplace la bujía por una Champion CJ8 o una equivalente con resistencia al calor correcta. Ajuste el espacio lobular del electrodo de la bujía a 0.024 pulgadas (0.6 mm). Repare o cambie el filtro y/o la manguera de combustible.</p>
<p>El motor está golpeando.</p>	<p>Sobrecalentamiento Combustible inadecuado Depósitos de carbón en la cámara de combustión.</p>	<p>Consulte arriba. Revise el índice de octanaje del combustible. Revise si hay alcohol en el combustible. Vuelva a llenar si es necesario. (Consulte página 10). Consulte con su agente de servicio autorizado.</p>

EL MOTOR NO ARRANCA



Almacenamiento de Largo Plazo

Cada vez que la máquina no va a ser usada por 30 días o más, siga los siguientes procedimientos para preparar su almacenamiento:

- Limpie las partes externas minuciosamente.
- Drene todo combustible en el tanque.

¡IMPORTANTE!

Todo combustible almacenado debe estar estabilizado con un estabilizador de combustible tal como STA-BIL™, al menos que use aceite con **ONE** estabilizador de combustible.

PRECAUCIONI
Gasolina almacenada en el carburador por periodos largos puede causar un arranque duro y puede conducir a un aumento en costo de servicio y mantenimiento.

1. Presione la bombilla de cebado hasta que el combustible deje de pasar.
2. Arranque y mantenga encendido el motor hasta que pare de funcionar.
3. Repita los pasos 1 y 2 hasta que el motor ya no arranque.

- Retire la bujía y vierta aproximadamente 1/4 de onza de aceite de mezcla para motores de 2 tiempos en el cilindro a través del agujero de la bujía. Lentamente jale el arrancador 2 o 3 veces para que el aceite se aplique uniformemente en el interior del motor. Reinstale la bujía.
- Antes de almacenar la máquina, repare o cambie cualquier pieza dañada o gastada.
- Retire el elemento del filtro de aire del carburador y límpielo minuciosamente con agua y jabón. Deje que seque y vuelva a ensamblar el elemento.
- Almacene la máquina en un sitio limpio y libre de polvo.

Afilado de Discos

Cuando los bordes de corte de un disco pierdan su filo, pueden ser afilados rápidamente con una lima. Para mantener el disco balanceado, todos los bordes de corte deben ser afilados uniformemente.

Disco Shindaiwa Tornado™

Para afilar los dientes de corte de un disco shindaiwa Tornado™, use una lima redonda de 7/32 pulgadas. Afíle el borde guía de cada diente hasta obtener un filo similar al de una hoja de afeitar. La superficie superior de cada diente debe tener una inclinación de 30 grados. Consulte la figura 32.



¡ADVERTENCIA!

Afíle solamente los dientes de cortar. NO altere de ninguna forma el contorno del disco.

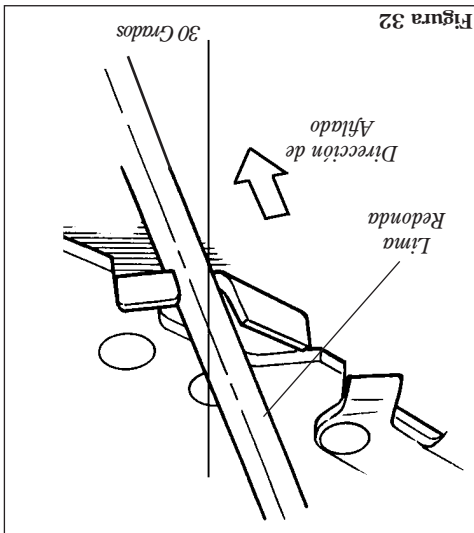


Figura 32

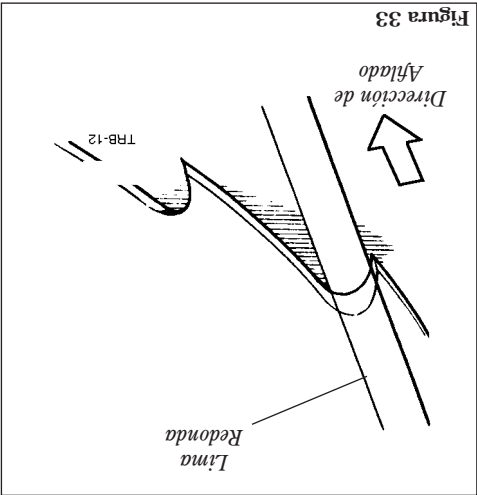


Figura 33

Use una lima redonda para mantener un radio de 0.04 a 0.06 pulgadas (1 a 1.5mm) en la base de cada diente. Los dientes deben quedar igualmente descentrados por cada lado. Consulte la figura 33.

Mantenimiento Cada 50 Horas

Cada 50 horas de operación:
(más frecuentemente bajo condiciones sucias o polvorientas):

- Retire y limpie la tapa del cilindro y limpie la maleza y la suciedad en las aletas del cilindro.
- Retire el accesorio de corte, el soporte del accesorio de corte y el collar de la caja de engranajes. Retire la tuerca del alimentador del costado de la caja de engranajes e introduzca grasa nueva a la caja hasta que la grasa usada salga. Use solamente grasa a base de litio, tal como grasa Shindaiwa para Caja de Engranes o su equivalente. Consulte la figura 30.

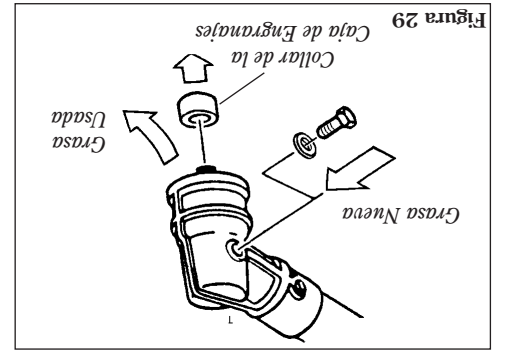


Figura 29

Cada 135 Horas Mantenimiento

Cada 135 horas de operación, retire y limpie el silenciador

¡ADVERTENCIA!
Nunca opere la máquina con un silenciador o guardachispas dañado o faltante! De lo contrario, puede ser un riesgo de incendio y podría también causar daños a sus oídos.

1. Retire el protector de la bujía.

2. Retire los tornillos de 4mm de la tapa del motor (dos en la parte trasera y dos en la parte delantera de la tapa) y levante la tapa del motor.

3. Retire los dos tornillos de 5mm del silenciador. Retire el tornillo inferior del silenciador. Luego levante el ensamblaje del silenciador.

4. Separe el silenciador de la protección delantera, mientras observa la orientación de los componentes. Consulte la figura 31.

- Lubrique las estrías del eje principal. Use un gancho de alambre para extraer el filtro de combustible del tanque de combustible. Consulte la figura 31.

PRECAUCIÓN!

Asegure de no perforar la tubería de combustible con la punta del gancho de alambre, pues esta línea es delicada y se puede dañar fácilmente.

- Retire y reemplace el elemento del filtro. Antes de reinstalar el filtro, inspeccione la condición de todo los componentes del sistema de combustible (manguera de alimentación, manguera del ventilador, ventilador, tapa y tanque). Si descubre daños, quebraduras o deteriorización, retire la unidad de operación hasta que pueda ser inspeccionada o reparada por un técnico de servicio entrenado por Shindaiwa.

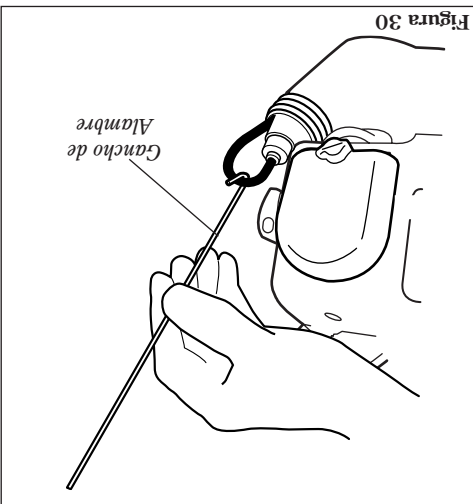


Figura 30

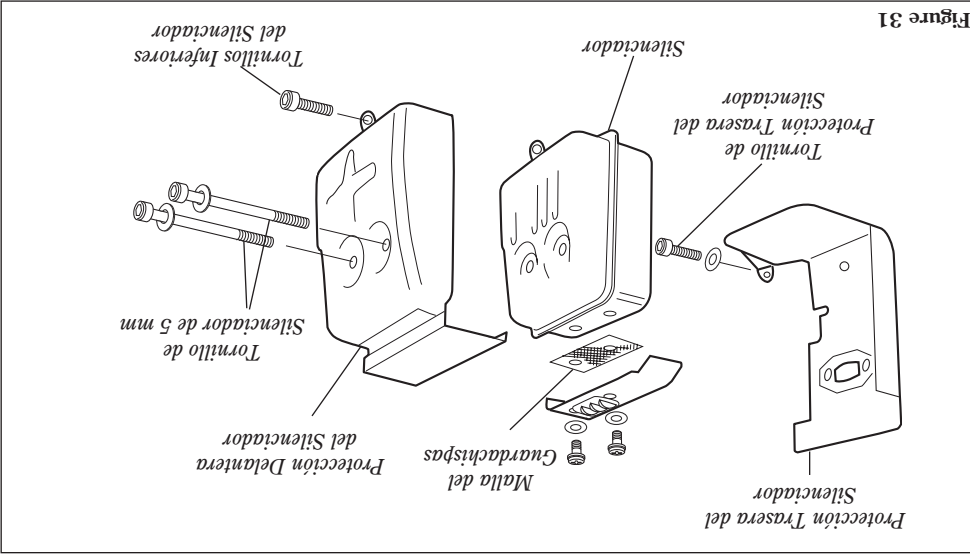


Figure 31

5. Retire la malla guardachispas y limpie la con un cepillo de cerdas gruesas.
6. Delicadamente, gálpee el silenciador sobre una superficie de madera para retirar el carbón suelto.
7. Inspeccione el orificio del escape del cilindro en busca de acumulaciones de carbón.

¡IMPORTANTE!

Si nota acumulación excesiva de carbón, consulte con su centro de servicio o distribuidor autorizado Shindaiwa.

8. Vuelva a ensamblar el silenciador en forma reversa al order de desensamblaje.

Mantenimiento General

!IMPORTANTE!
 EL MANTENIMIENTO, REEMPLAZO O REPARACION DE LOS SISTEMAS Y DISPOSITIVOS DE CONTROL DE EMISION PUEDEN SER EFECTUADOS POR CUALQUIER ESTABLECIMIENTO O INDIVIDUO; SIN EMBARGO, LAS REPARACIONES DE GARANTIA DEBEN SER EFECTUADAS POR SU CENTRO DE SERVICIO O DISTRIBUIDOR AUTORIZADO POR SHINDAIWA KOGYO CO., LTD. EL USO DE PARTES QUE NO SON EQUIVALENTES EN RENDIMIENTO Y DURABILIDAD A LAS PARTES AUTORIZADAS PUEDEN AFECTAR LA EFECTIVIDAD DE SU SISTEMA DE CONTROL DE EMISION Y PUEDE INFLUENCIAR EL RESULTADO DE SU RECLAMO DE GARANTIA.

!ADVERTENCIA!
 Antes de efectuar mantenimiento, reparación o limpieza de la máquina, cerciórese de que el motor y el accesorio de corte estén completamente detenidos. Desconecte el cable de bujía antes de efectuar servicio de mantenimiento.

Mantenimiento Diario

Antes de cada día de trabajo, efectúe lo siguiente:

- Revise que no falten tornillos y que no estén flojos. Cerciórese de que el accesorio de corte esté firmemente asegurado.

Mantenimiento Cada 10 Horas

- Cada 10 horas de operación (más frecuentemente bajo condiciones sucias o polvorentas):
 - Retire el elemento del filtro de aire. Consulte la figura 27. Limpie o reemplace como sea necesario. Para lavar el elemento: Lávelo metulosa-mente con agua y jabón. Deje que seque antes de reinstalarlo.

Mantenimiento Cada 10/15 Horas

- Cada 10 ó 15 horas de operación:
 - Retire y limpie la bujía. Ajuste la distancia del electrodo a 0,024 pulgas (0,6 mm). Si la bujía necesita ser reemplazada, use solamente una bujía Champion CJ8 o una bujía equivalente con resistencia al calor correcta. (Para el cumplimiento electro magnético (EMC) use una bujía resistente NGK BMR6A) Consulte la figura 28.

!ADVERTENCIA!
 Los repuestos no originales pueden causar daño y conducir a una lesión personal.

NOTA:
 El usar repuestos no estándar podría invalidar su garantía Shindaiwa.

Silenciador
 Esta máquina nunca debe ser operada con un guardachispas o silenciador defectuoso o faltante. Cerciórese de que el silenciador esté bien asegurado y en buena condición. Un silenciador usado o dañado es un riesgo de incendio y puede causar la pérdida de audición.

Bujía
 Mantenga la bujía y las conexiones de cable apretadas y limpias.

Sujetadores
 Cerciórese de que las tuercas, pernos y tornillos (a excepción de los tornillos de ajuste del carburador) estén apretados.

PRECAUCION!
 No opere esta máquina si el filtro de aire está sucio, dañado o si está húmedo.

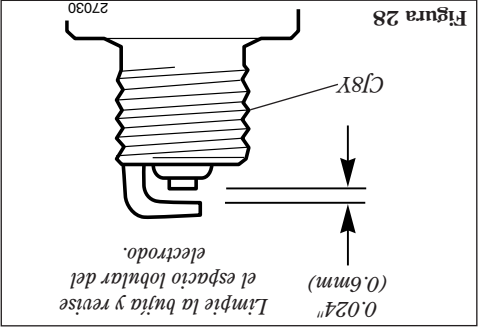
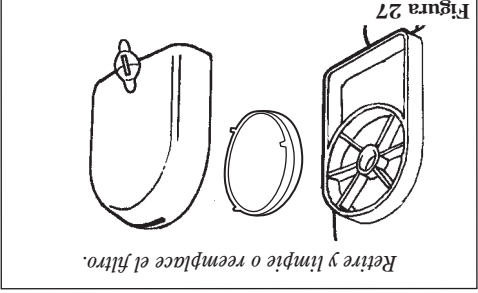
PRECAUCION!
 Antes de retirar la bujía limpie alrededor de la misma para evitar que entre polvo o suciedad a las partes internas del motor.

Cuchillas
 Mantenga los discos afilados y revise la condición del disco frecuentemente. Si el rendimiento de un disco cambia repentinamente, pare el motor y revise el disco en busca de rajaduras u otro daño. Reemplace el disco dañado INMEDIATAMENTE!

!ADVERTENCIA!
 Nunca repare un disco dañado soldándolo, enderezándolo o modificándolo su forma. Una vez alterado, podría quebrarse en plena operación y ocasionar lesiones personales serias.

- No use discos de corte de 2 o 4 dientes no aprobados por Shindaiwa en su desmalezadora o podadora Shindaiwa.
- Los discos de corte no son intercambiables entre las orilladoras o desmalezadoras. El uso de cualquier unidad con discos o accesorios no aprobados para la respectiva unidad pueden ser peligrosos y ocasionar lesiones graves.

- Cuidadosamente, retire cualquier acumulación de suciedad o desecho del silenciador y del tanque de combustible. La acumulación de suciedad en dichas áreas puede ocasionar el sobrecalentamiento del motor, inducir el gasto prematuro o crear un riesgo de incendio.





- Antes de trabajar con una unidad equipada con un disco, inspeccione siempre y limpie los objetos en el área que puedan interferir o dañar el disco.
- NUNCA use un disco cerca de veredas, cercas, edificios u otros objetos que puedan causar lesiones o daños.
- NUNCA use un disco para ningún otro propósito aparte del cual ha sido diseñado.

- Cuando golpee un objeto sólido con un disco, siempre pare el motor y cuidadosamente inspeccione el disco en busca de daños. NUNCA OPERE LA DESMALLEZADORA CON UN DISCO DAÑADO!
- Una unidad equipada con un disco debe estar equipada con un mango tipo bicicleta, así también como con un arnés.
- SIEMPRE cerciore que el protector del accesorio de corte esté correctamente instalado antes de operar la unidad.

Usando un Disco T22X

El disco gira en dirección contraria a las agujas del reloj. Para máximo rendimiento y para reducir el ser golpeado por despojos, mueva el disco de derecha a izquierda mientras avanza en su trabajo. Ubique el disco de tal manera que los cortes se realicen entre las 8 horas y las 10 horas (agujas de un reloj). NO CORTE entre las 10 horas y 5 horas.



- Cuando corte madera con un disco, presione el disco lentamente. Nunca golpee un disco en rotación contra la madera.
- NO USE discos de corte de dos o de cuatro puntas no aprobados por shindaiwa con su desmallezadora.

Rebote de Disco

El rebote de disco es un movimiento repentino de lado a lado o hacia atrás de la desmallezadora. Tal movimiento puede ocurrir cuando el disco se enreda o golpea un objeto tal como ramas o troncos de árbol. ESTE CONSTANTEMENTE ALERTA DEL REBOTE DE DISCO Y PROTEJASE CONTRA SUS EFECTOS!

Mango Tipo Bicicleta

para Desmallezadora

El mango tipo bicicleta para desmallezadora ayuda a prevenir que el operador se mueva hacia adelante o que la unidad se mueva hacia atrás, impidiendo así el contacto del cuerpo con el accesorio de corte. SIEMPRE MANTENGA EL MANGO ASEGURADO EN SU SITIO EN LA UNIDAD!

Arnés para Desmallezadoras

Un arnés provee protección adicional en contra de rebotes de cuchilla. Además, un arnés da un significativo soporte y comodidad para ayudar a asegurar una operación segura y eficiente. Cuando use una desmallezadora, cerciorese que el mango y el arnés estén ajustados a la talla del operador que usa la unidad.

Cortes Verticales

Sostenga la desmallezadora con el disco a un ángulo de 90 grados con respecto al suelo, de forma que el borde inferior del disco gire hacia el operador. Mueva el disco de arriba para abajo a través del corte, y corte solamente con el borde inferior del disco. Consulte la figura 26.

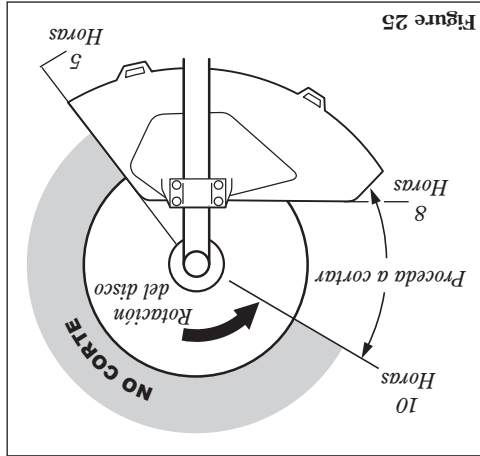


Figure 25



Al efectuar cortes verticales, nunca permita que el disco sobrepase la altura de su cintura.

!ADVERTENCIA!

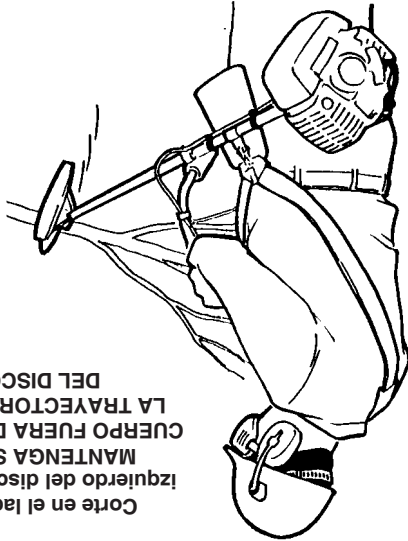


Figura 26

Corte en el lado izquierdo del disco. MANTENGA SU CUERPO FUERA DE LA TRAYECTORIA DEL DISCO!

Velocidades de Operación del Motor

- Opere el motor a máxima potencia mientras corte. Para mayor eficiencia de combustible, suelte el acelerador cuando voltee de regreso después de un corte.
- Para evitar posibles daños al motor, no permita que la desmallezadora funcione a altas velocidades sin carga.
- Evite operar el accesorio a velocidades bajas. De lo contrario, puede conducir a un desgaste rápido del embrague. Adicionalmente, la operación a baja velocidad tiende a hacer que el cabezal de corte se enrede con césped y despojos.

NUNCA opere la unidad sin el protector del accesorio de corte o sin equipo de protección (arnés, interruptor de encendido, el gancho reten del disco, etc.)



¡ADVERTENCIA!

El protector del accesorio de corte o equipo de protección no garantiza protección contra rebotes. USTED SIEMPRE DEBE PROTEGERSE!

Arnes

¡IMPORTANTE!

Ajuste el arnés de tal forma que la almohadilla descansa cómodamente sobre los lados de los hombros y que la trayectoria de corte del accesorio de corte esté paralelo al suelo. Asegure que todo los ganchos y dispositivos de ajuste estén asegurados.

La T272 con un Cabezal de Nylon.

NOTA:

A pesar de que el arnés no es requerida con el uso de podadoras, un arnés puede aumentar la comodidad para el operador durante periodos extensos de operación.

Su podadora Shindaiwa T272X pueda que este equipada con uno de varios modelos de cabezales de corte de Shindaiwa, cada uno con características para aplicaciones específicas y/o requisitos operacionales.

NOTA:

Un cabezal de nylon también puede ser instalado en la desmalezadora C272 Shindaiwa. Para la operación adecuada, consulte siempre las instrucciones incluidas en el cabezal de corte. Entre los modelos de cabezales de corte disponibles se incluyen:

- **Semi-Automático:** La línea de corte es indexada cuando el operario toca el suelo con el cabezal de corte durante el uso.
- **Manual:** El operario suelta manualmente el cable con la podadora completamente detenida.
- **Fijo:** El operario debe apagar el motor y añadir manualmente nuevos pedazos de línea de corte.
- **Pivote:** Este dispositivo, diseñado para cortar mala hierba o maleza ligera, incluye tres cuchillas de nylon atornilladas al cabezal a través de pivotes.

Corte de Césped – Máquinas Equipadas con Cabezal de Nylon

NOTA:

Herramientas adicionales pueden ser requeridas para montar los cabezales de Línea Fija o de cuchillas flotantes.

PRECAUCIÓN!

No presione el cable de nylon contra árboles, cercas de alambre o cualquier otro material que pueda atascar o romper el cable.

Velocidades de Operación del Motor

Opere la máquina a aceleración máxima cuando corte césped.

PRECAUCIÓN!

Operación a bajas revoluciones por minuto puede conducir a la falla prematura del embrague.

PRECAUCIÓN!

Operación a bajas revoluciones puede conducir a la falla prematura del embrague.

Figura 22



Aarnés recomendado para una podadora.

Use solamente repuestos y accesorios autorizados por Shindaiwa en su desmalezadora Shindaiwa. No haga modificaciones a la máquina sin la aprobación escrita de Shindaiwa, Inc.
SIEMPRE cerciórese de que el accesorio de corte esté propiamente instalado y firmemente apretado antes de usar.
NUNCA use un accesorio de corte rajado o doblado, reemplácelo con uno util.
SIEMPRE cerciórese de que el cabezal encaje propiamente dentro del soporte. Si un cabezal propiamente instalado vibra, reemplácelo por uno nuevo y pruebe.

SIEMPRE pare el motor inmediatamente y revise en busca de daños si golpea un objeto extraño o si la unidad se enreda. No opere con equipo dañado o quebrado. NUNCA permita que el motor funcione a altas revoluciones sin carga. De lo contrario, podría dañar el motor.
NUNCA use la máquina con sujetadores o soportes de accesorios desgastados o dañados.
NUNCA corte con cuchillas desafiladas. De lo contrario, aumentaría el riesgo de rebote de la cuchilla y también puede causar daño a su equipo.

NOTA:

El usar un arnés al operar esta unidad con una cuchilla, le permite mantener un control propio de la unidad y reduce la fatiga durante extensa operación.

Recorte y Podado de Césped

Sostenga la máquina de tal forma que el cabezal esté en ángulo al área de corte. Para obtener máxima vida útil del cable de nylon, corte solamente con la punta del cable. Corte el cable moviendo el cabezal de izquierda a derecha. Mantenga el cabezal horizontalmente.



Figura 23

Consulte la figura 23.

Orrillas

Incline el mango más o menos a 100° hacia la izquierda (desde la posición horizontal) y avance hacia adelante, sosteniendo la recortadora verticalmente como se muestra en la figura 24.

Figura 24



1. Coloque la máquina en el suelo y encienda el motor. Déjelo funcionar en marcha mínima durante 2 ó 3 minutos hasta que caliente.

!ADVERTENCIA!
El accesorio de corte NUNCA debe girar en velocidades mínimas! Si la marcha mínima no puede ser ajustada por el procedimiento descrito aquí, entonces devuelva la máquina a su distribuidor Shindaiwa para inspección.

Ajuste de Marcha Mínima

El motor debe retornar a marcha mínima cuando la palanca del acelerador es liberada. La marcha mínima es ajustable y debe ser suficientemente mínima para permitir que el embrague del motor libere el accesorio de corte.

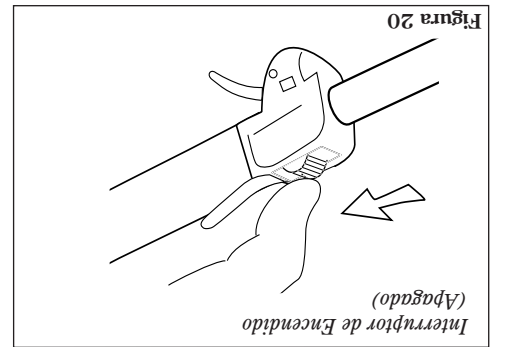
2. Si el accesorio de corte gira mientras el motor está en marcha mínima, reduzca la marcha mínima, girando el tornillo de ajuste de marcha mínima en el sentido contrario a las agujas del reloj. Consulte la figura 21.
3. Si tiene un tacómetro disponible, la marcha mínima debe ajustarse a 3,000 (±250) RPM (min⁻¹).



Ajuste de Marcha Mínima del Motor

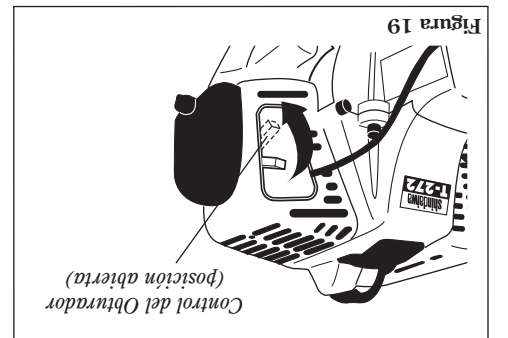
Los ajustes de mezcla de carburador para máquinas anti-emisiones son preajustados en la fábrica y no pueden ser cambiados en el campo.

NOTA:



Parada del Motor

Ponga el motor en marcha mínima por dos o tres minutos antes de apagarlo, luego deslice el interruptor de ignición a la posición "O" (motor apagado). Consulte la figura 20.



6. Cuando arranque el motor, mueva la palanca del obturador a la posición "OPEN" (abierta). Consulte la figura 19. (Si el motor para después del arranque inicial, cierre la palanca del obturador y vuelva a arrancar).

!ADVERTENCIA!
El accesorio de corte puede accionarse cuando enciende el motor!

Si el motor falla en arrancar después de varios intentos con la palanca del obturador en posición cerrada, puede que el motor esté ahogado con combustible. Si esto se sospecha, mueva la palanca del cebador a la posición abierta y repetidamente jale el arrancador retráctil para remover el exceso de combustible y para arrancar el motor. Si aún falla en arrancar el motor, consulte el guía diagnóstico de este manual.

!IMPORTANT!

7. Al operar el acelerador, automática-mente desengancha la marcha mínima.

!ADVERTENCIA!
Nunca arranque el motor desde la posición de operación.

Arranque del Motor (continuación)

- Después de que arranque el motor, permita que el accesorio de corte gire más rápido; libere el acelerador cuando el motor regrese a marcha mínima, la velocidad mínima del carburador debe ser ajustada (consulte la siguiente página).
- Presionando el gatillo del acelerador hace que el accesorio de corte gire más rápido; libere el acelerador cuando el motor regrese a marcha mínima, la velocidad mínima del carburador debe ser ajustada (consulte la siguiente página).
- Después de que caliente el motor, levante la máquina y asegure el arnés si así está equipada. Consulte la página 10.
- Después de que caliente el motor, permita que el accesorio de corte gire más rápido; libere el acelerador cuando el motor regrese a marcha mínima, la velocidad mínima del carburador debe ser ajustada (consulte la siguiente página).

Cuando arranca el motor...

Mezcla de Combustible

- Algunas gasolinas contienen alcohol como oxígeno. Combustibles oxigenados pueden aumentar la temperatura del motor durante su funcionamiento. Bajo ciertas condiciones, combustible con alcohol puede reducir la calidad lubricante de algunos aceites de mezcla.
- Nunca use ningún combustible que contenga más de 10% de alcohol por volumen! Aceites genéricos y algunos aceites para motores fuera de borda pueden que no sean para el uso en motores de 2 tiempos, de alto rendimiento, y no deben ser usados en su motor Shindaiwa!

!PRECAUCION!

Este motor está diseñado solamente para funcionar con una mezcla de 50:1 de gasolina sin plomo y aceite de mezclar para motores de 2 tiempos. ISO-L-EGD o JASO FC. El uso de aceites de mezclar no autorizados puede conducir a excesos de depósitos de carbón.

!PRECAUCION!

- Use solamente gasolina fresca, limpia y sin plomo, con índice de octanaje de 87 o superior.
 - Mezclado con 50:1 combustible con aceite de mezclar para motores de 2 tiempos Shindaiwa ISO-L-EGD o JASO FC a una proporción de 50:1 (1 galón de combustible por 2,6 onzas de aceite de mezclar). Shindaiwa One cumple o excede estos requisitos.
- ### Ejemplos de cantidades de mezcla a proporción de 50:1
- 1 galón de gasolina por 2,6 onzas de aceite de mezcla.
 - 5 litros de gasolina por 100 ml de aceite de mezcla.

!IMPORTANTE!

Mezcle solamente el combustible necesario para uso inmediato! De ser necesario almacenar el combustible por más de 30 días, y si no se está usando aceite con estabilizador de combustible, entonces el combustible debe ser tratado primero con un estabilizador como por ejemplo STA-BIL™.

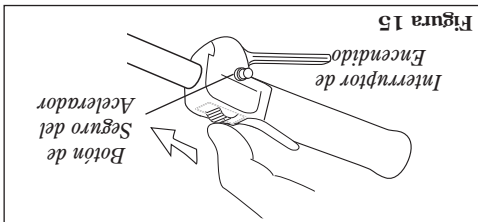


FC clasificado y también cumple o excede los requisitos de rendimiento de ISO-L-EGD. Shindaiwa One es recomendado para el uso en todo los motores Shindaiwa de baja emisión. Shindaiwa One también incluye el estabilizador de combustible.

Arranque del Motor

NOTA:

El encendido del motor está controlado por un interruptor de dos posiciones montado en el mango del acelerador indicado "I" (encendido) y "O" (apagado).



1. Deslice el interruptor hacia la posición "I" (motor encendido). Consulte la figura 15.

2. Posicione la palanca del acelerador en "marcha rápida" como a continuación:
 - a. Apriete la palanca del acelerador hacia el manubrio en el tubo del eje.
 - b. Deprima y mantenga el botón de seguro del acelerador.
 - c. Mientras deprime el botón de seguro del acelerador, libere la palanca del acelerador. Consulte la figura 16.

La bombilla de cebado solamente empuja combustible a través del carburador. Presionando repetidamente la bombilla de cebado no ahogará el motor con combustible.

!IMPORTANTE!

3. Presione la bombilla de cebado hasta que vea pasar combustible por el tubo de retorno transparente. Consulte la figura 17.

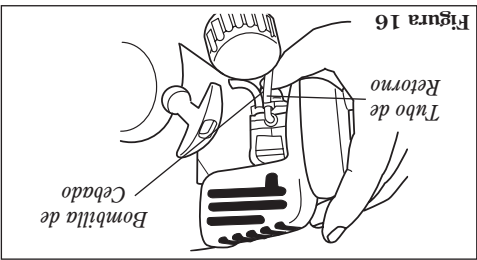


Figura 16

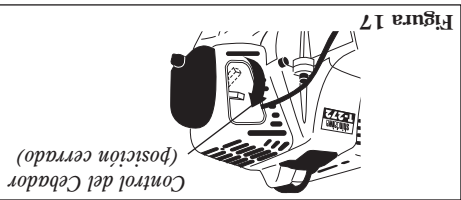


Figura 17

5. Mientras sostiene el tubo exterior firmemente con una mano, jale despacio la cuerda del arrancador retráctil hasta que sienta resistencia, luego jale rápidamente para arrancar el motor.

!PRECAUCION!

No jale el arrancador retráctil hasta el final de la cuerda. De lo contrario, puede dañar el arrancador.

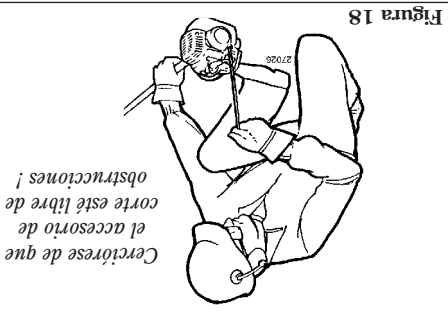


Figura 18

4. Posicione la palanca del cebador en la posición CLOSED (cerrado) si el motor está frío. Consulte la figura 17.

1. Posicione la máquina sobre una superficie plana y nivelada.
2. Retire cualquier suciedad o desposos alrededor de la tapa de combustible.
3. Retire la tapa de combustible y llene el tanque con combustible fresco y limpio.
4. Reinstale la tapa de combustible y apriete firmemente.

Llenando el Tanque de Combustible

!ADVERTENCIA!

Disminuya el Riesgo de Incendios!

- SIEMPRE pare el motor y permita que se enfríe antes de volver a llenar el tanque. Evite sobre llenar el tanque y limpie cualquier derrame de combustible.
- Limpie todo derrame de combustible y aleje el motor por lo menos 10 pies (3 metros) del depósito de combustible antes de volver a encender el motor!
- NUNCA comience u opere esta máquina si existe una pérdida de combustible.
- NUNCA encienda u opere esta máquina si el carburador, líneas de combustible y/o tapa de tanque o tanque de combustible se encienden o encienden tras dañados.
- NUNCA fume o encienda fuegos cerca del motor o del combustible!
- NUNCA coloque material inflamable cerca del silenciador del motor!
- NUNCA opere el motor sin antes comprobar que el silenciador y el guardachispas estén funcionando adecuadamente.

Ensamblaje y Ajustes

NOTA:

La T272X es enviada con el soporte A, el protector de perno B, el perno de eje, y el eje tiene una rosca izquierda y se retira girando en dirección a las agujas del reloj.

1. Con el eje de salida de la caja de engranajes cara arriba, gire el eje de cambios y el sujetador A hasta que la muesca en el borde de la caja de engranajes, y luego asegure el sujetador a la caja insertando el lado más largo de la llave hexagonal a través de ambas muescas. Consulte la figura 12.

2. Retire el perno del eje, el protector del perno y el sujetador B. Consulte la figura 12.
3. Deslice el reten de seguridad fuera del centro del eje. Consulte la figura 12A.
4. Deslice el disco sobre el seguro y sobre el borde del soporte A. Consulte la figura 12B.

5. Asegure el disco en el eje centrando el seguro. Consulte la figura 12C.

!PRECAUCION!

Instale el disco de tal manera que su superficie impresa sea visible al operador cuando la unidad esté en la posición normal de operación.

!ADVERTENCIA!

El disco debe encajar en forma plana contra el borde del soporte. La muesca de montaje del disco debe estar centrada sobre el patrón elevado en el soporte de disco A.

NOTA:

Cuando instale ciertos discos, pueda que sea necesario retirar temporalmente seguro.

6. Instale el soporte B en el eje de la caja de engranajes. Consulte la figura 13.

!IMPORTANTE!

El agujero maquinado en el soporte B debe rodar completamente el reten de seguro, y ambos soporte deben estar planos contra la superficie del disco.

7. Asegure el soporte A a la caja de engranajes insertando el lado más largo de la llave hexagonal a través de ambos agujeros como fue hecho en el procedimiento número 1 y apriete el perno del eje con la llave combinación de bujía/destornillador. Consulte la figura 14.
8. Retire la llave hexagonal.

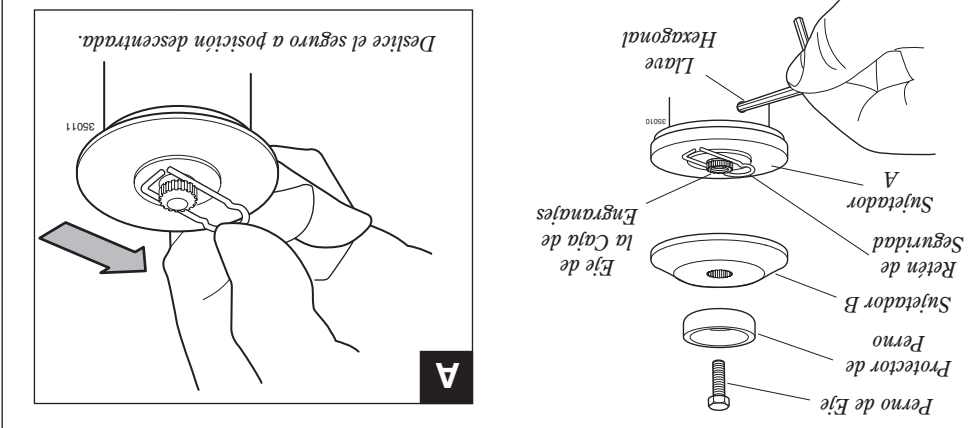


Figura 12

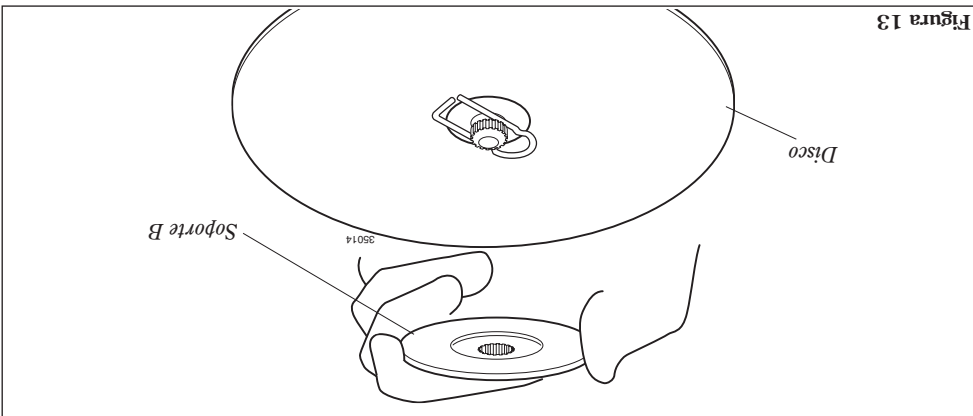


Figura 13

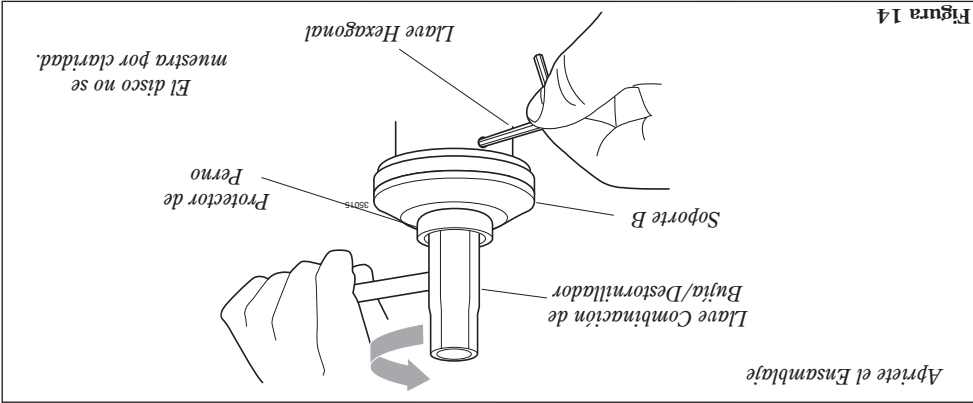


Figura 14

!ADVERTENCIA!

Nunca opere la desmaltadora sin el reten de seguridad instalado y ambos sujetadores asegurados firmemente y planos contra la superficie del disco!

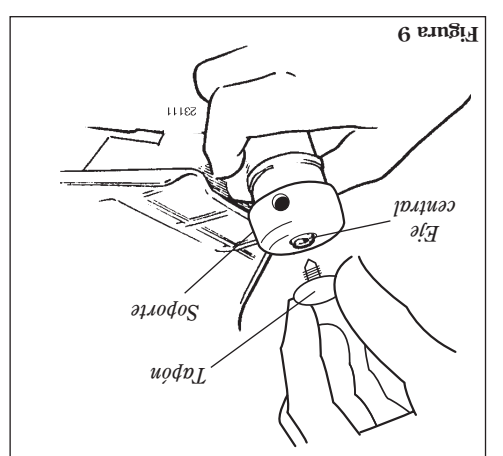
La T272X debe estar ahora completamente ensamblada para operar con un disco.

1. Con el eje de salida de la caja de engranajes cara arriba, gire el eje central y el soporte A hasta que la muesca en el borde de la caja de engranajes, y luego asegure el soporte a la caja de engranajes insertando el lado más largo de la llave hexagonal a través de ambas muescas. Consulte la figura 11A.
2. Usando la llave combinación de bujía/destornillador, retire el perno de eje, el protector de perno, el soporte B y el reten de seguridad. (El protector de perno, perno de eje y el reten de seguridad no son usados con un cabezal de recorte). Consulte la figura 11A.
3. Instale el soporte B en el eje de la caja de engranajes. La muesca ramurada del soporte B debe encajar con el eje de la caja de engranajes.
4. Usando la llave hexagonal para asegurar el soporte A, instale y apriete con la mano el cabezal (para instalar, gire en dirección contraria a las agujas del reloj). Consulte la figura 11B.
5. Retire la llave hexagonal de la caja de engranajes y del soporte.

NOTA:

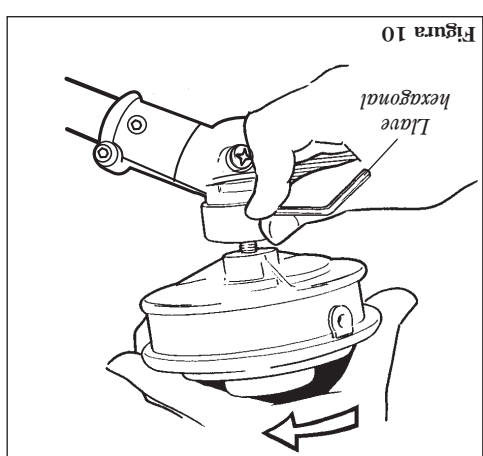
Instalación del Cabezal de Nylon T272X

1. Con el eje de salida de la caja de engranajes cara arriba, gire el eje central y el soporte hasta que la muesca en el borde de la caja de engranajes, y luego asegure el soporte a la caja de engranajes insertando el lado más largo de la llave hexagonal a través de ambas muescas. Consulte la figura 9.



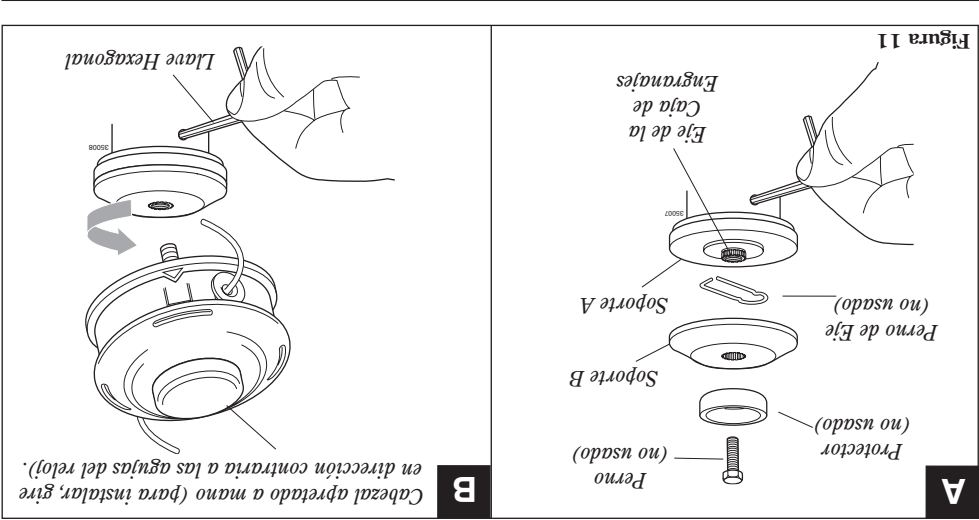
¡IMPORTANTE!
El cabezal de corte tiene una rosca izquierda. Para retirarlo, gire el cabezal en dirección de las agujas del reloj.

2. Usando la llave hexagonal para asegurar el soporte, instale y apriete con la mano el cabezal (para instalar, gire en dirección contraria a las agujas del reloj).
3. Retire la llave hexagonal de la caja de engranajes y del soporte.



Instalación del Cabezal de Nylon T272

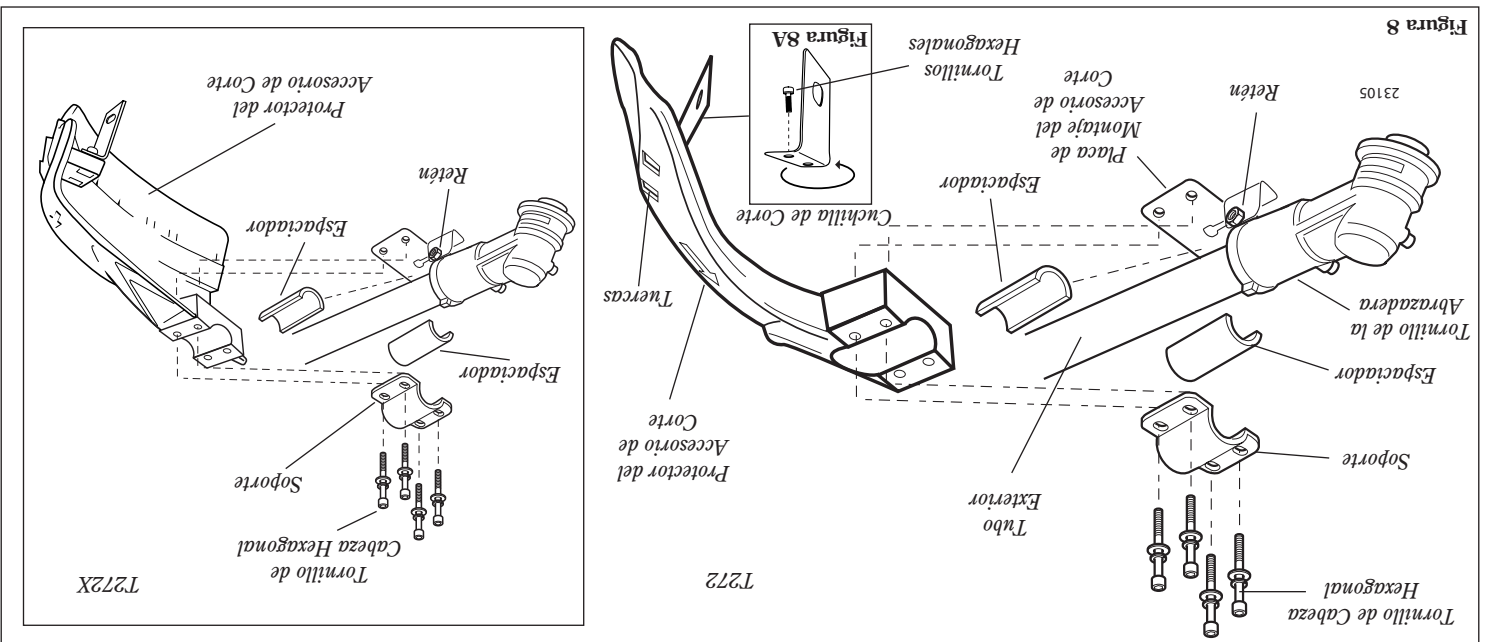
¡ADVERTENCIA!
Una podadora con mango circular NUNCA debe ser operada con discos. Para usar discos, la podadora debe estar equipada con un mango tipo bicicleta o un mango con barrera ubicado al frente del operario para reducir el riesgo de que el operario entre en contacto con el accesorio de corte (Norma ANSI B175.3). Cuando use una cuchilla, la unidad debe estar equipada con un arnés o correa.



Instalación del Cabezal de Nylon T272

La T272 debe estar ahora completamente ensamblada para ser operada como podadora

¡ADVERTENCIA!
Una podadora de grama normal con mango circular NUNCA debe ser operada con accesorios tipo cuchilla. Para usar cuchilla, la podadora debe estar equipada con un mango tipo bicicleta o un mango con barrera ubicado al frente del operario para reducir el riesgo de que el operario entre en contacto con el accesorio de corte (Norma ANSI B175.3). Cuando use una cuchilla, la unidad debe estar equipada con un arnés o correa.



Instale el protector del accesorio de corte T272/T22X.

1. Inserte el protector del accesorio de corte entre el tubo exterior y la placa de montaje. Consulte la figura 8.

NOTA:

Pueda que sea necesario aflojar el retén y el tornillo sujetador para ajustar la placa de montaje del protector del accesorio de corte.

2. Coloque los dos espaciadores y el soporte sobre el tubo exterior e instale sin ajustar los cuatro tornillos de cabeza allen. Consulte la figura 8.
3. Apriete los cuatro tornillos de cabeza allen para asegurar el protector del accesorio de corte.

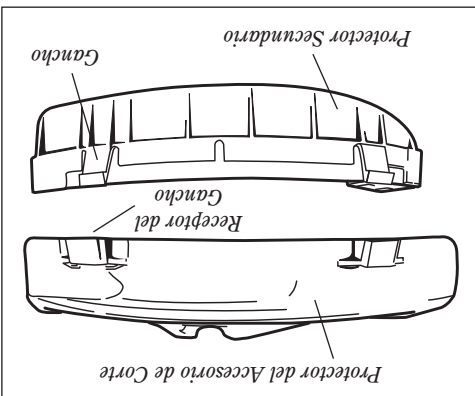
PRECAUCIÓN!

Asegúrese de que el tornillo sujetador y el retén estén debidamente apretados antes de apretar los cuatro tornillos de cabeza allen.

Para Cambiar la Posición de la Cuchilla de Corte.

- La cuchilla para cortar el nylon puede ser colocada en dos posiciones para obtener diferentes longitudes para cortar.
1. Retire los dos tornillos con una llave hexagonal de 4mm. Consulte la figura 8A.
 2. Gire la cuchilla de corte. Consulte la figura 8A.
 3. Reinstele los dos tornillos y apriete los firmemente.

PRECAUCIÓN!
 Asegúrese que el protector secundario este completamente enganchado con el receptor del gancho.



!ADVERTENCIA!
 NUNCA opere la unidad sin el protector del accesorio de corte instalado y asegurado firmemente.

!ADVERTENCIA!
 JAMAS utilice esta maquina sin el protector secundario cuando el cabezal esté en uso.

1. Una la extensión del protector al protector del implemento de corte.

Protector Secundario T22X. (cuando el cabezal está en uso)

!ADVERTENCIA!
 La cuchilla de corte es muy aguda. Use guantes para proteger sus manos.

NOTA:
 Tenga cuidado y no pierda las dos tuercas en el protector del accesorio de corte, las tuercas no están capturadas.

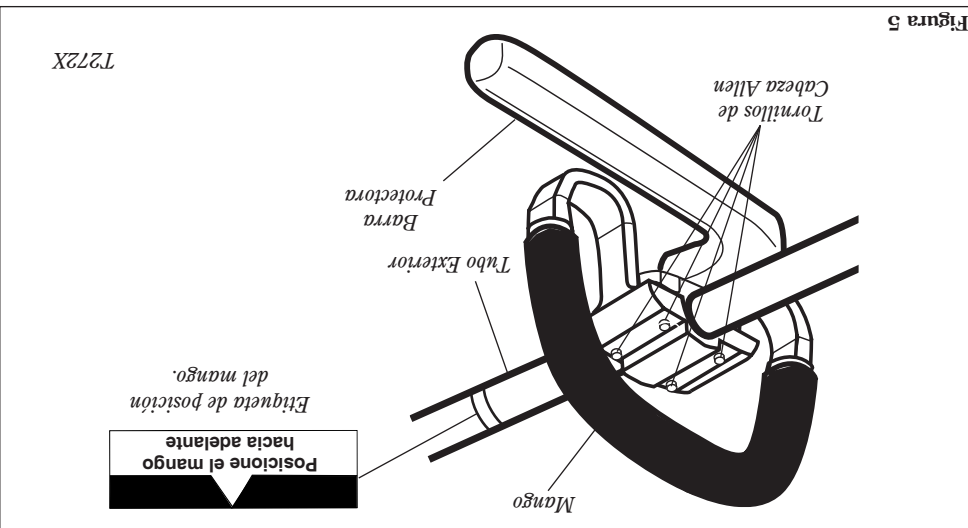
Ensamblaje y Ajustes

Mango T272/T272X

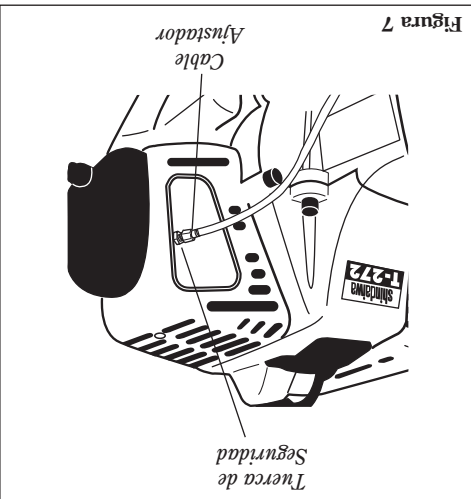
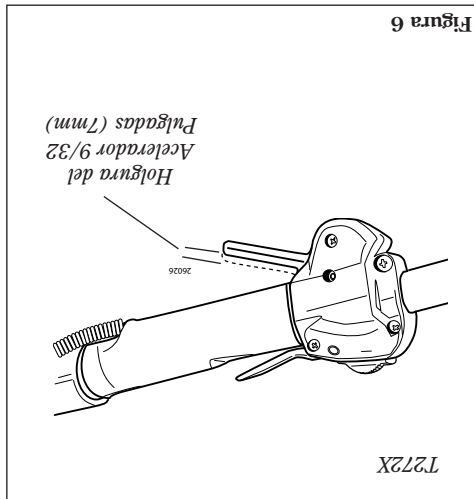
El mango está adjunto al tubo exterior en la T272X.

Para Ajustar el Mango.

1. Aloje los cuatro tornillos de cabeza allen en el mango. Consulte la figura 5.
2. Posicione el mango hacia adelante a la posición más cómoda para el operador (usualmente a 10 pulgadas más allá de la caja del acelerador).
3. Asegure el mango ajustando alternadamente los cuatro tornillos de cabeza allen en forma diagonal o cruzada.



1. Aloje la tuerca de seguridad en el cable ajustador. Consulte la figura 7.
 2. Gire el cable ajustador hacia dentro o fuera como sea requerido para obtener la holgura apropiada 9/32 pulgadas (7 mm). Consulte la figura 7.
 3. Apriete las tuercas de seguridad.
- La holgura del gatillo debe ser aproximadamente de 9/32 pulgadas (7 mm). Consulte la figura 6. Cerciórese que el gatillo de aceleración opere suavemente sin trabarse. Si es necesario ajustar la holgura, siga los procedimientos e ilustraciones a continuación.



Ajuste de la Holgura de la Palanca del Acelerador T272/T272X

Descripción del Producto

Use las ilustraciones como guía para familiarizarse con esta unidad y sus varios componentes. Conociendo mejor la unidad le ayudará a obtener alto rendimiento, mayor vida útil y mejor operación.

¡ADVERTENCIA!
No haga modificaciones o alteraciones no autorizadas a ninguna de estas máquinas ni a sus componentes.

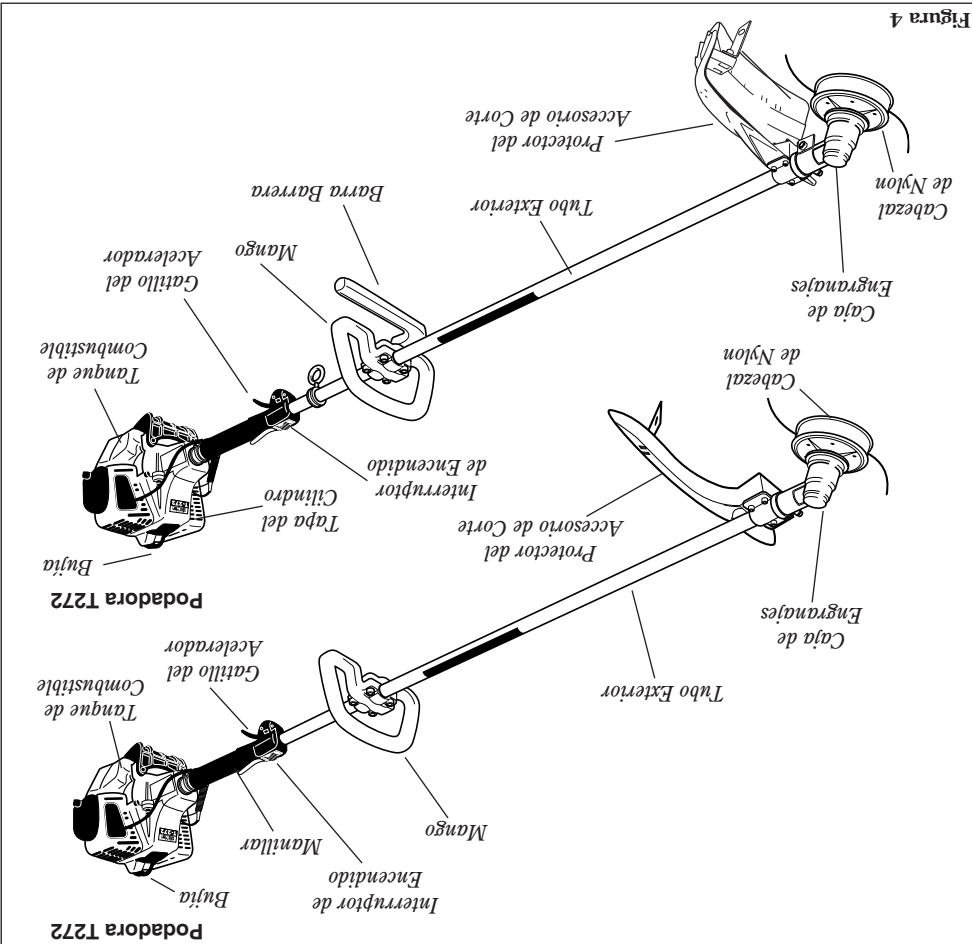


Figura 4

Especificaciones T272/T272X

Código del Motor.....	Motor S272E
Peso sin Combustible T272 (sin accesorios).....	6.7 kg/14.7 libras
Peso sin Combustible T272X (sin accesorios).....	6.7 kg/14.8 libras
Tipo.....	2 tiempos, cilindro vertical, entrado por aire
Díametro x Carrera.....	34 mm x 30 mm
Cilindrada.....	27.2 cc / 1.7 pulg. Cúbicas
Potencia Máxima.....	1.1 kw/1.4 hp
RPM Gama de Operación.....	4,500-9,000 RPM (min ⁻¹)
Tipo de Transmisión.....	Automática, embrague centrífugo con engranajes helicoidales
Combustible/Aceite.....	50:1 con ISO-L-EGD o JASO FC aceite de mezcla de motor 2 tiempos*
Capacidad del Tanque de Combustible.....	670 ml/22.6 onzas
Tipo de Carburador.....	Walbro, tipo diafragma

* Shindaiwa ONE cumple o excede estas especificaciones y es recomendada para todo los productos de Shindaiwa.

Especificaciones sujetas a cambio sin previo aviso.

Esta unidad viene completamente ensamblada con la excepción del accesorio de corte y el protector del accesorio de corte.

Antes de Ensamblar

Antes de ensamblar, cerciórese de que tenga todos los componentes necesarios para armar una máquina completa e inspeccione la unidad y componentes en busca de daños.

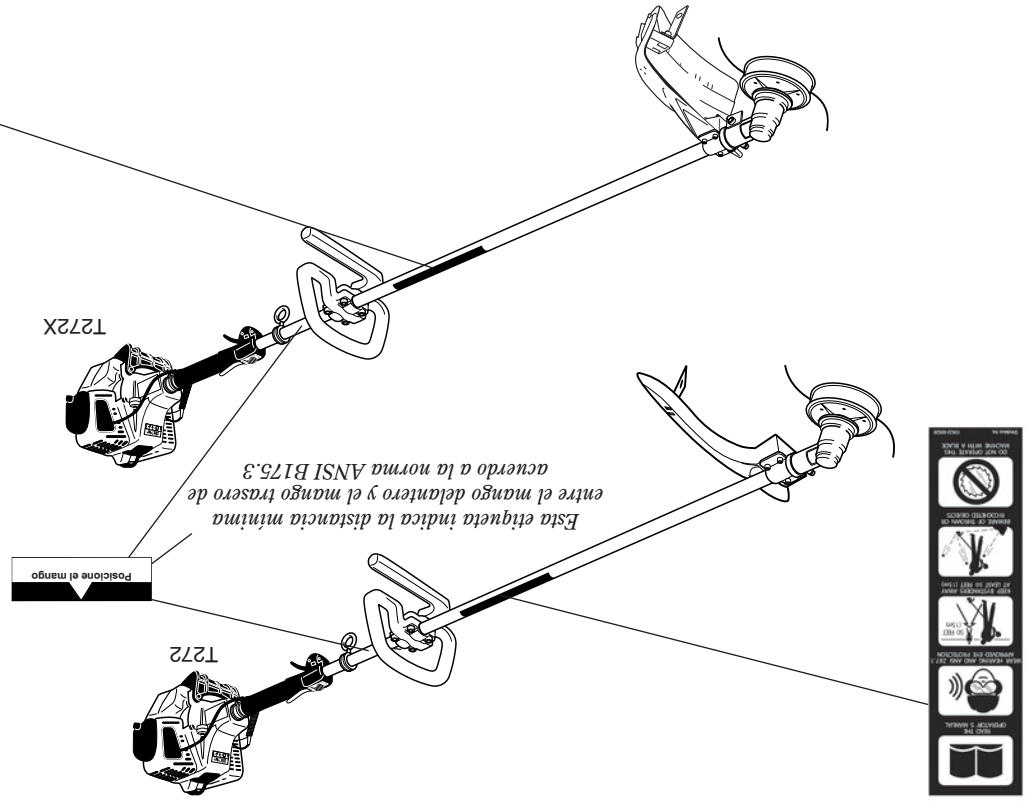
■ Ensamblaje del motor y eje

¡IMPORTANTE!

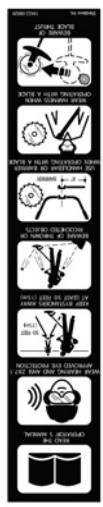
- Protector del Accesorio de Corte
- Accesorio de corte
- Caja conteniendo el soporte y utensilios de metal para montar el protector del accesorio de corte, este manual del propietario/operador y juego de herramientas para mantenimiento rutinario. Las cajas de herramientas varían por modelo y pueden incluir una llave hexagonal, llave bujía y destornillador, y una llave inglesa.

Los términos "izquierda", "mano izquierda-erda", y "LH"; "derecha", "mano derecha", y "RH"; "delantera" y "trasera", indican direcciones desde el punto de vista del operador durante la operación normal de este producto.

Figura 3

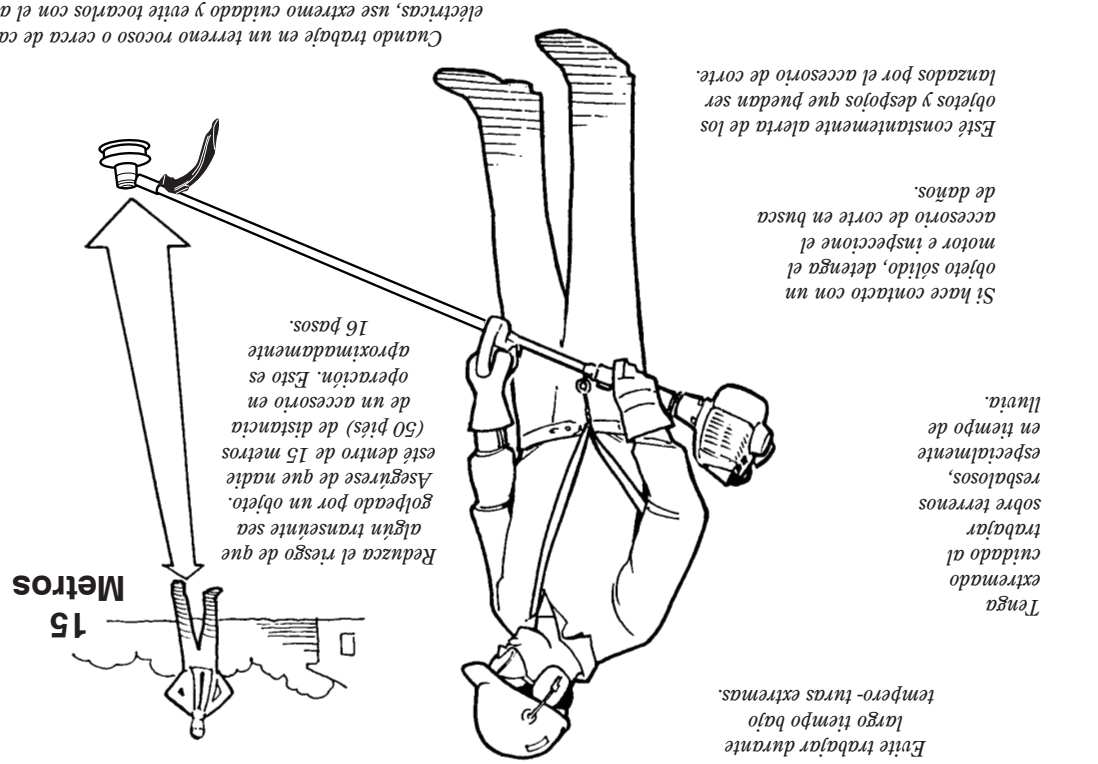


¡IMPORTANTE!
 Etiquetas de Seguridad y de Información de Operación: Asegúrese que toda las etiquetas estén libres de daños y sean legibles. Reemplace inmediatamente etiquetas dañadas o faltantes. Etiquetas nuevas están disponibles en su centro de servicio local autorizado de Shindaiwa.



Etiquetas de Seguridad

Figura 2



Cuando trabaje en un terreno rocoso o cerca de cables o cercas eléctricas, use extremo cuidado y evite tocarlos con el accesorio de corte.

Cerciórese de que los transientes u observadores estén fuera de la "zona de peligro" de 50 pies usen protección de ojos.

Este alerta del disco en rotación cuando corte maleza. Un disco en rotación puede causar lesiones mientras continúa girando después de que el gatillo del acelerador ha sido soltado y después de que el motor ha sido apagado.

Esté Alerta del Area de Trabajo

Instrucciones Generales de Seguridad

Trabaje con cuidado
Podadoras y desmalezadoras operan a velocidades altas y pueden causar daños o lesiones serias si son mal usadas o abusadas. Nunca permita que una persona sin entrenamiento o instrucción opere esta unidad!

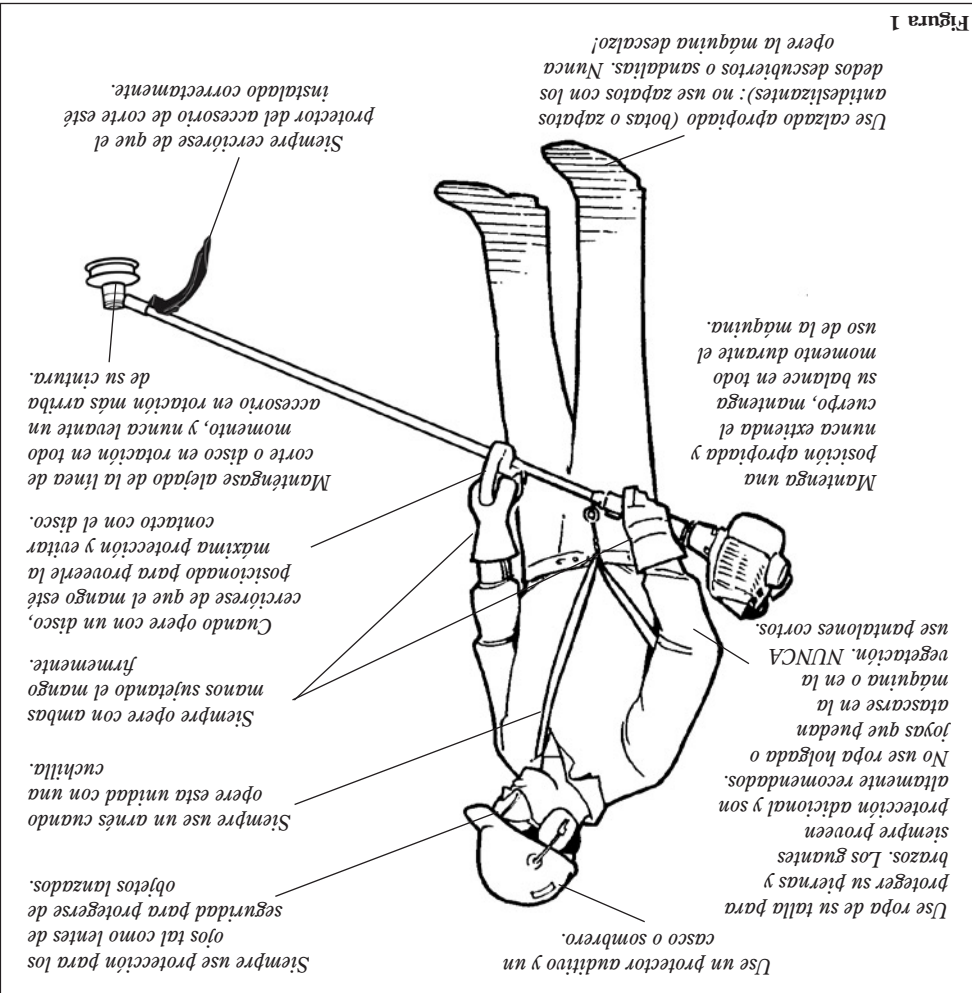
!ADVERTENCIA!
Nunca instale accesorios no autorizados. No use accesorios no aprobados por Shindaiwa en esta unidad.

Mantengase Alerta
Debe de estar físicamente y mentalmente en óptimas condiciones para operar esta máquina con seguridad.

!ADVERTENCIA!
Nunca opere ninguna máquina motorizada si está cansado o si está bajo la influencia de alcohol, drogas o medicamentos o cualquier otra sustancia que pueda afectar su habilidad y juicio.

!ADVERTENCIA!
Riesgo de Incendios.
Nunca fume ni encienda fuegos cerca del motor.
SIEMPRE pare el motor y permita que se enfríe antes de volver a llenar el tanque. Evite sobre llenar el tanque y limpie cualquier derrame de combustible.
SIEMPRE : Inspeccione la máquina por pérdidas de combustible, antes de cada uso. Durante cada llenado, verifique posibles pérdidas alrededor de la tapa o tanque de combustible. Si existen pérdidas de combustible evidentes, pare inmediatamente el motor. Pérdidas de combustible aleje la máquina del área de combustible o de otros materiales inflamables antes de arrancar el motor.
NUNCA coloque materiales inflamables cerca del silenciador de la máquina.
NUNCA opere el motor sin la malla del guardachispas en su lugar.

El Operario Debidamente Equipado



!ADVERTENCIA! Use Buen Juicio

- **SIEMPRE** use protección para los ojos contra objetos lanzados.
- **NUNCA** transporte la unidad con el motor encendido.
- **NUNCA** opere la unidad en un espacio cerrado. Cerciórese que siempre haya buena ventilación. El humo o gases del escape del motor pueden causar serias lesiones o la muerte.
- **SIEMPRE** mantenga su área de trabajo libre de basura u objetos que pueden rebotar contra usted o contra transeúntes.
- **SIEMPRE** use el accesorio de corte apropiado.
- **SIEMPRE** pare el motor inmediatamente si repentinamente empieza a vibrar. Inspeccione el accesorio de corte por partes quebradas, faltantes o instaladas incorrectamente.
- **NUNCA** extienda el cable de nylon más allá de lo especificado para su máquina.
- **SIEMPRE** mantenga la máquina lo más limpia posible. Manténgala libre de vegetación, barro, etc.
- **SIEMPRE** sujete la máquina firmemente con ambas manos y mantenga el control en todo momento.
- **SIEMPRE** mantenga los mangos limpios.
- **SIEMPRE** desconecte el cable de la bujía antes de hacer mantenimiento a la máquina.
- **SIEMPRE**, si el disco se enreda en un corte, apague el motor inmediatamente. Saque la rama o desecho para liberar el disco.

Introducción

La desmaltadora Shindaiwa Serie 272 ha sido diseñada y construida para suministrar un rendimiento superior sin comprometer calidad, comodidad ni durabilidad. Los motores Shindaiwa representan la tecnología líder de motores de alto rendimiento, de poco peso y pequeña cilindrada con excepcional alta potencia. Como propietario/operario, usted no tardará en comprobar que Shindaiwa es la única máquina en esta clase!

!IMPORTANTE! La información contenida en este manual describe unidades disponibles a la fecha de su publicación. Se ha hecho todo lo posible por proveerle la última información sobre su producto Shindaiwa, sin embargo pueden haber algunas diferencias entre su serie 272 y la unidad descrita en este manual. Shindaiwa Inc. se reserva el derecho de realizar cambios a sus productos sin previo aviso, y sin la obligación de hacer modificaciones a máquinas fabricadas previamente.

Contenido	Página
Declaraciones de seguridad.....	2
Instrucciones generales	3
de seguridad	3
Etiquetas de seguridad	4
Descripción del producto	5
Especificaciones	5
Ensamblaje	6
Mezcla de combustible.....	10
Arranque del motor	10
Parada del motor	11
Ajuste de marcha mínima.....	11
Verificación de la condición de la unidad.....	12
Arnes	12
Corte de césped con cabezal	12
Usando un disco (T272X)	13
Mantenimiento	14
Almacenamiento de largo plazo.....	16
Afilado de disco/cuchilla.....	16
Guía diagnóstico.....	17
Garantía del sistema de emisiones.....	20

Declaraciones De Seguridad

A través de este manual se encuentran “declaraciones de seguridad” especiales.

!ADVERTENCIA!

Toda información precedida por un símbolo triangular de advertencia y la palabra **ADVERTENCIA!** contiene información o procedimientos que se deben cumplir para evitar lesiones.

!PRECAUCION!

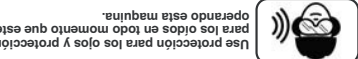
Toda información precedida por la palabra **PRECAUCION!** contiene información que se debe cumplir para evitar daños mecánicos.

!IMPORTANTE!

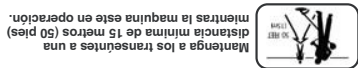
Toda información precedida por la palabra “**IMPORTANTE!**” contiene información especial y significativa.

NOTA:

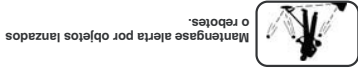
Toda información precedida por la palabra “**NOTA!**” contiene información útil que puede hacer su trabajo más fácil.



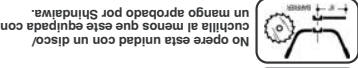
Use protección para los ojos y protección para los oídos en todo momento que este operando esta máquina.



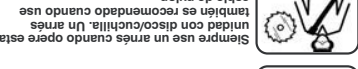
Mantenga a los transeúntes a una distancia mínima de 15 metros (50 pies) mientras la máquina este en operación.



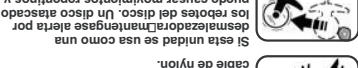
Manténgase alerta por objetos lanzados o rebotes.



No opere esta unidad con un disco/cuchilla al menos que este equipada con un mango aprobado por Shindaiwa.



Siempre use un arnés cuando opere esta unidad con disco/cuchilla. Un arnés también es recomendado cuando use cable de nylon.



Si esta unidad se usa como una desmaltadora, manténgase alerta por los rebotes del disco. Un disco atascado puede causar movimientos repentinos y la máquina.

!IMPORTANTE!

El propósito de los procedimientos operacionales descritos en este manual es ayudarle a obtener el más alto rendimiento de su máquina y proteger a usted y a otras personas de sufrir lesiones. Estos procedimientos son pautas operativas para una operación segura bajo la mayoría de condiciones y no tienen el propósito de sustituir las normas y/o leyes vigentes en su área. Si tiene alguna pregunta relacionada con su Serie 272 o si no entiende alguna información contenida en este manual, consulte a su distribuidor Shindaiwa, quien le atenderá con gusto. También puede comunicarse con Shindaiwa Inc. a la dirección que aparece en la contra portada de este manual.

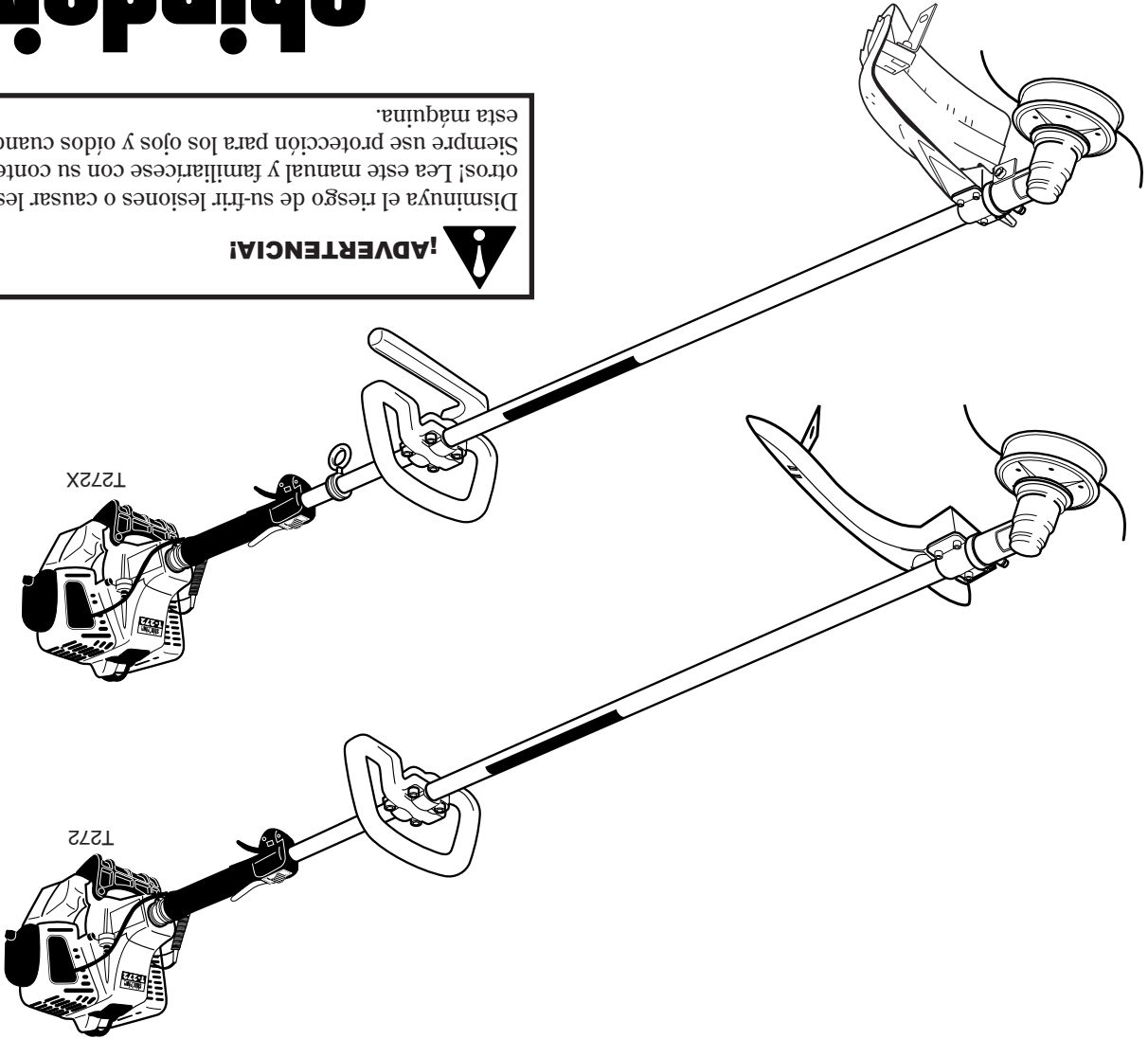
!ADVERTENCIA!

Las emisiones emitidas por el tubo de escape de este producto contienen sustancias químicas que en el estado de California son consideradas como causantes de cáncer, defectos congénitos u otros efectos nocivos a la reproducción humana.

Shindaiwa®

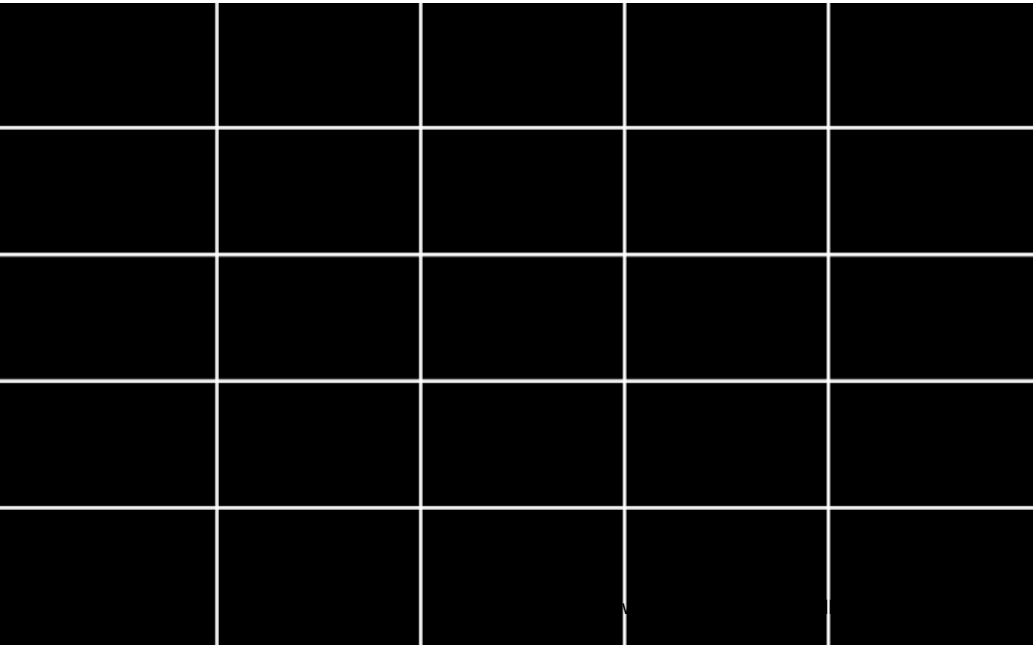
!ADVERTENCIA!

Disminuya el riesgo de sufrir lesiones o causar lesiones a otros! Lea este manual y familiarícese con su contenido. Siempre use protección para los ojos y oídos cuando opere esta máquina.



PODADORA T272 PODADORA T272X

MANUAL DEL PROPIETARIO/OPERADOR SHINDAIWA



Free Manuals Download Website

<http://myh66.com>

<http://usermanuals.us>

<http://www.somanuals.com>

<http://www.4manuals.cc>

<http://www.manual-lib.com>

<http://www.404manual.com>

<http://www.luxmanual.com>

<http://aubethermostatmanual.com>

Golf course search by state

<http://golfingnear.com>

Email search by domain

<http://emailbydomain.com>

Auto manuals search

<http://auto.somanuals.com>

TV manuals search

<http://tv.somanuals.com>