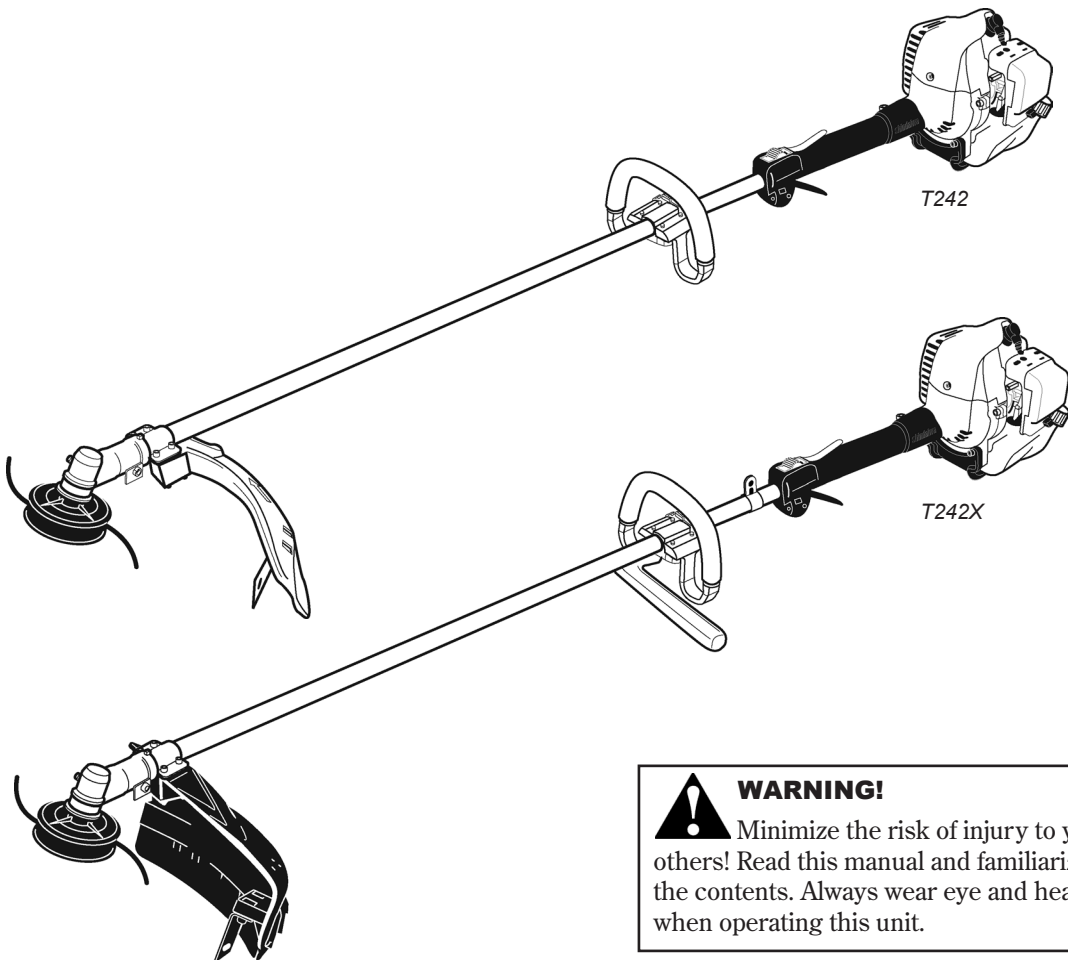


English.....1
Español.....SP_1
Français.....FR_1

SHINDAIWA OWNER'S/OPERATOR'S MANUAL

T242 TRIMMER T242X TRIMMER



WARNING!

Minimize the risk of injury to yourself and others! Read this manual and familiarize yourself with the contents. Always wear eye and hearing protection when operating this unit.

shindaiwa

Part Number 81643 Rev. 1/07

Introduction

The Shindaiwa 242 Series hand held power equipment has been designed and built to deliver superior performance and reliability without compromise to quality, comfort, safety or durability.

Shindaiwa engines represent the leading edge of high-performance engine technology, delivering exceptionally high power with remarkably low displacement and weight. As an owner/operator, you'll soon discover for yourself why Shindaiwa is simply in a class by itself!

IMPORTANT!

The information contained in this owner's/operator's manual describes units available at the time of publication.

Shindaiwa Inc. reserves the right to make changes to products without prior notice, and without obligation to make alterations to units previously manufactured.

WARNING! The engine exhaust from this product contains chemicals known to the State of California to cause cancer, birth defects or other reproductive harm.

Contents

	PAGE
Attention Statements	2
Safety Instructions	2
Safety Labels.....	4
Product Description.....	5
Specifications.....	5
Assembly and Adjustments.....	6
Mixing Fuel	9
Starting the Engine.....	9
Stopping the Engine	10
Adjusting Engine Idle	10
Checking Unit Condition.....	11
Shoulder Strap.....	11
Cutting Grass with a Trimmer Head	11
Using a Blade (T242X)	12
Maintenance	13
Long Term Storage.....	16
Troubleshooting Guide	17
Emission System Warranty.....	19

Attention Statements

Throughout this manual are special "Attention Statements".

WARNING! A statement preceded by the triangular attention symbol and the word "WARNING" contains information that should be acted upon to prevent serious bodily injury.

CAUTION! A statement preceded by the word "CAUTION" contains information that should be acted upon to prevent mechanical damage.

IMPORTANT!

A statement preceded by the word "IMPORTANT" is one that possesses special significance.

NOTE:

A statement preceded by the word "NOTE" contains information that is handy to know and may make your job easier.



Read and follow this operators manual. Failure to do so could result in serious injury.



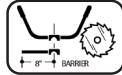
Wear eye and hearing protection at all times during the operation of this unit.



Keep bystanders at least 50 feet (15 m) away during operation.



Beware of thrown or ricocheted objects.



Do not operate this unit with a blade unless the unit is equipped with a Shindaiwa-approved handlebar or barrier.



Always wear a harness when operating this unit with a blade. A harness is also recommended when using trimmer line.



If unit is used as a brushcutter, beware of blade thrust. A jammed blade can cause the unit to jerk suddenly and may cause the operator to lose control of the unit.

IMPORTANT!

The operational procedures described in this manual are intended to help you get the most from this unit as well as to protect you and others from harm. These procedures are guidelines for safe operation under most conditions, and are not intended to replace any safety rules and/or laws that may be in force in your area. If you have questions regarding your 242 series hand held power equipment, or if you do not understand something in this manual, your Shindaiwa dealer will be glad to assist you. You may also contact Shindaiwa, Inc. at the address printed on the back of this Manual.

Safety Instructions

Work Safely

Shindaiwa trimmers operate at very high speeds and can do serious damage or injury if they are misused or abused. *Never allow a person without training or instruction to operate this unit!*

WARNING! Never make unauthorized attachment installations. Do not use attachments not approved by Shindaiwa for use on this unit.

Stay Alert

You must be physically and mentally fit to operate this unit safely.

WARNING! Never operate power equipment of any kind if you are tired or if you are under the influence of alcohol, drugs, medication or any other substance that could affect your ability or judgement.



WARNING! **Minimize the Risk of Fire**

NEVER smoke or light fires near the engine.

ALWAYS stop the engine and allow it to cool before refueling. Avoid overfilling and wipe off any fuel that may have spilled.

ALWAYS inspect the unit for fuel leaks before each use. During each refill, check that no fuel leaks from around the fuel cap and/or fuel tank. If fuel leaks are evident, stop using the unit immediately. Fuel leaks must be repaired before using the unit.

ALWAYS move the unit to a place well away from a fuel storage area or other readily flammable materials before starting the engine.

NEVER place flammable material close to the engine muffler.

NEVER operate the engine without the spark arrester screen in place.

Safety Instructions



WARNING!

Use Good Judgment

ALWAYS wear eye protection to shield against thrown objects.

NEVER run the engine when transporting the unit.

NEVER run the engine indoors! Make sure there is always good ventilation. Fumes from engine exhaust can cause serious injury or death.

ALWAYS clear your work area of trash or hidden debris that could be thrown back at you or toward a bystander.

ALWAYS use the proper cutting tool for the job.

ALWAYS stop the engine immediately if it suddenly begins to vibrate or shake. Inspect for broken, missing or improperly installed parts or attachments.

NEVER extend trimming line beyond the length specified for your unit.

ALWAYS keep the unit as clean as practical. Keep it free of loose vegetation, mud, etc.

ALWAYS hold the unit firmly with both hands when cutting or trimming, and maintain control at all times.

ALWAYS keep the handles clean.

ALWAYS disconnect the spark plug wire before performing any maintenance work.

ALWAYS, if a saw blade should bind fast in a cut, shut off the engine immediately. Push the branch or tree to ease the bind and free the blade.

The Properly Equipped Operator

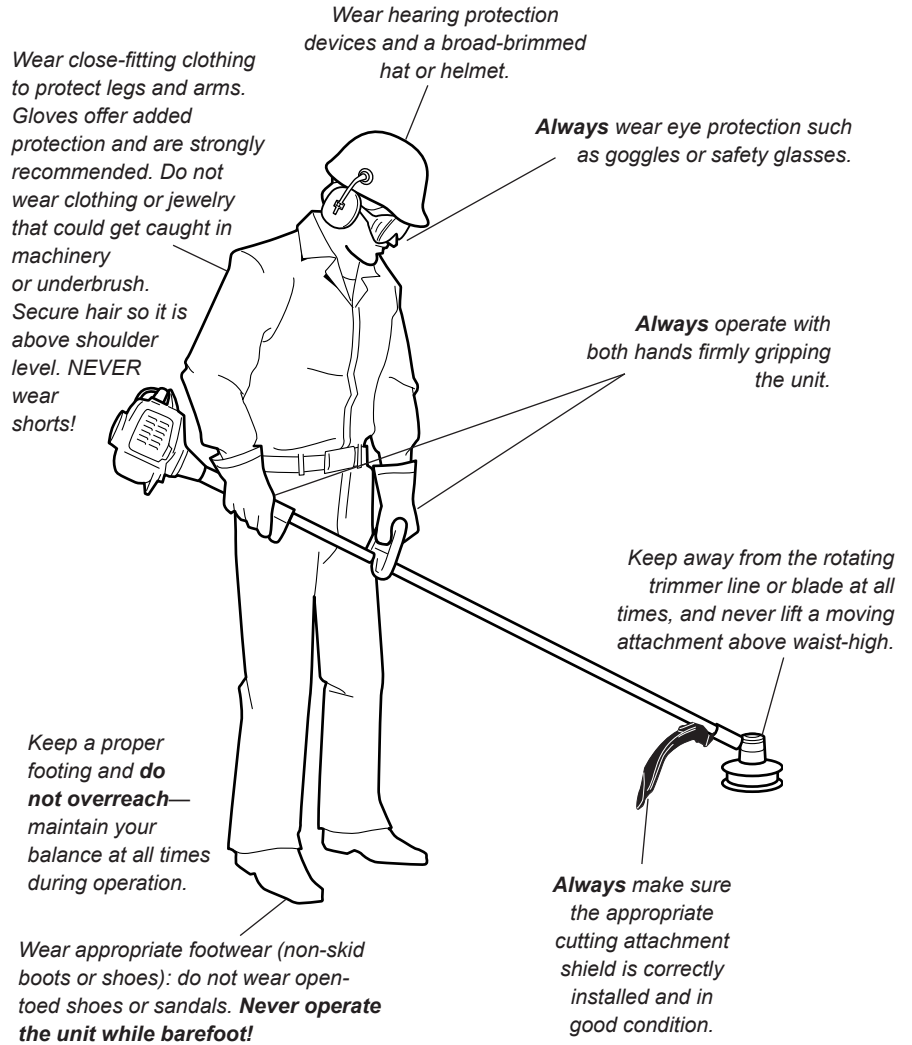


Figure 1

Be Aware of the Working Environment

Avoid long-term operation in very hot or very cold weather.

Make sure bystanders or observers outside the 50-foot "danger zone" wear eye protection.



Reduce the risk of bystanders being struck by flying debris. Make sure no one is within 50 feet (15 meters)—that's about 16 paces—of an operating attachment.

When operating in rocky terrain or near electric wires or fences, use extreme caution to avoid contacting such items with the cutting attachment.

Be extremely careful of slippery terrain, especially during rainy weather.

Always make sure the appropriate cutting attachment shield is correctly installed.

Be constantly alert for objects and debris that could be thrown either from the rotating cutting attachment or bounced from a hard surface.

If contact is made with a hard object, stop the engine and inspect the cutting attachment for damage.

Figure 2

Safety Labels

IMPORTANT

Safety and Operation Information Labels: Make sure all information labels are undamaged and readable. Immediately replace damaged or missing information labels. New labels are available from your local authorized Shindaiwa dealer.



This label indicates the minimum distance between front handle and rear grip per ANSI B175.3.

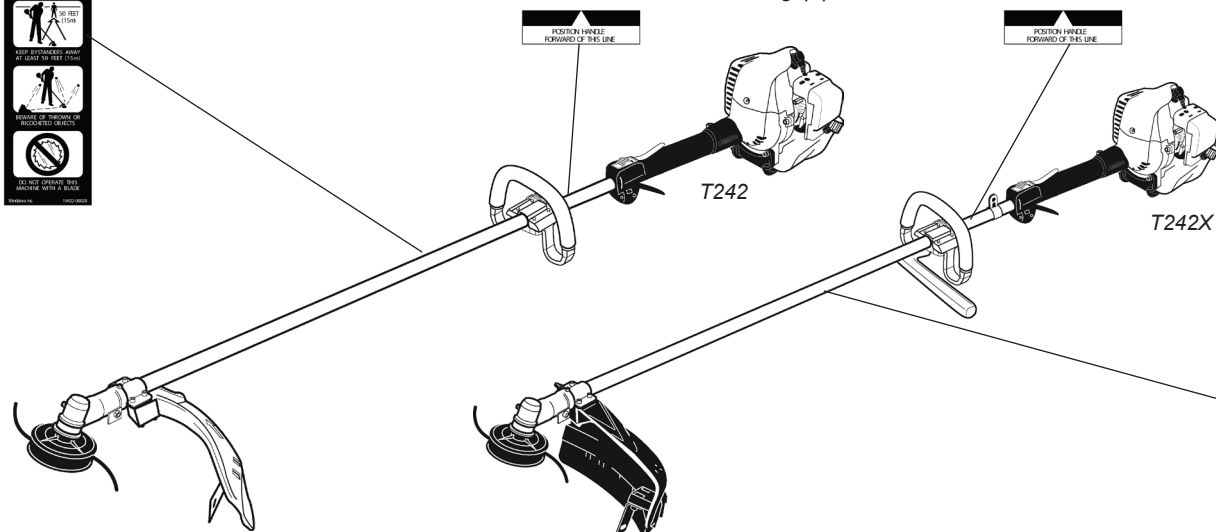


Figure 3

Product Description

Using the accompanying illustrations as a guide, familiarize yourself with this unit and its various components. See Figure 4. Understanding your unit helps ensure top performance, long service life, and safer operation.



WARNING!

Do not make unauthorized modifications or alterations to any of these units or their components.

IMPORTANT!

The terms “left”, “left-hand”, and “LH”; “right”, “right-hand”, and “RH”; “front” and “rear” refer to directions as viewed by the operator during normal operation.

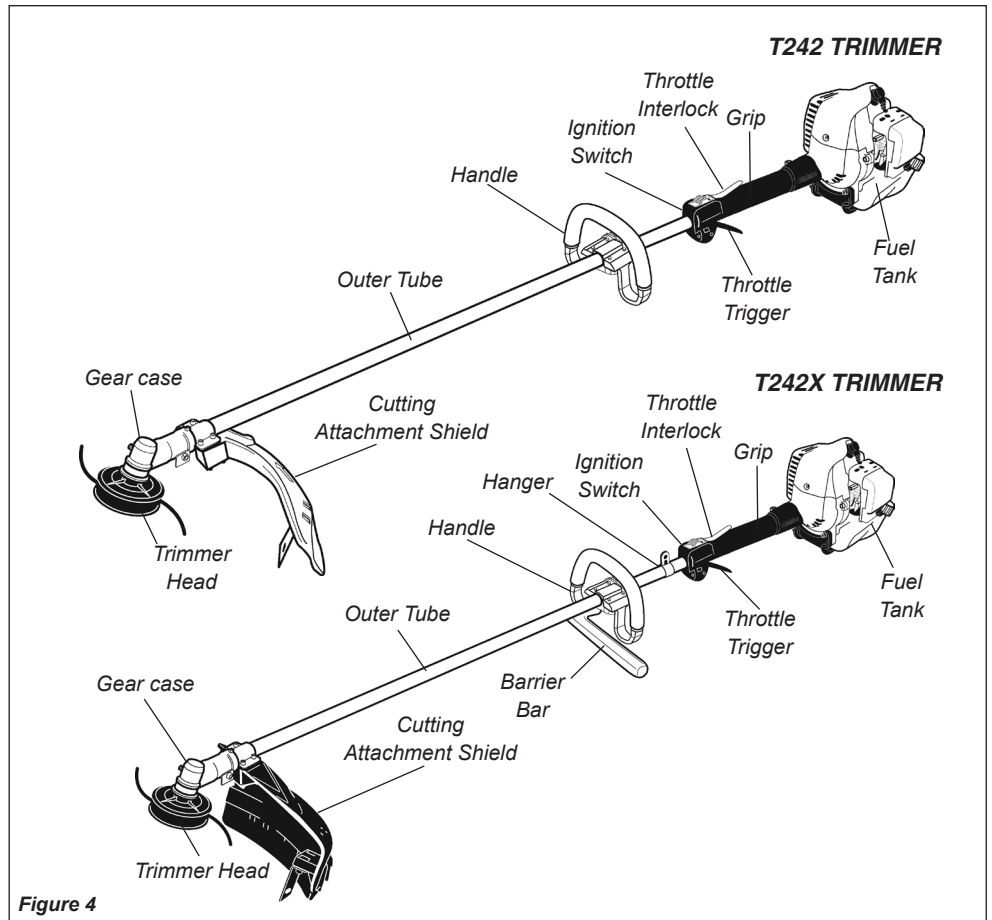


Figure 4

Specifications

T242 dry weight (less cutting attachment).....	11.3 lb./5.1 kg
T242X dry weight (less cutting attachment).....	11.9 lb./5.4 kg
Engine model.....	S242E
Engine type.....	2-cycle catalyst
Bore x stroke.....	1.3 x 1.1 in./33 x 28 mm
Displacement.....	1.5 cu. in./23.9 cc
Maximum power.....	1 HP/0.8 kW @ 8000 rpm (min ⁻¹)
Fuel/oil ratio.....	50:1 with ISO-L-EGD or JASO FC class 2-cycle mixing oil*
Carburetor type.....	Walbro WYK, diaphragm-type
Fuel tank capacity.....	22.3 oz./670 ml
Ignition.....	One-piece electronic, transistor-controlled

Spark plug.....	BPMR6A
Air cleaner type.....	Non-reversible foam filter element
Starting method.....	Recoil
Stopping method.....	Slide switch
Transmission type.....	Automatic, centrifugal clutch w/bevel gear
EPA Emission Compliance Period**.....	Category A



* meets or exceeds these specifications and is recommended for all Shindaiwa products.

** The EPA emission compliance referred to on the emission compliance label located on the engine, indicates the number of operating hours for which the engine has been shown to meet Federal emission requirements. Category C = 50 hours (Moderate), B = 125 hours (Intermediate) and A = 300 hours (Extended).

Specifications are subject to change without notice.

This unit comes fully assembled with the exception of the cutting attachment shield and cutting attachment.

Prior to Assembly

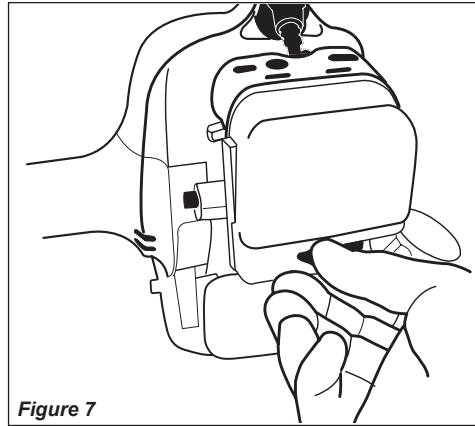
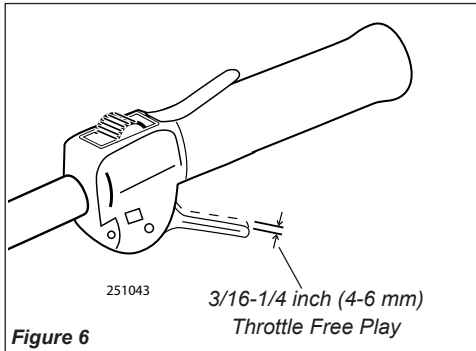
Before assembling, make sure you have all the components required for a complete unit and inspect unit and components for any damage.

- Engine and shaft assembly
- Cutting attachment shield
- Cutting attachment
- Kit containing cutting attachment shield, mounting bracket and hardware, this owner's/operator's manual and tool kit for routine maintenance. Tool kits vary by model and may include a spark plug/screwdriver combination wrench, and a scraper.

Assembly and Adjustments

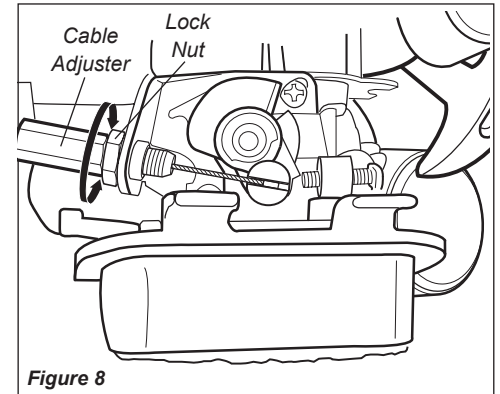
Adjust Throttle Lever Free Play

The throttle lever free play should be approximately 3/16-1/4 inch (4-6 mm). See Figure 6. Make sure that the throttle lever operates smoothly without binding. If it becomes necessary to adjust the lever free play, follow the procedures and illustrations that follow.



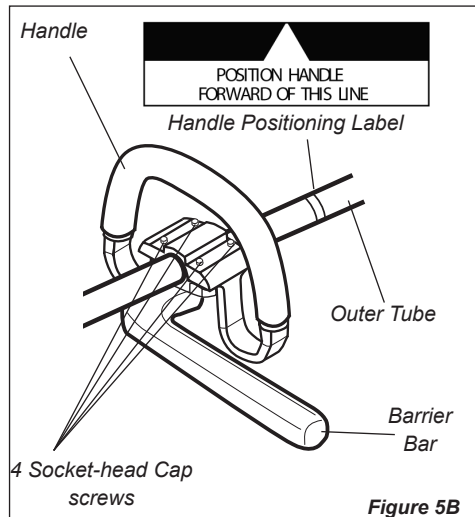
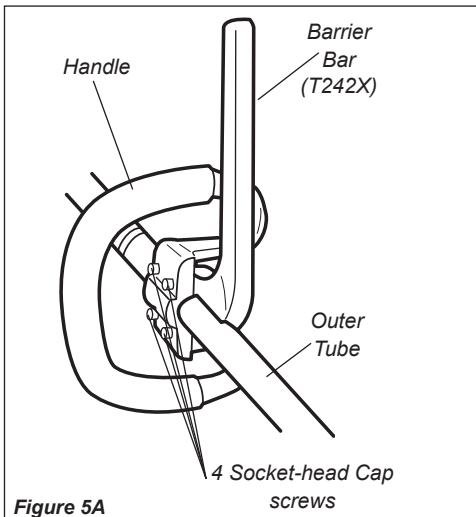
1. Loosen the air cleaner cover knob and remove the air cleaner cover. See Figure 7.
2. Loosen the lock nut on the cable adjuster. See Figure 8.

3. Turn the cable adjuster in or out as required to obtain proper free play 3/16-1/4 inch (4-6 mm). See Figure 8.
4. Tighten the locknut.



5. Reinstall the air cleaner cover.

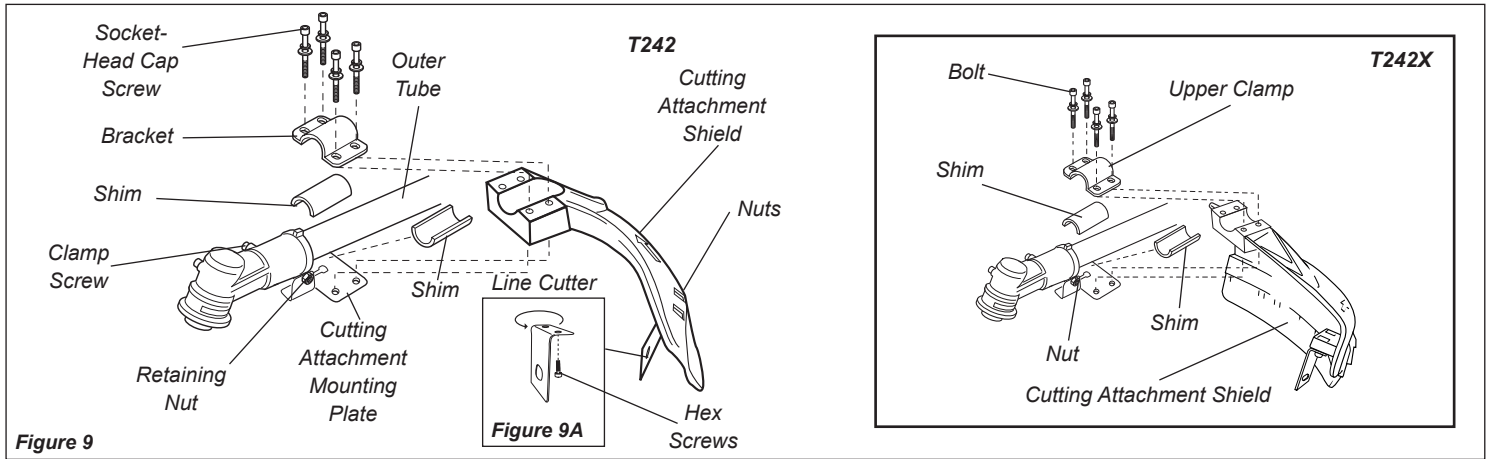
Handle



1. The handle is attached to the outer tube at the factory and positioned vertically. See Figure 5A.
2. Loosen the 4 socket-head cap screws on the handle and rotate the handle 90 degrees. See Figure 5B.
3. Position the handle forward of the Handle Positioning Label at the best position for operator comfort (usually about 10 inches ahead of the throttle housing).
4. Secure the handle by alternately tightening the four socket-head cap screws in a diagonal or "crisscross" fashion.

Assembly and Adjustments

Cutting Attachment Shield



Install the Cutting Attachment Shield T242/T242X.

1. Insert the cutting attachment shield between the outer tube and the cutting attachment mounting plate. See Figure 9.

NOTE:

It may be necessary to loosen the retaining nut and clamp screw to adjust cutting attachment shield mounting plate.

2. Fit the two shims and the bracket over the outer tube and loosely install the four socket-head screws. See Figure 9.

3. Tighten the four socket-head cap screws to secure the cutting attachment shield.
4. Re-tighten clamp screw and retaining nut.



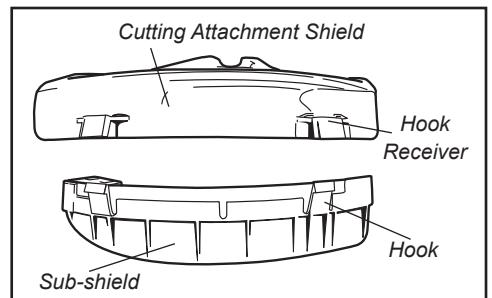
WARNING!

NEVER operate the unit without the cutting attachment shield installed and tightly secured!

Sub-Shield T242X

(when trimmer head is in use)

1. Attach the shield extension to the cutting attachment shield.



CAUTION!

Make sure the sub-shield is completely hooked at the hook receiver.



WARNING!

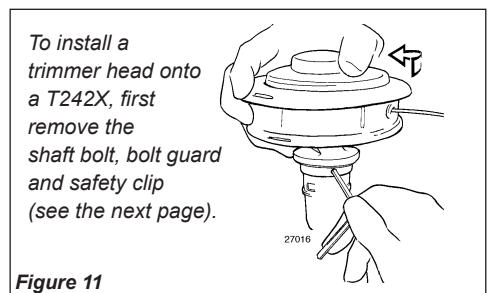
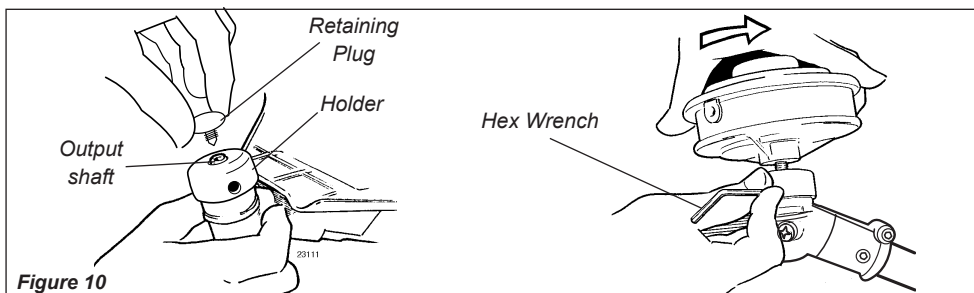
NEVER use this machine without sub-shield when using a trimmer head.

CAUTION!

Make sure the clamp screw and retaining nut are securely tightened before tightening the four socket-head cap screws.

Assembly

Trimmer Head



Install the Trimmer Head.

1. Turn the trimmer over so that the gear case output shaft faces UP.
2. Remove and discard the black plastic protective cap from the output shaft. See Figure 10.
3. Rotate the holder until the hole in the holder aligns with the notch on the gear case. Use the long end of the hex wrench to lock the holder and output shaft. See Figure 10.
4. While holding the hex wrench, thread the trimmer head onto the output shaft, turning counter-clockwise. Using hand pressure only, tighten the trimmer head firmly on the output shaft.

IMPORTANT!

The trimmer head has a left-hand thread. For removal turn the trimmer head clockwise.

5. Remove the hex wrench.
6. Adjust the trimmer line length to reach no further than the line cutter on the cutting attachment shield. Trim to the correct length if necessary.

The unit should now be completely assembled and ready for use with a trimmer head.



WARNING!

A standard grass trimmer with a loop handle should NEVER be operated with blade-type attachments. For blade use the trimmer must be fitted with a bicycle-type handlebar or a barrier bar that is located in front of the operator to reduce the risk of the operator from coming in contact with the cutting attachment (per ANSI B175.3). When using a blade, the unit must also be equipped with a harness or strap.

Assembly Blade T242X

Mount the Blade.

Turn the T242X upside down so the gear case output shaft is facing UP and remove the shaft bolt, bolt guard and holder B from the gear case shaft.

1. Align the hole in blade holder A with the matching hole in the gear case flange and then temporarily lock the output shaft by inserting a hex wrench through both holes. See Figure 12.
2. Fit the blade over the flange on holder A.
3. Install blade holder B on the output shaft. See Figure 13.

CAUTION!

Install the blade so its printed surface is visible to the operator when the brushcutter is in the normal operating position.

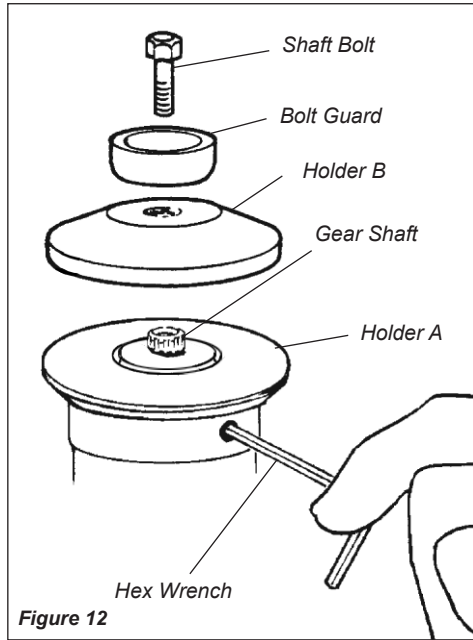


Figure 12

WARNING!

The blade must fit flat against the holder flange. The blade mounting hole must be centered over the raised boss on blade holder A.

WARNING!

Holder B must fit flush against the blade and the splines engaged to the output shaft.

4. Install the bolt guard and then the blade retaining bolt. Using the combination spark plug wrench/screwdriver, tighten the bolt firmly in a counter-clockwise direction.
5. Remove the hex wrench.

The T242X should now be completely assembled and ready for use with a blade.

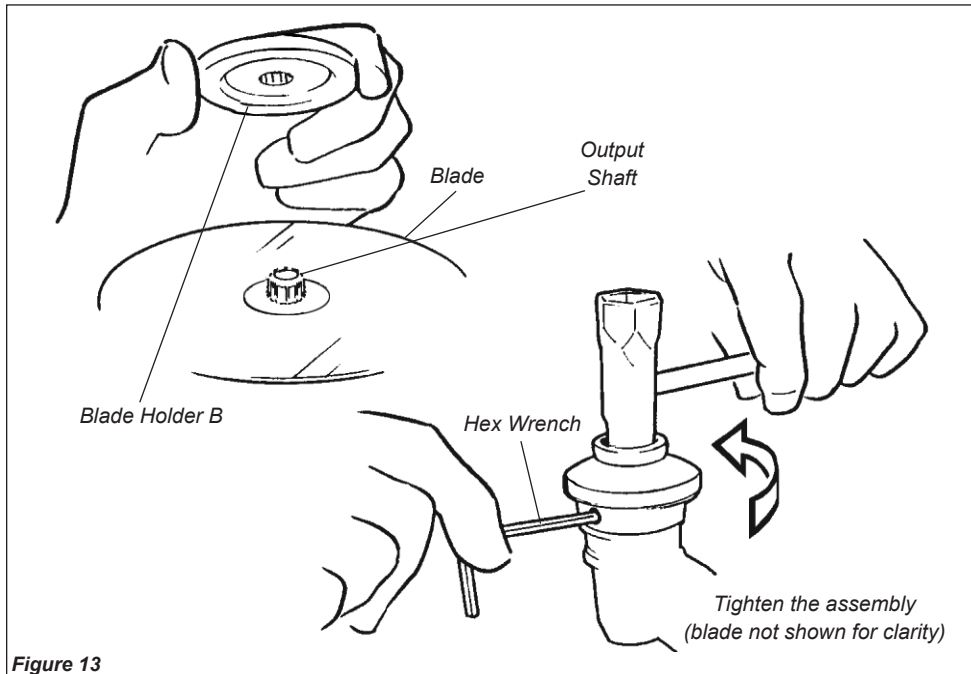


Figure 13

Mixing Fuel

CAUTION!

Some types of gasoline contain alcohol as an oxygenate. Oxygenated gasoline may cause increased operating temperatures. Under certain conditions, alcohol-based gasoline may also reduce the lubricating qualities of some 2-cycle mixing oils. Never use any type of gasoline containing more than 10% alcohol by volume! Generic oils and some outboard oils may not be intended for use in high-performance air cooled 2-cycle engines, and should never be used in your Shindaiwa engine.

CAUTION!

This engine is designed to operate on a 50:1 mixture consisting of unleaded gasoline and ISO-L-EGD or JASO FC class 2-cycle mixing oil only. Use of non-approved mixing oils can lead to excessive carbon deposits.

- Use only fresh, clean unleaded gasoline with a pump octane of 87 or higher.
- Mix all fuel with a 2-cycle air-cooled mixing oil that meets or exceeds ISO-L-EGD and/or JASO FC classified oils at 50:1 gasoline/oil ratio.

Examples of 50:1 mixing quantities

- 1 gallon of gasoline to 2.6 oz. mixing oil
- 5 liters of gasoline to 100 ml. mixing oil

IMPORTANT!

Mix only enough fuel for your immediate needs! If fuel must be stored longer than 30 days and **Shindaiwa ONE** oil with fuel stabilizer is not used, it should first be treated with a fuel stabilizer such as STA-BIL™.

Shindaiwa ONE Oil is a registered JASO FC classified oil and also meets or exceeds ISO-L-EGD performance requirements. Shindaiwa One is recommended for use in all Shindaiwa low emissions engines. Shindaiwa One also includes a fuel stabilizer.

Filling the Fuel Tank

WARNING!

Minimize the risk of fire!

- STOP engine before refueling.
- ALWAYS allow the engine to cool before refueling!
- Wipe all spilled fuel and move the engine at least 10 feet (3 meters) from the fueling point and source before restarting!
- NEVER start or operate this unit if there is a fuel leak.

- NEVER start or operate this unit if the carburetor, fuel lines, fuel tank and/or fuel tank cap are damaged.
- NEVER smoke or light any fires near the engine or fuel source!
- NEVER place any flammable material near the engine muffler!
- NEVER operate the engine without the muffler and spark arrester in good working condition.

1. Place the trimmer on a flat, level surface.
2. Clear any dirt or other debris from around the fuel filler cap.
3. Remove the fuel cap, and fill the tank with clean, fresh fuel.
4. Reinstall the fuel filler cap and tighten firmly.

Starting the Engine

IMPORTANT!!

Engine ignition is controlled by a two position switch mounted on the throttle housing labeled, "I" for ON or START and "O" for OFF or STOP.

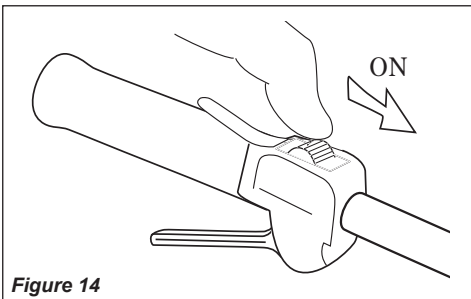


Figure 14

1. Slide the ignition switch to the "I" position. See Figure 14.
2. Press the primer bulb until fuel can be seen flowing in the transparent return tube.

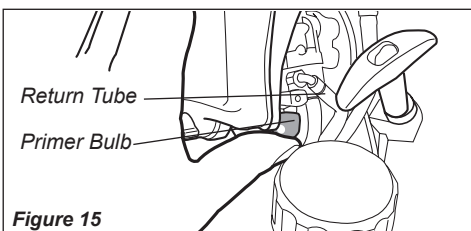


Figure 15

IMPORTANT!

The primer system only pushes fuel through the carburetor. Repeatedly pressing the primer bulb will not flood the engine with fuel.

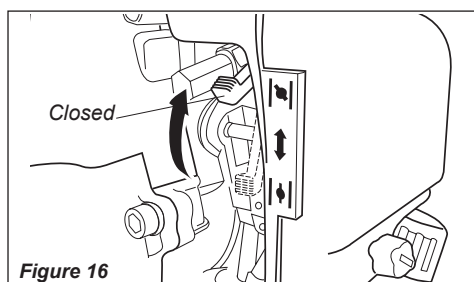


Figure 16

3. Set the choke lever to the CLOSED position if engine is cold.

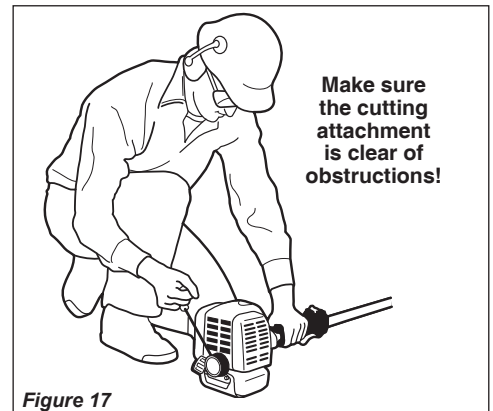


Figure 17

4. While holding the outer tube firmly with left hand. Use your other hand to slowly pull the recoil starter handle until resistance is felt, then pull quickly to start the engine.

CAUTION!

Do not pull the recoil starter to the end of the rope travel. Pulling the recoil starter to the end of the rope travel can damage the starter.

Starting the Engine (continued)



WARNING!

The cutting attachment may rotate when the engine is started!

- When the engine starts, slowly move the choke lever to the "OPEN" position. See Figure 18. (If the engine stops after the initial start, close the choke and restart.)

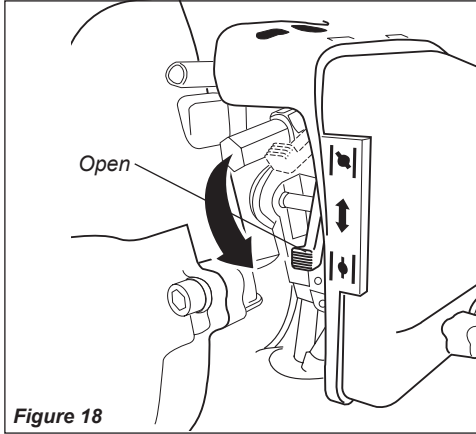


Figure 18



WARNING!

Never start the engine from the operating position.

IMPORTANT!

If the engine fails to start after several attempts with the choke in the closed position, the engine may be flooded with fuel. If flooding is suspected, move the choke lever to the open position and repeatedly pull the recoil starter to remove excess fuel and start the engine. If the engine still fails to start, refer to the troubleshooting section of this manual.

When the Engine Starts...

- After the engine starts, allow the engine to warm up at idle 2 or 3 minutes before operating the unit.
- After the engine is warm, pick up the unit and clip on the shoulder strap if so equipped. See page 11.
- Advancing the throttle makes the cutting attachment turn faster; releasing the throttle permits the attachment to stop turning. If the cutting attachment continues to rotate when the engine returns to idle, carburetor idle speed should be adjusted (see "Adjusting Engine Idle" below).

Stopping the Engine

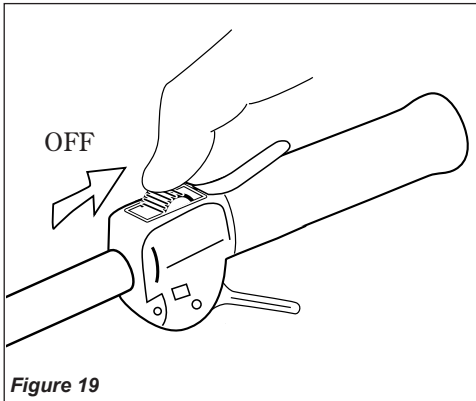


Figure 19

Idle the engine briefly before stopping (about 2 minutes), then slide the ignition switch to the "O" (Engine OFF) position.

Adjusting Engine Idle

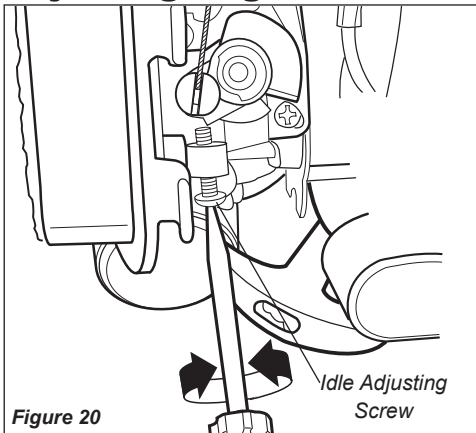


Figure 20

The engine must return to idle speed whenever the throttle lever is released. Idle speed is adjustable, and must be set low enough to permit the engine clutch to disengage the cutting attachment.

Idle Speed Adjustment



WARNING!

The cutting attachment must NEVER rotate at engine idle! If the idle speed cannot be adjusted by the procedure described here, return the trimmer to your Shindaiwa dealer for inspection.

- Place the trimmer on the ground, then start the engine, and then allow it to idle 2-3 minutes until warm.
- If the attachment rotates when the engine is at idle, reduce the idle speed by turning the idle adjustment screw counter-clockwise. See Figure 20.
- If a tachometer is available, the engine idle speed should be final adjusted to 3,000 (± 250) rpm (min^{-1}).
- Carburetor fuel mixture adjustments are preset at factory and cannot be serviced in the field.

Checking Unit Condition

NEVER operate the unit with the cutting attachment shield or other protective devices removed!



WARNING!

A cutting attachment shield or other protective device is no guarantee of protection against ricochet. **YOU MUST ALWAYS GUARD AGAINST FLYING DEBRIS!**

Use only authorized Shindaiwa parts and accessories with your Shindaiwa trimmer. Do not make modifications to this unit without written approval from Shindaiwa, Inc.

Shoulder Strap T242X

Adjust the shoulder strap so the shoulder pad rests comfortably on the off-side shoulder and the cutting path of the cutting attachment is parallel to the ground. Make sure all hooks and adjustment devices are secure.

NOTE:

Although a shoulder strap accessory is not required for use with a grass trimmer, a shoulder strap can increase operator comfort during extended periods of operation. See Figure 21.

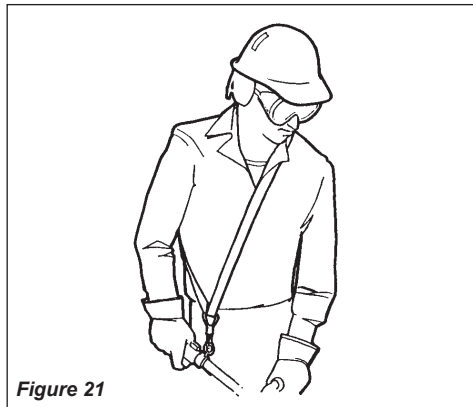


Figure 21

Cutting Grass—Units equipped with a trimmer head

Your Shindaiwa unit may be equipped with one of several Shindaiwa trimmer head models, each with features for specific applications and/or operational requirements.

NOTE:

For proper operation, always refer to the instructions accompanying the trimmer head being used. Available trimmer head styles include:

- **Semi-automatic.** Trimmer line is indexed when the operator taps the trimmer head on the ground during operation.
- **Manual.** The operator indexes line manually with the grass trimmer stopped.
- **Fixed.** The operator must stop the unit and add new lengths of trimmer line manually.
- **Flail.** This device, designed for clearing weeds and light brush, features three nylon blades attached to the head by pivots.

NOTE:

Additional hardware may be required to mount the Fixed Line or the Flail type trimmer heads.

CAUTION!

Do not push the rotating line into trees, wire fences or any material that could tangle or break line ends.

Engine Operating Speeds

Operate the unit at full throttle while cutting grass.

CAUTION!

Operation of trimmer without a cutting attachment shield and using excessive line length can lead to premature clutch failure.

CAUTION!

Operation at low RPM can lead to premature clutch failure.

ALWAYS stop the engine immediately and check for damage if you strike a foreign object or if the unit becomes tangled. Do not operate with broken or damaged equipment.

NEVER allow the engine to run at high RPM without a load. Doing so could damage the engine.

NEVER operate a unit with worn or damaged fasteners or attachment holders.

T242X Operating With A Blade



WARNING!

Always wear a shoulder strap when operating this unit with a blade.

NOTE:

Using a shoulder strap when operating this unit with a blade allows you to maintain proper control of the unit and reduces fatigue during extended operation.

Hold the trimmer so the trimmer head is angled slightly into the area to be cut. To ensure maximum trimmer-line service life, cut only with the tip of the trimmer line. Cut grass by swinging the trimmer from left to right. Keep the trimmer head horizontal. See Figure 22.

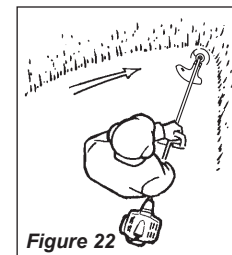


Figure 22

Trimming and Mowing Grass

Edging

Tilt the handle about 100° to the left (from horizontal) and move forward, holding the trimmer vertically as shown in Figure 23.

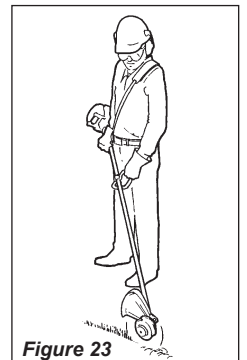


Figure 23

Using a Blade T242X



WARNING!

- Before working with a blade-equipped unit, always inspect and clean the area of objects that could interfere with or damage the blade.
- Never use a blade near sidewalks, fence posts, buildings or other objects that could cause injury or damage.
- Never use a blade for purposes other than those for which it was designed.
- Whenever you strike a hard object with a blade, always stop the brushcutter and carefully inspect the blade for damage. NEVER OPERATE THE BRUSHCUTTER WITH A DAMAGED BLADE!
- A blade-equipped unit must be equipped with a bicycle-type handlebar or barrier bar as well as a harness or shoulder strap.
- Always make sure the cutting attachment shield is properly installed before operating this unit.

Blade Thrust

'Blade thrust' is a sudden sideways or backward motion of the brushcutter. Such motion may occur when the blade jams or catches on an object such as a sapling tree or tree stump. **BE CONSTANTLY ALERT FOR BLADE THRUST AND GUARD AGAINST ITS EFFECTS!**

Brushcutter Handlebar

A brushcutter handlebar or barrier bar helps prevent the operator from moving forward, or the unit moving rearward, thus preventing inadvertent bodily contact with the blade. **ALWAYS KEEP THE HANDLEBAR OR BARRIER BAR SECURELY IN PLACE ON THE UNIT!**

Brushcutter Shoulder Strap

A shoulder strap provides additional protection against blade thrust. In addition, a shoulder strap gives significant support and comfort to help ensure safe and efficient operation.

When operating a T242X with a blade, make sure both the handle and shoulder strap are adjusted to the size of the operator using the unit.

Engine Operating Speeds

Operate the unit at full throttle while cutting. Best fuel efficiency is obtained by releasing the throttle when swinging back after a cut.

- To prevent possible engine damage, do not allow the brushcutter to run at high speeds without a load.
- Avoid operating the engine at low speeds. Doing so can lead to rapid clutch wear. In addition, slow-speed operation tends to cause grass and debris to wrap around the cutting head.

Using a Blade T242X

The blade rotates counter-clockwise. For best performance, move the blade from right to left while advancing on your work. Position the blade so cuts are made between the blade's 8 o'clock and 10 o'clock positions (as viewed from above). **DO NOT** cut between the 10 o'clock and 5 o'clock positions. See figure 24.



WARNING!

When cutting wood with a blade, feed the blade slowly—*never strike or "slam" a spinning blade against the wood.*

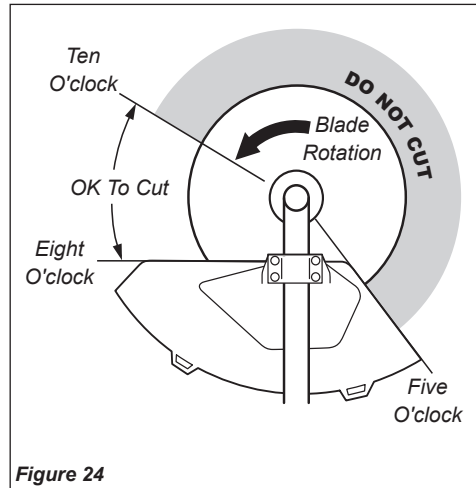


Figure 24



WARNING!

When making vertical cuts, never allow the blade to exceed waist height.



WARNING!

DO NOT use 2-tooth or NON-Shindaiwa approved 4-tooth cutting blades on Shindaiwa trimmers or brushcutters.

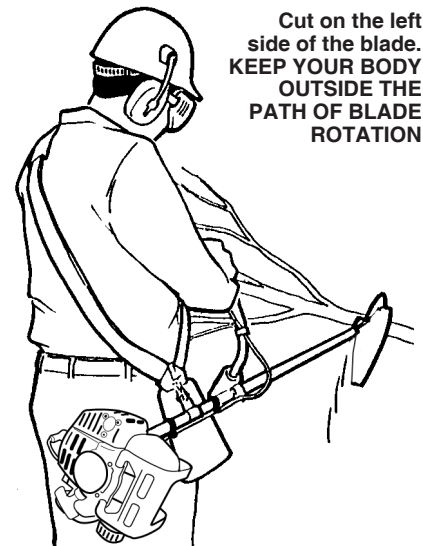


Figure 25

Vertical Cuts

Hold the brushcutter with the blade at a 90° angle to the ground so the blade's bottom edge rotates toward the operator. Move the blade from top to bottom through the cut, and cut *only* with the bottom edge of the blade.

General Maintenance

IMPORTANT!

MAINTENANCE, REPLACEMENT OR REPAIR OF EMISSION CONTROL DEVICES AND SYSTEMS MAY BE PERFORMED BY ANY REPAIR ESTABLISHMENT OR INDIVIDUAL; HOWEVER, WARRANTY REPAIRS MUST BE PERFORMED BY A DEALER OR SERVICE CENTER AUTHORIZED BY SHINDAIWA CORPORATION. THE USE OF PARTS THAT ARE NOT EQUIVALENT IN PERFORMANCE AND DURABILITY TO AUTHORIZED PARTS MAY IMPAIR THE EFFECTIVENESS OF THE EMISSION CONTROL SYSTEM AND MAY HAVE A BEARING ON THE OUTCOME OF A WARRANTY CLAIM.

Blades

Keep blades sharp and check blade condition frequently. If a blade's performance changes suddenly, stop the engine and check the blade for cracks or other damage. Replace a damaged blade IMMEDIATELY!



WARNING!

Before performing any maintenance, repair or cleaning work on the unit, make sure the engine and cutting attachment are completely stopped. Disconnect the spark plug wire before performing service or maintenance work.



WARNING

Non-standard parts may not operate properly with your unit and may cause damage and lead to personal injury.

NOTE:

Using non-standard replacement parts could invalidate your Shindaiwa warranty.

Muffler

This unit must never be operated with a faulty or missing spark arrester or muffler. Make sure the muffler is well secured and in good condition. A worn or damaged muffler is a fire hazard and may also cause hearing loss.

Spark Plug

Keep the spark plug and wire connections tight and clean.

Fasteners

Make sure nuts, bolts, and screws (except carburetor adjusting screws) are tight.



WARNING!

Blades are **not** interchangeable between Shindaiwa edgers and trimmer/brushcutter models. Operating any unit with a blade or attachment not approved for that unit can be hazardous and may cause serious injury.

Never repair a damaged blade by welding, straightening, or by modifying its shape. An altered blade may break during operation, resulting in serious personal injury.

Daily Maintenance

Prior to each work day, perform the following:

- Remove dirt or debris from the engine, check the cooling fins and air cleaner for clogging and clean them as necessary.
- Carefully remove any accumulation of dirt or debris from the muffler or the fuel tank. Dirt build-up in these areas could cause engine overheating, induce premature wear, or create a fire hazard.
- Check for loose or missing screws or components. Make sure the cutting attachment is securely fastened.
- Check the entire unit for leaking fuel or grease.

10-Hour Maintenance

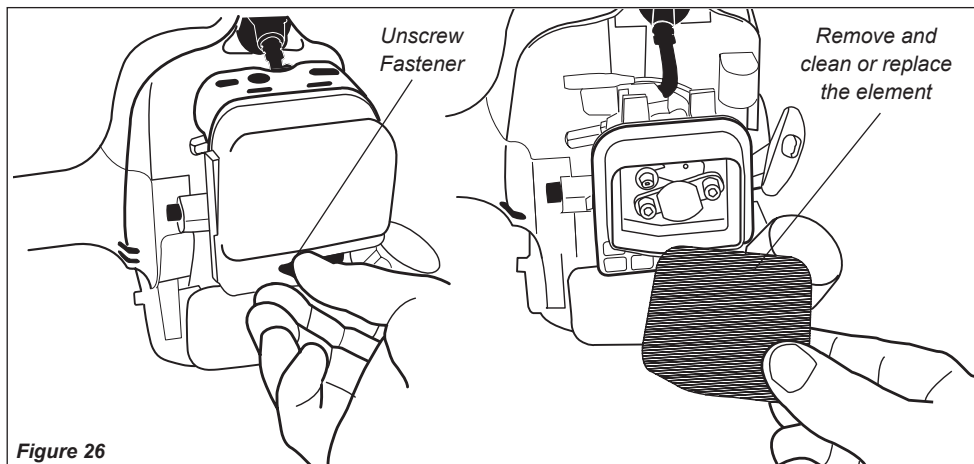


Figure 26

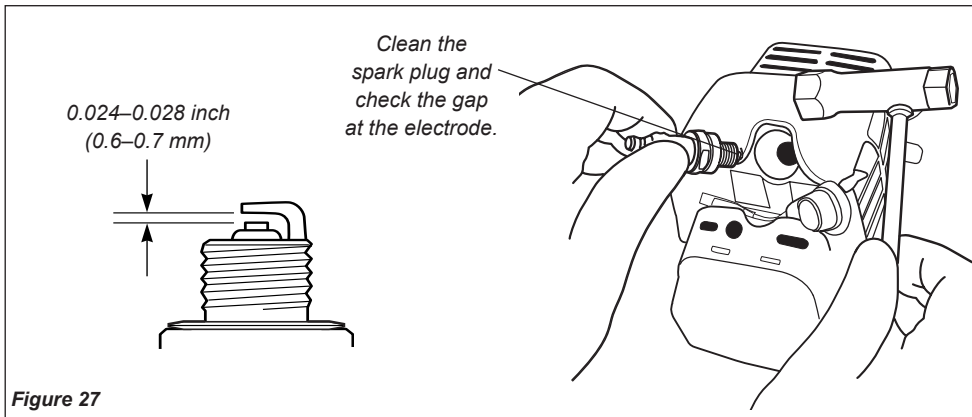
Every 10 hours of operation (more frequently in dusty or dirty conditions):

- Remove the air cleaner element. See Figure 26. Clean or replace as necessary. To clean element: wash it thoroughly in soap and water. Let it dry before reinstalling the element.

CAUTION!

Do not operate the unit if the air cleaner or element is damaged, or if the element is wet.

10/15-Hour Maintenance



Every 10 to 15 hours of operation:

- Remove and clean the spark plug. Adjust the spark plug electrode gap to 0.024–0.028 inch (0.6–0.7 mm). If the spark plug must be replaced, use only an BPMR6A or equivalent resistor type spark plug of the correct heat range. See Figure 27.

NOTE:

The BPMR6A also meets the requirements for electro magnetic compliance (EMC).

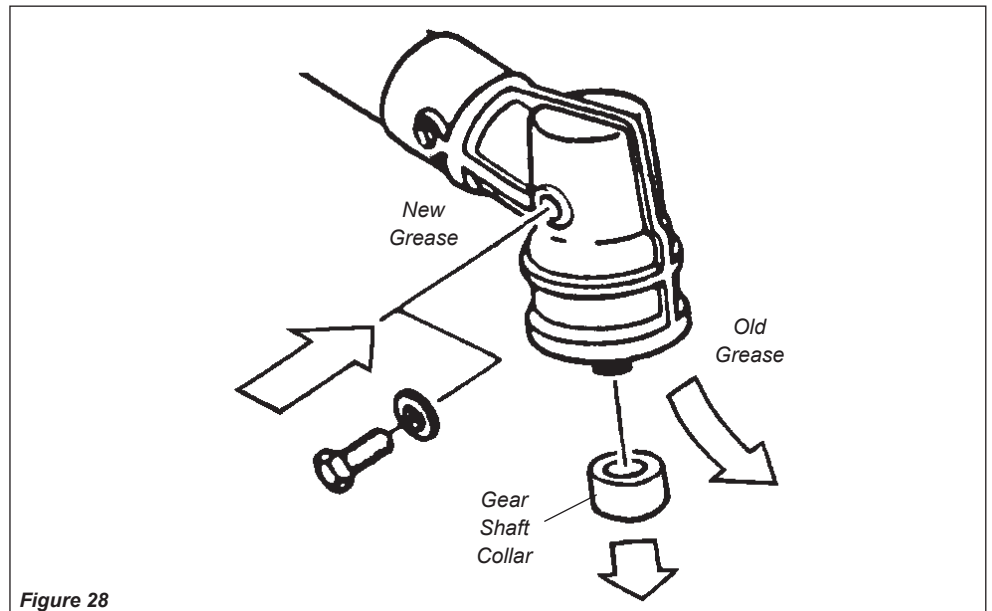
CAUTION!

Before removing the spark plug, clean the area around the plug to prevent dirt and debris from getting into the engine's internal parts.

50-Hour Maintenance

Every 50 hours of operation (more frequently in dusty or dirty conditions):

- Remove and clean the cylinder cover and clean grass and dirt from the cylinder fins.
- Remove the cutting attachment, cutting attachment holder and gear shaft collar. Remove the filler plug from the side of the gear case and press new grease into the gear case until old grease is pushed out. Use only lithium-base grease such as Shindaiwa Gear Case Lubricant or equivalent. See Figure 28.
- Remove mainshaft and lubricate both ends of the splines.
- Use a hooked wire to extract the fuel filter from inside the fuel tank. See Figure 29.

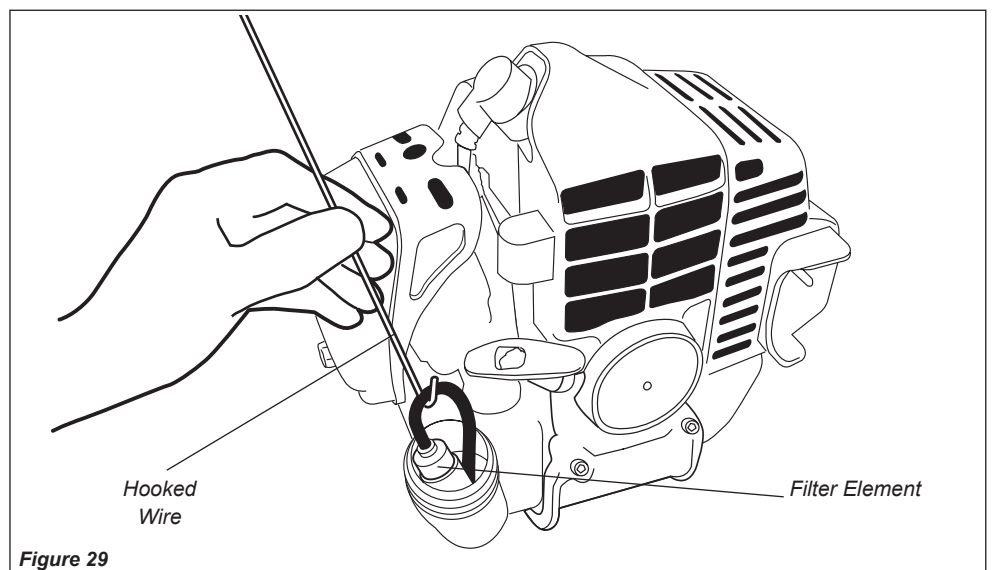


CAUTION!

Make sure you do not pierce the fuel line with the end of the hooked wire. The line is delicate and can be damaged easily.

Remove and replace the filter element.

Before reinstalling the new filter element, inspect the condition of all the fuel system components (fuel pick-up line, fuel return line, tank vent line, tank vent, fuel cap and fuel tank). If damage, splitting or deterioration is noted, the unit should be removed from service until it can be inspected or repaired by a Shindaiwa-trained service technician.



135-hour Maintenance

Every 135 hours of operation, remove and clean the muffler.



WARNING!

Never operate this trimmer with a damaged or missing muffler or spark arrester! Operating with missing or damaged exhaust components is a fire hazard, and can also damage your hearing!

1. Remove the spark plug boot.
2. With a 3 mm hex wrench remove the 1 muffler cover and 3 engine cover screws and the engine cover. See Figure 30.
3. With a Phillips type screwdriver remove the 5 screws holding the spark arrester screen and cover to the muffler. See Figure 30.
4. Remove the screen and clean it with a stiff bristle brush.
5. With a 4 mm hex wrench remove the 3 muffler bolts and the muffler. See Figure 30.
6. Inspect the cylinder exhaust port for any carbon buildup.
7. Gently tap the muffler on a wood surface to dislodge any loose carbon.

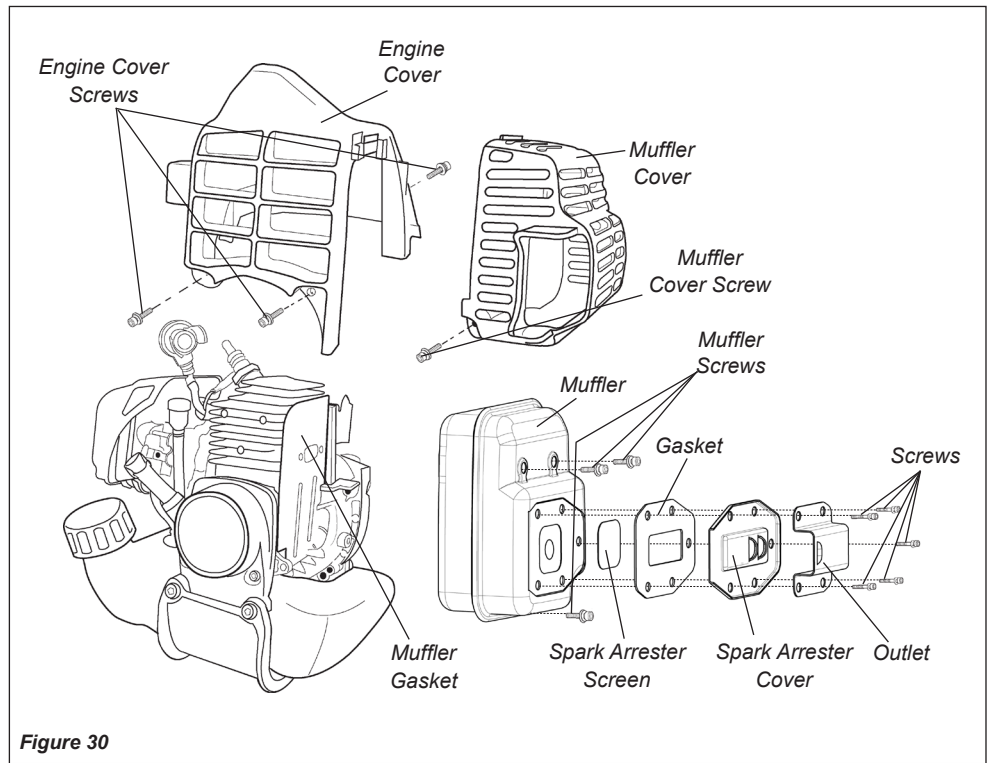


Figure 30

IMPORTANT!

If you note excessive carbon buildup, consult with an authorized Shindaiwa servicing dealer.


8. Reassemble the spark arrester, muffler and engine cover in the reverse order of disassembly.

Long Term Storage

Whenever the unit will not be used for 30 days or longer, use the following procedures to prepare it for storage:

- Clean external parts thoroughly.
- Drain all the fuel from the fuel tank.

IMPORTANT!

All stored fuels should be stabilized with a fuel stabilizer such as STA-BIL™, if  oil with fuel stabilizer is not used.

CAUTION!

Gasoline stored in the carburetor for extended periods can cause hard starting and could also lead to increased service and maintenance cost.

- Remove the remaining fuel from the fuel lines and carburetor.
1. Prime the primer bulb until no more fuel is passing through.
 2. Start and run the engine until it stops running.
 3. Repeat steps 1 and 2 until the engine will no longer start.

- Remove the spark plug and pour about 1/4 ounce of 2-cycle mixing oil into the cylinder through the spark plug hole. Slowly pull the recoil starter 2 or 3 times so oil will evenly coat the interior of the engine. Reinstall the spark plug.
- Before storing the unit, repair or replace any worn or damaged parts.
- Remove the air cleaner element from the carburetor and clean it thoroughly with soap and water. Let dry and reassemble the element.
- Store the unit in a clean, dust-free area.

Blade Sharpening

When the cutting edges of the blade become dull, they can be resharpened with a few strokes of a file.

In order to keep the blade in balance, all cutting edges must be sharpened equally.

Shindaiwa Tornado™ Blade

To sharpen the cutters on a Shindaiwa Tornado™ Blade, use a 7/32-inch round file. File the leading edge of each tooth to a razor edge. The top plate of each tooth should angle back 30°.

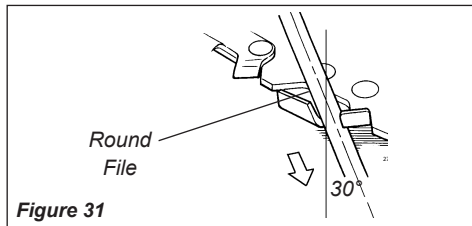


Figure 31



WARNING!

Sharpen only the cutting teeth of a blade. DO NOT alter the contour of the blade in any way.

Multiple-tooth Circular Blade

Use a round file to maintain a radius of 0.04 to 0.06" (1 to 1.5 mm) at the base of each tooth. Cutting edges must be offset equally on each side.

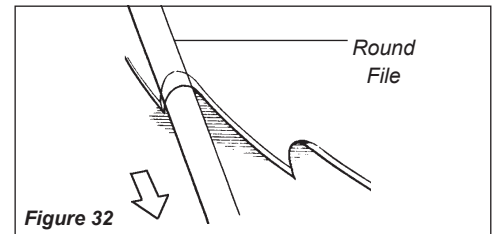


Figure 32

Troubleshooting Guide

ENGINE DOES NOT START

What To Check	Possible Cause	Remedy
Does the engine crank?	NO → Faulty recoil starter. Fluid in the crankcase. Internal damage.	Consult with an authorized servicing dealer.
YES ↓		
Good compression?	NO → Loose spark plug. Excess wear on cylinder, piston, rings.	Tighten and re-test. Consult with an authorized servicing dealer.
YES ↓		
Does the tank contain fresh fuel of the proper grade?	NO → Fuel incorrect, stale or contaminated; mixture incorrect.	Refill with fresh, clean unleaded gasoline with a pump octane of 87 or higher mixed with a 2-cycle air cooled mixing oil that meets or exceeds ISO-L-EGD and/or JASO FC classified oils at 50:1 gasoline/oil ratio.
YES ↓		
Is fuel visible and moving in the return line when priming?	NO → Check for clogged fuel filter and/or vent. Priming pump not functioning properly.	Replace fuel filter or vent as required; restart. Consult with an authorized servicing dealer.
YES ↓		
Is there spark at the spark plug wire terminal?	NO → The ignition switch is in "O" (OFF) position. Shorted ignition ground. Faulty ignition unit.	Move switch to "I" (ON) position and restart. Consult with an authorized servicing dealer.
YES ↓		
Check the spark plug.	→ If the plug is wet, excess fuel may be in the cylinder. The plug is fouled or improperly gapped. The plug is damaged internally or of the wrong size.	Crank the engine with the plug removed, reinstall the plug, and restart. Clean and regap the plug to 0.024 - 0.028 inch (0.6 - 0.7 mm). Restart. Replace the plug with an BP6A or equivalent resistor type spark plug of the correct heat range. Set spark plug electrode gap to 0.024-0.028 inch (0.6-0.7 mm).

LOW POWER OUTPUT

What To Check	Possible Cause	Remedy
Is the engine overheating?	→ Operator is overworking the unit. Carburetor mixture is too lean. Improper fuel ratio. Fan, fan cover, cylinder fins dirty or damaged. Carbon deposits on the piston or in the muffler.	Shorten trimmer line. Cut at a slower rate. Consult with an authorized servicing dealer. Refill with fresh, clean unleaded gasoline with a pump octane of 87 or higher mixed with a 2-cycle air cooled mixing oil that meets or exceeds ISO-L-EGD and/or JASO FC classified oils at 50:1 gasoline/oil ratio. Clean, repair or replace as necessary. Consult with an authorized servicing dealer.
Engine is rough at all speeds. May also have black smoke and/or unburned fuel at the exhaust.	→ Clogged air cleaner element. Loose or damaged spark plug. Air leakage or clogged fuel line. Water in the fuel. Piston seizure. Faulty carburetor and/or diaphragm.	Service the air cleaner element. Tighten or replace. Replace the plug with an BP6A or equivalent resistor type spark plug of the correct heat range. Repair or replace filter and/or fuel line. Replace the fuel. See page 9. Consult with an authorized servicing dealer.
Engine is knocking.	→ Overheating condition. Improper fuel. Carbon deposits in the combustion chamber.	See above. Check fuel octane rating; check for presence of alcohol in the fuel (pg. 9). Refuel as necessary. Consult with an authorized servicing dealer.

Troubleshooting Guide (continued)

ADDITIONAL PROBLEMS

Symptom	Possible Cause	Remedy
Poor acceleration.	Clogged air filter.	Clean the air filter.
	Clogged fuel filter.	Replace the fuel filter.
	Lean fuel/air mixture.	Consult with an authorized servicing dealer.
	Idle speed set too low.	Adjust: 3,000 (± 250) RPM (min^{-1}).
Engine stops abruptly.	Switch turned off.	Reset the switch and restart.
	Fuel tank empty.	Refuel. See page 9.
	Clogged fuel filter.	Replace fuel filter.
	Water in the fuel.	Drain; replace with clean fuel. See page 9.
	Shorted spark plug or loose terminal.	Clean and replace spark plug, tighten the terminal.
	Ignition failure.	Replace the ignition unit.
	Piston seizure.	Consult with an authorized servicing dealer.
Engine difficult to shut off.	Ground (stop) wire is disconnected or switch is defective.	Test and replace as required.
	Overheating due to incorrect spark plug.	Idle engine until cool. Clean and regap the plug to 0.024 - 0.028 inch (0.6 - 0.7 mm). Correct plug: BPMP6A or equivalent resistor type spark plug of the correct range.
	Overheated engine.	Idle engine until cool.
Cutting attachment rotates at engine idle.	Engine idle too high.	Set idle: 3,000 (± 250) RPM (min^{-1}).
	Broken clutch spring or worn clutch spring boss.	Replace spring/shoes as required, check idle speed.
	Loose attachment holder.	Inspect and re-tighten holders securely.
Engine will not idle down.	Engine idle set too high.	Set idle: 3,000 (± 250) RPM (min^{-1}).
	Engine has an air leak.	Consult with an authorized servicing dealer.

ADDITIONAL PROBLEMS

Symptom	Possible Cause	Remedy
Excessive vibration.	Warped or damaged cutting attachment.	Inspect and replace attachment as required.
	Loose gearcase.	Tighten gearcase securely.
	Bent main shaft/worn or damaged bushings.	Inspect and replace as necessary.
	Trimmer line not wound properly on spool.	Rewind trimmer line.
Cutting attachment will not rotate.	Shaft not installed in powerhead or gearcase.	Inspect and reinstall as required.
	Broken shaft.	Consult with an authorized servicing dealer.
	Damaged gearcase.	

The following statement only applies to United States and its territories

Shindaiwa Corporation

Federal Emission Design And Defect Limited Warranty Utility And Lawn And Garden Engines

Shindaiwa Corporation warrants to the initial purchaser and each subsequent owner, that this utility equipment engine (herein engine) is designed, built and equipped to conform at the time of initial sale, to all applicable regulations of the U.S. Environmental Protection Agency (EPA), and that the engine is free of defects in materials and workmanship that would cause this engine to fail to conform with EPA regulations during its warranty period. This emission warranty is applicable in all States, except the State of California.

For parts listed under PARTS COVERED, the dealer authorized by Shindaiwa Corporation will, at no cost to you, make the necessary diagnosis, repair, or replacement of any defective emission-related component to ensure that the engine complies with applicable U.S. EPA regulations.

MANUFACTURERS WARRANTY COVERAGE

When sold within the U.S., this engine's emission control system is warranted for a period of two (2) years from the date this product is first delivered to the original retail purchaser.

OWNER'S WARRANTY RESPONSIBILITIES

As the engine owner, you are responsible for the performance of the required maintenance listed in your owner's manual. Shindaiwa Corporation recommends that you retain all receipts covering maintenance on your engine, but Shindaiwa Corporation cannot deny a warranty claim solely for the lack of receipts or for your failure to ensure the performance of all scheduled maintenance.

As the engine owner, you should however be aware that Shindaiwa Corporation may deny your warranty coverage if your engine or a part has failed due to abuse, neglect, improper maintenance or unapproved modifications.

You are responsible for presenting your engine to the nearest dealer authorized by Shindaiwa Corporation when a problem exists.

If your Shindaiwa Dealer is unable to answer questions regarding your warranty rights and responsibilities, you should then contact your Shindaiwa Distributor.

For the name and telephone number of the Shindaiwa Distributor in your area, please call Shindaiwa Inc. at (503) 692-3070 between the hours of 8:00 AM and 5:00 PM Pacific Standard Time.

PARTS COVERED

Listed below are the parts covered by the Federal Emission Design and Defect Warranty. Some parts listed below may require scheduled maintenance and are warranted up to the first scheduled replacement of that part. The warranted parts include:

1. Carburetor Internal Components
 - Valve Assembly-throttle, Jet, Metering Diaphragm
2. Ignition System Components
 - Ignition Coil
 - Flywheel Rotor

The emission control system for your particular Shindaiwa engine may also include certain related hoses and connectors.

LIMITATIONS

The Federal Emission Design and Defect Warranty shall not cover any of the following:

- (a) conditions resulting from tampering, misuse, improper adjustment (unless they were made by the dealer or service center authorized by Shindaiwa Corporation during a warranty repair), alteration, accident, failure to use the recommended fuel and oil, or not performing required maintenance services,
- (b) the replacement parts used for required maintenance services,
- (c) consequential parts used for required maintenance services,
- (d) diagnosis and inspection fees that do not result in eligible warranty service being performed, and
- (e) any non-authorized replacement part, or malfunction of authorized parts due to use of non-authorized parts.

MAINTENANCE AND REPAIR REQUIREMENTS

You are responsible for the proper use and maintenance of the engine. You should keep all receipts and maintenance records covering the performance of regular maintenance in the event questions arise. These receipts and maintenance records should be transferred to each subsequent owner of the engine. Shindaiwa Corporation reserves the right to deny warranty coverage if the owner has not properly maintained the engine. Shindaiwa Corporation will not deny warranty repairs, however, solely because of the lack of repair, maintenance or failure to keep maintenance records.

MAINTENANCE, REPLACEMENT OR REPAIR OF EMISSION CONTROL DEVICES AND SYSTEMS MAY BE PERFORMED BY ANY REPAIR ESTABLISHMENT OR INDIVIDUAL; HOWEVER, WARRANTY REPAIRS MUST BE PERFORMED BY A DEALER OR SERVICE CENTER AUTHORIZED BY SHINDAIWA CORPORATION THE USE OF PARTS THAT ARE NOT EQUIVALENT IN PERFORMANCE AND DURABILITY TO AUTHORIZED PARTS MAY IMPAIR THE EFFECTIVENESS OF THE EMISSION CONTROL SYSTEM AND MAY HAVE A BEARING ON THE OUTCOME OF A WARRANTY CLAIM.

If other than the parts authorized by Shindaiwa Corporation are used for maintenance replacements or for the repair of components affecting emission control, you should assure yourself that such parts are warranted by their manufacturer to be equivalent to the parts authorized by Shindaiwa Corporation in their performance and durability.

OBTAINING WARRANTY SERVICE

All repairs qualifying under this limited warranty must be performed by a dealer authorized by Shindaiwa Corporation

If any emission-related part is found defective during the warranty period, it is your responsibility to present the product to an authorized Shindaiwa dealer. Bring your sales receipts showing the date of purchase for this engine. The dealer authorized by Shindaiwa Corporation will perform the necessary repairs or adjustments within a reasonable amount of time and furnish you with a copy of the repair order. All parts and accessories replaced under this warranty become the property of Shindaiwa Corporation

To locate an authorized Shindaiwa dealer near you, contact your Shindaiwa Distributor. For the name and telephone number of the Shindaiwa Distributor in your area, please call Shindaiwa Inc. at (503) 692-3070 between the hours of 8:00 AM and 5:00 PM Pacific Standard Time.

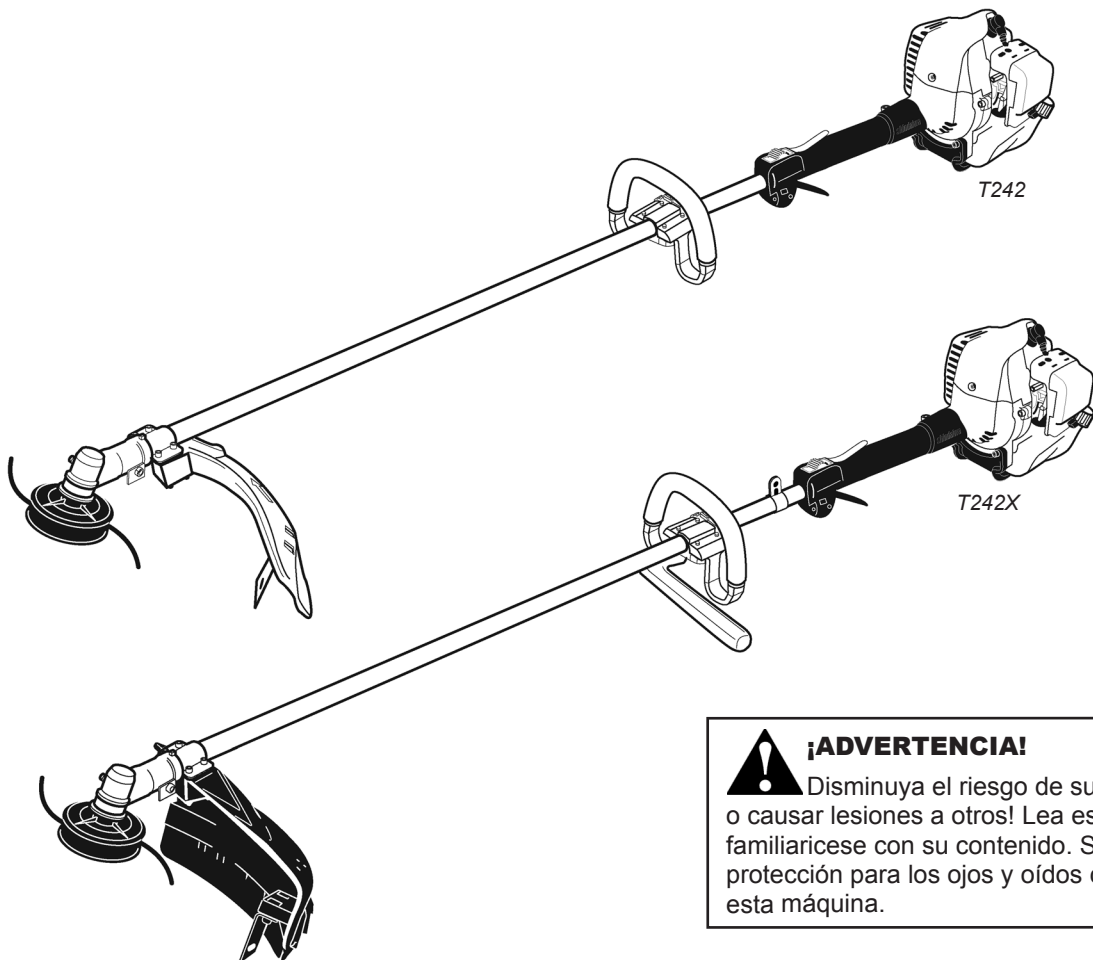
THIS WARRANTY IS ADMINISTERED BY

Shindaiwa Inc.
11975 S.W. Herman Rd.
Tualatin OR. 97062
(503) 692-3070

MANUAL DEL PROPIETARIO/OPERADOR SHINDAIWA

PODADORA T242

PODADORA T242X



¡ADVERTENCIA!

Disminuya el riesgo de sufrir lesiones o causar lesiones a otros! Lea este manual y familiarícese con su contenido. Siempre use protección para los ojos y oídos cuando opere esta máquina.

shindaiwa

Part Number 81643 Rev. 1/07

Introducción

La desmalezadora Shindaiwa Serie 242 ha sido diseñada y construida para suministrar un rendimiento superior sin comprometer calidad, comodidad ni durabilidad.

Los motores Shindaiwa representan la tecnología líder de motores de alto rendimiento, de poco peso y pequeña cilindrada con excepcional alta potencia. Como propietario/operario, usted no tardará en comprobar que Shindaiwa es la única máquina en esta clase!

¡IMPORTANTE!

La información contenida en este manual describe unidades disponibles a la fecha de su publicación.

Shindaiwa Inc. se reserva el derecho de realizar cambios a sus productos sin previo aviso, y sin la obligación de hacer modificaciones a máquinas fabricadas previamente.

CONTENIDO

PÁGINA

Declaraciones de seguridad.....	2
Información de seguridad	2
Etiquetas de seguridad	4
Descripción del producto	5
Especificaciones.....	5
Ensamblaje y ajustes.....	6
Combustible.....	9
Arranque del motor	9
Parada del motor	10
Ajuste de marcha mínima.....	10
Verificación de la condición de la unidad.....	11
Correa de arnés.....	11
Corte de césped con cabezal	11
Usando un disco (T242X).....	12
Mantenimiento	13
Almacenamiento de largo plazo.....	16
Guía diagnóstico.....	17
Garantía del sistema de emisiones.....	19

Declaraciones de Seguridad

A través de este manual se encuentran "declaraciones de seguridad" especiales.



¡ADVERTENCIA!

Toda información precedida por un símbolo triangular de advertencia y la palabra ¡ADVERTENCIA! contiene información o procedimientos que se deben cumplir para evitar lesiones.

PRECAUCIÓN!

Toda información precedida por la palabra PRECAUCIÓN! contiene información que se debe cumplir para evitar daños mecánicos.

¡IMPORTANTE!

Toda información precedida por la palabra "¡IMPORTANTE!" contiene información especial y significante.

NOTA:

Toda información precedida por la palabra "NOTA" contiene información útil que puede hacer su trabajo más fácil.



Lea y siga las recomendaciones de este manual del operario. De no hacerlo podría resultar en lesiones graves.



Use protección para los ojos y protección para los oídos en todo momento que este operando esta máquina.



Mantenga a los transeúntes a una distancia mínima de 15 metros (50 pies) mientras la máquina este en operación.



Manténgase alerta por objetos lanzados o rebotes.



No opere esta unidad con un disco/cuchilla al menos que este equipada con un mango aprobado por Shindaiwa.



Siempre use un arnés cuando opere esta unidad con disco/cuchilla. Un arnés también es recomendado cuando use cable de nylon.



Si esta unidad se usa como una desmalezadora, manténgase alerta por los rebotes del disco. Un disco atascado puede causar movimientos repentinos y puede que el operador pierda control de la máquina.

¡IMPORTANTE!

El propósito de los procedimientos operacionales descritos en este manual es ayudarle a obtener el más alto rendimiento de su máquina y proteger a usted y a otras personas de sufrir lesiones. Estos procedimientos son pautas operativas para una operación segura bajo la mayoría de condiciones y no tienen el propósito de sustituir las normas y/o leyes vigentes en su área. Si tiene alguna pregunta relacionada con su Serie 242 o si no entiende alguna información contenida en este manual, consulte a su distribuidor Shindaiwa, quien le atenderá con gusto. También puede comunicarse con Shindaiwa Inc. a la dirección que aparece en la contra portada de este manual.

Instrucciones de Seguridad

Trabaje con cuidado

Podadoras Shindaiwa operan a velocidades altas y pueden causar daños o lesiones serias si son mal usadas o abusadas. *Nunca permita que una persona sin entrenamiento o instrucción opere esta unidad!*



¡ADVERTENCIA!

Nunca instale accesorios no autorizados. No use accesorios no aprobados por Shindaiwa en esta unidad.

Manténgase alerta

Usted debe estar en óptimas condiciones física y mental para operar esta máquina en forma segura.



¡ADVERTENCIA!

Nunca opere ninguna maquinaria motorizada si está cansado o si está bajo la influencia de alcohol, drogas o medicamentos o cualquier otra sustancia que pueda afectar su habilidad y juicio.



¡ADVERTENCIA!

Las emisiones emitidas por el tubo de escape de este producto contienen sustancias químicas que en el estado de California son consideradas como causantes de cáncer, defectos congénitos u otros efectos nocivos a la reproducción humana.



¡ADVERTENCIA!

Disminuya El Riesgo de Incendios

NUNCA fume ni encienda fuegos cerca del motor.

SIEMPRE pare el motor y permita que se enfrie antes de volver a llenar el tanque. Evite sobre llenar el tanque y limpie cualquier derrame de combustible.

SIEMPRE: Inspeccione la máquina por pérdidas de combustible, antes de cada uso. Durante cada llenado, verifique posibles pérdidas alrededor de la tapa o tanque de combustible. Si existen pérdidas de combustible evidentes, pare inmediatamente el motor. Pérdidas de combustible deben de ser reparadas antes de cada uso.

SIEMPRE aleje la máquina del área de combustible o de otros materiales inflamables antes de arrancar el motor.

NUNCA coloque materiales inflamables cerca del silenciador de la máquina.

NUNCA opere el motor sin la malla del guardachispas en su lugar.

Instrucciones de Seguridad El Operario Debidamente Equipado



¡ADVERTENCIA!

Use Buen Juicio

SIEMPRE use protección para los ojos como escudo contra objetos lanzados.

NUNCA opere el motor cuando transporte la unidad.

NUNCA opere la unidad en el interior! Cerciórese que siempre haya buena ventilación. El humo o gases del escape del motor pueden causar serias lesiones o la muerte.

SIEMPRE mantenga su area de trabajo libre de basura u objetos que pueden rebotar contra usted o contra transeúntes.

SIEMPRE use el accesorio de corte apropiado.

SIEMPRE pare el motor inmediatamente si repentinamente empieza a vibrar. Inspeccione el accesorio de corte por partes quebradas, faltantes o instaladas incorrectamente.

NUNCA extienda el cable de nylon más allá de lo especificado para su máquina.

SIEMPRE mantenga la máquina lo más limpia posible. Manténgala libre de vegetación, barro, etc.

SIEMPRE sujete la máquina firmemente con ambas manos cuando corte o recorte, y mantenga el control en todo momento.

SIEMPRE mantenga los mangos limpios.

SIEMPRE desconecte el cable de bujía antes de hacer mantenimiento a la máquina.

SIEMPRE, si el disco/cuchilla se enreda en un corte, apague el motor inmediatamente. Saque la rama o árbol para liberar el disco/cuchilla.

Use ropa de su talla para proteger su piernas y brazos. Los guantes siempre proveen protección adicional y son altamente recomendados. No use ropa holgada o joyas que puedan atascarse en la máquina o en la vegetación. Amárrese el cabello largo de tal forma que esté sobre el nivel de los hombros. **NUNCA** use pantalones cortos.

Use un protector auditivo y un casco o sombrero.

Siempre use protección para los ojos tal como lentes de seguridad para protegerse de objetos lanzados.

Siempre opere con ambas manos sujetando el mango firmemente.

Manténgase alejado de la línea de corte o disco en rotación en todo momento, y nunca levante un accesorio en rotación más arriba de su cintura.

Mantenga una posición segura y nunca extienda el cuerpo- mantenga su balance en todo momento durante el uso de la máquina.

Use calzado apropiado (botas o zapatos antideslizantes): no use zapatos con los dedos descubiertos o sandalias. **NUNCA** opere la máquina descalzo!

Siempre cerciórese de que el protector del accesorio de corte esté instalado correctamente y que esté en buena condición.

Figura 1

Esté Alerta del Area de Trabajo

Evite trabajar durante largo tiempo bajo temperaturas muy calientes o muy frías.

Cerciórese de que los transeúntes u observadores estén fuera de la "zona de peligro" de 50 pies usen protección de ojos.

Tenga mucho cuidado al trabajar sobre terrenos resbalosos, especialmente en tiempo de lluvia.

Si hace contacto con un objeto sólido, detenga el motor e inspeccione el accesorio de corte en busca de daños.

Esté constantemente alerta de los objetos y despojos que puedan ser lanzados por el accesorio de corte o rebotados.

Siempre cerciórese de que el protector del accesorio de corte esté correctamente instalado.

Cuando trabaje en un terreno rocoso o cerca de cables o cercas eléctricas, use extremo cuidado y evite tocarlos con el accesorio de corte.

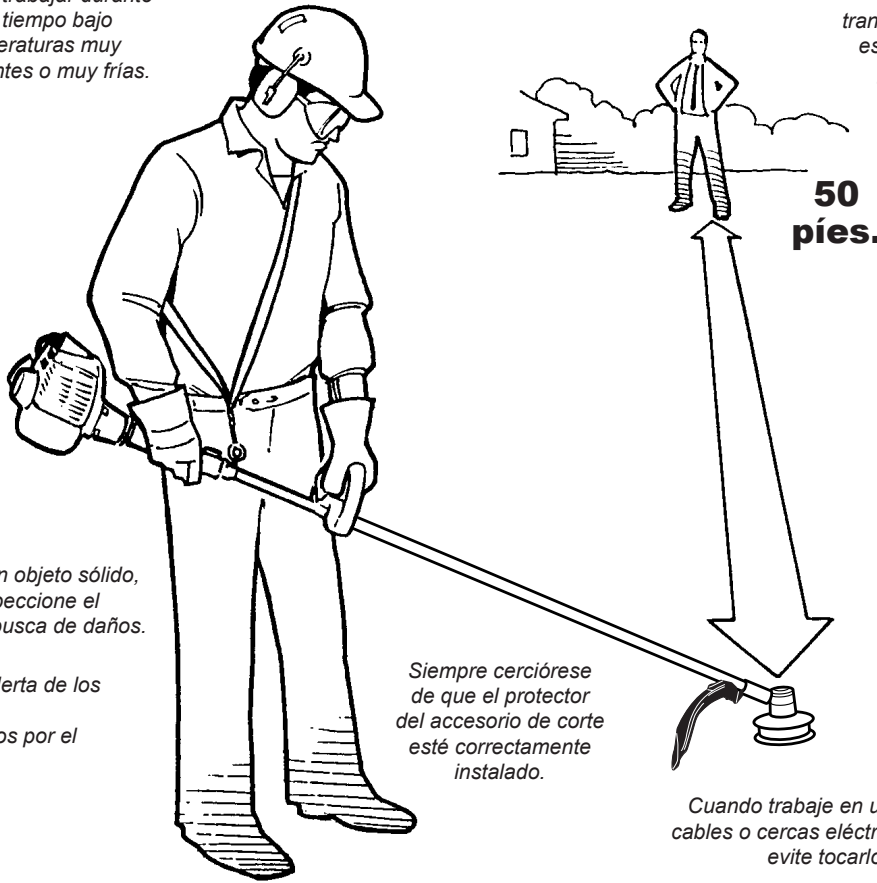


Figura 2

Etiquetas de Seguridad

¡IMPORTANTE!

Información de Operación: Asegurese que toda las etiquetas estén libres de daños y legibles. Reemplace inmediatamente etiquetas dañadas o faltantes. Etiquetas nuevas están disponibles en su centro de servicio local autorizado de Shindaiwa.

Esta etiqueta indica la distancia mínima entre el mango delantero y el mango trasero de acuerdo a la norma ANSI B175.3



POSITION HANDLE FORWARD OF THIS LINE

POSITION HANDLE FORWARD OF THIS LINE

T242

T242X



Figura 3

Descripción del Producto

Use las ilustraciones como guía, familiarícese con esta unidad y sus varios componentes. Consulte la figura 4. Conociendo la unidad le ayudará a obtener alto rendimiento, vida útil más prolongada y operación con seguridad.



¡ADVERTENCIA!

No haga modificaciones o alteraciones no autorizadas a ninguna de estas máquinas ni a sus componentes.

¡IMPORTANTE!

Los términos "izquierda", "mano izquierda", y "LH"; "derecha", "mano derecha", y "RH", "delantera" y "trasera", indican direcciones desde el punto de vista del operador durante la operación normal de este producto.

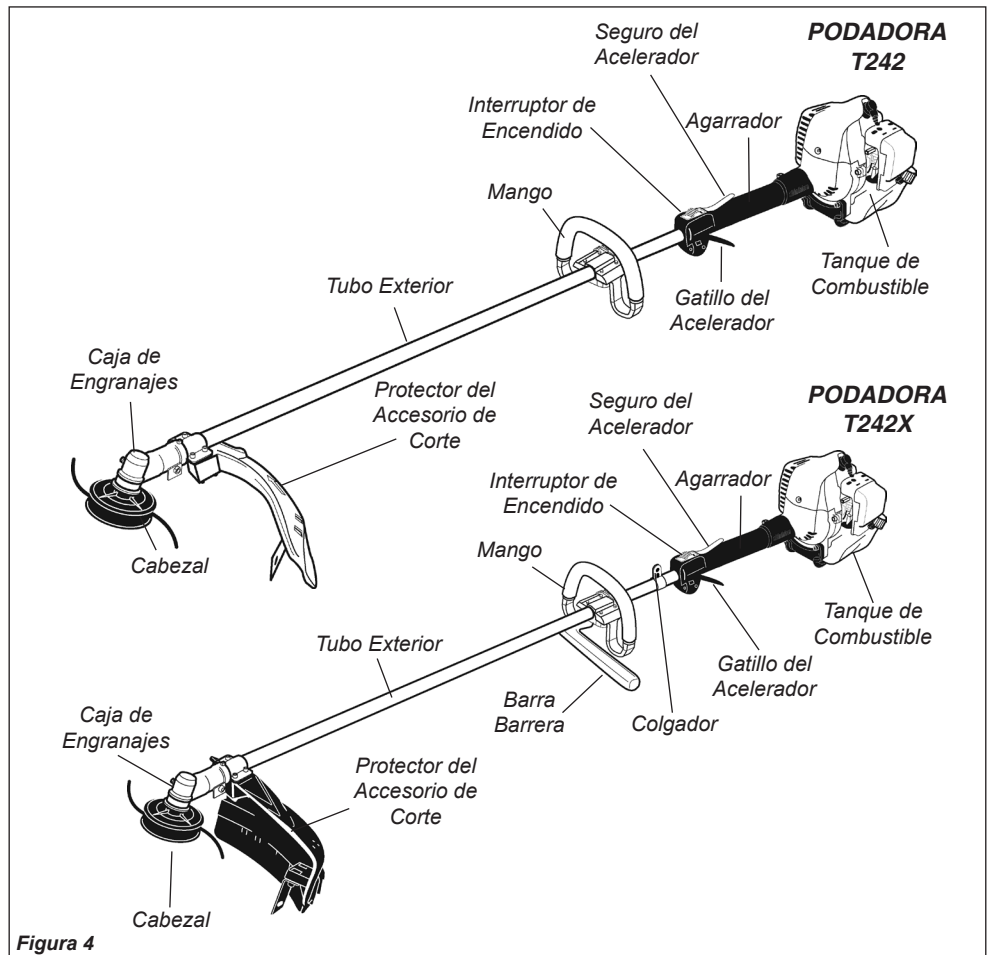


Figura 4

Especificaciones

T242 Peso sin Combustible (sin accesorios para cortar).....	11.3 libras/5.1 kg
T242X Peso sin Combustible (sin accesorios para cortar).....	11.9 libras/5.4 kg
Modelo de Motor.....	S242E
Tipo de Motor.....	Catalizador de 2 ciclos
Diámetro x Carrera.....	1.3 x 1.1 in./33 mm x 28 mm
Cilindrada.....	1.5 pulg. Cúbicas/23.9 cc
Potencia Máxima.....	1 HP/0.8 kW @8000 rpm (min-1)
Combustible/Aceite.....	50:1 con ISO-L-EGD o JASO FC aceite de mezcla de motor 2 tiempos
Tipo de Carburador.....	Walbro WYK, tipo diafragma
Capacidad del Tanque de Combustible.....	22.3 onzas/670 ml
Sistema de Encendido.....	Transistor controlado por una pieza electrónica

Bujía.....	BPMR6A
Filtro de Aire.....	Filtro de esponja no reversible
Metodo de Arranque.....	Recular
Metodo de Parada.....	Interruptor
Tipo de Transmisión.....	Automática, embrague centrífugo con engranajes helicoidales
Periodo de Cumplimiento con Regulaciones de Emisiones EPA*.....	Categoría A

* Cumple o excede estas especificaciones y es recomendada para todo los productos de Shindaiwa.

** El cumplimiento de emisiones EPA referido en la etiqueta en el motor, indica el número de horas de operación por la cual el motor ha demostrado cumplir con los requisitos federales de emisiones. Categoría C = 50 horas (Moderado), B= 125 horas (Intermedio) y A = 300 horas (Extendido).

Especificaciones sujetas a cambios sin previo aviso.

Esta unidad viene completamente ensamblada con la excepción del accesorio de corte y el protector del accesorio de corte.

Antes de Ensamblar

Antes de ensamblar, cerciórese de que tenga todos los componentes necesarios para armar una máquina completa e inspeccione la unidad y componentes en busca de daños.

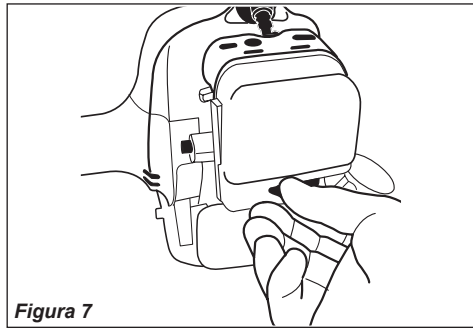
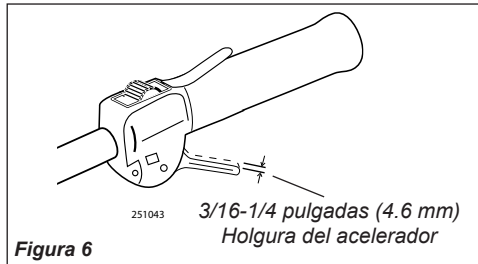
- Ensamblaje del motor y eje.
- Protector del accesorio de corte.
- Accesorio de corte.

- Este paquete contiene el soporte y utensilios de metal para montar el protector del accesorio de corte, este manual del propietario/operador y juego de herramientas para mantenimiento rutinario. Los paquetes de herramientas varían por modelo y pueden incluir una llave bujía y destornillador, y un raspador.

Ensamblaje y Ajustes

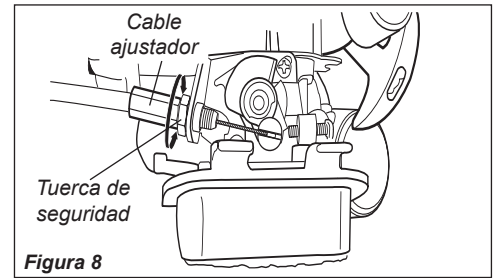
Ajuste la holgura del acelerador

La holgura del gatillo debe ser aproximadamente de 3/16-1/4 pulgadas (4.6 mm). Consulte la figura 6. Cerciérese que el gatillo de aceleración opere suavemente sin trabarse. Si es necesario ajustar la holgura, siga los procedimientos e ilustraciones a continuación.



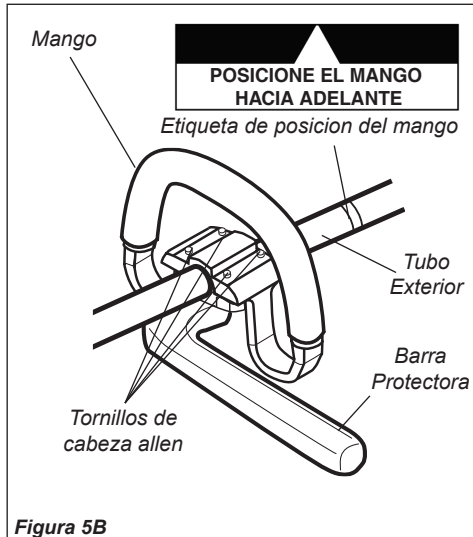
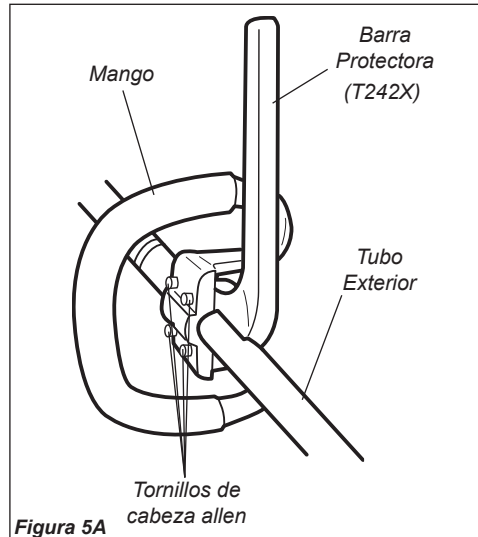
1. Afloje el botón de la tapa del filtro de aire y retire la tapa del filtro de aire. Consulte la figura 7.
2. Afloje la tuerca de seguridad en el cable ajustador. Consulte la figura 8.

3. Gire el cable ajustador hacia dentro o fuera como sea requerido para obtener la holgura apropiada 3/16-1/4 pulgadas (4.6 mm). Consulte la figura 8.
4. Apriete las tuercas de seguridad.



5. Reinstale la tapa del filtro de aire.

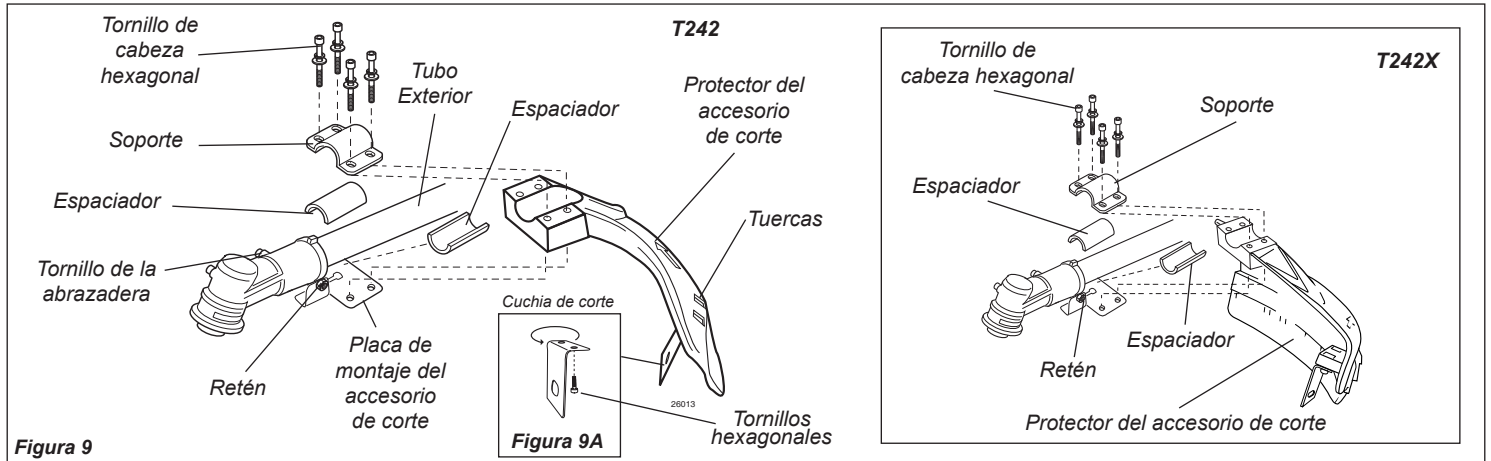
Mango



1. La fabrica instala el mango en el tubo exterior y es posicionado verticalmente. Consulte la figura 5A.
2. Afloje los cuatro tornillos de cabeza hueca y rote el mango 90 grados. Consulte la figura 5B.
3. Posicione el mango hacia adelante a la posición más cómoda para el operador (usualmente a 10 pulgadas más allá de la caja del acelerador).
4. Asegure el mango ajustando alternadamente los cuatro tornillos de cabeza allen en forma diagonal o cruzada.

Ensamblaje y Ajustes

Protector del accesorio de corte



Instale el protector del accesorio de corte T242/T242X.

1. Inserte el protector del accesorio de corte entre el tubo exterior y la placa de montaje. Consulte la figura 9.

NOTA:

Pueda que sea necesario aflojar el retén y el tornillo sujetador para ajustar la placa de montaje del protector del accesorio de corte.

2. Coloque los dos espaciadores y el soporte sobre el tubo exterior e instale sin ajustar los cuatro tornillos de cabeza allen y apriete los cuatro tornillos. Consulte la figura 9.

¡PRECAUCIÓN!

Asegurese de que el tornillo sujetador y el retén estén debidamente apretados antes de apretar los cuatro tornillos de cabeza allen.

3. Apriete los cuatro tornillos de cabeza allen para asegurar el protector del accesorio de corte.
4. Volver a apretar el tornillo de la abrazadera al igual que la tuerca.



¡ADVERTENCIA!

NUNCA opere la unidad sin el protector del accesorio de corte instalado y asegurado firmemente.

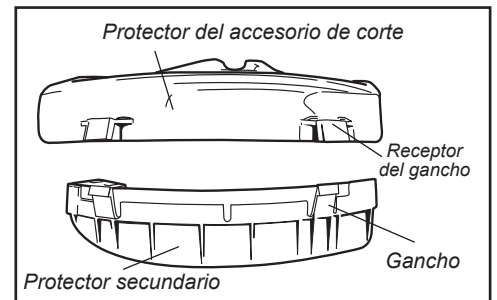
Protector Secundario T242X. (cuando el cabezal está en uso)

1. Una la extensión del protector al protector del implemento de corte.



¡ADVERTENCIA!

JAMAS utilice esta maquina sin el protector secundario cuando el cabezal esté en uso.

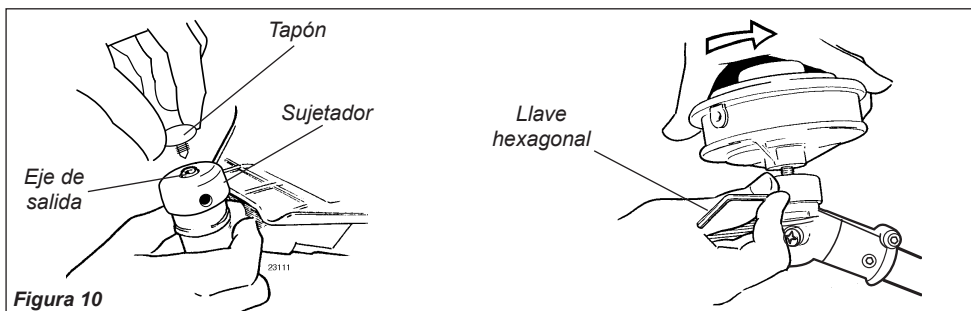


¡PRECAUCIÓN!

Asegurese que el protector secundario este completamente enganchado con el receptor del gancho.

Ensamblaje

Cabezal de Corte



Cabezal de corte.

1. Voltee la maquina de tal forma que el eje de salida de la caja de cambios esté cara arriba.
2. Retire y deseche la tapa protectora de plástico negro del eje de salida. Consulte la figura 10.
3. Gire el soporte hasta que el hueco en el soporte se alinie con la muesca en la caja de cambios. Use el lado largo de la llave hexagonal para asegurar el soporte y el eje de salida. Consulte la figura 10.
4. Mientras sostiene la llave hexagonal, enrosque el cabezal de corte sobre el eje de salida, girando en dirección contraria a las agujas del reloj. Usando presión manual solamente, apriete el cabezal de recorte firmemente en el eje de salida.

¡IMPORTANTE!

El cabezal de corte tiene una rosca izquierda. Para retirarlo, gire el cabezal en dirección de las agujas del reloj.

5. Retire la llave hexagonal.
6. Ajuste el largo de la línea de corte para que alcance no más allá de la cuchilla de corte en el protector. Recorte el largo correcto si es necesario.

La unidad debe ahora estar completamente ensamblada y lista para ser usada con un cabezal.

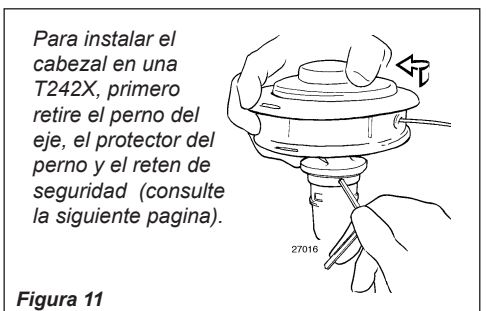


Figura 11



¡ADVERTENCIA!

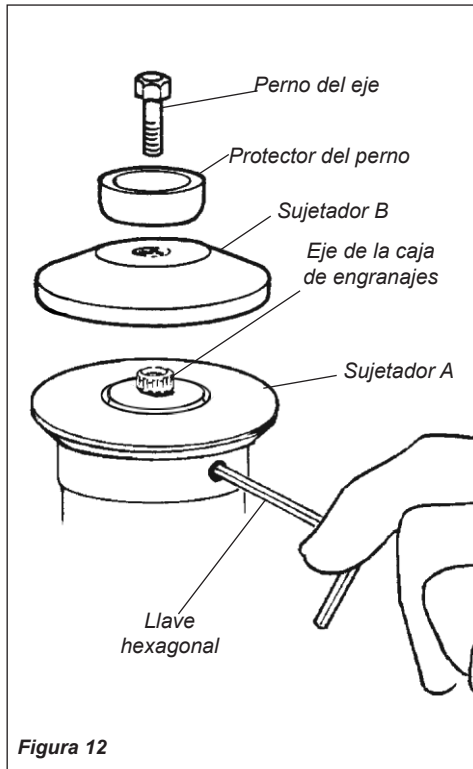
Una podadora de grama normal con mango circular NUNCA debe ser operada con accesorios tipo cuchilla. Para usar cuchilla, la podadora debe estar equipada con un mango tipo bicicleta o un mango con barrera ubicado al frente del operario para reducir el riesgo de que el operario entre en contacto con el accesorio de corte (Norma ANSI B175.3). Cuando use una cuchilla, la unidad debe estar equipada con un arnés o correa.

Ensamblaje Disco/Cuchilla T242X

Monte la cuchilla tipo.

Ponga la T242X de cabeza, de tal forma que el perno del eje de la caja de engranajes este cara arriba y retire el perno del eje, el protector de perno y el soporte B del eje de la caja de engranajes.

1. Alinie la muesca en el Soporte A con la muesca correspondiente en el borde de la caja de engranajes y luego asegure temporalmente el eje de salida insertando la llave hexagonal a través de ambas muescas. Consulte la figura 12.
2. Encaje la cuchilla sobre el retén de seguridad y luego centrela sobre el borde del Soporte A. Consulte la figura 14.
3. Instale el sujetador B en el eje de salida. Consulte la figura 13.



¡ADVERTENCIA!

El disco debe encajar en forma plana contra el borde del sujetador. La muesca de montaje del disco debe estar centrada sobre el patrón elevado en el sujetador de disco A.

¡ADVERTENCIA!

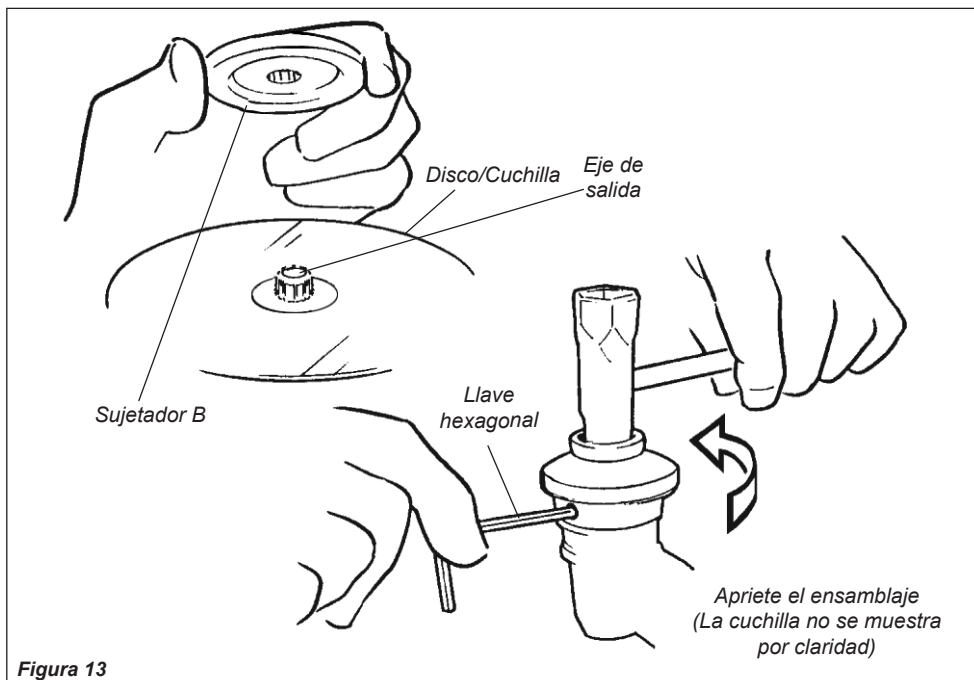
Soporte B debe quedar alineado con la cuchilla y las tiras enganchadas al eje.

4. Instale el protector de perno y luego el perno de retencion de la cuchilla. Usando la llave de bujia/destornillador combinado, apriete el perno firmemente en direccion contraria a las agujas del reloj.
5. Retire la llave hexagonal.

¡PRECAUCIÓN!

Instale el disco de tal manera que su superficie impresa sea visible al operador cuando la unidad esté en la posición normal de operación.

La T242X debe estar ahora completamente ensamblada y lista para ser usada con una cuchilla.



Mezcla de Combustible

¡PRECAUCIÓN!

Algunas gasolinas contienen alcohol como un oxigenante. Combustibles oxigenados pueden aumentar la temperatura del motor durante su funcionamiento. Bajo ciertas condiciones, combustible con alcohol puede reducir la calidad lubricante de algunos aceites de mezcla. Nunca use ningún combustible que contenga más de 10% de alcohol por volumen!

Aceites genéricos y algunos aceites para motores fuera de borda pueden no ser para el uso en motores de 2 tiempos, de alto rendimiento, y no deben ser usados en su motor Shindaiwa!

¡PRECAUCIÓN!

Este motor está diseñado solamente para funcionar con una mezcla de 50:1 de gasolina sin plomo y aceite de mezclar para motores de 2 tiempos. ISO-L-EGD o JASO FC. El uso de aceites de mezclar no autorizados puede conducir a excesos de depósitos de carbón.

- Use solamente gasolina fresca, limpia y sin plomo, con índice de octanaje de 87 o superior.
- Mezcle todo el combustible con aceite de mezclar para motores de 2 tiempos enfriados por aire que cumpla o exceda aceites clasificados ISO-L-EDG y/o JASO FC a proporción de 50:1 gasolina/aceite.

Ejemplos de cantidades de mezcla a proporción de 50:1

- 1 galón de gasolina por 2.6 onzas de aceite de mezclar.
- 5 litros de gasolina por 100 ml de aceite de mezclar.

¡IMPORTANTE!

Mezcle solamente el combustible necesario para uso inmediato! De ser necesario almacenar el combustible por más de 30 días, y si no se está usando aceite con estabilizador **ONE** combustible, entonces el combustible debe ser tratado primero con un estabilizador como por ejemplo STA-BIL™.

El Aceite **ONE** es un aceite registrado de JASO FC clasificado y también cumple o excede los requisitos de rendimiento de ISO-L-EGD. Shindaiwa One es recomendado para el uso en todos los motores Shindaiwa de baja emisión. Shindaiwa One también incluye el estabilizador de combustible.

Llenando el Tanque de Combustible



¡ADVERTENCIA!

Disminuya el riesgo de incendios!

- Pare el motor antes de volver a llenar el tanque.
- Siempre deje enfriar el motor antes de volver a llenar el tanque!
- Limpie todo derrame de combustible y aleje el motor por lo menos 10 pies (3 metros) del depósito de combustible antes de volver a prender el motor!
- Nunca comience u opere esta máquina si existe una pérdida de combustible.

- Nunca encienda u opere esta máquina si el carburador, líneas de combustible y/o tapa de tanque o tanque de combustible se encuentran dañados.
- Nunca fume o encienda fuegos cerca del motor o del combustible!
- Nunca coloque material inflamable cerca del silenciador del motor!
- Nunca opere el motor sin antes comprobar que el silenciador y el guardachispas estén funcionando adecuadamente.

1. Posicione la máquina sobre una superficie plana y nivelada.
2. Retire cualquier suciedad o despojos alrededor de la tapa de combustible.
3. Retire la tapa de combustible y llene el tanque con combustible fresco y limpio.
4. Reinstale la tapa de combustible y apriete firmemente.

Arranque del Motor

¡IMPORTANTE!

El encendido del motor está controlado por un interruptor de dos posiciones montado en el mango del acelerador indicado "I" (encendido o arranque) y "O" (apagado o pare).

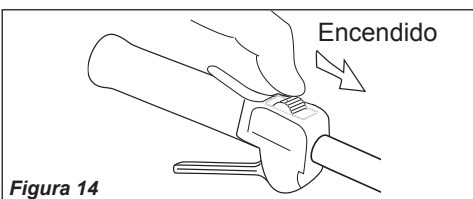


Figura 14

1. Deslice el interruptor hacia la posición "I" (motor encendido).
2. Presione la bombilla de cebado hasta que vea pasar combustible por el tubo de retorno transparente.

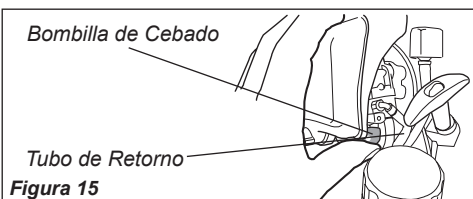


Figura 15

¡IMPORTANTE!

La bomba de cebado solamente empuja combustible a través del carburador. Presionando repetidamente la bomba de cebado no ahogará el motor con combustible.

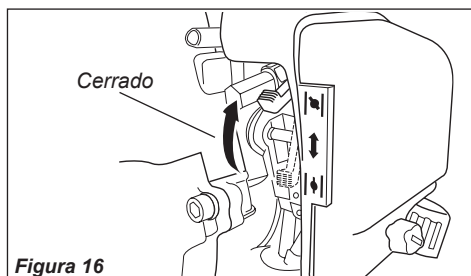


Figura 16

3. Posicione la palanca del cebador en la posición CLOSED (cerrado) si el motor está frío.



Figura 17

4. Mientras sostiene el tubo exterior firmemente con una mano, jale despacio la cuerda del arrancador recular hasta que sienta resistencia, luego jale rápidamente para arrancar el motor.

¡PRECAUCIÓN!

No jale el arrancador recular hasta el final de la cuerda. De lo contrario, puede dañar el arrancador.

Arranque del Motor (continuación)



¡ADVERTENCIA!

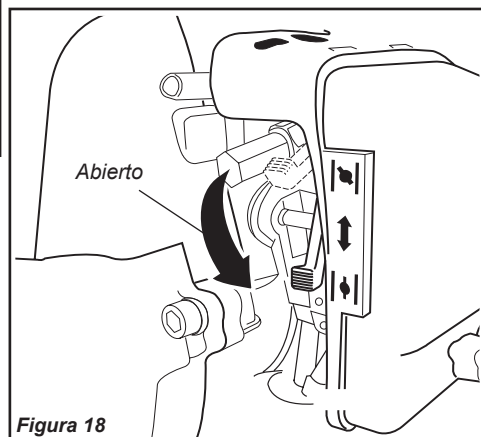
El accesorio de corte puede que gire cuando encienda el motor!



¡ADVERTENCIA!

Nunca arranque el motor desde la posición de operación.

5. Cuando arranque el motor, mueva despacio la palanca del cebador a la posición "OPEN" (abierto). Consulte la figura 18. (Si el motor para después del arranque inicial, cierre la palanca del cebador y vuelva arrancar).



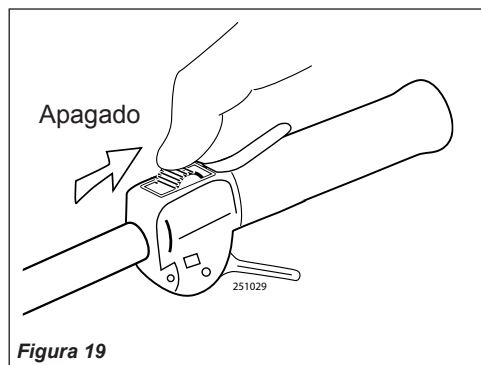
¡IMPORTANTE!

Si el motor falla en arrancar después de varios intentos con la palanca del cebador en posición cerrada, puede que el motor esté ahogado con combustible. Si esto se sospecha, mueva la palanca del cebador a la posición abierta y repetidamente jale el arrancador recular para remover el exceso de combustible y para arrancar el motor. Si aún falla en arrancar el motor, consulte el guía diagnóstico de este manual.

Cuando arranca el motor...

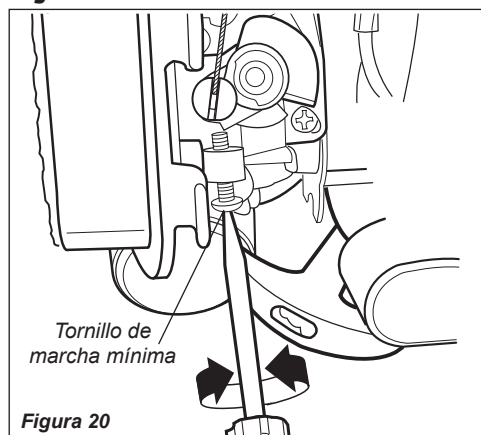
- Después de que arranque el motor, permita que caliente en marcha mínima por 2 ó 3 minutos antes de usar la máquina.
- Después de que caliente el motor, levante la máquina y asegure el arnés si así está equipada. Consulte la página 11.
- Adelantando el acelerador hace que el accesorio de corte gire más rápido; liberando el acelerador permite que el accesorio pare de girar. Si el accesorio de corte continua girando cuando el motor regresa a marcha mínima, la velocidad mínima del carburador debe ser ajustada. (Consulte "Ajuste de Marcha Mínima" a continuación).

Parada del Motor



Ponga el motor en marcha mínima por dos o tres minutos antes de apagarlo, luego deslice el interruptor de ignición a la posición "O" (motor apagado).

Ajuste de Marcha Mínima del Motor



El motor debe retornar a marcha mínima cuando la palanca del acelerador es liberada. La marcha mínima es ajustable y debe ser suficientemente mínima para permitir que el embrague del motor libere el accesorio de corte.

Ajuste de marcha mínima



¡ADVERTENCIA!

El accesorio de corte NUNCA debe girar en marcha mínima! Si la marcha mínima no puede ser ajustada por el procedimiento descrito aquí, entonces devuelva la podadora a su distribuidor Shindaiwa para inspección.

1. Coloque la podadora en el suelo, luego encienda el motor y déjelo funcionar en marcha mínima durante 2 ó 3 minutos hasta que caliente.
2. Si el accesorio de corte gira mientras el motor está en marcha mínima, reduzca la marcha mínima, girando el tornillo de ajuste de marcha mínima en el sentido contrario a las agujas del reloj. Consulte la figura 20.
3. Si tiene un tacómetro disponible, la marcha mínima se debe ajustar a 3,000 RPM (± 250) RPM (min^{-1}).
4. Los ajustes de mezcla de carburador son prefijados en la fábrica y no pueden ser cambiados en el campo.

Verifique la Condición de la Unidad

NUNCA opere la unidad sin el protector del accesorio de corte o sin equipo de protección.



¡ADVERTENCIA!

El protector del accesorio de corte o equipo de protección no garantiza protección contra rebotes. USTED SIEMPRE DEBE PROTEGERSE DE DESPOJOS VOLANTES!

Use solamente repuestos y accesorios autorizados por Shindaiwa en su podadora Shindaiwa. No haga modificaciones a la unidad sin la aprobación escrita de Shindaiwa, Inc.

SIEMPRE cerciórese de que el accesorio de corte esté propiamente instalado y firmemente apretado antes de usar.

NUNCA use un accesorio de corte rajado o doblado, reemplácelo con uno util.

SIEMPRE cerciórese de que el cabezal encaje propiamente dentro del soporte. Si un cabezal propiamente instalado vibra, reemplácelo por uno nuevo y pruebe.

SIEMPRE pare el motor inmediatamente y revise en busca de daños si golpea un objeto extraño o si la unidad se enreda. No opere con equipo dañado o quebrado.

NUNCA permita que el motor funcione a altas revoluciones sin carga. De lo contrario, podría dañar el motor.

NUNCA use la máquina con sujetadores o soportes de accesorios desgastados o dañados.

Correa de Hombro T242X

Ajuste la correa de hombro o árnes de tal forma que la almohadilla descansa comodamente sobre los lados de los hombros y que la trayectoria de corte del accesorio de corte esté paralelo al suelo. Asegure que todo los ganchos y dispositivos de ajuste estén asegurados.

NOTA:

A pesar de que una correa de hombro no es requerida con el uso de podadoras de césped, una correa de hombro puede aumentar la comodidad para el operador durante períodos extensos de operación. Consulte la figura 21.

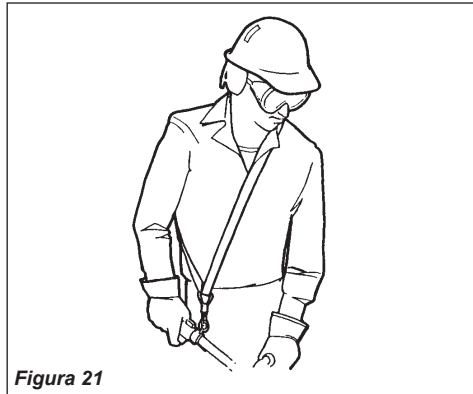


Figura 21

La T242X Operando Con Una Cuchilla



¡ADVERTENCIA!

Siempre use una correa de hombro cuando opere esta unidad con una cuchilla.

NOTA:

El usar una correa de hombro al operar esta unidad con una cuchilla, le permite mantener un control propio de la unidad y reduce la fatiga durante extensa operación.

Corte de Césped – Máquinas Equipadas con Cabezal de Corte

Su unidad Shindaiwa pueda que esté equipada con uno de varios modelos de cabezales de corte de Shindaiwa, cada uno con características para aplicaciones específicas y/o requisitos operacionales.

NOTA:

Para la operación adecuada, consulte siempre las instrucciones incluídas en el cabezal de corte. Entre los modelos de cabezales de corte disponibles se incluyen:

- **Semi-Automático:** La línea de corte es indexada cuando el operario toca el suelo con el cabezal de corte durante el uso.
- **Manual:** El operario mide manualmente la línea con la recortadora de césped completamente detenida.
- **Fijo:** El operario debe apagar el motor y añadir manualmente nuevos largos de línea de corte.
- **Cuchilla Flotante:** Este dispositivo, diseñado para cortar mala hierba o maleza ligera, incluye tres cuchillas de nylon atornilladas al cabezal a través de pivotes.

NOTA:

Herramientas adicionales pueden ser requeridas para montar los cabezales de Línea Fija o de cuchillas flotantes.

¡PRECAUCIÓN!

No presione el cable de nylon contra árboles, cercas de alambre o cualquier otro material que pueda atascar o romper el cable.

Velocidades de operación del motor

Opere la máquina a aceleración máxima cuando corte césped.

¡PRECAUCIÓN!

La operación de la podadora sin la unidad protectora de corte o usar una línea de corte muy larga puede causar la falla prematura del embrague.

¡PRECAUCIÓN!

Operación a bajas revoluciones puede conducir a la falla prematura del embrague.

Sostenga la podadora de tal forma que el cabezal esté en ángulo al área de corte. Para obtener máxima vida útil del cable de nylon, corte solamente con la punta del cable. Corte césped moviendo el cabezal de izquierda a derecha. Mantenga el cabezal horizontalmente. Consulte la figura 22.

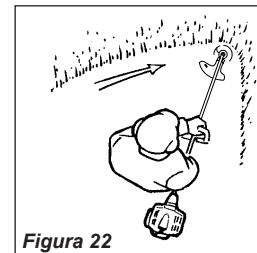


Figura 22

Recorte y Podado de Césped

Bordes

Incline el mango más o menos a 100° hacia la izquierda (desde la posición horizontal) y avance hacia adelante, sosteniendo la podadora verticalmente como se demuestra en la figura 23.

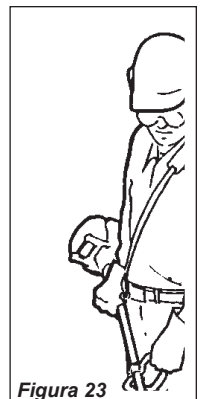


Figura 23

Usando un Disco (T242X)



¡ADVERTENCIA!

- Antes de trabajar con una unidad equipada con un disco, siempre inspeccione y limpie los objetos en el área que puedan interferir o dañar el disco.
- NUNCA use un disco cerca de veredas, cercas, edificios u otros objetos que puedan causar lesiones o daños.
- NUNCA use un disco para ningún otro propósito aparte del cual ha sido diseñado.
- Cuando golpee un objeto sólido con un disco, siempre pare el motor y cuidadosamente inspeccione el disco en busca de daños. NUNCA OPERE LA DESMALEZADORA CON UN DISCO DAÑADO !
- Una unidad equipada con un disco debe estar equipada con un mango tipo bicicleta, así también como con un árnes o correa.
- SIEMPRE cerciøre que el protector del accesorio de corte est propiamente instalado antes de operar la unidad.

Rebote de disco

El rebote de disco es un movimiento repentino de lado a lado o hacia atrs de la desmalezadora. Tal movimiento puede ocurrir cuando el disco se enreda o coje un objeto tal como ramas o troncos de rbol. ESTE CONSTANTEMENTE ALERTA DEL REBOTE DE DISCO Y PROTEJASE CONTRA SUS EFECTOS !

Mango tipo bicicleta para desmalezadora

El mango tipo bicicleta para desmalezadora ayuda a prevenir que el operario se mueva hacia adelante o que la unidad se mueva hacia atrs, impidiendo as el contacto del cuerpo con el accesorio de corte. SIEMPRE MANTENGA EL MANGO ASEGURADO EN SU SITIO EN LA UNIDAD !

Correa de hombro para desmalezadora

La correa de hombro ofrece proteccin adicional contra los rebotes de la cuchilla. Adicionalmente, brinda un gran soporte y comodidad para una operacin segura y eficiente.

Cuando use una T242X con cuchilla, cercirese que el mango y la correa de hombro estn ajustados a la talla del operador que usa la unidad.

Velocidades de operacin del motor

Opere el motor a mxima potencia mientras corte. Para mayor eficiencia de combustible, suelte el acelerador cuando voltee de regreso despus de un corte.

- Para evitar posibles daos al motor, no permita que la desmalezadora funcione a altas velocidades sin carga.
- Evite operar el accesorio a velocidades bajas. De lo contrario, puede conducir a un desgaste rpido del embrague. Adicionalmente, la operacin a baja velocidad tiende a hacer que el cabezal de corte se enrede con csped y despojos.

Usando un Disco (T242X)

El disco gira en direccin contraria a las agujas del reloj. Para mximo rendimiento, mueva el disco de derecha a izquierda mientras avanza en su trabajo. Consulte la figura 24.

Ubique el disco de tal manera que los cortes se realicen entre las 8 horas y las 10 horas. (agujas de un reloj). NO CORTE entre las 10 horas y 5 horas.



¡ADVERTENCIA!

Cuando corte madera con un disco, presione el disco lentamente. Nunca golpee o choque un disco en rotacin contra la madera.

Cortes verticales

Sostenga la desmalezadora con el disco a un ngulo de 90 grados con respecto al suelo, de forma que el borde inferior del disco gire hacia el operario. Mueva el disco de arriba para abajo a travz del corte, y corte solamente con el borde inferior del disco.

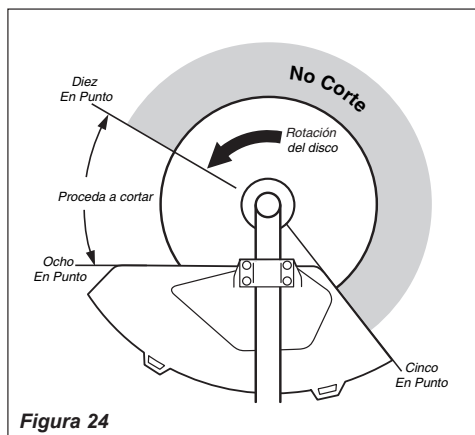


Figura 24



¡ADVERTENCIA!

Al efectuar cortes verticales, nunca permita que el disco sobrepase la altura de su cintura.



¡ADVERTENCIA!

No use discos de corte de 2 dientes o discos de corte de 4 dientes no aprobados por Shindaiwa en su desmalezadora o podadora Shindaiwa.



Figura 25

Mantenimiento General

¡IMPORTANTE!

EL MANTENIMIENTO, REEMPLAZO O REPARACION DE LOS SISTEMAS Y DISPOSITIVOS DE CONTROL DE EMISION PUEDEN SER EFECTUADOS POR CUALQUIER ESTABLECIMIENTO O INDIVIDUO; SIN EMBARGO, LAS REPARACIONES DE GARANTIA DEBEN SER EFECTUADAS POR SU CENTRO DE SERVICIO O DISTRIBUIDOR AUTORIZADO POR CORPORACIÓN DE SHINDAIWA EL USO DE PARTES QUE NO SON EQUIVALENTES EN RENDIMIENTO Y DURABILIDAD A LAS PARTES AUTORIZADAS PUEDEN AFECTAR LA EFECTIVIDAD DE SU SISTEMA DE CONTROL DE EMISION Y PUEDE INFLUENCIAR EL RESULTADO DE SU RECLAMO DE GARANTIA.

Cuchillas

Mantenga los discos afilados y revise la condición del disco frecuentemente. Si el rendimiento de un disco cambia repentinamente, pare el motor y revise el disco en busca de rajaduras u otro daño. Reemplace el disco dañado INMEDIATAMENTE!



¡ADVERTENCIA!

Antes de efectuar mantenimiento, reparación o limpieza de la máquina, cerciéndose de que el motor y el accesorio de corte estén completamente detenidos. Desconecte el cable de bujía antes de efectuar servicio de mantenimiento.



¡ADVERTENCIA!

Los repuestos no estándar puedan que no operen propiamente con su máquina y pueden causar daño y conducir a una lesión personal.

NOTA:

El usar repuestos no estándar podría invalidar su garantía Shindaiwa.

Silenciador

Esta máquina nunca debe ser operada con un guardachispas o silenciador defectuoso o faltante. Cerciéndose de que el silenciador esté bien asegurado y en buena condición. Un silenciador usado o dañado es un riesgo de incendio y puede causar la pérdida de audición.

Bujía

Mantenga la bujía y las conexiones de cable apretadas y limpias.

Sujetadores

Cerciéndose de que las tuercas, pernos y tornillos (a excepción de los tornillos de ajuste del carburador) estén apretados.



¡ADVERTENCIA!

Los discos de corte no son intercambiables entre las bordeadoras o desmalezadoras. El uso de cualquiera unidad con discos o accesorios no aprobados para la respectiva unidad pueden ser peligrosos y ocasionar lesiones graves.

Nunca repare un disco dañado soldándolo, enderezándolo o modificando su forma. Una vez alterado, podría quebrarse en plena operación y ocasionar lesiones personales serias.

Mantenimiento Diario

Antes de cada día de trabajo, efectúe lo siguiente:

- Retire toda suciedad y despojo del motor, revise las aletas de enfriamiento y el filtro de aire y límpielos de ser necesario.
- Cuidadosamente, retire cualquier acumulación de suciedad o despojo del silenciador y del tanque de combustible. La acumulación de suciedad en dichas áreas puede ocasionar el sobrecalentamiento del motor, inducir el gasto prematuro o crear un riesgo de incendio.
- Revise que no falten tornillos y que no estén flojos. Cerciéndose de que el accesorio de corte esté firmemente asegurado.
- Revise la máquina entera en busca de goteo de combustible o grasa.

Mantenimiento Cada 10 Horas

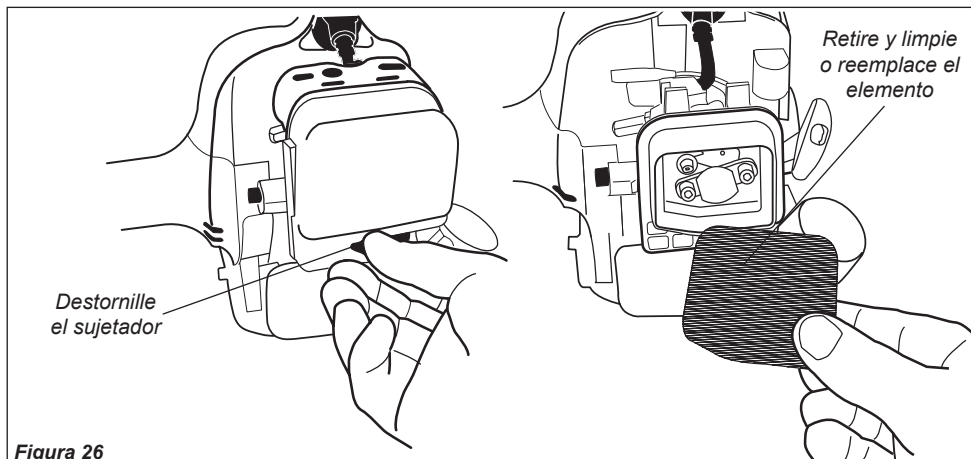


Figura 26

Cada 10 horas de operación

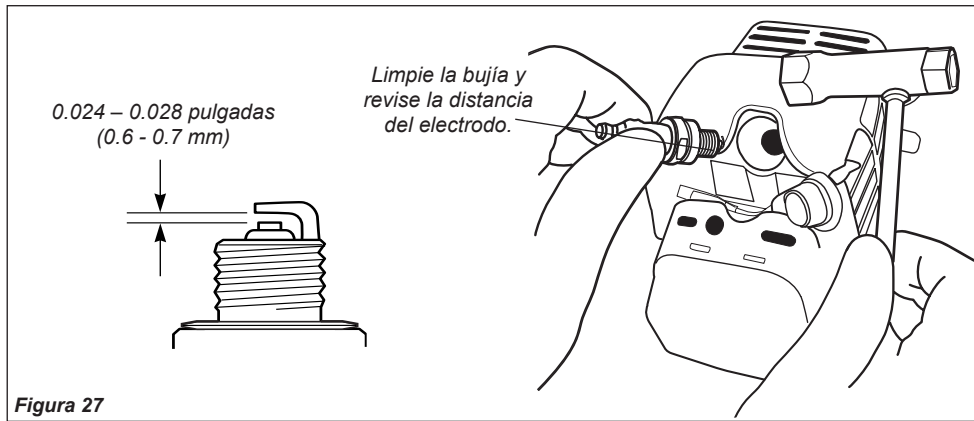
(más frecuentemente bajo condiciones sucias o polvorientas):

- Retire el elemento del filtro de aire. Consulte la figura 26. Limpie o reemplace como sea necesario. Para lavar el elemento: Lavelo meticulosamente con agua y jabón. Deje que seque antes de reinstalarlo.

¡PRECAUCIÓN!

No opere esta máquina si el filtro de aire está sucio, dañado o si está húmedo.

Mantenimiento Cada 10/15 Horas



Cada 10 ó 15 horas de operación:

- Retire y limpie la bujía. Ajuste la distancia del electrodo a 0.024-0.028 pulgadas (0.6 -0.7 mm). Si la bujía necesita ser reemplazada, use solamente una bujía BPMR6A o una bujía equivalente con resistencia al calor correcta. Consulte la figura 27.

NOTA :

La BPMR6A también cumple con los requisitos de la regulación de electro magnéticos (EMC).

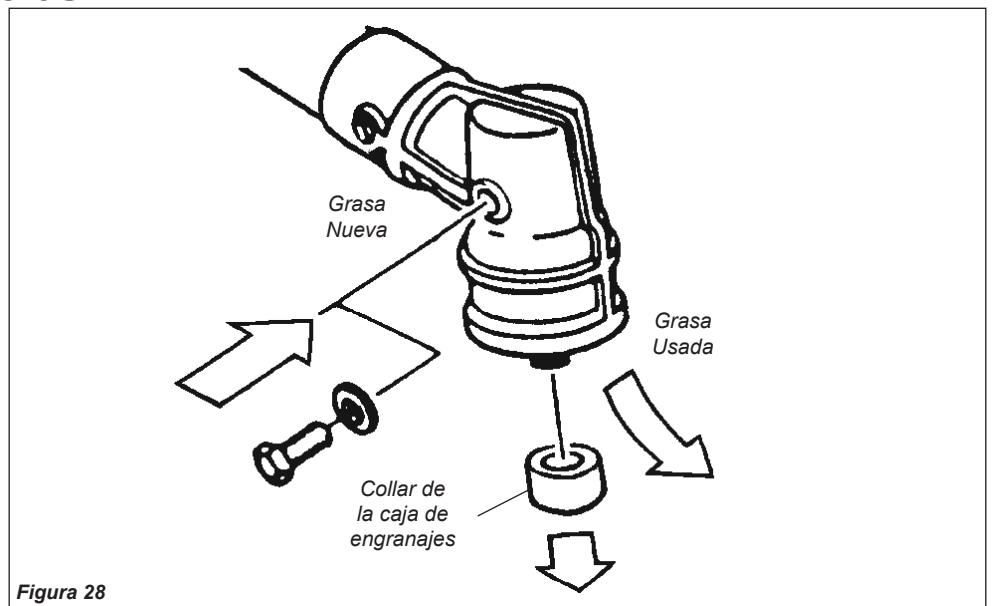
¡PRECAUCIÓN!

Antes de retirar la bujía, limpie alrededor de la misma para evitar que entre polvo o suciedad a las partes internas del motor.

Mantenimiento Cada 50 Horas

Cada 50 horas de operación
(más frecuentemente bajo condiciones sucias o polvorientas):

- Retire y limpie la tapa del cilindro y limpie la maleza y la suciedad en las aletas del cilindro.
- Retire el accesorio de corte, el soporte del accesorio de corte y el collar de la caja de engranajes. Retire la tuerca del alimentador del costado de la caja de engranajes e introduzca grasa nueva a la caja hasta que la grasa usada salga. Use solamente grasa a base de litio, tal como grasa Shindaiwa para Caja de Engranajes o su equivalente. Consulte la figura 28.
- Remoeba el ejaprincipal y lubrique ambos lados de las estrías.
- Use un gancho de alambre para extraer el filtro de combustible del tanque de combustible. Consulte la figura 29.

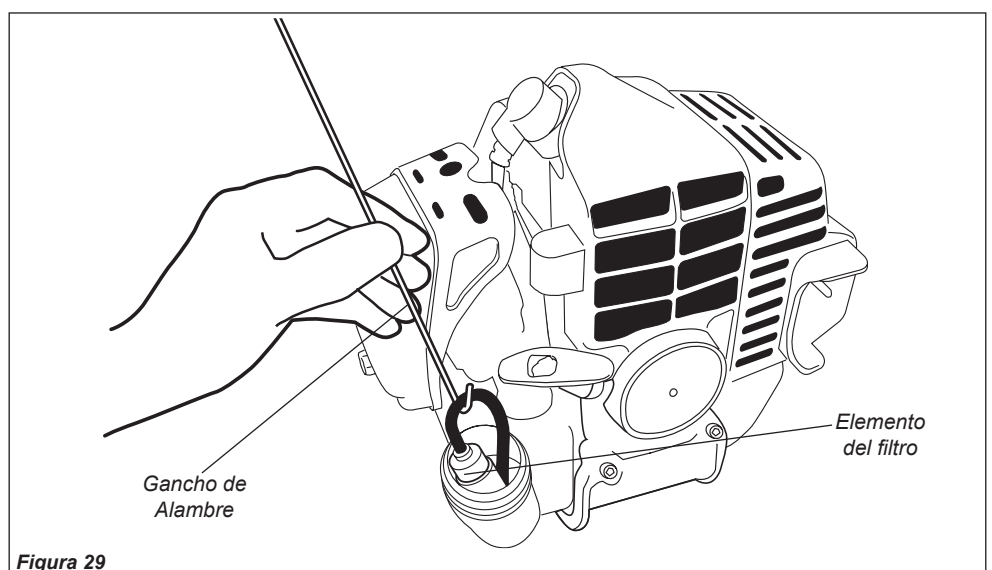


¡PRECAUCIÓN!

Asegure de no perforar la tubería de combustible con la punta del gancho de alambre, pues esta línea es delicada y se puede dañar fácilmente.

Retire y reemplace el elemento del filtro.

Antes de reinstalar el filtro, inspeccione la condición de todo los componentes del sistema de combustible (manguera de alimentación, manguera del ventilador, ventilador, tapa y tanque). Si descubre daños, quebraduras o deterioración, retire la unidad de operación hasta que pueda ser inspeccionada o reparada por un técnico de servicio entrenado por Shindaiwa.



Cada 135 horas Mantenimiento

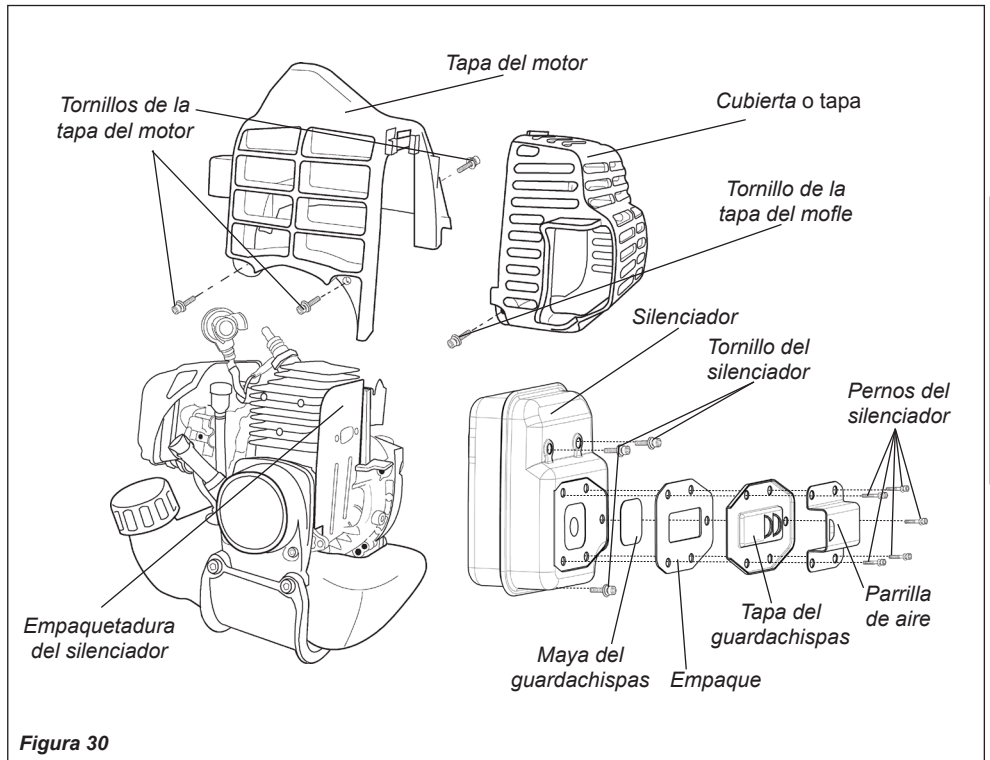
Cada 135 horas de operación, retire y limpie el silenciador.



¡ADVERTENCIA!

Nunca opere la máquina con un silenciador o guardachispas dañado o faltante! De lo contrario, puede ser un riesgo de incendio y podría también causar daños a sus oídos.

1. Retire el capuchón de bujía.
2. Con una llave hexagonal de 3 mm retire la cubierta del mofle en los tres tornillos de la tapa del motor y la tapa del motor. Consulte la figura 30.
3. Con un destornillador de cruz a retire los cinco tornillos sosteniendo la maya guardachispas y la tapa del silenciador. Consulte la figura 30.
4. Retire la maya y limpie con un cepillo de cerdas gruesas.
5. Con una llave hexagonal de 3 mm retire los pernos del silenciador y el silenciador. Consulte la figura 30.
6. Inspeccione el escape del cilindro en busca de acumulación de carbón.
7. Suavemente golpee el silenciador sobre una superficie de madera para deshacerse de cualquier carbón suelto.



¡IMPORTANTE!

Si nota acumulación excesiva de carbón, consulte con su centro de servicio o distribuidor autorizado Shindaiwa.


8. Vuelva a ensamblar el guardachispas, el silenciador y la tapa del motor en forma reversa al order de desensamblaje.

Almacenamiento de Largo Plazo

Cada vez que la máquina no va a ser usada por 30 días o más, siga los siguientes procedimientos para preparar su almacenamiento:

- Limpie las partes externas y aplique una capa ligera de aceite a todas las superficies metálicas.
- Drene todo combustible en el tanque.

¡IMPORTANTE!

Todo combustible almacenado debe estar estabilizado con un estabilizador de combustible tal como STA-BIL™, I menos que use aceite  con estabilizador de combustible.

¡PRECAUCIÓN!

Gasolina almacenada en el carburador por períodos largos puede causar un arranque duro y puede conducir a un aumento en costo de servicio y mantenimiento.

- Retire el resto del combustible en las tuberías de combustible y carburador.
1. Empuje la bombilla de cebado hasta que el combustible deje de pasar.
 2. Arranque y mantenga prendido el motor hasta que pare de funcionar.
 3. Repita los pasos 1 y 2 hasta que el motor ya no arranque.

- Retire la bujía y vierta aproximadamente 1/4 de onza de aceite de mezcla para motores de 2 tiempos en el cilindro a través del agujero de la bujía. Lentamente jale el arrancador 2 ó 3 veces para que el aceite se aplique uniformemente en el interior del motor. Reíntale la bujía.
- Antes de almacenar la máquina, repare o cambie cualquier pieza dañada o gastada.
- Retire el elemento del filtro de aire y límpielo minuciosamente con agua y jabón. Deje que seque y vuelva a ensamblar el elemento.
- Almacene la máquina en un sitio limpio y libre de polvo.

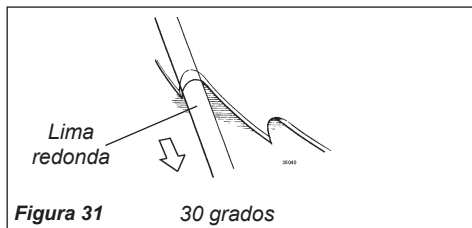
Afilado de Discos

Cuando los bordes de la cuchilla pierdan su filo, pueden ser afilados rápidamente con una lima.

Para mantener la cuchilla balanceada, todos los bordes deben ser afilados uniformemente.

Disco Shindaiwa Tornado™

Para afilar los dientes de corte de un disco shindaiwa Tornado™, use una lima redonda de 7/32 pulgadas. Afile el borde líder de cada diente hasta obtener un filo similar al de una hoja de afeitar. La superficie superior de cada diente debe tener una inclinación de 30 grados. Consulte la figura 33.

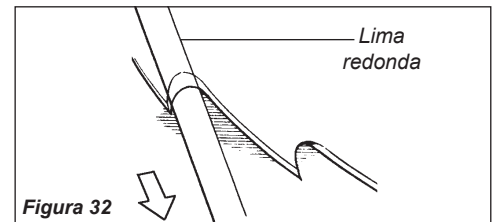


¡ADVERTENCIA!

Afile solamente los dientes de cortar. NO altere de ninguna forma el contorno del disco.

Discos de dientes múltiples

Use una lima redonda para mantener un radio de 0.04 a 0.06 pulgadas (1 a 1.5mm) en la base de cada diente. Los dientes deben quedar igualmente descentrados por cada lado. Consulte la figura 34.



EL MOTOR NO ARRANCA

Que Revisar	Possible Causa	Remedio
¿Arranca el motor?	NO Arrancador defectuoso. Líquido en el cárter. Daños internos.	Consulte con su agente de servicio autorizado.
SI ↓ ¿Buena compresión?	NO Bujía floja. Desgaste en el cilindro, pistón, anillos.	Ajuste y pruebe otra vez. Consulte con su agente de servicio autorizado.
SI ↓ ¿Contiene el tanque combustible fresco y del octanaje correcto?	NO Combustible incorrecto, viejo, o contaminado; mezcla incorrecta.	Vuelva a llenar con combustible fresco, limpio y sin plomo con un octanaje de 87 o superior mezclado con aceite de mezcla para motores de 2 tiempos Shindaiwa enfriado por aire que cumple o excede los aceites clasificados ISO-L-EGD y/o JASO FC a una proporción de 50:1 de gasolina/aceite.
SI ↓ ¿Se ve el combustible circular por la línea de retorno al realizar el cebado?	NO Revise el filtro y/o el ventilador en busca de obstrucción. Bomba de Cebado no funciona propiamente.	Reemplace el filtro de combustible o la valvula de presión cuando sea necesario; vuelva a encender. Consulte con su agente de servicio autorizado.
SI ↓ ¿Hay chispa en el terminal del cable de bujía?	NO El interruptor de encendido está en posición "O" (OFF) (apagado). Corta conexión a tierra. Sistema de encendido o ignición defectuoso.	Mueva el interruptor a la posición de encendido (I) y vuelva a arrancar. Consulte con su agente de servicio autorizado.
SI ↓ Revise la bujía.	Si la bujía está húmeda, puede haber exceso de combustible en el cilindro. La bujía está obstruida o tiene la holgura incorrecta. La bujía está dañada internamente o es el tamaño equivocado.	Retire la bujía y arranque el motor; reinstale la bujía y vuelva a arrancar. Limpie y calibre la bujía a 0,024 – 0,028 pulgadas (0,6 – 0,7mm). Vuelva a arrancar. Cambie la bujía por una BPMR6A o una equivalente con resistencia al calor correcta. Fije la holgura del electrodo de la bujía a 0,024 – 0,028 pulgadas (0,6 – 0,7 mm).

BAJA POTENCIA

Que Revisar	Possible Causa	Remedio
¿Se está sobrecalentando el motor?	El operador esta sobre trabajando la máquina. La mezcla del carburador es muy pobre. Proporción de combustible inapropiada.	Recorte la línea recortadora. Corte más despacio. Consulte con su agente de servicio autorizado. Vuelva a llenar con combustible fresco, limpio y sin plomo con un octanaje de 87 o superior mezclado con aceite de mezcla para motores de 2 tiempos Shindaiwa enfriado por aire que cumple o excede los aceites clasificados ISO-L-EGD y/o JASO FC a una proporción de 50:1 de gasolina/aceite.
El motor funciona bruscamente en cualquier velocidad. Puede tener humo negro y/o combustible sin usar en el escape.	Ventilador, tapa del ventilador, aletas del cilindro están sucios o dañados. Depósitos de carbón en el pistón o en el silenciador.	Limpie, repare o cambie si es necesario. Consulte con su agente de servicio autorizado.
El motor funciona bruscamente en cualquier velocidad. Puede tener humo negro y/o combustible sin usar en el escape.	Filtro de aire obstruido. Bujía floja o dañada. Fuga de aire o línea de combustible obstruida. Agua en el combustible. Pistón trabado. Carburador defectuoso y/o diafragma.	Limpie el elemento del filtro de aire. Apriete o cámbiela. Cambie la bujía por una BPMR6A o una equivalente con resistencia al rango de calor correcta. Repare o cambie el filtro y/o la manguera de combustible. Cambie el combustible. Consulte la pagina 9. Consulte con su agente de servicio autorizado.
El motor está pateando.	Sobrecalentamiento. Combustible inadecuado. Depósitos de carbón en la cámara de combustión.	Consulte arriba. Revise el índice de octanaje del combustible. Revise si hay alcohol en el combustible. (página 9). Vuelva a llenar si es necesario. Consulte con su agente de servicio autorizado.

PROBLEMAS ADICIONALES

Sintoma	Posible Causa	Remedio
Aceleración deficiente.	Filtro de aire obstruido.	Limpiar el elemento del filtro de aire.
	Filtro de combustible obstruido.	Cambiar el filtro de combustible.
El motor se apaga abruptamente.	La mezcla de combustible/aire es muy pobre.	Consultar con su agente de servicio autorizado.
	Marcha mínima ajustada muy baja.	Ajuste: a 3.000 RPM (± 250) rpm (min^{-1}).
	El interruptor está en la posición de apagado.	Fijar el interruptor y volver a arrancar.
	El tanque de combustible está vacío.	Volver a llenar. Consultar página 9.
	Filtro de combustible obstruido.	Cambiar el filtro de combustible.
	Agua en el combustible.	Drenar; cambiar con combustible limpio. Consultar página 9.
	Bujía defectuosa o terminal flojo.	Limpiar y cambiar la bujía; Aprieter el terminal
Falla en el sistema de encendido.	Reemplazar el sistema de encendido.	
Se hace difícil apagar el motor.	Pistón trabado.	Consultar con su agente de servicio autorizado.
	La conexión a tierra está desconectada, o el interruptor está defectuoso.	Probar y reemplazar como sea requerido.
	Sobrecalentamiento debido a bujía incorrecta.	Poner el motor en marcha mínima hasta que enfíe. Limpiar y fijar la holgura de la bujía a 0,024 – 0,028 pulgadas (0,6 – 0,7 mm). Bujía correcta: BPMR6A o su equivalente con resistencia al calor correcta.
El accesorio de corte gira con el motor en marcha mínima.	Motor sobrecalentado.	Marcha mínima hasta que enfíe.
	Marcha mínima ajustada muy alta.	Fijar la marcha mínima: 3.000 rpm (± 250) rpm (min^{-1}).
	Resorte del embrague está quebrado o el resorte patrón del embrague está gastado.	Cambiar los resortes/zapatitas como sea necesario, revisar la marcha mínima.
El motor no baja a marcha mínima.	El soporte del accesorio está flojo.	Inspeccionar y aprieter seguramente los soportes
	Marcha mínima ajustada muy alta.	Fijar la marcha mínima: 3.000 rpm (± 250) rpm (min^{-1}).
	El motor tiene una fuga de aire.	Consultar con su agente de servicio autorizado.

PROBLEMAS ADICIONALES

Sintoma	Posible Causa	Remedio
Vibración excesiva.	El accesorio está dañado o doblado.	Inspeccionar y cambiar el accesorio como sea necesario.
	La caja de cambios está floja.	Aprieter la caja de cambios firmemente.
	El eje principal está doblado/forros están dañados o gastados.	Inspeccionar y cambiar como sea necesario.
	La línea de corte no enrolla propiamente en el carrete.	Rebobinar el cable nylon.
El cortador no gira.	El eje no está instalado en el tren motriz o en la caja de cambios.	Inspeccionar y volver a instalar como sea necesario.
	Eje quebrado.	Consultar con su agente de servicio autorizado.
	Caja de cambios dañada.	

Shindaiwa Corporation
Garantía limitada de defectos y diseño de emisiones federales
Motores de uso general y para parques y jardines

Shindaiwa Corporation garantiza al comprador inicial y a cada propietario siguiente, que este motor para equipos de uso general (de aquí en adelante motor) está diseñado, fabricado y equipado para cumplir, en el momento de la venta inicial, con todas las reglamentaciones vigentes de la Administración de Protección Ambiental de EE.UU. (EPA) y que no tiene defectos materiales ni de mano de obra que pudieran hacer que el motor no cumpla con las reglamentaciones de la EPA durante el período de vigencia de la garantía. Esta garantía sobre normas de emisión rige para todos los estados, excepto para el Estado de California.

Para las piezas listadas en PIEZAS CUBIERTAS, el Distribuidor autorizado por Shindaiwa Corporation efectuará, sin costo para el propietario, los diagnósticos, reparaciones o reemplazos necesarios de cualquier componente defectuoso en relación con las emisiones para asegurar que el motor cumpla con las reglamentaciones de la EPA de EE.UU. aplicables.

COBERTURA DE LA GARANTÍA DEL FABRICANTE

Cuando este equipo se vende en EE.UU., el sistema de control de emisiones del mismo está garantizado por un período de 2 (dos) años a partir de la fecha en que el producto haya sido entregado por primera vez al comprador minorista original.

RESPONSABILIDADES DEL PROPIETARIO RESPECTO DE LA GARANTÍA

Como propietario del motor, usted es responsable de la realización del mantenimiento requerido listado en su manual del propietario. Shindaiwa Corporation le recomienda conservar todos los comprobantes que cubran el mantenimiento de su motor, pero Shindaiwa Corporation no puede negar una reclamación de garantía exclusivamente debido a la falta de comprobantes o porque usted no pueda asegurar la realización de todos los mantenimientos programados.

Como propietario del motor, usted deberá sin embargo estar enterado de que Shindaiwa Corporation podrá negarle cobertura de garantía si el motor o alguna pieza ha fallado debido a uso abusivo, negligencia, mantenimiento inadecuado o modificaciones no autorizadas.

Usted es responsable de la presentación del motor al distribuidor autorizado de Shindaiwa Corporation más cercano cuando exista algún problema.

Si el distribuidor Shindaiwa no puede responder su pregunta con respecto a sus derechos y responsabilidades de garantía, deberá entonces comunicarse con su distribuidor regional de Shindaiwa.

Para obtener el nombre y el número telefónico del distribuidor de Shindaiwa en su localidad, comuníquese con Shindaiwa Inc., al (503) 692-3070 de 8:00 a.m. a 5:00 p.m., hora del Pacífico.

PIEZAS CUBIERTAS

A continuación se listan las piezas cubiertas por la garantía de diseño federal de emisiones y defectos. Algunas partes mencionadas a continuación pueden requerir mantenimiento periódico y están garantizadas hasta el primer reemplazo programado de las mismas. Las partes garantizadas incluyen:

1. Componentes internos del carburador
 - Armado y medición del chorro y el diafragma
2. Componentes del sistema de encendido
 - Bobina de encendido
 - Rotor del volante

El sistema de control de emisiones del motor Shindaiwa puede también incluir ciertas mangueras y conexiones afines.

LIMITACIONES

La garantía por diseño federal de emisiones y defectos no cubrirá nada de lo siguiente:

- (a) Condiciones que resulten de una intervención no autorizada, un mal uso, un ajuste inapropiado (a menos de que los hubieran efectuado un distribuidor o un centro de servicio autorizado de Shindaiwa Corporation, en el curso de una reparación de garantía), una alteración, accidente, omisión en el uso del combustible y aceite recomendados o de una omisión en el cumplimiento de los servicios de mantenimiento requeridos,
- (b) Los repuestos usados para los servicios de mantenimiento requeridos,
- (c) Partes consecuenciales utilizadas para efectuar los servicios de mantenimiento requeridos,
- (d) Cuotas de diagnóstico e inspección que no resulten en servicios cubiertos por la garantía,
- (e) Todo repuesto no autorizado o la falla de partes autorizadas que pudieran deberse al uso de partes no autorizadas.

REQUISITOS DE MANTENIMIENTO Y REPARACIÓN

Usted es responsable del uso y mantenimiento correctos del motor. Usted deberá conservar todos los comprobantes y registros de mantenimiento que cubran la realización de mantenimiento regular en caso de que surjan preguntas. Estos comprobantes y los registros de mantenimiento deberán ser transferidos a cada propietario subsiguiente del motor. Shindaiwa Corporation se reserva el derecho a negar la cobertura de garantía si el propietario no ha mantenido correctamente el motor. Shindaiwa Corporation, sin embargo, no negará reparaciones bajo garantía por el solo hecho de no haberse efectuado reparaciones o mantenimiento o por la omisión de mantener registros de mantenimiento.

EL MANTENIMIENTO, REEMPLAZO O REPARACIÓN DE DISPOSITIVOS Y SISTEMAS DE CONTROL DE EMISIONES PUEDE SER REALIZADO POR CUALQUIER ESTABLECIMIENTO O PERSONA DEDICADOS A ELLO; SIN EMBARGO, LAS REPARACIONES CUBIERTAS POR LA GARANTÍA DEBEN SER LLEVADAS A CABO POR UN DISTRIBUIDOR O CENTRO DE SERVICIO AUTORIZADO POR SHINDAIWA CORPORATION EL EMPLEO DE PIEZAS QUE NO SON EQUIVALENTES EN RENDIMIENTO Y DURABILIDAD A LAS PIEZAS AUTORIZADAS PUEDE REDUCIR LA EFECTIVIDAD DEL SISTEMA DE CONTROL DE EMISIONES Y PUEDE AFECTAR EL RESULTADO DE UNA RECLAMACIÓN DE GARANTÍA.

Si se utilizaran piezas no autorizadas por Shindaiwa Corporation para reemplazos por mantenimiento o reparación de componentes que afecte el control de emisiones, se deberá asegurar que dichas piezas estén garantizadas por el fabricante como equivalentes a las piezas autorizadas por Shindaiwa Corporation en lo relativo al rendimiento y durabilidad.

SOLICITUDES DE SERVICIO DE GARANTÍA

Toda reparación realizada conforme a los términos de esta garantía limitada deberá ser llevada a cabo por un distribuidor autorizado por Shindaiwa Corporation.

Si cualquier pieza vinculada con las emisiones es encontrada defectuosa durante el período de garantía, es su responsabilidad presentar el producto a un distribuidor autorizado de Shindaiwa. Presente sus comprobantes de venta en los que aparezca la fecha de compra del motor. El distribuidor autorizado de Shindaiwa Corporation llevará a cabo las reparaciones o ajustes necesarios en un lapso razonable, suministrándole una copia de dicha orden de reparación. Todas las piezas y accesorios reemplazados bajo esta garantía pasarán a ser propiedad de Shindaiwa Corporation.

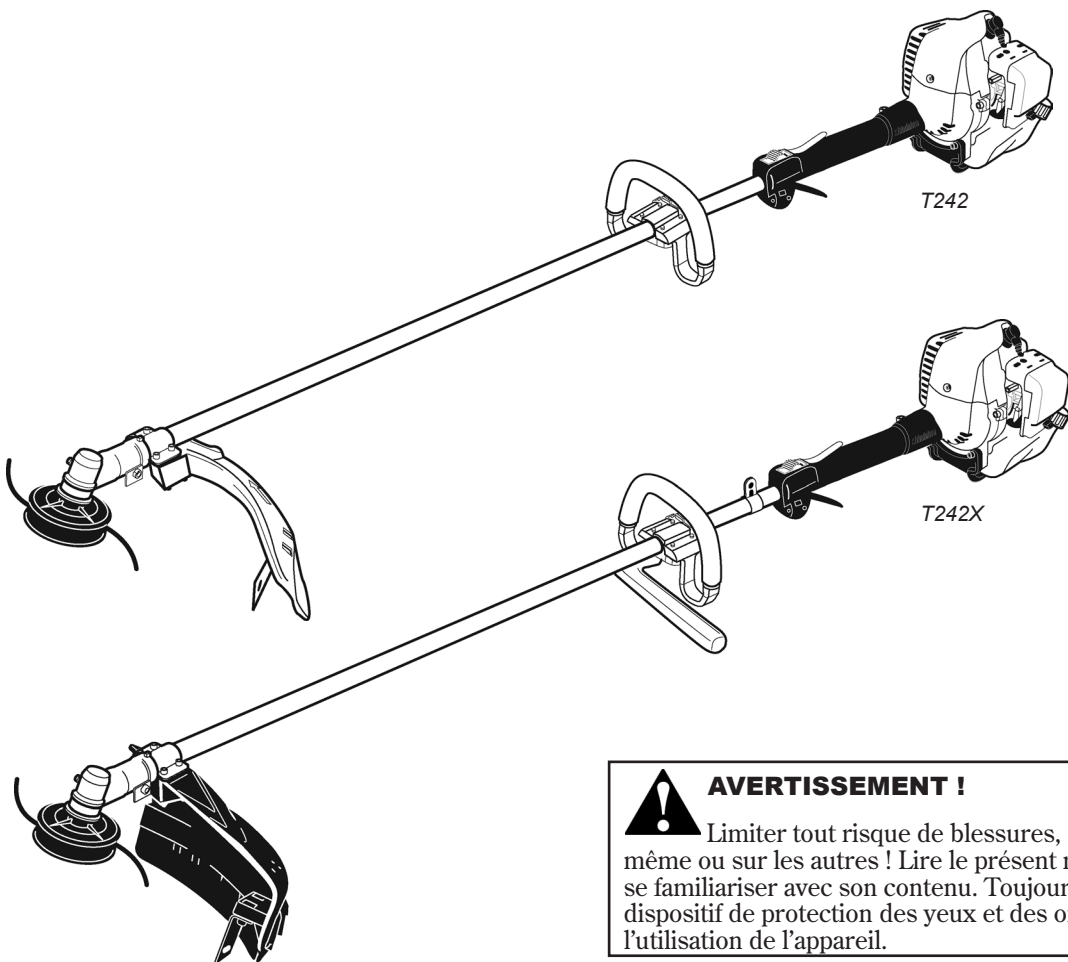
Para localizar a un agente de servicio Shindaiwa más cercano a usted, favor de ponerse en contacto con su distribuidor Shindaiwa. Para obtener el nombre y el número telefónico del distribuidor de Shindaiwa en su localidad, comuníquese con Shindaiwa Inc., al (503) 692-3070 de 8:00 a.m. a 5:00 p.m., hora del Pacífico.

ESTA GARANTÍA ES ADMINISTRADA POR:

Shindaiwa Inc.
11975 S.W. Herman Rd.
Tualatin OR 97062
(503) 692-3070

MANUEL D'UTILISATION SHINDAIWA

COUPE-BORDURE T242/T242X



AVERTISSEMENT !

Limiter tout risque de blessures, sur soi-même ou sur les autres ! Lire le présent manuel et se familiariser avec son contenu. Toujours porter un dispositif de protection des yeux et des oreilles pendant l'utilisation de l'appareil.

shindaiwa

Numéro de référence 81643 Rév. 1/07

Introduction

La série d'équipement motorisé à main Shindaiwa 242 a été conçue et fabriquée dans le but d'offrir une performance et une fiabilité supérieures sans compromettre la qualité, le confort, la sécurité ou la durabilité.

Les moteurs Shindaiwa sont à la fine pointe de la technologie des moteurs performants et offrent un rendement exceptionnel, avec une cylindrée remarquablement basse et une conception des plus légères. Comme propriétaire ou utilisateur, vous comprendrez vite pourquoi Shindaiwa est tout simplement une classe en soi !

IMPORTANT !

Les renseignements contenus dans le présent manuel d'utilisation décrivent les appareils disponibles au moment de la fabrication.

Shindaiwa Inc. se réserve le droit d'apporter des modifications au produit sans préavis et se dégage de toute obligation d'apporter des modifications aux appareils déjà fabriqués.

AVERTISSEMENT ! Les gaz d'échappement du moteur de cet appareil contiennent des produits chimiques reconnus, dans l'état de Californie, comme susceptibles de provoquer le cancer, des anomalies congénitales et d'autres troubles de la reproduction.

Table des matières

PAGE

Mises en garde.....	2
Mesures de sécurité.....	2
Étiquettes de sécurité.....	4
Nomenclature.....	5
Caractéristiques techniques.....	5
Assemblage et réglage.....	6
Mélange de carburant.....	9
Démarrage du moteur.....	9
Arrêt du moteur.....	10
Réglage du ralenti du moteur.....	10
Contrôle de l'état de l'appareil.....	11
Bretelle.....	11
Coupe d'herbe—Appareils équipés d'une tête de coupe.....	11
Utilisation d'une lame T242X.....	12
Entretien.....	13
Remisage à long terme.....	16
Guide de dépannage.....	17
Déclaration de garantie du système de contrôle des émissions.....	19

Mises en garde

Des « mises en garde » spéciales apparaissent tout au long du manuel.



AVERTISSEMENT !

Un énoncé précédé du symbole triangulaire de mise en garde et du mot « AVERTISSEMENT » contient des informations à prendre en compte pour éviter des blessures graves.

MISE EN GARDE !

Un énoncé précédé de la mention « MISE EN GARDE » contient des informations à prendre en compte pour éviter d'endommager l'appareil.

IMPORTANT !

Un énoncé précédé du mot « IMPORTANT » contient des informations d'une importance particulière.

REMARQUE :

Un énoncé précédé du mot « REMARQUE » contient des informations utiles pouvant faciliter votre travail.



Lire et suivre les consignes de ce manuel d'utilisation. Dans le cas contraire pourraient s'en suivre des blessures graves.



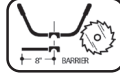
Il est recommandé de porter des dispositifs de protection pour les yeux et pour les oreilles à tout moment pendant l'utilisation de l'appareil.



Tenir les observateurs à 15 mètres au moins de l'aire d'utilisation de l'appareil.



Attention aux objets projetés ou aux ricochets.



Ne pas utiliser cet appareil avec une lame sans que celui-ci ne soit équipé d'un guidon ou d'une barre de sécurité homologué(e) par Shindaiwa.



Toujours porter un harnais lors de l'utilisation d'un appareil équipé d'une lame. Un harnais est également recommandé lors de l'utilisation d'un fil de coupe.



Si l'appareil est utilisé comme débroussailluse, attention au rebond. Le phénomène de coincement de la lame peut provoquer un mouvement soudain et une perte de contrôle de l'appareil.

IMPORTANT !

Les procédures d'utilisation décrites dans ce manuel visent à vous aider à tirer le maximum de votre appareil et à vous protéger (vous-mêmes et les autres) contre les blessures. Ces procédures constituent uniquement des consignes de sécurité couvrant la plupart des conditions d'utilisation, et ne remplacent en aucun cas les autres mesures de sécurité et lois en vigueur dans votre région. Pour toute question sur votre équipement motorisé à main Shindaiwa série 242 ou pour toute clarification sur les renseignements contenus dans le présent manuel, votre vendeur Shindaiwa se fera un plaisir de vous aider. Pour toute information complémentaire, vous pouvez également contacter Shindaiwa, Inc. à l'adresse imprimée au verso du manuel.

Mesures de sécurité

Sécurité au travail

Les coupe-bordure Shindaiwa fonctionnent à très haute vitesse et peuvent causer de sérieux dommages et de sérieuses blessures s'ils sont mal utilisés ou si on en fait un emploi abusif. *Ne jamais laisser le coupe-bordure entre les mains d'une personne qui n'a pas lu le mode d'emploi !*



AVERTISSEMENT !

Ne jamais installer d'accessoires non approuvés. Ne jamais utiliser des accessoires dont l'installation sur cet appareil n'est pas homologué par Shindaiwa.

Demeurer alerte

Vous devez être physiquement et mentalement alerte pour utiliser cet appareil en toute sécurité.



AVERTISSEMENT !

Ne jamais utiliser d'équipement motorisé si vous êtes fatigué, sous l'influence d'alcool, de drogues ou de toute autre substance qui pourrait nuire à votre concentration ou à votre jugement.



AVERTISSEMENT ! Réduire les risques d'incendie

NE JAMAIS fumer ou allumer de feu à proximité du moteur.

TOUJOURS arrêter le moteur et le laisser refroidir avant de faire le plein. Éviter de trop remplir le réservoir et essuyer toute essence qui pourrait avoir débordé.

TOUJOURS vérifier les fuites de carburant avant chaque usage. À chaque remplissage, s'assurer que le carburant ne s'écoule pas du bouchon et/ou du réservoir à carburant. En cas de fuite apparente, cesser immédiatement d'utiliser l'appareil. Réparer toute fuite d'essence avant d'utiliser l'appareil.

TOUJOURS déplacer l'appareil à bonne distance de l'aire de remplissage ou d'autres substances inflammables avant de démarrer le moteur.

NE JAMAIS placer de matière inflammable à proximité du silencieux du moteur.

NE JAMAIS utiliser le moteur sans pare-étincelles, et sans que celui-ci ne fonctionne correctement.

Mesures de sécurité



AVERTISSEMENT !

Faire preuve de prudence

TOUJOURS porter un dispositif de protection des yeux pour se protéger contre les objets projetés.

NE JAMAIS faire fonctionner le moteur lors du transport de l'appareil.

NE JAMAIS faire fonctionner le moteur à l'intérieur ! S'assurer qu'il y a toujours une bonne ventilation. Les gaz émanant du tuyau d'échappement peuvent causer de graves blessures, voire causer la mort.

TOUJOURS dégager votre espace de travail de tout rebut ou débris dissimulé qui pourrait être projeté sur vous-même ou sur toute personne à proximité.

TOUJOURS utiliser des outils de coupe adéquats pour la tâche à accomplir.

TOUJOURS arrêter l'appareil s'il se met à vibrer ou s'il devient instable. Inspecter l'appareil pour détecter toutes pièces ou tous accessoires brisés, mal installés ou manquants éventuels.

NE JAMAIS excéder la longueur du fil de coupe spécifiée pour votre appareil.

TOUJOURS tenir l'appareil aussi propre que possible. Enlever toute accumulation d'herbes, terre, etc.

TOUJOURS tenir l'appareil fermement avec les deux mains pour couper ou émonder et garder le contrôle en tout temps.

TOUJOURS garder les poignées propres.

TOUJOURS débrancher le fil de bougie avant de faire des travaux d'entretien.

TOUJOURS arrêter l'appareil immédiatement si la lame se coince pendant la coupe. Pousser la branche ou l'arbre pour décoincer et dégager la lame.

Équipement complet de l'utilisateur

Porter des vêtements ajustés pour protéger vos bras et jambes. Les gants assurent une protection supplémentaire des mains. Ne pas porter de vêtements ou de bijoux qui pourraient facilement se coincer dans l'appareil ou les broussailles. Attacher les cheveux longs au-dessus du niveau des épaules. **NE JAMAIS** porter de shorts !

Porter un dispositif de protection pour les oreilles et un casque de sécurité.

Toujours porter un dispositif de protection pour les yeux comme une visière ou des lunettes de sécurité.

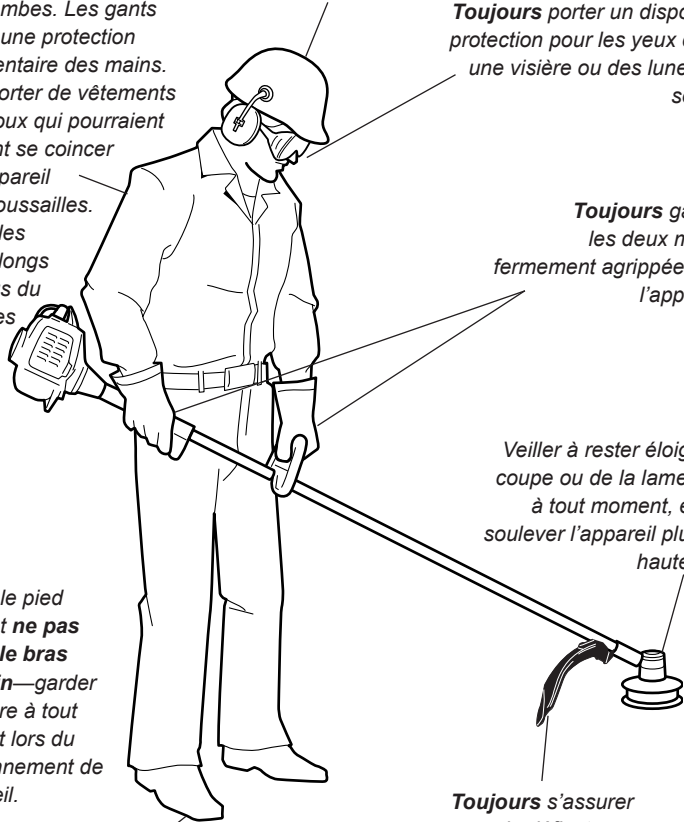
Toujours garder les deux mains fermement agrippées sur l'appareil.

Veiller à rester éloigné du fil de coupe ou de la lame en rotation à tout moment, et ne jamais soulever l'appareil plus haut qu'à hauteur de taille.

Garder le pied ferme et **ne pas tendre le bras trop loin**—garder l'équilibre à tout moment lors du fonctionnement de l'appareil.

Porter des chaussures appropriées (bottes ou chaussures antidérapantes) : ne pas porter de sandales ou de chaussures à bouts ouverts. **Ne jamais utiliser l'appareil nu-pieds !**

Figure 1



Toujours s'assurer que le déflecteur de l'accessoire de coupe approprié est correctement installé et en bon état.

Tenir compte de l'environnement de travail

Éviter toute utilisation prolongée à température très chaude ou très froide.

S'assurer que les personnes ou observateurs situés à l'extérieur de la « zone de danger » de 15 mètres portent un dispositif de protection pour les yeux.

15 MÈTRES

Réduire les risques de blessures des personnes à proximité par projection de débris. Garder les observateurs à au moins 15 mètres (environ 16 pas) d'un accessoire en cours d'utilisation.

En cas d'utilisation en terrain rocailleux ou près de câbles ou de clôtures en fil de fer, faire extrêmement attention à ne pas faire entrer l'accessoire de coupe en contact avec de tels objets.

Toujours s'assurer que le déflecteur de l'accessoire de coupe approprié est correctement installé.

En cas de contact avec un objet dur, arrêter le moteur et inspecter l'accessoire de coupe.

Tenir compte en permanence des objets et débris pouvant être projetés par l'accessoire de coupe en rotation ou pouvant rebondir sur une surface dure.

Faire preuve d'une extrême prudence sur terrain glissant, en particulier par temps de pluie.

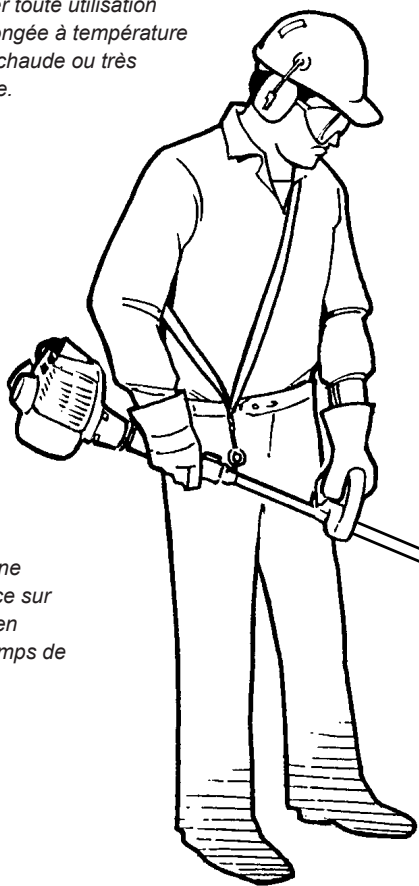


Figure 2

Étiquettes de sécurité

IMPORTANT !

Étiquettes informatives relatives au fonctionnement et à la sécurité : veiller à ce que les étiquettes informatives soient intactes et lisibles. Remplacer immédiatement toute étiquette manquante ou endommagée. De nouvelles étiquettes sont disponibles auprès du représentant Shindaiwa autorisé local.

Cette étiquette indique la distance minimum entre la poignée avant et la poignée arrière, conformément à la norme ANSI B175.3.



PLACER LA POIGNÉE DEAVANT CETTE ÉTIQUETTE

PLACER LA POIGNÉE DEAVANT CETTE ÉTIQUETTE

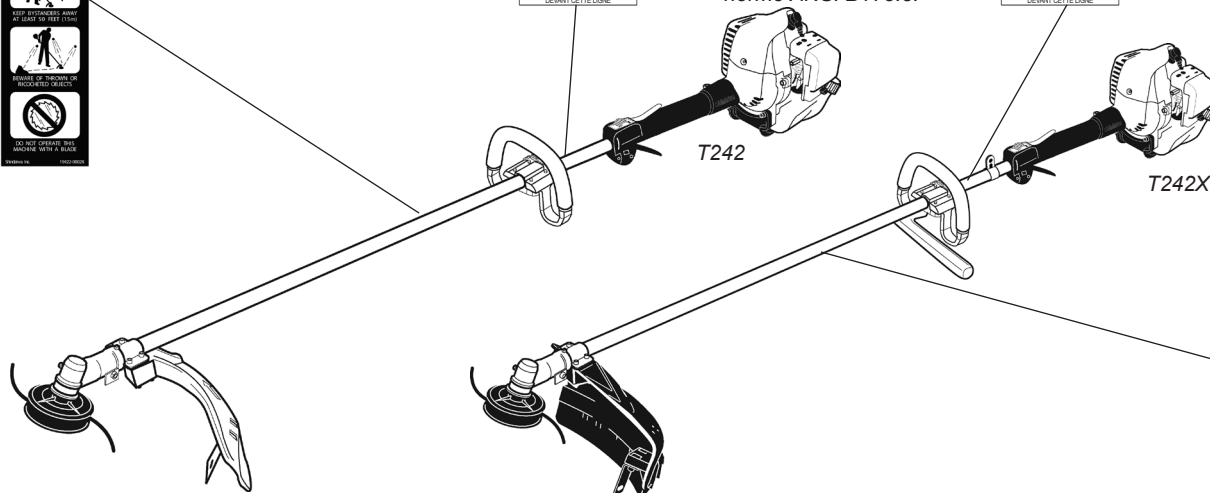


Figure 3

Nomenclature

En utilisant les illustrations d'accompagnement comme guide, se familiariser avec l'appareil et ses différentes composantes. Voir figure 4. Comprendre l'appareil permet d'obtenir une performance optimale, de prolonger sa vie utile et favorise une utilisation plus sécuritaire.

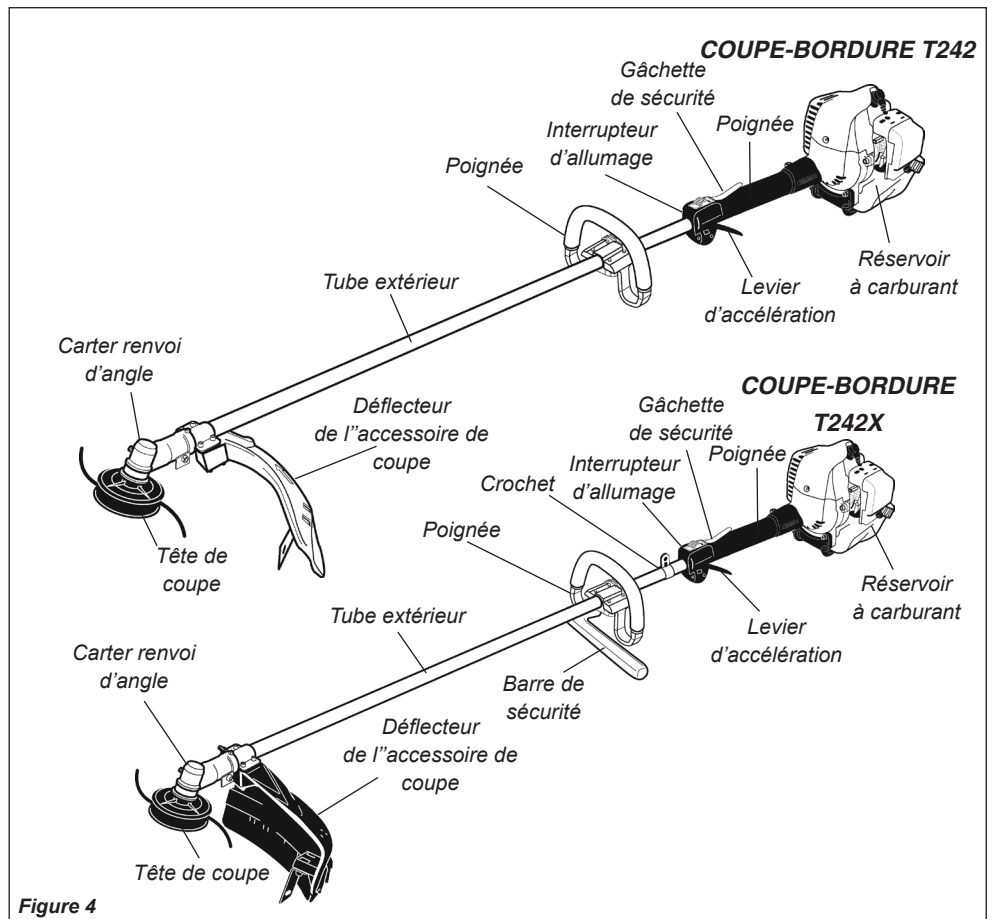


AVERTISSEMENT !

N'apporter de modifications non autorisées à aucun de ces appareils ou à leurs composantes.

IMPORTANT !

Les termes « gauche », « à gauche » et « vers la gauche » ; « droite », « à droite » et « vers la droite » ; « avant » et « arrière » font référence à la direction telle que vue par l'opérateur lors d'une utilisation normale de l'appareil.



Caractéristiques techniques

Poids à sec, T242 (sans accessoires).....	5,1 kg
Poids à sec, T242X (sans accessoires).....	5,4 kg
Modèle du moteur.....	S242E
Type de moteur.....	catalyseur deux temps
Alésage x stroke.....	33 x 28 mm
Cylindrée.....	23,9 cc
Puissance maximale.....	0,8 kW 8.000 tr/min (min ⁻¹)
Rapport huile/carburant.....	50:1 avec de l'huile pour moteur à deux temps de catégorie ISO-L-EGD ou JASO FC*
Type de carburateur.....	Walbro WYK, à diaphragme
Capacité du réservoir.....	670 ml
Allumage.....	Monobloc par transistor

Bougie.....	BPMR6A
Type de filtre à air.....	Élément de filtre en mousse non réversible
Démarrage.....	Lanceur à rappel
Arrêt.....	Interrupteur
Type de transmission.....	Automatique, embrayage centrifuge avec pignon conique
Période de conformité aux normes d'émission EPA**.....	Catégorie A



* est conforme ou supérieur à ces caractéristiques techniques et recommandé pour tous les produits Shindaiwa.

** La conformité aux normes d'émissions EPA, mentionnée sur l'étiquette de contrôle des émissions située sur le moteur, indique le nombre d'heures de fonctionnement pour lesquelles le moteur est conforme aux exigences fédérales concernant les émissions. Catégorie C = 50 heures (Modéré), B = 125 heures (Intermédiaire) et A = 300 heures (Étendu).

Les caractéristiques techniques sont susceptibles d'être modifiées sans préavis.

Cet appareil est fourni complètement assemblé, à l'exception du déflecteur de l'accessoire de coupe et de l'accessoire de coupe.

Avant l'assemblage

Avant d'assembler l'appareil, s'assurer que toutes les composantes requises pour l'appareil sont présentes et inspecter l'appareil et ses composantes pour y déceler tout dommage éventuel.

- Assemblage moteur et arbre
- Déflecteur de l'accessoire de coupe
- Accessoire de coupe
- L'ensemble comprend le déflecteur de l'accessoire de coupe, le support de montage et la visserie requise, le présent manuel d'utilisation ainsi que la trousse nécessaire à l'entretien régulier. La trousse d'outils varie selon le modèle et peut comprendre une clé à bougie et un racleur.

Assemblage et réglage

Réglage du jeu du levier d'accélération

Le jeu du levier d'accélération doit être réglé à environ 4-6 mm. Voir figure 6. S'assurer que le levier d'accélération fonctionne en douceur, sans se coincer. S'il est nécessaire de régler le jeu du levier d'accélération, suivre les instructions fournies par les procédures et illustrations ci-dessous.

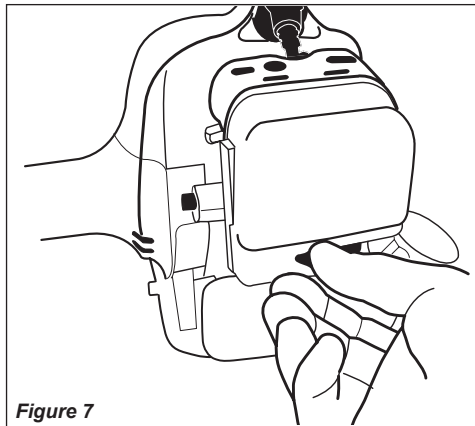
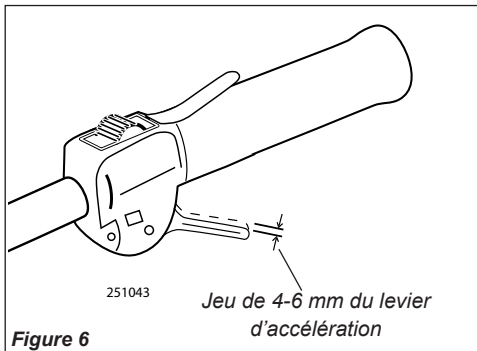


Figure 7

1. Desserrer le bouton du couvercle du filtre à air et retirer le couvercle du filtre à air. Voir figure 7.
2. Desserrer l'écrou du système de réglage. Voir figure 8.

3. Serrer ou desserrer le système de réglage du câble d'accélération de façon à obtenir un jeu adéquat de 4-6 mm. Voir figure 8.

4. Serrer l'écrou.

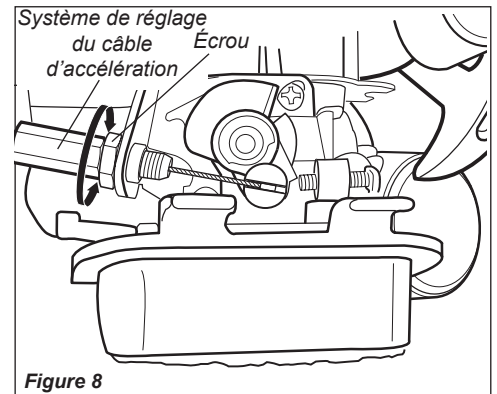
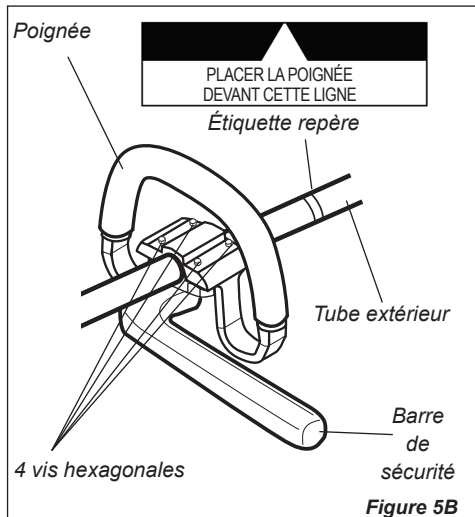
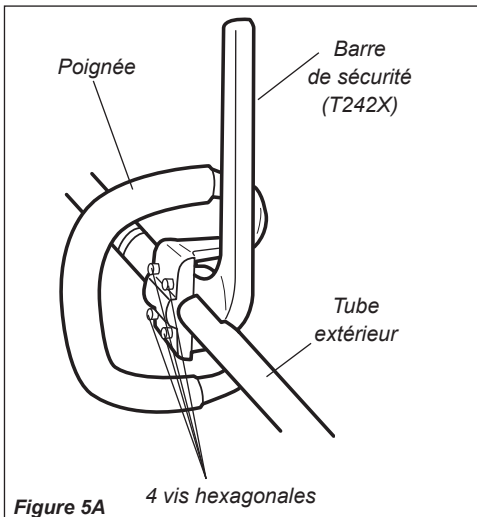


Figure 8

5. Réinstaller le couvercle du filtre à air.

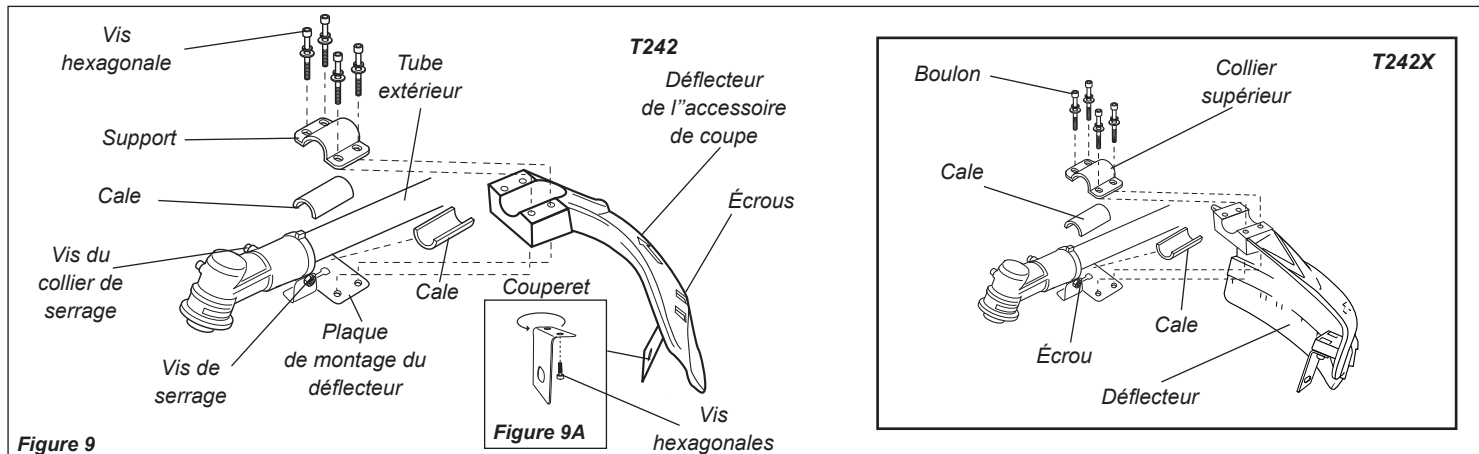
Poignée



1. La poignée est fixée sur le tube extérieur en usine et positionnée verticalement. Voir figure 5A.
2. Desserrer les quatre vis hexagonales sur la poignée et faire pivoter la poignée de 90 degrés. Voir figure 5B.
3. Positionner la poignée devant l'étiquette repère de façon à offrir un confort optimal à l'utilisateur (à environ 25 cm de l'extrémité du corps de l'accélérateur).
4. Fixer la poignée en serrant alternativement les quatre vis hexagonales en diagonale ou en croix.

Assemblage et réglage

Défecteur



Installation du déflecteur T242/T242X.

1. Insérer le déflecteur de l'accessoire de coupe entre le tube extérieur et la plaque de montage du déflecteur. Voir figure 9.

REMARQUE :

Il peut être nécessaire de desserrer la vis de serrage pour ajuster la plaque de montage du déflecteur.

2. Fixer les deux cales et le support sur le tube extérieur et fixer sans serrer les quatre vis hexagonales. Voir figure 9.

MISE EN GARDE !

S'assurer que l'écrou, la cale et la vis de serrage sont fermement serrés avant de serrer les quatre vis hexagonales.

3. Serrer les quatre vis hexagonales afin que le déflecteur soit fermement fixé.
4. Resserrer les vis de serrage.

AVERTISSEMENT !

NE JAMAIS faire fonctionner l'appareil sans avoir installé le déflecteur et s'être assuré qu'il est solidement fixé !

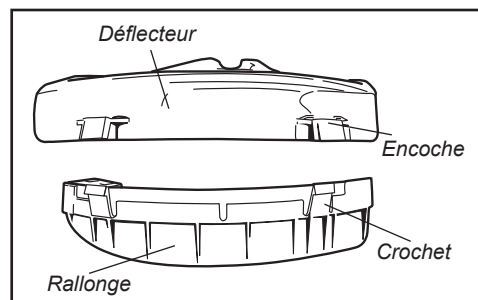
Rallonge T242X

(lorsque la tête de coupe est utilisée)

1. Fixer la rallonge sur le déflecteur de l'accessoire de coupe.

AVERTISSEMENT !

NE JAMAIS utiliser l'appareil sans la rallonge lors de l'utilisation de la tête de coupe.

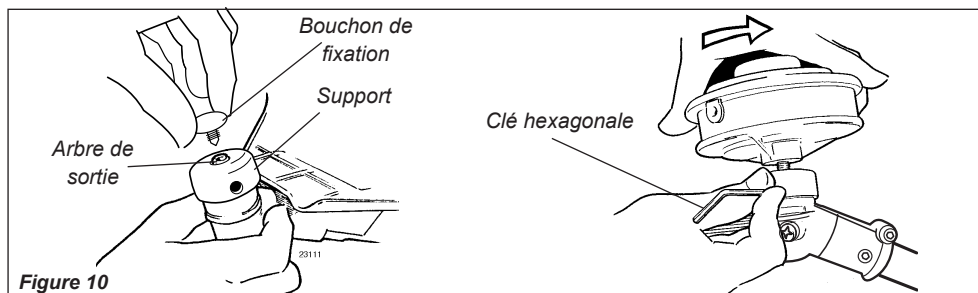


MISE EN GARDE !

S'assurer que la rallonge est correctement fixée au niveau des encoches.

Assemblage

Tête de coupe



Installer la tête de coupe.

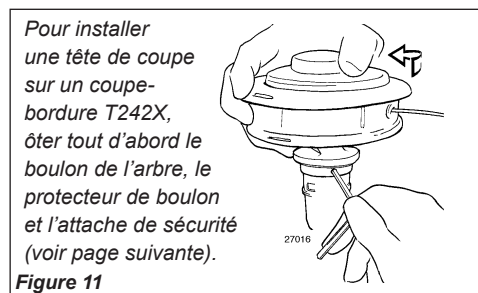
1. Retourner le coupe-bordure de façon à positionner l'arbre de sortie du carter renvoi d'angle sur le dessus.
2. Enlever et jeter le capuchon protecteur en plastique noir de l'arbre de sortie. Voir figure 10.
3. Faire tourner le support jusqu'à ce que le trou du support soit au même niveau que l'encoche du carter renvoi d'angle. Utiliser l'extrémité allongée de la clé pour positionner et bloquer l'arbre de sortie. Voir figure 10.
4. Tout en maintenant la clé hexagonale, faire passer la tête de coupe dans l'arbre de sortie en tournant en sens antihoraire. Par pression manuelle uniquement, serrer la tête de coupe fermement sur l'arbre de sortie.

IMPORTANT !

Le filet de la tête de coupe est situé à gauche. Tourner la tête de coupe en sens horaire pour le retrait.

5. Ôter la clé hexagonale.
6. Ajuster la longueur du fil de coupe de façon à ce qu'il ne dépasse pas le couperet sur le déflecteur. Raccourcir si nécessaire.

L'appareil doit maintenant être entièrement assemblé et être utilisable avec une lame.



Pour installer une tête de coupe sur un coupe-bordure T242X, ôter tout d'abord le boulon de l'arbre, le protecteur de boulon et l'attache de sécurité (voir page suivante).

Figure 11

AVERTISSEMENT !

Ne JAMAIS faire fonctionner un coupe-bordure à poignée circulaire avec des accessoires comportant une lame. Un coupe-bordure comportant une lame doit être équipé d'un guidon ou d'une barre de sécurité situés devant l'utilisateur pour limiter les risques de contact entre l'utilisateur et l'accessoire de coupe (conformément à la norme ANSI B175.3). Lors de l'utilisation d'une lame, l'appareil doit également être équipé d'un harnais ou d'une bretelle.

Assemblage Lame T242X

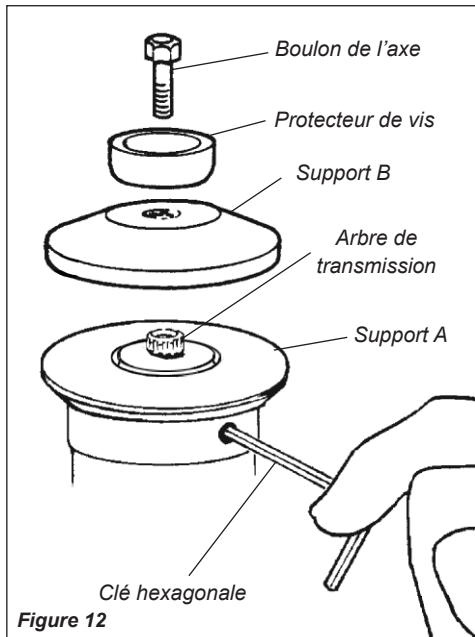
Installer la lame.

Retourner le T242X de façon à positionner l'arbre de sortie du carter renvoi d'angle sur le dessus ; ôter le boulon de l'arbre, le protecteur de boulon et le support B de l'arbre du carter renvoi d'angle.

1. Mettre le trou du support de lame A au même niveau que le trou de la bride du carter renvoi d'angle, et bloquer temporairement l'arbre de sortie en insérant une clé hexagonale dans les deux trous. Voir figure 12.
2. Placer la lame sur la bride du support A.
3. Installer le support de lame B sur l'arbre de sortie. Voir figure 13.

MISE EN GARDE !

Installer la lame de façon à ce que sa surface imprimée soit visible à l'utilisateur lorsque la débroussailleuse est en position normale d'utilisation.



AVERTISSEMENT !

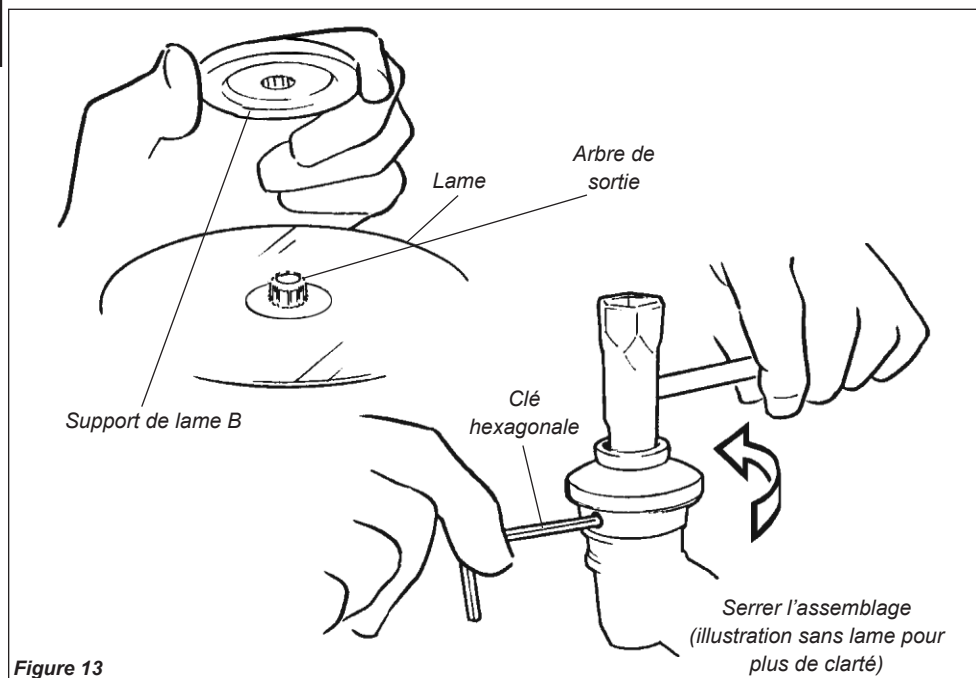
La lame doit être fixée à plat contre la bride du support. Le trou de montage de la lame doit être centré sur le bossage rehaussé du support de lame A.

AVERTISSEMENT !

Le support B doit être en appui contre la lame et les cannelures engagées dans l'arbre de sortie.

4. Installer le protecteur de boulon puis le boulon de retenue de la lame. À l'aide de la clé à bougie, serrer fermement le boulon en sens antihoraire.
5. Ôter la clé hexagonale.

Le T242X doit maintenant être entièrement assemblé et être utilisable avec une lame.



Mélange de carburant

MISE EN GARDE !

Certains carburants contiennent de l'alcool comme oxygénant. Le carburant oxygéné peut causer l'augmentation des températures de fonctionnement. Dans certaines situations, le carburant à base d'alcool peut également faire diminuer les propriétés lubrifiantes de certains mélanges d'huile pour moteur à deux temps. Ne jamais utiliser une essence contenant plus de 10 % d'alcool par volume. Les huiles génériques et certaines huiles pour moteurs hors-bord risquent de ne pas convenir à l'utilisation dans les moteurs à deux temps à haut rendement refroidis à l'air. Ne jamais les utiliser avec les outils Shindaiwa !

MISE EN GARDE !

Ce moteur est conçu pour fonctionner avec un mélange d'essence sans plomb et d'huile de catégorie ISO-L-EGD ou JASO FC pour moteur à deux temps seulement, dans une proportion de 50:1. L'utilisation de mélanges d'huile non autorisés risque d'entraîner une accumulation excessive de dépôt de calamine.

- Utiliser uniquement de l'essence sans plomb propre dont l'indice d'octane est égal ou supérieur à 87.
- Mélanger l'essence avec une huile pour moteurs à deux temps dont les caractéristiques sont conformes ou supérieures **aux exigences des normes ISO-L-EGD et/ou JASO FC** selon un rapport de 50:1.

Exemples de quantités de mélange de carburant à 50:1

- 3,79 litres d'essence pour 76,9 ml d'huile
- 5 litres d'essence pour 100 ml d'huile

IMPORTANT !

Uniquement préparer la quantité dont vous avez besoin dans l'immédiat ! Si le carburant doit être remis plus de 30 jours et que l'huile ^{shindaiwa} **ONE** avec stabilisateur n'est pas utilisée, il est préférable de la stabiliser à l'aide d'un produit adapté.

shindaiwa
ONE

est une huile conforme à la norme JASO FC, et satisfait également aux exigences de la norme ISO-L-EGD relative aux performances. L'huile Shindaiwa One est préconisée pour tous les moteurs à émissions réduites de Shindaiwa, et contient également un stabilisateur.

Remplissage du réservoir à carburant



AVERTISSEMENT !

Réduire les risques d'incendie !

- ARRÊTER le moteur avant de faire le plein.
- TOUJOURS laisser refroidir le moteur avant de faire le plein !
- Nettoyer tout débordement d'essence et déplacer le moteur à au moins 3 mètres du lieu et de la source de remplissage avant de redémarrer !
- NE JAMAIS démarrer ou faire fonctionner cet appareil en cas de fuite de carburant.

- NE JAMAIS démarrer ou faire fonctionner cet appareil si le carburateur, les conduits d'alimentation, le réservoir à carburant ou le bouchon du réservoir à carburant sont endommagés.
- NE JAMAIS fumer ou allumer de feu à proximité du moteur ou d'une source de carburant !
- NE JAMAIS placer de matière inflammable à proximité du silencieux du moteur !
- NE JAMAIS utiliser le moteur sans silencieux ou sans pare-étincelles, et sans que ceux-ci ne fonctionnent correctement.

1. Placer l'appareil sur une surface plane et stable.
2. Enlever tout débris ou toute saleté du bouchon du réservoir de carburant.
3. Enlever le bouchon du réservoir et verser du carburant propre dans le réservoir.
4. Remettre le bouchon sur le réservoir de carburant et serrer fermement.

Démarrage du moteur

IMPORTANT !

L'allumage du moteur est commandé par un interrupteur à deux positions (marche/arrêt) monté sur le corps de l'accélérateur. En général, ce bouton porte l'inscription « I » pour DÉMARRAGE et « O » pour ARRÊT.

IMPORTANT !

Le système d'amorçage ne fait qu'injecter du carburant dans le carburateur. L'appui répétitif de la pompe d'amorçage ne noiera pas le moteur de carburant.

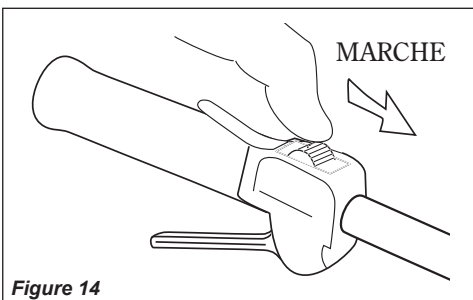


Figure 14

1. Glisser l'interrupteur d'allumage sur la position « I » (MARCHÉ). Voir figure 14.
2. Presser à plusieurs reprises la pompe d'amorçage du carburateur jusqu'à voir le carburant circuler dans le tube de retour transparent.

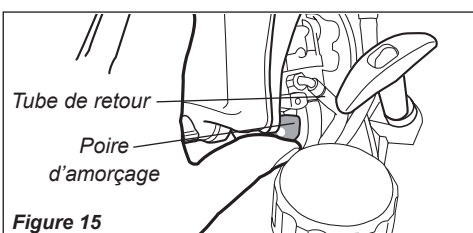


Figure 15

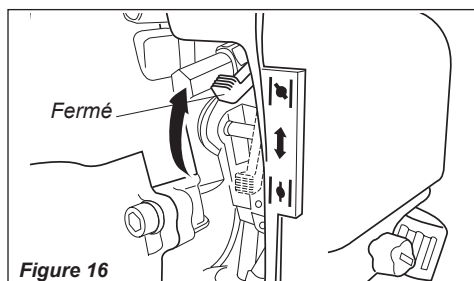


Figure 16

3. Mettre le levier de starter en position « FERMÉ » quand le moteur est froid.

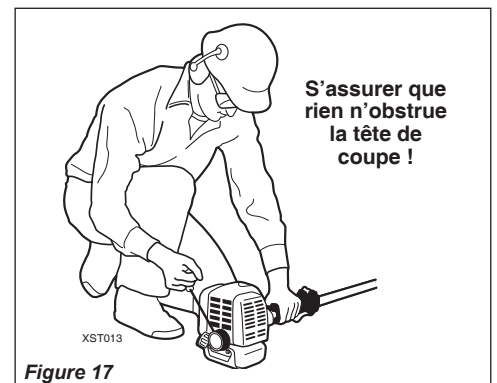


Figure 17

4. Tout en tenant fermement le tube extérieur de la main gauche, de la main droite, tirer sur la poignée du démarreur (vers le haut), lentement, jusqu'à ce que vous sentiez le moteur s'engager.

MISE EN GARDE !

Ne jamais tirer la corde de démarrage à rappel jusqu'au bout. Tirer complètement la corde de démarrage à rappel risque d'endommager le démarreur.

Démarrage du moteur (suite)



AVERTISSEMENT !

L'accessoire de coupe risque de tourner lorsque le moteur démarre !

5. Quand le moteur démarre, abaisser lentement le levier de starter vers la position « OUVERT ». Voir figure 18. (Si le moteur arrête après le premier démarrage, fermer le starter et recommencer.)

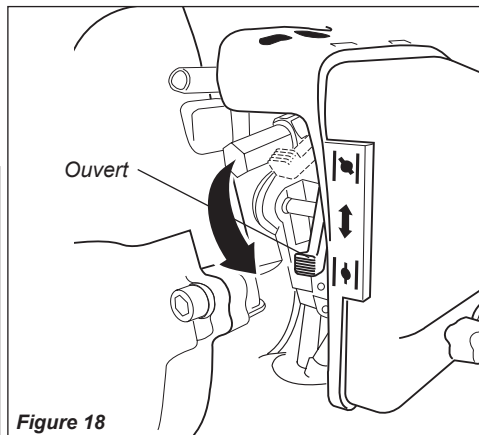


Figure 18



AVERTISSEMENT !

Ne jamais démarrer l'appareil en position d'utilisation.

IMPORTANT !

Si le moteur ne démarre pas après plusieurs tentatives alors que le starter est en position « fermée », il est peut-être noyé. Si vous pensez que le moteur est noyé, déplacer le levier de starter en position « ouverte » et tirer plusieurs fois sur la corde de démarrage à rappel pour éliminer l'excédent de carburant et démarrer le moteur. Si le moteur ne démarre toujours pas, consulter la section de dépannage du présent manuel.

Lorsque le moteur démarre...

- Une fois le moteur démarré, le laisser tourner à faible régime pendant 2 à 3 minutes afin de le laisser chauffer avant d'utiliser l'appareil.
- Une fois le moteur chaud, prendre l'appareil et fixer la bretelle au besoin. Voir page 11.
- Une pression sur le levier d'accélération accélère le mouvement de rotation de l'accessoire de coupe, le relâchement de l'accélérateur permet à l'accessoire de coupe de cesser de tourner. Si l'accessoire de coupe continue de tourner alors que le moteur tourne au ralenti, il faut régler le régime de ralenti du carburateur (voir « Réglage du carburateur », ci-dessous).

Arrêt du moteur

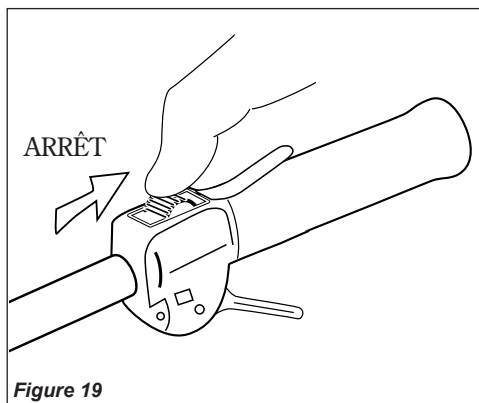


Figure 19

Laisser tourner le moteur au ralenti quelques instants avant de l'arrêter, puis faire glisser l'interrupteur d'allumage en position d'arrêt (moteur ARRÊTÉ).

Réglage du ralenti du moteur

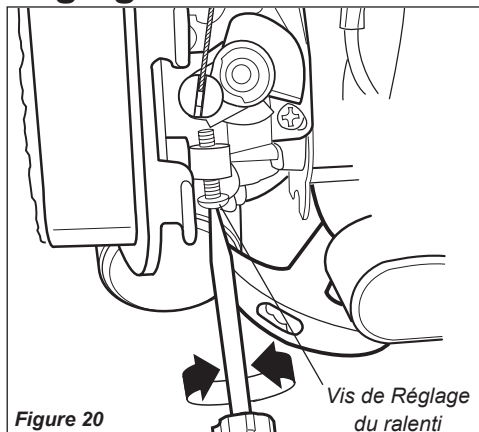


Figure 20

Le moteur doit retourner au ralenti lorsque le levier d'accélération est relâché. Le régime de ralenti est réglable ; il doit être réglé assez bas pour que l'embrayage se désengage et que l'accessoire de coupe cesse de tourner lorsque le levier d'accélération est relâché.

Réglage du ralenti



AVERTISSEMENT !

L'accessoire de coupe ne doit JAMAIS tourner quand le moteur est au ralenti ! S'il est impossible de régler le régime de ralenti en suivant les procédures indiquées, retourner l'appareil au vendeur Shindaiwa.

1. Poser le coupe-bordure sur le sol, puis démarrer le moteur et le laisser tourner à bas régime pendant 2-3 minutes jusqu'à ce qu'il soit chaud.
2. Si l'accessoire de coupe tourne lorsque le moteur tourne au ralenti, réduire la vitesse de ralenti en tournant la vis de réglage du ralenti en sens antihoraire. Voir figure 20.
3. Si un tachymètre est disponible, régler la vitesse du ralenti à 3.000 (± 250) tr/min (min^{-1}).
4. Les réglages du mélange de carburant du carburateur sont réalisés en usine et ne peuvent être modifiés sur le terrain.

Contrôle de l'état de l'appareil

NE JAMAIS faire fonctionner l'appareil sans le déflecteur de l'accessoire de coupe ou autres dispositifs de protection !



AVERTISSEMENT !

Un carter d'accessoire de coupe ou tout autre dispositif de protection n'offre pas de garantie de protection contre les ricochets. **TOUJOURS PRENDRE GARDE AUX PROJECTIONS DE DÉBRIS !**

Utiliser uniquement des pièces et accessoires autorisés Shindaiwa avec votre appareil Shindaiwa. Ne pas apporter de modifications à l'appareil sans l'autorisation écrite de Shindaiwa, Inc.

Bretelle T242X

Régler la bretelle de façon à ce que l'épaulette soit bien calée sur l'épaule gauche et que l'accessoire de coupe soit parallèle au sol. S'assurer que tous les crochets et accessoires sont bien fixés.

REMARQUE :

Bien que la bretelle ne soit pas requise lors de l'utilisation d'un coupe-bordure, elle augmente le confort de l'utilisateur lors d'une utilisation prolongée de l'appareil. Voir figure 21.

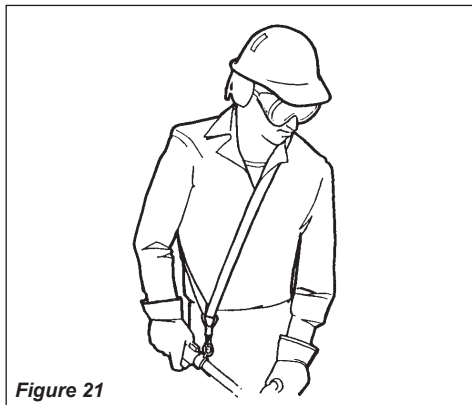


Figure 21

Coupe d'herbe—Appareils équipés d'une tête de coupe

Votre appareil Shindaiwa peut être équipé d'un ou plusieurs modèles de tête de coupe de Shindaiwa ; chaque modèle est adapté à des applications et/ou des exigences fonctionnelles spécifiques.

REMARQUE :

Afin de garantir le bon fonctionnement de l'appareil, toujours se reporter aux instructions fournies avec la tête de coupe utilisée. Les différents types de têtes de coupe disponibles sont les suivants :

- **Semi-automatique.** Le fil de coupe est déroulé lorsque l'utilisateur tape la tête de coupe sur le sol pendant le fonctionnement de l'appareil.
- **Manuel.** L'opérateur déroule manuellement le fil de coupe après avoir arrêté le moteur du coupe-bordure.
- **Fixe.** L'opérateur doit arrêter l'appareil et ajouter manuellement de nouvelles longueurs de fil de coupe.
- **Fléau.** Cet appareil, conçu pour débroussailler les mauvaises herbes et les broussailles peu épaisses, est équipé de trois lames en nylon reliés à la tête de coupe par des points d'articulation.

REMARQUE :

Des outils supplémentaires peuvent être nécessaires pour installer les têtes de coupe de type Fléau.

TOUJOURS s'assurer que l'accessoire de coupe est correctement installé et fermement serré avant toute utilisation.

NE JAMAIS utiliser un accessoire de coupe fendillé ou voilé : le remplacer par un outil de coupe en bon état.

TOUJOURS s'assurer que l'accessoire de coupe se règle correctement sur le support de l'accessoire approprié. Si un accessoire installé correctement vibre, le remplacer par un nouvel accessoire et vérifier une nouvelle fois.

TOUJOURS arrêter le moteur immédiatement et vérifier si l'accessoire de coupe est endommagé après avoir percuté un objet solide, ou si l'appareil devient instable. Ne pas utiliser un outil de coupe brisé ou endommagé.

NE JAMAIS faire fonctionner le moteur à haut régime sans charge. Cela pourrait endommager le moteur.

NE JAMAIS faire fonctionner un appareil dont les vis ou supports d'accessoire sont usés ou endommagés.

Utilisation du T242X avec une lame



AVERTISSEMENT !

Toujours porter une bretelle lors de l'utilisation de cet appareil avec une lame.

REMARQUE :

L'utilisation d'une bretelle avec un appareil équipé de lame vous permet de garder un bon contrôle de l'appareil et de réduire la fatigue due à une utilisation prolongée.

MISE EN GARDE !

Ne pas faire entrer en contact le fil en rotation avec les arbres, les clôtures en fil de fer ou tout autre objet qui risque de s'emmêler ou de casser l'extrémité des fils.

Vitesses de fonctionnement du moteur

Faire tourner le moteur à plein régime pendant la coupe.

MISE EN GARDE !

L'utilisation d'un coupe-bordure sans déflecteur d'accessoire de coupe et avec une longueur de fil excessive peut conduire à une défaillance prématurée de l'embrayage.

MISE EN GARDE !

L'utilisation à bas régime peut conduire à une défaillance prématurée de l'embrayage.

Tenir le coupe-bordure de façon à ce que la tête de coupe soit inclinée légèrement vers la zone à tailler. Pour assurer la longévité de votre fil de coupe, couper uniquement avec le bout du fil de coupe. Couper l'herbe en déplaçant le coupe-bordure de la gauche vers la droite. Maintenir la tête de coupe horizontale. Voir figure 22.



Figure 22

Tailler et tondre la pelouse

Faire les bordures

Incliner la poignée d'environ 100° vers la gauche (à partir de l'horizontale) et avancer tout en maintenant le coupe-bordure à la verticale, comme indiqué sur la figure 23.

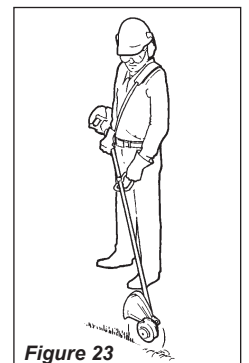


Figure 23

Utilisation d'une lame T242X



AVERTISSEMENT !

- Avant de commencer à travailler avec un appareil équipé de lame, toujours inspecter et dégager l'aire d'utilisation de tout objet qui pourrait entrer en contact avec la lame ou l'endommager.
- Ne jamais utiliser une lame près de trottoirs, poteaux de clôture, bâtiments ou autres objets pouvant causer des blessures ou des dommages.
- Ne jamais utiliser une lame à des fins autres que celles pour lesquelles elle a été conçue.
- Si la lame percute un objet dur, toujours arrêter la débroussailleuse et vérifier si la lame est endommagée. **NE JAMAIS FAIRE FONCTIONNER LA DÉBROUSSAILLEUSE AVEC UNE LAME ENDOMMAGÉE !**
- Un appareil comportant une lame doit être équipé d'un guidon ou d'une barre de sécurité ainsi que d'un harnais ou d'une bretelle.
- Toujours s'assurer que le déflecteur de l'accessoire de coupe est correctement installé avant d'utiliser cet appareil.

Rebond de lame

Le rebond de lame est un mouvement soudain de la débroussailleuse sur les côtés ou vers l'arrière. Une telle situation peut se produire quand la lame se coince ou entre en contact avec un objet comme un jeune arbre ou la souche d'un arbre. **RESTER VIGILANT EN PERMANENCE ET SE PROTÉGER DES EFFETS DU REBOND DE LAME !**

Guidon de débroussailleuse

Le guidon ou la barre de sécurité de la débroussailleuse permet d'empêcher l'utilisateur de faire un mouvement avant, ou l'appareil de faire un mouvement arrière, et évite ainsi un contact corporel par inadvertance avec la lame. **TOUJOURS AVOIR LE GUIDON OU LA BARRE DE SÉCURITÉ EN PLACE SUR L'APPAREIL ET CORRECTEMENT INSTALLÉ !**

Bretelle de débroussailleuse

Une bretelle offre une protection supplémentaire contre le rebond. En outre, une bretelle offre un soutien et un confort significatif pour une utilisation efficace et sans danger.

Lors de l'utilisation d'un T242X équipé d'une lame, s'assurer que la poignée et la bretelle sont réglés à la taille de la personne qui utilise l'appareil.

Vitesses de fonctionnement du moteur

Faire tourner le moteur à plein régime pendant la coupe. Pour une efficacité optimale du carburant, relâcher l'accélérateur lors du retour après une coupe.

- Pour éviter tout endommagement du moteur, ne pas faire fonctionner la débroussailleuse à haut régime sans charge.
- Éviter de faire fonctionner le moteur à bas régime. Cela pourrait endommager l'embrayage rapidement. En outre, l'utilisation à bas régime tend à faire s'enrouler l'herbe et les débris autour de la tête de coupe.

Utilisation d'une lame T242X

La lame tourne en sens antihoraire. Pour des performances optimales, déplacer la lame de droite à gauche dans votre travail. Positionner la lame de façon à couper entre les positions 8 heures et 10 heures (vue du dessus). **NE PAS** couper entre les positions 10 heures et 5 heures. Voir figure 24.



AVERTISSEMENT !

Lors de la coupe de bois avec une lame, alimenter la lame lentement—*ne jamais percuter ou « cogner » une lame en rotation contre le bois.*

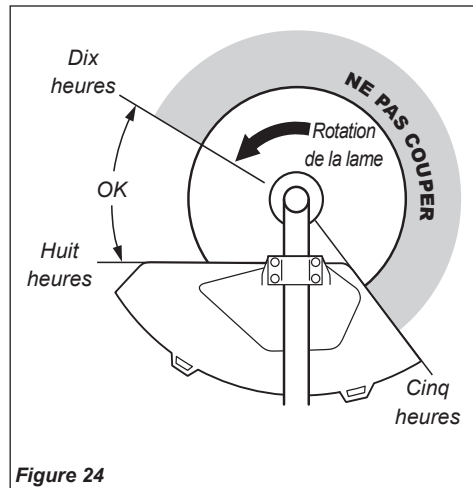


Figure 24

Coupes verticales

Tenir la débroussailleuse avec la lame à un angle de 90° avec le sol, de façon à ce que le bord inférieur de la lame tourne vers l'utilisateur. Déplacer la lame de haut en bas sur la zone de coupe, et couper *uniquement* avec le bord inférieur de la lame.



AVERTISSEMENT !

Lors de coupes verticales, ne jamais soulever la lame plus haut qu'à hauteur de taille.



AVERTISSEMENT !

NE PAS utiliser de lame à deux dents ou de lame à quatre dents Shindaiwa non autorisée avec les débroussailleuses Shindaiwa.

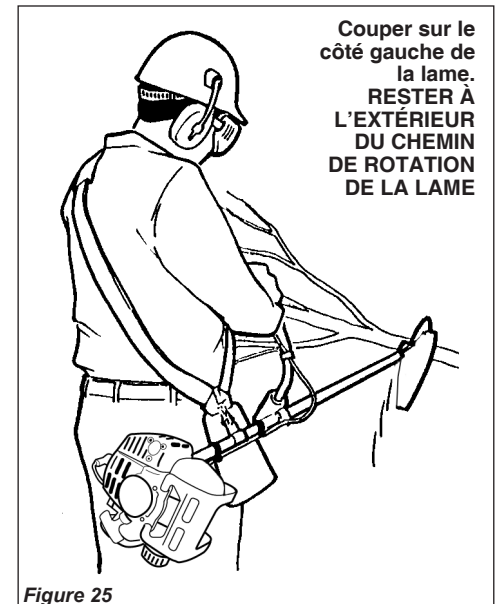


Figure 25

Entretien

IMPORTANT !

L'ENTRETIEN, LE REMPLACEMENT OU LA RÉPARATION D'UN DISPOSITIF DE CONTRÔLE DES ÉCHAPPEMENTS ET DES SYSTÈMES PEUT ÊTRE EFFECTUÉ PAR TOUT ÉTABLISSEMENT DE RÉPARATION OU INDIVIDU. CEPENDANT, LES RÉPARATIONS COUVERTES PAR LA GARANTIE DOIVENT ÊTRE EFFECTUÉES PAR UN DÉTAILLANT OU UN CENTRE DE SERVICES AUTORISÉ PAR SHINDAIWA SOCIÉTÉ COMMERCIALE L'UTILISATION DE PIÈCES DONT LE RENDEMENT ET LA DURABILITÉ NE SONT PAS ÉQUIVALENTS AUX PIÈCES UTILISÉES PEUT COMPROMETTRE L'EFFICACITÉ DU SYSTÈME ANTIPOLLUTION ET L'ACCEPTATION D'UNE DEMANDE DE RÉPARATION AU TITRE DE LA GARANTIE.

Lames

Maintenir les lames tranchantes et vérifier l'état de la lame régulièrement. Si les performances d'une lame sont soudainement diminuées, arrêter le moteur et vérifier que la lame n'est pas fendillée ou endommagée. Remplacer IMMÉDIATEMENT toute lame endommagée !



AVERTISSEMENT !

Avant tout travail d'entretien, de réparation ou de nettoyage de l'appareil, s'assurer que le moteur et l'accessoire de coupe sont entièrement immobiles. Débrancher le fil de la bougie avant tout travail d'entretien ou de réparation.



AVERTISSEMENT !

Les pièces non approuvées risquent de ne pas fonctionner correctement et de causer des dommages ou des blessures.



AVERTISSEMENT !

■ Les lames des débroussailleuses Shindaiwa ne sont **pas** interchangeables. L'utilisation de tout appareil équipé d'une lame ou d'un accessoire non autorisé pour cet appareil présente des risques et peut causer des blessures graves.

REMARQUE :

L'utilisation de pièces de remplacement non approuvées peut invalider la garantie Shindaiwa.

Silencieux

Ne jamais faire fonctionner l'appareil sans silencieux ou sans pare-étincelles ou s'ils sont endommagés. S'assurer que le silencieux est fixé correctement et en bon état. Un silencieux usé ou endommagé représente un risque d'incendie et peut causer la perte de l'ouïe.

Bougie

Garder la bougie et les fils de connexion serrés et propres.

Attaches

S'assurer que les écrous, boulons et vis (excepté les vis de réglage du carburateur) sont serrés.

■ Ne jamais réparer une lame endommagée en soudant, en redressant ou en modifiant sa forme initiale. Une lame modifiée peut casser pendant l'utilisation et causer des blessures graves.

Entretien quotidien

Suivre la procédure suivante au début de chaque journée de travail :

■ Enlever la saleté et les débris sur le moteur, vérifier les ailettes de refroidissement et le filtre à air et les nettoyer au besoin.

■ Enlever toute accumulation de saleté ou de débris du silencieux et du réservoir à carburant. Les accumulations de saleté sur ces pièces peuvent causer la surchauffe du moteur, un incendie ou l'usure précoce de l'appareil.

■ Vérifier qu'aucune vis ou composante n'est desserrée ou manquante. S'assurer que l'outil de coupe est solidement fixé.
■ Vérifier qu'il n'y a pas de fuite de carburant ou d'huile.

Entretien aux 10 heures

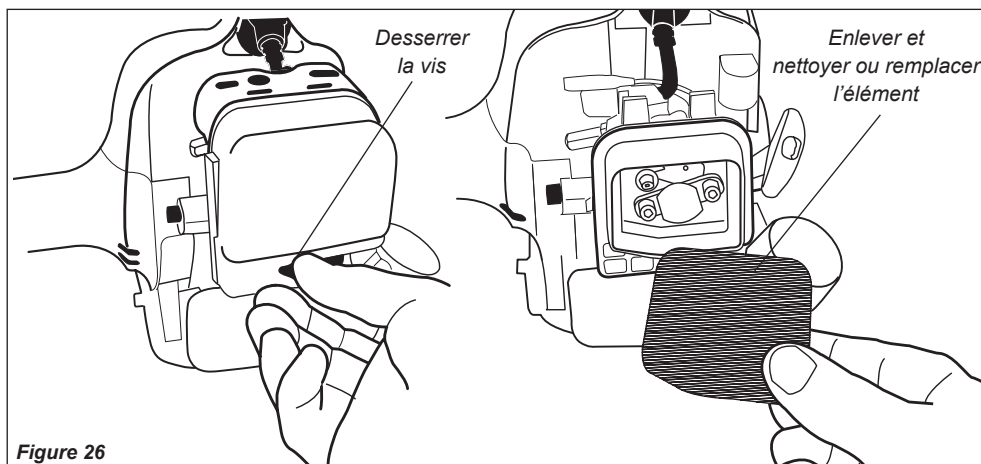


Figure 26

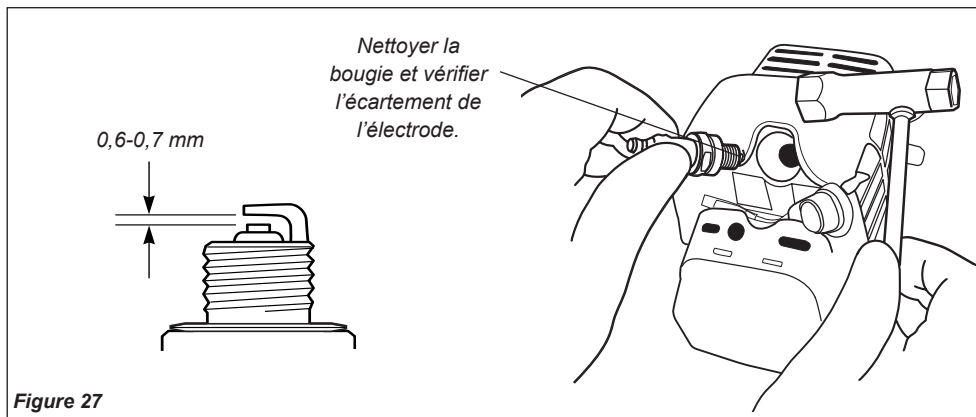
Toutes les 10 heures d'utilisation (plus souvent dans des conditions poussiéreuses ou sales) :

■ Nettoyer le filtre à air. Voir figure 26. Nettoyer ou remplacer selon le cas. Pour nettoyer le filtre à air : le laver abondamment avec de l'eau savonneuse. Laisser sécher avant de réinstaller.

MISE EN GARDE !

Ne jamais utiliser l'appareil si le filtre à air ou son élément est endommagé, ou si l'élément est humide.

Entretien aux 10 à 15 heures



Toutes les 10 à 15 heures de fonctionnement :

- Enlever et nettoyer la bougie. Ajuster l'écartement de l'électrode de la bougie à 0,6-0,7 mm. S'il est nécessaire de changer la bougie, utiliser uniquement une bougie BPMR6A ou une bougie antiparasite équivalente de plage thermique appropriée. Voir figure 27.

REMARQUE :

La bougie BPMR6A répond également aux exigences en matière de conformité électromagnétique (CEM).

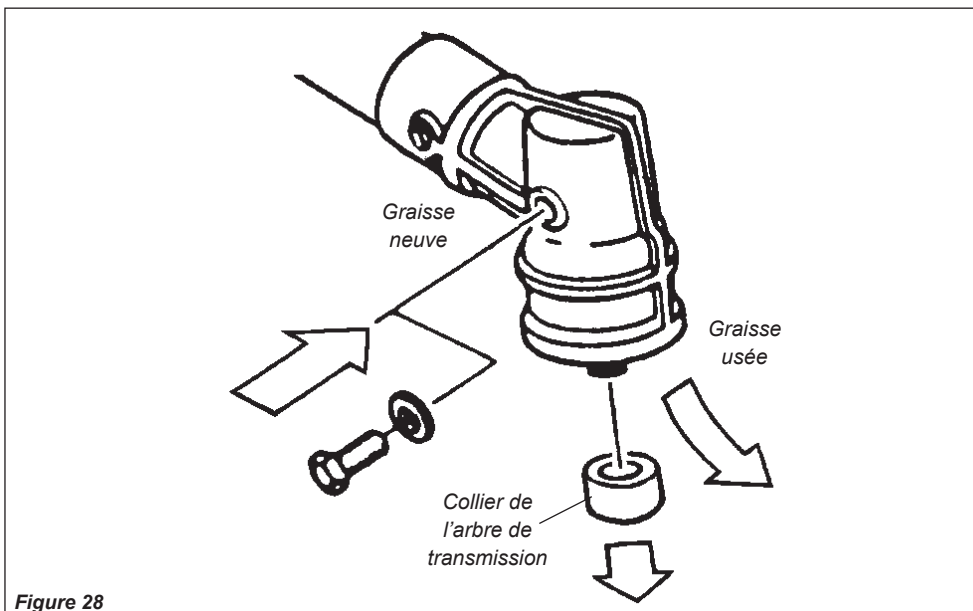
MISE EN GARDE !

Avant d'enlever la bougie, nettoyer l'aire autour de la bougie afin d'éviter que des saletés ou des poussières ne se logent à l'intérieur du moteur.

Entretien aux 50 heures

Toutes les 50 heures d'utilisation (plus souvent dans des conditions poussiéreuses) :

- Enlever et nettoyer le couvercle du cylindre et enlever les accumulations d'herbe et la saleté logées dans les ailettes du cylindre.
- Ôter l'accessoire de coupe, le support de l'accessoire de coupe et le collier de l'arbre de transmission. Ôter le bouchon de remplissage et introduire la nouvelle graisse dans le carter renvoi d'angle jusqu'à ce que la graisse usée disparaisse de celui-ci. Utiliser uniquement une graisse à base de lithium (telle que le lubrifiant pour carter renvoi d'angle de Shindaiwa ou un produit équivalent). Voir figure 28.
- Ôter l'axe principal et lubrifier les deux extrémités des cannelures.
- Utiliser un fil croché pour extraire la crépine de carburant du réservoir à carburant. Voir figure 29.

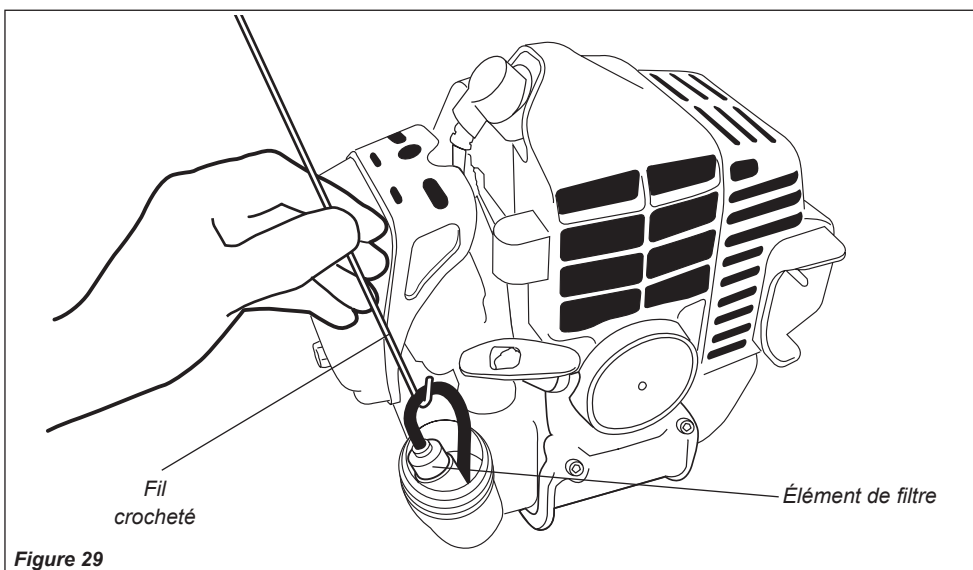


MISE EN GARDE !

S'assurer que le conduit d'alimentation n'est pas percé par le fil croché. Le conduit est délicat et peut facilement être endommagé.

Enlever et remplacer l'élément du filtre.

Avant de réinstaller le nouvel élément de filtre, contrôler l'état de toutes les composantes du système d'alimentation en carburant (conduite d'aspiration du carburant, conduite de retour du carburant, conduite de la mise à l'air libre, mise à l'air libre, bouchon du réservoir et réservoir à carburant). Si des dommages, des fissures ou d'autres détériorations sont visibles, ne pas utiliser l'appareil tant qu'il n'a pas été inspecté par un technicien autorisé Shindaiwa.



Entretien aux 135 heures

Toutes les 135 heures d'utilisation, benlever et nettoyer le silencieux.



AVERTISSEMENT !

Ne jamais faire fonctionner cet appareil sans silencieux ou sans pare-étincelles ou s'ils sont endommagés ! Si les composantes du dispositif d'échappement sont endommagées ou absentes, il est dangereux d'utiliser l'appareil car il pourrait prendre feu ou causer des troubles auditifs.

1. Enlever le capuchon de bougie.
2. Avec une clé hexagonale de 3 mm, ôter le couvercle du silencieux, les trois vis du couvercle moteur et le couvercle moteur. Voir figure 30.
3. Avec un tournevis à pointe cruciforme, retirer les cinq vis maintenant le pare-étincelles et le couvercle sur le silencieux. Voir figure 30.
4. Retirer le pare-étincelles et le nettoyer à l'aide d'une brosse à poils durs.
5. Avec une clé hexagonale de 4 mm, ôter les trois boulons du silencieux, ainsi que le silencieux. Voir figure 30.
6. Inspecter l'orifice d'échappement du cylindre afin d'y déceler une éventuelle accumulation de calamine.
7. Taper doucement le silencieux sur une surface en bois pour ôter tout dépôt de calamine.

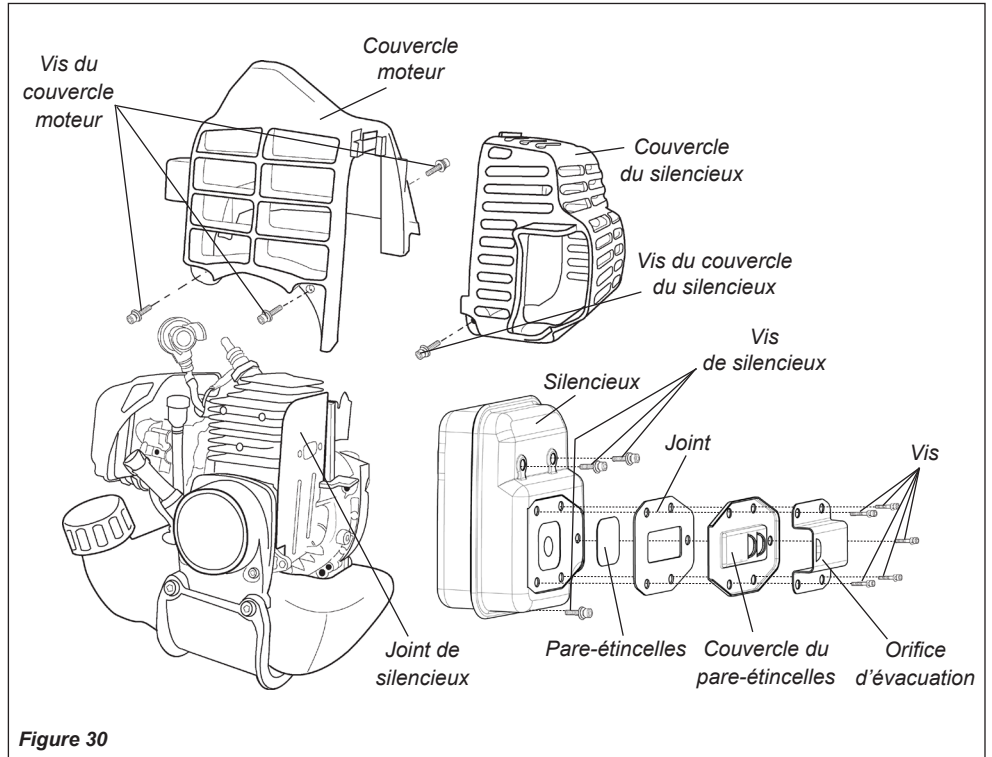


Figure 30

IMPORTANT !

En cas d'accumulation excessive de calamine, consulter un revendeur Shindaiwa.

8. Réinstaller le pare-étincelles, le silencieux et le couvercle moteur dans l'ordre inverse du démontage.

Remisage à long terme

Si l'appareil doit être remisé plus de 30 jours, suivre la procédure suivante pour le préparer au remisage :

- Nettoyer les pièces externes abondamment.
- Vider le carburant du carburateur et du réservoir à carburant.

IMPORTANT !

Stabiliser le carburant remisé à l'aide d'un produit adapté, si **SHINDAIWA ONE** l'huile utilisée ne contient aucun stabilisateur.

Affûtage de la lame

Lorsque les arêtes tranchantes des gorges de la chaîne s'émousent, les affûter à l'aide d'une lime.

Affûter les arêtes tranchantes de la lame uniformément pour que la lame reste équilibrée.

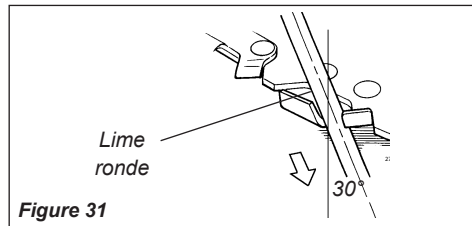
Lame Shindaiwa Tornado™

Pour affûter les gorges de la lame Shindaiwa Tornado™, utiliser une lime ronde de 4,5 mm. Affûter le tranchant supérieur de chaque dent en lame de rasoir. Le tranchant supérieur de chaque dent doit être affûté à un angle de 30°.

MISE EN GARDE !

Le carburant laissé dans le carburateur pendant une période prolongée peut nuire au démarrage et accroître les coûts de service et d'entretien.

- Purger l'excédent de carburant des conduits d'alimentation et du carburateur.
1. Presser sur la pompe d'amorçage jusqu'à ce qu'elle ne fasse plus circuler de carburant.
 2. Démarrer et laisser fonctionner le moteur jusqu'à ce qu'il s'arrête de lui-même.
 3. Répéter les étapes 1 et 2 jusqu'à ce que le moteur refuse de démarrer.



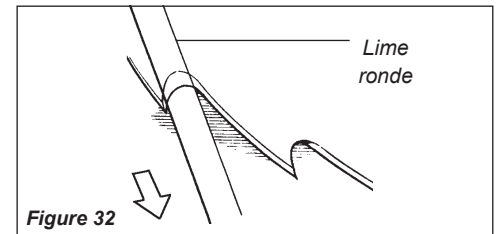
AVERTISSEMENT !

Affûter uniquement les couteaux d'une lame. N'altérer les contours de la lame en aucune façon.

- Retirer la bougie et verser environ 7 g d'huile pour moteur à deux temps dans le cylindre, par l'orifice de la bougie. Tirer lentement sur le lanceur à rappel à deux ou trois reprises pour enduire uniformément les parois du cylindre. Réinstaller la bougie.
- Toujours réparer une pièce endommagée ou usée avant le remisage.
- Enlever le filtre à air du carburateur et le nettoyer abondamment avec de l'eau savonneuse. Laisser sécher avant de réinstaller le filtre à air.
- Remiser l'appareil dans un endroit propre et sans poussière.

Lame circulaire à plusieurs dents

Utiliser une lime ronde de 1 à 1,5 mm à la base de chaque dent. Affûter les arêtes tranchantes uniformément de chaque côté.



LE MOTEUR NE DÉMARRE PAS

Points à contrôler	Cause probable	Solution
Le moteur tourne-t-il bien ?	NON Lanceur à rappel défectueux. Liquide dans le carter de vilebrequin. Bris interne.	Consulter un revendeur Shindaiwa.
OUI Y a-t-il une bonne compression ?	NON Bougie desserrée. Usure excessive du cylindre, du piston, des segments.	Serrer et revérifier. Consulter un revendeur Shindaiwa.
OUI Le réservoir contient-il du carburant propre, d'un indice approprié ?	NON Essence souillée, éventée ou de mauvaise qualité ; mélange incorrect.	Remplir avec de l'essence sans plomb propre, dont l'indice d'octane à la pompe est égal ou supérieur à 87, mélangée avec de l'huile pour moteur à deux temps refroidis par air dont les caractéristiques sont conformes ou supérieures aux exigences des normes ISO-L-EGD et/ou JASO FC, selon un rapport de 50:1.
OUI Le carburant est-il visible dans le tuyau de renvoi lors de l'amorçage ?	NON Vérifier si la crépine de carburant et/ou l'orifice d'aération sont encrassés. La pompe d'amorçage ne fonctionne pas correctement.	Remplacer la crépine de carburant ou l'orifice d'aération au besoin. Redémarrer l'appareil. Consulter un revendeur Shindaiwa.
OUI Y a-t-il une étincelle à la borne du fil de bougie ?	NON Interrupteur sur la position « O » (ARRÊT). Mauvaise mise à la masse. Système d'allumage défectueux.	Placer l'interrupteur en position de « I » (MARCHE) et redémarrer. Consulter un revendeur Shindaiwa.
OUI Vérifier la bougie.	Si la bougie est humide, il y a peut-être un excédent de carburant dans le cylindre. La bougie peut être encrassée ou mal ajustée. La bougie peut être brisée ou de catégorie inappropriée.	Lancer le moteur sans la bougie, remettre la bougie en place et redémarrer. Nettoyer et régler l'écartement de la bougie à 0,6-0,7 mm. Redémarrer. Remplacer la bougie par une bougie BPMR6A ou une bougie antiparasite équivalente de plage thermique appropriée. Régler l'espacement de l'électrode de bougie à 0,6-0,7 mm.

PUISSANCE INSUFFISANTE

Points à contrôler	Cause probable	Solution
Le moteur surchauffe-t-il ?	Utilisation abusive de l'appareil. Le mélange du carburateur est trop pauvre. Rapport huile/carburant inapproprié. Ventilateur, boîtier de ventilation, ailettes du cylindre sales ou endommagés. Dépôts de calamine sur le piston ou dans le silencieux.	Réduire la longueur du fil de coupe. Réduire la charge de travail. Consulter un revendeur Shindaiwa. Remplir avec de l'essence sans plomb propre, dont l'indice d'octane à la pompe est égal ou supérieur à 87, mélangée avec de l'huile pour moteur à deux temps refroidis par air dont les caractéristiques sont conformes ou supérieures aux exigences des normes ISO-L-EGD et/ou JASO FC, selon un rapport de 50:1. Nettoyer, réparer ou remplacer selon le cas. Consulter un revendeur Shindaiwa.
Le moteur fonctionne de façon brusque à tous les régimes. Présence éventuelle de fumée d'échappement noire et/ou de carburant non brûlé à l'échappement.	Filtre à air obstrué. Bougie desserrée ou endommagée. Fuite d'air ou conduit d'alimentation obstrué. Eau dans le carburant. Grippage du piston. Carburateur et/ou diaphragme défectueux.	Procéder à l'entretien de l'élément de filtre à air. Serrer ou remplacer. Remplacer la bougie par une bougie BPMR6A ou une bougie antiparasite équivalente de plage thermique appropriée. Réparer ou remplacer le filtre et/ou le conduit d'alimentation. Remplacer le carburant. Voir page 9. Consulter un revendeur Shindaiwa.
Le moteur cogne.	Surchauffe. Carburant inapproprié. Dépôts de calamine dans la chambre de combustion.	Voir ci-dessus. Vérifier l'indice d'octane, vérifier si le carburant contient de l'alcool (p. 9). Remplir selon le besoin. Consulter un revendeur Shindaiwa.

AUTRES PROBLÈMES

Problème	Cause probable	Solution
Faible accélération.	Filtre à air obstrué. Crépine de carburant obstruée. Mélange carburant/air pauvre. Régime de ralenti trop bas.	Nettoyer le filtre à air. Remplacer la crépine de carburant. Consulter un revendeur Shindaiwa. Régler : 3.000 (±250) tr/min (min ⁻¹).
Le moteur s'arrête brusquement.	Interrupteur en position d'arrêt. Réservoir à carburant vide. Crépine de carburant obstruée. Eau dans le carburant. Bougie court-circuitée ou mauvaise connexion. Échec d'allumage. Grippage du piston.	Remettre le contact et redémarrer. Faire le plein. Voir page 9. Remplacer le filtre à essence. Vidanger le réservoir et faire le plein avec du carburant propre. Voir page 9. Nettoyer ou remplacer la bougie, resserrer la borne. Remplacer le système d'allumage. Consulter un revendeur Shindaiwa.
Moteur difficile à arrêter.	Fil de masse (d'arrêt) débranché ou interrupteur défectueux. Bougie inappropriée entraînant une surchauffe. Surchauffe du moteur.	Vérifier et réinstaller au besoin. Laisser refroidir le moteur en le laissant tourner au ralenti. Nettoyer et régler l'écartement de la bougie à 0,6-0,7 mm. Utiliser une bougie BP6MR6A ou une bougie antiparasite équivalente de plage thermique appropriée. Laisser refroidir le moteur en le laissant tourner au ralenti.
L'accessoire de coupe tourne même si le moteur est au ralenti.	Régime de ralenti trop élevé. Ressort d'embrayage cassé ou sabot d'embrayage usé. Support de l'accessoire de coupe desserré.	Régler le ralenti : 3.000 (±250) tr/min (min ⁻¹). Remplacer le ressort/les sabots au besoin, vérifier la vitesse du ralenti. Inspecter et resserrer les vis.
Le moteur ne revient pas au régime de ralenti.	Régime de ralenti trop élevé. Le moteur présente une fuite d'air.	Régler le ralenti : 3.000 (±250) tr/min (min ⁻¹). Consulter un revendeur Shindaiwa.

AUTRES PROBLÈMES

Problème	Cause probable	Solution
Vibration excessive.	Accessoire de coupe déformé ou endommagé. Carter renvoi d'angle desserré. Axe d'entraînement tordu/usé ou bagues endommagées. Le fil de coupe est incorrectement enroulé autour de la bobine.	Examiner et remplacer l'accessoire de coupe au besoin. Serrer fermement le carter renvoi d'angle. Inspecter et remplacer, si nécessaire. Rembobiner le fil de coupe.
L'accessoire de coupe ne tourne pas.	L'arbre n'est pas installé dans la tête motorisée ou le carter renvoi d'angle. Arbre brisé. Carter renvoi d'angle endommagé.	Inspecter et réinstaller au besoin. Consulter un revendeur Shindaiwa.

Shindaiwa Corporation
Garantie fédérale limitée contre les défauts de conception et les défaillances
Moteurs d'outils à usage général et d'entretien des pelouses et jardins

Shindaiwa Corporation garantit à l'acheteur initial et à chaque acheteur ultérieur que le moteur du présent outil à usage général (ci-après le « moteur ») a été conçu, fabriqué et équipé afin de satisfaire à l'ensemble des dispositions légales applicables énoncées par l'Agence de protection de l'environnement des États-Unis (EPA), et que le présent moteur est libre de tout défaut de matière et de fabrication susceptible d'entraîner sa non-conformité aux dispositions légales énoncées par l'EPA au cours de sa période de garantie. Cette garantie relative aux émissions est applicable dans tous les états, excepté l'état de Californie.

Pour les pièces prises en charge dans la section PIÈCES PRISES EN CHARGE, le représentant autorisé de Shindaiwa Corporation, Ltd. procédera gratuitement au diagnostic, à la réparation ou au remplacement des composants défectueux spécifiques au contrôle des émissions afin de garantir la conformité du présent moteur aux dispositions légales applicables énoncées par l'EPA des États-Unis.

ÉTENDUE DE LA GARANTIE DU FABRICANT

Sur les appareils vendus sur le territoire des États-Unis, le système de contrôle des émissions du présent moteur bénéficie d'une garantie d'une durée de deux (2) ans à compter de la date de la première livraison de ce produit à l'acheteur original du produit au détail.

RESPONSABILITÉS DU PROPRIÉTAIRE À L'ÉGARD DE LA GARANTIE

En tant que propriétaire du moteur, vous êtes responsable de l'exécution des opérations d'entretien décrites dans le manuel d'utilisation. Shindaiwa Corporation vous recommande de conserver toutes les factures relatives aux opérations d'entretien réalisées sur votre moteur ; toutefois, Shindaiwa Corporation ne peut refuser la prise en charge d'une intervention dans le cadre de la garantie uniquement en raison de l'absence de factures ou du manquement de l'utilisateur à exécuter l'intégralité des opérations d'entretien prévues.

En tant que propriétaire, vous devez toutefois avoir conscience que Shindaiwa Corporation peut refuser la prise en charge d'une intervention dans le cadre de la garantie en cas de défaillance du moteur ou d'une pièce à la suite d'une utilisation abusive, une négligence, un entretien incorrect ou une modification non approuvée de l'appareil ou du moteur.

En cas de problème, vous avez la responsabilité de présenter votre moteur au représentant autorisé Shindaiwa Corporation, le plus proche.

Si votre représentant Shindaiwa n'est pas en mesure de répondre aux questions concernant vos droits et responsabilités dans le cadre de la garantie, vous devez prendre contact avec votre distributeur Shindaiwa.

Pour obtenir les coordonnées du distributeur Shindaiwa dans votre région, veuillez appeler Shindaiwa Inc. au numéro (503) 692-3070, de 8h00 à 17h00 (Heure Normale du Pacifique).

PIÈCES PRISES EN CHARGE

Vous trouverez ci-dessous la liste des pièces prises en charge par la Garantie fédérale limitée contre les défauts de conception et les défaillances. Certaines des pièces énoncées ci-dessous peuvent nécessiter l'exécution d'opérations d'entretien planifiées et sont prises en charge, dans le cadre de la garantie, jusqu'au premier remplacement planifié de la pièce. Les pièces prises en charge par la garantie sont les suivantes :

1. Composants internes du carburateur
 - Aiguille, réglage de l'assemblage du diaphragme
2. Composants du système d'allumage
 - Bobine d'allumage
 - Volant

Le système de contrôle des émissions spécifique à votre moteur Shindaiwa peut également inclure certains connecteurs et conduites.

LIMITATIONS

La Garantie fédérale limitée contre les défauts de conception et les défaillances ne couvre pas les points suivants :

- (a) les défaillances résultant de la modification, de l'utilisation erronée ou du réglage incorrect (à moins que ces opérations n'aient été réalisées par le représentant ou le centre d'entretien autorisé de Shindaiwa Corporation au cours d'une réparation effectuée dans le cadre de la garantie), de l'altération, d'un accident, du manquement à utiliser l'essence et l'huile recommandés ou de la non-exécution des opérations d'entretien requises,

- (b) les pièces de rechange utilisées dans le cadre des opérations d'entretien requises,
- (c) les pièces secondaires utilisées dans le cadre des opérations d'entretien requises,
- (d) les honoraires de diagnostic et d'inspection n'entraînant pas l'exécution d'une intervention prise en charge dans le cadre de la garantie, et
- (e) toute pièce de rechange non autorisée ou toute défaillance de pièces autorisées due à l'utilisation de pièces non autorisées.

EXIGENCES RELATIVES À L'ENTRETIEN ET LA RÉPARATION

Vous êtes responsable de l'utilisation et de l'entretien adéquats du moteur. Vous vous recommandons de conserver tous vos relevés et factures d'entretien relatifs à l'exécution des interventions d'entretien régulier, au cas où des questions se présenteraient. Ces relevés et factures d'entretien doivent être remis à chaque propriétaire ultérieur du moteur. Shindaiwa Corporation se réserve le droit de refuser la prise en charge d'une intervention dans le cadre de la garantie si le propriétaire n'a pas procédé à un entretien correct du moteur. Shindaiwa Corporation ne refusera pas la prise en charge d'une intervention dans le cadre de la garantie uniquement en raison de l'absence de réparations ou d'entretien ou du manquement de l'utilisateur à conserver les relevés et factures d'entretien. L'ENTRETIEN, LE REMPLACEMENT OU LA RÉPARATION D'UN DISPOSITIF DE CONTRÔLE DES ÉCHAPPEMENTS ET DES SYSTÈMES PEUT ÊTRE EFFECTUÉ PAR TOUT ÉTABLISSEMENT DE RÉPARATION OU INDIVIDU. CEPENDANT, LES RÉPARATIONS COUVERTES PAR LA GARANTIE DOIVENT ÊTRE EFFECTUÉES PAR UN DÉTAILLANT OU UN CENTRE DE SERVICES AUTORISÉ PAR SHINDAIWA CORPORATION L'UTILISATION DE PIÈCES DONT LE RENDEMENT ET LA DURABILITÉ NE SONT PAS ÉQUIVALENTS AUX PIÈCES UTILISÉES PEUT COMPROMETTRE L'EFFICACITÉ DU SYSTÈME ANTIPOLLUTION ET L'ACCEPTATION D'UNE DEMANDE DE RÉPARATION AU TITRE DE LA GARANTIE.

Si des pièces de remplacement autres que les pièces autorisées par Shindaiwa Corporation sont utilisées aux fins de l'entretien ou de la réparation de composants affectant le contrôle des émissions, vous devez vous assurer que ces pièces sont garanties, par leur fabricant, comme étant équivalentes aux pièces autorisées par Shindaiwa Corporation au regard de leurs performances et de leur résistance.

DEMANDE DE RÉPARATIONS DANS LE CADRE DE LA GARANTIE

Toutes les réparations susceptibles d'être prises en charge dans le cadre de la présente garantie limitée doivent être exécutées par un représentant autorisé de Shindaiwa Corporation

Si une pièce spécifique au contrôle des émissions s'avère défaillante pendant la période de garantie, il est de votre responsabilité de présenter le produit à un représentant Shindaiwa autorisé. Munissez-vous des factures indiquant la date d'achat du présent moteur. Le représentant autorisé par Shindaiwa Corporation effectuera les réparations ou réglages nécessaires dans un délai raisonnable et vous remettra une copie de l'ordre de réparation. Tous les pièces et accessoires remplacés dans le cadre de la présente garantie deviennent la propriété de Shindaiwa Corporation.

Pour obtenir les coordonnées du représentant Shindaiwa autorisé le plus proche de vous, contactez votre distributeur Shindaiwa. Pour obtenir les coordonnées du distributeur Shindaiwa dans votre région, veuillez appeler Shindaiwa Inc. au numéro (503) 692-3070, de 8h00 à 17h00 (Heure Normale du Pacifique).

LA PRÉSENTE GARANTIE EST GÉRÉE PAR

Shindaiwa Inc.
11975 S.W. Herman Rd.
Tualatin, OR 97062 USA
(503) 692-3070

shindaiwa

Shindaiwa Inc.
11975 S.W. Herman Rd.
Tualatin, Oregon 97062 USA
Telephone: 503 692-3070
Fax: 503 692-6696
www.shindaiwa.com

Shindaiwa Corporation
Head Office:
6-2-11, Ozuka-Nishi
Asaminami-Ku, Hiroshima
731-3167, Japan
Telephone: 81-82-849-2220
Fax: 81-82-849-2481

©2007 Shindaiwa, Inc.
Part Number 81643
Revision 1/07

Shindaiwa is a registered trademark
of Shindaiwa, Inc.
Specifications subject to change without notice.

Free Manuals Download Website

<http://myh66.com>

<http://usermanuals.us>

<http://www.somanuals.com>

<http://www.4manuals.cc>

<http://www.manual-lib.com>

<http://www.404manual.com>

<http://www.luxmanual.com>

<http://aubethermostatmanual.com>

Golf course search by state

<http://golfingnear.com>

Email search by domain

<http://emailbydomain.com>

Auto manuals search

<http://auto.somanuals.com>

TV manuals search

<http://tv.somanuals.com>