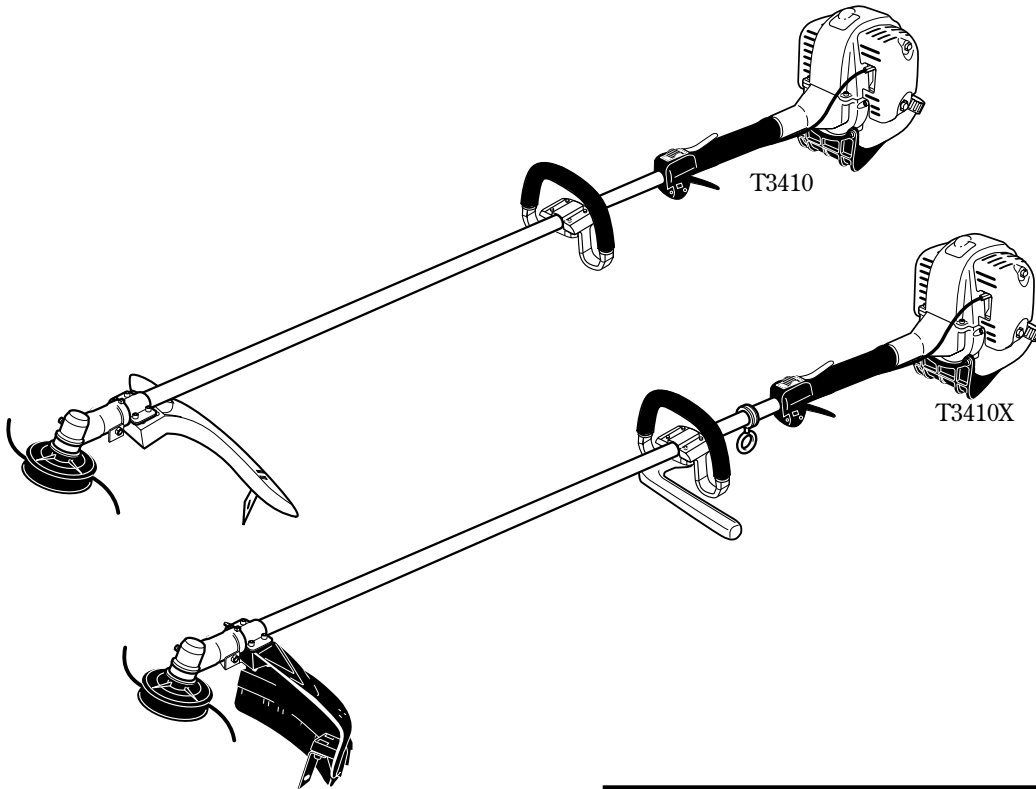


English.....1  
Español.....SP\_1  
Français.....FR\_1

**SHINDAIWA OWNER'S/OPERATOR'S MANUAL**

**T3410/EVC TRIMMER**  
**T3410X/EVC TRIMMER**



**WARNING!**  
Minimize the risk of injury to yourself and others! Read this manual and familiarize yourself with the contents. Always wear eye and hearing protection when operating this unit.

**shindaiwa**<sup>®</sup>

Part Number 89301 Rev. 06/2009

## Introduction

The Shindaiwa C4 series of hand-held power equipment is designed and built to deliver superior performance and reliability without compromise to quality, comfort, safety or durability. Shindaiwa engines represent the leading edge of high-performance engine technology, delivering exceptionally high power with remarkably low displacement and weight. As an owner/operator, you'll soon discover for yourself why Shindaiwa is simply in a class by itself!

### IMPORTANT!

The information contained in these instructions describes units available at the time of publication.

Shindaiwa Inc. reserves the right to make changes to products without prior notice, and without obligation to make alterations to units previously manufactured.



### WARNING!

The engine exhaust from this product contains chemicals known to the State of California to cause cancer, birth defects or other reproductive harm.

## Contents

	PAGE		PAGE		PAGE
Safety .....	3	Filling the fuel tank .....	10	Operation .....	13
Product Description.....	5	Starting the Engine .....	11	Maintenance .....	15
Specifications.....	5	Stopping the Engine .....	12	Long Term Storage .....	19
Assembly.....	6	Adjusting Engine Idle .....	12	Troubleshooting Guide .....	20
Mixing fuel.....	10	Checking Unit Condition.....	12	Emission System Warranty Statement ..	23

### IMPORTANT!

The operational procedures described in this manual are intended to help you get the most from this unit as well as to protect you and others from harm. These procedures are guidelines for safe operation under most conditions, and are not intended to replace any safety rules and/or laws that may be in force in your area. If you have questions regarding your C4 series hand-held power equipment, or if you do not understand something in this manual, contact Shindaiwa Inc. at the address printed on the back of this Manual.

## Attention Statements

Throughout this manual are special "attention statements".



### DANGER!

A statement preceded by the triangular attention symbol and the word "DANGER" contains information that should be acted upon to prevent serious injury or death.



### WARNING!

A statement preceded by the triangular attention symbol and the word "WARNING" contains information that should be acted upon to prevent serious bodily injury.

### CAUTION!

A statement preceded by the word "CAUTION" contains information that should be acted upon to prevent mechanical damage.

### NOTE:

A statement preceded by the word "NOTE" contains information that is handy to know and may make your job easier.

### IMPORTANT!

A statement preceded by the word "IMPORTANT" is one that possesses special significance.

## Warning and Operational Labels



Read and follow this operator's manual. Failure to do so could result in serious injury..



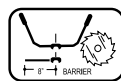
Beware of thrown or ricocheted objects



Always wear a harness when operating this unit with a blade. A harness is also recommended when using trimmer line.



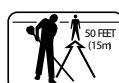
Wear eye and hearing protection at all times during operation of this unit. Wear head protection where there is a risk of falling objects.



DO NOT operate this unit with a blade unless the unit is equipped with a Shindaiwa-approved handlebar or barrier.



If unit is used as a brushcutter, beware of blade thrust. A jammed blade can cause the unit to jerk suddenly and may cause the operator to lose control of the unit.






Make sure no one is within 15 M / 50 feet of an operating machine.

# Safety

## Work Safely

Trimmers and brushcutters operate at very high speeds and can do serious damage or injury if they are misused or abused. *Never allow a person without training or instruction to operate this unit!*

 **WARNING!** Never make unauthorized attachment installations.

 **WARNING!** Never operate power equipment of any kind if you are tired or if you are under the influence of alcohol, drugs, medication or any other substance that could affect your ability or judgement. 

## Stay Alert

You must be physically and mentally fit to operate this unit safely.

 **WARNING!** Use Good Judgment

**ALWAYS** inspect unit before each use. Replace any damaged parts.

**NEVER** run the engine when transporting the unit.

**NEVER** run the engine indoors! Make sure there is always good ventilation. Fumes from engine exhaust can cause serious injury or death.

**ALWAYS** stop the unit immediately if it suddenly begins to vibrate or shake. Inspect for broken, missing or improperly installed parts or attachments.

**NEVER** extend trimming line beyond the length specified for your unit.

**ALWAYS** keep the unit as clean as practical. Keep it free of loose vegetation, mud, etc.

**ALWAYS** hold the unit firmly with both hands when cutting or trimming, and maintain control at all times.

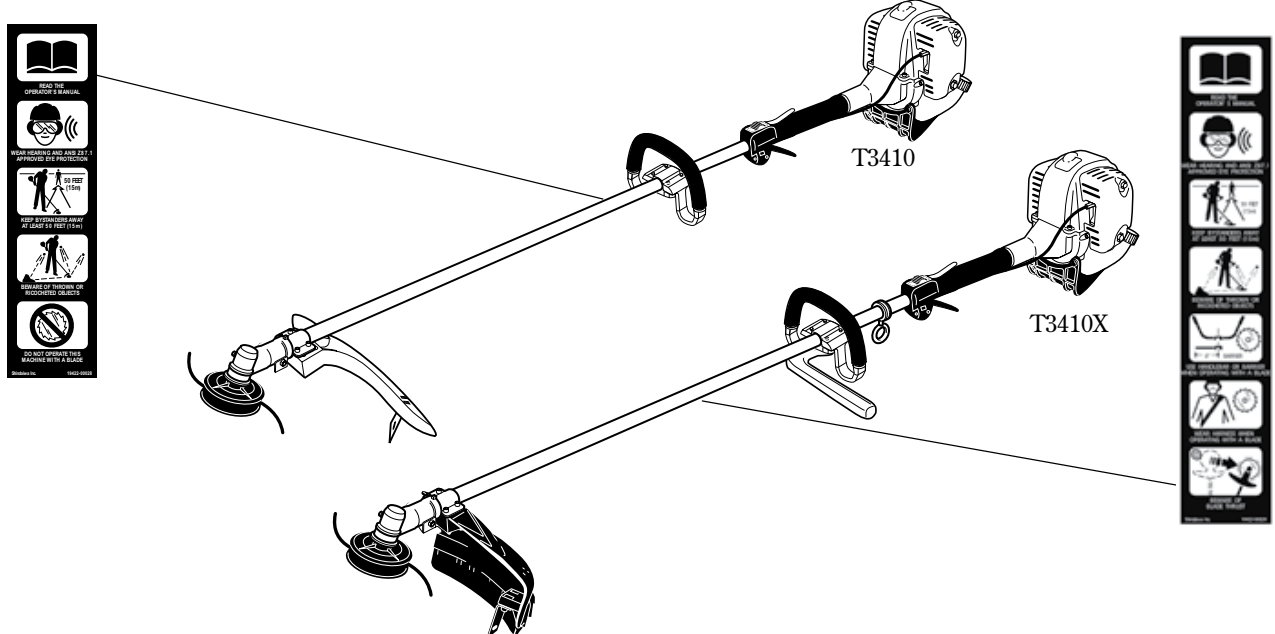
**ALWAYS** use the proper cutting tool for the job.

**ALWAYS** keep the handles clean.

**ALWAYS** disconnect the spark plug wire before performing any maintenance work.

**ALWAYS**, if a saw blade should bind fast in a cut, shut off the engine immediately. Push the branch or tree to ease the bind and free the blade.

## Safety Labels



**IMPORTANT!**

Safety and Operation Information Labels: Make sure all information labels are undamaged and readable. Immediately replace damaged or missing information labels. New labels are available from your local authorized Shindaiwa dealer.

## Safety (continued) The Properly Equipped Operator

Wear hearing protection devices and a broad-brimmed hat or helmet. A helmet is required when using a blade-equipped brushcutter to clear small trees.

Prolonged exposure to excessive noise is fatiguing and could lead to impaired hearing.

Wear close-fitting clothing to protect legs and arms. Gloves offer added protection and are strongly recommended. Do not wear clothing or jewelry that could get caught in machinery or underbrush. Secure long hair so that it is above shoulder level. **NEVER** wear shorts!

Long-term exposure to vibration can damage your hands.

Keep a proper footing and **do not overreach**. Maintain your balance at all times during operation.

Wear appropriate footwear (non-skid boots or shoes): do not wear open-toed shoes or sandals. **Never work barefooted!**



**Always** wear eye protection such as goggles or safety glasses to shield against thrown objects.

**Always** wear a harness when operating the unit. It adds comfort and helps ensure safety by limiting movement fore and aft. When the harness is adjusted properly, the unit should balance with the cutting attachment parallel to the ground.

**Always** operate with both hands firmly gripping the unit.

When operating with a blade, make sure the handle is positioned to provide you with maximum protection from contacting the blade. Always make sure the handlebar is installed in accordance with the manufacturers instructions.

**Always** make sure the appropriate cutting attachment shield is correctly installed and in good condition. Do not operate the unit if the cutting attachment shield is missing, loose, or broken.

Keep away from the rotating trimmer line or blade at all times, and never lift a moving attachment above waist-high.

## Be Aware of the Working Environment

Avoid long-term operation in very hot or very cold weather.

Be extremely careful of slippery terrain, especially during rainy weather.

Be constantly alert for objects and debris that could be thrown either from the rotating cutting attachment or bounced from a hard surface.

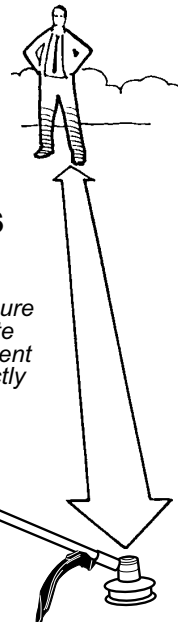


Make sure bystanders or observers outside the 15 meter (50 feet) "danger zone" wear eye protection.

**15 METERS (50 FEET)**

**Always** make sure the appropriate cutting attachment shield is correctly installed.

If contact is made with a hard object, stop the engine and inspect the cutting attachment for damage.



Reduce the risk of bystanders being struck by flying debris. Make sure no one is within 15 meters (50 feet)—that's about 16 paces of an operating attachment. Stop immediately if a child, pet, or person comes within a 15 meter (50 feet) radius. Outside this radius, there is still a risk of injury from thrown objects.

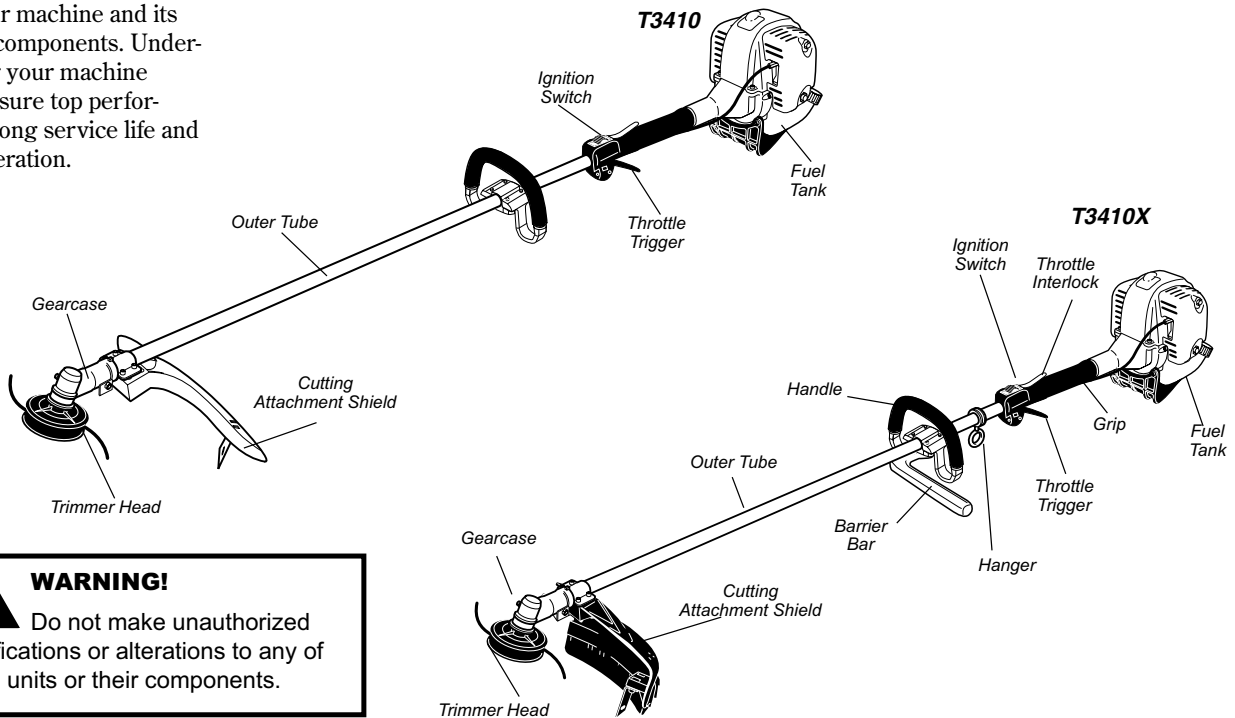
Do not operate the unit if the cutting attachment shield is missing, loose, or broken.

Beware of a coasting blade when brushcutting or edging. A coasting blade can injure while it continues to spin after the throttle trigger is released or after the engine is stopped.

**ALWAYS** clear your work area of trash or hidden debris that could be thrown back at you or toward a bystander. When operating in rocky terrain or near electric wires or fences, use extreme caution to avoid contacting such items with the cutting attachment.

## Product Description

Using the illustration as a guide, familiarize yourself with your machine and its various components. Understanding your machine helps ensure top performance, long service life and safer operation.



**WARNING!** Do not make unauthorized modifications or alterations to any of these units or their components.

## Specifications

	T3410	T3410X
Engine Name	SF3410E	
Engine Model	SF3410E	
Engine Type	4-cycle, vertical cylinder, air cooled	
Dry Weight (Without guard and strap)	5.9 kg/13.0 lb.	6.0 kg/13.2 lb
Bore x Stroke	1.5 x 1.2 in./ 38 x 30 mm	
Displacement	34 cc/2.1 cu. in.	
Maximum Power Output	1.4 HP (1.0 kW) @ 8000 (min <sup>-1</sup> )	
Engine Idle Speed	3,000 (±300) min <sup>-1</sup>	
Fuel/Oil Ratio	50:1 with ISO-L-EGD or JASO FD class 2-cycle mixing oil	
Fuel Tank Capacity	700 ml/23.7 oz.	
Carburetor Type	Walbro, WYL, diaphragm-type	
Ignition	One-piece electronic, program-controlled	
Spark Plug**	NGK CMR5H	
	Spark Plug Gap	0.6 - 0.7 mm (0.024 - 0.028 inch)
	Torque	100-150 kg cm / 9.8 - 14.7 N·m
Engine Idle Speed	3,000 (±300) min <sup>-1</sup>	
Air Cleaner Type	Foam pre-filter; sealed felt main filter	
Starting Method	Recoil	
Stopping Method	Slide switch	
Transmission Type	Automatic, centrifugal clutch w/bevel gear	
EPA Emission Compliance Period*	Category A	

Specifications are subject to change without notice.

\* The EPA emission compliance period referred to on the emission compliance label located on the engine, indicates the number of operating hours for which the engine has been shown to meet Federal emission requirements. Category C = 50 hours (Moderate), B = 125 hours (Intermediate) and A = 300 hours (Extended)

\*\* The NGK CMR5H also meets the requirements for electro magnetic compliance (EMC).

## Assembly

This unit comes fully assembled with the exception of the cutting attachment shield and cutting attachment.

### IMPORTANT!

The terms “left”, “left-hand”, and “LH”; “right”, “right-hand”, and “RH”; “front” and “rear” refer to directions as viewed by the operator during normal operation.

This unit comes fully assembled with the exception of the cutting attachment shield and cutting attachment.

### Prior to Assembly

Before assembling, make sure you have all the components required for a complete unit and inspect unit and components for any damage.

- Engine and shaft assembly
- Cutting attachment shield
- Cutting attachment
- Kit containing cutting attachment shield, mounting bracket and hardware, this owner’s/operator’s manual and tool kit for routine maintenance. Tool kits vary by model and may include a spark plug/screwdriver combination wrench, and a scraper.

### Handle and barrier bar X unit

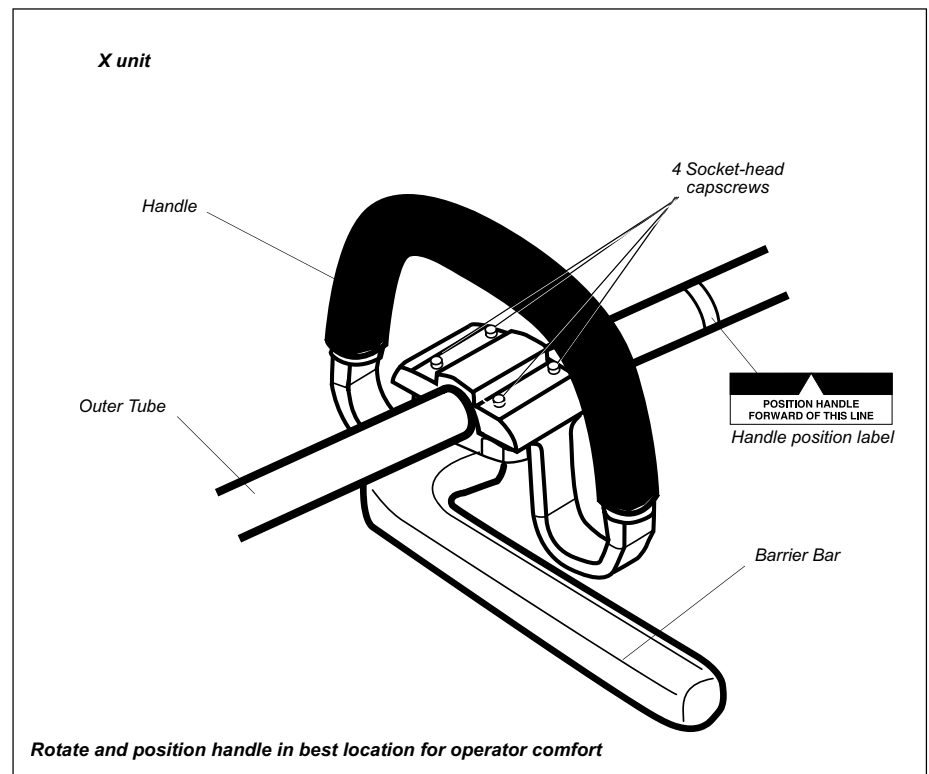
The handle is attached at the factory and positioned vertically.

1. Loosen socket headed capscrew(s) at the base of handle and rotate the handle 90 degrees.

### NOTE:

Keep handle forward of handle positioning label!

2. Position the handle forward of the Handle Positioning Label at the best position for operator comfort (usually about 254 mm (10 in.) ahead of throttle housing).
3. Tighten the socket headed capscrew securely.



## Assembly (continued) Cutting Attachment Shield - T, TX unit

1. Insert the cutting attachment shield between the outer tube and the cutting attachment mounting plate.

### NOTE:

It may be necessary to loosen the retaining nut and clamp screw to adjust cutting attachment shield mounting plate.

2. Fit the two shims and the bracket over the outer tube and loosely install the four socket-head screws.
3. Tighten the four socket-head cap screws to secure the cutting attachment shield.

### CAUTION!

Make sure the clamp screw and retaining nut are securely tightened before tightening the four socket-head cap screws.

### WARNING!

NEVER operate the unit without the cutting attachment shield installed and tightly secured!

### Sub-Shield (when trimmer head is in use)

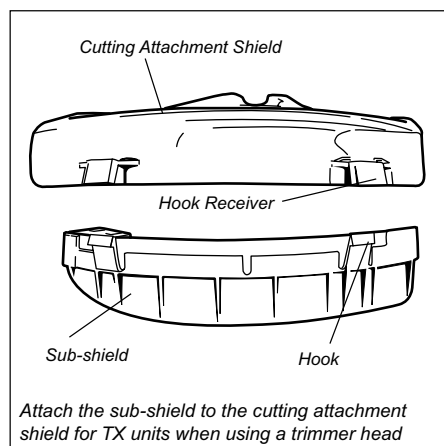
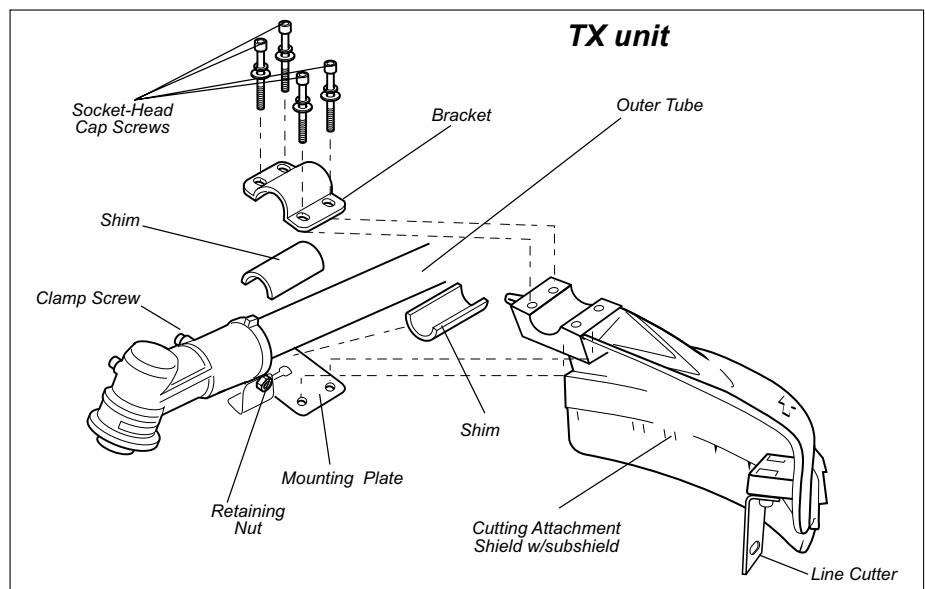
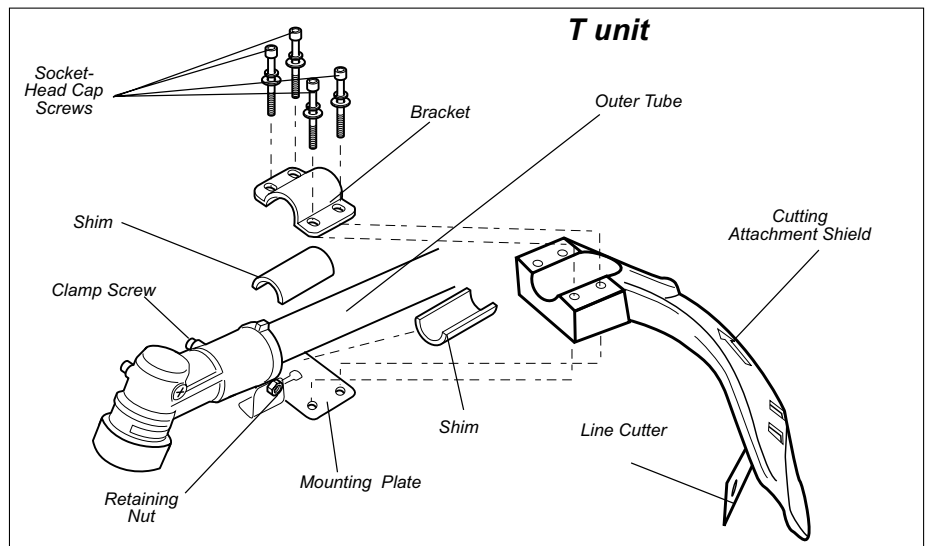
1. Attach the shield extension to the cutting attachment shield.

### WARNING!

NEVER use this machine without sub-shield when using a trimmer head.

### CAUTION!

Make sure the sub-shield is completely hooked at the hook receiver.



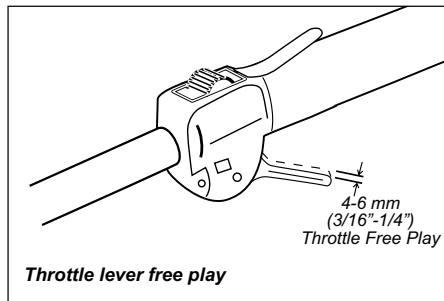


## Assembly (continued)

### Adjust throttle lever free play

The throttle lever free play should be approximately 4 - 6 mm (3/16" - 1/4"). Make sure that the throttle lever operates smoothly without binding. If it becomes necessary to adjust the lever free play, follow the procedures and illustrations that follow.

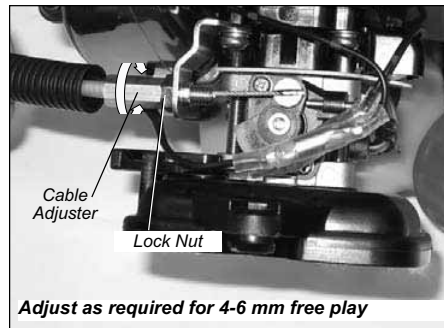
1. Loosen the air cleaner cover knob(s) and remove the air cleaner cover.
2. Loosen the lock nut on the cable adjuster. Turn the cable adjuster in or out as required to obtain proper free play 4 - 6 mm.
3. Tighten the locknut.
4. Reinstall the air cleaner cover.



Throttle lever free play



Remove air cleaner cover



Adjust as required for 4-6 mm free play

### Install trimmer head



#### WARNING!

A standard grass trimmer with a loop handle should NEVER be operated with blade-type attachments. For blade use, the trimmer must be fitted with a bicycle-type handlebar or a barrier bar that is located in front of the operator to reduce the risk of the operator from coming in contact with the cutting attachment (per ANSI B175.3). When using a blade, the unit must also be equipped with a harness or strap.

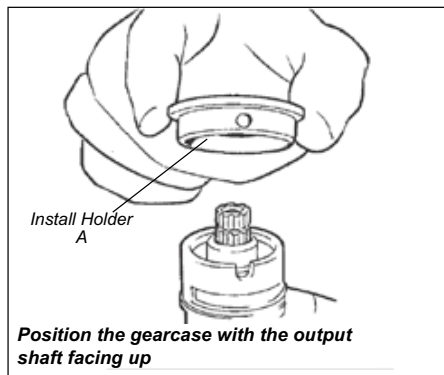
#### NOTE:

This unit is shipped with Holder A, the blade retainer (safety clip), Holder B, shaft bolt, and bolt guard installed. The shaft bolt is a LEFT-HAND thread. Remove it by turning CLOCKWISE!

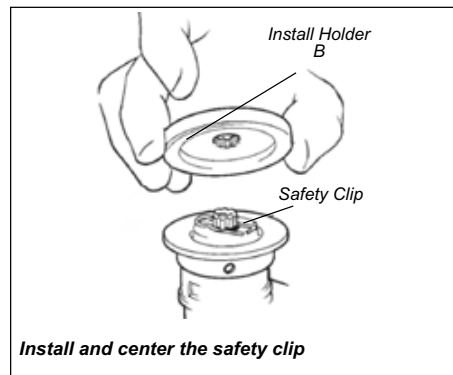
#### IMPORTANT

To install a trimmer head onto a TX unit, first remove the shaft bolt and bolt guard.

1. Position the gearcase with the output shaft facing up and remove both holders.
2. Position Holder A as shown and slide it onto the gearcase shaft.
3. Install and center the safety clip on the gearcase shaft.

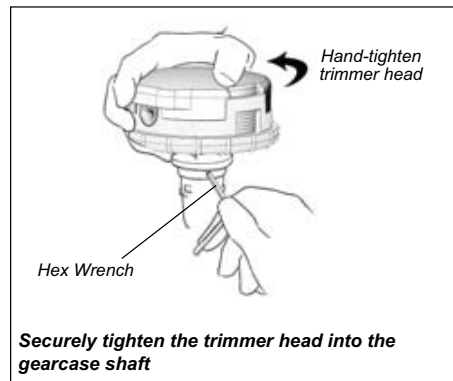


Position the gearcase with the output shaft facing up



Install and center the safety clip

4. Install Holder B on the gearcase shaft. The machined boss on Holder A must engage with the recess on Holder B.
5. Rotate the gearshaft and holders until the hole in Holder A aligns with the matching hole in the gearcase flange, and then lock the holder to the gearcase by inserting the long end of the hex wrench through both holes.
6. Using a counter-clockwise rotation and hand pressure alone, thread and securely tighten the trimmer head into the gearcase shaft.
7. Remove the hex wrench from the gearcase and holders.
8. Adjust the trimmer line length to reach no further than the line cutter on the cutting attachment shield. Trim to the correct length if necessary.



Securely tighten the trimmer head into the gearcase shaft

**The unit should now be completely assembled and ready for use with a trimmer head.**



## Assembly (continued)

### Installing Brushcutter Blade



#### WARNING!

Do not attach any blade to a unit without proper installation of all required parts. Failure to use the proper parts can cause the blade to fly off and seriously injure the operator and/or bystanders.

1. Turn the unit upside down so the gear case output shaft is facing UP and remove the shaft bolt, bolt guard and holder B from the gear case shaft.
2. Align the hole in blade holder A with the matching hole in the gear case flange and then temporarily lock the output shaft by inserting a hex wrench through both holes.
3. Slide the safety clip off-center
4. Fit the blade over the safety clip and then center it over the flange on holder A. Lock the blade in place by centering the safety clip on the output shaft.



#### WARNING!

The blade must fit flat against the holder flange. The blade mounting hole must be centered over the raised boss on blade Holder A.

#### CAUTION!

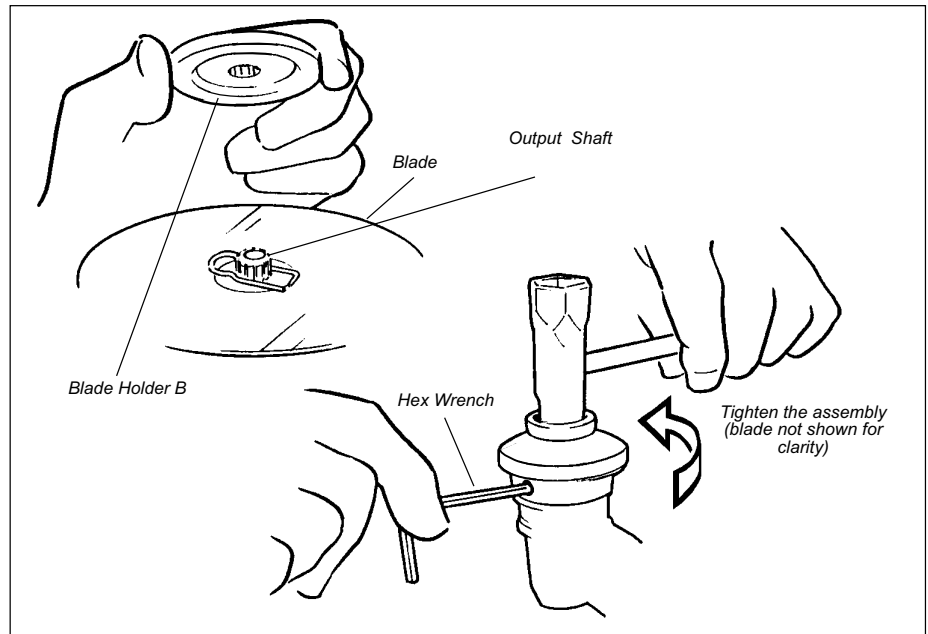
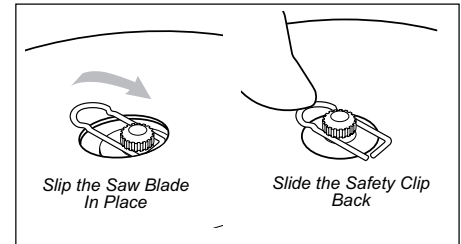
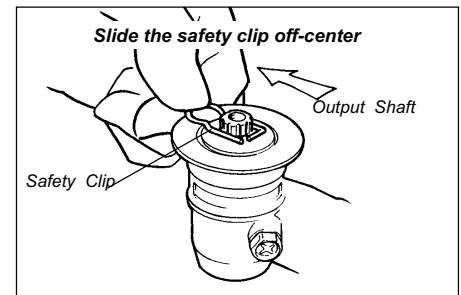
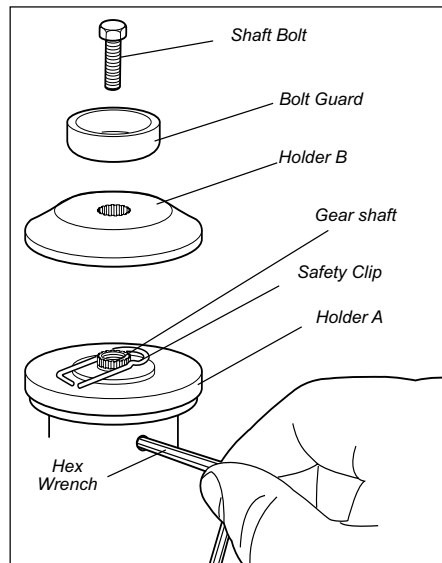
Install the blade so its printed surface is visible to the operator when the brushcutter is in the normal operating position.

5. Install blade holder B on the output shaft. The recess in the holder must completely cover the safety clip, and must fit tightly against the blade.



#### WARNING!

Holder B must fit flush against the blade and the splines engaged to the output shaft.



6. Install the bolt guard and then the blade retaining bolt. Using the combination spark plug wrench/screwdriver, tighten the bolt firmly in a counter-clockwise direction.
7. Remove the hex wrench.

**The unit should now be completely assembled and ready for use with a blade.**

#### IMPORTANT!

Discard blades that are bent, warped, cracked, broken or damaged in any way. Use a sharp blade. A dull blade is more likely to snag and thrust.

## Mixing fuel

### CAUTION

Never use any type of gasoline containing more than 10% alcohol by volume! Some types of gasoline contain alcohol as an oxygenate. Oxygenated gasoline may cause increased operating temperatures. Under certain conditions, alcohol-based gasoline may also reduce the lubricating qualities of some 2-cycle mixing oils.

Generic oils and some outboard oils should never be used in your Shindaiwa engine.

### CAUTION

This engine is designed to operate on a 50:1 mixture consisting of unleaded gasoline and ISO-L-EGD or JASO FD class 2-cycle mixing oil only. Use of non-approved mixing oils can lead to excessive carbon deposits.

- Use only fresh, clean unleaded gasoline with a pump octane of 87 or higher.
- Mix all fuel with a 2-cycle air-cooled mixing oil that meets or exceeds ISO-L-EGD and/or JASO FD classified oils at 50:1 gasoline/oil ratio.

### CAUTION!

Mix and pour fuel outdoors where there are no sparks and flames.

## Examples of 50:1 mixing quantities

U.S.		METRIC	
Gasoline	2-cycle mixing oil	Gasoline	2-cycle mixing oil
US Gallons	Fl.oz.	Liter	cc.
1	2.6	4	80
2	5.2	8	160
5	13	20	400
10	25.6	30	600
20	51.2	50	1000
50	128	100	2000

### IMPORTANT!

Mix only enough fuel for your immediate needs! If fuel must be stored longer than 30 days and **shindaiwa ONE** oil with fuel stabilizer is not used, it should first be treated with a fuel stabilizer such as STA-BIL™.

**shindaiwa ONE** Oil is a registered JASO FD classified oil and also meets or exceeds ISO-L-EGD performance requirements. Shindaiwa One is recommended for use in all Shindaiwa low emissions engines. Shindaiwa One also includes a fuel stabilizer.

## Filling the fuel tank



### WARNING! Minimize the Risk of Fire

- **NEVER** smoke or light fires near the engine.
- **ALWAYS** stop the engine and allow it to cool before refueling.
- **ALWAYS** Wipe all spilled fuel and move at least 3 meters (10 feet) from the fueling point and source before starting.
- **NEVER** place flammable material close to the engine muffler.
- **NEVER** operate the engine without the muffler and spark arrester screen in place and in good working condition.

- **FUEL IS HIGHLY FLAMMABLE.**
- **ALWAYS** store gasoline in a container approved for flammable liquids.
- **ALWAYS** inspect the unit for fuel leaks before each use. During each refill, check that no fuel leaks from around the fuel cap and/or fuel tank. If fuel leaks are evident, stop using the unit immediately. Fuel leaks must be repaired before using the unit.
- **ALWAYS** move the unit at least 3 meters (10 feet) away from a fuel storage area or other readily flammable materials before starting the engine.

1. Place the unit on a flat, level surface.
2. Clear any dirt or other debris from around the fuel filler cap.

### CAUTION!

Slowly remove the fuel cap only after stopping the engine

3. Remove the fuel cap, and fill the tank with clean, fresh fuel.
4. Reinstall the fuel filler cap and tighten firmly.
5. Wipe away any spilled fuel before starting engine.

# Starting the Engine

## IMPORTANT!

Engine ignition is controlled by a two position switch mounted on the throttle housing labeled, "I" for ON or START and "O" for OFF or STOP.



### WARNING!

Never start the engine from the operating position.

1. Slide the ignition switch to the "ON" position.
2. Set the throttle lever to the "fast idle":
  - a. Squeeze the throttle lever toward the handgrip on the shaft tube.
  - b. Depress and hold the throttle lock button.
  - c. While depressing the throttle lock button, release the throttle lever.
3. Press the primer bulb until fuel can be seen flowing in the transparent return tube.

## IMPORTANT!

The primer system only pushes fuel through the carburetor. Repeatedly pressing the primer bulb will not flood the engine with fuel.

4. Set the choke lever to the CLOSED position if engine is cold.
5. While holding the outer tube firmly with left hand. Use your other hand to slowly pull the recoil starter until resistance is felt, then pull quickly to start the engine.

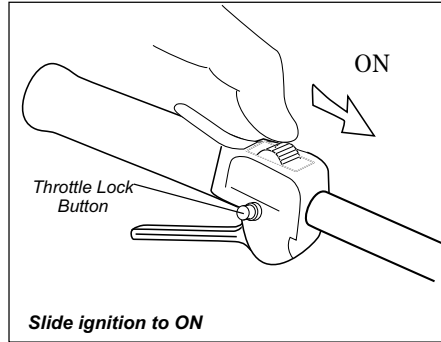
### CAUTION!

Do not pull the recoil starter to the end of the rope travel. Pulling the recoil starter to the end of the rope travel can damage the starter.

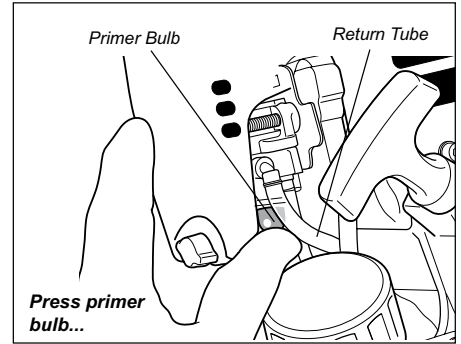


### WARNING!

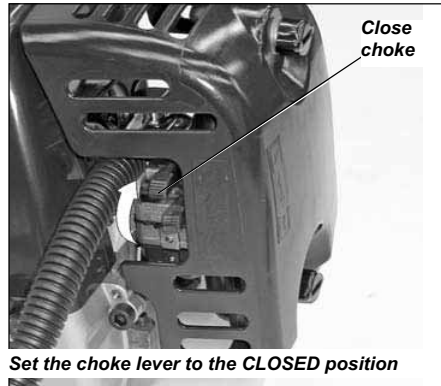
The cutting attachment may move when the engine is started!



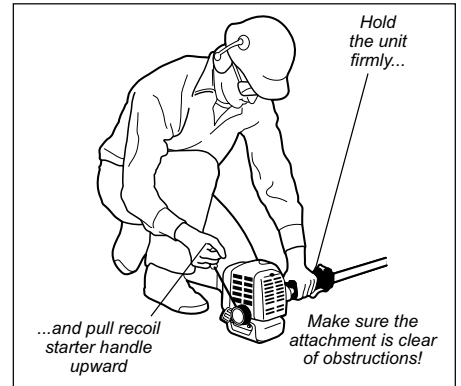
Slide ignition to ON



Press primer bulb...



Set the choke lever to the CLOSED position



...and pull recoil starter handle upward

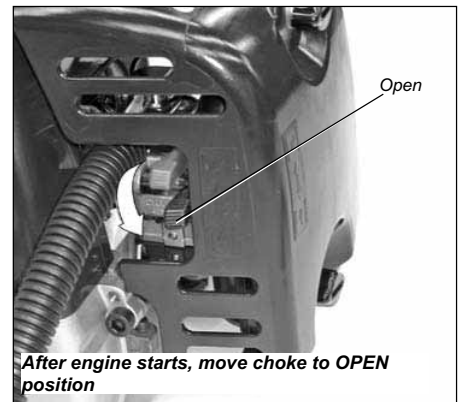
Hold the unit firmly...

Make sure the attachment is clear of obstructions!

6. When the engine starts, slowly move the choke lever to the "OPEN" position. (If the engine stops after the initial start, close the choke and restart.)
7. Operating the throttle will automatically disengage the fast idle setting.

## IMPORTANT!

If the engine fails to start after several attempts with the choke in the closed position, the engine may be flooded with fuel. If flooding is suspected, refer to the "Starting a Flooded Engine" section of this manual.



After engine starts, move choke to OPEN position

## When the Engine Starts...

- After the engine starts, allow the engine to warm up at idle 2 or 3 minutes before operating the unit.
- After the engine is warm, pick up the unit and clip on the shoulder strap, if so equipped.

- Advancing the throttle makes the cutting attachment move faster; releasing the throttle permits the attachment to stop moving. If the cutting attachment con-

tinues to move when the engine returns to idle, carburetor idle speed should be adjusted (see "Adjusting Engine Idle").

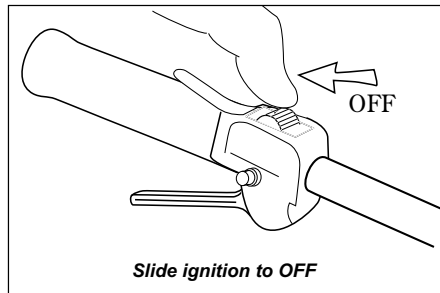
## Starting the Engine (continued)

### Starting A Flooded Engine

1. Disconnect the spark plug lead and use the spark plug wrench to remove the spark plug (turn counter clockwise to remove).
2. Slide the ignition switch to the "O" (STOP) position.
  - If the spark plug is fouled or soaked with fuel, clean the plug as necessary.
3. Open the choke and fully depress the throttle lever with your left hand, then pull the starter handle rapidly with your right hand to clear excess fuel from the combustion chamber.
4. Replace the spark plug and tighten it firmly with the spark plug wrench. If a torque wrench is available, torque the spark plug to the values recommended in the "Specifications" section.
5. Repeat the starting procedure for a warm engine.
6. If the engine still fails to start, refer to the troubleshooting section near the end of this manual.

## Stopping the Engine

Idle the engine briefly before stopping (about 2 minutes), then slide the ignition switch to the "O" (Engine OFF) position.



## Adjusting Engine Idle

The engine must return to idle speed whenever the throttle lever is released. Idle speed is adjustable, and must be set low enough to permit the engine clutch to disengage the cutting attachment.



### WARNING!

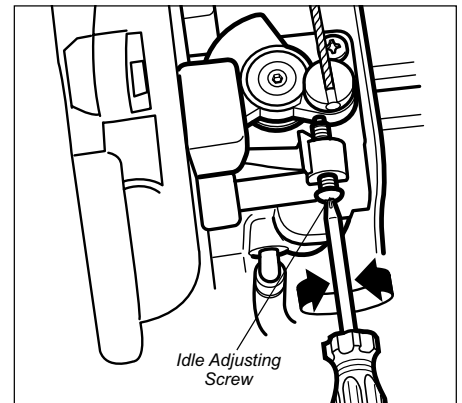
The cutting attachment must NEVER rotate at engine idle! If the idle speed cannot be adjusted by the procedure described here, return the unit to your Shindaiwa dealer for inspection.

### Idle Speed Adjustment

1. Place the unit on the ground, then start the engine, and then allow it to idle 2-3 minutes until warm.
2. If the attachment rotates when the engine is at idle, reduce the idle speed by turning the idle adjustment screw counter-clockwise.
3. If a tachometer is available, adjust idle. Check Specifications page for correct idle speed

### NOTE

Carburetor fuel mixture adjustments are preset at factory and cannot be serviced in the field.



## Checking Unit Condition

NEVER operate the unit with the cutting attachment shield or other protective devices removed!

Use only authorized Shindaiwa parts and accessories with your Shindaiwa trimmer. Do not make modifications to this unit without written approval from Shindaiwa, Inc.

ALWAYS make sure the cutting attachment is properly installed and firmly tightened before operation.

NEVER use a cracked or warped cutting attachment: replace it with a serviceable one.

ALWAYS make sure the cutting attachment fits properly into the appropriate attachment holder. If a properly installed attachment vibrates, replace the attachment with new one and re-check.

ALWAYS stop the engine immediately and check for damage if you strike a foreign object or if the unit becomes tangled. Do not operate with broken or damaged equipment.

NEVER allow the engine to run at high RPM without a load. Doing so could damage the engine.

NEVER operate a unit with worn or damaged fasteners or attachment holders.



### WARNING!

A cutting attachment shield or other protective device is no guarantee of protection against ricochet. YOU MUST ALWAYS GUARD AGAINST FLYING DEBRIS!

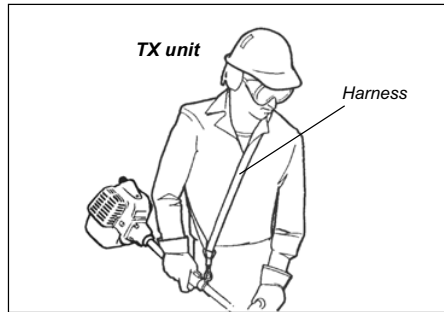
## Operation Shoulder Strap



### WARNING!

Always wear a shoulder strap when operating this unit with a blade. A shoulder strap is also recommended when using trimmer line.

1. Hook the strap hook to the hanger on the outer tube.
2. Wear the shoulder strap so that the hook stays at your right hand side.



3. Adjust the length of the shoulder strap so that you can hold and operate the machine comfortably.

### IMPORTANT!

Adjust the shoulder strap or harness so the shoulder pad rests comfortably on the off-side shoulder and the cutting path of the cutting attachment is parallel to the ground. Make sure all hooks and adjustment devices are secure.

## Cutting grass with a trimmer head

Your Shindaiwa unit may be equipped with one of several Shindaiwa trimmer head models, each with features for specific applications and/or operational requirements.

### NOTE:

For proper operation, always refer to the instructions accompanying the trimmer head being used.

### Trimmer head styles:

**Semi-automatic.** Trimmer line is indexed when the operator taps the trimmer head on the ground during operation.

**Manual.** The operator indexes line manually with the grass trimmer stopped.

**Fixed.** The operator must stop the unit and add new lengths of trimmer line manually.

**Flail.** This device, designed for clearing weeds and light brush, features three nylon blades attached to the head by pivots.

### NOTE:

Additional hardware may be required to mount the Fixed Line or the Flail type trimmer heads.

### Engine Operating Speeds

Operate at full throttle while cutting grass.

### CAUTION!

Operation at low rpm can lead to premature clutch failure.

### CAUTION!

- Do not push the rotating line into trees, wire fences or any material that could tangle or break line ends.
- Operation of trimmer without a cutting attachment shield and using excessive line length can lead to premature clutch failure.
- Operation at low rpm can lead to premature clutch failure.

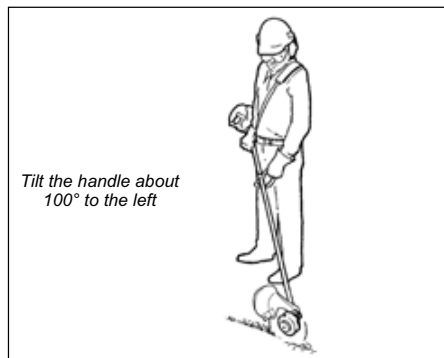
### Trimming and Mowing Grass

Hold the grass trimmer so the trimmer head is angled slightly into the area to be cut. To ensure maximum trimmer-line service life, cut only with the tip of the trimmer line. Cut grass by swinging the unit's trimmer head from left to right. Keep the trimmer head horizontal.



## Edging

Tilt the handle about 100° to the left (from horizontal) and move forward, holding the trimmer or brushcutter vertically as shown.





## Operation (cont.) Using a Blade



### WARNING!

- Before working with a blade-equipped unit, always inspect and clean the area of objects that could interfere with or damage the blade.
- Never use a blade near sidewalks, fence posts, buildings or other objects that could cause injury or damage.
- Never use a blade for purposes other than those for which it was designed.

- Whenever you strike a hard object with a blade, always stop the brushcutter and carefully inspect the blade for damage. NEVER OPERATE THE BRUSHCUTTER WITH A DAMAGED BLADE!
- A blade-equipped unit must be equipped with a bicycle-type handlebar or barrier bar as well as a harness or shoulder strap.
- Always make sure the cutting attachment shield is properly installed before operating this unit.

### Blade Thrust

“Blade thrust” is a sudden sideways or backward motion of the brushcutter. Such motion may occur when the blade jams or catches on an object such as a sapling tree or tree stump. **BE CONSTANTLY ALERT FOR BLADE THRUST AND GUARD AGAINST ITS EFFECTS!**

### Brushcutter Handlebar

A brushcutter handlebar or barrier bar helps prevent the operator from moving forward, or the unit moving rearward, thus preventing inadvertent bodily contact with the blade. **ALWAYS KEEP THE HANDLEBAR OR BARRIER BAR SECURELY IN PLACE ON THE UNIT!**

### Brushcutter harness

A harness provides additional protection against blade thrust. In addition, a harness gives significant support and comfort to help ensure safe and efficient operation. When operating a unit with a blade, make sure both the handle and harness are adjusted to the size of the operator using the unit.

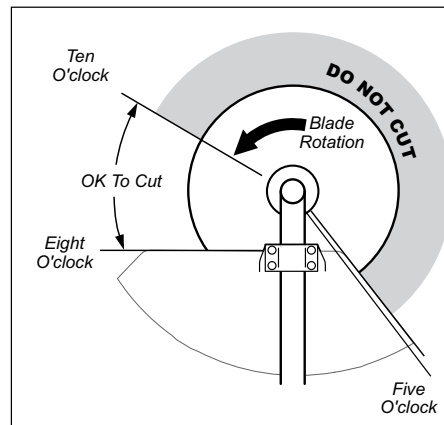
### Engine Operating Speeds

Operate the unit at full throttle while cutting. Best fuel efficiency is obtained by releasing the throttle when swinging back after a cut.

- To prevent possible engine damage, do not allow the brushcutter to run at high speeds without a load.
- Avoid operating the engine at low speeds. Doing so can lead to rapid clutch wear. In addition, slow-speed operation tends to cause grass and debris to wrap around the cutting head.

### Using a Blade

The blade rotates counter-clockwise. For best performance and to minimize being stuck by debris, move the blade from right to left while advancing on your work. Position the blade so cuts are made between the blade’s 8 o’clock and 10 o’clock positions (as viewed from above). **DO NOT** cut between the 10 o’clock and 5 o’clock positions.



### WARNING!

When cutting wood with a blade, feed the blade slowly—never strike or “slam” a spinning blade against the wood.

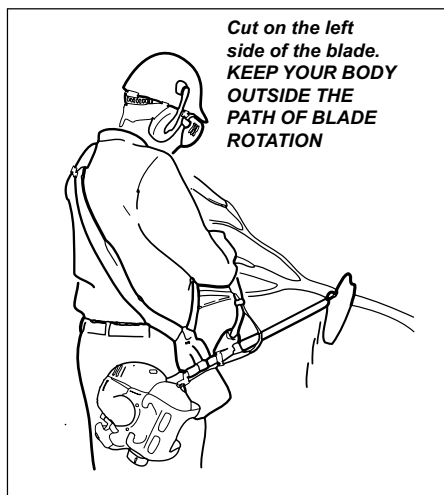


### WARNING!

**DO NOT** use 2-tooth or non-Shindaiwa approved 4-tooth cutting blades with Shindaiwa trimmers and brushcutters.

### Vertical Cuts

Hold the brushcutter with the blade at a 90° angle to the ground so the blade’s bottom edge rotates toward the operator. Move the blade from top to bottom through the cut, and cut only with the bottom edge of the blade.



### WARNING!

When making vertical cuts, never allow the blade to exceed waist height.



## Maintenance

### General maintenance

#### IMPORTANT!

MAINTENANCE, REPLACEMENT OR REPAIR OF EMISSION CONTROL DEVICES AND SYSTEMS MAY BE PERFORMED BY ANY REPAIR ESTABLISHMENT OR INDIVIDUAL; HOWEVER, WARRANTY REPAIRS MUST BE PERFORMED BY A DEALER OR SERVICE CENTER AUTHORIZED BY SHINDAIWA INC. THE USE OF PARTS THAT ARE NOT EQUIVALENT IN PERFORMANCE AND DURABILITY TO AUTHORIZED PARTS MAY IMPAIR THE EFFECTIVENESS OF THE EMISSION CONTROL SYSTEM AND MAY HAVE A BEARING ON THE OUTCOME OF A WARRANTY CLAIM.

#### NOTE:

Using non-standard replacement parts could invalidate your Shindaiwa warranty.



#### WARNING!

Before performing any maintenance, repair, or cleaning work on the unit, make sure the engine and cutting attachment are completely stopped. Disconnect the spark plug wire before performing service or maintenance.



#### WARNING!

Non-standard accessories, cutting attachment, or replacement parts may not operate properly with your unit and may cause damage and lead to personal injury.

#### Muffler

This unit must never be operated with a faulty or missing spark arrester or muffler. Make sure the muffler is well secured and in good condition. A worn or damaged muffler is a fire hazard and may also cause hearing loss.

#### Spark Plug

Keep the spark plug and wire connections tight and clean.

#### Fasteners

Make sure nuts, bolts, and screws (except carburetor adjusting screws) are tight.

#### Air Filter

The C4 engine that powers your Shindaiwa model is a hybrid 4-stroke engine. As a hybrid, the engine is lubricated by oil mixed with the gasoline and air from the carburetor that moves through and around the internal parts of the engine in a similar way that a 2-stroke engine is lubricated. Without the heavy duty 2-stage air filter equipped on all C4 engines, dust and dirt could also move through the engine, decreasing engine life, increasing valve wear and the need for more frequent valve adjustments. To keep your C4 engine strong and reliable, Shindaiwa recommends that you check and service the air filter as instructed in the 10-Hour Maintenance section that follows.

## Daily maintenance

Prior to each work day, perform the following:

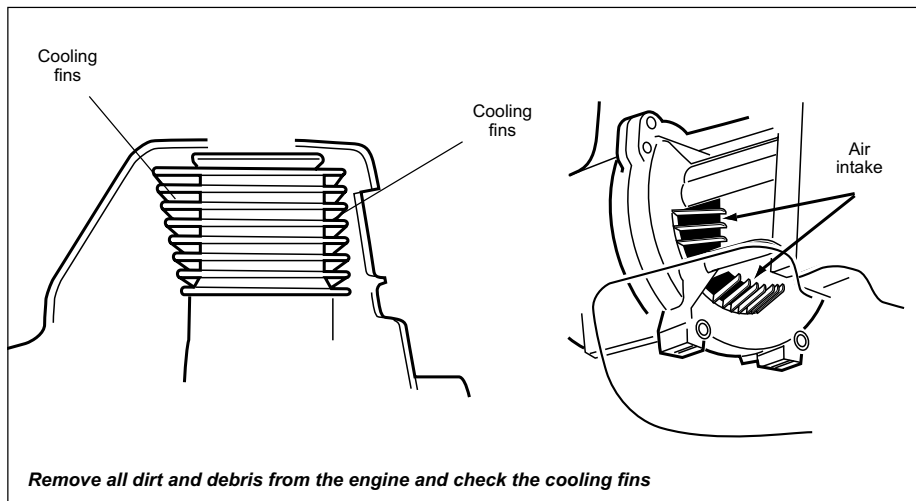
- Remove all dirt and debris from the engine, check the cooling fins and air cleaner for clogging, and clean as necessary.
- Carefully remove any accumulations of dirt or debris from the muffler and fuel tank. Check cooling air intake area at base of crankcase. Remove all debris. Dirt build-up in these areas can lead to engine overheating, fire, or premature wear.



#### WARNING!

Always wear gloves when working around the cutter assembly.

- Lubricate the blades before use and after refueling. Check the cutters for damage or incorrect adjustment.
- Clean any debris or dirt from the cutting attachment.



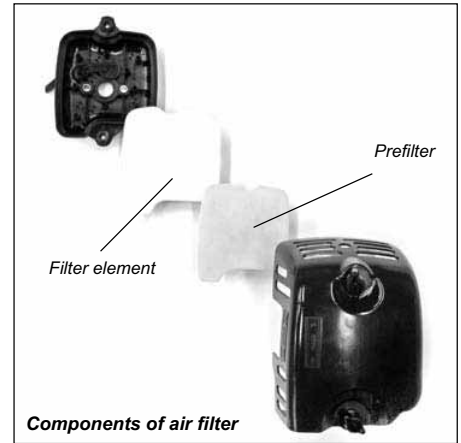
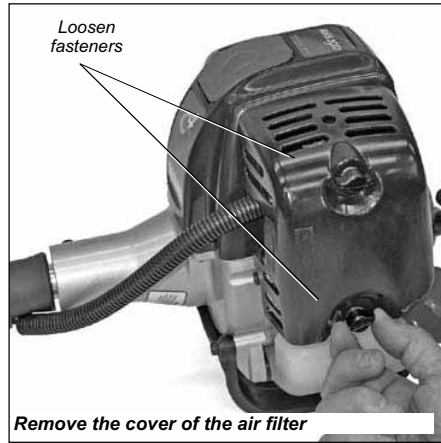
- Check for loose or missing screws or components. Make sure the cutter attachment is securely fastened.
- Check the entire unit for leaking fuel or grease.
- Make sure nuts, bolts, and screws (except carburetor idle speed adjusting screws) are tight.

## Maintenance (continued)

### 10-Hour maintenance

#### (more frequently in dusty conditions)

1. Remove the air filter cover by loosening the cover screw(s) and lifting.
2. Remove and inspect the pre-filter. If the pre-filter is torn or otherwise damaged, replace it with a new one.
3. Clean the pre-filter with soap and water. Let dry before reinstalling.
4. Inspect the air filter element. If the element is damaged or distorted, replace it with a new one.
5. Tap filter gently on a hard surface to dislodge debris from element or use compressed air from the inside to blow debris out and away from the air filter element.
6. Install the air filter element, pre-filter and cover in the reverse order of removal.



#### IMPORTANT!

Direct the air stream at the inside face of the filter only!

#### CAUTION!

Never operate the unit if the air cleaner assembly is damaged or missing!

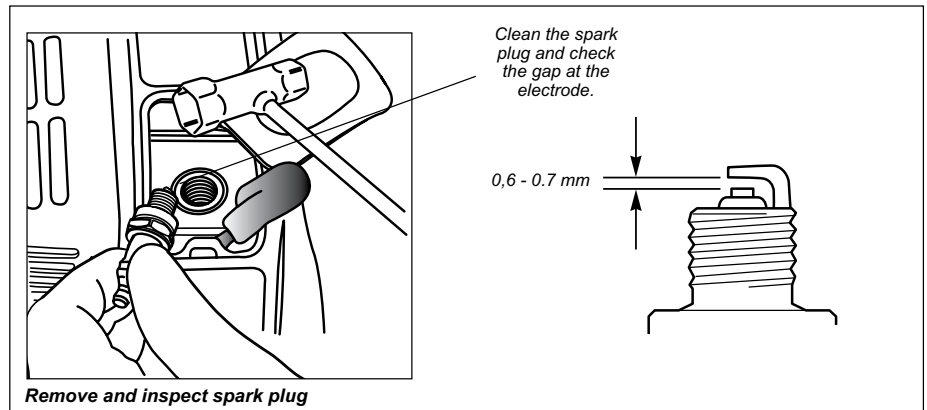
### 10/15-Hour maintenance

#### Remove and clean or replace the spark plug.

- Clean the spark plug. Adjust electrode gap according to the values listed in the "Specifications" section. If the spark plug must be replaced, use only the type recommended in "Specifications" or equivalent resistor type spark plug of the correct heat range.

#### CAUTION!

Before removing the spark plug, clean the area around the plug to prevent dirt and debris from getting into the engine's internal parts.



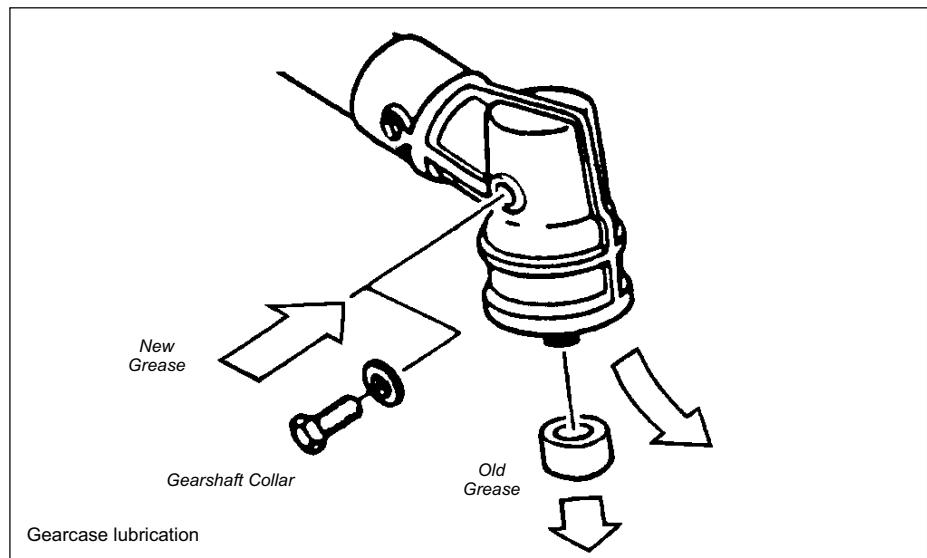
### 50-hour maintenance

#### Every 50 hours of operation; more frequently in dusty conditions:

- Remove and clean the cylinder cover and clean dirt and debris from the cylinder cooling fins.

#### Gearcase lubrication

- Remove and clean the cylinder cover and clean grass and dirt from the cylinder fins.
- Remove the cutting attachment, cutting attachment holder and gearshaft collar. Remove the filler plug from the side of the gearcase and press new grease into the gearcase until old grease is pushed out. Use only lithium-base grease such as Shindaiwa Gearcase Lubricant or equivalent.
- Lubricate mainshaft splines.



## Maintenance (continued)

### 50-hour maintenance

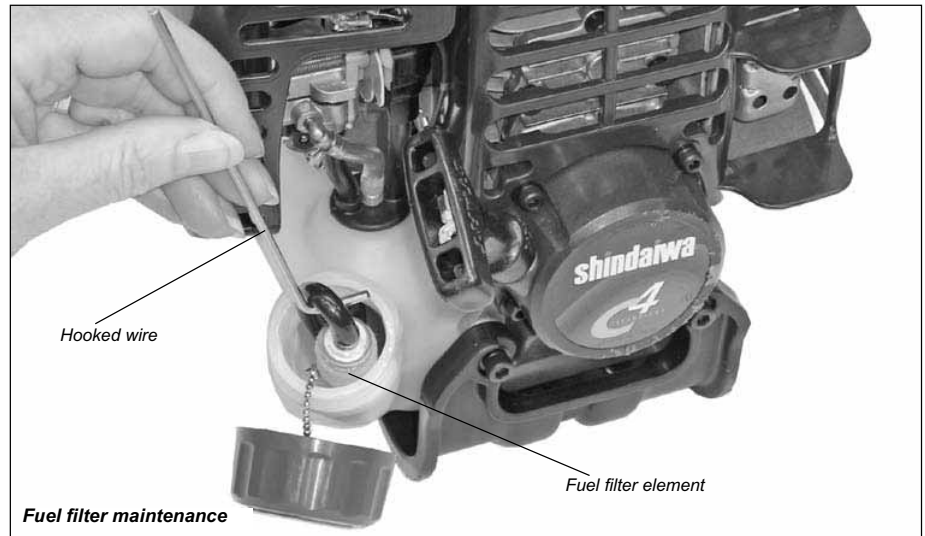
#### Remove and replace the fuel filter element.

- Use a hooked wire to extract the fuel filter from inside the fuel tank. Inspect the fuel filter element. If it shows signs of contamination, replace with a genuine Shindaiwa replacement fuel filter element.

#### CAUTION!

Make sure you do not pierce the fuel line with the end of the hooked wire. The line is delicate and can be damaged easily.

Before reinstalling the new filter element, inspect the condition of all the fuel system components (fuel pick-up line, fuel return line, tank vent line, tank vent, fuel cap and fuel tank). If damage, splitting or deterioration is noted, the unit should be removed from service until it can be inspected or repaired by a Shindaiwa-trained service technician.



### 139/150-Hour Maintenance

#### Maintenance after first 139-hours, then every 150-hours thereafter.

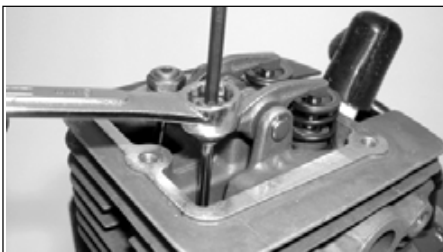
- Combustion chamber should be decarbonized, and the valve clearance should be adjusted. It is highly recommended that this is done by a Shindaiwa-trained service technician.

#### Valve Adjustment

1. Remove cylinder cover, rocker arm cover, and spark plug. Rotate the crankshaft while observing the piston through the spark plug opening. When the piston is at the top of the compression stroke (TDC), the valves can be adjusted.

#### CAUTION!

- Performing a valve adjustment incorrectly may cause hard starting and/or can damage the engine.
- If you are unfamiliar with this engine or uncomfortable with this procedure, consult with an authorized Shindaiwa servicing dealer.



- Replace the spark plug annually: Use only the type recommended in the "Specifications" section or an equivalent resistor type spark plug of the correct heat range. Set spark plug electrode gap to 0.6-0.7 mm.

- The valve clearance should be adjusted annually or every 135 hours. It is highly recommended that this is done by a Shindaiwa-trained service technician.



2. Loosen adjuster locknut so that the 2.5 mm Allen socket head adjustment screw can turn freely.
3. Insert 0.10 mm feeler gauge between valve stem tip and rocker arm.
4. Turn adjustment screw (clockwise = tighter, counter-clockwise = looser) until feeler gauge is almost snug. Back off just enough to allow gauge to slip out with limited resistance.
5. While holding the adjustment screw in place with the Allen driver, tighten the locknut with a wrench.

6. Turn engine over several times, and return to TDC-compression. Recheck with proper feeler gauge to make sure clearance adjustment did not change as a result of tightening the locknut. Readjust as necessary.
7. Replace rocker arm cover gasket to assure proper sealing and install cover.

#### IMPORTANT!

If a new gasket is not available and/or the old gasket is not damaged, the old gasket may be reused. Never use cracked or damaged gaskets!

## Maintenance (continued)

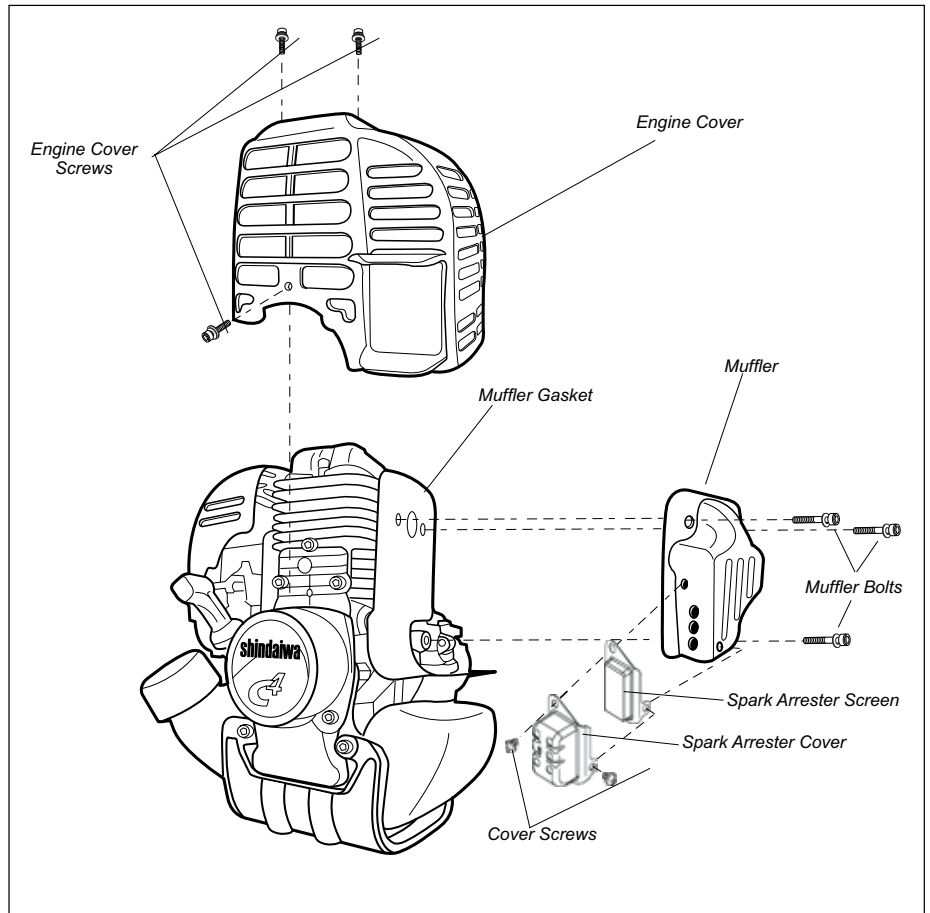
### Muffler and spark arrester maintenance

If the engine becomes sluggish and low on power, check and clean the spark arrester screen.

**WARNING!**  
 Never operate the unit with a damaged or missing muffler or spark arrester! Operating with a missing or damaged spark arrester is a fire hazard and could also damage your hearing.

1. With a 3 mm hex wrench remove the engine cover screws and the engine cover.
2. With a 4 mm hex wrench, remove the 3 muffler bolts and the muffler.
3. With a small flat bladed screwdriver remove the 2 screws holding the spark arrester screen and cover to the muffler.
4. Remove the screen and clean it with a stiff bristle brush.
5. Inspect the cylinder exhaust port for any carbon buildup.
6. Reassemble the spark arrester, muffler and engine cover in the reverse order of disassembly.

**IMPORTANT!**  
 If you note excessive carbon buildup, consult with an authorized servicing dealer.



## Long Term Storage

Whenever the unit will not be used for 30 days or longer, use the following procedures to prepare it for storage:

- Clean external parts thoroughly.
- Drain all the fuel from the carburetor and the fuel tank.

To do so:

1. Prime the primer bulb until no more fuel is passing through.
2. Start and run the engine until it stops running.
3. Repeat steps 1 and 2 until the engine will no longer start.

### CAUTION!

Gasoline stored in the carburetor for extended periods can cause hard starting, and could also lead to increased service and maintenance costs.

**IMPORTANT!**  
 All stored fuels should be stabilized with a fuel stabilizer such as STA-BIL.

**NOTE**  
 Damage caused by stale or contaminated fuel is not covered by the Shindaiwa warranty policy.

- Remove the spark plug and pour about 7 mL (.25 oz.) of 2-cycle mixing oil into the cylinder through the spark plug hole. Slowly pull the recoil starter 2 or 3 times so oil will evenly coat the interior of the engine. Reinstall the spark plug.
- Before storing the unit, repair or replace any worn or damaged parts.
- Remove the air cleaner element from the carburetor and clean it thoroughly with soap and water, let dry and reassemble the element.
- Store the unit in a clean, dust-free area.

## Maintenance (continued)

### Blade Sharpening



#### WARNING!

Wear protective gloves when handling or performing maintenance on the blade.

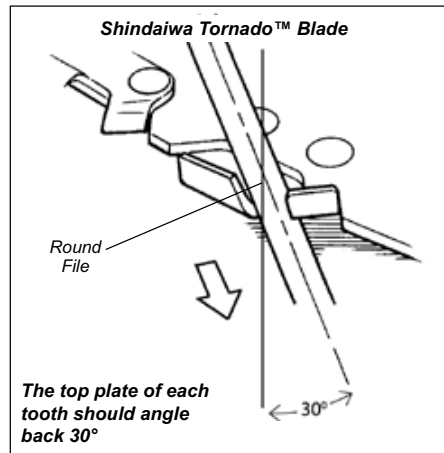
When the cutting edges of the blade become dull, they can be resharpened with a few strokes of a file.

In order to keep the blade in balance, all cutting edges must be sharpened equally.



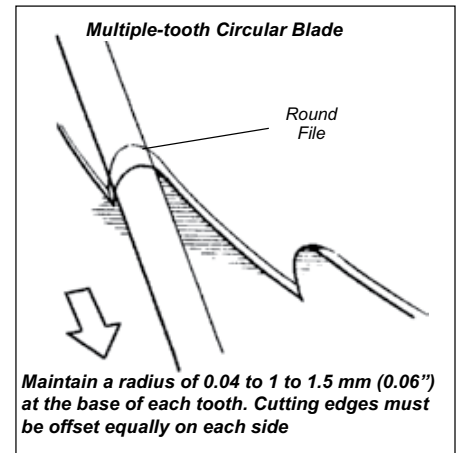
#### WARNING!

Sharpen only the cutting teeth of a blade. DO NOT alter the contour of the blade in any way.



#### Shindaiwa Tornado™ Blade

To sharpen the cutters on a Shindaiwa Tornado™ Blade, use a 7/32-inch round file. File the leading edge of each tooth to a razor edge. The top plate of each tooth should angle back 30°.



#### Multiple-tooth Circular Blade

Use a round file to maintain a radius of 0.04 to 1 to 1.5 mm (0.06") at the base of each tooth. Cutting edges must be offset equally on each side.

What To Check	Possible Cause	Remedy
Does the engine crank?	<p><b>NO</b></p> <ul style="list-style-type: none"> <li>Faulty recoil starter.</li> <li>Fluid in the crankcase.</li> <li>Internal damage.</li> </ul>	Consult with an authorized servicing dealer.
YES		
Good compression?	<p><b>NO</b></p> <ul style="list-style-type: none"> <li>Loose spark plug.</li> <li>Excess wear on cylinder, piston, rings.</li> </ul>	<ul style="list-style-type: none"> <li>Tighten and re-test.</li> <li>Consult with an authorized servicing dealer.</li> </ul>
YES		
Does the tank contain fresh fuel of the proper grade?	<p><b>NO</b></p> <ul style="list-style-type: none"> <li>Fuel incorrect, stale, or contaminated; mixture incorrect.</li> </ul>	Refill with fresh, clean unleaded gasoline with a pump octane of 87 or higher mixed with a premium 2-cycle mixing oil or with an equivalent high quality 2-cycle mixing oil.
YES		
Is fuel visible and moving in the return line when priming?	<p><b>NO</b></p> <ul style="list-style-type: none"> <li>Check for clogged fuel filter and/or vent.</li> </ul>	Replace fuel filter or vent as required. Restart.
YES		
Is there spark at the spark plug wire terminal?	<p><b>NO</b></p> <ul style="list-style-type: none"> <li>The ignition switch is in "O" (OFF) position.</li> <li>Shorted ignition ground.</li> <li>Faulty ignition unit.</li> </ul>	<ul style="list-style-type: none"> <li>Move switch to "I" (ON) position and restart.</li> <li>Consult with an authorized servicing dealer.</li> </ul>
YES		
Check the spark plug.	<ul style="list-style-type: none"> <li>If the plug is wet, excess fuel may be in the cylinder.</li> <li>The plug is fouled or improperly gapped.</li> <li>The plug is damaged internally or of the wrong size.</li> </ul>	<ul style="list-style-type: none"> <li>Crank the engine with the plug removed, reinstall the plug, and restart.</li> <li>Clean the spark plug. Check the <i>Specifications</i> section for the correct plug and gap for your unit. Restart.</li> <li>Replace the spark plug. Check the <i>Specifications</i> section for the correct plug and gap for your unit. Restart.</li> </ul>



# Troubleshooting Guide (continued)

## LOW POWER

What To Check	Possible Cause	Remedy
<p>Is the engine overheating?</p>	<p>Operator is overworking the unit.</p> <p>Carburetor mixture is too lean.</p> <p>Improper fuel ratio.</p> <p>Fan, fan cover, cylinder fins dirty or damaged</p> <p>Carbon deposits on the piston or in the muffler.</p>	<p>Operate at slower rate.</p> <p>Consult with an authorized servicing dealer.</p> <p>Refill with clean fresh unleaded gasoline with a pump octane of 87 or higher, mixed with a premium 2-cycle mixing oil at a 50:1 gasoline/oil ratio.</p> <p>Clean, repair or replace as necessary.</p> <p>Consult with an authorized servicing dealer</p>
<p>Engine is rough at all speeds. May also have black smoke and/or unburned fuel at the exhaust.</p>	<p>Clogged air cleaner element.</p> <p>Loose or damaged spark plug.</p> <p>Air leakage or clogged fuel line.</p> <p>Water in the fuel.</p> <p>Piston seizure.</p> <p>Faulty carburetor and/or diaphragm</p>	<p>Clean or replace the air filter</p> <p>Tighten or replace the spark plug. Restart. Check the <i>Specifications</i> section in this manual for the correct spark plug for this unit.</p> <p>Repair or replace fuel filter and/or fuel line.</p> <p>Refill with fresh fuel/oil mixture.</p> <p>Consult with an authorized servicing dealer.</p>
<p>Engine is knocking.</p>	<p>Overheating condition.</p> <p>Improper fuel.</p> <p>Carbon deposits in the combustion chamber.</p> <p>Valve clearance set incorrectly.</p>	<p>Consult with an authorized servicing dealer.</p> <p>Check fuel octane rating; check for presence of alcohol in the fuel. Refuel as necessary.</p> <p>Consult with an authorized servicing dealer.</p>

## Troubleshooting Guide (continued)

### ADDITIONAL PROBLEMS

What To Check	Possible Cause	Remedy
<div style="border: 1px solid black; padding: 5px; width: fit-content;"> <b>Poor acceleration.</b> </div>	<ul style="list-style-type: none"> <li>Clogged air filter.</li> <li>Clogged fuel filter.</li> <li>Lean fuel/air mixture.</li> <li>Idle speed set too low.</li> </ul>	<ul style="list-style-type: none"> <li>  Clean or replace the air filter.</li> <li>  Replace the fuel filter.</li> <li>  Consult with an authorized servicing dealer.</li> <li>  Adjust idle. Check Specifications page for correct idle speed.</li> </ul>
<div style="border: 1px solid black; padding: 5px; width: fit-content;"> <b>Engine stops abruptly.</b> </div>	<ul style="list-style-type: none"> <li>Switch turned off.</li> <li>Fuel tank empty.</li> <li>Clogged fuel filter.</li> <li>Water in the fuel.</li> <li>Shorted spark plug or loose terminal.</li> <li>Ignition failure.</li> <li>Piston seizure.</li> </ul>	<ul style="list-style-type: none"> <li>  Reset the switch and re-start.</li> <li>  Refuel. See Fuel section of manual.</li> <li>  Replace fuel filter.</li> <li>  Drain; replace with clean fuel. See Fuel section of manual..</li> <li>  Clean or replace spark plug. Check the Specifications page in this manual for the proper spark plug for your unit. Tighten the terminal.</li> <li>  Replace the ignition unit.</li> <li>  Consult with an authorized servicing dealer</li> </ul>
<div style="border: 1px solid black; padding: 5px; width: fit-content;"> <b>Engine difficult to shut off.</b> </div>	<ul style="list-style-type: none"> <li>Ground (stop) wire is disconnected or switch is defective</li> <li>Overheating due to incorrect spark plug</li> <li>Overheated engine.</li> </ul>	<ul style="list-style-type: none"> <li>  Test and replace as required.</li> <li>  Replace the spark plug. Check the Specifications page in this manual for the proper spark plug for your unit.</li> <li>  Idle engine until cool.</li> </ul>
<div style="border: 1px solid black; padding: 5px; width: fit-content;"> <b>Top of engine is getting dirty and oily.</b> </div>	<ul style="list-style-type: none"> <li>Valve cover is leaking.</li> </ul>	<ul style="list-style-type: none"> <li>  Consult with an authorized servicing dealer.</li> </ul>
<div style="border: 1px solid black; padding: 5px; width: fit-content;"> <b>Engine will not idle down.</b> </div>	<ul style="list-style-type: none"> <li>Idle set too high.</li> <li>Engine has an air leak.</li> </ul>	<ul style="list-style-type: none"> <li>  Adjust idle. Check Specifications page for correct idle speed.</li> <li>  Consult with an authorized servicing dealer.</li> </ul>
<div style="border: 1px solid black; padding: 5px; width: fit-content;"> <b>Cutting attachment moves at engine idle.</b> </div>	<ul style="list-style-type: none"> <li>Engine idle too high.</li> <li>Broken clutch spring or worn clutch spring boss.</li> <li>Loose attachment holder.</li> </ul>	<ul style="list-style-type: none"> <li>  Adjust idle. Check Specifications page for correct idle speed.</li> <li>  Replace spring/shoes as required, check idle speed.</li> <li>  Inspect and re-tighten holders securely.</li> </ul>
<div style="border: 1px solid black; padding: 5px; width: fit-content;"> <b>Excessive vibration.</b> </div>	<ul style="list-style-type: none"> <li>Warped or damaged attachment.</li> <li>Loose gearcase.</li> <li>Bent main shaft/worn or damaged bushings.</li> </ul>	<ul style="list-style-type: none"> <li>  Inspect and replace attachment as required.</li> <li>  Tighten gearcase securely.</li> <li>  Inspect and replace as necessary.</li> </ul>
<div style="border: 1px solid black; padding: 5px; width: fit-content;"> <b>Cutting attachment will not move.</b> </div>	<ul style="list-style-type: none"> <li>Shaft not installed in powerhead or gearcase.</li> <li>Broken shaft.</li> <li>Damaged gearcase.</li> </ul>	<ul style="list-style-type: none"> <li>  Inspect and reinstall as required.</li> <li>  Consult with a authorized servicing dealer.</li> </ul>

# Emission System Warranty Statement

## Your Warranty Rights and Obligations

The California Air Resources Board, the U.S. Environmental Protection Agency and Shindaiwa Inc. are pleased to explain the exhaust and evaporative emission control system warranty on your new small off-road (non-road) engine.

In California, new small off-road engines must be designed, built, and equipped to meet the State's stringent anti-smog standards. In other states, new 1997 and later non-road engines must meet the Federal EPA's stringent anti-smog standards.

Shindaiwa Inc. must warrant the emission control system on your small off-road engine for the periods of time listed below, provided there has been no abuse, neglect, or improper maintenance of your small off-road engine.

Your engine exhaust and evaporative emission control system includes parts such as the carburetor, fuel tank, the ignition system and, if equipped, the catalytic converter. These components are specifically listed below.

Where a warrantable condition exists, Shindaiwa Inc. will repair your small off-road engine at no cost to you including diagnosis, parts, and labor.

## Manufacturer's Warranty Coverage

When sold within the U.S., this engine's emission control system is warranted for a period of two (2) years from the date this product is first delivered to the original retail purchaser.

During the warranty period, Shindaiwa Inc. will, at their option, repair or replace any defective emission-related component on this engine. During the original Warranty Period, these Warranty Rights are automatically transferable to subsequent owners of this product.

## What is Covered by this Warranty

1. Carburetor Internal Components
  - Throttle Valve, Needle, Jet, Metering Diaphragm
2. Fuel Tank
3. Ignition System Components
  - Ignition Coil
  - Flywheel Rotor
4. Catalytic Converter (if originally equipped)

The emission control system for your particular Shindaiwa engine may also include certain related hoses and connectors.

## Owners Warranty Responsibilities

As the small off-road engine owner, you are responsible for the performance of the required maintenance listed in this owners manual. Shindaiwa Inc. recommends that you retain all receipts covering maintenance on your small off-road engine, but Shindaiwa Inc. cannot deny warranty solely for the lack of receipts or for your failure to ensure the performance of all scheduled maintenance.

As the small off-road engine owner, you should be aware, however, that Shindaiwa Inc. may deny you warranty coverage if your small off-road engine or a part has failed due to abuse, neglect, improper maintenance, or unapproved modifications.

You are responsible for presenting your small off-road engine to an authorized Shindaiwa Dealer as soon as a problem exists. The warranty repairs should be completed in a reasonable amount of time, not to exceed 30 days.

If you have any questions regarding your warranty rights and responsibilities, you should contact a Shindaiwa customer service representative at (503) 692-3070 or your local Shindaiwa Dealer.

## Consequential Damages

In the event that other component parts of this product are damaged by the failure of a warranted part, Shindaiwa Inc. will repair or replace such component parts at no charge to you.

## What is Not Covered

- Failures caused by abuse, neglect, or improper maintenance procedures.
- Failures caused by the use of modified or non-approved parts or attachments.

## This Warranty is Administered by:

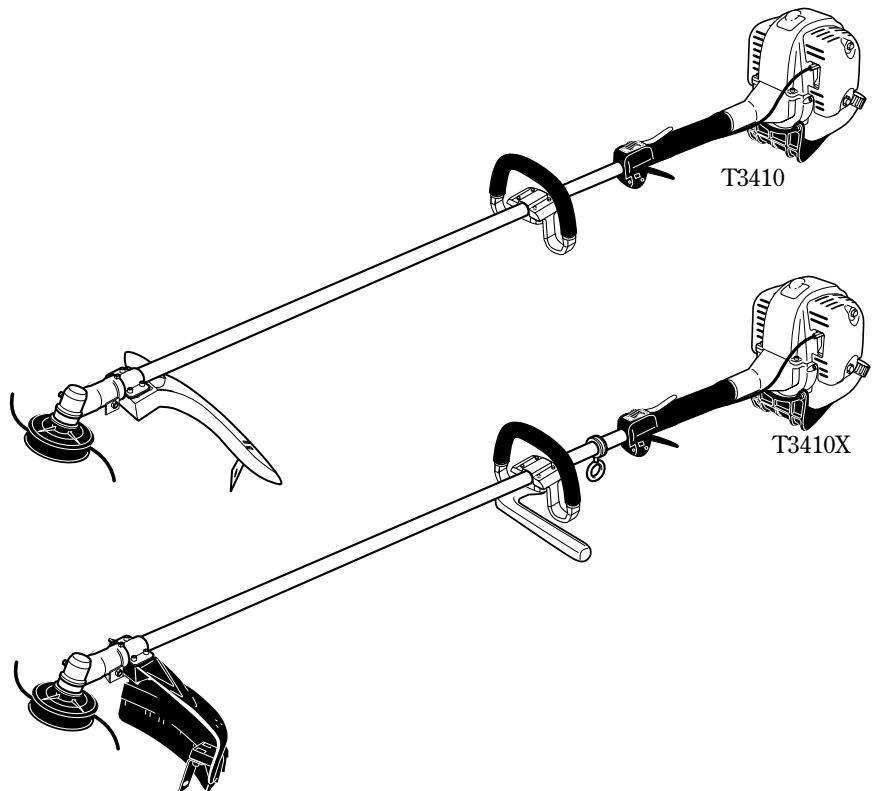
Shindaiwa Inc.  
11975 S.W. Herman Rd.  
Tualatin, OR 97062  
(503) 692-3070



**MANUAL DEL PROPIETARIO/OPERADOR SHINDAIWA**

# **PODADORA T3410**

# **PODADORA T3410X**



**¡ADVERTENCIA!**

Disminuya el riesgo de sufrir lesiones o causar lesiones a otros! Lea este manual y familiarícese con su contenido. Siempre use protección para los ojos y oídos cuando opere esta máquina.

**shindaiwa**<sup>®</sup>

Número de Parte 89301 Rev. 06/2009

## Introducción

Los cortasetos articulado Shindaiwa serie C4 ha sido diseñada y construida para suministrar rendimiento superior y seguridad sin comprometer calidad, comodidad o durabilidad. Los motores de alto rendimiento Shindaiwa representan la tecnología líder en motores de enfriados por aire, de cilindrada y peso notablemente bajos que desarrollan suma potencia. ¡Como dueño/operario, usted muy pronto descubrirá por que Shindaiwa, simplemente, es la única en su clase!

### ¡IMPORTANTE!

La información contenida en este manual describe unidades disponibles a la fecha de su publicación.

Shindaiwa Inc. se reserva el derecho de realizar cambios a sus productos sin previo aviso, y sin la obligación de hacer modificaciones a máquinas fabricadas previamente.



### ¡ADVERTENCIA!

Las emisiones emitidas por el tubo de escape de este producto contienen sustancias químicas que en el estado de California son consideradas como causantes de cáncer, defectos congénitos u otros efectos nocivos a la reproducción humana.

## Contenido

	PÁGINA	PÁGINA	PÁGINA
Seguridad.....	3	Llenando el Tanque de Combustible .....	10
Descripción del Producto.....	5	Arranque del motor .....	11
Especificaciones.....	5	Detención del motor .....	12
Ensamblar.....	6	Ajuste del ralenti del motor.....	12
Mezcla de Combustible.....	10	Verifique la condición de la unidad .....	12
		Aplicaciones.....	13
		Mantenimiento .....	15
		Almacenamiento de Largo Plazo.....	19
		Guía Diagnostico.....	20
		Garantía del Sistema de Emisiones.....	23

### ¡IMPORTANTE!

Los procedimientos descritos en este manual están pensados para ayudarle a sacar el máximo provecho de esta máquina, así como evitar posibles daños y lesiones. Estos procedimientos deben contemplarse como directrices para un manejo seguro en la mayoría de las condiciones y no pretenden reemplazar ninguna norma ni legislación sobre seguridad que pueda estar vigente en su jurisdicción. Si tiene alguna duda acerca de su herramienta mecánica o si no comprende alguna explicación de este manual, su distribuidor de Shindaiwa estará encantado de atenderle. También puede ponerse en contacto con Shindaiwa Inc. en la dirección impresa en el dorso de este manual.

## Declaraciones De Seguridad

A través de este manual se encuentran “declaraciones de seguridad” especiales.



### ¡PELIGRO!

Toda explicación precedida por el símbolo de atención triangular y la palabra “PELIGRO” indica una situación potencialmente peligrosa que, en caso de no evitarse, se causarán lesiones graves o incluso la muerte.



### ¡ADVERTENCIA!

Toda explicación precedida por el símbolo de atención triangular y la palabra “ADVERTENCIA” indica una situación potencialmente peligrosa que, en caso de no evitarse, PODRÁ provocar la muerte o lesiones graves.

### ¡PRECAUCIÓN!

Toda explicación precedida por la palabra “PRECAUCIÓN” contiene información de obligado cumplimiento para evitar que se produzcan daños en la máquina.

### NOTA:

Toda explicación precedida por la palabra “NOTA” contiene información que conviene conocer y que puede facilitarle su trabajo.

### ¡IMPORTANTE!

Toda explicación precedida por la palabra “IMPORTANTE” tiene especial trascendencia.

## Etiquetas de seguridad



Lea y siga las recomendaciones de este manual del operario. De no hacerlo podrá resultar en lesiones graves.



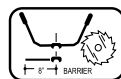
Manténgase alerta por objetos lanzados o rebotes.



Póngase siempre un arnés cuando use esta unidad con una cuchilla. También se recomienda utilizar un arnés para trabajar con hilo de podadora.



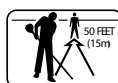
Use protección para los ojos y protección para los oídos en todo momento que este operando esta máquina.



NO UTILICE este aparato con una cuchilla salvo que esté equipado con un manillar o una barrera autorizados por Shindaiwa.



Si la unidad se utiliza como desmalezadora, protéjase contra posibles retrocesos de la cuchilla. Al atascarse, la cuchilla puede producir un tirón brusco y provocar que el operador pierda el control del aparato.



Mantenga a los transeúntes a una distancia mínima de 15 metros (50 pies) mientras la máquina este en operación.



# Seguridad

## Trabaje con cuidado

Podadoras Shindaiwa operan a velocidades altas y pueden causar daños o lesiones serias si son mal usadas o abusadas. Nunca permita que una persona sin entrenamiento o instrucción opere esta unidad!



### ¡ADVERTENCIA!

Nunca instale accesorios no autorizados.

### Mantengase Alerta

Usted debe estar en optimas condiciones física y mental para operar esta maquina en forma segura.



### ¡ADVERTENCIA!

Nunca opere ninguna maquinaria motorizada si está cansado o si está bajo la influencia de alcohol, drogas o medicamentos o cualquier otra substancia que pueda afectar su habilidad y juicio.



### ¡ADVERTENCIA!

#### Use Buen Juicio

Inspeccione **SIEMPRE** la unidad antes de cada uso. Sustituya cualquier pieza dañada.

**NUNCA** opere el motor cuando transporte la unidad.

**NUNCA** opere la unidad en el interior! Cerciorese que siempre haya buena ventilación. El humo o gases del escape del motor pueden causar serias lesiones o la muerte.

**SIEMPRE** mantenga su área de trabajo libre de basura u objetos que pueden rebotar contra usted o contra transeúntes.

**SIEMPRE** use el accesorio de corte apropiado.

**SIEMPRE** pare el motor inmediatamente si repentinamente empieza a vibrar. Inspeccione el accesorio de corte por partes quebradas, faltantes o instaladas incorrectamente.

**NUNCA** extienda el cable de nylon más allá de lo especificado para su máquina.

**SIEMPRE** mantenga la máquina lo más limpia posible. Manténgala libre de vegetación, barro, etc.

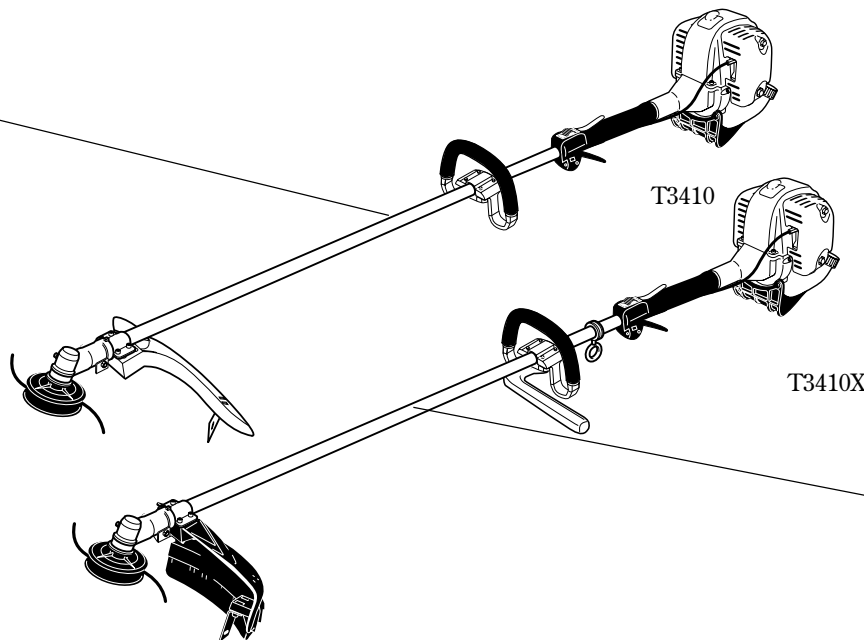
**SIEMPRE** sujete la máquina firmemente con ambas manos cuando corte o recorte. Mantenga el control en todo momento.

**SIEMPRE** mantenga los mangos limpios.

**SIEMPRE** desconecte el cable de bujía antes de hacer mantenimiento a la máquina.

**Siempre**, apague el motor de inmediato si el disco/cuchilla se enreda en un corte. apague el motor inmediatamente. Saque la rama o árbol para liberar el disco/cuchilla.

## Etiquetas de seguridad



### ¡IMPORTANTE!

Información de Operación: Asegurese que toda las etiquetas estén libres de daños y legibles. Reemplace inmediatamente etiquetas dañadas o faltantes. Etiquetas nuevas están disponibles en su centro de servicio local autorizado de Shindaiwa.

## Seguridad (continuación) El operario debidamente equipado

Español

Casco protector o gorra y protector de oídos son requeridos al usar desmalezadoras equipadas con cuchillas para corte de pequeños árboles. Exposición prolongada a ruidos extremos puede causar afecciones auditivas o sordera.

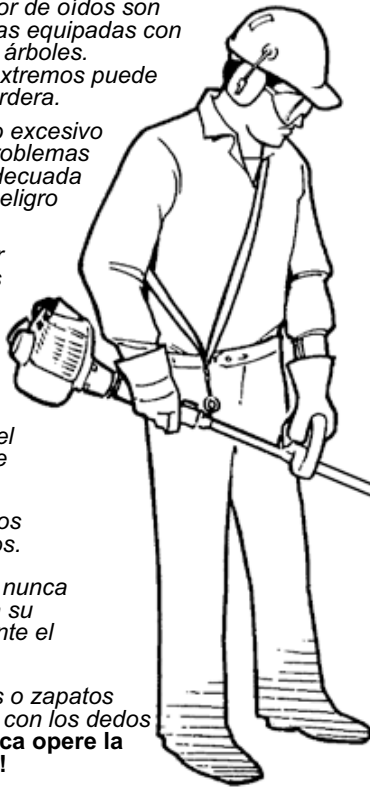
La exposición prolongada al ruido excesivo es fatigante y puede ocasionar problemas auditivos. El uso de protección adecuada en los oídos puede reducir este peligro potencial.

Use ropa de su talla para proteger su piernas y brazos. Los guantes siempre proveen protección adicional y son altamente recomendados. No use ropa holgada o joyas que puedan atascarse en la máquina o en la vegetación. Amárrese el cabello largo de tal forma que esté sobre el nivel de los hombros. NUNCA use pantalones cortos.

Exponerse a vibraciones por largos periodos puede afectar sus manos.

Mantenga una posición segura y nunca extienda el cuerpo- mantenga su balance en todo momento durante el uso de la máquina.

Use calzado apropiado (botas o zapatos antideslizantes): no use zapatos con los dedos descubiertos o sandalias. **Nunca opere la máquina descalzo!**



Siempre use protección para los ojos tal como lentes de seguridad para protegerse de objetos lanzados. Use un protector auditivo y un casco o sombrero.

Siempre haga uso del arnés cuando opere la unidad. Esto le añade comodidad y ayuda a mantener niveles de seguridad adecuados durante el movimiento de avance o retroceso. Con el arnés ajustado adecuadamente la unidad logra un balance correcto paralelo con el suelo.

Siempre opere con ambas manos sujetando el mango firmemente.

Al operar con cuchilla, asegúrese de que el mango de apoyo esté posicionado para proveerle el máximo control y protección. Asegúrese siempre que el mango de apoyo esté instalado de acuerdo a las instrucciones y especificaciones del fabricante.

Siempre cerciórese de que el protector del accesorio de corte esté instalado correctamente y que esté en buena condición. No opere la unidad si el protector de corte se ha olvidado, está suelto o roto.

Manténgase alejado de la línea de corte o disco en rotación en todo momento, y NUNCA levante un accesorio en rotación más arriba de su cintura.

## Esté alerta del area de trabajo

Evite trabajar durante largo tiempo bajo temperaturas muy calientes o muy frías.

Tenga mucho cuidado al trabajar sobre terrenos resbalosos, especialmente en tiempo de lluvia.

Esté constantemente alerta de los objetos y despojos que puedan ser lanzados por el accesorio de corte o rebotados.

Si hace contacto con un objeto sólido, detenga el motor e inspeccione el accesorio de corte en busca de daños.



Cerciórese de que los transeúntes u observadores estén fuera de la "zona de peligro" de 50 pies usen protección de ojos.

**15 METROS  
(50 pies)**

Siempre cerciórese de que el protector del accesorio de corte esté correctamente instalado.

Reduzca el riesgo de que alguien que pase cerca de allí sea golpeado por los objetos que salen despedidos. Asegúrese de que no haya nadie en un radio de 15 metros de distancia de un accesorio en funcionamiento. Pare tan pronto como un cualquier persona o animal se aproxime a menos de 15 metros. Fuera de este radio sigue existiendo riesgo de lesiones por objetos despedidos.

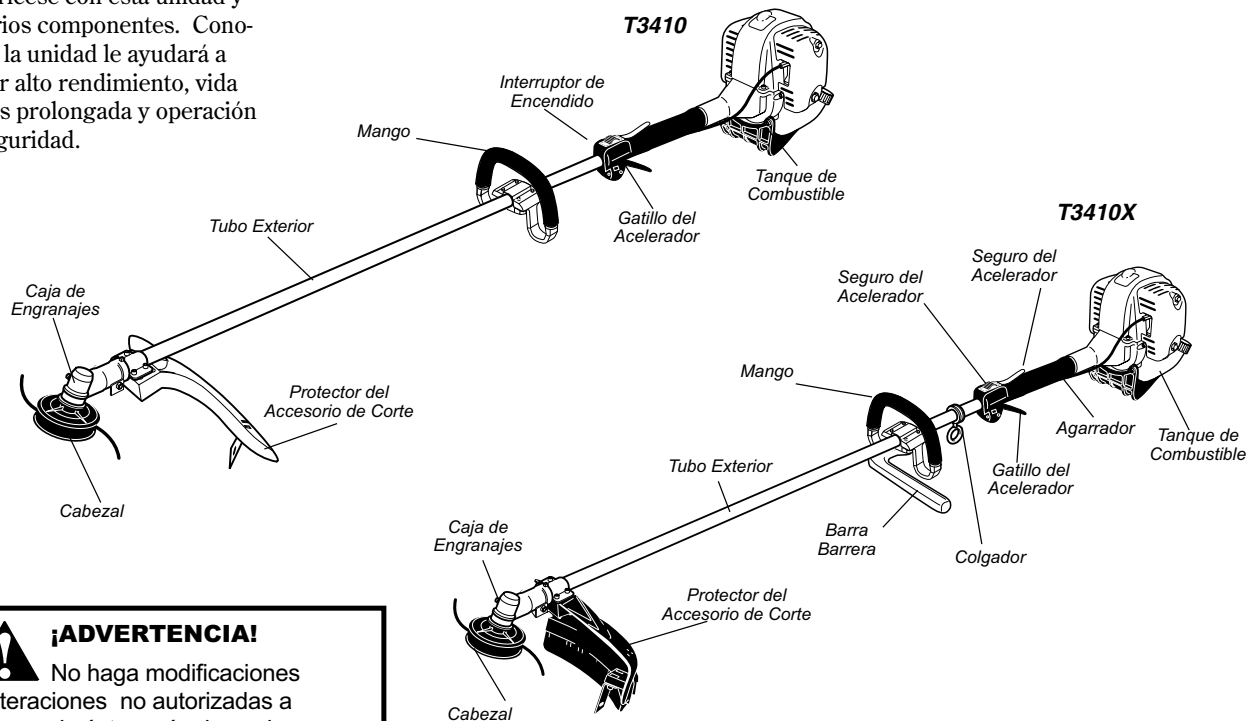
No opere la unidad si el protector está olvidado, suelto o roto.

Manténgase pendiente del disco en rotación cuando corte o pade arbustos. El disco en rotación puede causar lesiones cuando continua girando después de haber soltado el acelerador o después de haber apagado el motor.

**SIEMPRE** mantenga su área de trabajo libre de basura u objetos que pueden rebotar contra usted o contra transeúntes. Al operar sobre superficies rocosas, próximo a cercas o en zonas de muchos obstáculos debe evitar o disminuir el contacto constante con los mismos.

## Descripción del Producto

Use las ilustraciones como guía, familiarícese con esta unidad y sus varios componentes. Conociendo la unidad le ayudará a obtener alto rendimiento, vida útil más prolongada y operación con seguridad.



### ¡ADVERTENCIA!

No haga modificaciones o alteraciones no autorizadas a ninguna de éstas máquinas ni a sus componentes.

Español

## Especificaciones

Nombre del motor	T3410	T3410X
Modelo de motor	SF3410E	
Tipo de motor	4-tiempo, cilindro vertical, refroidissement à air	
Peso en seco (sin protector ni correa)	5.9 kg / 13.0 lb.	6.0 kg / 13.2 lb
Diámetro x carrera	38 x 30 mm / 1.5 x 1.2 in.	
Cilindrada	34 cc / 2.1 cu. in.	
Potencia máxima	1.0 kW (1.4 HP) @ 8000 (min <sup>-1</sup> )	
Régimen de giro al ralentí (recomendado)	3,000 (±300) min <sup>-1</sup>	
Proporción de combustible/aceite	50:1 con aceite de mezcla para 2 tiempos ISO-L-EGD o JASO FC	
Capacidad del depósito de combustible	700 ml / 23.7 oz.	
Tipo de carburador	Walbro, WYL, tipo diafragma	
Encendido	Totalmente electrónico, controlado por transistor	
Bujía	NGK CMR5H	
Separación del electrodo	0.6 - 0.7 mm (0.024 - 0.028 inch)	
	Torsión	
	100 - 150 kg cm / 9.8 - 14.7 N·m	
Tipo de filtro de aire	Pre-filtro: espuma ; filtro principal: elemento seco	
Método de arranque	Tirador autorretráctil	
Método de parada	Interruptor deslizante	
Tipo de transmisión	Automática, embrague centrífugo con engranaje angular	
Período de conformidad de emisiones de la EPA*	Categoría A	

Especificaciones sujetas a cambios sin previo aviso.

\* El cumplimiento de emisiones EPA referido en la etiqueta en el motor, indica el número de horas de operación por la cual el motor ha demostrado cumplir con los requisitos federales de emisiones. Categoría C = 50 horas (Moderado), B= 125 horas (Intermedio) y A = 300 horas (Extendido).

\*\* La NGK BPMR5A también cumple con los requisitos de la regulación de electro magnéticos (EMC).

## Ensamblaje

Esta unidad viene completamente ensamblada con la excepción del accesorio de corte y el protector del accesorio de corte.

### ¡IMPORTANTE!

Los términos “izquierda”, “mano izquierda”, y “LH”; “derecha”, “mano derecha”, y “RH”, “delantera” y “trasera”, indican direcciones desde el punto de vista del operador durante la operación normal de este producto.

### Antes de Ensamblar

Antes de ensamblar, cerciórese de que tenga todos los componentes necesarios para armar una máquina completa e inspeccione la unidad y componentes en busca de daños.

- Ensamblaje del motor y eje.
- Protector del accesorio de corte.
- Accesorio de corte.

■ Este paquete contiene el soporte y utensilios de metal para montar el protector del accesorio de corte, este manual del propietario/operador y juego de herramientas para mantenimiento rutinario. Los paquetes de herramientas varían por modelo y pueden incluir una llave bujía y destornillador, y un raspador.

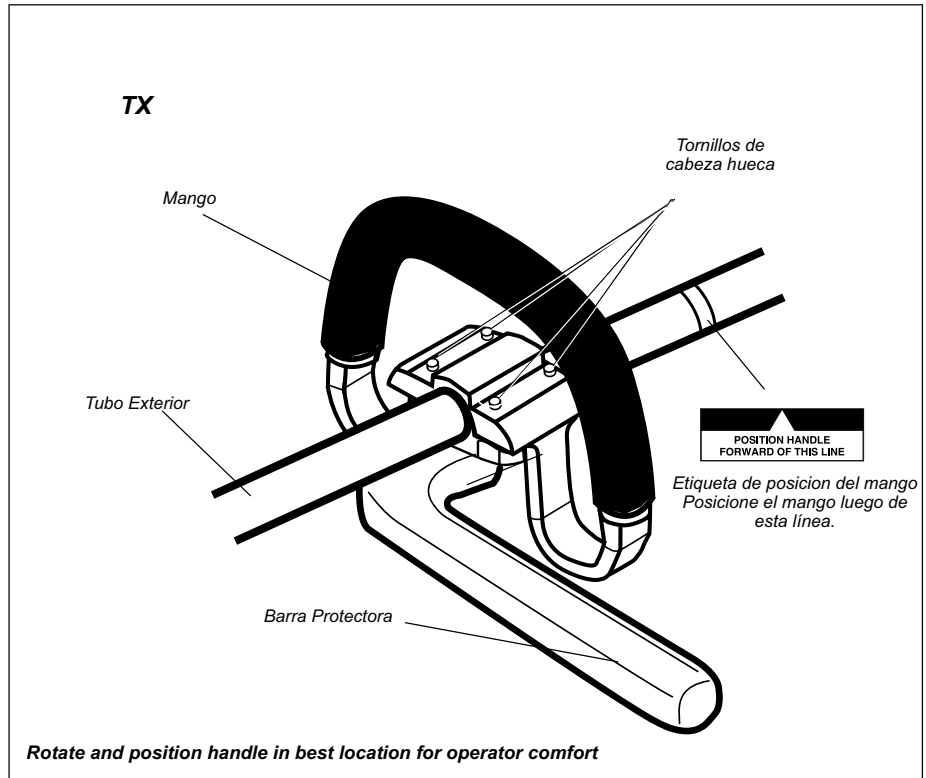
### Mango y barra protectora (unidades TX)

1. La fábrica instala el mango en el tubo exterior y es posicionado verticalmente.
2. Afloje tornillos de cabeza hueca y rote el mango 90 grados.

#### NOTA:

Mantenga el mango de apoyo frente a la marca de la etiqueta.

3. Posicione el mango hacia adelante a la posición más cómoda para el operador (usualmente a 25 cm o 10 pulgadas más allá de la caja del acelerador).
4. Ajuste de manera segura los tornillos de cabeza de copa.



## Protector del accesorio de corte

1. Inserte el protector del accesorio de corte entre el tubo exterior y la placa de montaje.

### NOTA:

Pueda que sea necesario aflojar el retén y el tornillo sujetador para ajustar la placa de montaje del protector del accesorio de corte.

2. Coloque los dos espaciadores y el soporte sobre el tubo exterior e instale sin ajustar los cuatro tornillos de cabeza allen y apriete los cuatro tornillos.
3. Apriete los cuatro tornillos de cabeza allen para asegurar el protector del accesorio de corte.

### ¡PRECAUCIÓN!

Asegurese de que el tornillo sujetador y el retén estén debidamente apretados antes de apretar los cuatro tornillos de cabeza allen.

### ¡ADVERTENCIA!

NUNCA opere la unidad sin el protector del accesorio de corte instalado y asegurado firmemente.

**Protector Secundario** (cuando el cabezal está en uso)

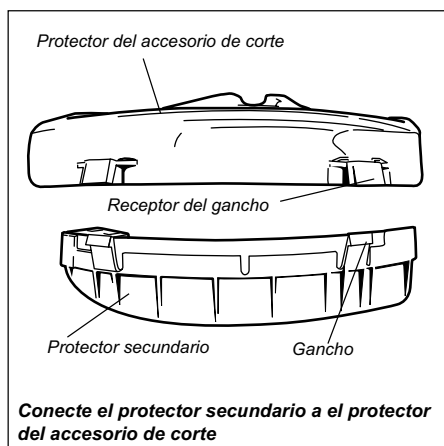
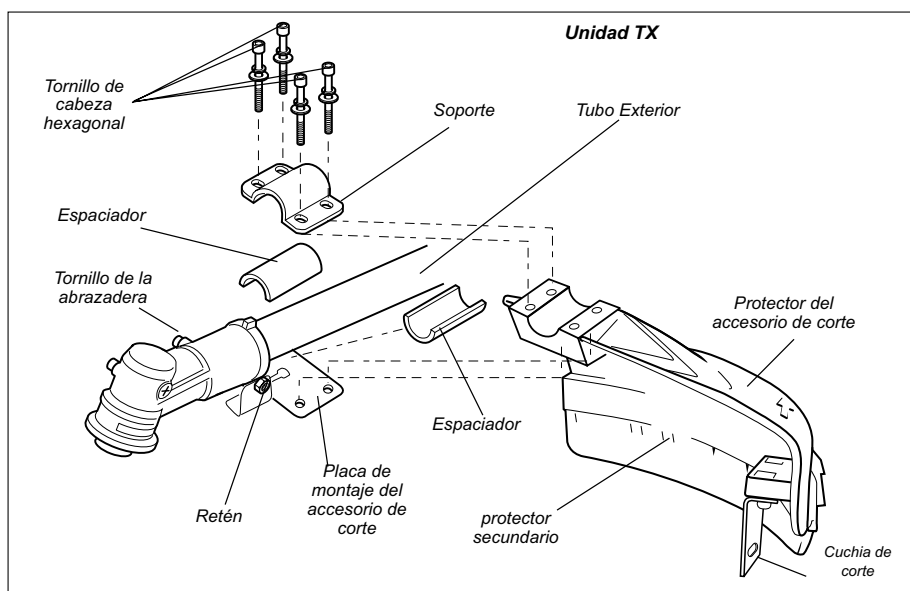
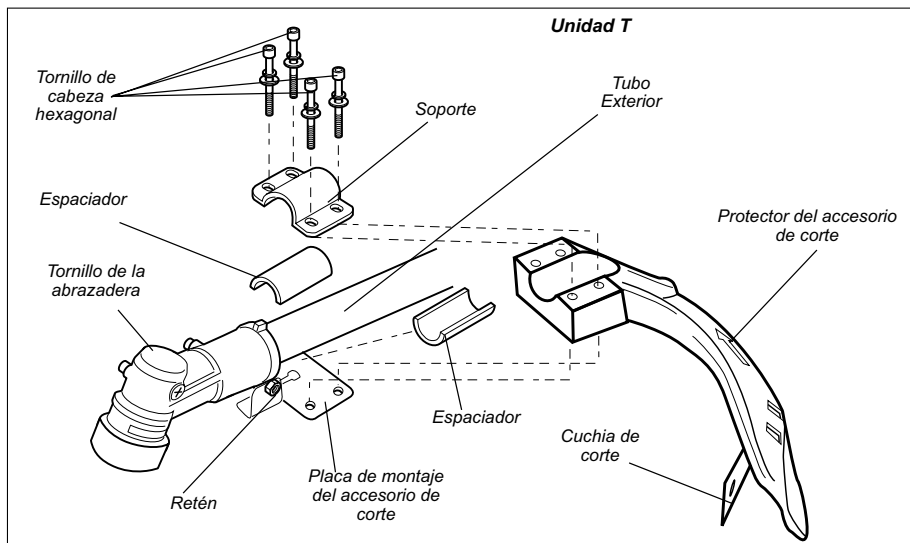
1. Conecte el protector secundario a el protector del accesorio de corte.

### ¡ADVERTENCIA!

JAMAS utilice esta maquina sin el protector secundario cuando el cabezal de corte esté en uso.

### ¡PRECAUCIÓN!

Asegurase que el protector secundario este completamente enganchado con el receptor del gancho.



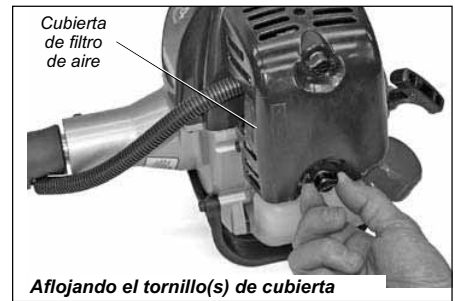
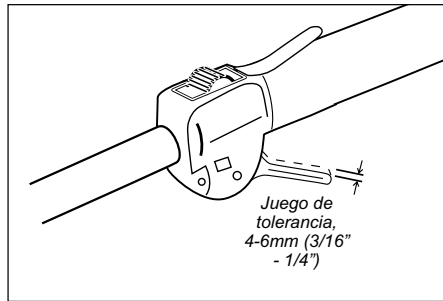


## Ensamblaje (continuación)

### Ajuste la holgura del acelerador

La holgura del gatillo debe ser aproximadamente de 4 - 6 mm (3/16" - 1/4"). Cerciórese que el gatillo de aceleración opere suavemente sin trabarse. Si es necesario ajustar la holgura, siga los procedimientos e ilustraciones a continuación.

1. Afloje el botón de la tapa del filtro de aire y retire la tapa del filtro de aire.
2. Afloje la tuerca de seguridad en el cable ajustador.
3. Gire el cable ajustador hacia dentro o fuera como sea requerido para obtener la holgura apropiada 4 - 6 mm (3/16" - 1/4").
4. Apriete la tuerca de seguridad.



## Instalación del cabezal de corte



### ¡ADVERTENCIA!

Una podadora de grama normal con mango circular NUNCA debe ser operada con accesorios tipo cuchilla. Para usar cuchilla, la podadora debe estar equipada con un mango tipo bicicleta o un mango con barrera ubicado al frente del operario para reducir el riesgo de que el operario entre en contacto con el accesorio de corte (Norma ANSI B175.3). Cuando use una cuchilla, la unidad debe estar equipada con un arnés o correa.

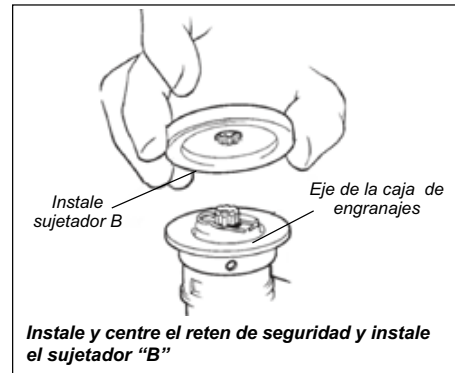
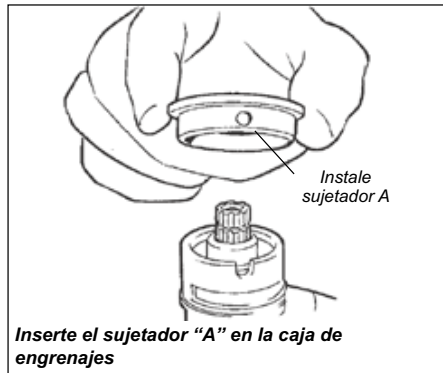
### NOTA:

Este modelo es enviado con el Sujetador A, el retén de disco (el retén de seguridad), el Sujetador B, el perno de eje, y el protector de perno instalado. El perno de eje tiene una rosca izquierda. Gire hacia las agujas del reloj para retirarlo.

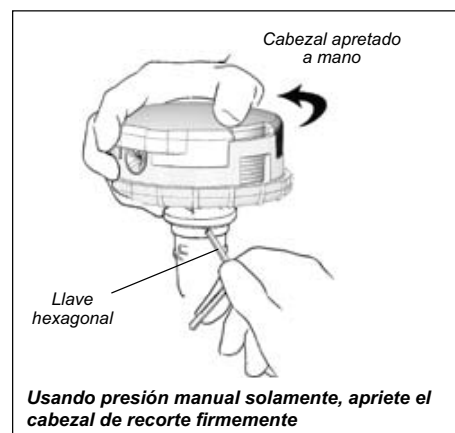
### ¡IMPORTANTE!

Para acoplar una cabezal de podadora, primero quite el perno del eje y el protector del perno.

1. Voltee la maquina de tal forma que el eje de salida de la caja de cambios esté cara arriba. Quite ambos sujetadores.
2. Asiente el sujetador "A" según las indicaciones de la ilustración e inserta sobre la caja de engranajes.
3. Instale y centre el retén de seguridad en la caja de engranajes.



4. Instale el sujetador "B" en el eje de la caja de engranajes. La muesca ranurada del sujetador B debe encajar con el eje de la caja de engranajes.
5. Gire la caja de engranajes y sujetadores hasta el eje de cambios y el sujetador A alinee con la muesca en el borde de la caja de engranajes, y luego asegure el sujetador a la caja insertando el lado más largo de la llave hexagonal a través de ambas muescas.
6. Enrosque el cabezal de corte sobre el eje de salida, girando en dirección contraria a las agujas del reloj. Usando presión manual solamente, apriete el cabezal de recorte firmemente en el eje de salida.
7. Retire la llave hexagonal.
8. Ajuste el largo de la línea de corte para que alcance no más allá de la cuchilla de corte en el protector. Recorte el largo correcto si es necesario.



**La unidad debe ahora estar completamente ensamblada y lista para ser usada con un cabezal.**

## Ensamblaje (continuacion)

### Instalación de la cuchilla desmalezadora



#### ¡ADVERTENCIA!

No instale ninguna cuchilla en la unidad sin haber instalado correctamente todas las piezas necesarias. La utilización de piezas inadecuadas puede provocar que la cuchilla salga despedida y lesione seriamente al operador o a los presentes.

1. Ponga la unidad de cabeza, de tal forma que el perno del eje de la caja de engranajes este cara arriba y retire el perno del eje, el protector de perno y el soporte B del eje de la caja de engranajes.
2. Alinie la muesca en el Soporte A con la muesca correspondiente en el borde de la caja de engranajes y luego asegure temporalmente el eje de salida insertando la llave hexagonal a través de ambas muescas.
3. Deslice el retén de seguridad a posición descentrada.
4. Encaje la cuchilla sobre el retén de seguridad y luego centrela sobre el borde del Soporte A. Bloqueo de la cuchilla en su lugar por centrar el retén de seguridad en el eje de salida.



#### ¡ADVERTENCIA!

El disco debe encajar en forma plana contra el borde del sujetador. La muesca de montaje del disco debe estar centrada sobre el patrón elevado en el sujetador de disco A.

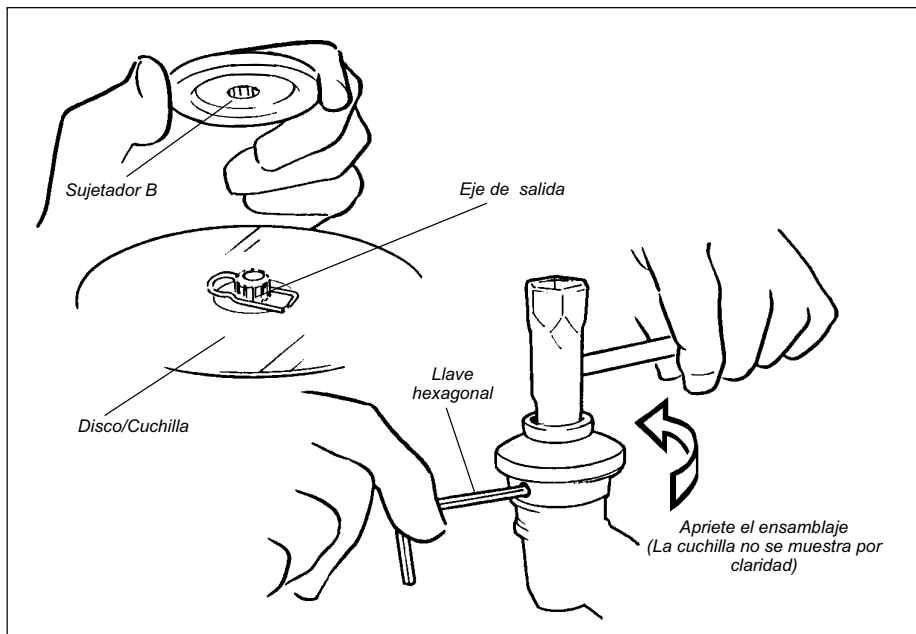
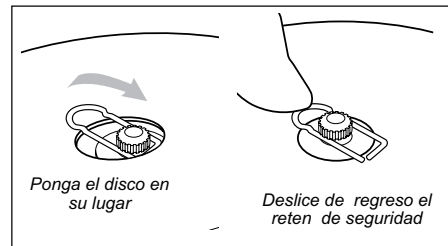
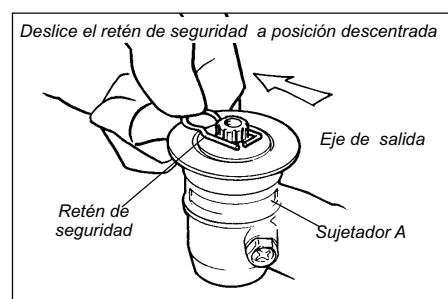
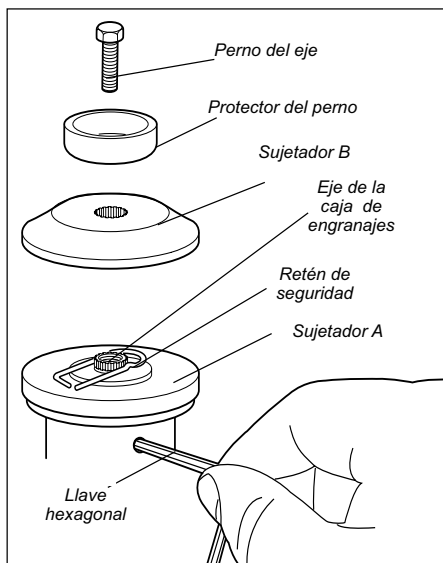
#### ¡PRECAUCIÓN!

Instale la cuchilla de modo que su superficie impresa sea visible al operador estando la desmalezadora en posición de funcionamiento normal.



#### ¡ADVERTENCIA!

El soporte B debe acoplarse a ras de la cuchilla y las acanaladuras engranar con el eje de transmisión.



#### ¡IMPORTANTE!

Deseche las cuchillas dobladas, combadas, agrietadas, rotas o que presenten cualquier tipo de anomalía. Utilice una cuchilla afilada. Una cuchilla sin filo tiene más probabilidades de engancharse y causar golpes de retroceso.

6. Instale el protector de perno y luego el perno de retención de la cuchilla. Usando la llave de bujía/destornillador combinado, apriete el perno firmemente en dirección contraria a las agujas del reloj.
7. Retire la llave hexagonal.

**La unidad debe estar ahora completamente ensamblada y lista para ser usada con una cuchilla.**

## Mezcla de Combustible

### PRECAUCIÓN!

- Nunca use ningún combustible que contenga más de 10% de alcohol por volúmen! Algunas gasolinas contienen alcohol como un oxigenante. Combustibles oxigenados pueden aumentar la temperatura del motor durante su funcionamiento. Bajo ciertas condiciones, combustible con alcohol puede reducir la calidad lubricante de algunos aceites de mezcla.
- Aceites genéricos y algunos aceites para motores fuera de borda no deben ser usados en su motor Shindaiwa!

### PRECAUCIÓN!

Este motor está diseñado solamente para funcionar con una mezcla de 50:1 de gasolina sin plomo y aceite de mezclar para motores de 2 tiempos. ISO-L-EGD o JASO FD. El uso de aceites de mezclar no autorizados puede conducir a excesos de depósitos de carbón.

- Use solamente gasolina fresca, limpia y sin plomo, con índice de octanaje de 87 o superior.
- Mezcle todo el combustible con aceite de mezclar para motores de 2 tiempos enfriados por aire que cumpla o exceda aceites clasificados ISO-L-EDG y/o JASO FD a proporción de 50:1 gasolina/aceite.

### PRECAUCIÓN!

Mezcle y reposte el combustible al aire libre y donde no haya chispas ni llamas.

## Ejemplos de cantidades de mezcla a proporción de 50:1

U.S.		Métricas	
Gasolina	Mezclar para motores de 2 tiempos	Gasolina	Mezclar para motores de 2 tiempos
EE.UU. Gallons	EE.UU. Fl.oz.	Liter	cc.
1	2.6	4	80
2	5.2	8	160
5	13	20	400
10	25.6	30	600
20	51.2	50	1000
50	128	100	2000

### IMPORTANTE!

Mezcle solamente el combustible necesario para uso inmediato! De ser necesario almacenar el combustible por más de 30 días, y si no se está usando aceite **ONE** con estabilizador de combustible, entonces el combustible debe ser tratado primero con un estabilizador como por ejemplo StaBil™.

El aceite **ONE** es un aceite registrado de JASO FD clasificado y también cumple o excede los requisitos de rendimiento de ISO-L-EGD. Shindaiwa One es recomendado para el uso en todos los motores Shindaiwa de baja emisión. Shindaiwa One también incluye el estabilizador de combustible.

## Llenando el Tanque de Combustible



### ADVERTENCIA!

Disminuya el riesgo de incendios!

- **NUNCA** fume o encienda fuegos cerca del motor o del combustible!
- **SIEMPRE** mantenga la gasolina en un contenedor aprobado.
- **SIEMPRE** deje pare y enfriar el motor antes de volver a llenar el tanque.
- **SIEMPRE** examine la unidad en busca de posibles fugas de combustible antes de cada uso. Durante cada recarga, asegúrese de que no haya fugas de combustible alrededor de la tapa de combustible y/o del tanque. Si detecta alguna fuga, detenga la unidad inmediatamente. Toda fuga de combustible debe haberse reparado antes de utilizar la unidad.
- **SIEMPRE** limpie todo derrame de combustible y aleje el motor por lo menos 10 pies (3 metros) del depósito de combustible antes de volver a prender el motor!
- **SIEMPRE** antes de volver a encender el motor, aléjelo al menos 3 metros del punto de repostaje, del lugar de almacenamiento y de cualquier material fácilmente inflamable.
- **NUNCA** coloque material inflamable cerca del silenciador del motor!
- **NUNCA** opere el motor sin antes comprobar que el silenciador y guardachispas se están instalados y funcionan correctamente.
- **EL COMBUSTIBLE ES SUMAMENTE INFLAMABLE.**

1. Posicione la máquina sobre una superficie plana y nivelada.
2. Retire cualquier suciedad o despojos alrededor de la tapa de combustible.

### PRECAUCIÓN!

Para repostar, retire lentamente el tapón de combustible sólo después de haber apagado el motor.

3. Retire la tapa de combustible y llene el tanque con combustible fresco y limpio.
4. Reinstale la tapa de combustible y apriete firmemente.
5. Limpie todo el combustible derramado antes de volver a arrancar el motor.



# Arranque del motor

## ¡IMPORTANTE!

El encendido del motor está controlado por un interruptor de dos posiciones montado en el mango del acelerador indicado "I" (encendido o arranque) y "O" (apagado o pare).



### ¡ADVERTENCIA!

Nunca arranque el motor de la posición de funcionamiento.

1. Deslice el interruptor hacia la posición "I" (motor encendido).
2. Posicione la palanca del acelerador en marcha mínima haciendo lo siguiente:
  - a. Deprima y sostenga la palanca del acelerador.
  - b. Apriete y sostenga la palanca del acelerador (hacia el manubrio)
  - c. Deprima y sostenga el botón de la palanca del acelerador.
3. Presione la bombilla de cebado hasta que vea pasar combustible por el tubo de retorno transparente.

### ¡IMPORTANTE!

La bombilla de cebado solamente empuja combustible a través del carburador. Presionando repetidamente la bombilla de cebado no ahogará el motor con combustible.

4. Posicione la palanca del estrangulador en la posición CLOSED (cerrado) si el motor está frío.
5. Mientras sostiene el tubo exterior firmemente con una mano, jale despacio la cuerda del arrancador recular hasta que sienta resistencia, luego jale rápidamente para arrancar el motor.

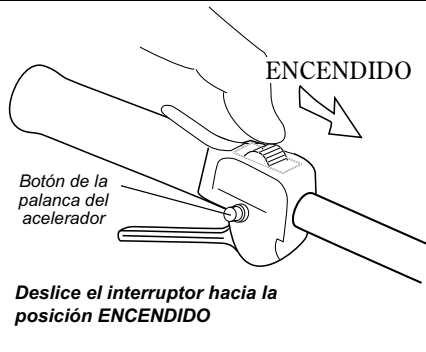
### ¡PRECAUCIÓN!

No jale el arrancador recular hasta el final de la cuerda. De lo contrario, puede dañar el arrancador.



### ¡ADVERTENCIA!

El accesorio de corte puede accionarse cuando encienda el motor!



Deslice el interruptor hacia la posición **ENCENDIDO**

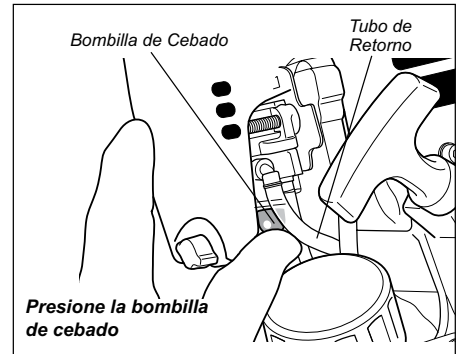


Posicione la palanca del estrangulador en la posición **CLOSED (cerrado)**

6. Cuando arranque el motor, mueva despacio la palanca del estrangulador a la posición "OPEN" (abierto). (Si el motor para después del arranque inicial, cierre la palanca del estrangulador y vuelva arrancar)
7. Operando el acelerador automáticamente desenganchará la marcha mínima.

### ¡IMPORTANTE!

Si el motor falla en arrancar después de varios intentos con la palanca del estrangulador en posición cerrada, puede que el motor esté ahogado con combustible. Consulte "Arranque de un motor ahogado" de este manual.



Presione la bombilla de cebado



Cuando arranque el motor, mueva despacio la palanca del estrangulador a la posición **"OPEN" (abierto)**

## Al arrancar el motor...

- Tras arrancar el motor, deje que se caliente al ralenti durante 2 ó 3 minutos antes de utilizar la unidad.
- Una vez caliente el motor, tome la unidad y sujétela a la correa para los hombros, en caso de que disponga de ella.
- Si se acelera, el accesorio de corte oscilará más rápido; si se decelera, el accesorio reduce la oscilación. Si el accesorio de corte sigue oscilando cuando el motor vuelve al ralenti, debe ajustarse la velocidad de ralenti del carburador (véase "Ajuste del carburador" en esta página).

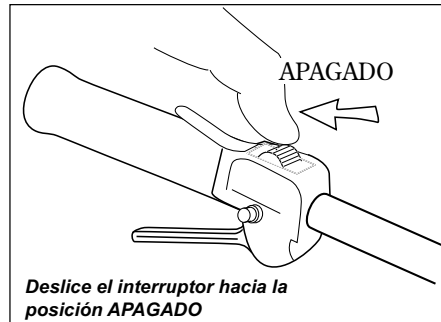
## Arranque del motor (continuación)

### Arranque de un motor ahogado

1. Desconecte el cable de la bujía y utilice la llave de bujías para extraer la bujía (para extraer, gire en sentido contrario a las agujas del reloj).
2. Deslice el interruptor de encendido a la posición "O" (APAGADO).
  - Si la bujía está obstruida o empaçada de combustible, limpie la bujía según sea necesario.
3. Abra el estrangulador y presione a fondo la palanca del acelerador con su mano izquierda, a continuación tire rápidamente del tirador de arranque con su mano derecha para limpiar el exceso de combustible de la cámara de combustión.
4. Vuelva a colocar la bujía y apriétela firmemente con la llave de bujías. Si dispone de una llave dinamométrica, apriete la bujía al valor correcto en la sección "Especificaciones".
5. Repita los procedimientos de arranque para un motor en caliente.
6. Si el motor sigue sin arrancar, consulte la sección de resolución de problemas que se encuentra

### Apagado del motor

Ponga el motor en marcha mínima por dos o tres minutos antes de apagarlo, luego deslice el interruptor de ignición a la posición "O" (motor APAGADO).



### Ajuste velocidad mínima del motor

El motor debe retornar a marcha mínima cuando la palanca del acelerador es liberada. La marcha mínima es ajustable y debe ser suficientemente mínima para permitir que el embrague del motor libere el accesorio de corte.

#### Ajuste de marcha mínima

1. Coloque la unidad en el suelo, luego encienda el motor y déjelo funcionar en marcha mínima durante 2 ó 3 minutos hasta que caliente.
2. Si el accesorio de corte gira mientras el motor está en marcha mínima, reduzca la marcha mínima, girando el tornillo de ajuste de marcha mínima en el sentido contrario a las agujas del reloj.
3. Si tiene un tacómetro disponible, consulte la sección "Especificaciones" para el régimen de giro al ralenti.



#### ¡ADVERTENCIA!

El accesorio de corte NUNCA debe girar en marcha mínima! Si la marcha mínima no puede ser ajustada por el procedimiento descrito aquí, entonces devuelva la unidad a su distribuidor Shindaiwa para inspección.

#### NOTA

Los ajustes de mezcla de carburador son prefijados en la fábrica y no pueden ser cambiados en el campo.

### Verifique la condición de la unidad

NUNCA opere la unidad sin el protector del accesorio de corte o sin equipo de protección.

Use solamente repuestos y accesorios autorizados por Shindaiwa en su podadora Shindaiwa. No haga modificaciones a la unidad sin la aprobación escrita de Shindaiwa Inc.

SIEMPRE cerciórese de que el accesorio de corte esté propiamente instalado y firmemente apretado antes de usar.

NUNCA use un accesorio de corte rajado o doblado, reemplácelo con uno util.

SIEMPRE cerciórese de que el cabezal encaje propiamente dentro del soporte. Si un cabezal propiamente instalado vibra, reemplácelo por uno nuevo y pruebe.

SIEMPRE pare el motor inmediatamente y revise en busca de daños si golpea un objeto extraño o si la unidad se enreda. No opere con equipo dañado o quebrado.

NUNCA permita que el motor funcione a altas revoluciones sin carga. De lo contrario, podría dañar el motor.

NUNCA use la máquina con sujetadores o soportes de accesorios desgastados o dañados.



#### ¡ADVERTENCIA!

El protector del accesorio de corte o equipo de protección no garantiza protección contra rebotes. USTED SIEMPRE DEBE PROTEGERSE DE DESPOJOS VOLANTES!

## Operación

### Correa de Hombro



#### ¡ADVERTENCIA!

Siempre use una correa de hombro cuando opere esta unidad con una cuchilla. Una correa de hombro es también recomendada cuando use cable de nylon.

1. Enganche el gancho de correa a la suspensión sobre el tubo externo.
2. Lleve la correa de hombro de modo que el gancho se quede en su parte derecha.



3. Ajuste la longitud de aprovechar de modo que puedan utilizar el dispositivo con comodidad.

#### ¡IMPORTANTE!

Ajuste la correa de hombro o arnés de tal forma que la almohadilla descansa cómodamente sobre los lados de los hombros y que la trayectoria de corte del accesorio de corte esté paralelo al suelo. Asegure que todo los ganchos y dispositivos de ajuste estén asegurados.

### Corte de Césped – Máquinas Equipadas con Cabezal de Corte

Su unidad Shindaiwa pueda que esté equipada con uno de varios modelos de cabezales de corte de Shindaiwa, cada uno con características para aplicaciones específicas y/o requisitos operacionales.

#### NOTE:

Herramientas adicionales pueden ser requeridas para montar los cabezales de Línea Fija o de cuchillas flotantes.

#### NOTA:

Para la operación adecuada, consulte siempre las instrucciones incluidas en el cabezal de corte.

#### Velocidades de Operación del Motor

Opere la máquina a aceleración máxima cuando corte césped

#### ¡PRECAUCIÓN!

Operación a bajas revoluciones por minuto puede conducir a la falla prematura del embrague.



#### Modelos de cabezales de corte:

**Semi-Automático:** La línea de corte es indexada cuando el operario toca el suelo con el cabezal de corte durante el uso.

**Manual:** El operario mide manualmente la línea con la recortadora de césped completamente detenida.

**Fijo:** El operario debe apagar el motor y añadir manualmente nuevos largos de línea de corte.

**Cuchilla Flotante:** Este dispositivo, diseñado para cortar mala hierba o maleza ligera, incluye tres cuchillas de nylon atornilladas al cabezal a través de pivotes.

#### Recorte y Podado de Césped

Sostenga la podadora de tal forma que el cabezal esté en ángulo al área de corte. Para obtener máxima vida útil del cable de nylon, corte solamente con la punta del cable. Corte césped moviendo el cabezal de izquierda a derecha. Mantenga el cabezal horizontalmente.

#### ¡PRECAUCIÓN!

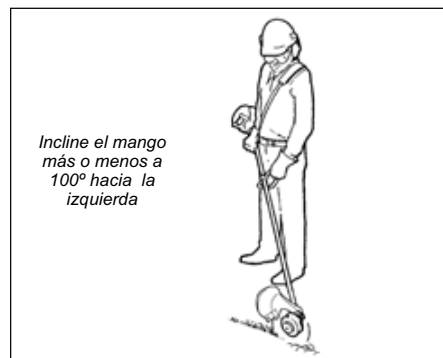
No presione el cable de nylon contra árboles, cercas de alambre o cualquier otro material que pueda atascar o romper el cable.

#### ¡PRECAUCIÓN!

- La operación de la podadora sin la unidad protectora de corte o usar una línea de corte muy larga puede causar la falla prematura del embrague..
- Operación a bajas revoluciones puede conducir a la falla prematura del embrague.

#### Bordes

Incline el mango más o menos a 100° hacia la izquierda (desde la posición horizontal) y avance hacia adelante, sosteniendo la podadora verticalmente como se demuestra en la ilustración.



## Operación (continuación)

### Usando un Disco



#### ¡ADVERTENCIA!

- Antes de trabajar con una unidad equipada con un disco, siempre inspeccione y limpie los objetos en el área que puedan interferir o dañar el disco.
- NUNCA use un disco cerca de veredas, cercas, edificios u otros objetos que puedan causar lesiones o daños.
- NUNCA use un disco para ningún otro propósito aparte del cual ha sido diseñado.
- Cuando golpee un objeto sólido con un disco, siempre pare el motor y cuidadosamente inspeccione el disco en busca de daños. **NUNCA OPERE LA DESMALEZADORA CON UN DISCO DAÑADO !**
- Una unidad equipada con un disco debe estar equipada con un mango tipo bicicleta, así también como con un árnes o correa.
- SIEMPRE cerciore que el protector del accesorio de corte esté propiamente instalado antes de operar la unidad.

### Correa de hombro para desmalezadora

La correa de hombro ofrece protección adicional contra los rebotes de la cuchilla. Adicionalmente, brinda un gran soporte y comodidad para una operación segura y eficiente. Cuando use una unidad con cuchilla, cerciorese que el mango y la correa de hombro estén ajustados a la talla del operador que usa la unidad.

### Velocidades de operación del motor

Opere el motor a máxima potencia mientras corte. Para mayor eficiencia de combustible, suelte el acelerador cuando volte de regreso después de un corte.

- Para evitar posibles daños al motor, no permita que la desmalezadora funcione a altas velocidades sin carga.
- Evite operar el accesorio a velocidades bajas. De lo contrario, puede conducir a un desgaste rápido del embrague. Adicionalmente, la operación a baja velocidad tiende a hacer que el cabezal de corte se enrede con césped y despojos.

### Rebote de disco

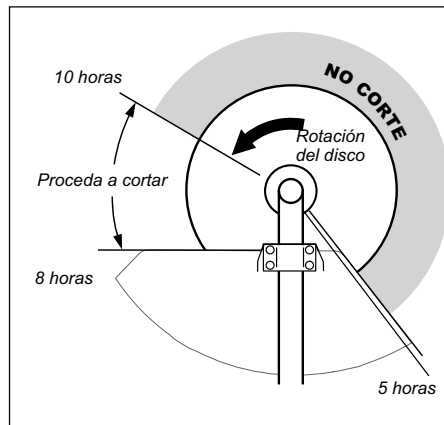
El rebote de disco es un movimiento repentino de lado a lado o hacia atrás de la desmalezadora. Tal movimiento puede ocurrir cuando el disco se enreda o coje un objeto tal como ramas o troncos de árbol. **ESTE CONSTANTEMENTE ALERTA DEL REBOTE DE DISCO Y PROTEJASE CONTRA SUS EFECTOS !**

### Mango tipo bicicleta para desmalezadora

El mango tipo bicicleta para desmalezadora ayuda a prevenir que el operario se mueva hacia adelante o que la unidad se mueva hacia atrás, impidiendo así el contacto del cuerpo con el accesorio de corte. **SIEMPRE MANTENGA EL MANGO ASEGURADO EN SU SITIO EN LA UNIDAD !**

### Usando un Disco

El disco gira en dirección contraria a las agujas del reloj. Para máximo rendimiento, mueva el disco de derecha a izquierda mientras avanza en su trabajo. Ubique el disco de tal manera que los cortes se realicen entre las 8 horas y las 10 horas. (agujas de un reloj). **NO CORTE** entre las 10 horas y 5 horas.



#### ¡ADVERTENCIA!

Al efectuar cortes verticales, nunca permita que el disco sobrepase la altura de su cintura.



#### ¡ADVERTENCIA!

Quando corte madera con un disco, presione el disco lentamente. *Nunca golpee o choque un disco en rotación contra la madera.*



#### ¡ADVERTENCIA!

No use discos de corte de 2 dientes o discos de corte de 4 dientes no aprobados por Shindaiwa en su desmalezadora o podadora Shindaiwa.

### Cortes verticales

Sostenga la desmalezadora con el disco a un ángulo de 90 grados con respecto al suelo, de forma que el borde inferior del disco gire hacia el operario. Mueva el disco de arriba para abajo a través del corte, y corte solamente con el borde inferior del disco.





# Mantenimiento

## Mantenimiento General

### ¡IMPORTANTE!

EL MANTENIMIENTO, REEMPLAZO O REPARACION DE LOS SISTEMAS Y DISPOSITIVOS DE CONTROL DE EMISION PUEDEN SER EFECTUADOS POR CUALQUIER ESTABLECIMIENTO O INDIVIDUO; SIN EMBARGO, LAS REPARACIONES DE GARANTIA DEBEN SER EFECTUADAS POR SU CENTRO DE SERVICIO O DISTRIBUIDOR AUTORIZADO POR Shindaiwa INC. EL USO DE PARTES QUE NO SON EQUIVALENTES EN RENDIMIENTO Y DURABILIDAD A LAS PARTES AUTORIZADAS PUEDEN AFECTAR LA EFECTIVIDAD DE SU SISTEMA DE CONTROL DE EMISION Y PUEDE INFLUENCIAR EL RESULTADO DE SU RECLAMO DE GARANTIA.



### ¡ADVERTENCIA!

Los repuestos no estándar puedan que no operen propiamente con su máquina y pueden causar daño y conducir a una lesión personal.

## Silenciador

Esta máquina nunca debe ser operada con un guardachispas o silenciador defectuoso o faltante. Cerciórese de que el silenciador esté bien asegurado y en buena condición. Un silenciador usado o dañado es un riesgo de incendio y puede causar la pérdida de audición.

### NOTA:

El usar repuestos no estándar podría invalidar su garantía Shindaiwa.

## Mantenimiento Diario

- Retire la suciedad y los residuos del exterior del motor, las aletas del cilindro y las entradas de aire del sistema de enfriamiento.
- Limpie toda la suciedad y los residuos del accesorio del corte.
- Inspeccione la sierra para detectar pérdidas de combustible o aceite.
- Revise que no falten tornillos y que no estén flojos. Cerciórese de que el accesorio de corte esté firmemente asegurado.
- Cerciórese de que las tuercas, pernos y tornillos (a excepción de los tornillos de ajuste del carburador) estén apretados.
- Cuidadosamente, retire cualquier acumulación de suciedad o despojo del silenciador y del tanque de combustible. La acumulación de suciedad



### ¡ADVERTENCIA!

Antes de efectuar mantenimiento, reparación o limpieza de la máquina, cerciórese de que el motor y el accesorio de corte estén completamente detenidos. Desconecte el cable de bujía antes de efectuar servicio de mantenimiento.

## Bujía

Mantenga la bujía y las conexiones de cable apretadas y limpias.

## Sujetadores

Cerciórese de que las tuercas, pernos y tornillos (a excepción de los tornillos de ajuste del carburador) estén apretados.

## Filtro de aire

El motor C4 que propulsa su modelo Shindaiwa es un motor híbrido de 4 tiempos. Como motor híbrido, se lubrica mediante el aceite mezclado en la gasolina y con el aire del carburador que circula a través y alrededor de las piezas internas del motor, de forma similar a la lubricación de un motor de 2 tiempos. Sin el filtro de aire de dos etapas y altas prestaciones instalado en todos los motores C4, también podrían circular por el motor el polvo y la suciedad aspirados, acortando la vida útil del motor y aumentando el desgaste de las válvulas, lo que exigiría un reajuste más frecuente de éstas. Para que el motor C4 conserve su potencia y fiabilidad, Shindaiwa recomienda comprobar y realizar el mantenimiento del filtro de aire según lo indicado en la sección de Mantenimiento cada 10 horas de servicio.

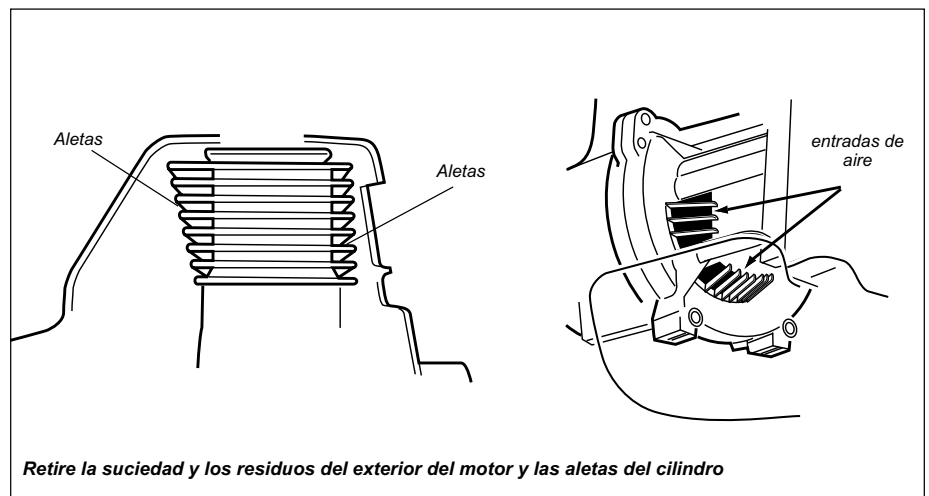
## Cuchillas

Mantenga los discos afilados y revise la condición del disco frecuentemente. Si el rendimiento de un disco cambia repentinamente, pare el motor y revise el disco en busca de rajaduras u otro daño. Reemplace el disco dañado INMEDIATAMENTE!



### ¡ADVERTENCIA!

- Nunca repare un disco dañado soldándolo, enderezándolo o modificando su forma. Una vez alterado, podría quebrarse en plena operación y ocasionar lesiones personales serias.
- No use discos de corte de 2 dientes o discos de corte de 4 dientes no aprobados por Shindaiwa en su desmalezadora o podadora Shindaiwa.
- Los discos de corte no son intercambiables entre las bordeadoras o desmalezadoras. El uso de cualquiera unidad con discos o accesorios no aprobados para la respectiva unidad pueden ser peligrosos y ocasionar lesiones graves.



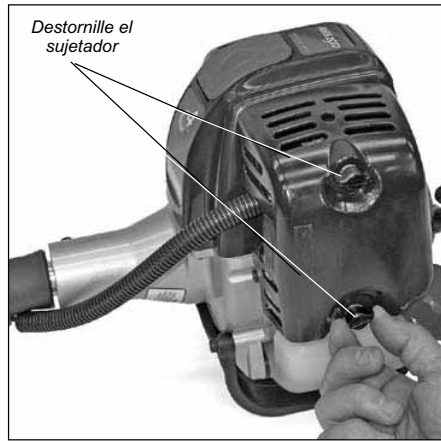
en dichas áreas puede ocasionar el sobrecalentamiento del motor, inducir el gasto prematuro o crear un riesgo de incendio.

## Mantenimiento (continuación)

### Mantenimiento cada 10 horas

(Más frecuentemente en condiciones rigurosas)

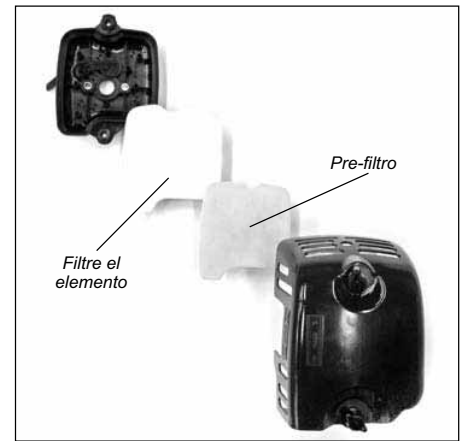
1. Extraiga la cubierta del limpiador de aire aflojando los dos tornillos de mano.
2. Inspeccione el elemento del filtro de aire. Si el elemento está dañado o deformado rémplacelo por uno nuevo.
3. Limpie el prefiltro con agua y jabón. Déjelo secar antes de volver a instalarlo.
4. Revise el elemento del limpiador de aire. Si está deformado o dañado, rémplacelo por uno nuevo.
5. Golpee al filtro suavemente sobre una superficie dura para sacar la suciedad del elemento o use aire comprimido desde el interior para soplar la suciedad hacia afuera del elemento del filtro de aire.
6. Instale el elemento del filtro, prefiltro



y cubierta en el orden inverso en que los sacó.

#### ¡IMPORTANTE!

Dirija la corriente de aire sólo hacia la cara interior del filtro.



#### ¡PRECAUCIÓN!

Nunca opere el soplador si el limpiador de aire está dañado o falta.

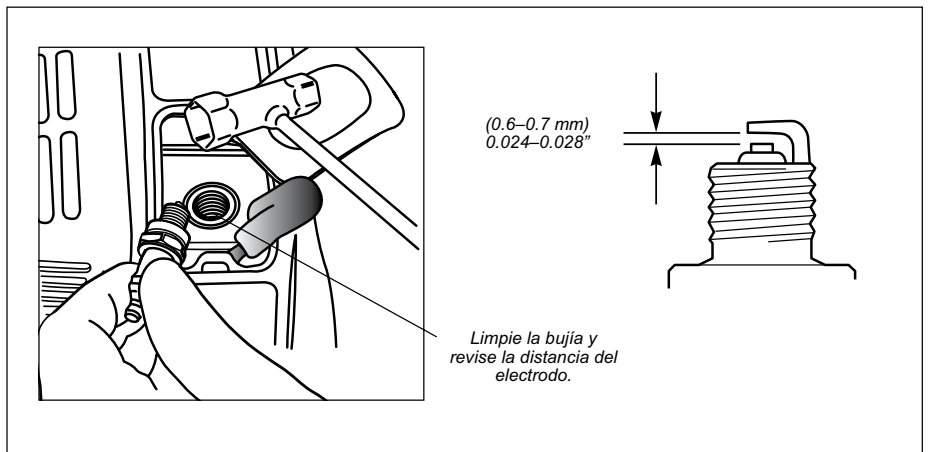
### Mantenimiento cada 10/15 horas

#### Retire y limpie la bujía.

Limpie y vuelva a calibrar la bujía. Consulte la sección "Especificaciones" para la correcta separación del electrodo de la bujía.

#### ¡PRECAUCIÓN!

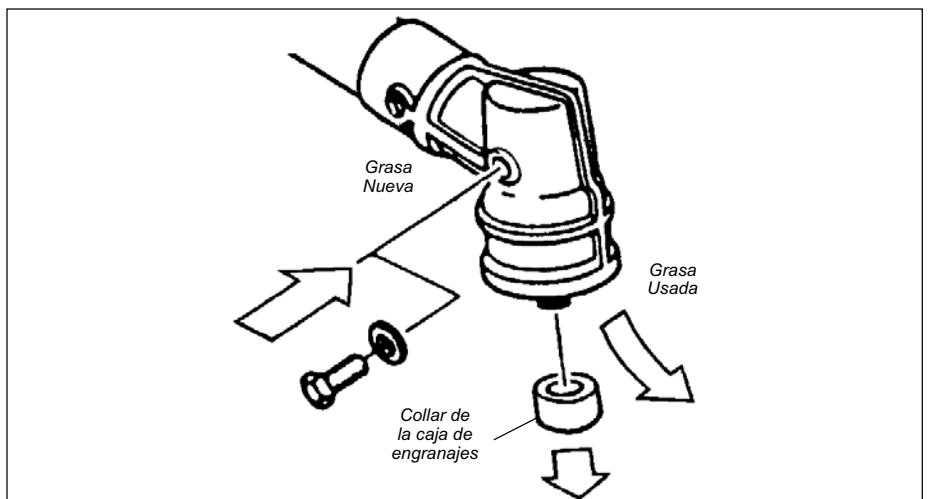
Antes de retirar la bujía, limpie alrededor de la misma para evitar que entre polvo o suciedad a las partes internas del motor.



### Mantenimiento cada 50 horas

**Cada 50 horas de operación** (más frecuentemente bajo condiciones sucias o polvorientas):

- Retire y limpie la tapa del cilindro y limpie la maleza y la suciedad en las aletas del cilindro.
- Retire el accesorio de corte, el soporte del accesorio de corte y el collar de la caja de engranajes. Retire la tuerca del alimentador del costado de la caja de engranajes e introduzca grasa nueva a la caja hasta que la grasa usada salga. Use solamente grasa a base de litio, tal como grasa Shindaiwa para Caja de Engranajes o su equivalente.
- Lubrique las estrias del eje principal.



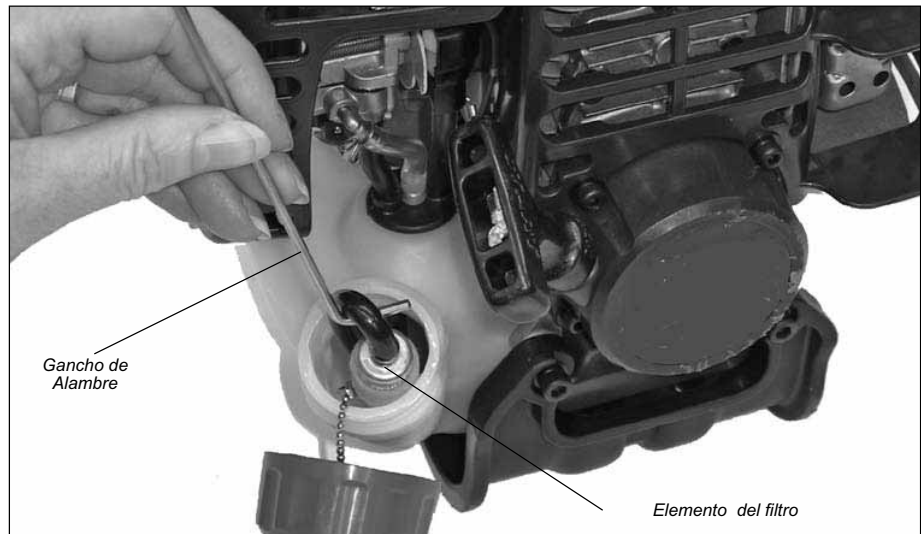
## Mantenimiento (continuación)

### Mantenimiento cada 50 horas

Retire y reemplace el elemento del filtro.

- Utilice un gancho de alambre para extraer el filtro de combustible del interior del depósito de combustible. Si muestra signos de contaminación, sustituir por una verdadera sustitución Shindaiwa elemento de filtro de combustible.

Antes de reinstalar el filtro, inspeccione la condición de todo los componentes del sistema de combustible (manguera de alimentación, manguera del ventilador, ventilador, tapa y tanque). Si descubre daños, quebraduras o deterioración, retire la unidad de operación hasta que pueda ser inspeccionada o reparada por un técnico de servicio entrenado por Shindaiwa.



### Mantenimiento Cada 139/150 Horas

**Mantenimiento después de las primeras 139-horas. Después del primer mantenimiento, mantenga cada 150-horas.**

- La cámara de combustión debe de ser descarbonizada y la separación de la válvula ajustada. Es recomendable que esto sea hecho por uno técnico entrenado por Shindaiwa.

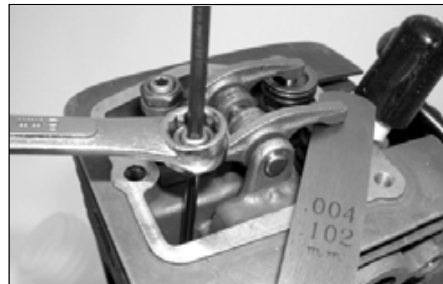
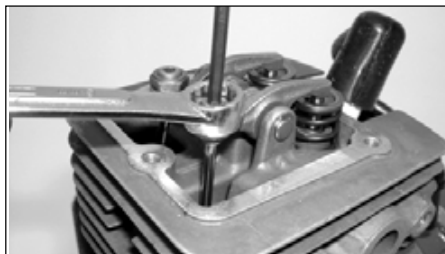
- Reemplace la bujía anualmente: Consulte la sección "Especificaciones" para la correcta separación del electrodo de la bujía.

### Ajuste de válvulas

1. Retire la tapa del cilindro, la tapa de balancines y la bujía. Gire el cigüeñal y observe el pistón a través del orificio de la bujía. El ajuste de las válvulas debe efectuarse cuando el pistón se encuentra en el punto muerto superior (PMS) de la fase de compresión.

#### ¡PRECAUCIÓN!

- Un ajuste incorrecto de las válvulas puede dificultar el arranque del motor, e incluso dañarlo.
- Si no está familiarizado con este motor o prefiere no ejecutar este procedimiento, consulte a un servicio autorizado de Shindaiwa.



2. Afloje la contratuerca del ajustador para que el tornillo de ajuste Allen hembra de 2,5 mm pueda girar libremente.
3. Introduzca una galga de 0,10 mm entre el extremo del vástago de la válvula y el balancín.
4. Gire el tornillo de ajuste (hacia la derecha = apretar, hacia la izquierda = aflojar) hasta que la galga quede casi aprisionada. Retroceda lo justo para permitir que la galga se deslice con cierta resistencia.
5. Mientras mantiene inmobilizado el tornillo de ajuste con la llave Allen, apriete la contratuerca con una llave fija.



6. Haga girar el motor varias veces y regrese al punto muerto superior de compresión. Verifique nuevamente el juego con la galga apropiada para cerciorarse de que no ha cambiado como resultado de apretar la contratuerca. Reajuste si fuese necesario.
7. Vuelva a colocar la junta de la tapa de balancines para garantizar un sellado correcto e instale la tapa.

#### IMPORTANTE

Si no dispone de una junta nueva, puede volver a utilizar la antigua siempre que no esté dañada. Nunca utilice juntas agrietadas o dañadas.



## Mantenimiento (continuación)

### Mantenimiento de la silenciador

Si el motor se pone peroso o tiene baja potencia, revise y limpie la maya del guardachispas.



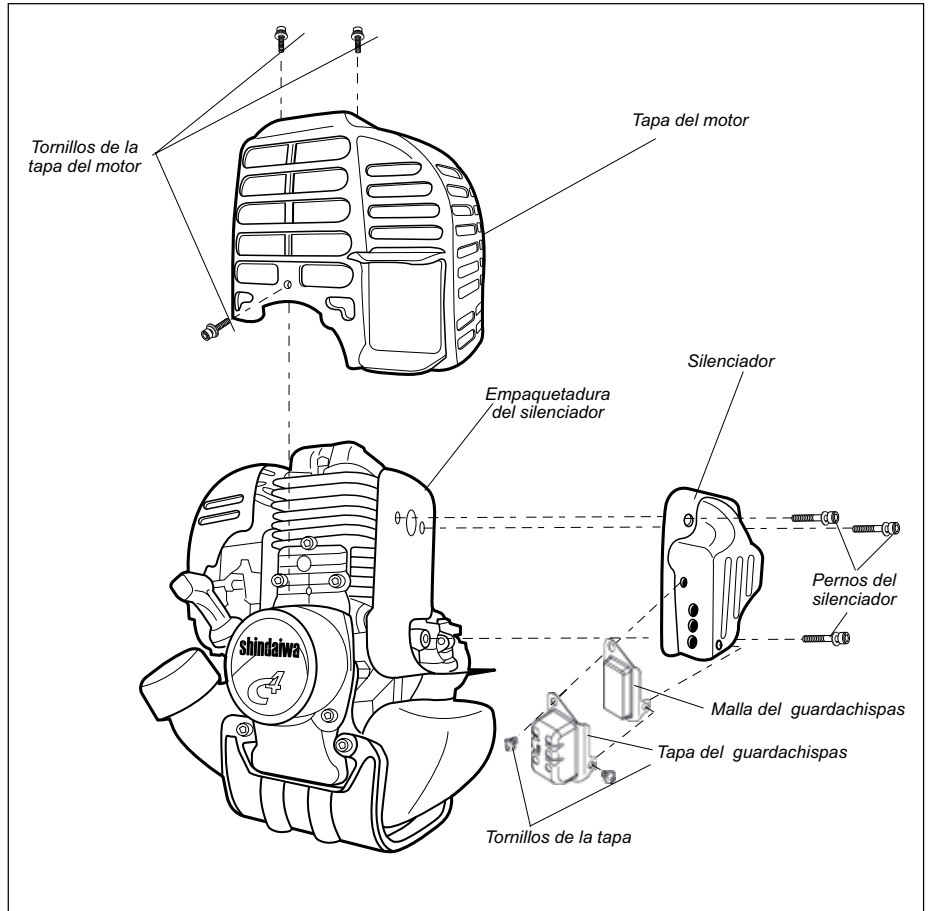
#### ¡ADVERTENCIA!

Nunca opere la máquina con un silenciador o guardachispas dañado o faltante! De lo contrario, puede ser un riesgo de incendio y podría también causar daños a sus oídos.

1. Con una llave hexagonal de 3 mm retire los 3 tornillos de la tapa del motor y la tapa del motor.
2. Con una llave hexagonal de 3 mm retire los pernos del silenciador y el silenciador.
3. Con un destornillador de cuchilla plana retire los 2 tornillos sosteniendo la maya guardachispas y la tapa del silenciador.
4. Retire la malla y limpie con un cepillo de cerdas gruesas.
5. Inspeccione el escape del cilindro en busca de acumulación de carbón.
6. Vuelva a ensamblar el guardachispas, el silenciador y la tapa del motor en forma reversa al orden de desensamblaje.

#### ¡IMPORTANTE!

Si nota acumulación excesiva de carbón, consulte con su centro de servicio autorizado C4 Shindaiwa.



### Almacenamiento de Largo Plazo

Cada vez que la máquina no va a ser usada por 30 días o más, siga los siguientes procedimientos para preparar su almacenamiento:

- Limpie las partes externas y aplique una capa ligera de aceite a todas las superficies metálicas.

#### ¡IMPORTANTE!

Todo combustible almacenado debe estar estabilizado con un estabilizador de combustible tal como STA-BIL™.

#### ¡PRECAUCIÓN!

Gasolina almacenada en el carburador por períodos largos puede causar un arranque duro y puede conducir a un aumento en costo de servicio y mantenimiento.

- Drene todo combustible en el tanque.
- Retire el resto del combustible en las tuberías de combustible y carburador.
  1. Empuje la bombilla de cebado hasta que el combustible deje de pasar.
  2. Arranque y mantenga prendido el motor hasta que pare de funcionar.
  3. Repita los pasos 1 y 2 hasta que el motor ya no arranque.
- Retire la bujía y vierta aproximadamente 7 mL (.25 oz.) de aceite de mezcla para motores de 2 tiempos en el cilindro a través del agujero de la bujía. Lentamente jale el arrancador 2 ó 3 veces para que el aceite se aplique uniformemente en el interior del motor. Reinstale la bujía.
- Antes de almacenar la máquina, repare o cambie cualquier pieza dañada o gastada.
- Retire el elemento del filtro de aire y límpielo minuciosamente con agua y jabón. Deje que seque y vuelva a ensamblar el elemento.
- Almacene la máquina en un sitio limpio y libre de polvo.

## Mantenimiento (continuación)

### Afilado de Discos



#### ¡ADVERTENCIA!

Utilice guantes protectores para manipular la cuchilla o efectuar su mantenimiento.

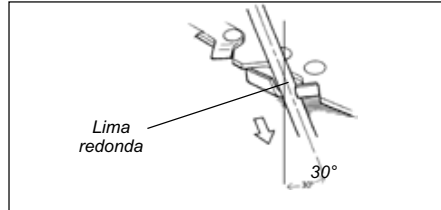
Cuando los bordes de la cuchilla pierdan su filo, pueden ser afilados rápidamente con una lima.

Para mantener la cuchilla balanceada, todos los bordes deben ser afilados uniformemente.



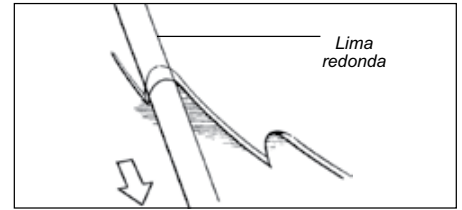
#### ¡ADVERTENCIA!

Afile solamente los dientes de cortar. NO altere de ninguna forma el contorno del disco.



#### Disco Shindaiwa Tornado™

Para afilar los dientes de corte de un disco shindaiwa Tornado™, use una lima redonda de 7/32 pulgadas. Afile el borde líder de cada diente hasta obtener un filo similar al de una hoja de afeitarse. La superficie superior de cada diente debe tener una inclinación de 30 grados.



#### Discos de dientes múltiples

Use una lima redonda para mantener un radio de 1 a 1.5mm (0.04 a 0.06 pulgadas) en la base de cada diente. Los dientes deben quedar igualmente descentrados por cada lado.

Qué revisar	Possible causa	Remedio
<p>¿Arranca el motor?</p> <p>SÍ ↓</p>	<p>NO → Arrancador autorretráctil defectuoso. Líquido en el cárter. Daños internos.</p>	<p>Consulte a un agente de servicio de autorizado.</p>
<p>¿Hay buena compresión?</p> <p>SÍ ↓</p>	<p>NO → Bujía suelta. Desgaste excesivo en el cilindro, el pistón o los anillos.</p>	<p>Apriete y pruebe otra vez. Consulte con un agente de servicio autorizado. Consulte a un agente de servicio de autorizado.</p>
<p>¿Contiene el tanque combustible fresco y con el octanaje correcto?</p> <p>SÍ ↓</p>	<p>NO → Combustible incorrecto, viejo o contaminado; mezcla incorrecta.</p>	<p>Rellene con gasolina sin plomo, reciente y limpia con un octanaje de 87 o superior, mezclada con aceite premium para motores de dos tiempos en una proporción gasolina/aceite de 50:1.</p>
<p>¿Puede verse combustible moviéndose en la línea de retorno al cebar?</p> <p>SÍ ↓</p>	<p>NO → Revise el filtro de combustible y el ventilador en busca de obstrucciones.</p>	<p>Reemplace el filtro de combustible o la válvula de presión según sea necesario. Vuelva a arrancar.</p>
<p>¿Hay chispas en el terminal del cable de la bujía?</p> <p>SÍ ↓</p>	<p>NO → El interruptor de encendido está en posición de apagado "O". Conexión a tierra defectuosa. Unidad de encendido defectuosa.</p>	<p>Lleve el interruptor a la posición de encendido "I" y reinicie. Consulte a un agente de servicio de autorizado.</p>
<p>Compruebe la bujía.</p>	<p>Si la bujía está húmeda, puede haber exceso de combustible en el cilindro. La bujía está obstruida o tiene una separación de electrodos incorrecta. La bujía puede tener daños internos o es del tamaño equivocado.</p>	<p>Retire la bujía y arranque el motor, vuelva a colocar la bujía y arranque de nuevo. Limpie y vuelva a calibrar la bujía. Consulte la sección "Especificaciones" para la correcta separación del electrodo de la bujía. Vuelva a arrancar. Reemplace la bujía. Consulte la sección "Especificaciones" para la bujía correcta. Vuelva a arrancar.</p>

## BAJA POTENCIA

### Qué revisar

### Posible causa

### Remedio

<p><b>¿Se sobrecalienta el motor?</b></p>	<p>Unidad sobrecargada por el usuario.</p> <p>La mezcla del carburador es muy pobre.</p> <p>Proporción de combustible inapropiada.</p> <p>Ventilador, tapa del ventilador o aletas del cilindro sucios o dañados.</p>	<p>Corte más espacio.</p> <p>Consulte con un agente de servicio autorizado.</p> <p>Rellene con gasolina sin plomo, reciente y limpia con un octanaje de 87 o superior, mezclada con aceite premium para motores de dos tiempos en una proporción gasolina/aceite de 50:1.</p> <p>Limpiar, reparar o sustituir en caso necesario.</p>
<p><b>El motor funciona bruscamente a cualquier velocidad. También puede que salga humo negro o combustible no quemado por el escape.</b></p>	<p>Depósitos de carbonilla en el pistón o el silenciador.</p> <p>Filtro de aire obstruido.</p> <p>Bujía suelta o dañada.</p> <p>Fuga de aire o conducto de combustible obstruido.</p> <p>Agua en el combustible.</p> <p>Pistón gripado.</p> <p>Carburador y/o diafragma defectuoso.</p>	<p>Consulte con un agente de servicio autorizado.</p> <p>Limpie o reemplace el filtro de aire.</p> <p>Apriete o cambie la bujía. Consulte la sección "Especificaciones" para la bujía correcta. Vuelva a arrancar.</p> <p>Repare o cambie el filtro o el conducto de combustible.</p> <p>Vuelva a llenar de mezcla reciente de combustible y aceite.</p> <p>Consulte con un agente de servicio autorizado</p>
<p><b>El motor golpea.</b></p>	<p>Sobrecalentamiento.</p> <p>Combustible inadecuado.</p> <p>Depósitos de carbonilla en la cámara de combustión.</p>	<p>Consulte con un agente de servicio autorizado</p> <p>Revise el índice de octanaje del combustible; revise si el combustible contiene alcohol. Reposte cuando sea necesario.</p> <p>Consulte con un agente de servicio autorizado.</p>
<p><b>La parte superior del motor se está ensuciando y engrasando.</b></p>	<p>La tapa de la valvula está goteando.</p>	<p>Consulte con un agente de servicio autorizado.</p>

Qué revisar	Posible causa	Remedio
Deficiente aceleración.	Filtro de aire obstruido. Filtro de combustible obstruido. Mezcla de combustible/aire muy pobre. Ralentí ajustado muy bajo.	Limpie o reemplace el filtro de aire. Cambie el filtro de combustible. Consulte con un agente de servicio autorizado. Consulte la sección "Especificaciones" para el régimen de giro al ralentí .
El motor se detiene abruptamente.	Tanque de combustible vacío. Filtro de combustible obstruido. Agua en el combustible. Bujía defectuosa o terminal flojo. Fallo en el sistema de encendido. Pistón gripado	Reposte combustible. Consulte la sección "Llenando el Tanque de Combustible". Cambie el filtro de combustible. Drene; cambie con combustible limpio. Consulte la sección "Llenando el Tanque de Combustible". Limpie o reemplace la bujía. Consulte la sección "Especificaciones" para la bujía correcta. Apriete el terminal. . Reemplace el sistema de encendido. Consulte con un agente de servicio autorizado.
La cubierta de motor se ensucia y se hace aceitosa.	La cubierta de válvula se escapa.	Consulte con un agente de servicio autorizado.
Difícil apagado del motor.	Cable de conexión a tierra (detenido) desconectado o llave defectuosa. Sobrecalentamiento debido a bujía incorrecta. Motor sobrecalentado.	Pruebe y reemplace según sea necesario. Reemplace la bujía. Consulte la sección "Especificaciones" para la bujía correcta. Deje el motor al ralentí hasta que se enfríe.
Excesiva vibración.	Soporte del accesorio suelto. Accesorio torcido o dañado. Caja de engranajes suelta. Eje central doblado, cojinetes desgastados o dañados.	Inspeccione y vuelva a apretar los soportes con firmeza. Examine y cambie el accesorio según sea necesario. Apriete la caja de engranajes con firmeza. Examine y cambie según sea necesario.
El accesorio no gira.	Eje no instalado en el bloque motor o la caja de engranajes. Eje roto. Caja de engranajes dañada.	Examine y vuelva a instalar según sea necesario. Consulte con un agente de servicio autorizado.
El accesorio de corte se mueve al ralentí del motor.	Ralentí demasiado alto. Resorte del embrague roto o resalte desgastado.	Consulte la sección "Especificaciones" para el régimen de giro al ralentí . Reemplace muelle/zapatitas según sea necesario; compruebe el ralentí.

# Declaración de Garantía del Sistema de Emisión

## Sus Derechos y Obligaciones de Garantía

La Junta de Recursos de Aire de California, La Agencia de Protección del Ambiente Estadounidense y la Corporación Shindaiwa se complacen en explicar la garantía del sistema de control del escape y evaporación de emisiones de su nuevo motor pequeño (no para el uso en automóviles).

En California, los motores pequeños (no para el uso en automóviles) están diseñados, contruidos y equipados para cumplir con las normas exigentes de anti-contaminantes del Estado de California. En otros estados, los motores nuevos (no para el uso en automóviles) de 1997 para adelante deben cumplir las normas federales exigentes de la EPA de anti-contaminantes. La Corporación Shindaiwa debe garantizar el sistema de control de emisión de su motor pequeño (no para el uso en automóviles) durante los períodos mencionados abajo, asumiendo que no haya habido abuso, negligencia o mantenimiento impropio en su motor pequeño (no para el uso en automóviles).

Su sistema de control de escape y evaporación de emisiones incluye partes, tal como el carburador, tanque de combustible, el sistema de encendido, y, si está equipado, el convertidor catalítico. Estos componentes están mencionados específicamente abajo.

Cuando exista una condición bajo garantía, la Corporación Shindaiwa reparará su pequeño motor (no para el uso en automóviles) sin costo alguno para usted incluyendo el diagnóstico, repuestos y mano de obra.

## Cobertura de la Garantía del Fabricante

Cuando sea vendido en los Estados Unidos, el sistema de control de emisión de este motor está garantizado por un periodo de dos (2) años desde la fecha en que el producto es entregado por primera vez al comprador minorista original.

Durante el periodo de la garantía, la Corporación Shindaiwa reparará o cambiará, a su discreción, cualquier componente defectuoso relacionado con el sistema de emisión del motor. Durante el periodo original de la garantía, estos derechos de garantía son automáticamente transferibles a propietarios subsiguientes de este producto.

## Que Está Cubierto Por Esta Garantía

1. Los componentes internos del carburador.
  - La válvula de aceleración, la aguja, pistón, diafragma medidor.
2. Tanque de combustible
3. Los componentes del sistema de encendido.
  - Rosca del arrancador.
  - Rotor del volante.
4. Convertidor catalítico (si está originalmente equipado).

El sistema de control de emisión de su motor Shindaiwa puede también incluir ciertas mangueras y conexiones particulares.

## Responsabilidades de Garantía del Propietario

Como propietario del motor pequeño (no para el uso en automóviles), es usted responsable por el rendimiento del mantenimiento requerido y mencionado en este manual del propietario. La Corporación Shindaiwa recomienda que guarde todo los recibos que demuestren el mantenimiento de su motor pequeño (no para el uso en automóviles), pero la Corporación Shindaiwa no puede negar la garantía solamente por la falta de recibos o por no llevar a cabo los mantenimientos programados.

Como propietario del motor pequeño (no para el uso en automóviles), debe saber que la Corporación Shindaiwa puede negarle la cobertura de garantía si su motor o sus partes han fallado debido a abuso, negligencia, mantenimiento impropio, o modificaciones no autorizadas.

Usted es responsable de presentar su pequeño motor (no para el uso en automóviles) a un centro de servicio Shindaiwa autorizado tan pronto como se presente un problema. Las reparaciones bajo garantía deben ser completadas en un tiempo razonable que no exceda 30 días.

Si tiene alguna pregunta con respecto a sus derechos y responsabilidades de garantía, usted debe contactar a un representante del servicio al cliente de Shindaiwa al (503) 692-3070 o a su centro local de servicio Shindaiwa.

## Daños Consiguientes

En el evento de que alguna otra parte de los componentes de este producto estén dañados debido a la falla de alguna parte bajo la garantía, la Corporación Shindaiwa, reparará o cambiará tales partes sin costo alguno para usted.

## Que No Está Cubierto

- Fallas causadas por abuso, negligencia, o mantenimiento impropio.
- Fallas causadas por el uso de piezas o accesorios modificados o no autorizados.

## Esta garantía es administrada por:

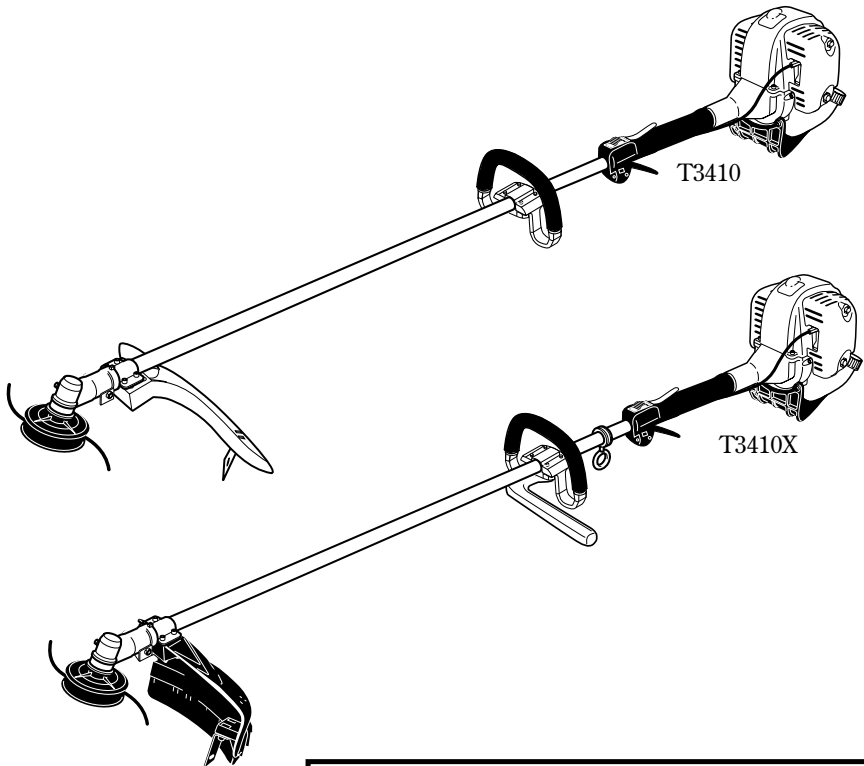
Shindaiwa Inc.  
11975 SW Herman Rd  
Tualatin, OR 97062  
Teléfono: 503 692 3070





**MANUEL D'UTILISATION SHINDAIWA**

# **COUPE-BORDURE T3410/EVC T3410X/EVC**



**AVERTISSEMENT !**

Limiter tout risque de blessures, sur soi-même ou sur les autres ! Lire le présent manuel et se familiariser avec son contenu. Toujours porter un dispositif de protection des yeux et des oreilles pendant l'utilisation de l'appareil.

**shindaiwa®**

Numéro de référence 89301 Rév. 06/2009

## Introduction

La série d'équipement motorisé à main de Shindaiwa C4 a été conçue et fabriquée dans le but d'offrir des performances et une fiabilité supérieures sans compromettre la qualité, le confort, la sécurité ou la durabilité. Les moteurs Shindaiwa sont à la fine pointe de la technologie des moteurs à quatre temps utilisables dans toutes les positions et offrent un rendement exceptionnel, avec une cylindrée remarquablement basse et une conception des plus légères. Comme propriétaire ou utilisateur, vous comprendrez vite pourquoi Shindaiwa est tout simplement une classe en soi !

### IMPORTANT!

Les renseignements contenus dans le présent manuel d'utilisation décrivent les appareils disponibles au moment de la fabrication.

Shindaiwa Inc. se réserve le droit d'apporter des modifications au produit sans préavis et se dégage de toute obligation d'apporter des modifications aux appareils déjà fabriqués.



### AVERTISSEMENT !

Les gaz d'échappement du moteur de cet appareil contiennent des produits chimiques reconnus, dans l'état de Californie, comme susceptibles de provoquer le cancer, des anomalies congénitales et d'autres troubles de la reproduction.

## Table des matières

	PAGE		PAGE		PAGE
Mesures de sécurité .....	3	Remplissage du réservoir à carburant...	10	Fonctionnement .....	13
Nomenclature .....	5	Démarrage du moteur .....	11	Entretien .....	15
Caractéristiques techniques .....	5	Arrêt du moteur .....	12	Remisage à long terme .....	19
Assemblage et réglage .....	6	Réglage du ralenti du moteur .....	12	Guide de dépannage .....	20
Mélange de carburant .....	10	Contrôle de l'état de l'appareil .....	12	Déclaration de garantie .....	23

### IMPORTANT!

Les procédures d'utilisation décrites dans ce manuel visent à vous aider à tirer le maximum de votre appareil et à vous protéger (vous-mêmes et les autres) contre les blessures. Ces procédures constituent uniquement des consignes de sécurité couvrant la plupart des conditions d'utilisation, et ne remplacent en aucun cas les autres mesures de sécurité et lois en vigueur dans votre région. Pour toute question sur votre équipement motorisé à main Shindaiwa série C4 ou pour toute clarification sur les renseignements contenus dans le présent manuel, votre vendeur Shindaiwa se fera un plaisir de vous aider. Pour toute information complémentaire, vous pouvez également contacter Shindaiwa, Inc. à l'adresse imprimée au verso du manuel.

## Mises en garde

Des « mises en garde » spéciales apparaissent tout au long du manuel.



### DANGER !

Un énoncé précédé du symbole triangulaire et du mot « DANGER » indique une situation réellement dangereuse qui, si elle n'est pas évitée, entraînera certainement des blessures graves, voire mortelles !



### AVERTISSEMENT !

Un énoncé précédé du symbole triangulaire de mise en garde et du mot « AVERTISSEMENT » contient des informations à prendre en compte pour éviter des blessures graves.

### IMPORTANT!

Un énoncé précédé du mot « IMPORTANT » contient des informations d'une importance particulière.

### MISE EN GARDE !

Un énoncé précédé de la mention « MISE EN GARDE » contient des informations à prendre en compte pour éviter d'endommager l'appareil.

### REMARQUE :

Un énoncé précédé du mot « REMARQUE » contient des informations utiles pouvant faciliter votre travail.

## Étiquettes informatives relatives au fonctionnement et à la sécurité



Lire et suivre les consignes de ce manuel d'utilisation. Dans le cas contraire pourraient s'ensuivre des blessures graves.



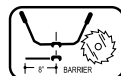
Attention aux objets projetés ou aux ricochets.



Toujours porter un harnais lors de l'utilisation d'un appareil équipé d'une lame. Un harnais est également recommandé lors de l'utilisation d'un fil de coupe.



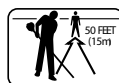
Il est recommandé de porter des dispositifs de protection pour les yeux et pour les oreilles à tout moment pendant l'utilisation de l'appareil.



Ne pas utiliser cet appareil avec une lame sans que celui-ci ne soit équipé d'un guidon ou d'une barre de sécurité homologué(e) par Shindaiwa.



Si l'appareil est utilisé comme débroussailleuse, attention au rebond. Le phénomène de coincement de la lame peut provoquer un mouvement soudain et une perte de contrôle de l'appareil.



Tenir les observateurs à 15 mètres au moins de l'aire d'utilisation de l'appareil

# Sécurité

## Sécurité au travail

Les coupe-bordure Shindaiwa fonctionnent à très haute vitesse et peuvent causer de sérieux dommages et de sérieuses blessures s'ils sont mal utilisés ou si on en fait un emploi abusif. Ne jamais laisser le coupe-bordure entre les mains d'une personne qui n'a pas lu le mode d'emploi !



### AVERTISSEMENT !

Ne jamais installer d'accessoires non approuvés. Ne jamais utiliser des accessoires dont l'installation sur cet appareil n'est pas homologué par Shindaiwa.

### Demeurer alerte

Vous devez être physiquement et mentalement alerte pour utiliser cet appareil en toute sécurité.



### AVERTISSEMENT !



Ne jamais utiliser d'équipement motorisé si vous êtes fatigué, sous l'influence d'alcool, de drogues ou de toute autre substance qui pourrait nuire à votre concentration ou à votre jugement.



### AVERTISSEMENT !

**TOUJOURS** inspecter l'appareil avant chaque utilisation. Remplacer toute pièce endommagée.

**TOUJOURS** porter un dispositif de protection pour les yeux afin de se protéger contre les objets projetés.

**NE JAMAIS** faire fonctionner le moteur lors du transport de l'appareil.

**NE JAMAIS** faire fonctionner le moteur à l'intérieur ! S'assurer qu'il y a toujours une bonne ventilation. Les gaz émanant du tuyau d'échappement peuvent causer des blessures graves, voire mortelles.

**TOUJOURS** dégager votre espace de travail de tout rebut ou débris dissimulé qui pourrait être projeté sur vous-même ou sur toute personne à proximité.

**TOUJOURS** utiliser des outils de coupe adéquats pour la tâche à accomplir.

**TOUJOURS** arrêter l'appareil s'il se met à vibrer ou s'il devient instable. Inspecter l'appareil pour détecter d'éventuels pièces ou accessoires brisés, mal installés ou manquants.

**NE JAMAIS** excéder la longueur du fil de coupe spécifiée pour votre appareil.

**TOUJOURS** tenir l'appareil aussi propre que possible. Enlever toute accumulation d'herbes, terre, etc.

**TOUJOURS** tenir l'appareil fermement des deux mains pour couper ou émonder et garder le contrôle en tout temps.

**TOUJOURS** garder les poignées propres.

**TOUJOURS** débrancher le fil de bougie avant de faire des travaux d'entretien.

**TOUJOURS** arrêter l'appareil immédiatement si la lame se coince pendant la coupe. Pousser la branche ou l'arbre pour décoincer et dégager la lame.

## Étiquettes de sécurité

**IMPORTANT!**

Étiquettes informatives relatives au fonctionnement et à la sécurité : veiller à ce que les étiquettes informatives soient intactes et lisibles. Remplacer immédiatement toute étiquette manquante ou endommagée. De nouvelles étiquettes sont disponibles auprès du représentant Shindaiwa autorisé local.

## Sécurité (suite)

### Équipement complet de l'utilisateur

Porter des dispositifs de protection pour les oreilles ainsi qu'un casque à grands bords ou un casque protecteur. Un casque est requis lors de l'utilisation d'une débroussailleuse munie d'une lame pour le nettoyage de petits arbres.

L'exposition prolongée au bruit excessif devient fatigante et peut provoquer une altération auditive.

Porter des vêtements ajustés pour protéger les jambes et les bras. Il est fortement recommandé de porter des gants car ils offrent une sécurité supplémentaire. Ne pas porter de vêtements ou de bijoux qui pourraient facilement se coincer dans l'appareil ou dans les broussailles. Attacher les cheveux au-dessus du niveau des épaules. **NE JAMAIS** porter de culottes courtes.!

L'exposition prolongée aux vibrations risque de causer des blessures aux mains.

Garder le pied ferme et ne pas s'étirer outre mesure. Garder l'équilibre en tout temps.

Porter des articles chaussant (bottes ou souliers antidérapants). Ne jamais porter des sandales ou des chaussures à bouts ouverts. Ne jamais travailler nu-pieds.



Toujours porter un dispositif de protection pour les yeux comme des lunettes de sécurité pour se protéger contre les objets projetés.

Toujours porter un harnais lors de l'utilisation de l'appareil avec une lame. Le harnais augmente le confort et contribue à assurer la sécurité en limitant le mouvement avant et arrière. Lorsque le harnais est ajusté adéquatement, l'appareil devrait être en équilibre avec l'accessoire tranchant parallèlement au sol.

Toujours garder les deux mains fermement agrippées sur l'appareil.

Lors de l'utilisation avec une lame, s'assurer que la poignée est positionnée de manière à offrir un maximum de protection contre le contact avec la lame. Toujours s'assurer que le guidon est installé conformément aux indications du fabricant.

Toujours s'assurer que le pare-débris approprié est installé correctement et qu'il est en bon état. Ne jamais utiliser l'appareil sans le pare-débris ou si le pare-débris est lâche ou brisé.

Rester à distance du fil de coupe ou de la lame en rotation, en tout temps. Ne jamais soulever au-dessus de la hauteur de la taille un outil de coupe en rotation.

Français

### Tenir compte de l'environnement de travail

Éviter toute utilisation prolongée à température très chaude ou très froide.

Faire preuve d'une extrême prudence sur terrain glissant, en particulier par temps de pluie.

Tenir compte en permanence des objets et débris pouvant être projetés par l'accessoire de coupe en rotation ou pouvant rebondir sur une surface dure

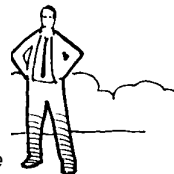
En cas de contact avec un objet dur, arrêter le moteur et inspecter l'accessoire de coupe.



S'assurer que les observateurs gardent une distance d'au moins 15 mètres (50 pieds) de la zone dangereuse et qu'ils portent des lunettes de sécurité.

#### 15 MÈTRES

Toujours s'assurer que le déflecteur de l'accessoire de coupe approprié est correctement installé.



Réduire le risque que les observateurs soient heurtés par des objets projetés. Garder toute personne à une distance d'au moins 15 mètres (50 pieds) – environ 16 pas – de l'outil de coupe. Toujours arrêter l'appareil si un enfant, un animal domestique ou une personne s'approche de l'appareil dans un rayon de 15 mètres (50 pieds). Il existe toujours un risque de blessure lié à la projection d'objets à l'extérieur de ce rayon.

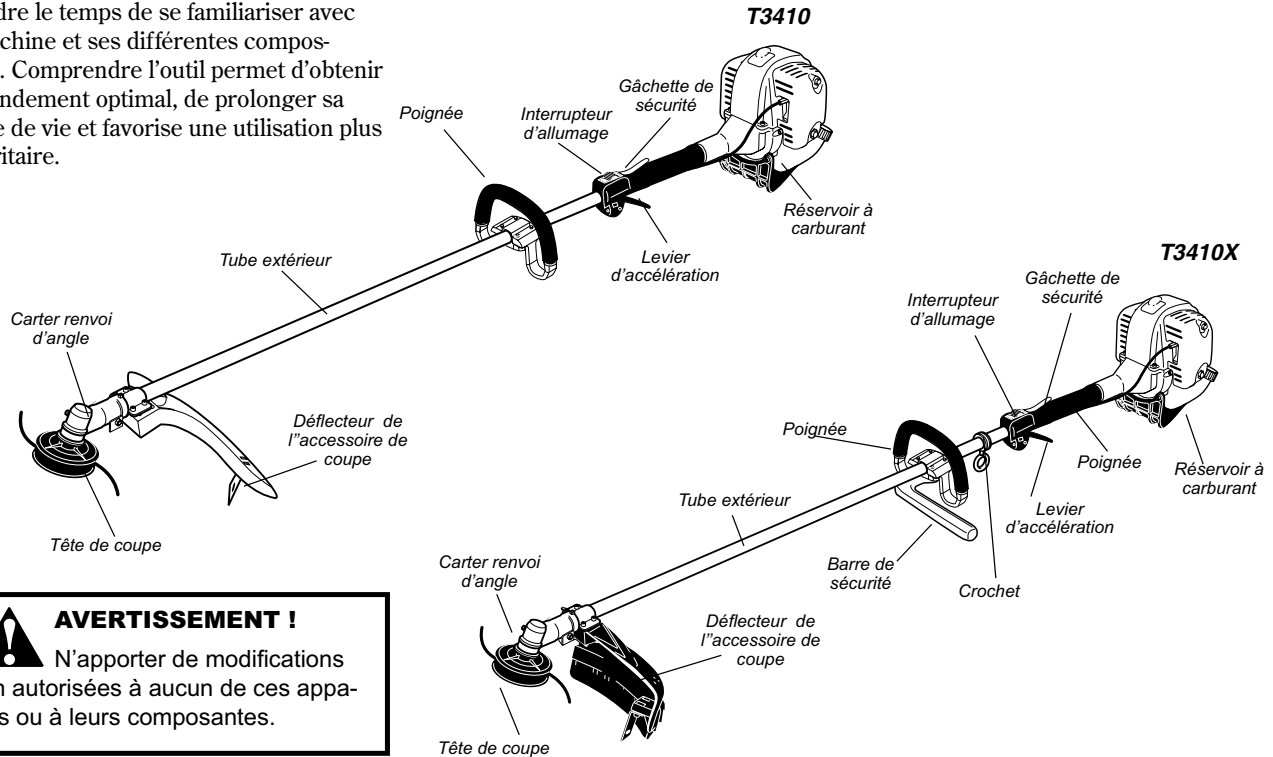
Ne jamais utiliser l'appareil sans le pare-débris ou si le pare-débris est lâche ou brisé.

Se méfier d'une lame ondulante pendant la taille ou le débroussaillage. Une lame ondulée peut blesser lorsqu'elle continue de tourner une fois le levier d'accélération relâché ou une fois le moteur arrêté.

Toujours nettoyer le lieu de travail; enlever tout débris ou déchet qui pourrait être projeté dans votre direction ou celle d'un observateur. Lors de l'utilisation sur un terrain rocailleux ou à proximité de fils électriques ou de clôtures, s'assurer que ces éléments n'entrent pas en contact avec l'outil de coupe.

# Nomenclature

Prendre le temps de se familiariser avec la machine et ses différentes composantes. Comprendre l'outil permet d'obtenir un rendement optimal, de prolonger sa durée de vie et favorise une utilisation plus sécuritaire.



**AVERTISSEMENT !**  
N'apporter de modifications non autorisées à aucun de ces appareils ou à leurs composantes.

Français

## Caractéristiques techniques

Nom du moteur	T3410	T3410X
Modèle du moteur	SF3410E	
Type de moteur	4-temps, cylindre vertical, refroidissement à air	
Poids à sec (sans accessoires)	5.9 kg /13.0 lb.	6.0 kg /13.2 lb
Alésage x stroke	38 x 30 mm / 1.5 x 1.2 in.	
Cylindrée	34 cc / 2.1 cu. in.	
Puissance maximale	1.4 HP (1.0 kW) @ 8000 (min <sup>-1</sup> )	
Vitesse moteur au ralenti ( recommandée)	3,000 (±300) min <sup>-1</sup>	
Rapport huile/carburant	50:1 avec de l'huile pour moteur à deux temps de catégorie ISO-L-EGD ou JASO FC	
Capacité du réservoir	700 ml /23.7 oz.	
Type de carburateur	Walbro WYL, à diaphragme	
Allumage	Monobloc par transistor	
Bougie	NGK CMR5H	
Écart d'électrode	0.6 - 0.7 mm / 0.024 - 0.028 in.	
Moment de torsion	100 -150 kg cm / 9,8 - 14,7 N·m	
Type de filtre à air	Pré-filtre : mousse ; filtre principal : élément sec	
Démarrage	Lanceur à rappel	
Arrêt	Interrupteur	
Type de transmission	Automatique, embrayage centrifuge avec pignon conique	
Période de conformité aux normes d'émission EPA*	Catégorie A	

Les caractéristiques techniques sont susceptibles d'être modifiées sans préavis.

\* La conformité aux normes d'émissions EPA, mentionnée sur l'étiquette de contrôle des émissions située sur le moteur, indique le nombre d'heures de fonctionnement pour lesquelles le moteur est conforme aux exigences fédérales concernant les émissions. Catégorie C = 50 heures (Modéré), B = 125 heures (Intermédiaire) et A = 300 heures (Étendu).

\*\*La bougie NGK CMR5H répond également aux exigences en matière de conformité électromagnétique (CEM).

## Assemblage

Cet appareil est fourni complètement assemblé, à l'exception du déflecteur de l'accessoire de coupe et de l'accessoire de coupe..

### IMPORTANT!

Les termes « gauche », « à gauche » et « vers la gauche » ; « droite », « à droite » et « vers la droite » ; « avant » et « arrière » font référence à la direction telle que vue par l'opérateur lors d'une utilisation normale de l'appareil.

### Avant l'assemblage

Avant d'assembler l'appareil, s'assurer que toutes les composantes requises pour l'appareil sont présentes et inspecter l'appareil et ses composantes pour y déceler tout dommage éventuel.

- Assemblage moteur et arbre
- Déflecteur de l'accessoire de coupe
- Accessoire de coupe

- L'ensemble comprend le déflecteur de l'accessoire de coupe, le support de montage et la visserie requise, le présent manuel d'utilisation ainsi que la trousse nécessaire à l'entretien régulier. La trousse d'outils varie selon le modèle et peut comprendre une clé à bougie et un racleur.

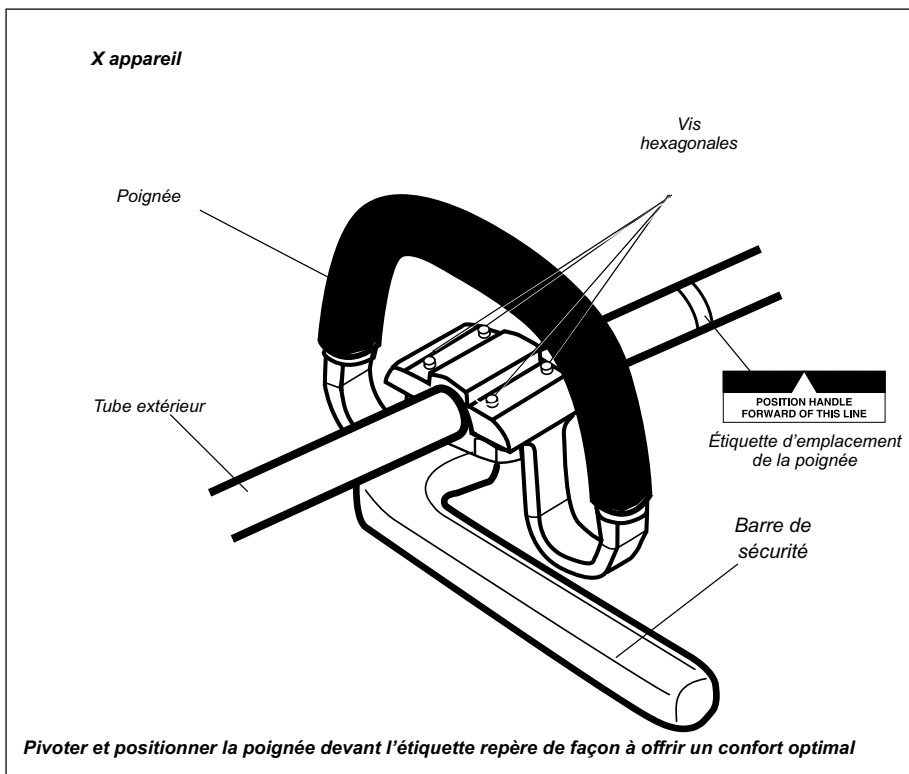
### Poignée y Barre de sécurité X appareil

1. La poignée est fixée sur le tube extérieur en usine et positionnée verticalement. Desserrer les quatre vis hexagonales sur la poignée et faire pivoter la poignée de 90 degrés.

#### REMARQUE:

Maintenir la poignée vers l'avant par rapport à son décalque de positionnement.

2. Positionner la poignée devant l'étiquette repère de façon à offrir un confort optimal à l'utilisateur (à environ 25 cm de l'extrémité)
3. Fixer la poignée en serrant alternativement les quatre vis hexagonales en diagonale ou en croix.





## Assemblage (suite) Déflecteur

1. Insérer le déflecteur de l'accessoire de coupe entre le tube extérieur et la plaque de montage du déflecteur.

### REMARQUE:

Il peut être nécessaire de desserrer la vis de serrage pour ajuster la plaque de montage du déflecteur.

2. Fixer les deux cales et le support sur le tube extérieur et fixer sans serrer les quatre vis hexagonales.
3. Serrer les quatre vis hexagonales afin que le déflecteur soit fermement fixé.

### MISE EN GARDE !

S'assurer que l'écrou, la cale et la vis de serrage sont fermement serrés avant de serrer les quatre vis hexagonales.



### AVERTISSEMENT !

NE JAMAIS faire fonctionner l'appareil sans avoir installé le déflecteur et s'être assuré qu'il est solidement fixé !

### Déflecteur inférieur (lorsque la tête de coupe est utilisée)

1. Fixer le déflecteur inférieur sur le déflecteur de l'accessoire de coupe.

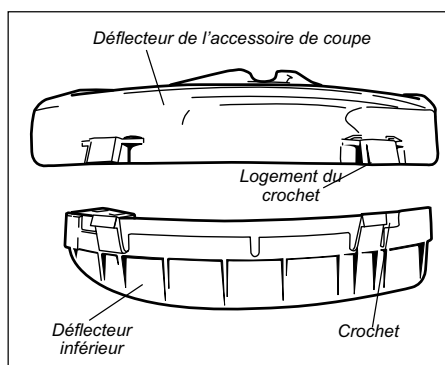
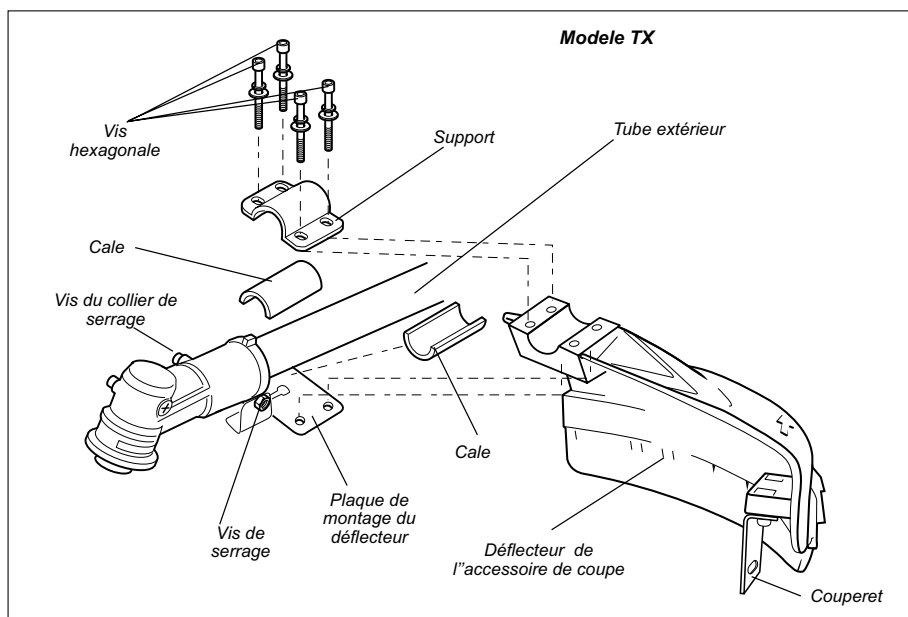
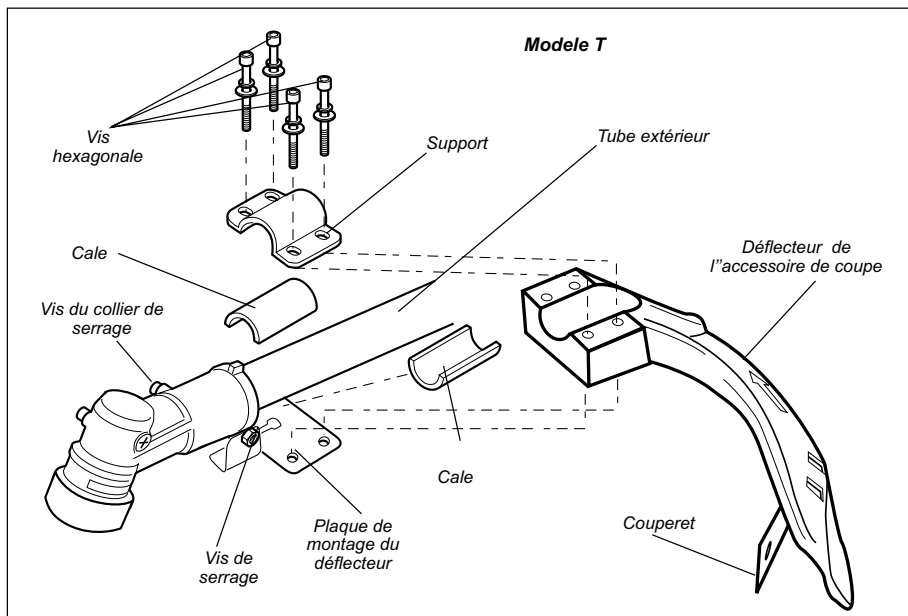


### AVERTISSEMENT !

NE JAMAIS utiliser l'appareil sans le déflecteur inférieur lors de l'utilisation de la tête de coupe.

### MISE EN GARDE !

S'assurer que la rallonge est correctement fixée au niveau des encoches.



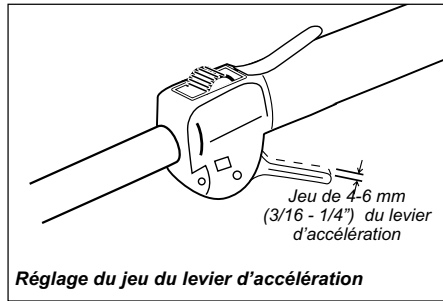


## Assemblage (suite)

### Réglage du jeu du levier d'accélération

La course libre du levier d'accélération doit être de 4 à 6 mm (3/16" - 1/4") environ. S'assurer que le levier d'accélération fonctionne en douceur, sans se coincer. S'il est nécessaire de régler la course libre du levier d'accélération, suivre les instructions fournies par les procédures et illustrations cela suit.

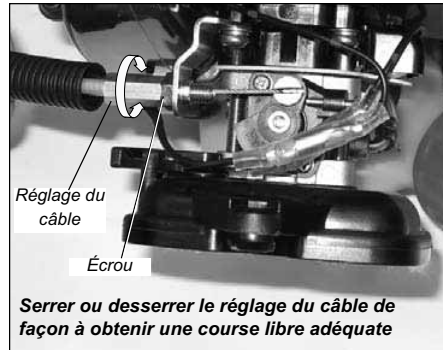
1. Desserrer l'écrou de blocage du système de réglage du câble d'accélération.
2. Serrer ou desserrer le système de réglage du câble d'accélération de façon à obtenir une course libre adéquate de 4 à 6 mm (3/16" - 1/4").
3. Serrer l'écrou de blocage.
4. Réinstaller le couvercle du filtre à air.



Réglage du jeu du levier d'accélération



Retirer le couvercle du filtre à air.



Serrer ou desserrer le réglage du câble de façon à obtenir une course libre adéquate

### Installer la tête de coupe



#### AVERTISSEMENT !

Ne JAMAIS faire fonctionner un coupe-bordure à poignée circulaire avec des accessoires comportant une lame. Un coupe-bordure comportant une lame doit être équipé d'un guidon ou d'une barre de sécurité situés devant l'utilisateur pour limiter les risques de contact entre l'utilisateur et l'accessoire de coupe (conformément à la norme ANSI B175.3). Lors de l'utilisation d'une lame, l'appareil doit également être équipé d'un harnais ou d'une bretelle.

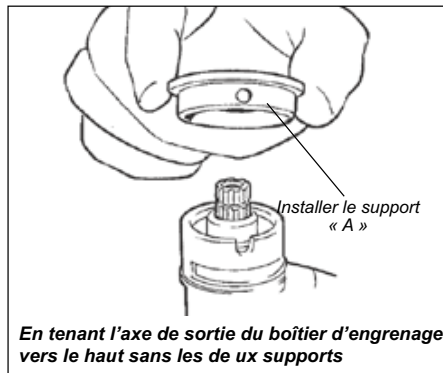
#### NOTE:

Sur le modèle, le support A, le système de retenue de la lame (attache de sécurité), le support B, le boulon de l'axe et le protecteur de boulons sont installés en usine. Le boulon de l'axe comporte un filetage À GAUCHE. Pour le retirer, le tourner dans le SENS DES AIGUILLES D'UNE MONTRE !

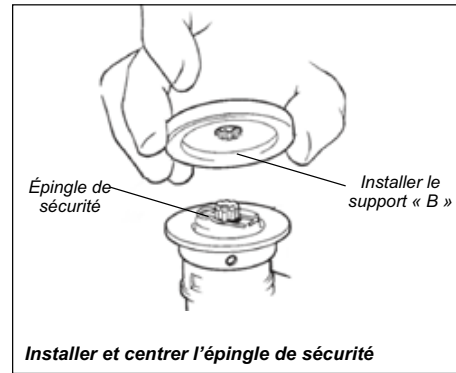
#### IMPORTANT!

Pour installer une tête de coupe sur un coupe-bordure TX, ôter tout d'abord le boulon de l'arbre, le protecteur de boulon et l'attache de sécurité.

1. En tenant l'axe de sortie du boîtier d'engrenage vers le haut sans les deux supports :
2. Installer le support « A » et le glisser sur l'axe du boîtier d'engrenage.

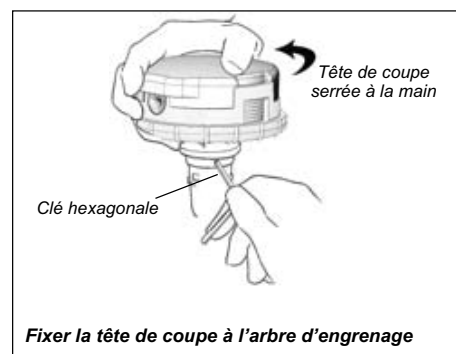


En tenant l'axe de sortie du boîtier d'engrenage vers le haut sans les deux supports



Installer et centrer l'épingle de sécurité

3. Installer et centrer l'épingle de sécurité sur l'axe du boîtier d'engrenage.
4. Installer le support « B » sur l'axe du boîtier d'engrenage. La protubérance usinée sur le support « A » doit s'encaster dans le renforcement du support « B ».
5. Tourner l'arbre d'engrenage et les supports jusqu'à ce que l'orifice du support « A » soit aligné avec l'orifice dans le boîtier d'engrenage; bloquer ensuite le support dans le boîtier d'engrenage en insérant le long bout de la clé hexagonale dans les orifices.
6. En effectuant une rotation en sens antihoraire et en exerçant une pression de la main, insérer et fixer la tête de coupe à l'arbre d'engrenage.
7. Retirer la clé hexagonale du boîtier



Fixer la tête de coupe à l'arbre d'engrenage

d'engrenage et des supports.

**L'appareil doit maintenant être entièrement assemblé et être utilisable avec une lame.**

## Assemblage (suite)

### Installation de la lame de débroussailluse



#### AVERTISSEMENT !

Ne pas fixer de lame à un appareil sans d'abord installer adéquatement l'ensemble des pièces requises. Négliger d'utiliser les pièces appropriées peut provoquer la projection de la lame et causer de graves blessures à l'utilisateur ou aux observateurs, ou aux deux à la fois.

1. Retourner le de façon à positionner l'arbre de sortie du carter renvoi d'angle sur le dessus ; ôter le boulon de l'arbre, le protecteur de boulon et le support B de l'arbre du carter renvoi d'angle.
2. Aligner le trou du support de lame A sur le trou correspondant de la bride du boîtier d'engrenages, et bloquer temporairement l'arbre de sortie en insérant une clé hexagonale dans les deux trous.
3. Faire glisser l'attache de sécurité hors du centre.
4. Placer la lame sur l'attache de sécurité puis le centrer sur la bride du support A. Positionner et bloquer la lame en centrant l'attache de sécurité sur l'arbre de sortie.



#### AVERTISSEMENT !

La lame doit être fixée à plat contre la bride du support. Le trou de montage de la lame doit être centré sur le bossage rehaussé du support de lame A.

#### MISE EN GARDE !

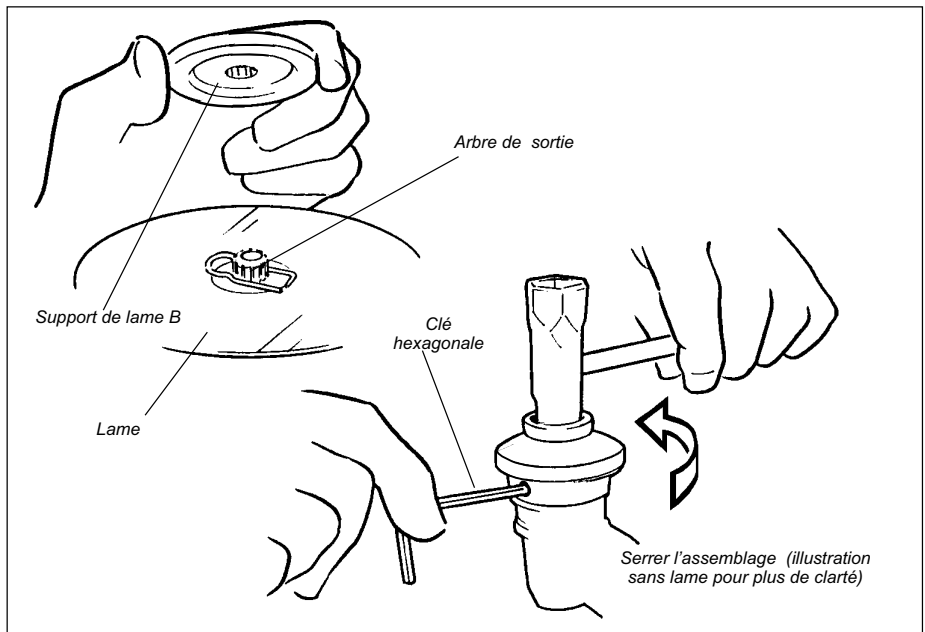
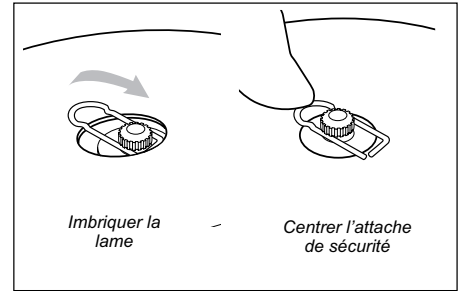
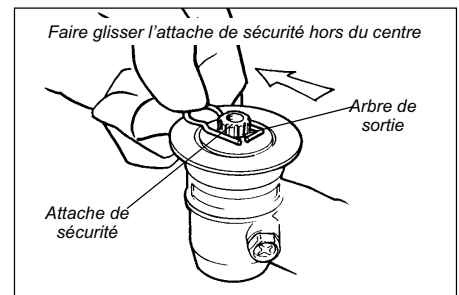
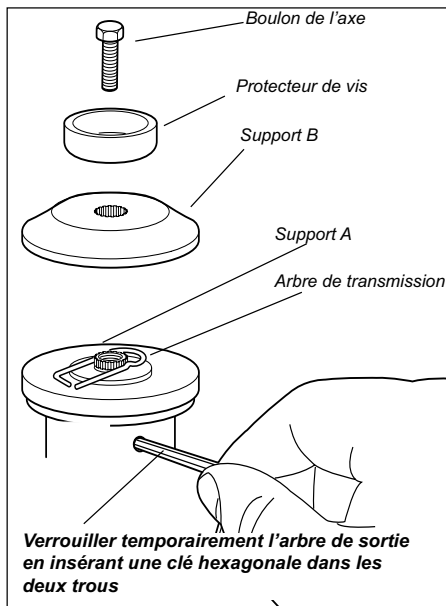
Installer la lame de façon à ce que sa surface imprimée soit visible à l'utilisateur lorsque la débroussailluse est en position normale d'utilisation.

5. Installer le support de lame B sur l'arbre de sortie. L'encoche du support doit couvrir complètement l'attache de sécurité et être fermement serrée contre la lame.



#### AVERTISSEMENT !

Le support B doit être en appui contre la lame et les cannelures engagées dans l'arbre de sortie.



6. Installer le protecteur de boulon puis le boulon de retenue de la lame. À l'aide de la clé mixte à bougie, serrer fermement le boulon en sens contraire des aiguilles d'une montre.
7. Ôter la clé hexagonale.

**L'appareil doit maintenant être entièrement assemblé et être utilisable avec une lame.**

#### IMPORTANT!

Jeter les lames courbées, gauchies, fissurées, brisées ou endommagées de toute façon que ce soit. Utiliser une lame tranchante. Une lame émoussée peut plus vraisemblablement accrocher et provoquer un mouvement de recul.

## Mélange de carburant

### MISE EN GARDE !

- Ne jamais utiliser un carburant contenant plus de 10 % d'alcool par volume. Certains carburants contiennent de l'alcool comme oxygénant. Le carburant oxygéné peut causer l'augmentation des températures de fonctionnement. Dans certaines situations, le carburant à base d'alcool peut également faire diminuer les propriétés lubrifiantes de certains mélanges d'huile pour moteur à deux temps.
- Les huiles génériques et certaines huiles pour moteurs hors-bord ne doit jamais être utilisé avec les moteurs de Shindaiwa.

### MISE EN GARDE !

Ce moteur est conçu pour fonctionner avec un mélange d'essence sans plomb et d'huile de catégorie ISO-L-EGD ou JASO FD pour moteur à deux temps seulement, dans une proportion de 50:1. L'utilisation de mélanges d'huile non autorisés risque d'entraîner une accumulation excessive de dépôt de calamine.

- Utiliser uniquement de l'essence sans plomb propre dont l'indice d'octane est égal ou supérieur à 87.
- Mélanger l'essence avec une huile pour moteurs à deux temps dont les caractéristiques sont conformes ou supérieures aux exigences des normes ISO-L-EGD et/ou JASO FD selon un rapport de 50:1.

### MISE EN GARDE !

Le mélange et verse le carburant en plein air où il n'y a aucune étincelle et flammes.

### Exemples de quantités de mélange de carburant à 50:1

U.S.		Metric	
Essence	Huile moteur à deux temps	Essence	Huile moteur à deux temps
États-Unis Gallons	États-Unis Fl.oz.	Litres	cc.
1	2.6	4	80
2	5.2	8	160
5	13	20	400
10	25.6	30	600
20	51.2	50	1000
50	128	100	2000

### IMPORTANT !

Uniquement préparer la quantité dont vous avez besoin dans l'immédiat ! Si le carburant doit être remis plus de 30 jours et que l'huile **ONE** avec stabilisateur n'est pas utilisée, il est préférable de la stabiliser à l'aide d'un produit adapté.

L'huile **ONE** est une huile conforme à la norme JASO FD, et satisfait également aux exigences de la norme ISO-L-EGD relative aux performances. L'huile Shindaiwa One est préconisée pour tous les moteurs à émissions réduites de Shindaiwa, et contient également un stabilisateur.

## Remplissage du réservoir à carburant



### AVERTISSEMENT !

Réduire les risques d'incendie !

- **NE JAMAIS** fumer ou allumer de feu à proximité du moteur.
- **TOUJOURS** arrêter le moteur et le laisser refroidir avant de faire le plein.
- **TOUJOURS** nettoyer tout déversement de carburant et déplacer le moteur à au moins 3 mètres du lieu et de la source de remplissage avant de démarrer !
- **NE JAMAIS** placer de matière inflammable à proximité du silencieux du moteur.
- **NE JAMAIS** utiliser le moteur sans silencieux ou sans pare-étincelles, et sans que ceux-ci ne fonctionnent correctement.
- **LE CARBURANT EST FORTEMENT INFLAMMABLE.**
- Gardez **TOUJOURS** l'essence dans un conteneur approuvé.
- **TOUJOURS** vérifier qu'il n'y a pas de fuites de carburant avant chaque usage. À chaque remplissage, s'assurer que le carburant ne s'écoule pas du bouchon et/ou du réservoir de carburant. En cas de fuite apparente, cesser immédiatement d'utiliser l'appareil. Réparer toute fuite de carburant avant d'utiliser l'appareil.
- **TOUJOURS** déplacer l'appareil à 3 mètres au moins de l'aire de remplissage ou d'autres substances inflammables avant de démarrer le moteur.

1. Placer l'appareil sur une surface plane et stable.
2. Enlever tout débris ou toute saleté du bouchon du réservoir de carburant.

### MISE EN GARDE !

Enlevez le bouchon de réservoir lentement seulement après l'arrêt du moteur.

3. Enlever le bouchon du réservoir et verser du carburant propre dans le réservoir.
4. Remettre le bouchon sur le réservoir de carburant et serrer fermement.
5. Nettoyer tout déversement d'essence avant de démarrer le moteur.

# Démarrage du moteur

## IMPORTANT !

L'allumage du moteur est commandé par un commutateur à deux positions (marche/arrêt) monté sur le corps de l'accélérateur. En général, ce bouton porte l'inscription « I » pour MARCHE et « O » pour ARRÊT.



### AVERTISSEMENT !

Ne jamais démarrer l'appareil en position d'utilisation.

1. Glisser le commutateur d'allumage sur la position « I » (MARCHE).
2. Régler le levier d'accélération en position « ralenti rapide » de la façon suivante :
  - a. Ramener le levier d'accélération en direction de la poignée sur le tube de l'axe.
  - b. Appuyer sur le bouton de blocage de l'accélérateur et le maintenir enfoncé.
  - c. Tout en enfonçant le bouton de blocage de l'accélérateur, relâcher le levier d'accélération

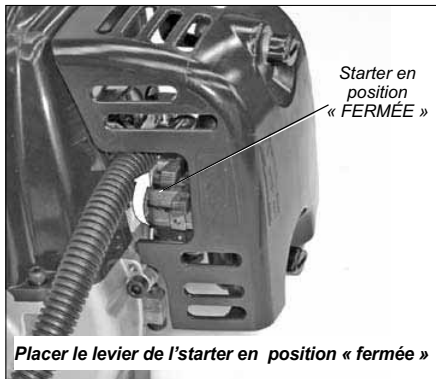
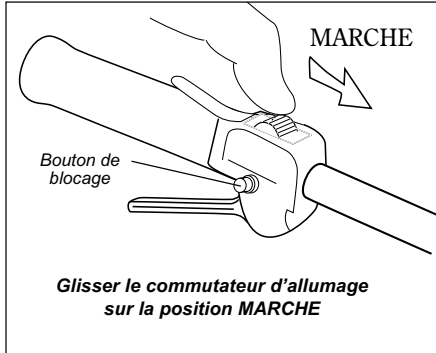
### IMPORTANT !

Le système d'amorçage ne fait qu'injecter du carburant dans le carburateur. Appuyer à plusieurs reprises sur la poire d'amorçage ne risque pas de noyer le moteur avec du carburant.

3. Appuyer à plusieurs reprises la pompe d'amorçage du carburateur jusqu'à voir le carburant circuler dans la conduite de retour transparente.
4. Placer le levier de l'starter en position « fermée » si le moteur est froid.
5. Tout en tenant fermement le tube extérieur de la main gauche, de la main droite, tirer sur la poignée du démarreur (vers le haut), lentement, jusqu'à ce que vous sentiez le moteur s'engager.

### MISE EN GARDE !

Ne jamais tirer la corde de démarrage à rappel jusqu'au bout. Tirer la corde de démarrage à rappel risque d'endommager le démarreur.



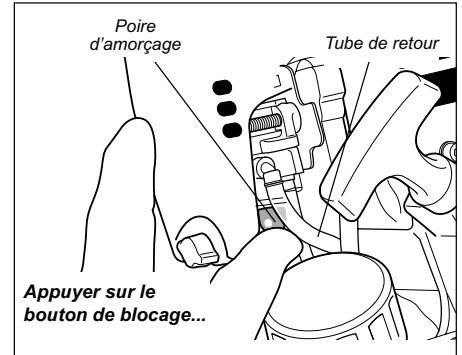
### AVERTISSEMENT !

L'accessoire de coupe risque de tourner lorsque le moteur démarre !

6. Quand le moteur démarre, déplacer lentement le levier de l'étrangleur vers la position « ouverte ». (Si le moteur s'arrête après le premier démarrage, fermer l'étrangleur et recommencer.)
7. L'actionnement du levier d'accélération libère automatiquement le mécanisme du ralenti rapide.

### IMPORTANT !

Si le moteur ne démarre pas après plusieurs tentatives alors que l'starter est en position « fermée », il est peut-être noyé. Consulter la section « Démarrage d'un moteur noyé » de ce manuel.



### Lorsque le moteur démarre...

- Une fois le moteur démarré, le laisser tourner à faible régime pendant 2 à 3 minutes afin de le laisser chauffer avant d'utiliser l'appareil.
- Une fois le moteur chaud, prendre l'appareil et fixer le harnais, le cas échéant.

- Une pression sur le levier d'accélération accélère le mouvement d'oscillation de l'accessoire de coupe ; le relâchement de l'accélérateur permet à l'accessoire de coupe de s'immobiliser. Si

l'accessoire de coupe ne s'immobilise pas alors que le moteur tourne au ralenti, il faut régler le régime de ralenti du carburateur (voir « Réglage du ralenti du moteur », à la page suivante).



## Démarrage du moteur (suite)

### Démarrage d'un moteur noyé

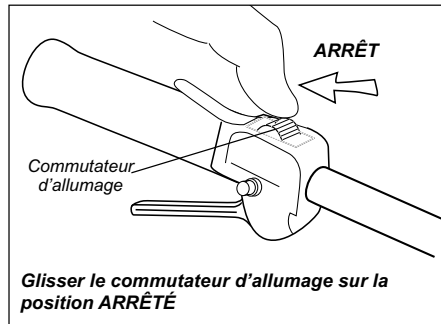
1. Glisser l'interrupteur d'allumage dans la position « O » (ARRÊT).
2. Débrancher le fil de la bougie, puis retirer celle-ci à l'aide de la clé à bougie fournie (tourner la bougie en sens contraire des aiguilles d'une montre pour la desserrer).
  - Si la bougie est encrassée ou imbibée de carburant, la nettoyer si nécessaire.
3. Ouvrir le starter et appuyer complètement sur le levier d'accélération de la main gauche, puis tirer rapidement sur la poignée du lanceur de la main droite pour évacuer l'excédent de carburant de la chambre de combustion.
4. Remplacer la bougie et le resserre fermement avec la clé plate de bougie. Si une clé dynamométrique est

disponible, Consulter la section « Caractéristiques techniques » pour le moment de torsion la bougie. Répéter la procédure de démarrage pour un moteur chaud.

5. Si le moteur ne démarre toujours pas, consulter la section de dépannage.

### Arrêt du moteur

1. Après une séance de travail, laisser tourner le moteur au ralenti 2 à 3 minutes afin qu'il retrouve une température normale.
2. Glisser l'interrupteur en position « O » (ARRÊT).



### IMPORTANT

Une fois l'appareil éteint, attendre que la lame soit immobile avant de déposer l'appareil.

### Réglage du ralenti du moteur

Le moteur doit retourner au régime de ralenti dès que le levier d'accélération est relâché. Le régime de ralenti est réglable ; il doit être réglé assez bas pour que l'embrayage se désengage et que l'accessoire de coupe cesse de tourner lorsque le levier d'accélération est relâché.



#### AVERTISSEMENT !

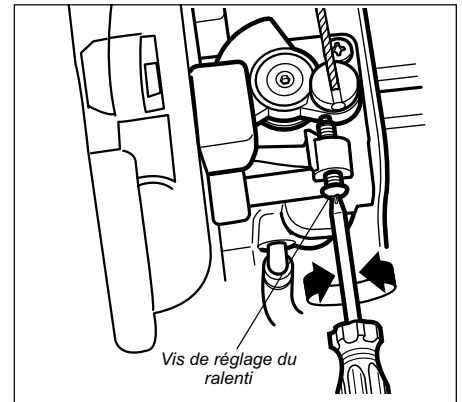
L'accessoire de coupe ne doit JAMAIS tourner quand le moteur est au ralenti ! S'il est impossible de régler le régime de ralenti en suivant les procédures indiquées, retourner l'appareil au vendeur Shindaiwa.

#### Réglage du ralenti

1. Poser l'appareil sur le sol, puis démarrer le moteur et le laisser tourner à bas régime pendant 2 à 3 minutes jusqu'à ce qu'il soit chaud.
2. Si l'accessoire de coupe oscille lorsque le moteur tourne au ralenti, réduire le régime de ralenti en tournant la vis de réglage du ralenti en sens contraire des aiguilles d'une montre.
3. Si un tachymètre est disponible, régler le régime du ralenti aux valeurs inscrites dans la section de « Spécifications ».

#### NOTE

Les réglages du mélange de carburant du carburateur sont réalisés en usine et ne peuvent être modifiés sur le terrain..



### Contrôle de l'état de l'appareil

**NE JAMAIS** faire fonctionner l'appareil sans le carter de l'accessoire de coupe ou autres dispositifs de protection !

Utiliser uniquement des pièces et accessoires autorisés Shindaiwa avec votre taille-bordure Shindaiwa. Ne pas apporter de modifications à l'appareil sans l'autorisation écrite de Shindaiwa, Inc.

**TOUJOURS** s'assurer que l'accessoire de coupe est correctement installé et fermement serré avant toute utilisation.

**NE JAMAIS** utiliser un accessoire de coupe fendillé ou voilé : le remplacer par un outil de coupe en bon état.

**TOUJOURS** s'assurer que l'accessoire de coupe se règle correctement sur le support de l'accessoire approprié. Si un accessoire installé correctement vibre, le remplacer par un nouvel accessoire et vérifier une nouvelle fois.

**TOUJOURS** arrêter le moteur immédiatement et vérifier si l'accessoire de coupe est endommagé après avoir percuté un objet solide, ou si l'appareil devient instable.

**NE PAS** utiliser un accessoire de coupe brisé ou endommagé.

**NE JAMAIS** faire fonctionner le moteur à haut régime sans charge. Cela pourrait endommager le moteur.

**NE JAMAIS** faire fonctionner un appareil dont les attaches ou supports d'accessoire sont usés ou endommagés.



#### AVERTISSEMENT !

Un carter d'accessoire de coupe ou tout autre dispositif de protection n'offre pas de garantie de protection contre les ricochets. **TOUJOURS PRENDRE GARDE AUX PROJECTIONS DE DÉBRIS !**

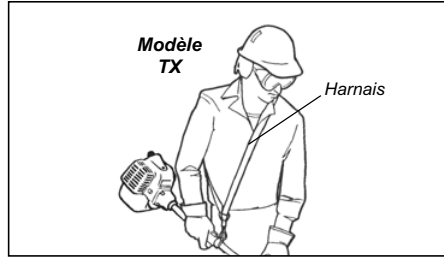
## Fonctionnement Pour passer le harnais



### AVERTISSEMENT !

Toujours porter un harnais lors de l'utilisation de cet appareil avec une lame. Un harnais est également recommandé lors de l'utilisation d'un fil de coupe.

1. Accrocher le crochet du harnais à l'anneau d'attache situé sur le tube extérieur.
2. Porter le harnais de manière à ce que le crochet se trouve sur votre droite.



3. Ajuster la longueur du harnais de manière à pouvoir utiliser l'appareil confortablement.

### IMPORTANT !

Régler le harnais de façon à ce que l'épaulette soit bien calée sur l'épaule gauche et que le chemin de coupe de l'accessoire de coupe soit parallèle au sol. S'assurer que tous les crochets et accessoires sont bien fixés.

## Utilisation d'une débroussailleuse avec une tête de coupe

Votre appareil Shindaiwa peut être équipé d'un ou plusieurs modèles de tête de coupe de Shindaiwa ; chaque modèle est adapté à des applications et/ou des exigences fonctionnelles spécifiques.

### REMARQUE :

Afin de garantir le bon fonctionnement de l'appareil, toujours se reporter aux instructions fournies avec la tête de coupe utilisée.

### Types de têtes de coupe disponibles sont les suivants :

**Semi-automatique.** Le fil de coupe est déroulé lorsque l'utilisateur tape la tête de coupe sur le sol pendant le fonctionnement de l'appareil.

**Manuel.** L'opérateur déroule manuellement le fil de coupe après avoir arrêté le moteur de la débroussailleuse.

**Fixe.** L'opérateur doit arrêter l'appareil et ajouter manuellement de nouvelles longueurs de fil de coupe.

**Fléau.** Cet appareil, conçu pour couper les mauvaises herbes et les broussailles peu épaisses, est équipé de trois lames en nylon reliées à la tête de coupe par des points d'articulation.

### REMARQUE :

Des outils supplémentaires peuvent être nécessaires pour installer les têtes de coupe de type Fixe ou Fléau.

### Régimes de fonctionnement du moteur

Faire tourner l'appareil à plein régime pendant la coupe.

### Tailler et tondre la pelouse

Tenir l'appareil de façon à ce que la tête de coupe soit inclinée légèrement vers la zone à tailler. Pour assurer la longévité de votre fil de coupe, couper uniquement avec le bout du fil de coupe. Couper l'herbe en déplaçant la tête de coupe de l'appareil de la gauche vers la droite. Maintenir la tête de coupe horizontale.

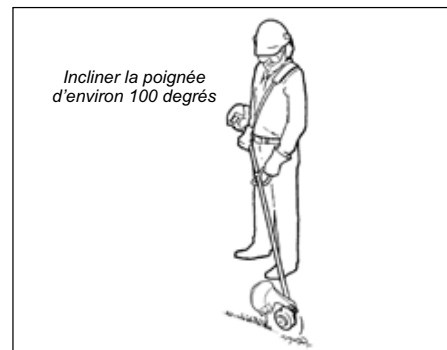
### MISE EN GARDE !

- Ne pas faire entrer le fil en rotation en contact avec les arbres, les clôtures en fil de fer ou tout autre objet qui risque de s'emmêler ou de casser l'extrémité des fils.
- L'utilisation à bas régime peut conduire à une défaillance prématurée de l'embrayage.
- L'utilisation à bas régime peut conduire à une défaillance prématurée de l'embrayage.



## Faire les bordures

Incliner la poignée d'environ 100 degrés vers la gauche (à partir de l'horizontale) et avancer tout en maintenant la débroussailleuse à la verticale, comme indiqué.



## Fonctionnement (suite)

### Utilisation d'une lame



#### AVERTISSEMENT !

- Avant de commencer à travailler avec un appareil équipé de lame, toujours inspecter et dégager l'aire d'utilisation de tout objet qui pourrait entrer en contact avec la lame ou l'endommager.
- Ne jamais utiliser une lame près de trottoirs, poteaux de clôture, bâtiments ou autres objets pouvant causer des blessures ou des dommages.
- Ne jamais utiliser une lame à des fins autres que celles pour lesquelles elle a été conçue.
- Si la lame percute un objet dur, toujours arrêter l'appareil et vérifier si la lame est endommagée. **NE JAMAIS FAIRE FONCTIONNER LA DÉBROUSSAILLEUSE AVEC UNE LAME ENDOMMAGÉE !**
- Un appareil comportant une lame doit être équipé d'un guidon de type bicyclette ou d'une barre de guidon ainsi que d'un harnais.
- Toujours s'assurer que le carter de l'accessoire de coupe est correctement installé avant d'utiliser cet appareil.

### Rebond de lame

Le rebond de lame est un mouvement soudain de la débroussailleuse sur les côtés ou vers l'arrière. Une telle situation peut se produire quand la lame se coince ou entre en contact avec un objet comme un jeune arbre ou la souche d'un arbre. **RESTER VIGILANT EN PERMANENCE ET SE PROTÉGER DES EFFETS DU REBOND DE LAME !**

### Guidon de débroussailleuse

Le guidon ou la barre de guidon de la débroussailleuse permet d'empêcher l'utilisateur de faire un mouvement avant, ou l'appareil de faire un mouvement arrière, et évite ainsi un contact corporel par inadvertance avec la lame. **TOUJOURS AVOIR LE GUIDON OU LA BARRE DE GUIDON EN PLACE SUR L'APPAREIL ET CORRECTEMENT INSTALLÉ(E) !**

### Harnais de débroussailleuse

Un harnais offre une protection supplémentaire contre le rebond de lame. En outre, un harnais offre un soutien et un confort significatif pour une utilisation efficace et sans danger. Lors de l'utilisation d'un appareil équipé d'une lame, s'assurer que la poignée et le harnais sont réglés à la taille de la personne qui utilise l'appareil.

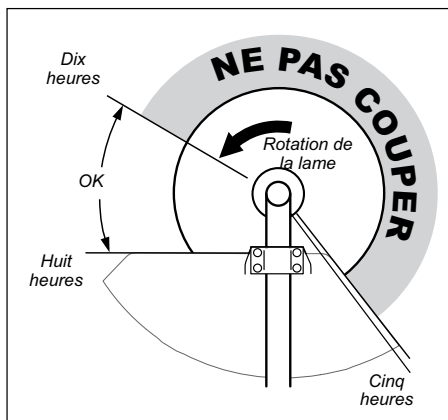
### Régimes de fonctionnement du moteur

Faire tourner le moteur à plein régime pendant la coupe. Pour une efficacité optimale du carburant, relâcher l'accélérateur lors du basculement en arrière après une coupe.

- Pour éviter tout endommagement du moteur, ne pas faire fonctionner le taille-bordure à haut régime sans charge.
- Éviter de faire fonctionner le moteur à bas régime. Cela pourrait endommager l'embrayage rapidement. En outre, l'utilisation à bas régime tend à faire s'enrouler l'herbe et les débris autour de l'accessoire de coupe.

### Utilisation d'une lame

La lame tourne en sens contraire des aiguilles d'une montre. Pour des performances optimales et pour éviter de percuter des débris, déplacer la lame de droite à gauche dans votre travail. Positionner la lame de façon à couper entre les positions 8 heures et 10 heures (vue du dessus). **NE PAS couper entre les positions 10 heures et 5 heures.**



#### AVERTISSEMENT !

Lors de la coupe de bois avec une débroussailleuse, alimenter la lame lentement—ne jamais percuter ou « claquer » une lame en rotation contre le bois.

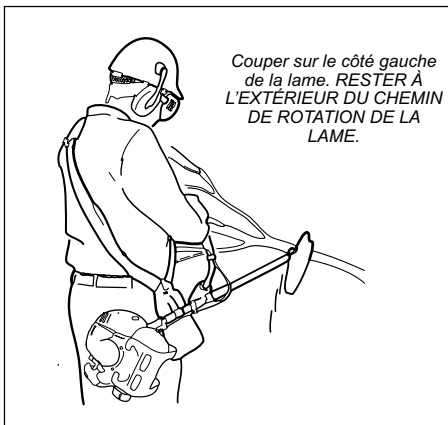


#### AVERTISSEMENT !

**NE PAS** utiliser de lame à deux dents ou de lame à quatre dents Shindaiwa non autorisée avec débroussailleuses Shindaiwa.

### Coupes verticales

Tenir la débroussailleuse avec la lame à un angle de 90° avec le sol, de façon à ce que le bord inférieur de la lame tourne vers l'utilisateur. Déplacer la lame de haut en bas sur la zone de coupe, et couper uniquement avec le bord inférieur de la lame.



#### AVERTISSEMENT !

Lors de coupes verticales, ne jamais soulever la lame plus haut qu'à hauteur de taille.



## Entretien

### IMPORTANT !

L'ENTRETIEN, LE REMPLACEMENT OU LA RÉPARATION D'UN DISPOSITIF DE CONTRÔLE DES ÉCHAPPEMENTS ET DES SYSTÈMES PEUT ÊTRE EFFECTUÉ PAR TOUT ÉTABLISSEMENT DE RÉPARATION OU INDIVIDU. CEPENDANT, LES RÉPARATIONS COUVERTES PAR LA GARANTIE DOIVENT ÊTRE EFFECTUÉES PAR UN DÉTAILLANT OU UN CENTRE DE RÉPARATION SHINDAIWA CORPORATION AGRÉÉ. L'UTILISATION DE PIÈCES DONT LE RENDEMENT ET LA DURABILITÉ NE SONT PAS ÉQUIVALENTS AUX PIÈCES UTILISÉES PEUT COMPROMETTRE L'EFFICACITÉ DU SYSTÈME ANTIPOLLUTION ET L'ACCEPTATION D'UNE DEMANDE DE RÉPARATION AU TITRE DE LA GARANTIE.

### REMARQUE

L'utilisation de pièces de remplacement non approuvées peut invalider la garantie Shindaiwa.



### AVERTISSEMENT !

Avant tout travail d'entretien, de réparation ou de nettoyage de l'appareil, s'assurer que le moteur et l'accessoire de coupe sont entièrement immobiles. Débrancher le fil de la bougie avant tout travail d'entretien ou de réparation.



### AVERTISSEMENT !

Les pièces non approuvées risquent de ne pas fonctionner correctement et de causer des dommages ou des blessures.

### Filtre à air

Le moteur C4 alimentant le modèle Swisher est un moteur hybride à 4 temps. En tant que moteur hybride, le moteur est lubrifié par un mélange d'huile, d'essence et d'air du carburateur se déplaçant à l'intérieur du moteur de la même façon que pour la lubrification d'un moteur à 2 temps. Sans le filtre à air à 2 niveaux de filtration haut rendement présent sur tous les moteurs C4, des particules de poussière et des saletés peuvent également se loger dans le moteur, réduisant la vie utile du moteur, accélérant l'usure des soupapes et entraînant la nécessité de régler le jeu des soupapes plus souvent. Pour que le moteur C4 reste puissant et fiable, Shindaiwa recommande de contrôler le filtre à air et procéder à son entretien selon les instructions de la section Entretien toutes les 10 heures ci-dessous.

### Silencieux

Ne jamais faire fonctionner l'appareil sans silencieux ou sans pare-étincelles ou s'ils sont endommagés. S'assurer que le silencieux est fixé correctement et en bon état. Un silencieux usé ou endommagé représente un risque d'incendie et peut causer la perte de l'ouïe.

### Bougie

Garder la bougie et les fils de connexion serrés et propres.

### Attaches

S'assurer que les écrous, boulons et vis (excepté les vis de réglage du carburateur) sont serrés.

## Entretien quotidien

Suivre la procédure suivante au début de chaque journée de travail :

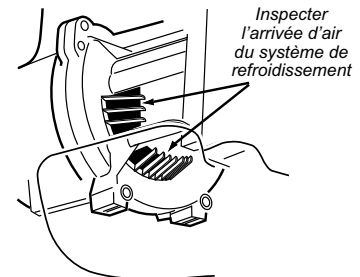
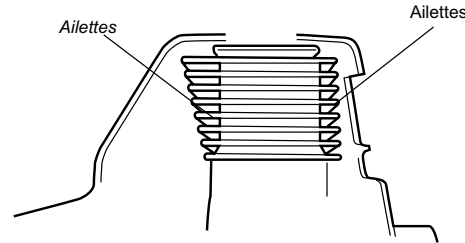
- Enlever la saleté et les débris sur le moteur, inspecter les ailettes de refroidissement et le filtre à air et les nettoyer au besoin.
- Enlever toute accumulation de saleté ou de débris du silencieux et du réservoir de carburant. Inspecter l'arrivée d'air du système de refroidissement à la base du carter de vilebrequin. Éliminer toute accumulation de débris. Les accumulations de saletés sur ces pièces peuvent causer la surchauffe du moteur, un incendie ou l'usure précoce de l'appareil



### AVERTISSEMENT !

Les lames de l'accessoire de coupe sont très tranchantes ! Toujours porter des gants pour travailler à proximité de l'accessoire de coupe.

- Lubrifier les lames avant chaque utilisation et après le remplissage. S'assurer que les lames ne sont ni endommagées, ni incorrectement ajustées



Enlever la saleté et les débris sur le moteur, et les ailettes de refroidissement

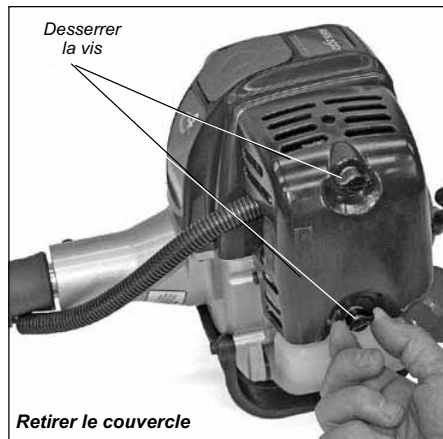
- Enlever toute accumulation de saletés ou de débris des lames de l'accessoire de coupe.
- Vérifier qu'aucune vis ou composante n'est desserrée ou manquante. S'assurer que l'accessoire de coupe est solidement fixé.
- Inspecter l'appareil entier afin de s'assurer qu'il n'existe aucune fuite de carburant ou d'huile.
- S'assurer que les écrous, boulons et vis (excepté les vis de réglage du carburateur) sont serrés.

## Entretien (suite)

### Entretien aux 10 heures

(plus souvent dans des conditions poussiéreuses)

1. Retirer le couvercle du filtre à air en desserrant la vis à ailettes située au bas du couvercle et en soulevant celui-ci.
2. Inspecter l'air l'élément plus propre. Si l'élément est endommagé ou est déformé, le remplace avec un nouveau l'un.
3. Nettoyer le pré-filtre avec de l'eau savonneuse. Laisser sécher avant de réinstaller.
4. Contrôler l'élément du filtre à air. En cas d'usure excessive de cet élément, le remplacer.
5. Taper doucement le filtre à air sur une surface dure afin d'en déloger les débris, ou souffler la face intérieure du filtre avec de l'air sous pression afin d'éliminer les débris accumulés sur la face extérieure de celui-ci.



#### IMPORTANT !

Diriger le souffle d'air sous pression uniquement vers la face intérieure du filtre !

6. Installer le filtre à air, le pré-filtre et le couvercle dans l'ordre inverse du démontage.

#### MISE EN GARDE !

Ne jamais utiliser la machine si le filtre à air est manquant ou endommagé !

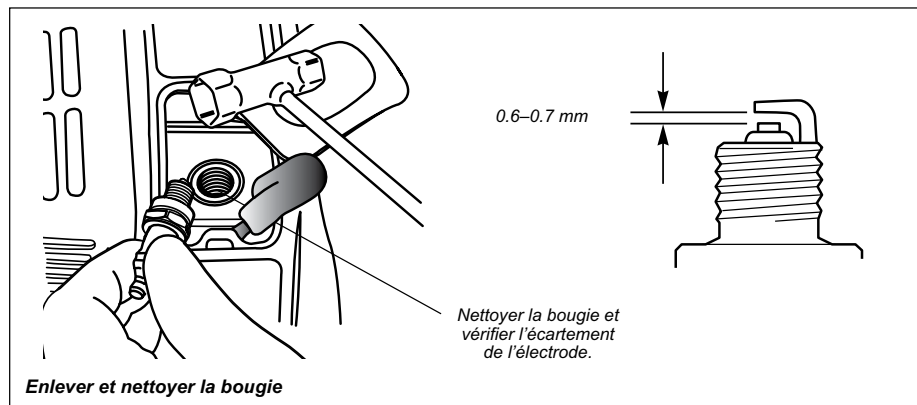
### Entretien aux 10 à 15 heures

Enlever et nettoyer la bougie.

- Enlever et nettoyer la bougie. Consulter la section "Caractéristiques techniques" pour le type correct de bougie d'allumage et pour l'écart d'électrode correct.

#### MISE EN GARDE !

Avant d'enlever la bougie, nettoyer l'aire autour de la bougie afin d'éviter que des saletés ou des poussières ne se logent à l'intérieur du moteur.



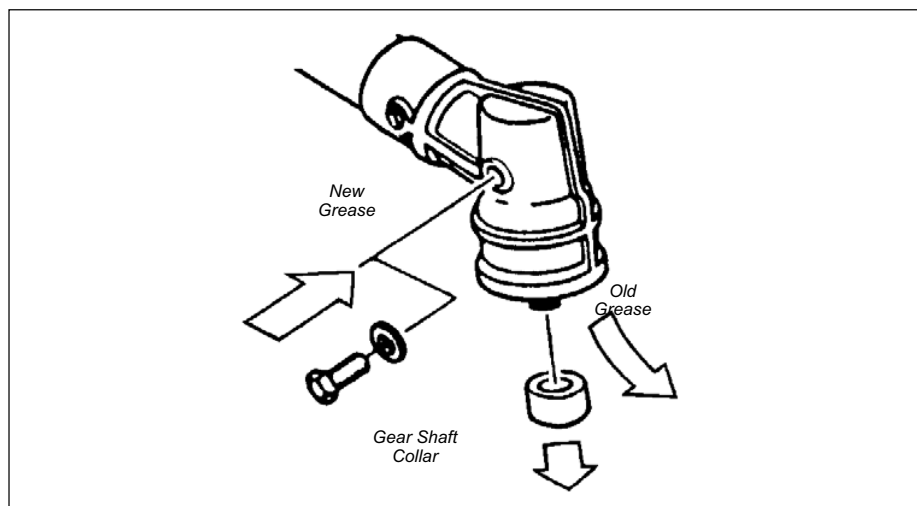
### Entretien aux 50 heures

(plus souvent dans des conditions poussiéreuses ou sales) :

- Enlever et nettoyer le couvercle du cylindre et enlever les accumulations d'herbe et la saleté logées dans les ailettes du cylindre.

Lubrifier le boîtier d'engrenages

- Ôter l'accessoire de coupe, le support de l'accessoire de coupe et le collier de l'arbre de transmission. Ôter le bouchon de remplissage et introduire la nouvelle graisse dans le boîtier d'engrenages jusqu'à ce que la graisse usée soit expulsée du boîtier d'engrenages.
- Utiliser uniquement une graisse à base de lithium (telle le lubrifiant pour boîtier d'engrenages de Shindaiwa ou un produit équivalent).
- Lubrifier les cannelures de l'axe principal.



## Entretien (suite)

### Entretien toutes les 50 heures (suite)

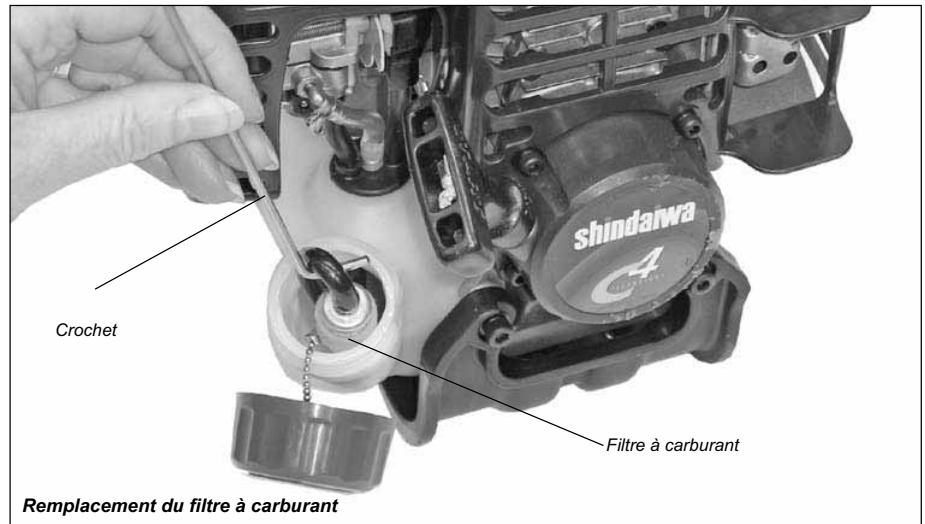
#### Remplacement du filtre à carburant

- Utiliser un crochet en fil de fer pour extraire la crépine de carburant du réservoir à carburant. Inspecter l'élément du filtre à carburant. S'il montre des signes de contamination par des débris, le remplacer par un élément de filtre à carburant Shindaiwa.

#### MISE EN GARDE !

Veiller à ne pas percer le conduit d'alimentation avec l'extrémité du fil croché. Le conduit est fin, et peut facilement être endommagé.

Avant de réinstaller le nouvel élément de filtre, contrôler l'état de toutes les composantes du système d'alimentation en carburant (conduite d'aspiration du carburant, conduite de retour du carburant, conduite de la mise à l'air libre, mise à l'air libre, bou-



Remplacement du filtre à carburant

chon du réservoir et réservoir à carburant). Si des dommages, des fissures ou d'autres détériorations sont visibles, ne pas utiliser

l'appareil tant qu'il n'a pas été inspecté par un technicien autorisé Shindaiwa.

### Entretien aux 139 heures

#### Entretien aux 139 heures, puis toutes les 150 heures ultérieures.

- La chambre de combustion doit être décalaminée et le jeu aux soupapes doit être réglé. Il est fortement recommandé de faire effectuer le réglage

par un technicien en réparation formé par Shindaiwa.

- Remplacer la bougie sur une base annuelle : Consulter la section "Caractéristiques techniques" pour le type cor-

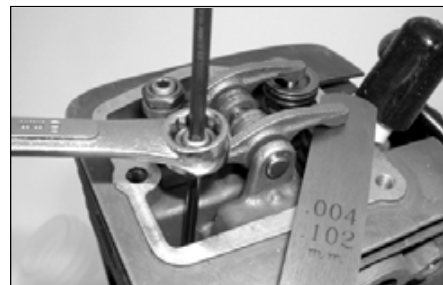
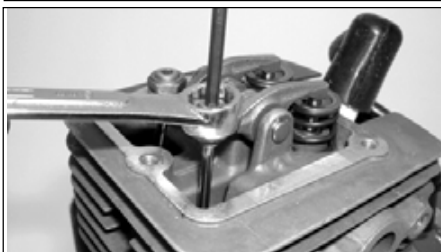
rect de bougie d'allumage et pour l'écart d'électrode correct..

#### Réglage du jeu des soupapes

1. Enlever le couvercle du cylindre, le cache-culbuteur et la bougie. Faire pivoter le vilebrequin tout en observant le piston par l'ouverture de la bougie. Quand le piston est en haut de course de compression (point mort haut), le jeu des soupapes peut être réglé.

#### MISE EN GARDE !

- Un réglage incorrect du jeu des soupapes peut rendre l'appareil difficile à démarrer et/ou risque d'endommager le moteur.
- En l'absence de connaissances sur ce moteur ou en cas d'incapacité d'effectuer cette opération, consulter un revendeur Swisher agréé.



2. Desserrer l'écrou du système de réglage de manière à ce que la vis de réglage à tête creuse hexagonale (Allen) de 2,5 mm puisse tourner librement.
3. Introduire une jauge d'épaisseur de 0,10 mm entre la pointe de la tige de soupape et le cache-culbuteur.
4. Serrer ou desserrer la vis de réglage (sens des aiguilles d'une montre = serrage, sens contraire des aiguilles d'une montre = desserrage) jusqu'à ce que la jauge d'épaisseur soit presque bloquée. Ensuite, serrer ou desserrer la vis de réglage de manière à pouvoir retirer la jauge en ne rencontrant qu'une résistance limitée.
5. Tout en maintenant la vis de réglage en position à l'aide d'une clé Allen, serrer l'écrou à l'aide d'une clé.



6. Faire tourner le moteur manuellement à plusieurs reprises, puis repositionner le piston en compression au point mort haut. Contrôler à nouveau à l'aide d'une jauge d'épaisseur adaptée afin de s'assurer que le réglage du jeu n'a pas été modifié lors du serrage de l'écrou. Régler à nouveau si nécessaire.
7. Reposer le joint du cache-culbuteur afin de garantir une étanchéité parfaite, puis remonter le cache-culbuteur.

#### IMPORTANT !

Si aucun nouveau joint n'est disponible et/ou l'ancien joint n'est pas endommagé, il est possible de réutiliser l'ancien joint. Ne jamais utiliser de joint fissuré ou endommagé !

## Entretien (suite)

### Entretien du silencieux

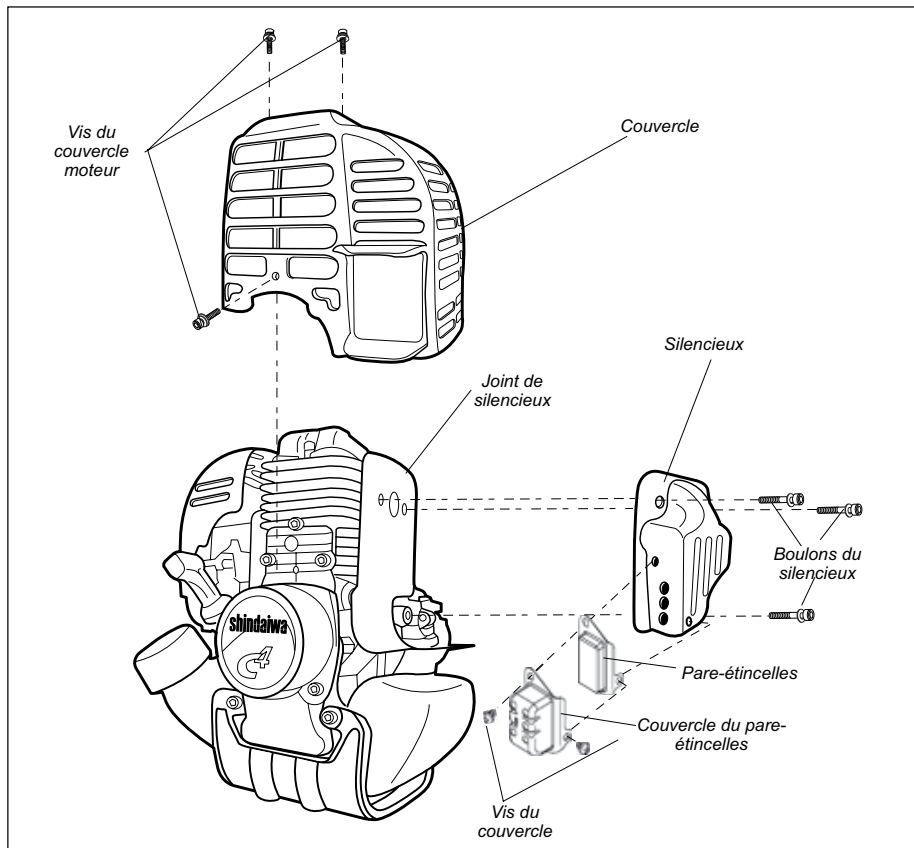
Si le moteur semble devenir peu réactif et manquer de puissance, inspecter et nettoyer le pare-étincelles.



#### AVERTISSEMENT !

Ne jamais faire fonctionner l'appareil sans silencieux ou sans pare-étincelles ou s'ils sont endommagés ! Si le pare-étincelles est endommagé ou absent, il est dangereux d'utiliser l'appareil car il pourrait prendre feu ou causer des troubles auditifs.

1. Avec une clé hexagonale de 3 mm, ôter les vis du couvercle moteur, ainsi que le couvercle moteur.
2. Avec une clé hexagonale de 4 mm, ôter les quatre boulons du silencieux, ainsi que le silencieux.
3. Avec un petit tournevis plat, retirer les deux vis maintenant le pare-étincelles et le couvercle sur le silencieux.
4. Retirer le pare-étincelles et le nettoyer à l'aide d'une brosse à poils durs.
5. Inspecter l'orifice d'échappement du cylindre afin d'y déceler une éventuelle accumulation de calamine.
6. Réinstaller le pare-étincelles, le silencieux et le couvercle moteur dans l'ordre inverse du démontage.



#### IMPORTANT !

En cas d'accumulation excessive de calamine, consulter un représentant autorisé Shindaiwa.

## Remisage à long terme

Si l'appareil doit être remisé plus de 30 jours, suivre la procédure suivante pour le préparer au remisage :

- Nettoyer les pièces des parties externes.
- Purger le carburant du carburateur et du réservoir à carburant.

Pour ce faire :

1. Appuyer sur la pompe d'amorçage jusqu'à ce qu'elle ne fasse plus circuler de carburant.
2. Démarrer et laisser fonctionner le moteur jusqu'à ce qu'il s'arrête de lui-même.
3. Répéter les étapes 1 et 2 jusqu'à ce que le moteur refuse de démarrer.

#### MISE EN GARDE !

Le carburant laissé dans le carburateur pendant une période prolongée peut nuire au démarrage et accroître les coûts de service et d'entretien.

#### IMPORTANT !

Stabiliser le carburant remisé à l'aide d'un produit adapté, tel STA-BIL®.

#### REMARQUE

Les dommages causés par vicié ou contaminé le carburant n'est pas couverte par la garantie Shindaiwa politique.

- Retirer la bougie et verser environ 7 mL (.25 oz.) d'huile pour moteur à deux temps dans le cylindre, par l'orifice de la bougie. Tirer lentement sur le lanceur à rappel à deux ou trois reprises pour enduire uniformément les parois du cylindre. Réinstaller la bougie.
- Toujours réparer une pièce endommagée ou usée avant le remisage.
- Enlever le filtre à air du carburateur et le nettoyer soigneusement avec de l'eau savonneuse. Laisser sécher avant de réinstaller le filtre à air.
- Remiser l'appareil dans un endroit propre et sans poussière.

## Entretien (suite)

### Affûtage de la lame



#### AVERTISSEMENT !

Porter des gants lors de la manipulation ou de l'entretien de la lame.

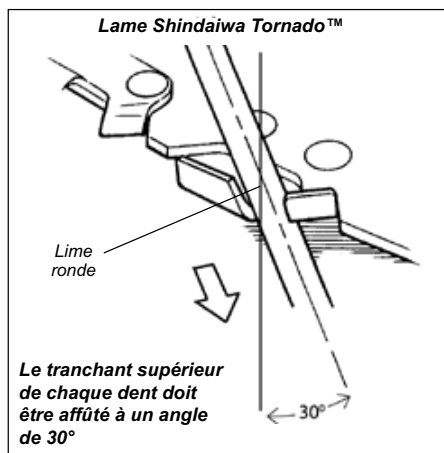
Lorsque les arêtes tranchantes des gouges de la chaîne s'émousent, les affûter à l'aide d'une lime.

Affûter les arêtes tranchantes de la lame uniformément pour que la lame reste équilibrée..



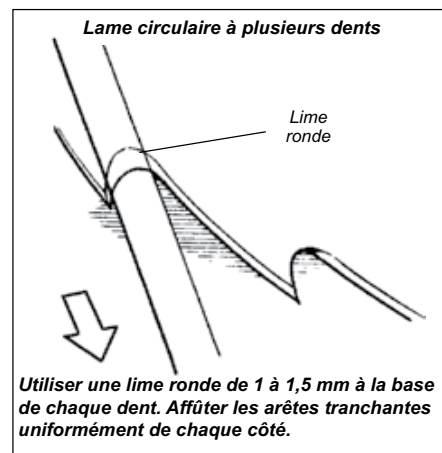
#### AVERTISSEMENT !

Affûter uniquement les coupeaux d'une lame. N'altérer les contours de la lame en aucune façon.



#### Lame Shindaiwa Tornado™

Pour affûter les gouges de la lame Shindaiwa Tornado™, utiliser une lime ronde de 4,5 mm. Affûter le tranchant supérieur de chaque dent en lame de rasoir. Le tranchant supérieur de chaque dent doit être affûté à un angle de 30°.



#### Lame circulaire à plusieurs dents

Utiliser une lime ronde de 1 à 1,5 mm à la base de chaque dent. Affûter les arêtes tranchantes uniformément de chaque côté.

Points à contrôler	Cause probable	Solution
<p><b>Le moteur démarre-t-il bien ?</b></p> <p><b>NON</b> →</p> <p><b>OUI</b> ↓</p>	<p>Lanceur à rappel défectueux.</p> <p>Liquide dans le carter de vilebrequin.</p> <p>Bris interne.</p>	<p>Consulter un représentant autorisé.</p>
<p><b>Y a-t-il une bonne compression ?</b></p> <p><b>NON</b> →</p> <p><b>OUI</b> ↓</p>	<p>Bougie desserrée.</p> <p>Usure excessive du cylindre, du piston, des segments.</p>	<p>Serrer et revérifier.</p> <p>Consulter un représentant autorisé.</p>
<p><b>Le réservoir contient-il de l'essence propre de grade approprié ?</b></p> <p><b>NON</b> →</p> <p><b>OUI</b> ↓</p>	<p>Essence souillée, éventée ou de mauvaise qualité ; mélange incorrect.</p>	<p>Remplir avec de l'essence sans plomb propre, dont l'indice d'octane à la pompe est égal ou supérieur à 87, mélangée avec de l'huile pour moteur à deux temps de première qualité selon un rapport de 50 :1.</p>
<p><b>L'essence est-elle visible dans le tuyau de renvoi lors de l'amorçage ?</b></p> <p><b>NON</b> →</p> <p><b>OUI</b> ↓</p>	<p>Vérifier si le filtre à essence et/ou l'orifice d'aération sont encrassés.</p>	<p>Remplacer le filtre à essence ou le reniflard au besoin. Redémarrer.</p>
<p><b>Y a-t-il une étincelle à la borne du fil de bougie ?</b></p> <p><b>NON</b> →</p> <p><b>OUI</b> ↓</p>	<p>Le commutateur se trouve sur la position « Arrêt » (« O »).</p> <p>Mauvaise mise à la masse.</p> <p>Transistor défectueux.</p>	<p>Placer le commutateur en position de marche (« I ») et redémarrer.</p> <p>Consulter un représentant autorisé Shindaiwa.</p>
<p><b>Vérifier la bougie.</b></p>	<p>Si la bougie est humide, il y a peut-être un excédent d'essence dans le cylindre.</p> <p>La bougie peut être encrassée ou mal ajustée.</p> <p>La bougie peut être brisée ou de catégorie inappropriée.</p>	<p>Lancer le moteur sans la bougie, remettre la bougie en place et redémarrer.</p> <p>Nettoyer et régler l'écartement de la bougie. Consulter la section " <i>Caractéristiques techniques</i> " pour l'écart d'électrode correct. Redémarrer.</p> <p>Remplacer la bougie. Consulter la section " <i>Caractéristiques techniques</i> " pour le type correct de bougie. Redémarrer.</p>

Points à contrôler	Cause probable	Solution
<p>Le moteur surchauffe-t-il ?</p>	<p>Utilisation abusive de l'appareil. Le mélange du carburateur est trop pauvre. Rapport huile / essence inapproprié.  Ventilateur, boîtier de ventilation, ailettes du cylindre sales ou endommagés.</p>	<p>Ralentir le régime de coupe. Consulter un représentant autorisé.  Remplir avec de l'essence sans plomb propre, dont l'indice d'octane à la pompe est égal ou supérieur à 87, mélangée avec de une huile de première qualité selon un rapport de 50 :1.  Nettoyer, réparer ou remplacer selon le cas.</p>
<p>Le moteur fonctionne de façon brusque à tous les régimes. Présence éventuelle de fumée d'échappement noire et / ou d'essence non brûlée à l'échappement.</p>	<p>Dépôts de calamine dans la chambre de combustion. Filtre à air obstrué. Bougie desserrée ou endommagée.  Fuite d'air ou conduite d'essence obstruée. Eau dans l'essence. Grippage du piston. Carburateur et / ou diaphragme défectueux.</p>	<p>Consulter un représentant autorisé. Nettoyer ou remplacer le filtre à air. Resserrer ou remplacer la bougie. Consulter la section " <i>Caractéristiques techniques</i> " pour le type correct de bougie d'allumage. Redémarrer. Réparer ou remplacer le filtre et/ou la conduite d'essence. Remplir avec un mélange huile/ essence récent. Consulter un représentant autorisé.</p>
<p>Le moteur cogne.</p>	<p>Surchauffe Essence inappropriée.  Dépôts de calamine dans la chambre de combustion.</p>	<p>Voir ci-dessus. Vérifier l'indice d'octane, vérifier si l'essence contient de l'alcool. Remplir selon le besoin. Consulter un représentant autorisé.</p>

Français



Points à contrôler	Cause probable	Solution
Faible accélération.	<ul style="list-style-type: none"> <li>Filtre à air obstrué.</li> <li>Filtre à essence obstrué.</li> <li>Frein de chaîne engagé.</li> <li>Mélange essence/air pauvre.</li> <li>Régime de ralenti trop bas.</li> </ul>	<ul style="list-style-type: none"> <li>Nettoyer ou remplacer le filtre à air.</li> <li>Remplacer le filtre à essence.</li> <li>Inspecter et/ou tester le frein. Consulter un représentant autorisé.</li> <li>Consulter un représentant autorisé.</li> <li>Régler le régime du ralenti aux valeurs inscrites dans la section de Spécifications.</li> </ul>
Le moteur s'arrête brusquement.	<ul style="list-style-type: none"> <li>Commutateur en position d'arrêt.</li> <li>Réservoir à essence vide.</li> <li>Filtre à essence obstrué.</li> <li>Bougie court-circuitée ou mauvaise connexion.</li> <li>Eau dans l'essence.</li> <li>Échec d'allumage.</li> <li>Grippage du piston.</li> </ul>	<ul style="list-style-type: none"> <li>Remettre le contact et redémarrer.</li> <li>Faire le plein. Consulter la section " Remplissage du réservoir de carburant ".</li> <li>Remplacer le filtre à essence.</li> <li>Nettoyer ou remplacer la bougie. Consulter la section " Caractéristiques techniques " pour le type correct de bougie d'allumage. Resserrer la borne.</li> <li>Vidanger le réservoir et faire le plein avec de l'essence propre. Consulter la section " Mélange de carburant "</li> <li>Remplacer le système d'allumage.</li> <li>Consulter un représentant autorisé.</li> </ul>
Moteur difficile à arrêter.	<ul style="list-style-type: none"> <li>Fil de masse (d'arrêt) débranché, ou commutateur défectueux.</li> <li>Bougie inappropriée entraînant une surchauffe.</li> <li>Surchauffe du moteur.</li> </ul>	<ul style="list-style-type: none"> <li>Vérifier et remplacer au besoin.</li> <li>Remplacer la bougie. Consulter la section " Caractéristiques techniques " pour le type correct de bougie d'allumage.</li> <li>Laisser refroidir le moteur en le laissant tourner au ralenti.</li> </ul>
L'accessoire de coupe tourne même si le moteur est au ralenti.	<ul style="list-style-type: none"> <li>Régime de ralenti trop élevé.</li> <li>Ressort d'embrayage défectueux ou moyeu usé.</li> <li>Support de l'accessoire desserré.</li> </ul>	<ul style="list-style-type: none"> <li>Régler le régime du ralenti aux valeurs inscrites dans la section de Spécifications.</li> <li>Remplacer le ressort / les moyeux au besoin et vérifier la vitesse de ralenti.</li> <li>Inspecter et resserrer les vis.</li> </ul>
Vibration excessive.	<ul style="list-style-type: none"> <li>Accessoire de coupe déformé ou endommagé.</li> <li>Boîtier d'engrenages desserré.</li> <li>Axe d'entraînement courbé/bagues usées.</li> <li>Le fil de coupe est incorrectement enroulé autour de la bobine.</li> </ul>	<ul style="list-style-type: none"> <li>Examiner et remplacer l'accessoire de coupe au besoin.</li> <li>Serrer le boîtier réducteur.</li> <li>Inspecter et remplacer, si nécessaire.</li> <li>Rembobiner le fil de coupe.</li> </ul>
L'accessoire de coupe ne tourne pas.	<ul style="list-style-type: none"> <li>L'axe n'est pas installé dans la tête motorisée ou le boîtier réducteur.</li> <li>Axe brisé.</li> <li>Boîtier réducteur endommagé.</li> </ul>	<ul style="list-style-type: none"> <li>Inspecter et réinstaller au besoin.</li> <li>Consulter un représentant autorisé.</li> </ul>

# Déclaration de garantie du dispositif antipollution

## Vos droits et obligations en vertu de la garantie

Le California Air Resources Board, l'Agence de protection de l'environnement des États-Unis (EPA) et Shindaiwa Corporation sont heureux de vous expliquer la garantie du système de contrôle des émissions de gaz d'échappement et d'évaporation sur votre nouveau petit moteur hors route.

En California, les nouveaux moteurs d'utilitaires doivent être conçus, construits et équipés de manière à répondre aux normes antipollution les plus strictes de cet État. Dans les autres États, les moteurs d'utilitaires fabriqués après 1997 doivent être conformes aux normes les plus contraignantes de l'EPA. Shindaiwa Corporation doit garantir le système antipollution de l'outil pour les périodes susmentionnées sauf en cas d'abus, de négligence ou d'entretien inadéquat.

Le système de contrôle des émissions de gaz d'échappement et d'évaporation de votre moteur inclut des pièces telles que le carburateur, le réservoir de carburant, le système d'allumage et, le cas échéant, le pot catalytique. Ces composantes sont énumérées ci-dessous.

Lorsque la garantie s'applique, Shindaiwa Corporation s'engage à réparer l'appareil gratuitement, y compris le coût du diagnostic, des pièces et de la main-d'œuvre.

## Couverture de la garantie des fabricants

La garantie du dispositif antipollution du moteur couvre l'appareil pendant une durée de deux ans à compter de la date de livraison quand il est vendu aux États-Unis. Pendant la période de garantie, Shindaiwa Corporation peut, à sa discrétion, réparer ou remplacer toute composante défectueuse du dispositif antipollution. Pendant la période de garantie originale, les droits sont réputés transférés aux propriétaires subséquents du produit.

## Couverture de la garantie

1. Composantes internes du carburateur.
  - Soupape d'accélérateur, pointeau du jet principal, membrane
2. Réservoir de carburant
3. Composants du système d'allumage
  - Bobine d'allumage
  - Volant
4. Pot catalytique (si présent à l'origine)

Le dispositif antipollution de votre appareil Shindaiwa peut également comprendre certains tubes et connecteurs.

## Responsabilités du propriétaire à l'égard de la garantie

En tant que propriétaire de l'appareil, vous êtes responsables d'effectuer l'entretien requis dans le manuel d'utilisation. Shindaiwa Corporation recommande de conserver tous les reçus d'entretien de l'appareil ; toutefois, Shindaiwa Corporation ne peut refuser une réclamation au titre de la garantie par défaut de soumettre les reçus d'entretien ou d'avoir effectué les entretiens recommandés. Shindaiwa Corporation se réserve le droit de refuser toute réclamation au titre de la garantie si l'appareil ou une pièce a fait défaut en raison d'abus, de négligence, d'entretien inadéquat ou de modifications non approuvées. Le propriétaire de l'appareil est responsable de consulter un technicien agréé de Shindaiwa Corporation en cas de problème. Les travaux au titre de la garantie doivent être terminés dans un délai raisonnable qui ne dépasse pas 30 jours.

Pour toute question sur vos droits et obligations au titre de la garantie, contactez un représentant du service à la clientèle Shindaiwa au numéro suivant : (503) 692-3070 ou le distributeur Shindaiwa de votre localité.

## Dommages indirects

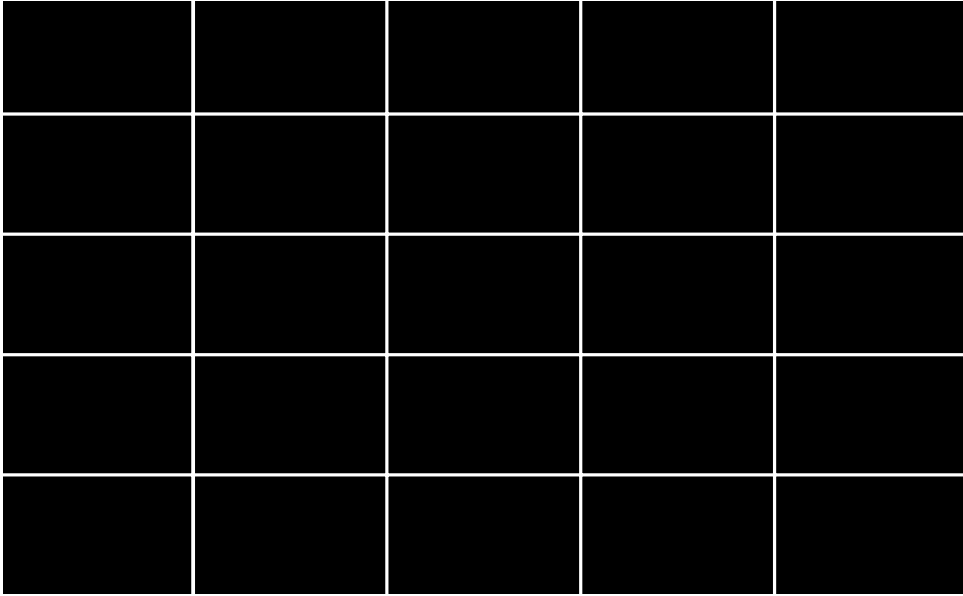
Dans l'éventualité où d'autres composantes du produit seraient endommagées en raison d'une défaillance d'une pièce couverte par la garantie, Shindaiwa Corporation réparera ou remplacera lesdites composantes gratuitement.

## Exclusions

5. Défaillances attribuables à de l'abus, de la négligence ou un entretien inadéquat.
6. Défaillances causées par l'utilisation de pièces ou d'accessoires modifiés ou non approuvés.

## La présente garantie est administrée par

Shindaiwa Inc.  
11975 S.W. Herman Rd.  
Tualatin, OR 97062  
États-Unis  
(503) 692-3164



**shindaiwa®**

Shindaiwa Inc.  
11975 S.W. Herman Rd.  
Tualatin, Oregon 97062  
Telephone: 503 692-3070  
Fax:503 692-6696  
[www.shindaiwa.com](http://www.shindaiwa.com)

Shindaiwa Corporation  
Head Office: 6-2-11 Ozuka  
Nishi, Asaminami-Ku  
Hiroshima, 731-3167, Japan  
Telephone: 81-82-849-2220  
Fax:81-82-849-2481

©2009 Shindaiwa, Inc.

Shindaiwa is a registered trademark of Shindaiwa, Inc.  
Specifications subject to change without notice.

## Free Manuals Download Website

<http://myh66.com>

<http://usermanuals.us>

<http://www.somanuals.com>

<http://www.4manuals.cc>

<http://www.manual-lib.com>

<http://www.404manual.com>

<http://www.luxmanual.com>

<http://aubethermostatmanual.com>

Golf course search by state

<http://golfingnear.com>

Email search by domain

<http://emailbydomain.com>

Auto manuals search

<http://auto.somanuals.com>

TV manuals search

<http://tv.somanuals.com>