



### MODELS SM48 AND SM48S UNIDIRECTIONAL DYNAMIC MICROPHONES

Shure Models SM48 and SM48S unidirectional dynamic microphones are designed for professional sound reinforcement, studio recording, and broadcasting applications. They maintain a true cardioid pattern throughout their frequency range, ensuring high gain before feedback and rejection of off-axis sound. The tailored frequency response is ideal for vocals. A presence rise brightens mid-range performance, and a low frequency rolloff controls proximity effect.

Both models include a shock mounted cartridge, a steel mesh grille, and an integral “pop” filter. The SM48S also includes a lockable On/Off switch.

Each microphone is supplied with an adjustable stand adapter and a zippered carrying/storage bag. Cables are available separately.

#### FEATURES

- *Cardioid pickup pattern rejects off-axis sound and provides superior gain before feedback*
- *Frequency response tailored for vocals, with brightened mid-range and bass rolloff to control proximity effect*
- *Shock-mounted cartridge for exceptional ruggedness and reduced handling noise*
- *Built-in “pop” filter that reduces explosive breath sounds and wind noise*
- *Supplied stand adapter and carrying/storage bag*
- *Lockable On/Off switch (SM48S only)*
- *Legendary Shure quality and ruggedness*

#### VARIATIONS

- SM48
- SM48S (with lockable On/Off switch)

### SPECIFICATIONS

#### Type

Dynamic

#### Frequency Response

55 to 14,000 Hz (see Figure 1)

#### Polar Pattern

Cardioid (unidirectional) rotationally symmetrical about microphone axis, uniform with frequency (see Figure 2)

#### Impedance

Microphone rating impedance is 150 Ω (270 Ω actual) for connection to microphone inputs rated at 19 to 300 Ω

#### Output Level (at 1,000 Hz)

Open Circuit Voltage: \*.....-57.5 dBV/Pa (1.3 mV)

\*1 Pa = 94 dB SPL

#### Connector

XLR professional audio

#### Polarity

Positive pressure on diaphragm produces positive voltage on pin 2 with respect to pin 3. See Figure 3.

#### Dimensions

See Figure 4

#### Net Weight

370 grams (13.1 oz)

#### Packaged Weight

672 grams (1 lb, 8.5 oz)

### CERTIFICATIONS

Eligible to bear CE Marking. Conforms to European EMC Directive 89/336/EEC. Meets applicable tests and performance criteria in European Standard EN55103 (1996) parts 1 and 2, for residential (E1) and light industrial (E2) environments.

### FURNISHED ACCESSORIES

Swivel Adapter .....	A25D
Carrying/Storage Bag.....	26A13

### OPTIONAL ACCESSORIES

Windscreen .....	A58WS
Desk Stand.....	S37A, S39A
Isolation Mount .....	A55M, A55HM
Dual Mount.....	A26M
7.6 m Cable (25 ft) .....	C25F

### REPLACEMENT PARTS

Cartridge .....	R136
Screen and Grille Assembly.....	RK248G
Plug Assembly .....	RK40P
On/Off Switch.....	RK81S

### LOCKING THE ON/OFF SWITCH (SM48S ONLY)

To lock the On/Off switch in On position, remove the screw from the lockplate and rotate the lockplate 180°. Then reinstall the screw.

For additional service or parts information, please contact the Shure Service Department at 1-800-516-2525. Outside the United States, please contact your authorized Shure Service Center.



## MICROPHONES DYNAMIQUES UNIDIRECTIONNELS MODÈLES SM48 ET SM48S

### CARACTÉRISTIQUES

#### Type

Dynamique

#### Réponse en fréquence

55 à 14.000 Hz (voir la figure 1)

#### Dispersion

Carioïde (unidirectionnel) symétrique circulairement sur axe, uniforme avec la fréquence (voir la figure 2)

#### Impédance

L'impédance nominale est 150 Ω. (effective 270 Ω) pour entrées microphones données pour 19 à 300 Ω.

#### Niveau de sortie (à 1 kHz)

En circuit ouvert (voltage):\* . . . . . -57.5 dBV/Pa (1.3 mV)

\*1 Pa = 94 dB SPL

#### Polarité

Une pression positive produit une tension positive sur la broche 2 par rapport à la broche 3 (voir la figure 1)

#### Dimensions hors tout

Voir la figure 4

#### Poids net

370 grammes

### VARIATIONS

SM48

SM48S (avec interrupteur d'alimentation électrique)

### HOMOLOGATIONS

Autorisé à porter la marque CE. Conforme à la directive CEM européenne 89/336/CEE. Conforme aux critères applicables de test et de performances de la norme européenne EN 55103 (1996) parties 1 et 2 pour les environnements résidentiels (E1) et d'industrie légère (E2).

### ACCESSOIRES FOURNIS

Adaptateur pivotant ..... A25D

Sac de rangement ..... 26A13

### ACCESSOIRES EN OPTION

Bonnet ..... A58WS

Pied de table ..... S37A

Pied a montage anti-vibrations ..... S39A

Câble (7.6 m) ..... C25F

### PIÈCES DE RECHANGE

Cartouche ..... R136

Prise ..... RK40P

Grille avec écran ..... RK248G

Interrupteur Marche/Arrêt (SM48S) ..... RK81S

Pour tout renseignement complémentaire, prière de prendre, contact avec le service Entretien Shure au 1/800-516-2525. En dehors des États-Unis, prière de prendre contact avec le centre d'entretien agréé Shure local.

## DYNAMISCH RICHTMIKROFON MODELL SM48 UND SM48S

### TECHNISCHE DATEN

#### Wandlerprinzip

Dynamisch, Tauchspule

#### Frequenzgang

55...14.000 Hz (siehe Abbildung 1)

#### Richtcharakteristik

Nierenförmig, frequenz-unabhängig und symmetrisch zur Mikrofonachse (siehe Abbildung 2)

#### Impedanz

Die Nenn-impedanzen betragen 150 Ω. Vorgesehen für den Anschluss an niederohmige Mikrofoneingänge, die für Quellimpedanzen von 150 Ω bemessen sind.

#### Übertragungsfaktor (bei 1 kHz)

Feldleerlaufübertragungsfaktor\* ..... -57,5 dBV/Pa (1,3 mV)

\*1 Pa = 94 dB SPL

#### Polarität

Positiver Schalldruck ergibt positive Spannung am Anschlußstift 2, gemessen zum Anschlußstift 3 (siehe Abbildung 3)

#### Gesamtabmessungen

Siehe Abbildung 4

#### Nettogewicht

370 g

#### Schalter

SM48

SM48S (mit netz ein/aus-kopf)

### ZULASSUNG

Zur CE-Kennzeichnung berechtigt. Entspricht der EU-Richtlinie über elektromagnetische Verträglichkeit 89/336/EEC. Erfüllt die Prüfungs- und Leistungskriterien der europäischen Norm EN 55103 (1996) Teil 1 und 2 für Wohngebiete (E1) und Leichtindustrieregionen (E2).

### MITOELIEFERTES ZUBEHÖR

Stativhalterung ..... A25D

Tragetasche ..... 26A13

### SONDERZUBEHÖR

Windschutz ..... A58WS

Tischständer ..... S37A

Schwingungsisolierter Tischständer ..... S39A

Kabel ..... C25F

### ERSATZTEILE

Kapsel ..... R136

Anschlusskupplung ..... RK40P

Einsprechkorb ..... RK248G

Ein-/Ausschalter (SM48S) ..... RK81S

Weitere Informationen hinsichtlich Service oder Ersatzteile erhalten Sie vom Shure-Zentral-Kundendienst unter der Nummer 1-800-516-2525. Außerhalb der Vereinigten Staaten von Amerika wenden Sie sich Bitte an das entsprechende autorisierte Service-Center Ihres Landes.

## MICROFONO DINAMICO UNIDIRECCIONAL MODELOS SM48 Y SM48S

### CARACTERISTICAS

#### Tipo

Dinámico

#### Respuesta a Frecuencias

55 a 14.000 Hz (vea la Figura 1)

#### Dispersión Polar

Cardioide (unidireccional), uniforme respecto a la frecuencia y simétrica respecto al eje (vea la Figura 2)

#### Impedancia

La impedancia especificada es de 150  $\Omega$  (270  $\Omega$  efectivos) para su conexión a entradas de micrófono especificadas entre 19 y 300  $\Omega$ .

#### Nivel de salida (a 1 kHz)

Tensión en circuito abierto\* ..... -57,5 dBV/Pa (1,3 mV)

\*1 Pa = 94 dB SPL

#### Polaridad

La presión positiva produce un voltaje positivo en el pin 2 respecto al 3 (vea la Figura 3)

#### Dimensiones totales

Vea la Figura 4

#### Peso neto

370 g

#### Variaciones

SM48

SM48S (con interruptor de encendido)

### CERTIFICACIONES

Califica para llevar las marcas CE. Cumple la directiva europea 89/336/EEC de compatibilidad electromagnética. Se ajusta a los criterios correspondientes de verificación y funcionamiento establecidos en la norma europea EN 55103 (1996), partes 1 y 2, para zonas residenciales (E1) y zonas de industria ligera (E2).

### ACCESORIOS SUMINISTRADOS

Abrazadera ..... A25D  
Bolsa de transporte..... 26A13

### ACCESORIOS OPCIONALES

Pantalla antiviento ..... A58WS  
Pié de sobremesa ..... S37A  
Pié con aislador de vibraciones ..... S39A  
Cable (7.6 m)..... C25F

### REPUESTOS

Cápsula.....R136  
Enchufe .....RK40P  
Conjunto de protector y rejilla..... RK248G  
Interruptor (SM48S).....RK81S

Para información adicional acerca del servicio o de partes, llame al Departamento de Servicio Shure a 1-800-516-2525. Fuera de los EE.UU., llame al servicentro autorizado de productos Shure.

## MICROFONO DINAMICO UNIDIREZIONALE MODELLO SM48 Y SM48S

### CARATTERISTICA

#### Tipo

Dinamico

#### Risposta in frequenza

Da 55 a 14.000 Hz (vedi Figura 1)

#### Diagrammi Polare

Cardioide (unidirezionale), uniforme rispetto all'asse del microfono, uniforme con la frequenza (vedi Figura 2)

#### Impedenza

Valore nominale: 150  $\Omega$  (270  $\Omega$  effettivi) per il collegamento a ingressi microfonici con bassi valori nominali di impedenza (19-300  $\Omega$ ).

#### Livelli di uscita (a 1.000 Hz)

Tensione a circuito aperto\*: ..... -57,5 dBV/Pa (1,3 mV)

\*1 Pa = 94 dB SPL

#### Polarità

Una pressione positiva sul diaframma produce una tensione positiva al piedino 2 rispetto al piedino 3 (vedi Figura 3)

#### Dimensioni totali

Vedi Figura 4

#### Peso netto

370 g

#### Variazioni

SM48

SM48S (con interruttore di alimentazione ON/OFF)

### OMOLOGAZIONI

Contrassegnabile con il marchio CE. Conforme alla direttiva europea sulla compatibilità elettromagnetica 89/336/CEE. Conforme ai criteri sulle prestazioni e alle prove pertinenti specificati nella norma europea EN 55103 (1996) parti 1 e 2, per ambienti residenziali (E1) e industriali leggeri (E2).

### ACCESSORI IN DOTAZIONE

Adattore regolabile ..... A25D  
Borsa ..... 26A13

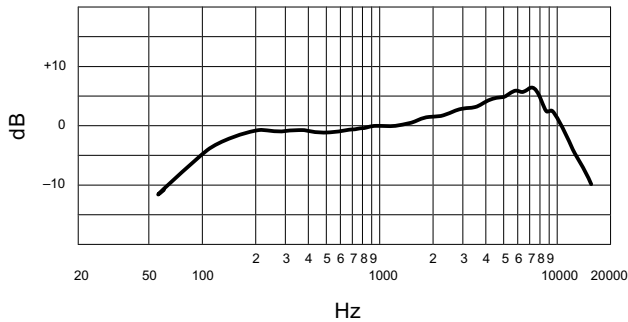
### ACCESSORI OPTIONAL

Schemo antiviento..... A58WS  
Base da tavolo .....S37A  
Adattore antivibrazioni .....S39A  
Cavo (7.6 m).....C25F

### RECAMI

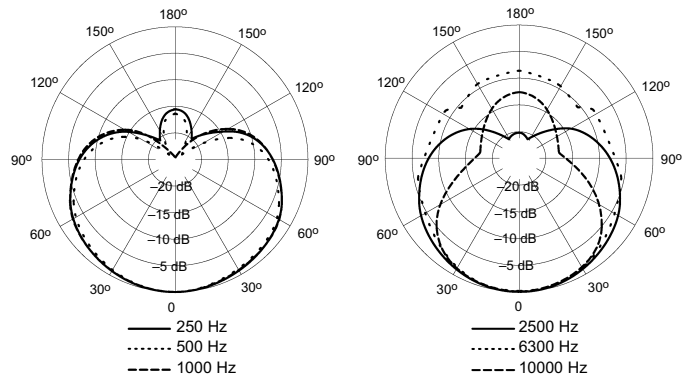
Cartuccia.....R136  
Connettore..... RK40P  
Gruppo griglia e schemo .....RK248G  
Interruttore (SM48S).....RK81S

Per ulteriori informazioni sui ricambi o per assistenza, chiamare l'assistenza clienti della Shure al numero verde 1-880-516-2525 (solo negli stati Uniti). Fuori dagli Stati Uniti rivolgersi al rivenditore o ad un centro di assistenza autorizzato.



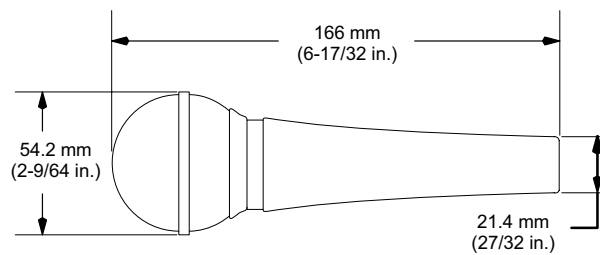
TYPICAL FREQUENCY RESPONSE  
 COURBE DE REPOSE TYPIQUE  
 TYPISCHES FREQUENZVERHALTEN  
 RESPUESTA DE FRECUENCIA TIPICA  
 TIPICA RISPOSTA IN FREQUENZA

FIGURE 1 – ABBILDUNG 1 – FIGURA 1



TYPICAL POLAR PATTERNS  
 COURBE DE DIRECTIVITE TYPQUES  
 TYPISCHE POLARCHARAKTERISTIK  
 PATRONES DE CAPTACION POLAR TIPICOS  
 TIPICI DIAGRAMMI POLARI

FIGURE 2 – ABBILDUNG 2 – FIGURA 2

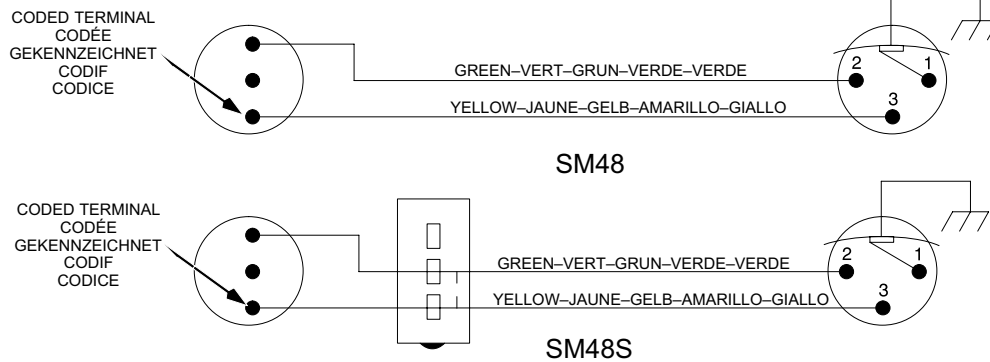


OVERALL DIMENSIONS – DIMENSIONS HORS TOUT  
 GESAMTABMESSUNGEN – DIMENSIONES TOTALES – DIMENSIONI TOTALI

FIGURE 3 – ABBILDUNG 3 – FIGURA 3

CARTRIDGE – CARTOUCHE – KAPSEL  
 CÁPSULA – CARTUCCIA

CONNECTOR – PRISE – ANSCHLUßKUPPLUNG  
 ENCHUFE – CONNETTORE



INTERNAL CONNECTIONS – CONNEXIONES INTERNES  
 INTERNE SCHALTUNGEN – CONEXIONES INTERNAS  
 COLLEGIAMENTI INTERNI

FIGURE 4 – ABBILDUNG 4 – FIGURA 4



SHURE Incorporated <http://www.shure.com>  
 United States, Canada, Latin America, Caribbean:  
 5800 W. Touhy Avenue, Niles, IL 60714-4608, U.S.A.  
 Phone: 847-600-2000 U.S. Fax: 847-600-1212 Intl Fax: 847-600-6446  
 Europe, Middle East, Africa:  
 Shure Europe GmbH, Phone: 49-7131-72140 Fax: 49-7131-721414  
 Asia, Pacific:  
 Shure Asia Limited, Phone: 852-2893-4290 Fax: 852-2893-4055

## Free Manuals Download Website

<http://myh66.com>

<http://usermanuals.us>

<http://www.somanuals.com>

<http://www.4manuals.cc>

<http://www.manual-lib.com>

<http://www.404manual.com>

<http://www.luxmanual.com>

<http://aubethermostatmanual.com>

Golf course search by state

<http://golfingnear.com>

Email search by domain

<http://emailbydomain.com>

Auto manuals search

<http://auto.somanuals.com>

TV manuals search

<http://tv.somanuals.com>