

Singer 127-3  
Singer 127-4

Form 19513

(440)

Printed in U. S. A.

# LIST OF PARTS



MACHINES  
Nos. 127-3 and 127-4

---

THE SINGER MANUFACTURING COMPANY

Genuine Singer Needles should be used  
in Singer Machines.  
These Needles and their Containers  
are marked with the  
Company's Trade Mark "SIMANCO." 1

Needles in Containers marked  
"For Singer Machines"  
are not Singer made needles. 2

## INDEX

	Page
Accessories.....	10
Attachment Set.....	10
Bias Gauge.....	10
Bobbin Winder.....	11
Braider.....	11
Buttonhole Attachment.....	11
Darning Foot (Spring).....	13
Edge Stitcher.....	13
Embroidery Attachment (for one thread).....	12
Embroidery Attachment (for two threads).....	12
Feed Cover Plate.....	14
Feller (Foot).....	14
Finger Guard.....	14
Hemmers (Foot).....	14
Hemstitching and Picoting Attachment.....	15
Machine No. 127-3.....	5
Machine No. 127-4.....	9
Needle Threader (Universal).....	16
Needle Threader and Seam Ripper.....	16
Numerical List of Parts.....	21
Presser Feet.....	17
Presser Foot with Graduated Adjustable Guides.....	16
Quilter.....	18
Replacement Parts for Hemstitching and Picoting Attachment No. 121387.....	15
Ruffler.....	19
Ruffler Shirring Plate (Universal).....	19
Singercraft Fagoter.....	18
Singercraft Guide No. 121079.....	18
Tubular Trimming Attachment.....	19
Under Braider.....	19
Zigzag Attachment.....	20

**INSTRUCTIONS FOR ORDERING**

In ordering from this list, use ONLY the part NUMBER in the FIRST column.

The number stamped on a Sewing Machine Part is in every case the number of the single part only.

Every combination of parts sent out as such has its specific number, which, although not stamped on the parts, must be used when ordering the combination.

Each number always indicates the SAME PART in whatever list it appears, or for whatever machine.

The letters after some of the numbers indicate the style of finish only, as follows:

- A-Hardened, Polished, Nickel Plated and Buffed
- A.A-Buffered and Chromium Plated
- A.B-Hardened, Polished, Buffed and Chromium Plated
- A.C-Brown Baking Enamel Finish
- A.D-Gray Baking Enamel Finish
- A.E-Hardened, Bright Rumbled and Nickel Plated
- A.F-Hardened, Bright Rumbled, Nickel Plated, Bright Rumbled and Chromium Plated
- B-Polished, Nickel Plated and Buffed
- C-Hardened Only
- C.R-Hardened and Merlized
- D-Polished Only
- E-Soft, Not Polished
- F-Hardened and Polished
- F.J-Hardened, Polished and Nickel Plated
- G-Bright Rumbled and Nickel Plated
- H-Blued
- J-Nickel Plated Only
- K-Hardened and Nickel Plated
- L-Brass Plated
- M-Oxidized
- N-Japaned, Dull
- P-Japaned, Bright
- P.P-Wrinkle Finish
- R-Merlized
- S-Cadmium Plated
- T-Copper Plated
- T.A-Hardened, Polished, Copper and Nickel Plated and Buffed
- T.B-Copper and Nickel Plated and Polished
- T.J-Copper and Nickel Plated Only
- T.K-Hardened, Copper and Nickel Plated
- T.L-Copper and Brass Plated
- T.M-Copper Plated and Oxidized
- U-Zinc Plated
- V-Silver Plated
- W-Polished and Nickel Plated
- X-Black Oxide, for Iron and Steel
- X.C-Hardened and Black Oxide, for Iron or Steel
- Y-Black Nickel Plated Only
- Z-Chromium Plated
- Z.A-Hardened, Polished, Nickel Plated, Buffed and Chromium Plated
- Z.B-Polished, Nickel Plated, Buffed and Chromium Plated
- Z.C-Hardened and Chromium Plated
- Z.D-Polished and Chromium Plated
- Z.G-Bright Rumbled, Nickel Plated, Bright Rumbled and Chromium Plated
- Z.J-Nickel and Chromium Plated
- Z.T-Copper and Chromium Plated

These letters MUST BE USED when they appear in the list; and AFTER the number as in the list.

In this series:

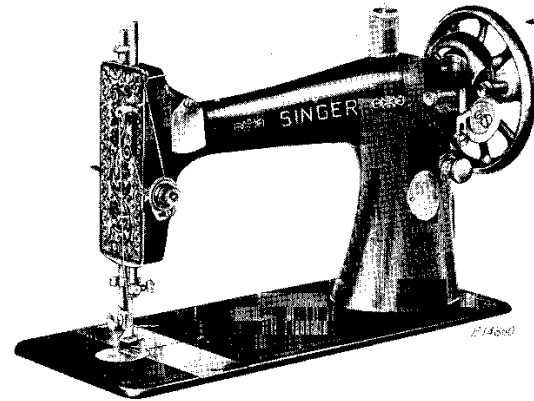
- 1 to 1500, 50001 to 51500 and 140001 to 142000 are Screw Numbers
- 1501 to 1800 and 51501 to 51800 are Nut Numbers
- 1801 to 2000 and 51801 to 52000 are Roller Numbers
- 2001 to 50000 and 52001 to 140000 and 142001 to 190000 are Sewing Machine Parts, 190001 and upward are numbers of Electrical Parts.

The figures in the second column refer only to the plates, illustrating the parts, and are NOT TO BE USED in ordering.

Parts marked with an asterisk (\*) are furnished only when repairs are made at factory.

**LIST OF PARTS COMPLETE**

FOR



**MACHINE No. 127-3**

**FOR FAMILY USE. VIBRATING SHUTTLE, WITH SHUTTLE EJECTOR.**

No.	Plate	Name
*55501	-----	Arm with 443A, 8206, 15404 and two 15405
2002	6801	" Dowel Pin.....
8203	6801	" Rock Shaft with 122E.....
122E	6801	" " " Adjusting Screw.....
8204	6801	" " " Center (upper).....
301C	6801	" " " Screw Center.....
55516	-----	" " " " " 301C with 1508J
1508J	6801	" " " " " Nut.....
649E	6801	" Screw.....
8341	6801	" Shaft.....
8206	6801	" " Bushing.....
443A	6801	" " " Set Screw.....
125425	6801	" Side Cover.....
51224B	6801	" " " Thumb Screw.....
2007	6801	" Spool Pin.....
8879	6801	" " " Washer (cloth).....

## PARTS FOR MACHINE No. 127-3

No.	Plate	Name
15282	6801	Balance Wheel, 2 1/4 in. pulley.....
*8328	-----	Bed.....
55515	6802	" Oil Hole (shuttle) Packing (braided cotton).....
256B	6801	Clamp Stop Motion Clamp Screw.....
248A	6801	" " " " Stop Screw.....
2020	6801	" " " " Washer.....
15313	6801	" " " Flanged Bushing with two 462C.....
462C	6801	Clamp Stop Motion Flanged Bushing Set Screw.....
15314	6801	Clamp Stop Motion complete, Nos. 248A, 256B, 2020 and 15313.....
8210	6802	Face Plate with 125423.....
219A	6802	" " Screw.....
125422	6802	" " Thread Guard.....
125423	-----	" " " " 125422 with 125424
125424	6802	" " " " Rivet.....
32562	6801	Feed Cam with 1285C.....
1285C	6801	" " Set Screw.....
8321	6802	Feed Dog, 12 teeth (16 teeth to the inch) four teeth right of needle (square corners) for 8323.....
8437	6801	Feed Dog Carrier.....
1833	6801	" " " Roller and Screw Stud..
315C	6801	" " " Screw Center.....
15445	-----	" " " " " 315C with 1519J.....
1519J	6801	Feed Dog Carrier Screw Center Nut.....
191J	6802	" " Screw.....
8348	6801	" Forked Connection with 175J.....
175J	6801	" " " Adjusting Screw..
1381K	6801	" " " Hinge Screw (eccentric).....
1520J	6801	Feed Forked Connection Hinge Screw Nut..
1832	6801	" " " Roller with 1085E
1085E	6801	" " " Screw Stud
253B	6801	" Regulating Thumb Screw.....
8216	6801	" Regulator.....
8217	6801	" " Friction Washer.....
42E	6801	" " Hinge Screw.....
8334	6801	" Rock Shaft.....
307C	6801	" " " Screw Center.....
56814	-----	" " " " " 307C with 1513J.....
1513J	6801	Feed Rock Shaft Screw Center Nut.....
51045C	6801	Machine Hinge Connection Set Screw.....
8221	6803	Needle Bar.....
8222	6803	" " Cam with 175E and 400K.....
175E	6803	" " " Clamping Screw.....

## PARTS FOR MACHINE No. 127-3

No.	Plate	Name
400K	6803	Needle Bar Cam Guide Adjusting Screw....
233B	6803	" " " Position Screw.....
1836	6803	" " " Roller and Screw Stud....
8338	6803	" " " Thread Guard.....
249A	6803	" " " " and Needle Stop Screw.....
2054	6803	Needle Clamp with 552C.....
552C	6803	" " Thumb Screw.....
8224	6803	Presser Bar.....
55507	6803	" " Guide Bracket with 400K and 453C.....
400K	6803	Presser Bar Guide Bracket Adjusting Screw.....
453C	6803	Presser Bar Guide Bracket Set Screw....
54503	6803	" " Lifter.....
97E	6803	" " " Screw.....
8225	6803	" " Spring.....
2070	6803	" " Washer.....
8337	6803	" Foot.....
51224B	6803	" " Thumb Screw.....
263B	6803	Pressure Regulating Thumb Screw.....
8444	6801	Shuttle Bell Crank.....
50036B	6801	" " " Hinge Screw.....
8228	6802	Shuttle Bobbin.....
215H	6802	" Tension Regulating Screw.....
8326	6802	" " Spring.....
54505	6802	Shuttle complete, Nos. 215H, 8228 and 8326
54527	6802	" Carrier.....
54507	6802	Shuttle Carrier complete, Nos. 50126E, 54510, 54511 and 54527.....
231K	6802	Shuttle Carrier Screw.....
54510	6802	" Ejector.....
50126E	6802	" " Hinge Screw.....
54511	6802	" " Spring.....
8232	6801	" Pitman with two 175J.....
175J	6801	" " Adjusting Screw.....
44A	6801	" " Screw Stud.....
520C	6801	" " " " (eccentric)...
1520J	6801	" " " " " Nut
216K	6801	" " " " " Screw
55503	6802	" Slide (back).....
55504	6802	" " (front).....
2102	6802	Tension Disc.....
1560B	6802	" Regulating Thumb Nut.....
32572	6802	" Releasing Disc.....
55505	6803	" " Lever.....
55506	6803	" " " Hinge Pin.....
12329	6803	" " " Spring.....
54515	6802	" " Pin.....
1274E	6802	" Screw Stud.....
8238	6802	" Spring.....

No.	Plate	Name
*55520	-----	Tension complete, Nos. 1274E, 1560E, 823B, 8244, 32572, 54515 and two 2102.....
26075	6803	Thread Cutter and Holder.....
55521	6801	" Take-up Cam with two 448C.....
448C	6801	" " " Set Screw.....
55526	6803	" " Lever with 1822 and 50527C.....
8243	6803	" " " Cover.....
107B	6803	" " " Hinge Screw....
50527C	6803	" " " Hinge Screw.....
1822	6803	" " " Roller and Stud....
8244	6802	" " Spring.....
54530	6802	" " " Regulator Plate....
233B	6802	" " " " " Ad-justing Screw.....
8323	6802	Throat Plate for 8321.....
219A	6802	" " Screw.....
*15404	-----	Trade Mark.....
15405	-----	" " Rivet.....

Genuine Singer Needles should be used  
in Singer Machines.  
These Needles and their Containers  
are marked with the  
Company's Trade Mark "SIMANCO." 1

Needles in Containers marked  
"For Singer Machines"  
are not Singer made needles. 2

## MACHINE No. 127-4

### FOR FAMILY USE. VIBRATING SHUTTLE, WITH SHUTTLE EJECTOR.

This Machine is the same as the No. 127-3 Machine with the  
addition of the following:

#### HAND ATTACHMENT PARTS

No.	Plate	Name
94050	6804	Body.....
94027	6804	" Bracket.....
183E	6804	" " Screw.....
94028	6804	Crank Handle (wood).....
94029	6804	" " Spindle.....
94030	6804	" " " Flange (loose)....
94069	6804	" Hinge Pin.....
94031	6804	" Lever.....
94032	6804	" " Lock Pin.....
94033	6804	" " " " Head.....
8282	6804	" " " " Spring.....
94034	-----	Crank complete, Nos. 94028 to 94031....
94046	6804	Driver.....
94036	6804	" Finger.....
94041	-----	" " 94036 with SS567E, 94039 and 94040.....
94039	6804	Driver Finger Driving Pad (rawhide)....
94040	6804	" " " " Plate.....
SS567E	6804	" " " " and Plate Screw
94044	6804	" " Hinge Pin.....
94037	6804	" " Latch.....
SS565E	6804	" " " Screw Stud.....
94038	6804	" " " Spring.....
94051	6804	Gear with 8282, 94032 and 94033.....
94016	6804	" Cover.....
399A	6804	" " Screw.....
SS599F	6804	" Screw Stud.....
94048	6804	Pinion.....
60028	6804	" Dowel Pin.....
SS600F	6804	" Screw Stud.....
94052	6804	Hand Attachment complete, Nos. SS565E, SS566C, SS599F, SS600F, 80028, 94016, 94027, 94034, 94037, 94038, 94041, 94044, 94046, 94048, 94050, 94051, 94069 and two each 183E and 399A.....
SS566C	6804	Hand Attachment Screw.....

## ACCESSORIES

No.	Plate	Name
120329	-----	Machine Cover.....
120862	6807	Oil Can, contents 1 1/3 fl. oz. (filled with household oil).....

## ATTACHMENT SET

No.	Plate	Name
121461	6805	Binder Folder.....
121463	6805	" Foot.....
51104B	6805	" Screw.....
120565	6805	" " Washer.....
121464	6805	Binder complete, Nos. 51104B, 120565, 121461 and 121463.....
25527	6805	Cloth Guide.....
50053B	6805	" " Thumb Screw.....
35931	6805	Hammer (adjustable).....
120842	6805	" (foot) flat bottom for 5/64 in. hem.....
-----	-----	Needles (six).....
8228	6805	Bobbins (five).....
25537	6805	Screw Driver (machine).....
120378	6805	" " (shuttle tension).....
8879	6805	Spool Pin Washer (cloth).....
36583	6805	Tucker.....
120310	-----	Attachment Set Nos. 8879, 25527, 25537, 35931, 36583, 50053B, 120378, 120842, 121464, five 8228 and six needles...
120598	6805	Ruffler for one, six and twelve stitch ruffling.....
120604	6805	Attachment Set complete, Nos. 120310 and 120598.....

## BIAS GAUGE

No.	Plate	Name
25525	6807	Bias Gauge.....

## BOBBIN WINDER (Automatic)

FOR 15282

No.	Plate	Name
8342	6806	Back Center.....
8256	6806	" " Head.....
8343	6806	" " Spring.....
55509	6806	Bracket (belt cover).....
158R	6806	" Screw.....
*8257	6806	Cam.....
8261	6806	Worm Wheel and Cam.....
50101B	6806	Delete " <del>and Cam</del> " Hinge Screw.....
1718J	6806	" " " Nut.....
15287	6806	Friction Ring (rubber).....
15288	6806	Pulley.....
50102A	6806	Spindle.....
8346	6806	Thread Guide.....
92B	6806	" " Hinge Screw.....
8260	6806	" " Spring.....
8261	6806	Worm Wheel and Cam.....
55514	6806	Worm wheel 8261 with 8257 and 50231A.....
2749	6806	" " Friction Washer.....
50104B	6806	" " Screw Stud (eccentric).....
1718J	6806	" " " " Nut.....
55511	6806	Bobbin Winder (automatic) complete, Nos. 92B, 2749, 8256, 8260, 8342, 8343, 8346, 15287, 15288, 50101B, 50102A, 50104B, 55509, 55510, 55512, 55514 and two 1718J.....

## BRAIDER

No.	Plate	Name
25510	6807	Braider.....
289B	6807	" Thumb Screw.....

## BUTTONHOLE ATTACHMENT

No.	Plate	Name
121704	6807	Buttonhole Attachment complete.....
140226K	6807	" " Thumb Screw.....

## EMBROIDERY ATTACHMENT

FOR ONE THREAD

No.	Plate	Name
120876	-----	Driving Lever with 120877 and two 9859..
22232	-----	" " Friction Washer.....
26784	-----	" " Hinge Stud.....
26523	-----	" " Washer.....
26524	-----	Frame with 26525.....
26525	-----	" Block.....
26527	21383	Looper.....
468C	-----	" Set Screw.....
26528	21383	Scroll with 468C.....
26529	-----	" Carrier with 26531.....
22232	-----	" " Friction Washer.....
26530	-----	" " Hinge Stud.....
26531	-----	" " Pin.....
26532	-----	" Cover.....
26533	-----	" Driving Lever with 26534.....
26534	-----	" " Stud.....
26535	21383	Spool Pin, for arm of machine.....
120877	-----	Thread Bracket.....
9859	-----	" " Rivet.....
26537	21383	" Eyelet.....
26785	21383	" Retaining Spring.....
24QJ	21383	" " " Screw.....
26538	21383	Embroidery Attachment complete, Nos.24QJ, 26523, 26524, 26527 to 26530, 26532, 26533, 26535, 26537, 26784, 26785, 120876 and two 22232.....

## EMBROIDERY ATTACHMENT

FOR TWO THREADS

No.	Plate	Name
35483	-----	Body.....
35484	-----	" Block.....
12152	-----	" " Rivet.....
35485	-----	Driving Lever.....
35486	-----	" " Arm (lower).....
35487	-----	" " " (upper).....
35488	-----	" " " Guide.....
35489	-----	" " " Hinge Stud.....
35490	-----	" " " Spring.....

## EMBROIDERY ATTACHMENT

13

No.	Plate	Name
35491	-----	Driving Lever Hinge Stud.....
35492	-----	Thread Carrier (left).....
35493	-----	" " " Hinge Stud.....
35494	-----	" " (right).....
50139B	21383	" " " Hinge Screw.....
35495	-----	" " Friction Plate.....
35496	21383	Embroidery Attachment, Nos. 190B, 12152, 35483 to 35488, 35490 to 35495, 35498, 50139B and two 35489.....
190B	21383	Embroidery Attachment Screw.....
35497	-----	Spool Bracket.....
35498	-----	" " Stud.....
1422B	21383	" " Tension Regulating Thumb Screw.....
35499	21383	Spool Bracket Tension Spring.....
35500	-----	" " " " Position Pin
35500	-----	" " Thread Guide Pin.....
35501	-----	" " Wire.....
35502	-----	" " " Hinge Stud.....
35503	-----	" " " " Washer....
35504	21383	Spool Bracket complete, Nos.1422B,35497, 35499,35502,35503 and two each 35500 and 35501.....
35505	21383	Embroidery Attachment complete, Nos. 35496 and 35504.....

## DARNING FOOT (Spring)

No.	Plate	Name
121091	6807	Darning Foot.....
121092	6807	" " Shank.....
121093	6807	" " Spring.....
121094	6807	Darning Foot (spring) complete, Nos. 121091 to 121093.....

## EDGE STITCHER

No.	Plate	Name
36865	6807	Edge Stitcher.....



## FEED COVER PLATE

No.	Plate	Name
8335	6807	Feed Cover Plate with 1423B and 8336 for art work.....
8336	6807	Feed Cover Plate Position Stud.....
1423B	6807	" " " Screw.....

## FELLER (Foot)

No.	Plate	Name
36835	6807	Feller (foot).....

## FINGER GUARD

No.	Plate	Name
121725	6807	Finger Guard.....

## HEMMERS (Foot)

No.	Plate	Name
36333	6807	Hemmer (foot) 1/16 in. hem for chiffon and silk.....
25904	6807	Hemmer (foot) 1/16 in. hem for silk ties.....
120842	6807	" " flat bottom, 5/64 in. hem.....
35884	6807	" " 3/16 in. hem.....
6267	-----	" Folder.....
25888	-----	" Tongue.....

Note: When ordering Nos. 6267 or 25888, give width of hem and No. of Hemmer for which it is required.

## HEMSTITCHING AND PICOTING ATTACHMENT

No.	Plate	Name
121387	6808	Hemstitching and Picoting Attachment with Attachment Screw 51347A.....
51347A	6808	Hemstitching and Picoting Attachment Thumb Screw.....
121391	6808	Hemstitching and Picoting Attachment Throat Plate with 202J, 121466 and two 121467.....
121466	6808	Hemstitching and Picoting Attachment Throat Plate Needle Guide.....
121467	6808	Hemstitching and Picoting Attachment Throat Plate Needle Guide Rivet.....
202J	6808	Hemstitching and Picoting Attachment Throat Plate Screw.....

## REPLACEMENT PARTS

FOR

## HEMSTITCHING AND PICOTING ATTACHMENT No. 121387

No.	Plate	Name
121591	6808	Feed Blade.....
121400	6808	" " Actuating Bracket.....
121401	6808	" " " " Gib.....
121402	6808	" " " " Rivet..
121403	6808	" " " " Washer.
121404	6808	" " " " Rivet.....
121405	6808	" " Extension (left).....
121406	6808	" " (right).....
121209	6808	" " Foot (rubber).....
121210	6808	" " Rivet.....
121211	6808	" " Position Stud.....
121212	6808	" " Spring.....
121573	6808	" Cam Lever.....
140112J	6808	" " " Hinge Screw.....
121465	6808	" " " " Nut.....
121580	6808	" " Shaft and Ratchet Wheel.....
121592	6808	Fork Arm.....

16 HEMSTITCHING AND PICOTING ATTACHMENT

No.	Plate	Name
121407	6808	Piercer.....
121408	6808	" " Arm.....
121214	6808	" " Hinge Stud.....
121215	6808	" " Spring.....
51470A	6808	" Clamping Screw.....
121409	6808	" Holder.....
121410	6808	" " Adjusting Bracket.....
51415H	6808	" " " " Screw..
51471B	6808	" " " " Screw.....
121582	6808	Ratchet Wheel Pawl.....
121583	6808	" " " Rivet.....
121275	6808	" " " Spring.....
121221	6808	" " " " Rivet.....

NEEDLE THREADER (Universal)

No.	Plate	Name
121632	6809	Needle Threader (universal).....
121631	6809	" " " Hook.....
140157J	6809	" " " " Screw.....

NEEDLE THREADER AND SEAM RIPPER

No.	Plate	Name
120982	6809	Cutting Blade.....
51489J	6809	" " " Screw.....
121631	6809	Needle Threader Hook.....
140157J	6809	" " " " Screw.....
121634	6809	Needle Threader and Seam Ripper complete, Nos. 51489J,120982,140157J and three 121631.....

PRESSER FOOT WITH GRADUATED ADJUSTABLE GUIDES

No.	Plate	Name
121717	6809	Presser Foot.....
35002	6809	" " " Extension.....
35003	6809	" " " Graduated Adjustable Guide (long, left).....

PRESSER FOOT WITH GRADUATED ADJUSTABLE GUIDES 17

No.	Plate	Name
35004	6809	Presser Foot Graduated Adjustable Guide (long, right).....
35005	6809	Presser Foot Graduated Adjustable Guide (short, right).....
35006	6809	Presser Foot Graduated Adjustable Guide (short, right) flush.....
35135	6809	Presser Foot Graduated Adjustable Guide Clamp.....
35206	6809	Presser Foot Graduated Adjustable Guide Clamp Lever.....
337D	6809	Presser Foot Graduated Adjustable Guide Clamp Screw.....
121718	6809	Presser Foot with Extension and Gradu- ated Adjustable Guides complete,Nos. 337D,35002 to 35006,35135,35206 and 121717.....

PRESSER FEET

No.	Plate	Name
15429	6809	Presser Foot (left toe) for stitching on edge and inserting braid.....
125035	6809	Presser Foot (right toe) for stitching on edge and inserting braid.....
28831	6809	Presser Foot for darning.....
121441	6809	" " " gathering.....
121614	6809	" " " with 51282J and 121615, for blind stitch braiding, for soutache braid.....
121615	6809	Presser Foot Braid Guide.....
Note: When ordering No. 121614 or 121615, send sample of braid for which it is to be used.		
51282J	6809	Presser Foot Braid Guide Screw.....
36058	6809	" " " with 665B and 36059, for blind stitch cording, to turn small curves.....
36059	6809	Presser Foot Cord Guide.....
Note: When ordering Nos. 36058 or 36059, send sample of cord for which it is to be used.		
665B	6809	Presser Foot Cord Guide Screw.....
8321	6809	Feed Dog, 12 teeth (16 teeth to the inch) four teeth right of needle (square corners).....
36060	6809	Throat Plate for 8321, for 36058.....
36067	6809	Presser Foot, for braiding, for art work, for braid 1/16 in. to 3/16 in. wide.....
Note: When ordering No.36067, state the size or send sample of the braid for which it is to be used.		

## QUILTER

No.	Plate	Name
35932	6809	Quilter.....

## SINGERCRAFT FAGOTER

No.	Plate	Name
121254	23451	Singercraft Fagoter, 1/2 in. gauge.....
121252	23451	" " " Cord Stripper complete
121253	23451	" " " Presser Foot.....
121255	23451	Singercraft Fagoter complete, 1/2 in. gauge, Nos. 121252 to 121254.....

## SINGERCRAFT GUIDE No. 121079

No.	Plate	Name
120981	23451	Singercraft Guide with 120985.....
120982	23451	" " " Cutting Blade.....
120983	23451	" " " " Guard with 120984.....
120984	23451	Singercraft Guide Cutting Blade Guard Locking Stud.....
120985	23451	Singercraft Guide Spacing Link.....
120987	23451	Singercraft Guide with Cutting Blade complete, Nos. 120981 to 120983.....
121079	-----	Singercraft Guide 120987, Hot Iron Transfers and Instructions, packed in carton.....

## ACCESSORIES USED WITH SINGERCRAFT GUIDE, BUT NOT INCLUDED IN No. 120987

No.	Plate	Name
120988	23451	Singercraft Guide Extension with two 120990, for 1 1/4 in. loop.....
120989	23451	Singercraft Guide Extension with two 120990, for 1 7/8 in. loop.....
121023	-----	Singercraft Guide Extensions, Nos. 120988 and 120989, packed in envelope.....
120990	23451	Singercraft Guide Extension Locking Stud

## RUFFLER

No.	Plate	Name
120598	6805	Ruffler for one, six and twelve stitch ruffling.....

## RUFFLER SHIRRING PLATE (Universal)

No.	Plate	Name
121170	6809	Ruffler Shirring Plate (universal) with 51395W.....
51395W	6809	Ruffler Shirring Plate Thumb Screw.....

## TUBULAR TRIMMING ATTACHMENT

No.	Plate	Name
35984	23452	Presser Foot (strip folding) with tube..
120824	23452	Strip Wire.....
35018	23452	Tape Delivery Blade.....
35985	23452	Tubular Trimming Attachment complete, for making 3/32 in., 1/8 in. and 5/32 in. trimmings, Nos. 35018, 35984 and 120824.....

## UNDER BRAIDER

No.	Plate	Name
121547	6809	Under Braider.....
25637	6809	" " Foot.....
51395W	6809	" " Thumb Screw.....

## ZIGZAG ATTACHMENT

No.	Plate	Name
121705	23452	Zigzag Attachment (adjustable) with 121726 and Cord Guide.....
121707	23452	Zigzag Attachment (adjustable) Edge Guide with 140218J.....
140218J	23452	Zigzag Attachment (adjustable) Edge Guide Screw.....
121726	23452	Zigzag Attachment (adjustable) Pawl Spring.....
121706	23452	Zigzag Attachment (adjustable) complete, Nos. 121705 and 121707.....

## NUMERICAL LIST OF PARTS

Genuine Singer Needles should be used  
in Singer Machines.  
These Needles and their Containers  
are marked with the  
Company's Trade Mark "SIMANCO." 1

Needles in Containers marked  
"For Singer Machines"  
are not Singer made needles. 2

## ZIGZAG ATTACHMENT

No.	Plate	Name
121705	23452	Zigzag Attachment (adjustable) with 121726 and Cord Guide.....
121707	23452	Zigzag Attachment (adjustable) Edge Guide with 140218J.....
140218J	23452	Zigzag Attachment (adjustable) Edge Guide Screw.....
121726	23452	Zigzag Attachment (adjustable) Pawl Spring.....
121706	23452	Zigzag Attachment (adjustable) complete, Nos. 121705 and 121707.....

Genuine Singer Needles should be used  
in Singer Machines.  
These Needles and their Containers  
are marked with the  
Company's Trade Mark "SIMANCO." 1

Needles in Containers marked  
"For Singer Machines"  
are not Singer made needles. 2

## NUMERICAL LIST OF PARTS

No.	Plate	Name
42E	6801	Feed Regulator Hinge Screw.....
44A	6801	Shuttle Pitman Screw Stud.....
92B	6806	Bobbin Winder Thread Guide Hinge Screw for 5551L.....
97E	6803	Presser Bar Lifter Screw.....
107B	6803	Thread Take-up Lever Cover Hinge Screw..
122E	6801	Arm Rock Shaft Adjusting Screw for 8203.
156B	6806	Bobbin Winder Bracket Screw.....
175J	6801	Feed Forked Connection Adjusting Screw for 8348.....
175E	6803	Needle Bar Cam Clamping Screw for 8222..
176J	6801	Shuttle Pitman Adjusting Screw for 8232.
183E	6804	Hand Attachment Body Bracket Screw for 94052.....
190B	21383	Embroidery Attachment Screw for 35496...
191J	6802	Feed Dog Screw.....
202J	6808	Hemstitching and Picoting Attachment Throat Plate Screw for 121391.....
215H	6802	Shuttle Tension Regulating Screw for 54505.....
216K	6801	Shuttle Pitman Screw Stud (eccentric) Screw.....
219A	6802	Face Plate Screw.....
219A	6802	Throat Plate Screw.....
231K	6802	Shuttle Carrier Screw.....
233B	6803	Needle Bar Cam Position Screw.....
233B	6802	Thread Take-up Spring Regulator Plate Adjusting Screw.....
240J	21383	Embroidery Attachment Thread Retaining Spring Screw for 26538.....
248A	6801	Clamp Stop Motion Clamp Stop Screw for 15314.....
249A	6803	Needle Bar Thread Guard and Needle Stop Screw.....
253B	6801	Feed Regulating Thumb Screw.....
256B	6801	Clamp Stop Motion Clamp Screw for 15314.
263B	6803	Pressure Regulating Thumb Screw.....
289B	6807	Braider Thumb Screw.....
301C	6801	Arm Rock Shaft Screw Center for 55516...
307C	6801	Feed Rock Shaft Screw Center for 56814..
315C	6801	" Dog Carrier Screw Center for 15445.
337D	6809	Presser Foot Graduated Adjustable Guide Clamp Screw for 121718.....
399A	6804	Hand Attachment Gear Cover Screw for 94052.....
400K	6803	Needle Bar Cam Guide Adjusting Screw for 8222.....

## NUMERICAL LIST OF PARTS

No.	Plate	Name
400K	6803	Presser Bar Guide Bracket Adjusting Screw for 55507.....
443A	6801	Arm Shaft Bushing Set Screw for 55501...
448C	6801	Thread Take-up Cam Set Screw for 55521..
453C	6803	Presser Bar Guide Bracket Set Screw for 55507.....
462C	6801	Clamp Stop Motion Flanged Bushing Set Screw for 15313.....
468C	21383	Embroidery Attachment Looper Set Screw for 26528.....
520C	6801	Shuttle Pitman Screw Stud (eccentric)...
552C	6803	Needle Clamp Thumb Screw for 2054.....
SS565E	6804	Hand Attachment Driver Finger Latch Screw Stud for 94052.....
SS566C	6804	Hand Attachment Screw for 94052.....
SS567E	6804	" " Driver Finger Driving Pad and Plate Screw for 94041.....
SS599F	6804	Hand Attachment Gear Screw Stud for 94052.....
SS600F	6804	Hand Attachment Pinion Screw Stud for 94052.....
649E	6801	Arm Screw.....
665B	6809	Presser Foot Cord Guide Screw for 36058.
1085E	6801	Feed Forked Connection Roller Screw Stud for 1832.....
1274E	6802	Tension Screw Stud for 55520.....
1285C	6801	Feed Cam Set Screw for 32562.....
1381K	6801	" Forked Connection Hinge Screw (eccentric).....
1422B	21383	Embroidery Attachment Spool Bracket Tension Regulating Thumb Screw for 35504.....
1423B	6807	Feed Cover Plate Screw for 8335.....
1508J	6801	Arm Rock Shaft Screw Center Nut for 55516.....
1513J	6801	Feed Rock Shaft Screw Center Nut for 56814.....
1519J	6801	Feed Dog Carrier Screw Center Nut for 15445.....
1520J	6801	Feed Forked Connection Hinge Screw Nut..
1520J	6801	Shuttle Pitman Screw Stud (eccentric) Nut.....
1560E	6802	Tension Regulating Thumb Nut for 55520..
1718J	6806	Bobbin Winder Frame Hinge Screw Nut for 55511.....
1718J	6806	Bobbin Winder Worm Wheel Screw Stud Nut for 55511.....
1822	6803	Thread Take-up Lever Roller and Stud for 55526.....
1832	6801	Feed Forked Connection Roller with 1085E

## NUMERICAL LIST OF PARTS

No.	Plate	Name
1833	6801	Feed Dog Carrier Roller and Screw Stud..
1836	6803	Needle Bar Cam Roller and Screw Stud....
2002	6801	Arm Dowel Pin.....
2007	6801	" Spool Pin.....
2020	6801	Clamp Stop Motion Clamp Washer for 15314
2054	6803	Needle Clamp with 552C.....
2070	6803	Presser Bar Spring Washer.....
2102	6802	Tension Disc for 55520.....
2749	6806	Bobbin Winder Worm Wheel Friction Washer for 55511.....
6267	-----	Hemmer Folder.....
8203	6801	Arm Rock Shaft with 122E.....
8204	6801	" " " Center (upper).....
8206	6801	" Shaft Bushing for 55501.....
8210	6802	Face Plate with 125423.....
8216	6801	Feed Regulator.....
8217	6801	" " Friction Washer.....
8221	6803	Needle Bar.....
8222	6803	" " Cam with 175E and 400K.....
8224	6803	Presser Bar.....
8225	6803	" " Spring.....
8228	6802	Shuttle Bobbin for 54505 and 120310.....
8232	6801	" Pitman with two 175J.....
8238	6802	Tension Spring for 55520.....
8243	6803	Thread Take-up Lever Cover.....
8244	6802	" " Spring for 55520.....
8256	6806	Bobbin Winder Back Center Head for 55511
*8257	6806	Bobbin Winder Cam for 55514.....
8261	6806	Bobbin Winder Worm Wheel <del>and Cam</del> for 55514.....
8282	6804	Hand Attachment Crank Lever Lock Pin Spring for 94051.....
8321	6802	Feed Dog, 12 teeth (16 teeth to the inch) four teeth right of needle (square corners) for 8323.....
8323	6802	Throat Plate for 8321.....
8326	6802	Shuttle Tension Spring for 54505.....
*8328	-----	Bed.....
8334	6801	Feed Rock Shaft.....
8335	6807	" Cover Plate with 1423B and 8336, for art work.....
8336	6807	Feed Cover Plate Position Stud for 8335.
8337	6803	Presser Foot.....
8338	6803	Needle Bar Thread Guard.....
8341	6801	Arm Shaft.....
8342	6806	Bobbin Winder Back Center for 55511.....
8343	6806	" " " " Spring for 55511
8346	6806	" " Thread Guide for 55511....
8348	6801	Feed Forked Connection with 175J.....

## NUMERICAL LIST OF PARTS

No.	Plate	Name
8437	6801	Feed Dog Carrier.....
8444	6801	Shuttle Bell Crank.....
8879	6801	Arm Spool Pin Washer (cloth).....
8879	6805	Spool Pin Washer (cloth) for 120310.....
9859	-----	Embroidery Attachment Thread Bracket Rivet for 120876.....
12152	-----	Embroidery Attachment Body Block Rivet for 35496.....
12329	6803	Tension Releasing Lever Spring.....
15282	6801	Balance Wheel, 2 1/4 in. pulley.....
15287	6806	Bobbin Winder Friction Ring (rubber) for 55511.....
15288	6806	Bobbin Winder Pulley for 55511.....
15313	6801	Clamp Stop Motion Flanged Bushing with two 462C, for 15314.....
15314	6801	Clamp Stop Motion complete, Nos. 248A, 256B, 2020 and 15313.....
*15404	-----	Trade Mark for 55501.....
15405	-----	" " Rivet for 55501.....
15429	6809	Presser Foot (left toe) for stitching on edge and inserting braid.....
15445	-----	Feed Dog Carrier Screw Center 315C with 1519J.....
22232	-----	Embroidery Attachment Driving Lever Friction Washer for 26538.....
22232	-----	Embroidery Attachment Scroll Carrier Friction Washer for 26538.....
25510	6807	Braider.....
25525	6807	Bias Gauge.....
25527	6805	Cloth Guide for 120310.....
25537	6805	Screw Driver (machine) for 120310.....
25637	6809	Under Braider Foot.....
25888	-----	Hemmer Tongue.....
25904	6807	Hemmer (foot) 1/16 in. hem for silk ties
26075	6803	Thread Cutter and Holder.....
26523	-----	Embroidery Attachment Driving Lever Washer for 26538.....
26524	-----	Embroidery Attachment Frame with 26525, for 26538.....
26525	-----	Embroidery Attachment Frame Block for 26524.....
26527	21383	Embroidery Attachment Looper for 26538..
26528	21383	" " Scroll with 466C, for 26538.....
26529	-----	Embroidery Attachment Scroll Carrier with 26531, for 26538.....
26530	-----	Embroidery Attachment Scroll Carrier Hinge Stud for 26538.....
26531	-----	Embroidery Attachment Scroll Carrier Pin for 26529.....

## NUMERICAL LIST OF PARTS

No.	Plate	Name
26532	-----	Embroidery Attachment Scroll Cover for 26538.....
26533	-----	Embroidery Attachment Scroll Driving Lever with 26534, for 26538.....
26534	-----	Embroidery Attachment Scroll Driving Lever Stud for 26533.....
26535	21383	Embroidery Attachment Spool Pin for arm of machine for 26538.....
26537	21383	Embroidery Attachment Thread Eyelet for 26538.....
26538	21383	Embroidery Attachment complete for one thread, Nos. 240J, 26523, 26524, 26527 to 26530, 26532, 26533, 26535, 26537, 26784, 26785, 120876 and two 22232....
26784	-----	Embroidery Attachment Driving Lever Hinge Stud for 26538.....
26785	21383	Embroidery Attachment Thread Retaining Spring for 26538.....
28631	6809	Presser Foot for darning.....
32562	6801	Feed Cam with 1285C.....
32572	6802	Tension Releasing Disc for 55520.....
35002	6809	Presser Foot Extension for 121718.....
35003	6809	" " Graduated Adjustable Guide (long, left) for 121718.....
35004	6809	Presser Foot Graduated Adjustable Guide (long, right) for 121718.....
35005	6809	Presser Foot Graduated Adjustable Guide (short, right) for 121718.....
35006	6809	Presser Foot Graduated Adjustable Guide (short, right) flush for 121718.....
35018	23452	Tubular Trimming Attachment Tape De- livery Blade for 35985.....
35135	6809	Presser Foot Graduated Adjustable Guide Clamp for 121718.....
35206	6809	Presser Foot Graduated Adjustable Guide Clamp Lever for 121718.....
35483	-----	Embroidery Attachment Body for 35496....
35484	-----	" " " Block for 35496
35485	-----	" " " Driving Lever for 35496.....
35486	-----	Embroidery Attachment Driving Lever Arm (lower) for 35496.....
35487	-----	Embroidery Attachment Driving Lever Arm (upper) for 35496.....
35488	-----	Embroidery Attachment Driving Lever Arm Guide for 35496.....
35489	-----	Embroidery Attachment Driving Lever Arm Hinge Stud for 35496.....
35490	-----	Embroidery Attachment Driving Lever Arm Spring for 35496.....

## NUMERICAL LIST OF PARTS

No.	Plate	Name
35491	-----	Embroidery Attachment Driving Lever Hinge Stud for 35496.....
35492	-----	Embroidery Attachment Thread Carrier (left) for 35496.....
35493	-----	Embroidery Attachment Thread Carrier (left) Hinge Stud for 35496.....
35494	-----	Embroidery Attachment Thread Carrier (right) for 35496.....
35495	-----	Embroidery Attachment Thread Carrier Friction Plate for 35496.....
35496	21383	Embroidery Attachment for 35505, Nos. 190B, 12152, 35483 to 35488, 35490 to 35495, 35498, 50139B and two 35489..
35497	-----	Embroidery Attachment Spool Bracket for 35504.....
35498	-----	Embroidery Attachment Spool Bracket Stud for 35496.....
35499	21383	Embroidery Attachment Spool Bracket Tension Spring for 35504.....
35500	-----	Embroidery Attachment Spool Bracket Tension Spring Position Pin for 35504..
35500	-----	Embroidery Attachment Spool Bracket Thread Guide Pin for 35504.....
35501	-----	Embroidery Attachment Spool Bracket Wire for 35504.....
35502	-----	Embroidery Attachment Spool Bracket Wire Hinge Stud for 35504.....
35503	-----	Embroidery Attachment Spool Bracket Wire Hinge Stud Washer for 35504.....
35504	21383	Embroidery Attachment Spool Bracket complete for 35505, Nos. 1422B, 35497, 35499, 35502, 35503 and two each 35500 and 35501.....
35505	21383	Embroidery Attachment complete for two threads, Nos. 35496 and 35504.....
35884	6807	Hemmer Foot, 3/16 in. hem.....
35931	6805	" (adjustable) for 120310.....
35932	6809	Quilter.....
35984	23452	Presser Foot (strip folding) with tube for 35985.....
35985	23452	Tubular Trimming Attachment complete for making 3/32 in., 1/8 in. and 5/32 in. trimmings, Nos. 35018, 35984 and 120824.....
36058	6809	Presser Foot with 665B and 36059, for blind stitch cording to turn small curves.....
36059	6809	Presser Foot Cord Guide for 36058.....
36060	6809	Throat Plate for 8321, for 36058.....
36067	6809	Presser Foot for braiding for art work for braid 1/16 in. to 3/16 in. wide.

## NUMERICAL LIST OF PARTS

No.	Plate	Name
36333	6807	Hemmer (foot) 1/16 in. hem for chiffon and silk.....
36583	6805	Tucker for 120310.....
36835	6807	Feller (foot).....
36865	6807	Edge Stitcher.....
50036B	6801	Shuttle Bell Crank Hinge Screw.....
50053B	6805	Cloth Guide Thumb Screw for 120310.....
50101B	6806	Bobbin Winder Frame Hinge Screw for 55511.....
50102A	6806	Bobbin Winder Spindle for 55511.....
50104B	6806	" " Worm Wheel Screw Stud (eccentric) for 55511.....
50126E	6802	Shuttle Ejector Hinge Screw for 54507...
50139B	21383	Embroidery Attachment Thread Carrier (right) Hinge Screw for 35496.....
50231A	6806	Bobbin Winder Cam Screw for 55514.....
50527C	6803	Thread Take-up Lever Hinge Screw for 55526.....
51045C	6801	Machine Hinge Connection Set Screw.....
51104B	6805	Binder Screw for 121464.....
51224B	6801	Arm Side Cover Thumb Screw.....
51224B	6803	Presser Foot Thumb Screw.....
51282J	6809	" " Braid Guide Screw for 121614
51347A	6808	Hemstitching and Picoting Attachment Thumb Screw for 121387.....
51395W	6809	Ruffler Shirring Plate Thumb Screw for 121170.....
51395W	6809	Under Braider Thumb Screw.....
51415H	6808	Hemstitching and Picoting Attachment Piercer Holder Adjusting Bracket Screw for 121387.....
51470A	6808	Hemstitching and Picoting Attachment Piercer Clamping Screw for 121387...
51471B	6808	Hemstitching and Picoting Attachment Piercer Holder Screw for 121387.....
51489J	6809	Needle Threader and Seam Ripper Cutting Blade Screw for 121634.....
54503	6803	Presser Bar Lifter.....
54505	6802	Shuttle complete, Nos. 215H, 8228 and 8326.....
54507	6802	Shuttle Carrier complete, Nos. 50126E, 54510, 54511 and 54527.....
54510	6802	Shuttle Ejector for 54507.....
54511	6802	" " Spring for 54507.....
54515	6802	Tension Releasing Pin for 55520.....
54527	6802	Shuttle Carrier for 54507.....
54530	6802	Thread Take-up Spring Regulator Plate...
*55501	-----	Arm with 443A, 8206, 15404 and two 15405
55503	6802	Shuttle Slide (back).....
55504	6802	" " (front).....



## NUMERICAL LIST OF PARTS

No.	Plate	Name
55505	6803	Tension Releasing Lever.....
55506	6803	" " " Hinge Pin.....
55507	6803	Presser Bar Guide Bracket with 400K and 453C.....
55509	6806	Bobbin Winder Bracket (belt cover) for 55511.....
55510	6806	Bobbin Winder Frame for 55511.....
55511	6806	Bobbin Winder (automatic) complete for 15282, Nos. 92B, 2749, 8256, 8260, 8342, 8343, 8346, 15287, 15288, 50101B, 50102A, 50104B, 55509, 55510, 55512, 55514 and two 1718J.....
55512	6806	Bobbin Winder Frame Friction Washer for 55511.....
55514	<b>6806</b>	Bobbin Winder Worm Wheel 8261 with <b>8257</b> and 50231A, for 55511.....
55515	6802	Bed Oil Hole (shuttle) Packing (braided cotton).....
55516	----	Arm Rock Shaft Screw Center 301C with 1508J.....
*55520	----	Tension complete, Nos. 1274E, 1560B, 8238, 8244, 32572, 54515 and two 2102.....
55521	6801	Thread Take-up Cam with two 448C.....
55526	6803	" " Lever with 1822 and 50527C.....
56814	----	Feed Rock Shaft Screw Center 307C with 1513J.....
80028	6804	Hand Attachment Pinion Dowel Pin for 94052.....
94016	6804	Hand Attachment Gear Cover for 94052....
94027	6804	" " Body Bracket for 94052..
94028	6804	" " Crank Handle (wood) for 94034.....
94029	6804	Hand Attachment Crank Handle Spindle for 94034.....
94030	6804	Hand Attachment Crank Handle Spindle Flange (loose) for 94034.....
94031	6804	Hand Attachment Crank Lever for 94034....
94032	6804	" " " " Lock Pin for 94051.....
94033	6804	Hand Attachment Crank Lever Lock Pin Head for 94051.....
94034	----	Hand Attachment Crank complete for 94052, Nos. 94028 to 94031.....
94036	6804	Hand Attachment Driver Finger for 94041.
94037	6804	" " " " Latch for 94052.....
94038	6804	Hand Attachment Driver Finger Latch Spring for 94052.....
94039	6804	Hand Attachment Driver Finger Driving Pad (rawhide) for 94041.....

## NUMERICAL LIST OF PARTS

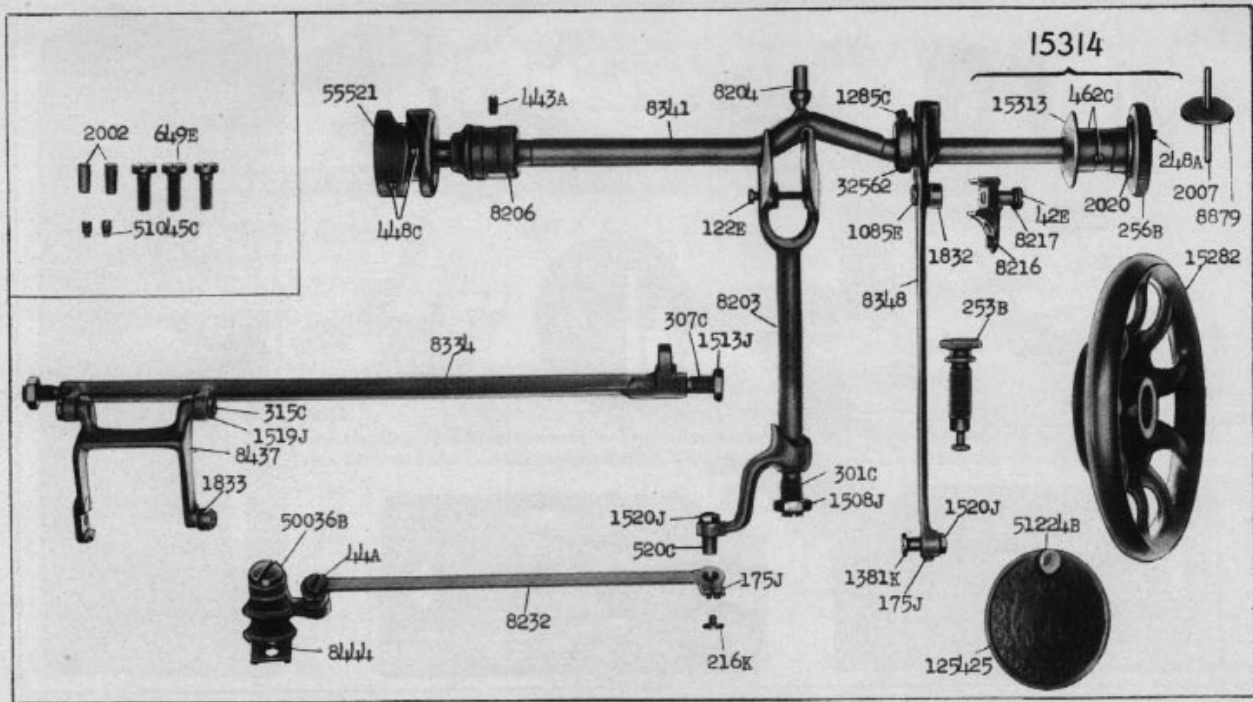
No.	Plate	Name
94040	6804	Hand Attachment Driver Finger Driving Pad Plate for 94041.....
94041	----	Hand Attachment Driver Finger 94036 with SS567E, 94039 and 94040, for 94052..
94044	6804	Hand Attachment Driver Finger Hinge Pin for 94052.....
94046	6804	Hand Attachment Driver for 94052.....
94048	6804	" " Pinion for 94052.....
94050	6804	" " Body for 94052.....
94051	6804	" " Gear with 8282, 94032 and 94033, for 94052.....
94052	6804	Hand Attachment complete for 127-4 Machine, Nos. SS565E, SS566C, SS599F, SS600F, 80028, 94016, 94027, 94034, 94037, 94038, 94041, 94044, 94046, 94048, 94050, 94051, 94069 and two each 183E and 399A.....
94069	6804	Hand Attachment Crank Hinge Pin for 94052.....
120310	----	Attachment Set for 120604, Nos. 8879, 25527, 22537, 35931, 36583, 50053B, 120378, 120842, 121464, five 8228 and six needles.....
120329	----	Machine Cover (Accessories).....
120378	6805	Screw Driver (shuttle tension) for 120310.....
120565	6805	Binder Screw Washer for 121464.....
120598	6805	Ruffler for one, six and twelve stitch ruffling for 120604.....
120604	6805	Attachment Set complete, Nos. 120310 and 120598.....
120824	23452	Tubular Trimming Attachment Strip Wire for 35985.....
120842	6805	Hemmer (foot) flat bottom for 5/64 in. hem for 120310.....
120862	6807	Oil Can, contents 1 1/3 fl. oz. (fill with household oil) Accessories.....
120876	----	Embroidery Attachment Driving Lever with 120877 and two 9859, for 26538.....
120877	----	Embroidery Attachment Thread Bracket for 120876.....
120981	23451	Singercraft Guide with 120985, for 120987.....
120982	6809	Needle Threader and Seam Ripper Cutting Blade for 121634.....
120982	23451	Singercraft Guide Cutting Blade for 120987.....
120983	23451	Singercraft Guide Cutting Blade Guard with 120984, for 121987.....
120984	23451	Singercraft Guide Cutting Blade Guard Locking Stud for 120983.....

No.	Plate	Name
120985	23451	Singercraft Guide Spacing Link for 120981.....
120987	23451	Singercraft Guide with Cutting Blade complete for 121079, Nos. 120981 to 120983.....
120988	23451	Singercraft Guide Extension with two 120990, for 1 1/4 in. loop for 121023.....
120989	23451	Singercraft Guide Extension with two 120990, for 1 7/8 in. loop for 121023
120990	23451	Singercraft Guide Extension Locking Stud for 120988 and 120989.....
121023	-----	Singercraft Guide Extensions for use with 120987, Nos. 120988 and 120989, packed in envelope.....
121079	-----	Singercraft Guide 120987, Hot Iron Transfers and Instructions, packed in carton.....
121091	6807	Darning Foot for 121094.....
121092	6807	" " Shank for 121094.....
121093	6807	" " Spring for 121094.....
121094	6807	Darning Foot (spring) complete, Nos. 121091 to 121093.....
121170	6809	Ruffler Shirring Plate (universal) with 51395W.....
121209	6808	Hemstitching and Picoting Attachment Feed Blade Extension Foot (rubber) for 121387.....
121210	6808	Hemstitching and Picoting Attachment Feed Blade Extension Rivet for 121387.....
121211	6808	Hemstitching and Picoting Attachment Feed Blade Position Stud for 121387.
121212	6808	Hemstitching and Picoting Attachment Feed Blade Spring for 121387.....
121214	6808	Hemstitching and Picoting Attachment Piercer Arm Hinge Stud for 121387...
121215	6808	Hemstitching and Picoting Attachment Piercer Arm Spring for 121387.....
121221	6808	Hemstitching and Picoting Attachment Ratchet Wheel Pawl Spring Rivet for 121387.....
121252	23451	Singercraft Fagoter Cord Stripper complete for 121255.....
121253	23451	Singercraft Fagoter Presser Foot for 121255.....
121254	23451	Singercraft Fagoter, 1/2 in. gauge for 121255.....
121255	23451	Singercraft Fagoter complete, 1/2 in. gauge, Nos. 121252 to 121254.....

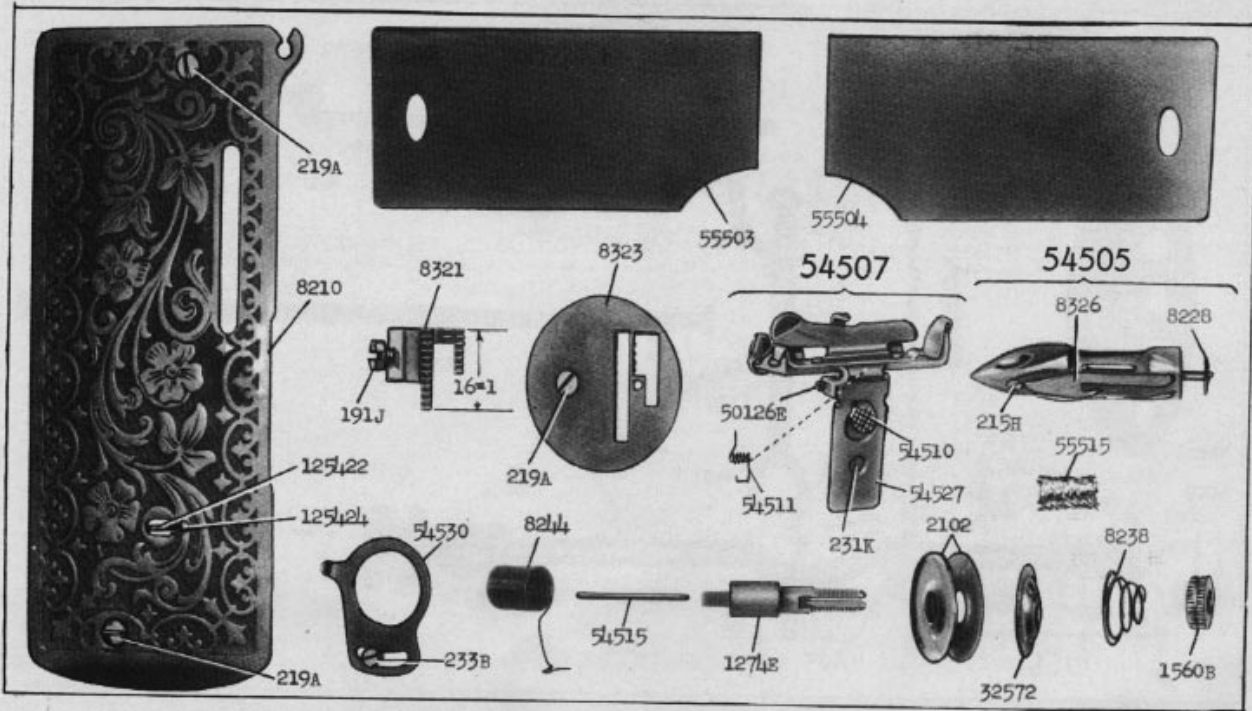
No.	Plate	Name
121275	6808	Hemstitching and Picoting Attachment Ratchet Wheel Pawl Spring for 121387
121387	6808	Hemstitching and Picoting Attachment with Attachment Screw 51347A.....
121391	6808	Hemstitching and Picoting Attachment Throat Plate with 202J, 121466 and two 121467, for 121387.....
121400	6808	Hemstitching and Picoting Attachment Feed Blade Actuating Bracket for 121387.....
121401	6808	Hemstitching and Picoting Attachment Feed Blade Actuating Bracket G1b for 121387.....
121402	6808	Hemstitching and Picoting Attachment Feed Blade Actuating Bracket G1b Rivet for 121387.....
121403	6808	Hemstitching and Picoting Attachment Feed Blade Actuating Bracket G1b Washer for 121387.....
121404	6808	Hemstitching and Picoting Attachment Feed Blade Rivet for 121387.....
121405	6808	Hemstitching and Picoting Attachment Feed Blade Extension (left) for 121387.....
121406	6808	Hemstitching and Picoting Attachment Extension (right) for 121387.....
121407	6808	Hemstitching and Picoting Attachment Piercer for 121387.....
121408	6808	Hemstitching and Picoting Attachment Piercer Arm for 121387.....
121409	6808	Hemstitching and Picoting Attachment Piercer Holder for 121387.....
121410	6808	Hemstitching and Picoting Attachment Piercer Holder Adjusting Bracket for 121387.....
121441	6809	Presser Foot for gathering.....
121461	6805	Binder Folder for 121464.....
121463	6805	" Foot for 121464.....
121464	6805	Binder complete for 120310, Nos. 51104B, 120565, 121461 and 121463.....
121465	6808	Hemstitching and Picoting Attachment Feed Cam Lever Hinge Screw Nut for 121387.....
121466	6808	Hemstitching and Picoting Attachment Throat Plate Needle Guide for 121391
121467	6808	Hemstitching and Picoting Attachment Throat Plate Needle Guide Rivet for 121391.....
121547	6809	Under Braider.....
121573	6808	Hemstitching and Picoting Attachment Feed Cam Lever for 121387.....

## NUMERICAL LIST OF PARTS

No.	Plate	Name
121580	6808	Hemstitching and Picoting Attachment Feed Cam Shaft and Ratchet Wheel for 121387.....
121582	6808	Hemstitching and Picoting Attachment Ratchet Wheel Pawl for 121387.....
121583	6808	Hemstitching and Picoting Attachment Ratchet Wheel Pawl Rivet for 121387.
121591	6808	Hemstitching and Picoting Attachment Feed Blade for 121387.....
121592	6808	Hemstitching and Picoting Attachment Fork Arm for 121387.....
121614	6809	Presser Foot with 51282J and 121615, for blind stitch braiding for soutache braid.....
121615	6809	Presser Foot Braid Guide for 121614.....
121631	6809	Needle Threader Hook.....
121631	6809	" " and Seam Ripper Needle Threader Hook for 121634.....
121632	6809	Needle Threader (universal).....
121634	6809	Needle Threader and Seam Ripper com- plete, Nos. 26459, 51489J, 120982, 140157J and three 121631.....
121704	6807	Buttonhole Attachment complete.....
121705	23452	Zigzag Attachment (adjustable) with 121726 and Cord Guide for 121706....
121706	23452	Zigzag Attachment (adjustable) complete, Nos. 121705 and 121707.....
121707	23452	Zigzag Attachment (adjustable) Edge Guide with 140218J, for 121706.....
121717	6809	Presser Foot for 121718.....
121718	6809	Presser Foot with Extension and Gradu- ated Adjustable Guides complete, Nos. 337D, 35002 to 35006, 35135, 35206 and 121717.....
121725	6807	Finger Guard.....
121726	23452	Zigzag Attachment (adjustable) Pawl Spring for 121705.....
125035	6809	Presser Foot (right toe) for stitching on edge and inserting braid.....
125422	6802	Face Plate Thread Guard for 125423.....
125423	-----	" " " " 125422 with 125424, for 8210.....
125424	6802	Face Plate Thread Guard Rivet for 125423
125425	6801	Arm Side Cover.....
140112J	6808	Hemstitching and Picoting Attachment Feed Cam Lever Hinge Screw for 121387.....
140157J	6809	Needle Threader Hook Screw.....
140157J	6809	" " and Seam Ripper Needle Threader Hook Screw for 121634.....
140218J	23452	Zigzag Attachment Adjustable Edge Guide Screw for 121707.....
140226K	6807	Buttonhole Attachment Thumb Screw.....

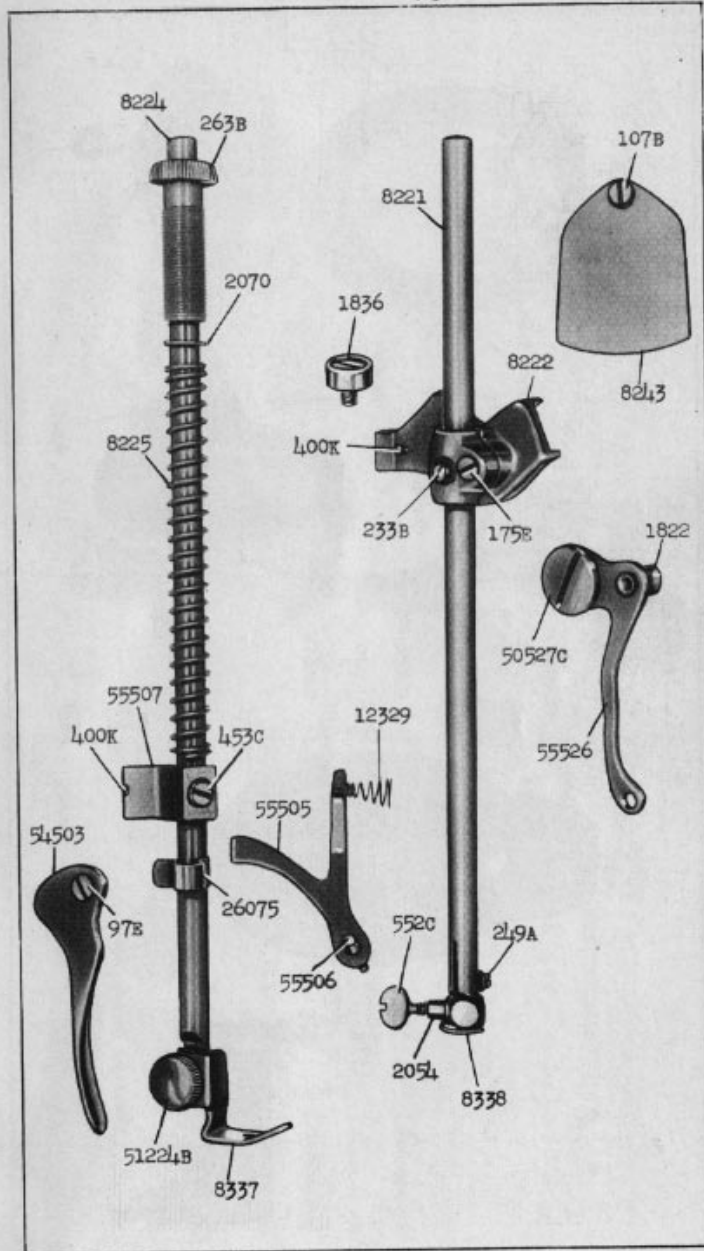


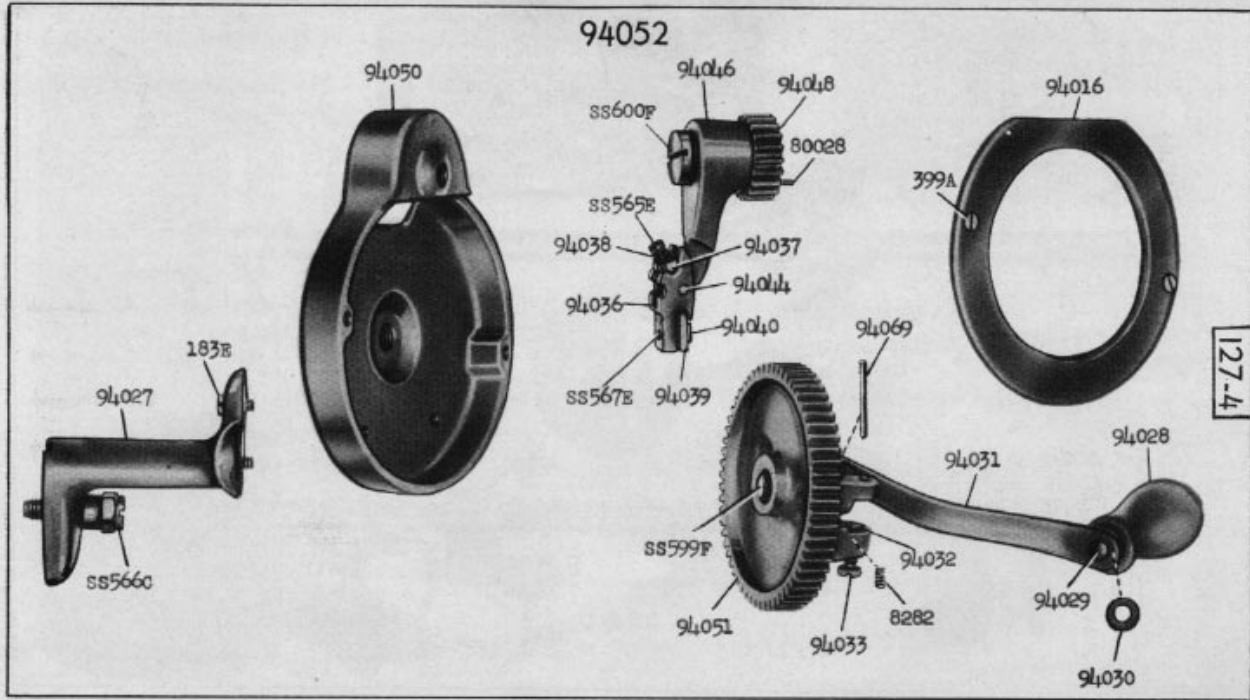
6801 - 1/3



6802 - 2/3

6803 - 2/3



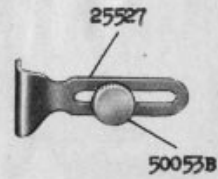
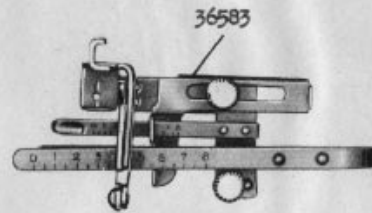
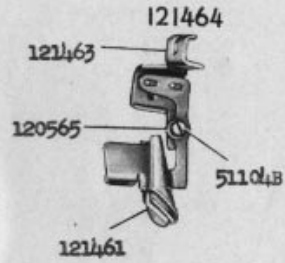
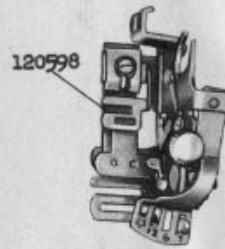


127-4

6804 - 1/2

6805 - 1/2

120604



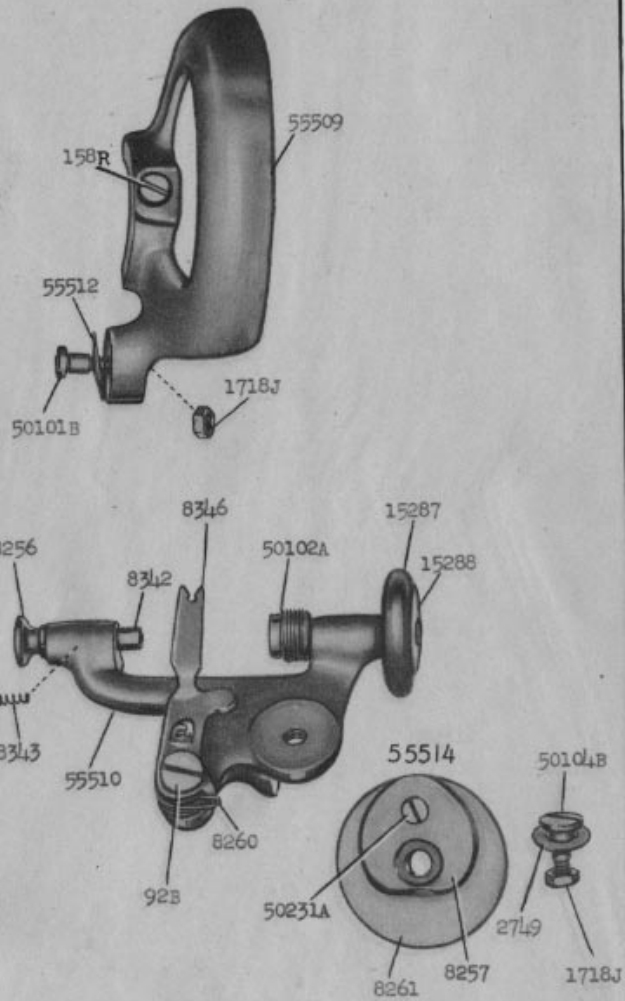
8228





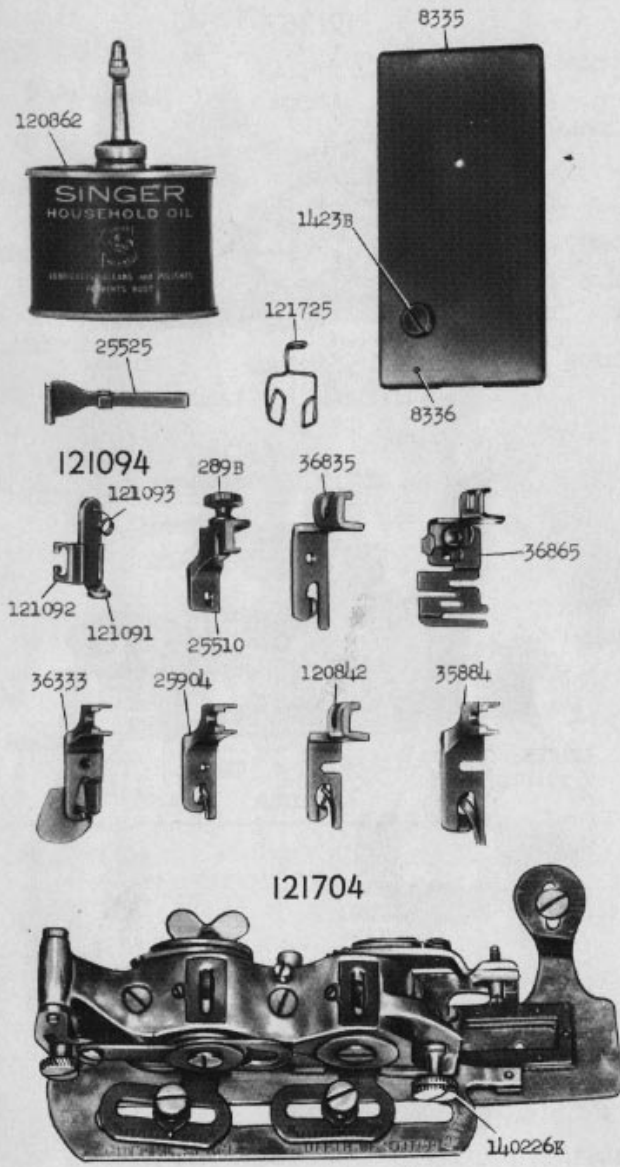
6806 - 2/3

55511



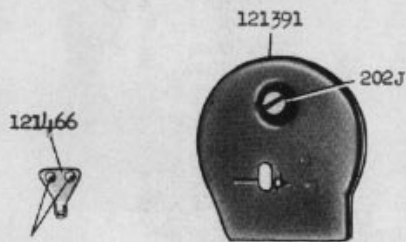
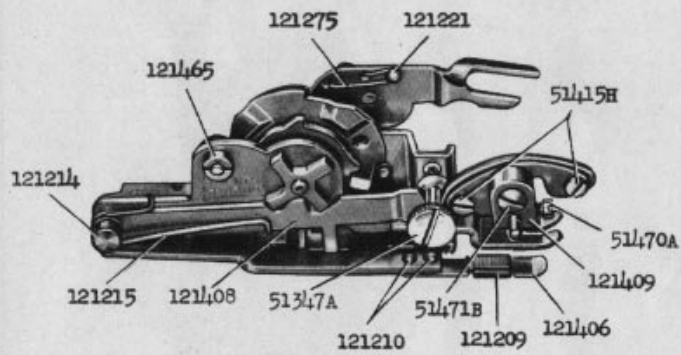
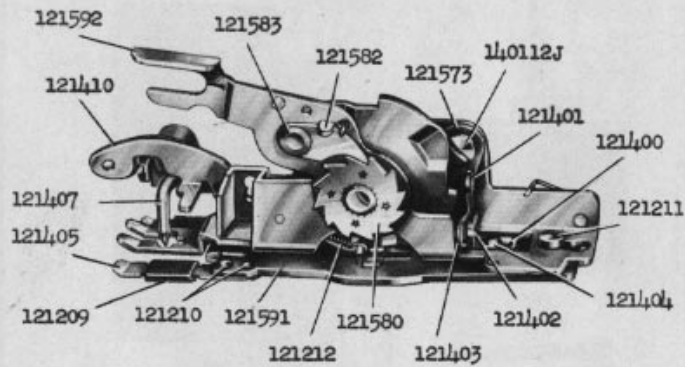
Insert in Place of Plate Now Showing

6807 - 1/2



6808 - 2/3

121387



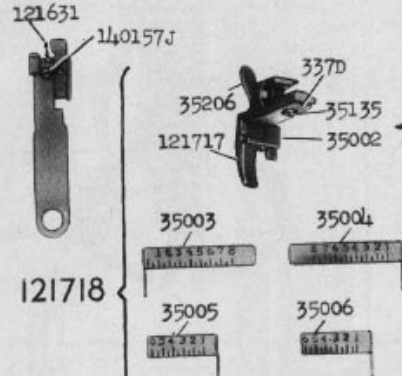
121467

6809 - 1/2

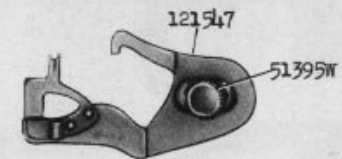
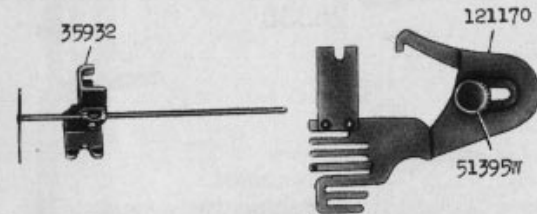
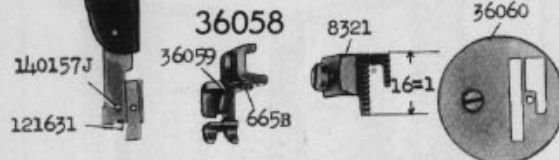
121634



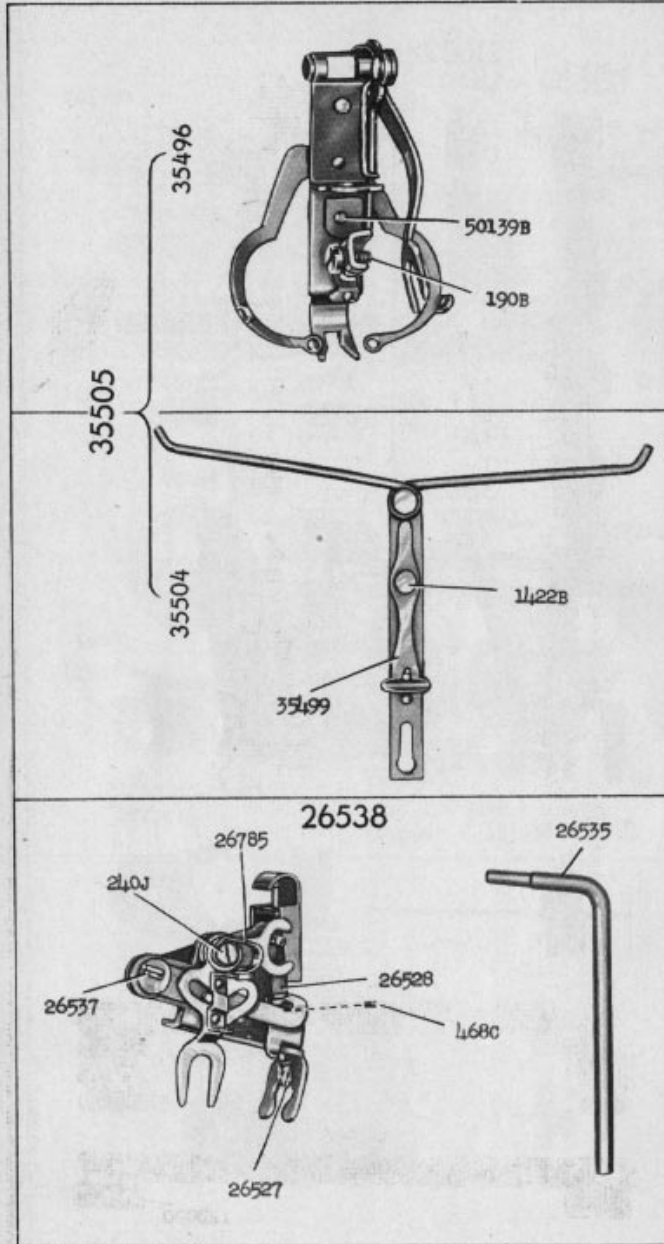
121632



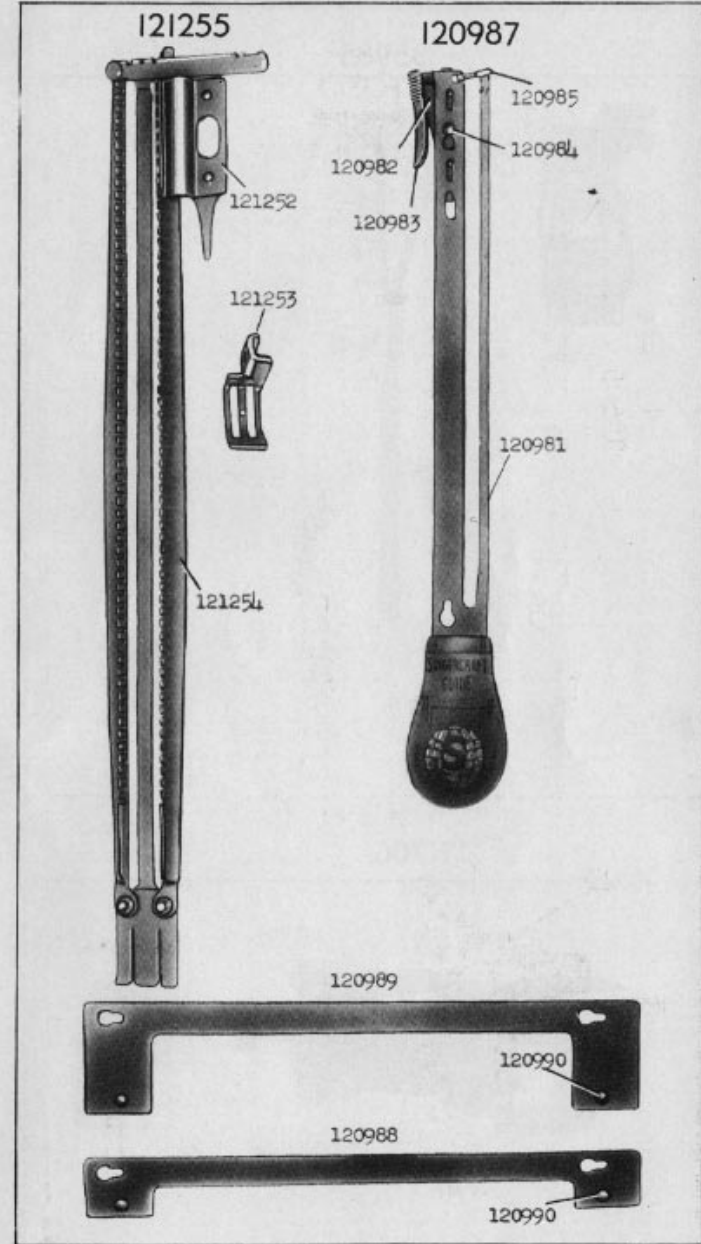
121718



21383 - 2/3

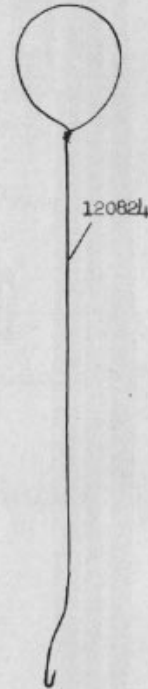


23451 - 1/2

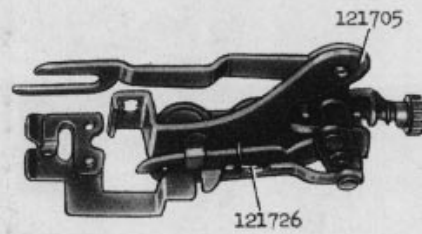


23452 - 2/3

35985



121706



## Free Manuals Download Website

<http://myh66.com>

<http://usermanuals.us>

<http://www.somanuals.com>

<http://www.4manuals.cc>

<http://www.manual-lib.com>

<http://www.404manual.com>

<http://www.luxmanual.com>

<http://aubethermostatmanual.com>

Golf course search by state

<http://golfingnear.com>

Email search by domain

<http://emailbydomain.com>

Auto manuals search

<http://auto.somanuals.com>

TV manuals search

<http://tv.somanuals.com>