

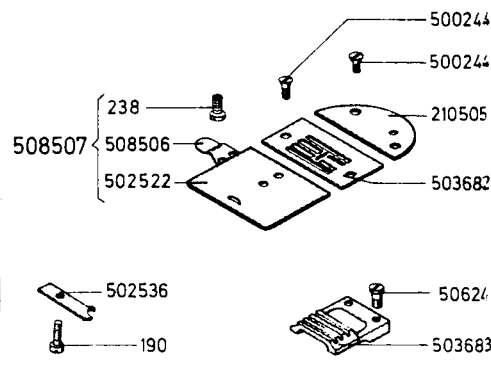
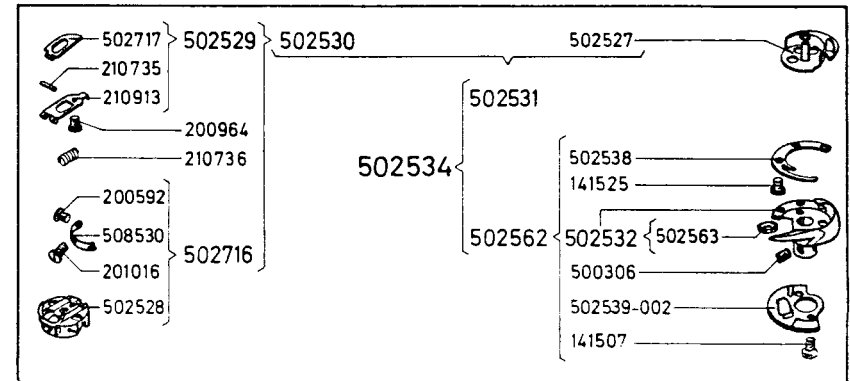
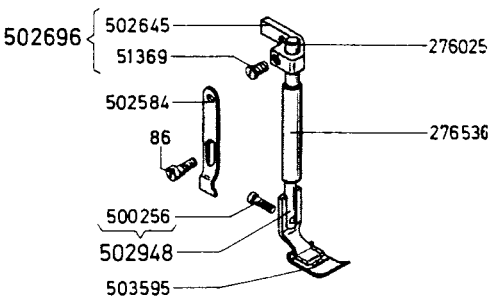
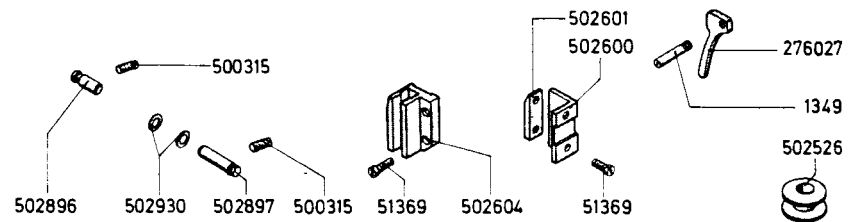
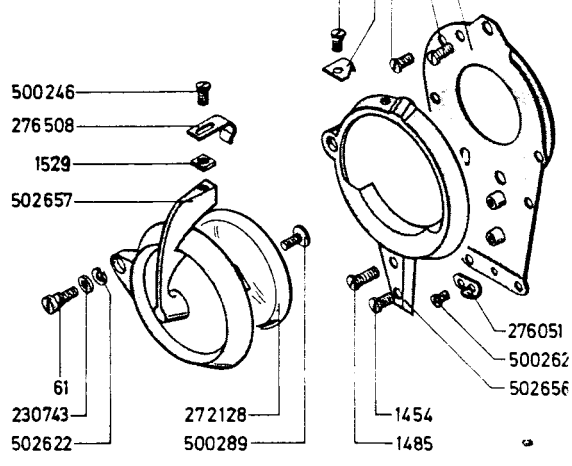
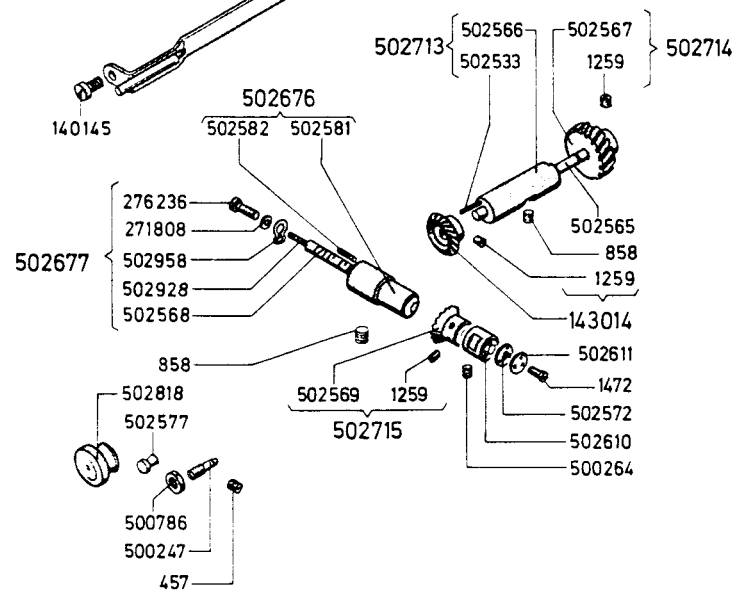
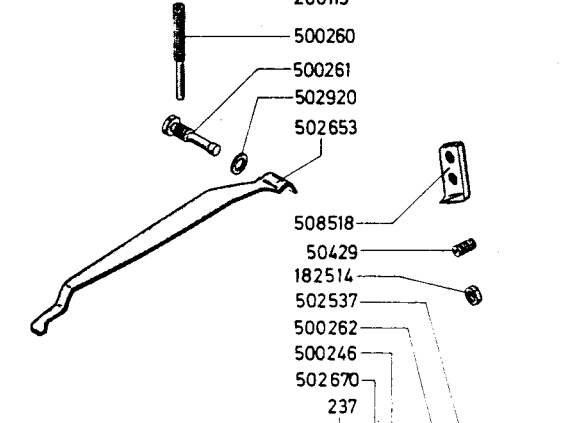
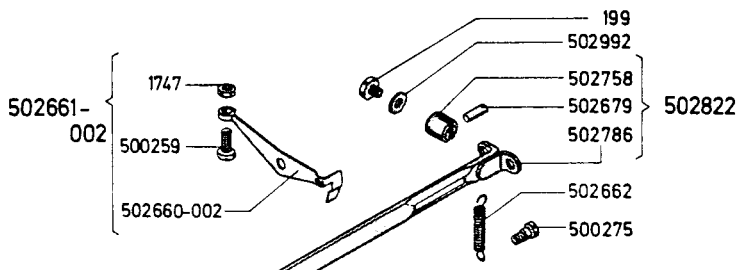
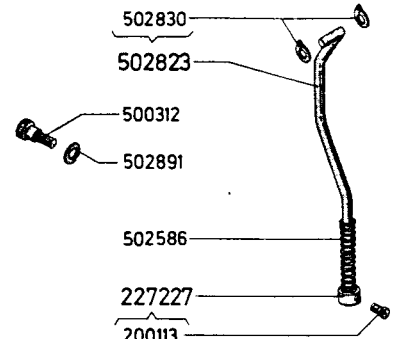
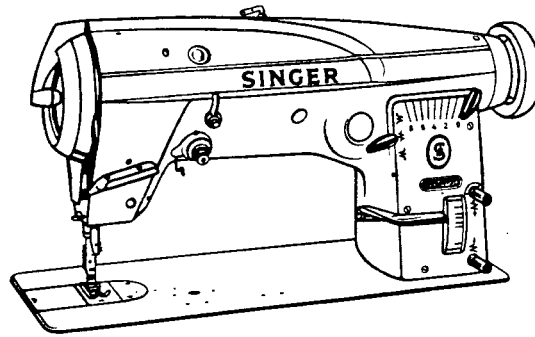
# **SINGER**

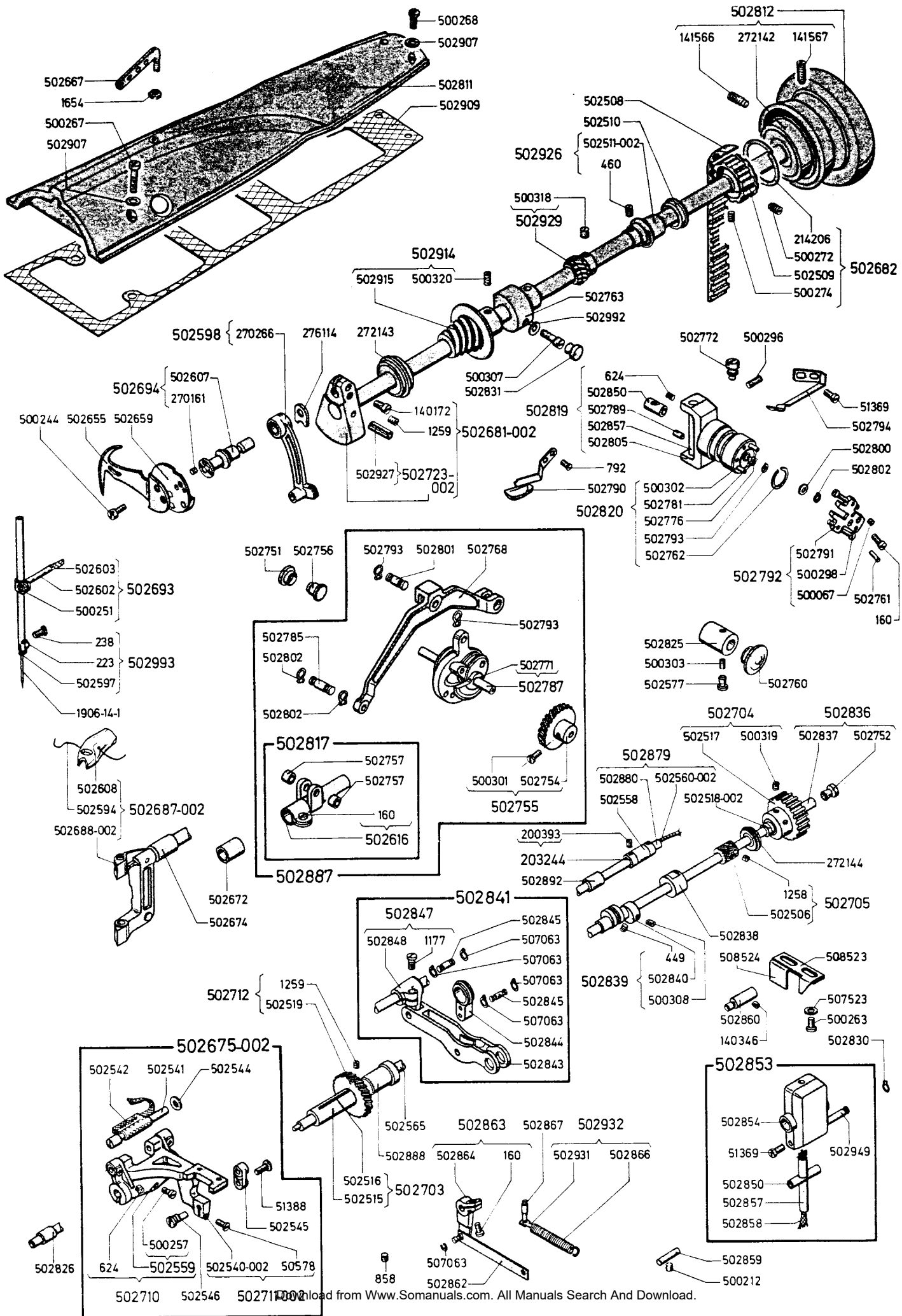
## **457G105,G115,G116,G117**

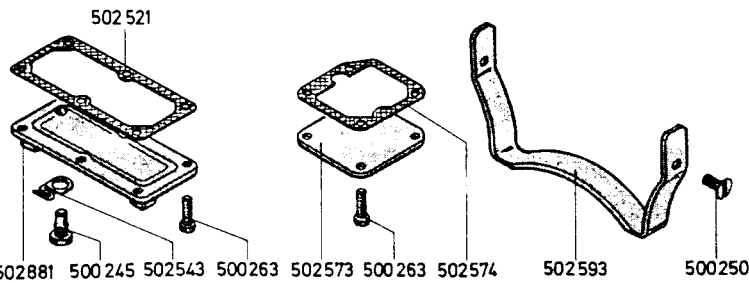
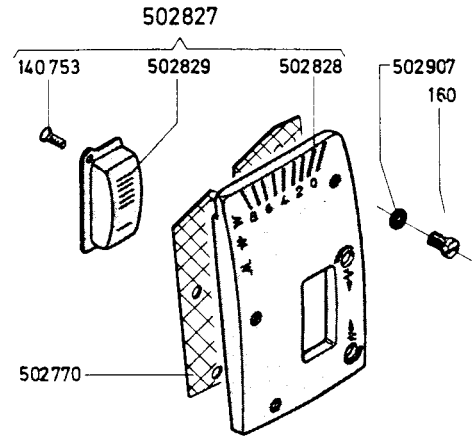
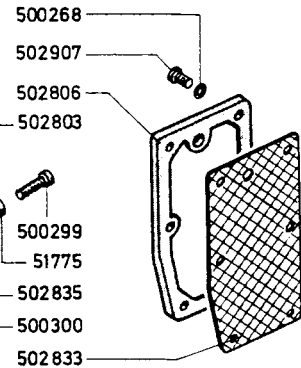
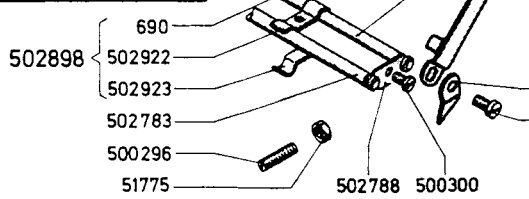
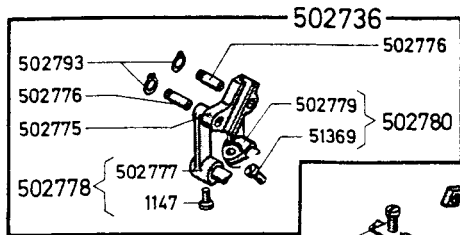
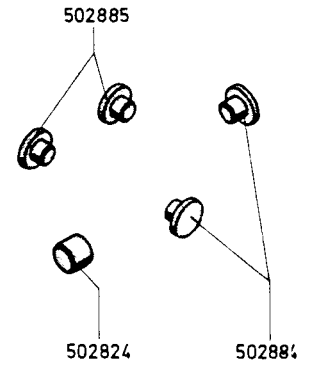
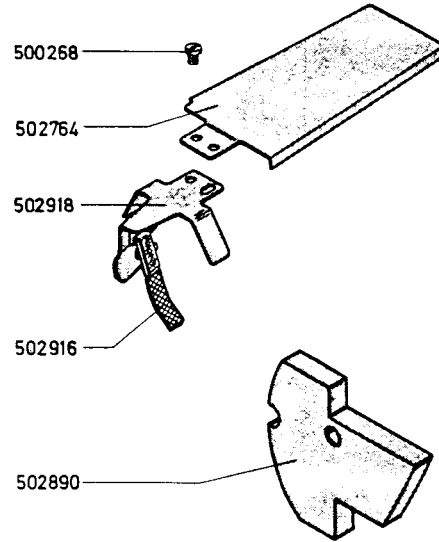
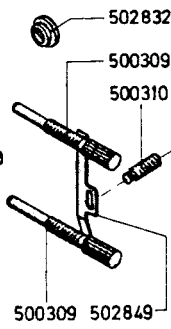
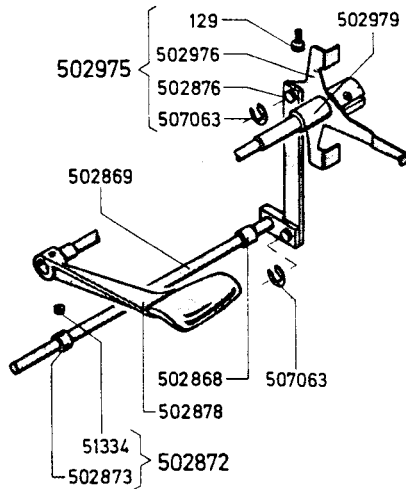
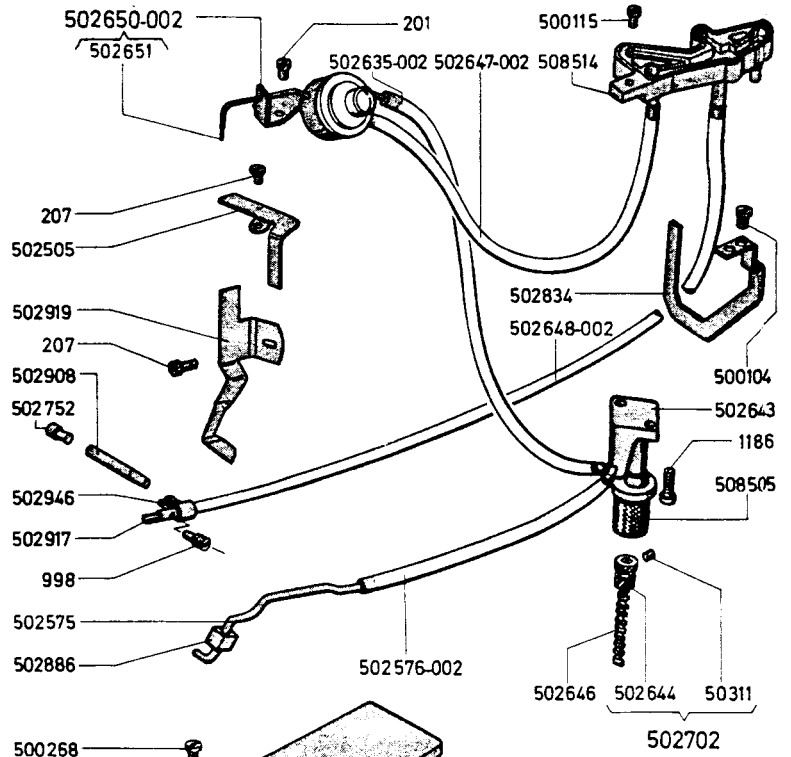
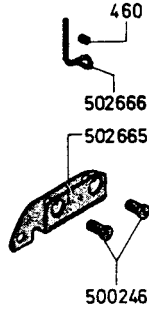
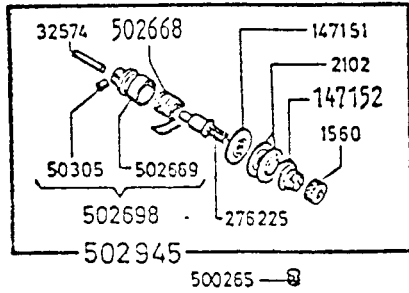
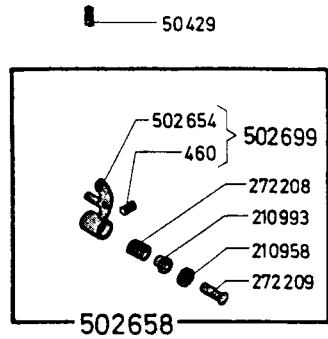
# SINGER

## ILLUSTRATED PARTS LIST FORM 30-324 G (1267/926)

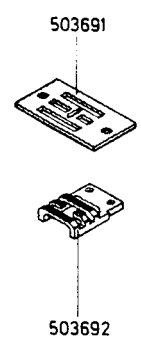
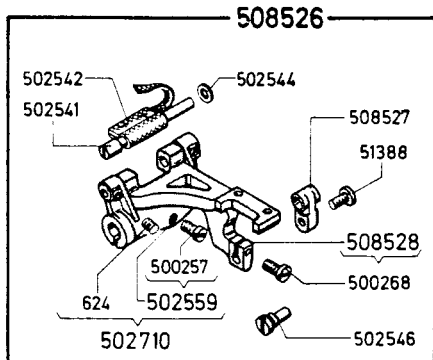
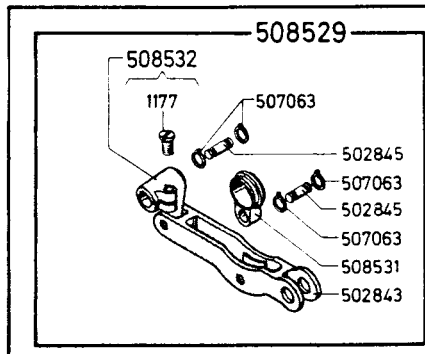
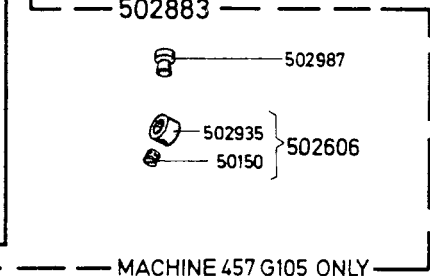
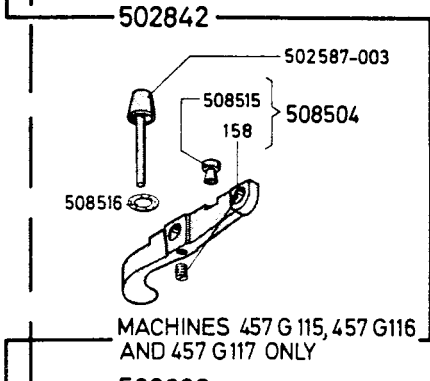
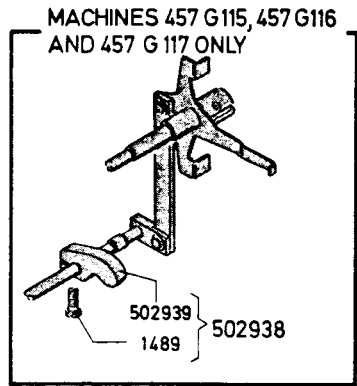
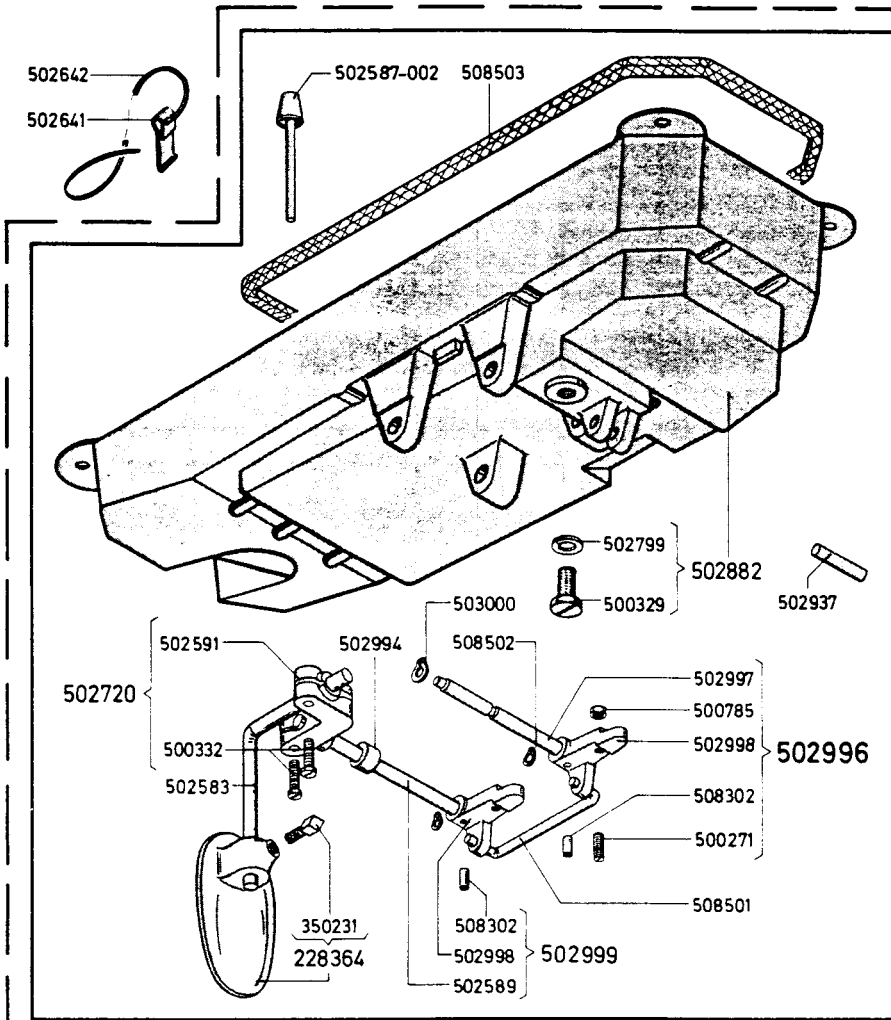
FOR MACHINES: 457 G 105, 457 G 115, 457 G 116, 457 G 117



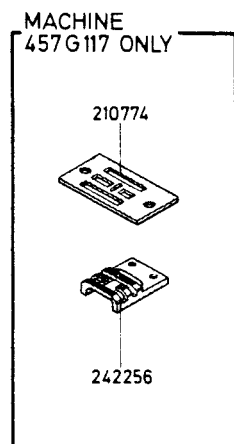
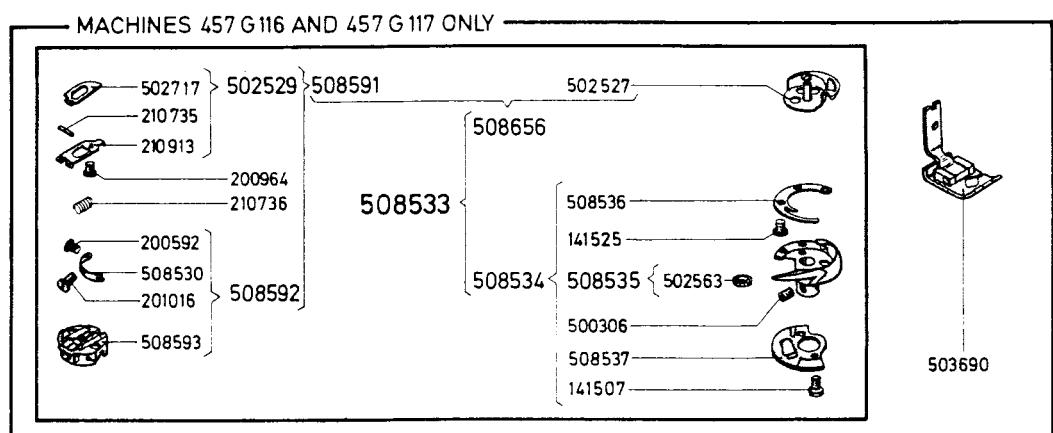




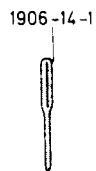
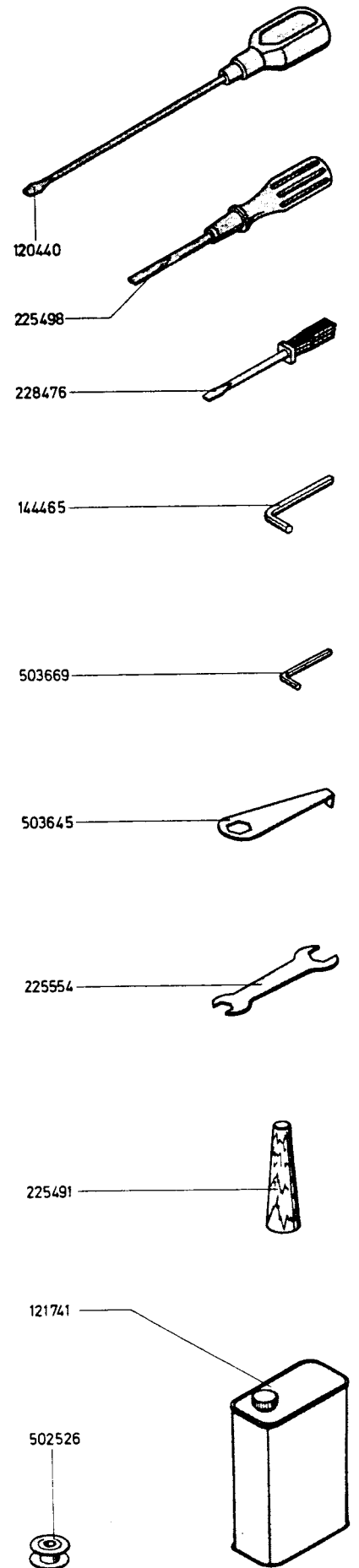
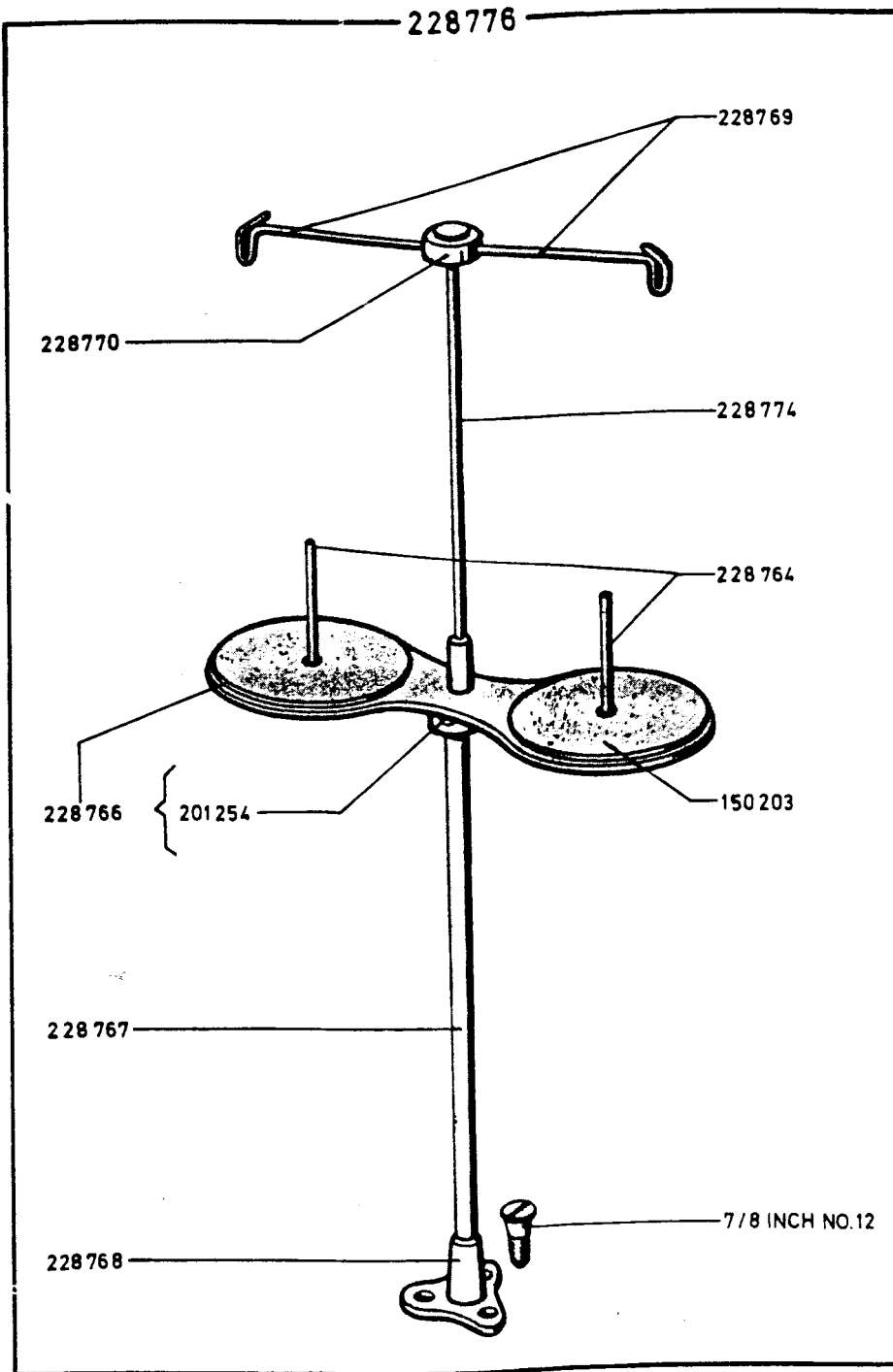
THE SINGER COMPANY  
Copyright © 1967 by THE SINGER COMPANY



MACHINE 457 G116 ONLY



# ACCESSORIES FOR 457G105, 457G115 457G116, 457G117



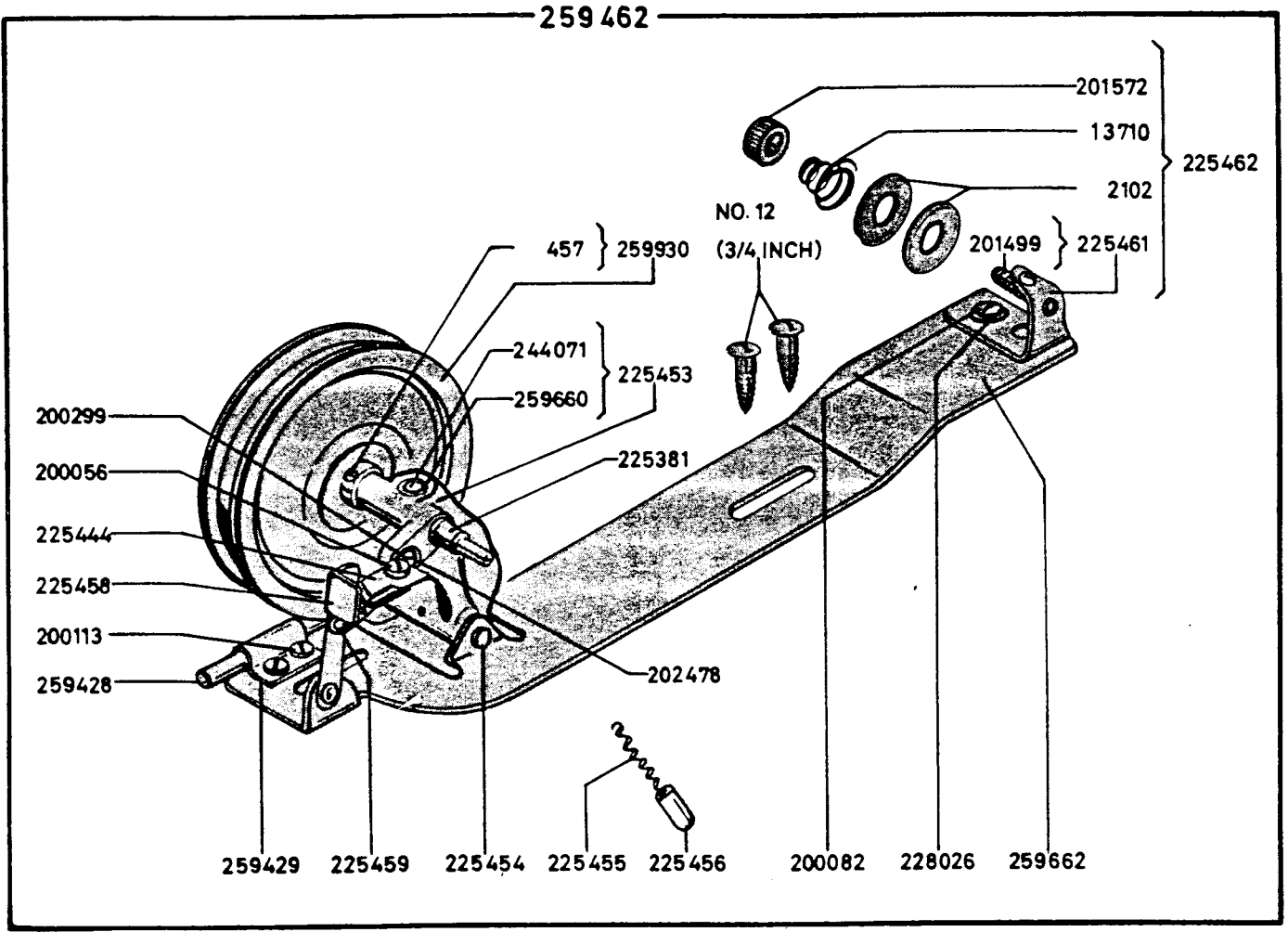
PART NO.	FOR CLASS 457 G				DESCRIPTION	PART NO.	FOR CLASS 457 G				DESCRIPTION
	105	115	116	117			105	115	116	117	
NO. 12	x	x	x	x	BOBBIN WINDER WOOD SCREW (3/4 INCH) (2)	051388-850	x	x	x	x	FEED BAR LIFTING LINK HINGE PIN CAP SCREW
NO. 12	x	x	x	x	THREAD UNWINDER WOOD SCREW (7/8 INCH) (3)	051775-850	x	x	x	x	NEEDLE VIBRATING ADJUSTING LEVER STOP SCREW NUT (2)
000061-850	x	x	x	x	ROTARY TAKE-UP GUARD HINGE SCREW	120440	x	x	x	x	SCREW DRIVER
000086-850	x	x	x	x	KNEE LIFTER LIFTING LINK SCREW	121741	x	x	x	x	ONE QUART CAN FILLED WITH LIGHT GRADE OIL
000129-850	x	-	-	-	FEED REGULATING SHAFT INDICATOR LEVER PINCH SCREW	140145-803	x	x	x	x	KNEE LIFTER ROCK FRAME HINGE SCREW
000158-850	-	x	x	x	FOOT CONTROL REVERSE FEED LEVER SET SCREW	140172-850	x	x	x	x	NEEDLE BAR CRANK STUD PINCH SCREW
000160-850	x	x	x	x	NEEDLE BAR YOKE CONNECTING LINK HINGE BEARING PINCH SCREW	140346-833	x	x	x	x	FEED DRIVING CONNECTION CARRIER FRAME BEARING STUD SET SCREW (RIGHT)
000160-850	x	x	x	x	NEEDLE POSITION ADJUSTING ECCENTRIC SLIDE BLOCK BRACKET SCREW (2)	140753-850	x	x	x	x	STITCH LENGTH INDICATOR PLATE SCREW (2)
000160-850	x	x	x	x	ARM COVER (FRONT) SCREW (3)	141507-803	x	x	x	x	HOOK NEEDLE GUARD AND COUNTER-BALANCE SCREW
000160-850	x	x	x	x	FEED REGULATING CONNECTION SHAFT CRANK PINCH SCREW	141525-806	x	x	x	x	HOOK GIB SCREW (3)
000176-850	x	x	x	x	ATTACHMENT SCREW	141566-833	x	x	x	x	MACHINE PULLEY POSITION SCREW
000190-850	x	x	x	x	BOBBIN CASE STOP SCREW	141567-833	x	x	x	x	MACHINE PULLEY SET SCREW
000199-850	x	x	x	x	KNEE LIFTER ROCK FRAME HINGE STUD LOCK SCREW	143014	x	x	x	x	HOOK DRIVING SHAFT BEVEL GEAR CPL. TWO 1259
000201-850	x	x	x	x	OIL SIGHT BODY SCREW (2)	144465	x	x	x	x	WRENCH (1/8 INCH HEXAGON)
000207-803	x	x	x	x	ARM HEAD OIL DRAIN WICK CLAMP SCREW (2)	147151	x	x	x	x	TENSION RELEASING DISC
000223-850	x	x	x	x	NEEDLE SET SCREW	147152	x	x	x	x	TENSION SPRING
000237-833	x	x	x	x	THREAD CUTTER (ON ROTARY TAKE-UP GUARD) SCREW	150203	x	x	x	x	THREAD UNWINDER SPOOL REST CUSHION (FELT) (2)
000238-850	x	x	x	x	NEEDLE BAR THREAD GUIDE SET SCREW	182514-819	x	x	x	x	THREAD CUTTER (ON FACE PLATE) ADJUSTING SCREW NUT
000238-850	x	x	x	x	BED SLIDE SPRING SCREW (2)	200056-805	x	x	x	x	BOBBIN WINDER STOP LATCH SCREW
000289-850	x	x	x	x	CLOTH GUIDE THUMB SCREW	200082-804	x	x	x	x	BOBBIN WINDER TENSION BRACKET SCREW
000449-830	x	x	x	x	FEED DRIVING ECCENTRIC SET SCREW	200113-806	x	x	x	x	BOBBIN WINDER BRAKE CLAMP SCREW
000457-830	x	x	x	x	HOOK OIL BYPASS PLUG SCREW	200113-850	x	x	x	x	KNEE LIFTER LIFTING ROD COLLAR SET SCREW
000457-830	x	x	x	x	BOBBIN WINDER PULLEY SET SCREW	200299-819	x	x	x	x	BOBBIN WINDER STOP LATCH TRIP HINGE SCREW
000460-833	x	x	x	x	ARM SHAFT OIL SLINGER AND PINION SET SCREW	200393-833	x	x	x	x	FEED DRIVING ROCK SHAFT COLLAR SET SCREW (4)
000460-833	x	x	x	x	PRETENSION BRACKET SCREW	200592-803	x	x	x	x	BOBBIN CASE CAP TENSION SPRING SCREW
000624-833	x	x	x	x	NEEDLE BAR YOKE CONNECTING LINK CARRIER FRAME SLIDE STUD SET SCREW (2)	200964-803	x	x	x	x	BOBBIN CASE LATCH STOP SCREW
000624-833	x	x	x	x	FEED BAR HINGE PIN SET SCREW (2)	201016-803	x	x	x	x	BOBBIN CASE CAP TENSION SPRING REGULATING SCREW
000690-850	x	x	x	x	NEEDLE VIBRATING ADJUSTING SHAFT CLAMPING BRACKET PINCH SCREW	201254-803	x	x	x	x	THREAD UNWINDER SPOOL REST SET SCREW
000792-850	x	x	x	x	NEEDLE POSITION ADJUSTING LEVER SCREW (2)	201499-819	x	x	x	x	BOBBIN WINDER TENSION STUD
000858-833	x	x	x	x	BED SHAFT BUSHING (FRONT, CENTER, BACK) SET SCREW (3)	201572-819	x	x	x	x	BOBBIN WINDER TENSION STUD THUMB NUT
000858-833	x	x	x	x	HOOK DRIVING SHAFT BUSHING SET SCREW	202478	x	x	x	x	BOBBIN WINDER STOP LATCH TRIP LEVER
000858-833	x	x	x	x	HOOK SHAFT PRESSURE BUSHING SET SCREW	203244	x	x	x	x	FEED DRIVING ROCK SHAFT COLLAR (2) WITH TWO EACH 200393
000998-833	x	x	x	x	OIL RETURN TUBE SCREW	210505	x	x	x	x	BED PLATE (BACK)
001147-850	x	x	x	x	NEEDLE VIBRATING ADJUSTING G'IDE CRANK SET SCREW	210735	x	x	x	x	BOBBIN CASE LATCH FULCRUM PIN
001177-850	x	x	x	x	FEED DRIVING CONNECTION CRANK PINCH SCREW	210736	x	x	x	x	BOBBIN CASE LATCH SPRING
001186-850	x	x	x	x	OIL PUMP MOUNTING SCREW (2)	210774	-	-	-	-	THROAT PLATE, 53 NEEDLE HOLE FOR NEEDLE SIZES 12 AND 13
001258-830	x	x	x	x	OIL PUMP DRIVING GEAR SET SCREW (2)	210913	x	x	x	x	BOBBIN CASE LATCH
001259-830	x	x	x	x	NEEDLE BAR CRANK STUD POSITION SCREW	210958	x	x	x	x	PRETENSION BRACKET COLLAR
001259-830	x	x	x	x	BED SHAFT GEAR SET SCREW (2)	210993	x	x	x	x	PRETENSION BRACKET SLEEVE
001259-830	x	x	x	x	HOOK DRIVING SHAFT BEVEL GEAR SET SCREW (2)	214206	x	x	x	x	ARM SHAFT CONNECTION BELT PULLEY SPRING FLANGE
001259-830	x	x	x	x	HOOK DRIVING SHAFT HELICAL GEAR SET SCREW (2)	225381	x	x	x	x	BOBBIN WINDER SPINDLE
001349-850	x	x	x	x	HOOK SHAFT BEVEL GEAR SET SCREW (2)	225444	x	x	x	x	BOBBIN WINDER STOP LATCH
001454-850	x	x	x	x	PRESSER BAR LIFTER HINGE SCREW	225453	x	x	x	x	BOBBIN WINDER FRAME WITH 244071 AND 259660
001472-850	x	x	x	x	ROTARY TAKE-UP GUARD SCREW, SHORT	225454	x	x	x	x	BOBBIN WINDER FRAME HINGE PIN
001485-850	x	x	x	x	HOOK SHAFT BUSHING (FRONT) SET SCREW (3)	225455	x	x	x	x	BOBBIN WINDER FRAME SPRING
001489-850	-	x	x	x	ROTARY TAKE-UP GUARD SCREW, LONG	225456	x	x	x	x	BOBBIN WINDER FRAME SPRING PLUNGER
001529-850	x	x	x	x	FOOT CONTROL REVERSE FEED CONNECTING SHAFT LEVER PINCH SCREW	225458	x	x	x	x	BOBBIN WINDER STOP LATCH THUMB LEVER
001560-850	x	x	x	x	ROTARY TAKE-UP GUARD COVER SPRING CATCH SCREW NUT	225459	x	x	x	x	BOBBIN WINDER STOP LATCH THUMB LEVER HINGE AND JOINT STUD (2)
001654-850	x	x	x	x	TENSION THUMB NUT	225461	x	x	x	x	BOBBIN WINDER TENSION BRACKET WITH 201499
001747-850	x	x	x	x	THREAD RETAINER LOCK NUT	225462	x	x	x	x	BOBBIN WINDER TENSION BRACKET CPL. 13710, 201572, 225461 AND TWO 2102
1906-12-1	x	x	x	x	TENSION RELEASER ADJUSTING SCREW LOCK NUT	225491	x	x	x	x	MACHINE REST PIN (WOOD)
1906-14-1	x	x	x	x	NEEDLE (3)	225498	x	x	x	x	SCREW DRIVER
002102	x	x	x	x	NEEDLE (1-2)	225554	x	x	x	x	WRENCH
002102	x	x	x	x	TENSION DISC (2)	227227	x	x	x	x	KNEE LIFTER LIFTING ROD COLLAR CPL. TWO 200113
012361	x	x	x	x	BOBBIN WINDER TENSION DISC (2)	228026	x	x	x	x	BOBBIN WINDER TENSION BRACKET SCREW WASHER
013710	x	x	x	x	MACHINE HINGE CONNECTION (2)	228364	x	x	x	x	KNEE LIFTER KNEE PLATE CPL. 350251
032574	x	x	x	x	BOBBIN WINDER TENSION SPRING	228476	x	x	x	x	SCREW DRIVER (BOBBIN CASE)
050150-833	x	-	-	-	TENSION RELEASING PIN	228764	x	x	x	x	THREAD UNWINDER SPOOL PIN (2)
050305-850	x	x	x	x	FEED REVERSING FOOT CONTROL LEVER PIN COLLAR SET SCREW	228766	x	x	x	x	THREAD UNWINDER SPOOL REST WITH 201254
050311-830	x	x	x	x	THREAD TAKE-UP SPRING REGULATOR SET SCREW	228767	x	x	x	x	THREAD UNWINDER SPOOL REST ROD
050429-833	x	x	x	x	OIL PUMP GEAR SET SCREW (2)	228768	x	x	x	x	THREAD UNWINDER SPOOL STAND
050429-833	x	x	x	x	PRETENSION BRACKET SCREW	228769	x	x	x	x	THREAD UNWINDER THREAD GUIDE (2)
050578-850	x	x	x	x	THREAD CUTTER (ON FACE PLATE) ADJUSTING SCREW	228770	x	x	x	x	THREAD UNWINDER THREAD GUIDE HOLDER
050624-830	x	x	x	x	FEED BAR LIFTING LINK HINGE PIN PINCH SCREW	228774	x	x	x	x	THREAD UNWINDER THREAD GUIDE ROD
051334-830	x	x	x	x	FEED DOG SCREW (2)	228776	x	x	x	x	THREAD UNWINDER CPL. (FOR TWO SPOOLS) 228766, 228767, 228768, 228770, 228774, TWO EACH 150203, 228764, 228769 AND THREE WOOD SCREWS
051369-850	x	x	x	x	NEEDLE VIBRATING ADJUSTING CRANK PINCH SCREW	230743-803	x	x	x	x	HINGE SCREW THRUST WASHER
051369-850	x	x	x	x	NEEDLE POSITION ADJUSTING ECCENTRIC POSITION SPRING SCREW (2)	231337	x	x	x	x	CLOTH GUIDE
051369-850	x	x	x	x	NEEDLE BAR CONNECTING STUD GUIDE BLOCK SCREW (2)	242256	-	-	-	-	FEED DOG
051369-850	x	x	x	x	NEEDLE BAR CONNECTING LINK CLAMPING PLATE SCREW (2)	244071	x	x	x	x	BOBBIN WINDER FRAME OIL PACKING (WICK)
051369-850	x	x	x	x	PRESSER BAR POSITION GUIDE PINCH SCREW	259428	x	x	x	x	BOBBIN WINDER BRAKE (LEATHER)
051369-850	x	x	x	x	FEED DRIVING CONNECTION CARRIER FRAME SLIDE STUD SET SCREW	259429	x	x	x	x	BOBBIN WINDER BRAKE CLAMP
						259462	x	x	x	x	UNIVERSAL BOBBIN WINDER CPL. 200056, 200082, 200113, 200299, 202478, 225381, 225444, 225453 TO 225456, 225458, 225462, 259428, 259429, 259662, 259930, TWO EACH 225459 AND WOOD SCREW
						259660	x	x	x	x	BOBBIN WINDER FRAME OIL WELL WASHER
						259662	x	x	x	x	BOBBIN WINDER AND TENSION BRACKET BASE
						259930	x	x	x	x	BOBBIN WINDER PULLEY WITH 457

PART NO.	FOR CLASS 457 G				DESCRIPTION	PART NO.	FOR CLASS 457 G				DESCRIPTION
	105	115	116	117			105	115	116	117	
Z70161	x	x	x	x	NEEDLE BAR CRANK STUD PIN	500786-850	x	x	x	x	HOOK OIL REGULATING SCREW NUT
Z70266	x	x	x	x	NEEDLE BAR CONNECTING LINK NEEDLE BEARING	502505	x	x	x	x	ARM HEAD OIL DRAIN WICK CLAMP (FRONT)
Z71808	x	x	x	x	HOOK SHAFT OIL FILTER WICK HOLDER SEAL	502506	x	x	x	x	OIL PUMP DRIVING GEAR
Z72128	x	x	x	x	ROTARY TAKE-UP GUARD COVER WINDOW	502508	x	x	x	x	ARM SHAFT CONNECTION BELT
Z72142	x	x	x	x	ARM SHAFT BALL BEARING	502509	x	x	x	x	ARM SHAFT CONNECTION BELT PULLEY
Z72143	x	x	x	x	ARM SHAFT BALL BEARING	502510	x	x	x	x	ARM SHAFT OIL SHIELD
Z72144	x	x	x	x	BED SHAFT BALL BEARING	502511-002	x	x	x	x	ARM SHAFT OIL SLINGER AND PINION SPACER
Z72208	x	x	x	x	PRETENSION BRACKET SPRING	502515	x	x	x	x	BED SHAFT BUSHING (FRONT)
Z72209	x	x	x	x	PRETENSION BRACKET STUD	502516	x	x	x	x	BED SHAFT BUSHING OIL WICK
Z76025	x	x	x	x	PRESSER BAR BALL	502517	x	x	x	x	BED CONNECTION BELT PULLEY
Z76027	x	x	x	x	PRESSER BAR LIFTER	502518-002	x	x	x	x	BED CONNECTION BELT PULLEY SPACER
Z76051	x	x	x	x	THREAD GUIDE ON FACE PLATE	502519	x	x	x	x	BED SHAFT GEAR
Z76114	x	x	x	x	NEEDLE BAR CONNECTING LINK THRUST WASHER	502521	x	x	x	x	BED SHAFT GEAR BOX COVER GASKET
Z76225	x	x	x	x	TENSION STUD	502522	x	x	x	x	BED SLIDE
Z76236	x	x	x	x	HOOK SHAFT OIL FILTER WICK HOLDER	502526	x	x	x	x	BOBBIN (1+2)
Z76508	x	x	x	x	ROTARY TAKE-UP GUARD SPRING CATCH	502527	x	x	x	x	BOBBIN CASE BASE
Z76536	x	x	x	x	PRESSER BAR BUSHING	502528	x	x	-	-	BOBBIN CASE CAP
350231-850	x	x	x	x	KNEE LIFTER KNEE PLATE SET SCREW	502529	x	x	x	x	BOBBIN CASE LATCH CPL. 210735, 210913, 502717
500067-830	x	x	x	x	NEEDLE POSITION ADJUSTING ECCENTRIC STOP SCREW SET SCREW (2)	502530	x	x	-	-	BOBBIN CASE CAP CPL. 200964, 210736, 502529, 502716
500104-850	x	x	x	x	ARM OIL SHIELD (AERATED PLASTIC) RETAINER SCREW (2)	502531	x	x	-	-	BOBBIN CASE CPL. 502527, 502530
500115-850	x	x	x	x	OIL DISTRIBUTOR PLATE SCREW	502532	x	x	-	-	HOOK BODY WITH 502563
500212-833	x	x	x	x	FEED DRIVING CONNECTION CARRIER FRAME BEARING STUD (LEFT) SET SCREW	502533	x	x	x	x	HOOK DRIVING SHAFT BUSHING OIL WICK
500244-850	x	x	x	x	ROTARY TAKE-UP SCREW (2)	502534	x	x	-	-	HOOK AND BOBBIN CASE CPL. 502531, 502562
500244-850	x	x	x	x	BED PLATE SCREW (BACK) (2)	502536	x	x	x	x	BOBBIN CASE STOP
500244-833	x	x	x	x	THROAT PLATE SCREW (2)	502537	x	x	x	x	FACE PLATE
500245-805	x	x	x	x	BED SHAFT GEAR BOX OVERFLOW AND DRAIN PLUG SCREW	502538	x	x	-	-	HOOK GIB
500246-850	x	x	x	x	THREAD GUIDE SCREW (2)	502539-002	x	x	-	-	HOOK NEEDLE GUARD COUNTERBALANCE
500246-850	x	x	x	x	FACE PLATE SCREW (8)	502540-002	x	x	x	x	FEED BAR
500246-850	x	x	x	x	ROTARY TAKE-UP GUARD SPRING CATCH SCREW	502541	x	x	x	x	FEED BAR HINGE PIN
500247-833	x	x	x	x	HOOK OIL REGULATING SCREW	502542	x	x	x	x	FEED BAR HINGE PIN OILING FELT
500250-850	x	x	x	x	MACHINE LEG SCREW (2)	502543	x	x	x	x	FEED BAR HINGE PIN OILING FELT CLAMP
500251-850	x	x	x	x	NEEDLE BAR CONNECTING STUD PINCH SCREW	502544	x	x	x	x	FEED BAR HINGE PIN THRUST WASHER (2)
500256-850	x	x	x	x	PRESSER FOOT SCREW	502545	x	x	-	x	FEED BAR LIFTING LINK
500257-850	x	x	x	x	FEED DRIVING ROCK SHAFT CRANK PINCH SCREW	502546	x	x	x	x	FEED BAR LIFTING LINK HINGE PIN
500259-803	x	x	x	x	TENSION RELEASER ADJUSTING SCREW	502558	x	x	x	x	FEED DRIVING ROCK SHAFT BUSHING (BACK)
500260-830	x	x	x	x	PRESSER BAR SPRING SCREW	502559	x	x	x	x	FEED DRIVING ROCK SHAFT CRANK WITH 500257
500261-850	x	x	x	x	PRESSER BAR SPRING SCREW STUD	502560-002	x	x	x	x	FEED DRIVING ROCK SHAFT OIL WICK
500262-833	x	x	x	x	THREAD GUIDE (ON FACE PLATE) SCREW	502562	x	x	-	-	HOOK CPL. 141507, 502532, 502538, 502539-002, 502563, TWO 500306, THREE 141525
500262-833	x	x	x	x	THREAD CUTTER (ON FACE PLATE) SCREW	502563	x	x	x	x	HOOK OIL RETAINING WASHER
500263-850	x	x	x	x	BED SHAFT GEAR BOX COVER SCREW (6)	502565	x	x	x	x	HOOK DRIVING SHAFT
500263-850	x	x	x	x	FEED DRIVING CONNECTION CARRIER FRAME STOP SCREW (2)	502566	x	x	x	x	HOOK DRIVING SHAFT BUSHING
500263-850	x	x	x	x	HOOK SHAFT GEAR BOX COVER SCREW (4)	502567	x	x	x	x	HOOK DRIVING SHAFT HELICAL GEAR
500264-830	x	x	x	x	HOOK SHAFT BUSHING (FRONT) SET SCREW	502568	x	x	x	x	HOOK SHAFT
500265-833	x	x	x	x	THREAD REGULATOR SET SCREW	502569	x	x	x	x	HOOK SHAFT BEVEL GEAR
500267-850	x	x	x	x	ARM COVER (TOP) SCREW (LONG) (2)	502572	x	x	x	x	HOOK SHAFT BUSHING CAP GASKET
500268-850	x	x	x	x	ARM COVER (BACK) SCREW (6)	502573	x	x	x	x	HOOK SHAFT GEAR BOX COVER
500268-850	x	x	x	x	ARM COVER (TOP) SCREW (SHORT) (2)	502574	x	x	x	x	HOOK SHAFT GEAR BOX COVER GASKET
500268-850	x	x	x	x	OIL GUARD SCREW (2)	502575	x	x	x	x	HOOK SHAFT GEAR BOX OIL PIPE
500271-833	x	x	x	x	KNEE LIFTER CONTROL SHAFT CRANK STOP SCREW	502576-002	x	x	x	x	HOOK SHAFT GEAR BOX OIL TUBE
500272-830	x	x	x	x	ARM SHAFT CONNECTION BELT PULLEY SET SCREW	502577	x	x	x	x	HOOK SHAFT GEAR BOX PLUG
500274-830	x	x	x	x	ARM SHAFT CONNECTION BELT PULLEY POSITION SCREW	502581	x	x	x	x	NEEDLE VIBRATING ECCENTRIC SHAFT BUSHING (FRONT) SET SCREW PLUG
500275-850	x	x	x	x	TENSION RELEASER HINGE SCREW	502582	x	x	x	x	HOOK SHAFT PRESSURE BUSHING
500289-850	x	x	x	x	ROTARY TAKE-UP COVER WINDOW SCREW	502583	x	x	x	x	HOOK SHAFT PRESSURE BUSHING OIL WICK
500296-833	x	x	x	x	NEEDLE VIBRATING ADJUSTING LEVER STOP SCREW (LEFT)	502584	x	x	x	x	KNEE LIFTER KNEE PLATE ARM
500296-833	x	x	x	x	NEEDLE POSITION ADJUSTING ECCENTRIC REGULATING STUD SET SCREW	502586	x	x	x	x	KNEE LIFTER LIFTING LINK
500298-850	x	x	x	x	NEEDLE POSITION ADJUSTING ECCENTRIC STOP SCREW (2)	502587-002	x	x	x	x	KNEE LIFTER LIFTING ROD SPRING
500299-850	x	x	x	x	NEEDLE VIBRATING ADJUSTING LEVER STOP SCREW (RIGHT)	502587-003	-	x	x	x	KNEE LIFTER PLUNGER
500300-850	x	x	x	x	NEEDLE VIBRATING ADJUSTING SHAFT RETAINER SCREW	502589	x	x	x	x	FOOT CONTROL REVERSE FEED PLUNGER
500300-850	x	x	x	x	NEEDLE VIBRATING ADJUSTING LEVER SCREW	502591	x	x	x	x	KNEE LIFTER ROCK SHAFT
500301-850	x	x	x	x	NEEDLE VIBRATING ECCENTRIC SHAFT GEAR SET SCREW (2)	502593	x	x	x	x	KNEE LIFTER ROCK SHAFT HUB
500302-803	x	x	x	x	NEEDLE POSITION ADJUSTING ECCENTRIC STOP SCREW (2)	502594	x	x	x	x	MACHINE LEG (REAR)
500303-803	x	x	x	x	NEEDLE VIBRATING ECCENTRIC SHAFT BUSHING (FRONT) SET SCREW	502594	x	x	x	x	NEEDLE BAR OIL FELT CORD
500306-830	x	x	x	x	HOOK SET SCREW (2)	502597	x	x	x	x	NEEDLE BAR THREAD GUIDE
500307-850	x	x	x	x	ARM SHAFT BUSHING (CENTER) SCREW	502598	x	x	x	x	NEEDLE BAR CONNECTING LINK CPL. Z70266
500308-830	x	x	x	x	FEED DRIVING ECCENTRIC POSITION SCREW	502600	x	x	x	x	NEEDLE BAR CONNECTING LINK GUIDE BLOCK
500309-850	x	x	x	x	FEED REGULATING SHAFT INDICATOR STOP SCREW (2)	502601	x	x	x	x	NEEDLE BAR CONNECTING LINK CLAMPING PLATE
500310-833	x	x	x	x	FEED REGULATING SHAFT INDICATOR STOP SCREW RETAINING SPRING SCREW	502602	x	x	x	x	NEEDLE BAR CONNECTING STUD
500312-850	x	x	x	x	SINGER LIGHT STUD HOLE SCREW PLUG (FOR UN-USED HOLE)	502603	x	x	x	x	NEEDLE BAR CONNECTING STUD OIL WICK
500315-830	x	x	x	x	NEEDLE BAR YOKE GUIDE SET SCREW (2)	502604	x	x	x	x	NEEDLE BAR CONNECTING STUD GUIDE BLOCK
500318-830	x	x	x	x	NEEDLE VIBRATING PINION SET SCREW (2)	502606	x	-	-	-	FEED REVERSING FOOT CONTROL LEVER PIN COLLAR CPL. 50150, 502935
500319-830	x	x	x	x	BED CONNECTION BELT PULLEY SET SCREW (2)	502607	x	x	x	x	NEEDLE BAR CRANK STUD
500320-830	x	x	x	x	ARM HEAD OIL DRAIN WICK SLINGER SET SCREW (2)	502608	x	x	x	x	NEEDLE BAR OIL FELT
500329-850	x	x	x	x	MACHINE BASE AND OIL RESERVOIR DRAIN PLUG SCREW	502610	x	x	x	x	HOOK SHAFT BUSHING (FRONT)
500332-850	x	x	x	x	KNEE LIFTER ROCK SHAFT HUB PINCH SCREW (2)	502611	x	x	x	x	HOOK SHAFT BUSHING CAP
500785-850	x	x	x	x	KNEE LIFTER CONTROL SHAFT CRANK STOP SCREW NUT	502616	x	x	x	x	NEEDLE BAR YOKE CONNECTING LINK HINGE BEARING WITH 160
						502622	x	x	x	x	HINGE SCREW SPRING WASHER
						502635-002	x	x	x	x	OIL DELIVERY TUBE
						502641	x	x	x	x	MACHINE BASE AND OIL RESERVOIR STATIC GROUNDING CONTACT
						502642	x	x	x	x	MACHINE BASE AND OIL RESERVOIR STATIC GROUNDING CONTACT WIRE
						502643	x	x	x	x	OIL PUMP BODY
						502644	x	x	x	x	OIL PUMP GEAR
						502645	x	x	x	x	PRESSER BAR POSITION GUIDE
						502646	x	x	x	x	OIL PUMP SCREW SHAFT
						502647-002	x	x	x	x	OIL RETURN TUBE UPPER (SHORT)
						502648-002	x	x	x	x	OIL RETURN TUBE LOWER (LONG)
						502650-002	x	x	x	x	OIL SIGHT BODY AND WICK WITH 502651
						502651	x	x	x	x	OIL SIGHT WICK
						502653	x	x	x	x	PRESSER BAR SPRING



PART NO.	FOR CLASS 457 G				DESCRIPTION	PART NO.	FOR CLASS 457 G				DESCRIPTION
	105	115	116	117			105	115	116	117	
502654	x	x	x	x	PRETENSION BRACKET	502779	x	x	x	x	NEEDLE VIBRATING ADJUSTING CRANK
502655	x	x	x	x	ROTARY TAKE-UP	502780	x	x	x	x	NEEDLE VIBRATING ADJUSTING CRANK CPL. 51369, 502779
502656	x	x	x	x	ROTARY TAKE-UP GUARD	502781	x	x	x	x	NEEDLE POSITION ADJUSTING ECCENTRIC SLIDE BLOCK
502657	x	x	x	x	ROTARY TAKE-UP GUARD COVER	502782	x	x	x	x	NEEDLE VIBRATING ADJUSTING BRACKET SLIDE BLOCK
502658	x	x	x	x	PRETENSION BRACKET CPL. 210958, 210993, 272208, 272209, 502699	502783	x	x	x	x	NEEDLE VIBRATING ADJUSTING GUIDE CRANK SHAFT
502659	x	x	x	x	ROTARY TAKE-UP MOUNTING DISC	502784	x	x	x	x	NEEDLE VIBRATING ADJUSTING CRANK SHAFT
502660-002	x	x	x	x	TENSION RELEASER	502785	x	x	x	x	NEEDLE BAR YOKE CONNECTING LINK HINGE BEARING STUD
502661-002	x	x	x	x	TENSION RELEASER CPL. 1747, 500259, 502660-002	502786	x	x	x	x	KNEE LIFTER ROCK FRAME
502662	x	x	x	x	TENSION RELEASER SPRING	502787	x	x	x	x	NEEDLE VIBRATING ECCENTRIC SHAFT WITH TWO 502771
502665	x	x	x	x	THREAD GUIDE (FRONT OF ARM)	502788	x	x	x	x	NEEDLE VIBRATING ADJUSTING SHAFT RETAINER
502666	x	x	x	x	THREAD PULL OFF	502789	x	x	x	x	NEEDLE BAR YOKE CONNECTING LINK CARRIER FRAME STUD
502667	x	x	x	x	THREAD RETAINER	502790	x	x	x	x	NEEDLE POSITION ADJUSTING LEVER
502668	x	x	x	x	THREAD TAKE-UP SPRING	502791	x	x	x	x	NEEDLE POSITION ADJUSTING ECCENTRIC SLIDE BLOCK BRACKET
502669	x	x	x	x	THREAD TAKE-UP SPRING REGULATOR	502792	x	x	x	x	NEEDLE POSITION ADJUSTING ECCENTRIC SLIDE BLOCK BRACKET CPL. 502791, TWO EACH 500067, 500298
502670	x	x	x	x	THREAD CUTTER ON ROTARY TAKE-UP GUARD	502793	x	x	x	x	NEEDLE BAR YOKE CONNECTING LINK STUD SNAP RING (2)
502672	x	x	x	x	NEEDLE BAR YOKE BEARING (BACK)	502793	x	x	x	x	NEEDLE VIBRATING ADJUSTING BRACKET STUD SNAP RING (2)
502674	x	x	x	x	NEEDLE BAR YOKE BEARING (FRONT)	502793	x	x	x	x	NEEDLE POSITION ADJUSTING ECCENTRIC BUSHING (SMALL) SLIDE BLOCK STUD SNAP RING
502675-002	x	x	-	x	FEED DRIVING ROCK SHAFT CRANK CPL. 51388, 502541, 502542, 502544, 502545, 502546, 502710, 502711-002	502794	x	x	x	x	NEEDLE POSITION ADJUSTING ECCENTRIC POSITION SPRING
502676	x	x	x	x	HOOK SHAFT PRESSURE BUSHING CPL. 502581, 502582	502799	x	x	x	x	MACHINE BASE AND OIL RESERVOIR DRAIN PLUG SCREW GASKET
502677	x	x	x	x	HOOK SHAFT WITH OIL FILTER CPL. 271808, 276236, 502568, 502928, 502958	502800	x	x	x	x	NEEDLE BAR YOKE CONNECTING LINK CARRIER FRAME DISC SPRING
502679	x	x	x	x	KNEE LIFTER ROCK FRAME HINGE STUD PIN	502801	x	x	x	x	NEEDLE BAR YOKE CONNECTING LINK STUD
502681-002	x	x	x	x	ARM SHAFT CPL. 1259, 140172, 502723-002	502802	x	x	x	x	NEEDLE BAR YOKE CONNECTING LINK HINGE BEARING STUD SNAP RING (2)
502682	x	x	x	x	ARM SHAFT CONNECTION BELT PULLEY CPL. 214206, 500272, 500274, 502509	502802	x	x	x	x	NEEDLE BAR YOKE CONNECTING LINK CARRIER FRAME SNAP RING
502687-002	x	x	x	x	NEEDLE BAR YOKE WITH OIL FELT CPL. 502594, 502608, 502688-002	502803	x	x	x	x	NEEDLE VIBRATING ADJUSTING LEVER
502688-002	x	x	x	x	NEEDLE BAR YOKE	502805	x	x	x	x	NEEDLE BAR YOKE CONNECTING LINK CARRIER FRAME
502693	x	x	x	x	NEEDLE BAR CONNECTING STUD CPL. 500251, 502602, 502603	502806	x	x	x	x	ARM COVER (BACK)
502694	x	x	x	x	NEEDLE BAR CRANK STUD CPL. 270161, 502607	502811	x	x	x	x	ARM COVER (TOP)
502696	x	x	x	x	PRESSER BAR POSITION GUIDE CPL. 51369, 502545	502812	x	x	x	x	MACHINE PULLEY CPL. 141566, 141567, 272142
502698	x	x	x	x	THREAD TAKE-UP SPRING REGULATOR CPL. 50305, 502669	502817	x	x	x	x	NEEDLE BAR YOKE CONNECTING LINK HINGE BEARING CPL. 502616, 502757
502699	x	x	x	x	PRETENSION BRACKET CPL. 460, 502654	502818	x	x	x	x	HOOK GEAR BOX VENT CAP
502702	x	x	x	x	OIL PUMP GEAR CPL. 502644, TWO 50311	502819	x	x	x	x	NEEDLE BAR YOKE CONNECTING LINK CARRIER FRAME CPL. 502789, 502805, 502850, 502857, TWO 624
502703	x	x	x	x	BED SHAFT BUSHING (FRONT) CPL. 502515, 502516	502820	x	x	x	x	NEEDLE POSITION ADJUSTING ECCENTRIC CPL. 502776, 502781, 502793, TWO EACH 500302, 502762
502704	x	x	x	x	BED CONNECTION BELT PULLEY CPL. 502517, TWO 500319	502822	x	x	x	x	KNEE LIFTER ROCK FRAME CPL. 502679, 502758, 502786
502705	x	x	x	x	OIL PUMP DRIVING GEAR CPL. 502506, TWO 1258	502823	x	x	x	x	KNEE LIFTER LIFTING ROD WITH TWO 502830
502710	x	x	x	x	FEED DRIVING ROCK SHAFT CRANK CPL. 502559, TWO 624	502824	x	x	x	x	HOOK DRIVING SHAFT PLUG (FOR UN-USED BED HOLE)
502711-002	x	x	-	x	FEED BAR WITH PINCH SCREW CPL. 50578, 502540-002	502825	x	x	x	x	NEEDLE VIBRATING ECCENTRIC SHAFT BUSHING (FRONT)
502712	x	x	x	x	BED SHAFT GEAR CPL. 502519, TWO 1259	502826	x	x	x	x	FEED DRIVING ROCK SHAFT BUSHING (FRONT)
502713	x	x	x	x	HOOK DRIVING SHAFT BUSHING CPL. 502533, 502566	502827	x	x	x	x	ARM COVER (FRONT) CPL. 502828, 502829, TWO 140753
502714	x	x	x	x	HOOK DRIVING SHAFT HELICAL BEVEL GEAR CPL. 502567, TWO 1259	502828	x	x	x	x	ARM COVER (FRONT)
502715	x	x	x	x	HOOK SHAFT BEVEL GEAR CPL. 502569, TWO 1259	502829	x	x	x	x	STITCH LENGTH INDICATOR PLATE
502716	x	x	-	-	BOBBIN CASE CAP CPL. 200592, 201016, 502528, 508530	502830	x	x	x	x	KNEE LIFTER LIFTING ROD GRIP RING (2)
502717	x	x	x	x	BOBBIN CASE LATCH LEVER	502830	x	x	x	x	FEED DRIVING CONNECTION CARRIER FRAME SPRING STUD GRIP RING
502720	x	x	x	x	KNEE LIFTER ROCK SHAFT HUB CPL. 502591, TWO 500332	502831	x	x	x	x	ARM SHAFT BUSHING (CENTER) SCREW PLUG
502723-002	x	x	x	x	ARM SHAFT WITH NEEDLE BAR CRANK WITH 502927	502832	x	x	x	x	FEED REGULATING SHAFT PLUG (FOR UN-USED HOLE)
502736	x	x	x	x	NEEDLE VIBRATING ADJUSTING BRACKET CPL. 502775, 502778, 502780, TWO 502776, TWO 502793	502833	x	x	x	x	ARM COVER (BACK) GASKET
502751	x	x	x	x	NEEDLE VIBRATING ECCENTRIC SHAFT BUSHING (BACK) PLUG	502834	x	x	x	x	ARM OIL SHIELD (AERATED PLASTIC) RETAINER
502752	x	x	x	x	BED SHAFT BUSHING (CENTER) OIL TUBE PLUG	502835	x	x	x	x	NEEDLE VIBRATING ADJUSTING LEVER OIL GUIDE
502754	x	x	x	x	BED SHAFT PLUG	502836	x	x	x	x	BED SHAFT CPL. 502752, 502837
502755	x	x	x	x	NEEDLE VIBRATING ECCENTRIC SHAFT GEAR	502837	x	x	x	x	BED SHAFT
502756	x	x	x	x	NEEDLE VIBRATING ECCENTRIC SHAFT GEAR CPL. 500301, 502754	502838	x	x	x	x	BED SHAFT BUSHING (BACK)
502757	x	x	x	x	NEEDLE VIBRATING ECCENTRIC SHAFT BUSHING (BACK)	502839	x	x	x	x	FEED DRIVING ECCENTRIC CPL. 449, 500308, 502840
502758	x	x	x	x	NEEDLE BAR YOKE CONNECTING LINK HINGE BEARING BUSHING (2)	502840	x	x	x	x	FEED DRIVING ECCENTRIC
502760	x	x	x	x	KNEE LIFTER ROCK FRAME HINGE STUD	502841	x	x	-	x	FEED DRIVING CONNECTION CPL. 502843, 502844, 502847, TWO 502845, FOUR 507063
502761	x	x	x	x	NEEDLE VIBRATING ECCENTRIC SHAFT BUSHING (FRONT) PLUG	502842	-	x	x	x	MACHINE BASE AND OIL RESERVOIR WITH KNEE LIFTER CPL. 228364, 502583, 502587-002 502587-003, 502720, 502882, 502937, 502994, 502996, 502999, 503000, 508501, 508503, 508504, 508516, TWO 508502
502762	x	x	x	x	NEEDLE POSITION ADJUSTING ECCENTRIC NEEDLE POSITION ADJUSTING ECCENTRIC BUSHING (SMALL) SNAP RING (2)	502843	x	x	x	x	FEED DRIVING CONNECTION LEVER
502763	x	x	x	x	ARM SHAFT BUSHING (CENTER)	502844	x	x	-	x	FEED DRIVING CONNECTION LINK
502764	x	x	x	x	OIL GUARD	502845	x	x	x	x	FEED DRIVING CONNECTION LEVER HINGE PIN (2)
502768	x	x	x	x	NEEDLE BAR YOKE CONNECTING LINK	502847	x	x	-	x	FEED DRIVING CONNECTION CRANK CPL. 1177, 502848
502770	x	x	x	x	ARM COVER (FRONT) GASKET	502848	x	x	-	x	FEED DRIVING CONNECTION CRANK
502771	x	x	x	x	NEEDLE VIBRATING ECCENTRIC COMPOUND SPLIT PIN (2)						
502772	x	x	x	x	NEEDLE POSITION ADJUSTING ECCENTRIC REGULATING STUD						
502775	x	x	x	x	NEEDLE VIBRATING ADJUSTING BRACKET						
502776	x	x	x	x	NEEDLE VIBRATING ADJUSTING BRACKET STUD (2)						
502776	x	x	x	x	NEEDLE POSITION ADJUSTING ECCENTRIC BUSHING (SMALL) SLIDE BLOCK STUD						
502777	x	x	x	x	NEEDLE VIBRATING ADJUSTING GUIDE CRANK						
502778	x	x	x	x	NEEDLE VIBRATING ADJUSTING GUIDE CRANK CPL. 1147, 502777						

PART NO.	FOR CLASS 457 G				DESCRIPTION	PART NO.	FOR CLASS 457 G				DESCRIPTION
	105	115	116	117			105	115	116	117	
502849	x	x	x	x	FEED REGULATING SHAFT INDICATOR STOP SCREW RETAINING SPRING	502938	-	x	x	x	FOOT CONTROL REVERSE FEED CONNECTING SHAFT LEVER CPL. 1489, 502939
502850	x	x	x	x	NEEDLE BAR YOKE CONNECTING LINK SLIDE BEARING	502939	-	x	x	x	FOOT CONTROL REVERSE FEED CONNECTING SHAFT LEVER
502850	x	x	x	x	FEED DRIVING CONNECTION LEVER SLIDE BEARING	502945	x	x	x	x	TENSION CPL. 1560, 32574, 147151, 147152, 276225, 502668, 502698, TWO 2102
502853	x	x	x	x	FEED DRIVING CONNECTION CARRIER FRAME CPL. 51369, 502850, 502854, 502857, 502858, 502949	502946	x	x	x	x	OIL RETURN TUBE (LOWER) (LONG) CLAMP
502854	x	x	x	x	FEED DRIVING CONNECTION CARRIER FRAME	502948	x	x	x	x	PRESSER BAR WITH PRESSER FOOT SCREW CPL. 500256
502857	x	x	x	x	NEEDLE BAR YOKE CONNECTING LINK CARRIER FRAME SLIDE STUD	502949	x	x	x	x	FEED DRIVING CONNECTION CARRIER FRAME SPRING STUD
502857	x	x	x	x	FEED DRIVING CONNECTION CARRIER FRAME SLIDE STUD	502958	x	x	x	x	HOOK SHAFT SNAP RING
502858	x	x	x	x	FEED DRIVING CONNECTION CARRIER FRAME SLIDE STUD OIL WICK	502975	x	x	x	x	FEED REGULATING SHAFT INDICATOR CPL. 129, 502876, 502976, 507063
502859	x	x	x	x	FEED DRIVING CONNECTION CARRIER FRAME BEARING STUD (LEFT)	502976	x	x	x	x	FEED REGULATING SHAFT INDICATOR LEVER
502860	x	x	x	x	FEED DRIVING CONNECTION CARRIER FRAME BEARING STUD (RIGHT)	502979	x	x	x	x	FEED REGULATING SHAFT SPACER
502862	x	x	x	x	FEED REGULATING CONNECTION SHAFT CRANK LINK	502987	x	-	-	-	FEED REVERSING PLUNGER HOLE PLUG (FOR UN-USED HOLE)
502863	x	x	x	x	FEED REGULATING CONNECTION SHAFT CRANK CPL. 160, 502864	502992	x	x	x	x	ARM SHAFT BUSHING (CENTER) SCREW GASKET RING
502864	x	x	x	x	FEED REGULATING CONNECTION SHAFT CRANK	502992	x	x	x	x	KNEE LIFTER ROCK FRAME HINGE STUD LOCK SCREW GASKET RING
502866	x	x	x	x	FEED DRIVING CONNECTION CARRIER FRAME SPRING	502993	x	x	x	x	NEEDLE BAR CPL. 223, 238, 502597
502867	x	x	x	x	FEED DRIVING CONNECTION CARRIER FRAME SPRING STUD	502994	x	x	x	x	KNEE LIFTER ROCK SHAFT SPACER
502868	x	x	x	x	FEED REGULATING CONNECTING SHAFT BUSHING	502996	x	x	x	x	KNEE LIFTER CONTROL SHAFT CPL. 500271
502869	x	x	x	x	FEED REGULATING CONNECTING SHAFT WITH 502765	502997	x	x	x	x	500785, 502997, 502998, 508302
502872	x	x	x	x	FEED REGULATING CONNECTING SHAFT COLLAR CPL. 502873, TWO 51334	502998	x	x	x	x	KNEE LIFTER CONTROL SHAFT CRANK
502873	x	x	x	x	FEED REGULATING CONNECTION SHAFT COLLAR	502998	x	x	x	x	KNEE LIFTER ROCK SHAFT CRANK
502876	x	x	x	x	FEED REGULATING SHAFT INDICATOR LEVER CONNECTING LINK	502999	x	x	x	x	KNEE LIFTER ROCK SHAFT CPL. 502589, 502998, 508302
502878	x	x	x	x	FEED REGULATING SHAFT	503000	x	x	x	x	KNEE LIFTER CONTROL SHAFT GRIP RING
502879	x	x	x	x	FEED DRIVING ROCK SHAFT CPL. 502560-002, 502880	503595	x	x	-	-	PRESSER FOOT (HINGED)
502880	x	x	x	x	FEED DRIVING ROCK SHAFT	503645	x	x	-	-	COMBINED SCREW DRIVER AND SCREW WRENCH
502881	x	x	x	x	BED SHAFT GEAR BOX COVER	503669	x	x	x	x	WRENCH (5/64 INCH HEXAGON)
502882	x	x	x	x	MACHINE BASE AND OIL RESERVOIR CPL. 500329, 502799	503682	x	x	-	-	THROAT PLATE, 53 NEEDLE HOLE, FOR NEEDLE SIZES 12 TO 14
502883	x	-	-	-	MACHINE BASE AND OIL RESERVOIR WITH KNEE LIFTER CPL. 228364, 502583, 502587-002, 502606, 502720, 502882, 502937, 502987, 502994, 502996, 502999, 503000, 508501, 508503, TWO 508502	503683	x	x	-	-	FEED DOG
502884	x	x	x	x	BED SPACER (FRONT AND RIGHT SIDE) (2)	503690	-	-	x	x	PRESSER FOOT (HINGED)
502885	x	x	x	x	BED SPACER (REAR) (2)	503691	-	-	x	x	THROAT PLATE, 53 NEEDLE HOLE, FOR NEEDLE SIZES 16 TO 20
502886	x	x	x	x	HOOK SHAFT GEAR BOX OIL PIPE HOLDER	503692	-	-	-	-	FEED DOG
502887	x	x	x	x	NEEDLE VIBRATING MECHANISM CPL. 502755, 502768, 502785, 502787, 502801, 502817, TWO EACH 502793, 502802	507063	x	x	x	x	FEED DRIVING CONNECTION LEVER HINGE PIN RETAINER (4)
502888	x	x	x	x	BED SHAFT BUSHING (CENTER)	507063	x	x	x	x	FEED REGULATING SHAFT INDICATOR LEVER CONNECTING LINK STUD RETAINER
502890	x	x	x	x	ARM OIL SHIELD (AERATED PLASTIC)	507063	x	x	x	x	FEED REGULATING CONNECTION SHAFT CRANK LINK RETAINER
502891	x	x	x	x	SINGER LIGHT STUD HOLE SCREW PLUG GASKET	507063	x	x	x	x	FEED REGULATING SHAFT INDICATOR LEVER HINGE STUD RETAINER
502892	x	x	x	x	FEED DRIVING ROCK SHAFT BUSHING (CENTER)	507523	x	x	x	x	FEED DRIVING CONNECTION CARRIER FRAME STOP SCREW WASHER (2)
502896	x	x	x	x	NEEDLE BAR YOKE GUIDE (REAR)	508302	x	x	x	x	KNEE LIFTER CONTROL SHAFT CRANK PIN
502897	x	x	x	x	NEEDLE BAR YOKE GUIDE (FRONT)	508302	x	x	x	x	KNEE LIFTER ROCK SHAFT CRANK PIN
502898	x	x	x	x	NEEDLE VIBRATING ADJUSTING SHAFT CLAMPING BRACKET CPL. 690, 502922, 502923	508501	x	x	x	x	KNEE LIFTER ROCK SHAFT CONNECTION
502907	x	x	x	x	ARM COVER (BACK) SCREW GASKET RING (6)	508502	x	x	x	x	KNEE LIFTER ROCK SHAFT CONNECTION GRIP RING (2)
502907	x	x	x	x	ARM COVER (TOP) SCREW (LONG) GASKET RING (2)	508503	x	x	x	x	MACHINE BASE AND OIL RESERVOIR GASKET
502907	x	x	x	x	ARM COVER (TOP) SCREW (SHORT) GASKET RING (2)	508504	-	x	x	x	FOOT CONTROL REVERSE FEED LEVER CPL. 158, 508515
502907	x	x	x	x	ARM COVER (FRONT) SCREW GASKET RING (3)	508505	x	x	x	x	OIL FILTER WITH OIL FILTER MOUNTING SUPPORT
502908	x	x	x	x	BED SHAFT BUSHING (CENTER) OIL TUBE	508506	x	x	x	x	BED SLIDE SPRING
502909	x	x	x	x	ARM COVER (TOP) GASKET	508507	x	x	x	x	BED SLIDE CPL. 502522, 508506, TWO 238
502914	x	x	x	x	ARM HEAD OIL DRAIN WICK SLINGER CPL. 502915, TWO 500320	508514	x	x	x	x	OIL DISTRIBUTOR PLATE
502915	x	x	x	x	ARM HEAD OIL DRAIN WICK SLINGER	508515	-	x	x	x	FOOT CONTROL REVERSE FEED LEVER PLUG
502916	x	x	x	x	ARM HEAD OIL DRAIN WICK	508516	-	x	x	x	FOOT CONTROL REVERSE FEED PLUNGER WASHER
502917	x	x	x	x	OIL RETURN TUBE	508518	x	x	x	x	THREAD CUTTER ON FACE PLATE
502918	x	x	x	x	ARM HEAD OIL DRAIN WICK CLAMP (UPPER)	508523	x	x	x	x	FEED DRIVING CONNECTION CARRIER FRAME STOP (BACK)
502919	x	x	x	x	ARM HEAD OIL DRAIN WICK CLAMP (BACK)	508524	x	x	x	x	FEED DRIVING CONNECTION CARRIER FRAME STOP (FRONT)
502920	x	x	x	x	PRESSER BAR SPRING SCREW STUD GASKET	508525	-	-	x	-	BED SHAFT WITH 502752
502922	x	x	x	x	NEEDLE VIBRATING ADJUSTING SHAFT (UPPER) CLAMPING BRACKET	508526	-	-	x	-	FEED DRIVING ROCK SHAFT CRANK CPL. 51388, 502541, 502542, 502546, 502710, 508527, 508528, TWO 502544
502923	x	x	x	x	NEEDLE VIBRATING ADJUSTING SHAFT (LOWER) CLAMPING BRACKET	508527	-	-	x	-	FEED BAR LIFTING LINK
502926	x	x	x	x	ARM SHAFT OIL SLINGER AND PINION SPACER CPL. 460, 502511-002	508528	-	-	x	-	FEED BAR WITH 500268
502927	x	x	x	x	ARM SHAFT AND NEEDLE BAR CRANK PIN	508529	-	-	x	-	FEED DRIVING CONNECTION CPL. 502843, 508531, 508532, TWO 502845, FOUR 507063
502928	x	x	x	x	HOOK SHAFT OIL FILTER FELT (WICK)	508530	x	x	x	x	BOBBIN CASE TENSION SPRING
502929	x	x	x	x	NEEDLE VIBRATING PINION CPL. TWO 500318	508531	-	-	x	-	FEED DRIVING CONNECTION LINK
502930	x	x	x	x	NEEDLE BAR YOKE GUIDE SEAL (FRONT AND REAR) (2)	508532	-	-	x	-	FEED DRIVING CONNECTION CRANK CPL. 1177
502931	x	x	x	x	FEED DRIVING CONNECTION CARRIER FRAME SPRING RETAINER	508533	-	-	x	x	HOOK AND BOBBIN CASE CPL. 508534, 508656
502932	x	x	x	x	FEED DRIVING CONNECTION CARRIER FRAME SPRING CPL. 502866, 502931	508534	-	-	x	x	HOOK CPL. 141507, 508535, 508536, 508537, TWO 500306, THREE 141525
502935	x	-	-	-	FEED REVERSING FOOT CONTROL LEVER PIN COLLAR	508535	-	-	x	x	HOOK BODY WITH 502563
502937	x	x	x	x	FEED REVERSING FOOT CONTROL LEVER PIN	508536	-	-	x	x	HOOK GIB
						508537	-	-	x	x	HOOK NEEDLE GUARD AND COUNTERBALANCE
						508591	-	-	x	x	BOBBIN CASE CAP CPL. 200964, 210736, 502529, 508592
						508592	-	-	x	x	BOBBIN CASE CAP CPL. 200592, 201016, 508530, 508593
						508593	-	-	x	x	BOBBIN CASE CAP
						508656	-	-	x	x	BOBBIN CASE CPL. 502527, 508591



## Free Manuals Download Website

<http://myh66.com>

<http://usermanuals.us>

<http://www.somanuals.com>

<http://www.4manuals.cc>

<http://www.manual-lib.com>

<http://www.404manual.com>

<http://www.luxmanual.com>

<http://aubethermostatmanual.com>

Golf course search by state

<http://golfingnear.com>

Email search by domain

<http://emailbydomain.com>

Auto manuals search

<http://auto.somanuals.com>

TV manuals search

<http://tv.somanuals.com>