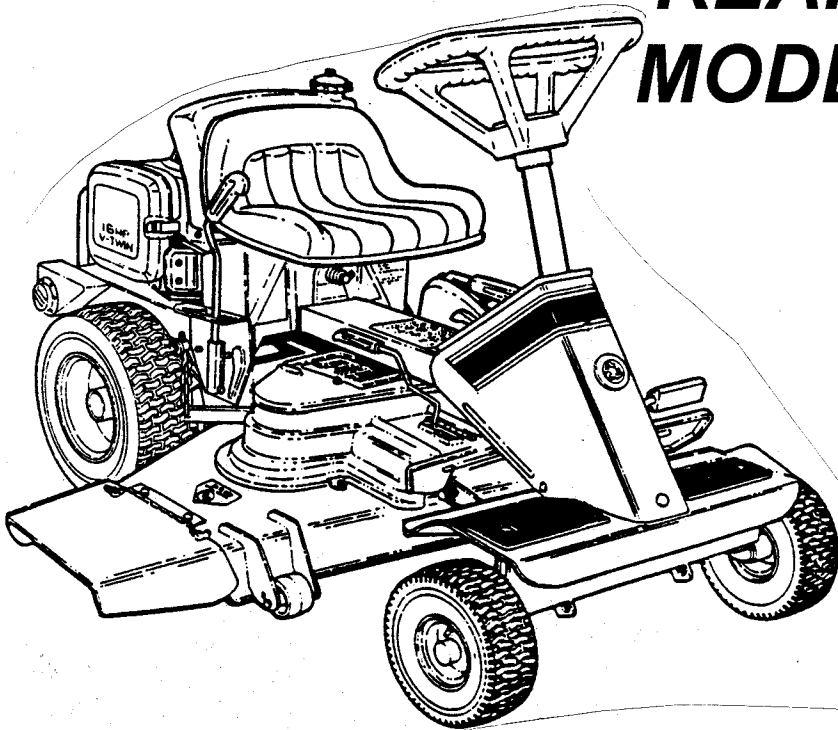


# SNAPPER®

## REAR ENGINE RIDER MODELS: 421615BVE & 421615TVE SERIES 15



### CONTENTS

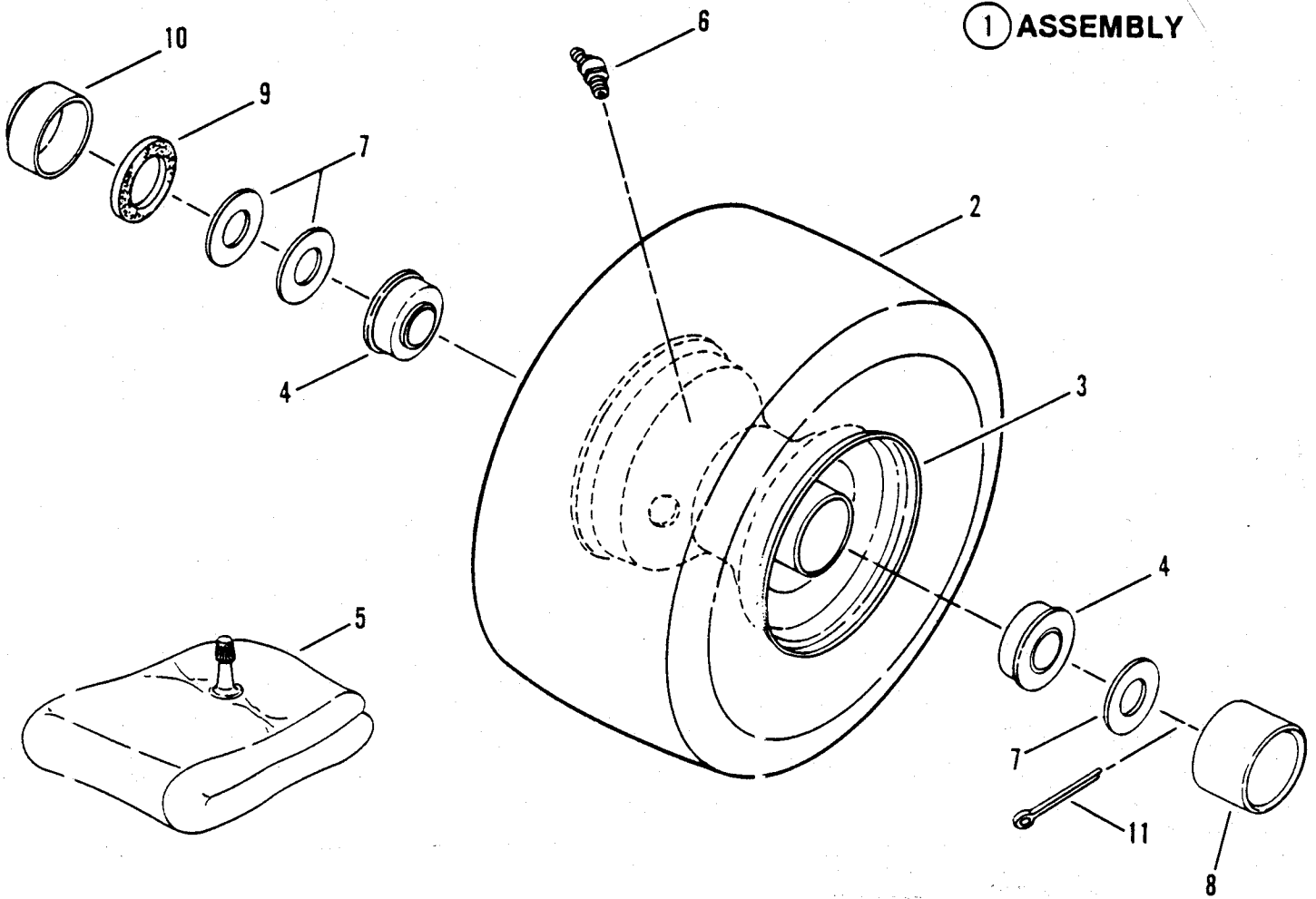
<u>DESCRIPTION</u>	<u>PAGE(S)</u>
WHEELS, TIRES.....	2-3
FRONT END, STEERING.....	4-5
MAIN CASE (REAR).....	6-7
DIFFERENTIAL.....	8-9
CHAIN CASE ASSEMBLY.....	10-11
SMOOTH CLUTCH ASSEMBLY.....	12-13
CUTTING DECKS, DEFLECTORS.....	14-15
RAILS, LIFT ARMS.....	16-17
DECK COVER, BELTS, BLADE BRAKES.....	18-19
SPINDLE ASSEMBLY.....	20
DRIVE DISC ASSEMBLY.....	21
FUEL TANK, OPERATORS SEAT.....	22
EXHAUST MUFFLER, ENGINE.....	23
ELECTRICAL SYSTEM.....	24-27
THROTTLE CONTROLS.....	28
ACCESSORIES.....	29
DECALS.....	30-31
WIRING SCHEMATICS.....	32-33

**SNAPPER**®McDonough, GA., 30253 U.S.A.

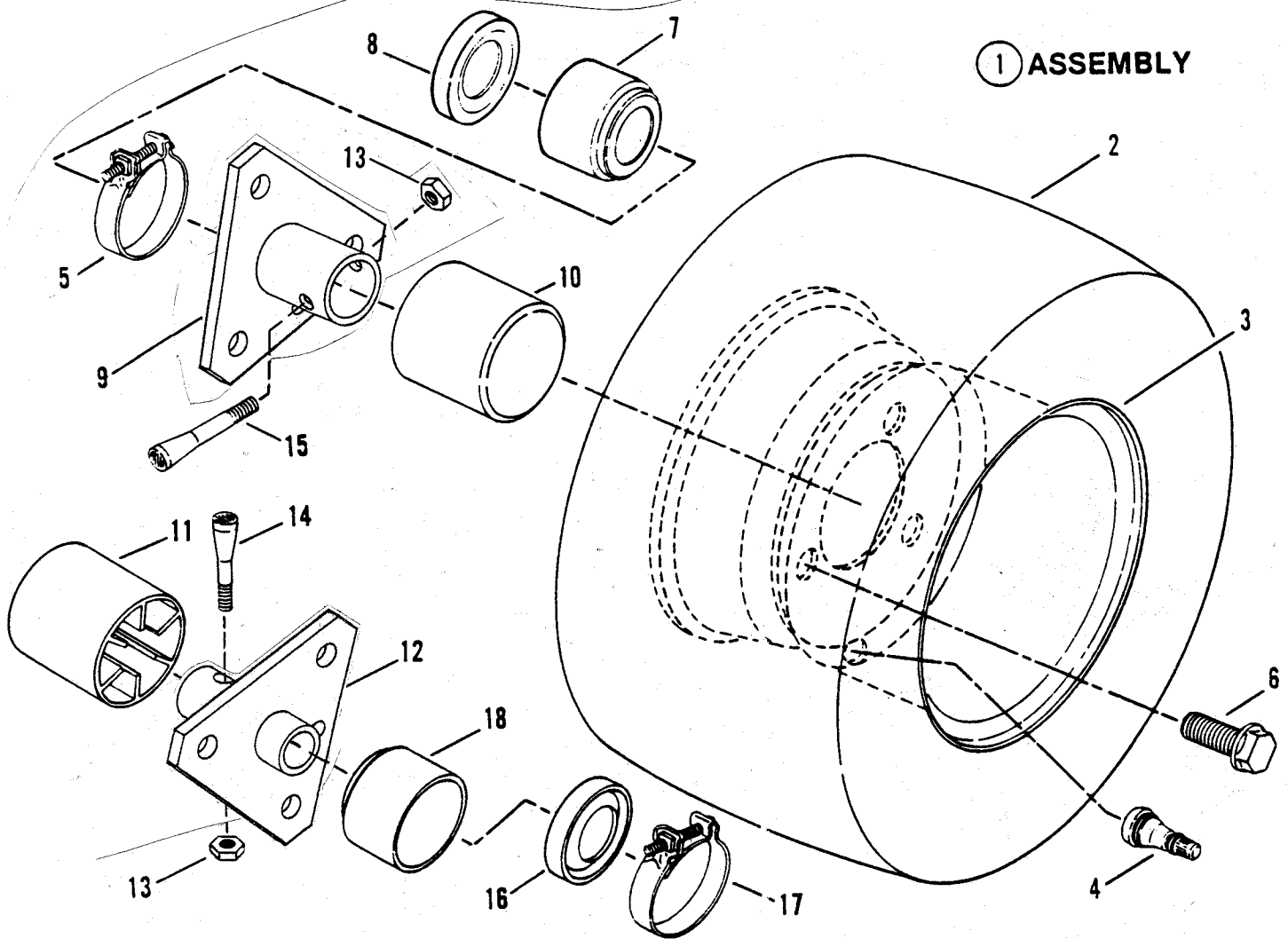
(I.R. 9/95)

MANUAL No. 06096

# WHEELS-FRONT



ITEM	PART NO.	DESCRIPTION
1	5-3304	ASSEMBLY, Front Tire & Rim (11.0") (Includes Items 2 Thru 6)
2	2-7933	TIRE, Pneumatic 11.0 x 4.0 x 4
3	1-7146	RIM (For 11.0 x 4.0 x 4 Tire)
4	1-1807	BEARING, Ball
5	1-0821	TUBE, Inner (For 4.10/3.50 x 4 Tire)
6	1-4669	FITTING Lube
7	1-0935	WASHER
8	1-1022	CAP, Hub
9	1-1032	SEAL, Felt
10	3-1038	CAP, Dust
11	9-0364	PIN, 5/32 x 1" Cotter

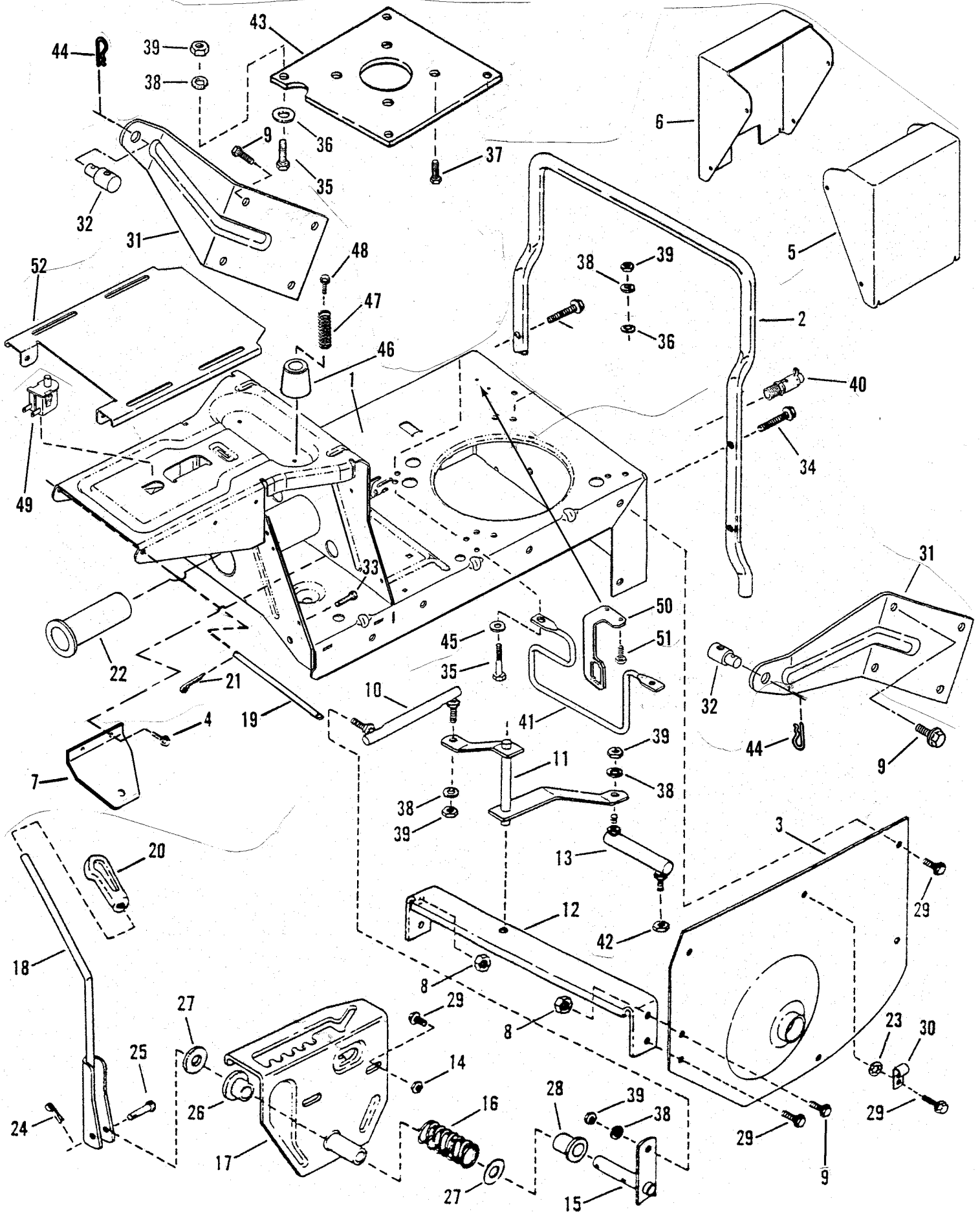


ITEM	PART NO.	DESCRIPTION
1	5-2671	ASSEMBLY, Rear Tire & Rim (Includes Items 2, 3, & 4) (42" Models)
2	2-2584	TIRE, Ext Wide, 16/7.50 x 8
3	1-7145	RIM, Ext Wide, (For 16/7.50 x 8 Tire)
4	1-2234	VALVE, Air (Snap-in)
5	1-4542	CLAMP, Right Hand
6	9-1502	BOLT, 1/2-20 x 3/4" Lug (6)
7	1-4541	BOOT, Right Hand
8	1-1817	SEAL, Oil
9	4-0433	HUB, Rear Wheel (Right Hand)
10	2-3895	CAP, Hub
11	2-3522	CAP, Hub (Left Hand)
12	4-0434	HUB, Rear Wheel
13	1-1201	NUT, 5/16-24 Hex Center Lock
14	1-1035	BOLT, 5/16-24 x 1-5/8" Tapered (Left Hand)
15	1-1013	BOLT, 5/16-24 x 2" Tapered (Right Hand)
16	1-4662	SEAL, Oil (Left Hand)
17	1-2332	CLAMP, (Left Hand)
18	1-4658	BOOT, (Left Hand)



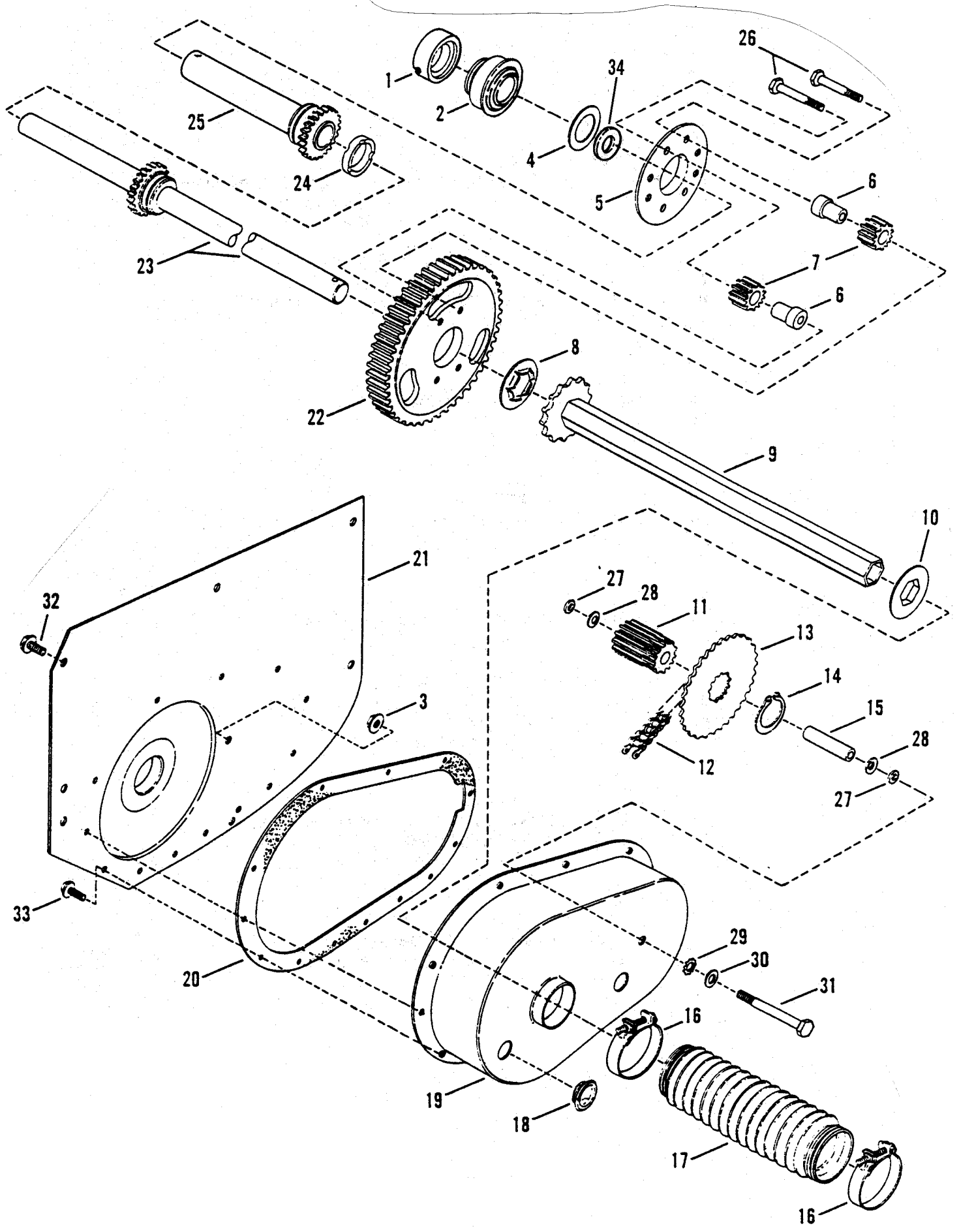
ITEM	PART NO.	DESCRIPTION
1	5-1941	ASSEMBLY, Steering Wheel (Includes Item 2)
2	2-3781	DECAL, Snapper
3	1-3862	PIN, 1/4 x 1-1/2" Roll
4	3-3882	BRACKET, Clutch/Brake
5	2-3666	SPRING
6	2-3655	KNOB
7	9-1017	SCREW, #8-32 x 3/8" Cross Recess
8	9-1018	NUT, #8-32 Hex
9	4-1476	ARM, Clutch/Brake
10	2-2372	SPACER, Main Tube
11	1-6704	PLUG
12	2-3667	COVER, Steering Shaft (Foam)
13	2-3671	COVER
14	1-0935	WASHER, 3/4 Flat
15	1-9166	BUSHING, 3/4" Steering Shaft
16	9-1515	PIN, 3/16 x 1-1/2" Cotter (2)
17	4-1653	FRAME, Front (42" Models)
18	2-3663	PAD, Foot (Right Side Shown) (42" Models)
--	2-3662	PAD, Foot (Left Side) (42" Models) (Not Shown)
19	1-0746	RING, Retaining (2)
20	1-0986	BEARING (5)
21	4-1553	SHAFT, Steering (Wide Front End)
22	9-1297	NUT, 5/16-24 Hex (4)
23	9-1315	WASHER, 5/16 Split Lock (4)
24	9-0372	NUT, 1/4-20 Hex Center Lock
25	9-1151	SCREW, 5/16-18 x 1-1/4" Self-Tapping
26	4-1683	PIN, Wide King (Right Side)
27	4-1684	PIN, Wide King (Left Side)
28	9-1495	SCREW, 1/4-20 x 3/4" Hex Head Cap, Grade 5
29	2-4935	TIE-ROD (2) (42" Models)
30	2-4735	PEDAL, Clutch/Brake
31	1-0739	RING, Retaining
32	1-2661	PAD, Clutch/Brake Pedal
33	9-0517	WASHER, 3/8" Flat
34	3-4174	UNION, Cable
35	2-9913	CABLE, Clutch
36	2-2344	CABLE, Brake
37	9-1198	SCREW, 3/8-16 x 5/8" Self Tapping
38	2-8774	SPACER 25/64 x 5/8 x 3/16"

# MAIN CASE



ITEM	PART NO.	DESCRIPTION
1	4-1715	CASE, Main
2	3-3587	BUMPER, Rear (42" Models)
3	3-7958	FENDER, Left Hand (See page 10 for related parts)
4	9-0539	SCREW, 1/4-20 x 1/2" Self-Tapping (2)
5	2-8990	COVER, Battery (42" Models)
6	2-8989	COVER, Switch
7	3-4855	PLATE, Choke (42" Models)
8	9-0585	NUT, 5/16-18 Hex Flange Lock (2)
9	9-0793	SCREW, 5/16-18 x 3/4" Self-Tapping (6)
10	2-3676	LINK, Shift (Long)
11	4-1384	ARM, Shift
12	3-3799	BRACE, Cross
13	1-1018	LINK, Shift (Short)
14	9-0196	NUT, 5/16-18 Hex (2)
15	4-0598	ARM, Shift Handle
16	1-0754	SPRING, Shift Handle
17	4-1232	DETENT, Shift
18	4-0599	HANDLE, Shift
19	2-8656	HINGE, Pin
20	2-3656	KNOB, Shift Handle
21	9-0360	PIN, 1/16 x 3/4" Cotter
22	2-2509	BUSHING, Pilot
23	9-0391	WASHER, 5/16 Internal Tooth Lock
24	9-0037	PIN, 3/32 x 3/4" Cotter
25	2-3914	PIN, 1/4 x 1-3/4" Tapered Clevis
26	1-9245	BUSHING, Nylon
27	3-1036	WASHER, Thrust (2)
28	1-9246	BUSHING, Nylon (2)
29	9-0361	SCREW, 5/16-18 x 5/8" Self-Tapping (10)
30	1-2652	CLIP, Wire
31	3-4299	WING, Rear Deck (2)
32	2-8200	SWIVEL (2)
33	9-1272	FASTENER, Ratchet (6)
34	9-1506	SCREW, 5/16-18 x 1-1/2" Self-Tapping (4)
35	9-0238	SCREW, 5/16-24 x 1" Hex Head Cap (4)
36	1-1791	RETAINER, 5/16 Bolt (4)
37	9-0324	SCREW, 3/8-16 x 1" Self-Tapping (4)
38	9-1315	WASHER, 5/16" Split Lock (7)
39	9-1297	NUT, 5/16-24 Hex (7)
40	2-7972	ASSEMBLY, Oil Drain
41	2-8769	GUIDE, Belt (42" Models)
42	1-0969	NUT, 5/16-24 Hex Flange Lock
43	3-4093	PLATE, Engine
44	9-1503	PIN, 3/32 x 1-1/2" Hair (2)
45	9-1296	WASHER 11/32 x 11/16 x 1/16"
46	2-8540	CUSHION, Seat Support
47	2-8657	SPRING, Seat (Operator's Presence Control)
48	9-0999	SCREW, Self Tapping 1/4-20 x 5/8" TORX (2)
49	2-3354	SWITCH, Seat
50	3-4724	BRACKET, Switch
51	9-1081	SCREW, 1/4-15 x 3/4" Self-tapping
52	3-4664	PLATE, Seat

# DIFFERENTIAL, R.H. FENDER



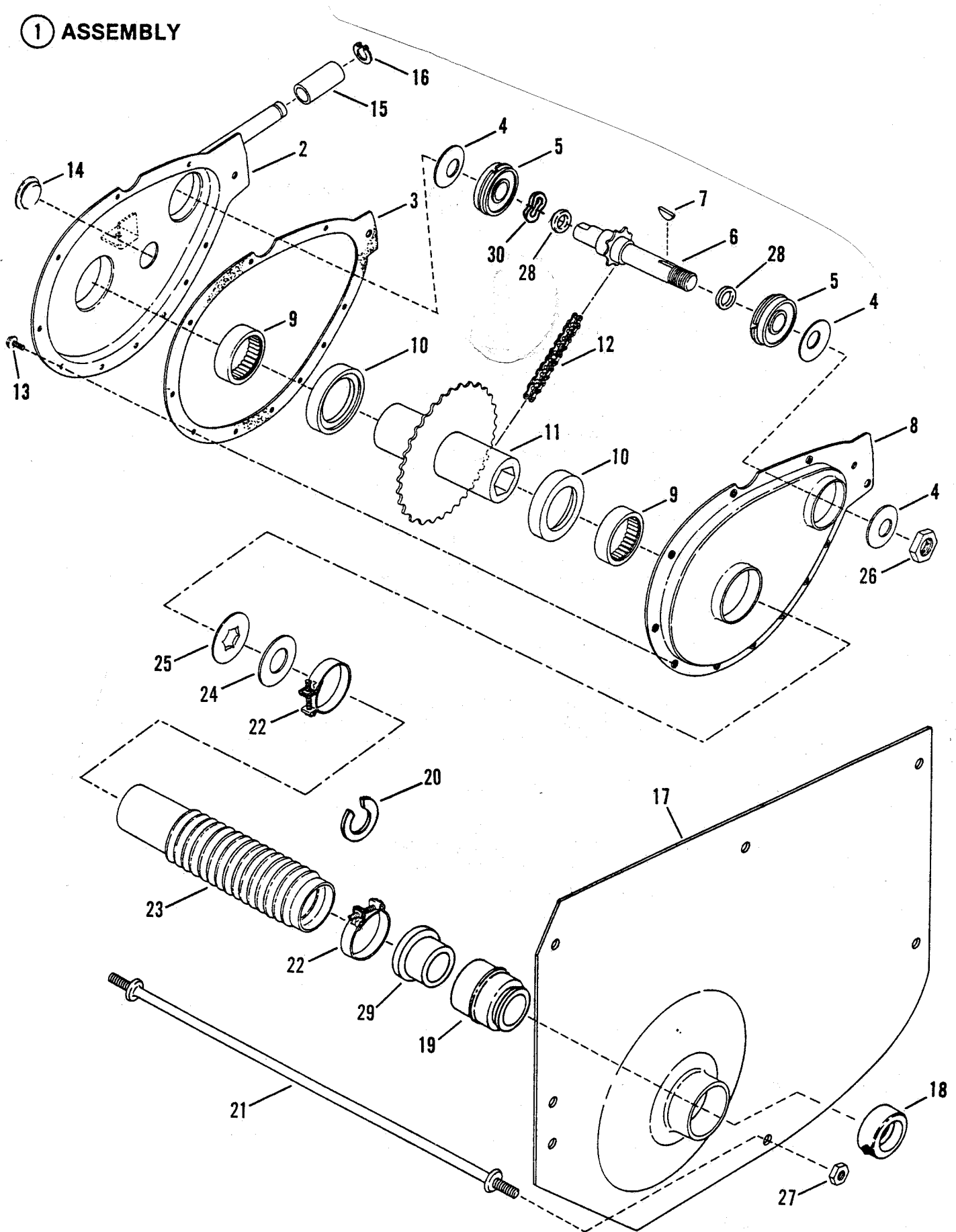


## DIFFERENTIAL, R.H. FENDER

ITEM	PART NO.	DESCRIPTION
1	1-4401	COLLAR, Lock (Includes #9-0201 Set Screw)
2	1-8822	BALL BEARING, Axle (Right Hand Fender)
3	1-0969	NUT, 5/16-24 Hex Flange Lock
4	3-1079	WASHER, Thrust
5	3-8067	PLATE, Differential
6	2-2115	SPACER, Pinion (4)
7	2-1127	GEARS, Differential Pinion
8	1-1072	WASHER, Thrust
9	5-1584	ASSEMBLY, Drive Hex Tube
10	1-0988	WASHER, Hex Insert
11	1-0964	GEAR, 11 Teeth-10 Pitch
12	1-0941	CHAIN, 46 Pitch (#35)
13	2-1129	SPROCKET
14	1-0965	RING, Retaining
15	2-1128	SPACER
16	1-1037	CLAMP, Boot (2)
17	1-7083	BOOT, Oil Seal
18	1-1024	PLUG, Oil Fill & Check
19	3-7279	CASE, Transmission
20	2-8762	GASKET, Transmission Case
21	3-7957	FENDER, Right Hand
22	2-1158	GEAR, 63 Teeth-10 Pitch
23	4-7763	AXLE, Long (Includes Gear) (Use Only With Short Axle #5-7398)
24	1-1026	SPACER
25	5-7398	AXLE, Short (Includes Gear) (Use Only With Long Axle #4-7763)
26	1-2333	SCREW, 5/16-24 x 1-5/8" Hex Cap Special Lock (4)
27	1-1156	O-RING, 5/16 (2)
28	1-1782	WASHER, Belleville (2)
29	9-0395	WASHER, 5/16 External Tooth Lock
30	9-0188	WASHER, 5/16 Flat
31	1-1042	BOLT, 5/16-24 x 2-5/8" Idler
32	9-0361	SCREW, 5/16-18 x 5/8" Self-Tapping (11)
33	9-0362	SCREW, 1/4-20 x 5/8" Self-Tapping (13)
**	6-1017	GREASE <b>SNAPPER</b> Transmission (24 oz. Required)
34	3-2107	SPACER, Short Axle
--	6-0662	KIT, Differential (Includes items 2 and 21)

# CHAIN CASE, L.H. FENDER

## ① ASSEMBLY

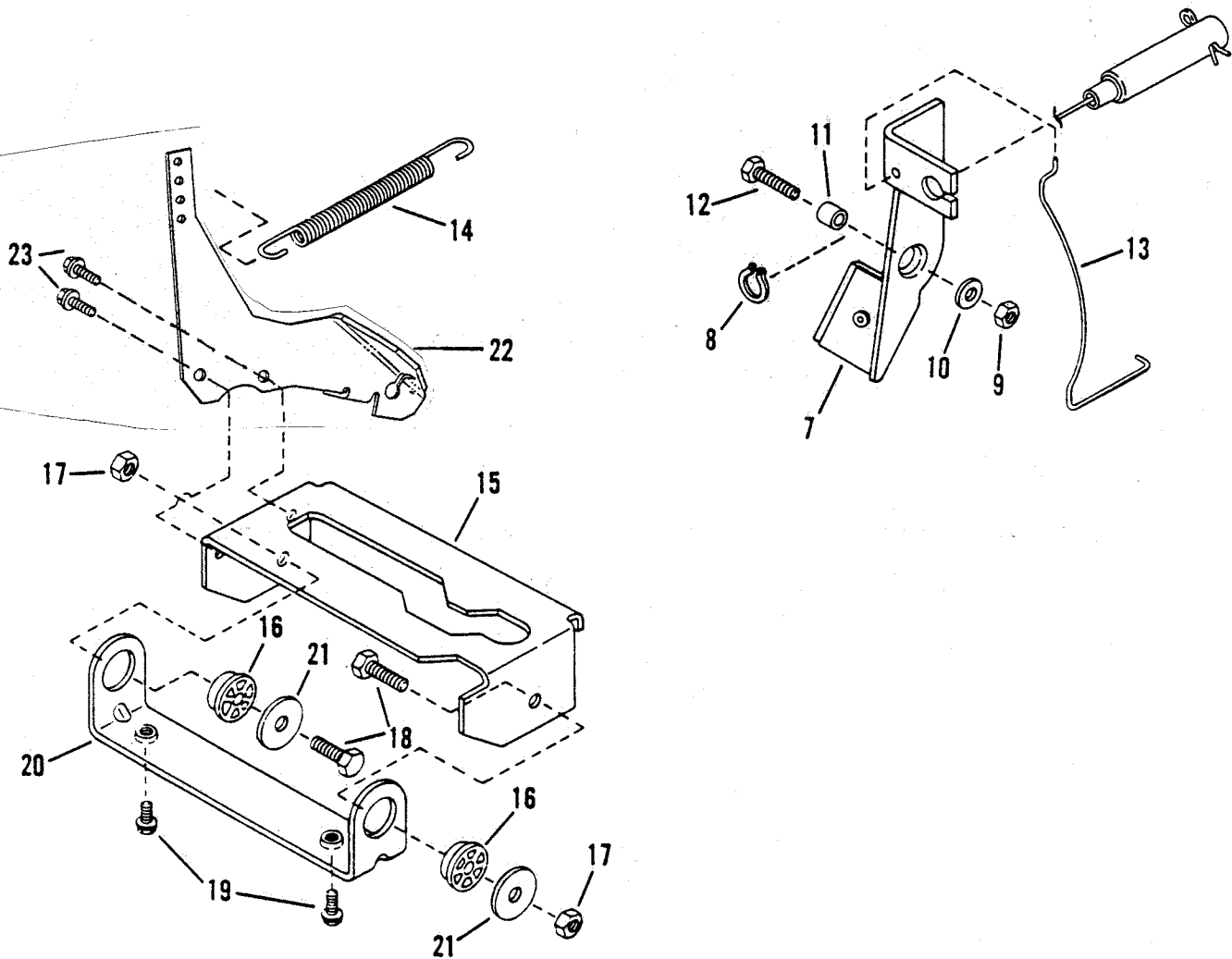
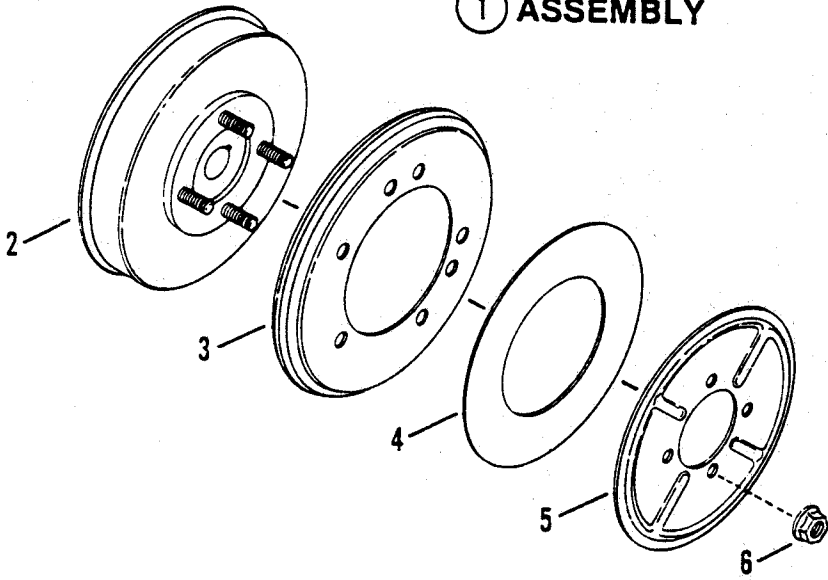


ITEM	PART NO.	DESCRIPTION
1	5-2683	ASSEMBLY, Chain Case (Includes Items 2 Thru 13, 15, 16, 31, 30)
2	4-1136	CASE, Sprocket
3	2-8761	GASKET, Case Cover
4	1-1121	WASHER, Belleville (2)
5	1-0756	BEARING, Ball (2)
6	1-8963	SPROCKET & SHAFT
7	1-0614	KEY, 1/8 x 5/8" Woodruff
8	3-9778	COVER, Chain Case
9	1-0942	BEARING, Needle (2)
10	1-1086	WASHER, Nylon Thrust (2)
11	4-0355	HUB & SPROCKET
12	1-0941	CHAIN
13	9-0307	SCREW, #10-24 x 5/8" Self-Tapping (10)
14	1-1024	PLUG, Oil Fill & Check
15	2-2785	ROLLER
16	1-0776	RING, Retaining
17	3-7958	FENDER, Left Hand
18	1-4625	COLLAR, Lock (Includes #9-0776 Set Screw-1/4-20 x 1/4")
19	1-4624	BEARING, Left Hand Fender
20	1-2271	WASHER, Shim (As Required)
21	1-1070	ROD, Cross-Tie
22	1-1037	CLAMP, Boot (2)
23	1-7084	BOOT, Oil Seal
24	1-1071	WASHER, Thrust Nylon
25	1-1072	WASHER, Thrust
26	9-1505	NUT, 5/8-18 Hex Lock
27	1-0969	NUT, 5/16-24 Hex Flange Lock
28	1-9260	O-RING (2)
29	2-3447	SPACER
30	2-7981	WASHER, Wave
--	5-1451	ASSEMBLY, Left Hand Fender (Includes 3-7958 Left Hand Fender & 1-4624 Bearing)
**	6-1017	GREASE, <b>SNAPPER</b> Transmission (4 oz. required)

**NOTE: See Pages 12 & 13 For Illustration Of Brake Lever Assembly And Related Parts.**

# SMOOTH CLUTCH ASSEMBLY

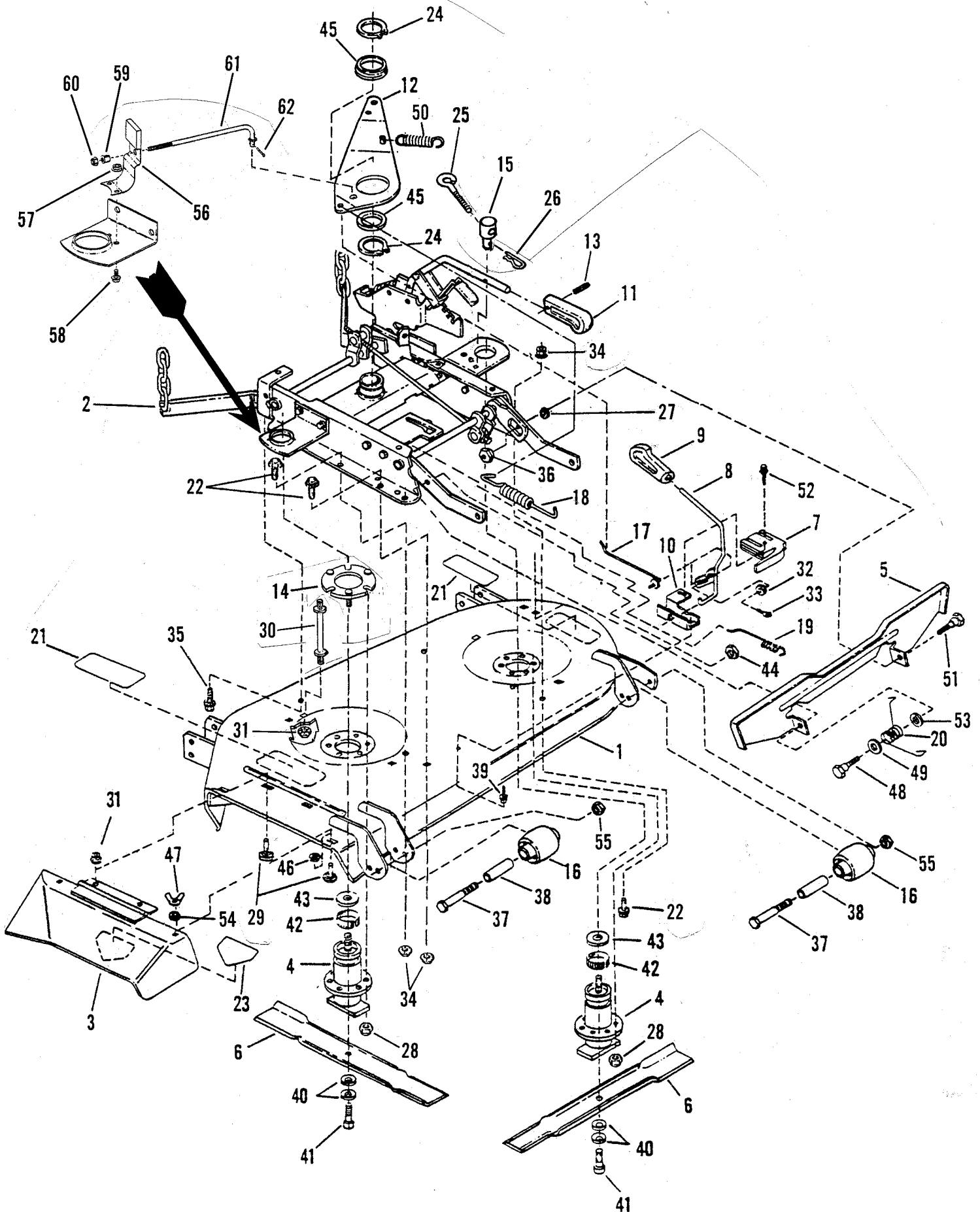
## ① ASSEMBLY



# SMOOTH CLUTCH ASSEMBLY

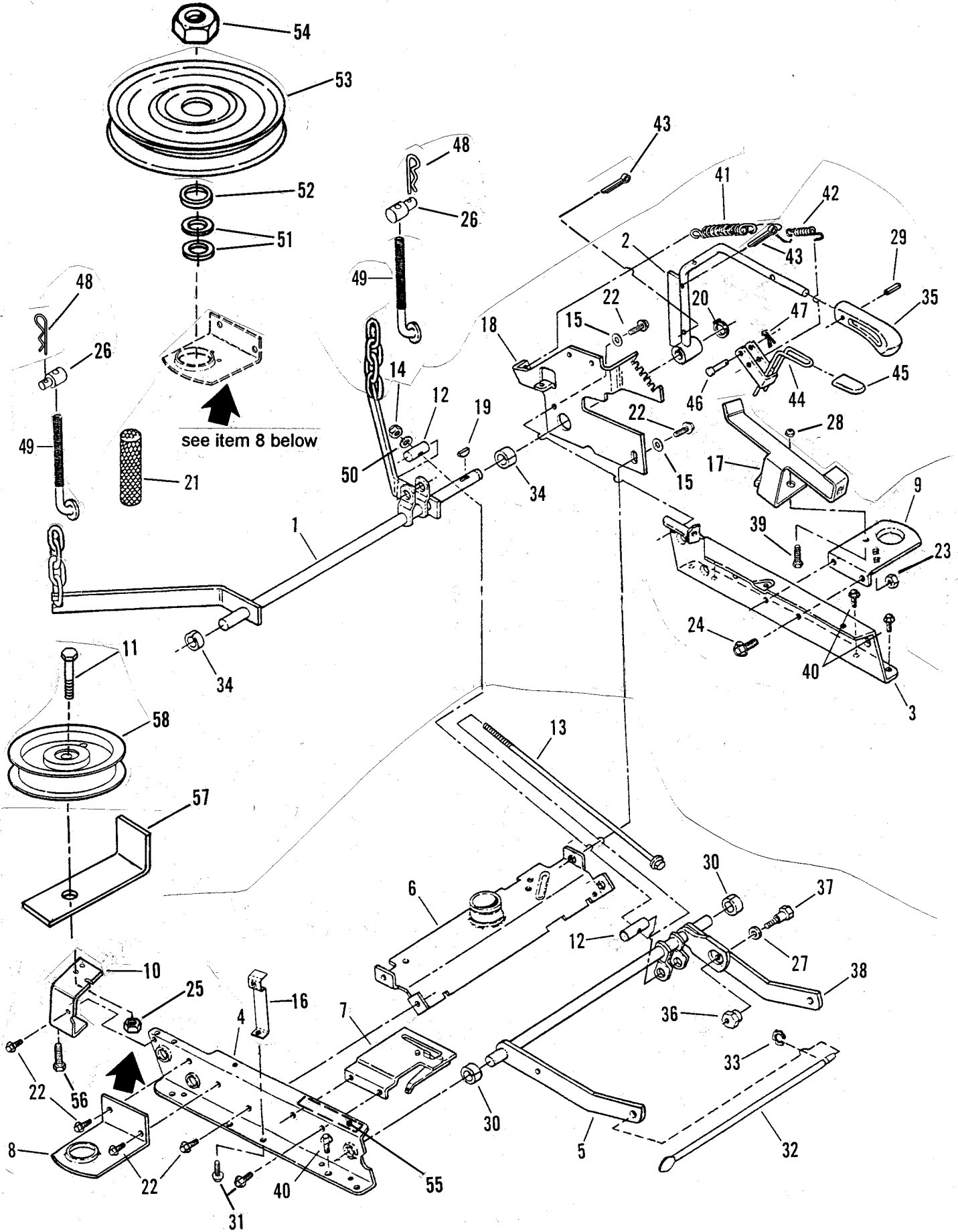
ITEM	PART NO.	DESCRIPTION
1	5-3114	ASSEMBLY, Smooth Clutch (Includes Items 2 Thru 6)
2	5-7338	HUB, Driven Disc
3	5-3103	DISC, Driven
4	1-4523	WASHER, Thrust
5	3-2331	PLATE
6	9-0585	NUT, 5/16-18 Hex Flange Lock (4)
7	5-2497	ASSEMBLY, Brake Lever (Includes Brake Lining & Rivet)
8	1-2313	RING, Retaining
9	9-0303	NUT, 1/4-28 Hex Top Lock
10	9-1294	WASHER, 1/4 Flat
11	1-0916	SPACER
12	9-1504	SCREW, 1/4-28 x 1" Hex Head Cap
13	2-2371	SPRING, Brake Return
14	1-2264	SPRING, Clutch Brake
15	3-3292	LIFT, Yoke
16	1-1048	BEARING, Yoke (2)
17	1-1201	NUT, 5/16-24 Hex Center Lock (2)
18	9-0238	SCREW, 5/16-24 x 1" Hex Head Cap (2)
19	9-1198	SCREW, 3/8-16 x 5/8" Self-Tapping
20	3-3291	COLLAR, Yoke
21	1-1763	WASHER, 5/16 Flat (2)
22	3-4725	ARM, Yoke
23	9-1084	SCREW, 1/4-20 x 3/8" Self-Tapping (2)

# CUTTING DECKS, DEFLECTORS



ITEM	PART NO.	DESCRIPTION
1	4-1268	ASSEMBLY, Deck
2	--	ASSEMBLY, Rail (See Page 16 & 17 For Parts Breakdown)
3	5-1401	ASSEMBLY, Side Chute (Includes Item 23 Decal)
4	5-9628	ASSEMBLY, Spindle (2)
5	3-3601	ASSEMBLY, Pedal
6	2-6691	21" BLADE (2)
7	1-8524	SWITCH, Deck Interlock
8	4-1324	LEVER, Blade Engagement
9	2-3657	GRIP, Handle
10	3-8021	MOUNT, Handle
11	2-3658	GRIP, Height Adjustment Lever
12	3-4758	ARM, Idler
13	9-0844	PIN, 3/16 x 3/4" Roll
14	5-3034	ASSEMBLY, Spindle Ring (2)
15	2-8200	SWIVEL, Adjustable
16	1-9190	ROLLER (4)
17	1-2055	ROD, Idler
18	1-4168	SPRING, Belt
19	2-8192	SPRING, Latch
20	1-5448	SPRING, Pedal
21	1-4852	DECAL, Caution
22	9-0606	BOLT, 5/16-18 x 5/8" Hex Flange Lock (5)
23	1-3010	DECAL, Danger
24	1-0740	RING, Retaining (4)
25	2-9244	BOLT, 5/16-18 x 3" Eye
26	9-1503	PIN, 3/32 x 1-1/2" Hair
27	9-0390	WASHER, 3/8 Internal Tooth Lock
28	9-0613	NUT, 3/8-16 Hex Lock (6)
29	9-1508	BOLT, 5/16-18 X 3/4" Yellow Zinc Carriage (4)
30	2-9303	STUD, 5/16-18 x 3-1/2" (2)
31	9-1548	NUT, 5/16-18 Hex Flange Lock (6)
32	9-0055	WASHER, 1/4 Flat
33	9-0037	PIN, 3/32 x 3/4" Cotter
34	9-0585	NUT, 5/16-18 Hex Flange Lock (5)
35	9-0361	SCREW, 5/16-18 x 5/8" Self-Tapping
36	1-5447	ECCENTRIC, Leveling
37	9-1532	SCREW, 3/8-24 x 3-3/4" Hex Head Cap (2)
38	1-5272	SPACER (4)
39	9-0362	SCREW, 1/4-20 x 5/8" Self-Tapping (2)
40	1-2063	WASHER, Cone (4)
41	9-0824	SCREW, 3/8-24 x 1" Hex Head Cap
42	1-2670	RING, Tolerance (2)
43	1-4526	SPACER (2)
44	9-0289	NUT, 3/8-24 Hex Lock
45	1-4795	WASHER, 2" I.D. Nylon (2)
46	1-1791	RETAINER, 5/16 Bolt (2)
47	9-1537	NUT, 5/16-18 Wing Lock (2)
48	1-5446	BOLT, 3/8-24 x 9/16" Shoulder
49	9-0250	WASHER, 1/2 Flat (3)
50	2-4341	SPRING, Return
51	1-5495	BOLT, 3/8-24 x 3/4" Shoulder
52	9-0299	SCREW, #10-32 x 1" Self-Tapping
53	9-0122	WASHER, 3/8 Flat
54	9-1296	WASHER, 5/16 Flat
55	9-1518	NUT, 3/8-24 Hex Lock (Nyloc)
56	3-4754	SPRING BRAKE PAD
57	9-0583	NUT, Flange Lock 1/4-20
58	9-0584	BOLT, Flange Lock 1/4-20 x 1/2
59	2-8786	BUSHING, 3/8" Snap Plastic
60	7-6978	NUT, 1/4" Hex Nylock
61	2-8754	LINK, Spindle Brake
62	9-0673	PIN, 1/16 x 1/2" Cotter
63	2-9356	STUD, 5/16-18 x 5" (2)

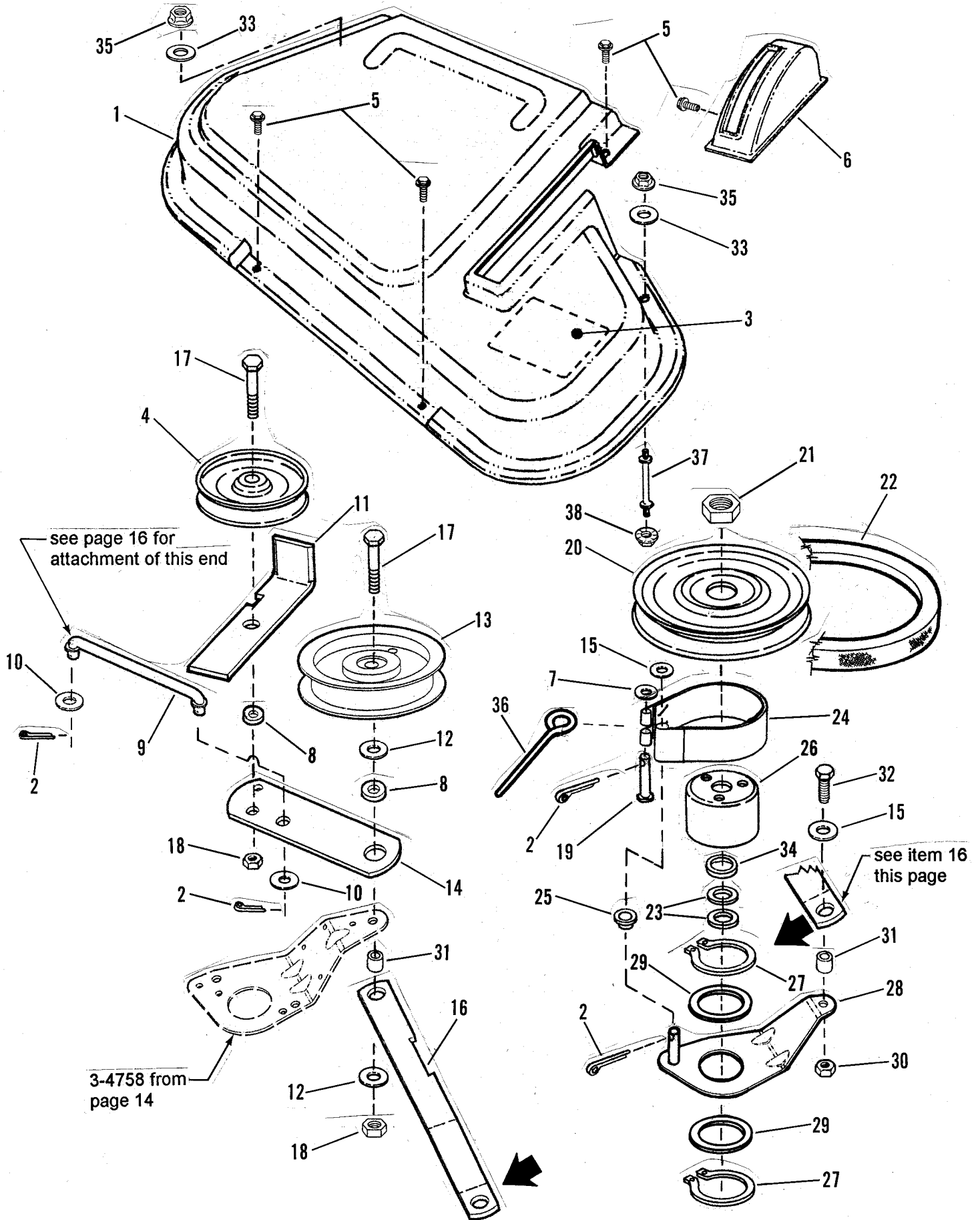
# RAILS, LIFT ARMS, CAM LIFT





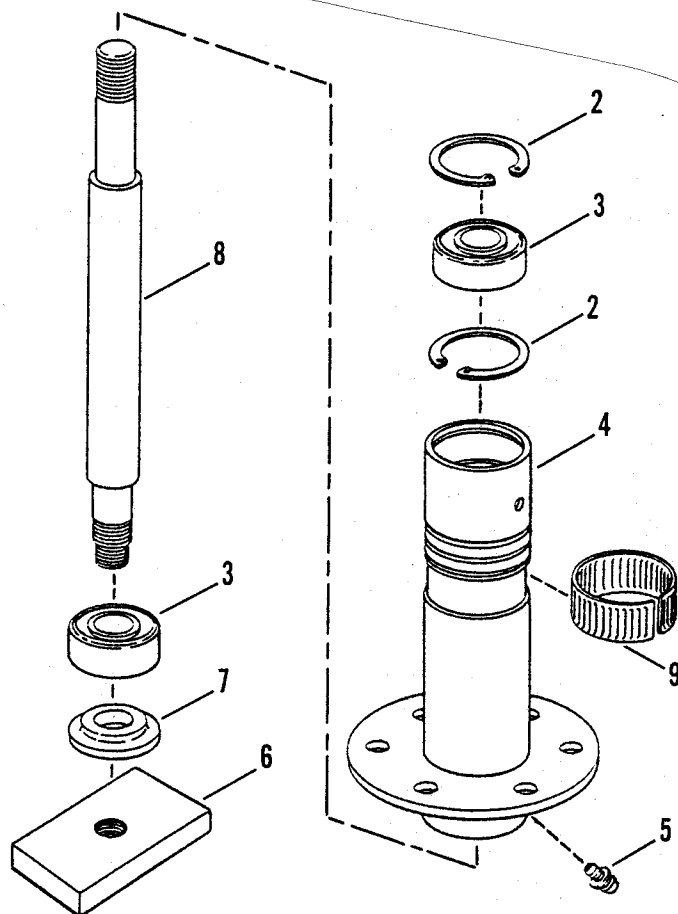
ITEM	PART NO.	DESCRIPTION
1	4-1248	ASSEMBLY, Rear Lift Arm
2	5-3300	LEVER, Height Adjustment Lift
3	3-4918	RAIL, Left Half
4	3-4919	RAIL, Right Half
5	4-1578	STRUCTURE, Front Lift Arm
6	4-0502	BRACE, Weldment
7	5-3923	ASSEMBLY, Clutch Plate
8	3-4759	SPINDLE, Brace (Right)
9	3-8096	SPINDLE, Brace (Left)
10	3-4763	BRACKET, Cover
11	9-1517	SCREW, 3/8-24 x 1-3/4", Gr. 5
12	3-4213	PIVOT
13	2-7944	ROD, Leveling
14	9-0499	NUT, 3/8-24 Hex Top Lock (3)
15	9-0390	WASHER, 3/8 Internal Tooth Lock
16	3-4857	GUIDE, Belt (Rod)
17	3-4853	GUIDE, Belt 42" RER
18	3-4069	QUADRANT, Lift Lever
19	1-3861	KEY, 3/16 x 7/8" Woodruff
20	2-7920	RING, 3/4 Retaining
21	2-8021	COVER, Chain (2)
22	9-0815	SCREW, 3/8-16 x 3/4" Self-Tapping (6)
23	9-0546	NUT, 3/8-24 Hex Lock (3)
24	9-0134	SCREW, 3/8-24 x 3/4" Hex Cap (2)
25	9-1606	NUT, 5/16-24 Hex Center Lock
26	2-8200	SWIVEL, Adjustable (2)
27	9-0390	WASHER, 3/8 Internal Tooth Lock
28	9-0613	NUT, 3/8-24 Hex Lock
29	9-0844	PIN, 3/16 x 3/4" Roll
30	1-2067	RING, Red (2)
31	9-0858	SCREW, 5/16-18 x 1/2" Self-Tapping (2)
32	2-2717	SUPPORT, Rod
33	1-7847	RING, Retaining (2)
34	1-2068	RING, Blue (2)
35	2-3658	GRIP, Height Adjustment Lever
36	1-5447	ECCENTRIC, Leveling
37	1-5495	BOLT, 3/8-24 x 3/4" Shoulder
38	3-2997	ARM, Front Lift (Left Side)
39	9-0582	BOLT, 3/8-16 x 1" Hex Flange Lock
40	9-0606	BOLT, 5/16-18 x 5/8" Hex Flange Lock (4)
41	2-4914	SPRING, Extension
42	2-6292	SPRING, Latch
43	9-0753	PIN, 3/16 x 1-1/2" Cotter
44	4-1581	LATCH
45	2-6286	GRIP, Lift Latch
46	1-1021	PIN, 1/4 x 1-1/4" Clevis
47	9-0360	PIN, 1/16 x 3/4" Cotter
48	9-1503	PIN, 3/32 x 1-1/2" Hair Cotter (2)
49	2-8728	ADJUSTER, Chain (2)
50	9-0122	WASHER, 3/8 Flat
51	1-0935	WASHER, 3/4 Flat (2)
52	1-4526	SPACER, 3/4 I.D.
53	1-4532	PULLEY, 5" O.D.
54	1-0027	NUT, 3/4-16 Hex Jam Lock
55	1-4731	DECAL, Blade On/Off
56	9-0361	BOLT, 5/16-18 x 5/8" Hex Washer Self-tap
57	3-2368	GUIDE, Belt
58	1-8574	IDLER, 4-1/8" Flat

# 42" DECK COVER, BLADE BRAKE

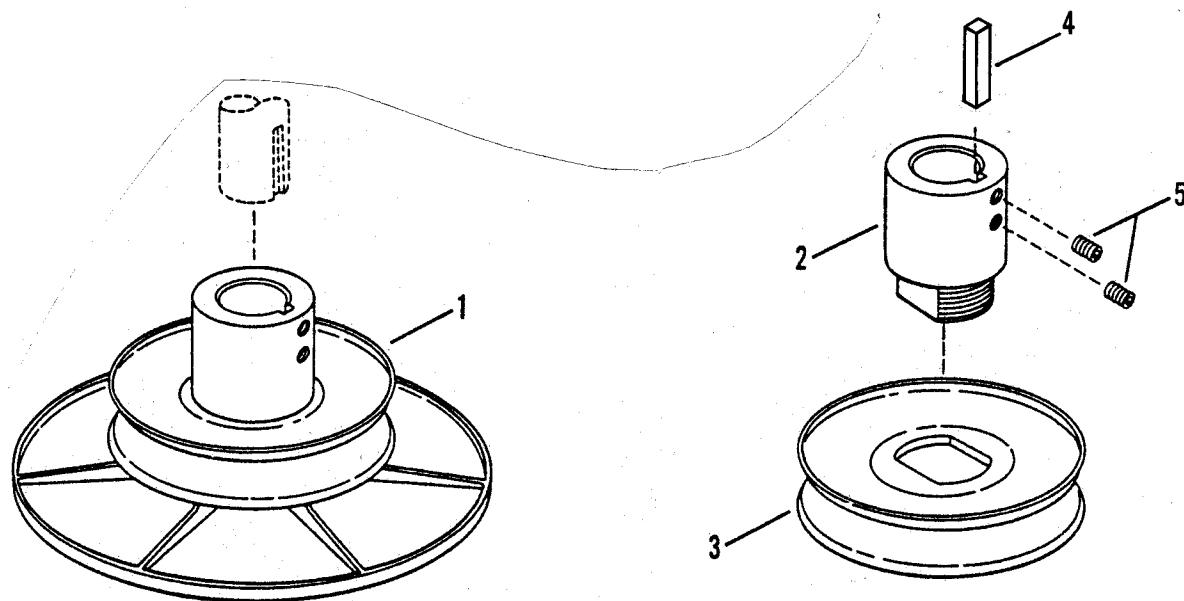


ITEM	PART NO.	DESCRIPTION
1	2-8785	COVER, Spindle 42"
2	9-0037	PIN, 3/32 x 3/4 Cotter (4)
3	2-8995	DECAL, Brake Operation
4	2-9624	PULLEY, Seam Welded Idler
5	9-1016	SCREW, 1/4-20 x 5/8" Self-Tapping (5)
6	2-7921	COVER, Lift Quadrant
7	9-0055	WASHER, 1/4 Flat
8	1-3849	SPACER, 21/64 x 5/8 x 5/32 (2)
9	2-8780	LINK, Idler
10	9-1514	WASHER, 13/32 x 13/16 x 3/32" Yellow Zinc Flat (2)
11	3-2111	GUIDE, Belt
12	1-6314	WASHER, 11/32 Flat (2)
13	1-8574	PULLEY, 4 1/8" Flat Idler
14	3-5229	ARM, Idler Dual
15	9-0122	WASHER, 3/8 Flat (2)
16	3-4297	LINK
17	9-1513	SCREW, 5/16-24 x 1-3/4" Hex Head Cap (2)
18	9-1606	NUT, 5/16-24 Yellow Zinc Hex Center Lock (2)
19	1-4304	PIN, 1/4 x 1-5/8" Clevis
20	1-4532	PULLEY, 5" O.D.
21	1-0027	NUT, 3/4-16 Hex Jam Lock
22	2-8784	BELT, "5L" Section 42"
23	1-0935	WASHER, 3/4 Flat (2)
24	3-4852	ASSEMBLY, Brake Band
25	1-4314	SPACER
26	3-5378	DRUM, Brake
27	1-0740	RING, Retaining (2)
28	4-7862	ASSEMBLY, Brake Arm
29	1-4795	WASHER, 2" I.D. Nylon (2)
30	9-0289	NUT, 3/8-24 Hex Center Lock
31	1-4527	SPACER (2)
32	9-0160	SCREW, 3/8-24 x 3/4" Hex Head Cap
33	9-1296	WASHER, 11/32 x 11/16 x 1/16 Flat (2)
34	1-4526	SPACER, 3/4 I.D.
35	9-1601	NUT, 5/16-18 Flange Lock (2)
36	2-9244	BOLT, 5/16-18 x 3" Eye
37	2-9303	STANDOFF, 3-1/2"
38	9-0613	NUT, 3/8-16, Hex Flange Lock

# SPINDLE

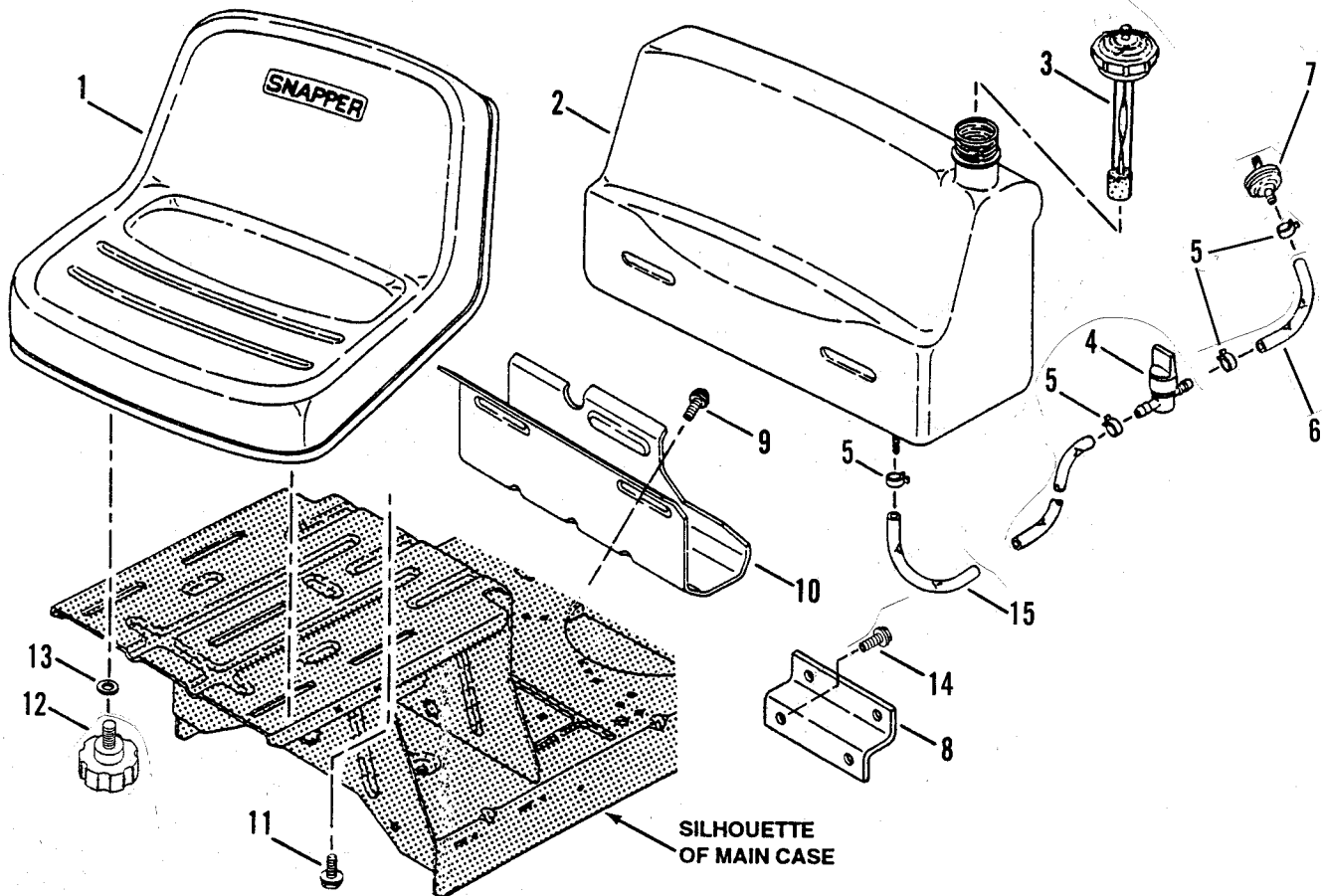


ITEM	PART NO.	DESCRIPTION
1	5-9628	ASSEMBLY, Spindle Housing (Includes items 2 thru 8)
2	1-2491	RING, Retaining (2)
3	1-3313	BEARING, Spindle (2)
4	4-7849	HOUSING, Spindle
5	1-0817	FITTING, Lube
6	3-2294	HOLDER, Blade
7	1-4407	WASHER, Spindle
8	2-7640	SPINDLE
9	1-2670	RING, Tolerance



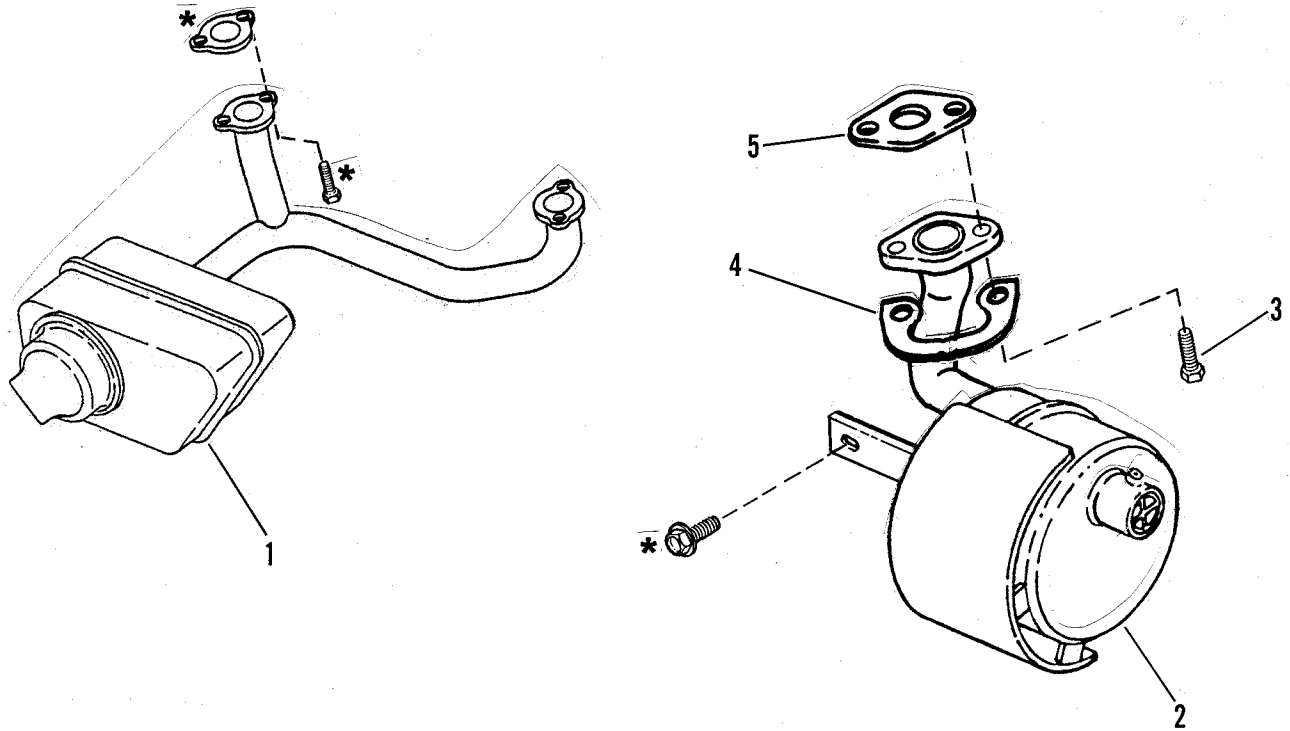
ITEM	PART NO.	DESCRIPTION
1	5-3709	ASSEMBLY, Drive Disc
2	1-1001	HUB
3	2-8779	PULLEY, Drive
4	1-0210	KEY
5	9-0132	SCREW, 3/8-16 x 3/8" Set (2)

# FUEL TANK & OPERATOR'S SEAT



ITEM	PART NO.	DESCRIPTION
1	2-2585	SEAT, Operator
2	5-2435	ASSEMBLY, Fuel Tank (Includes item 3)
3	1-9377	CAP, Fuel Tank (w/gauge)
4	1-6325	VALVE, Fuel Shut-Off
5	1-2222	CLAMP, Fuel Line (4)
6	3-2038	HOSE, Fuel (5" Long)
7	1-4359	FILTER, Fuel (In-Line)
8	3-3597	BRACKET, Tank (used on B&S 16HP)
9	9-1542	SCREW, 5/16-18 x 5/8" Self-Tapping (2)
10	3-3377	BRACKET, Fuel Tank (Rear)
11	9-1038	BOLT, 5/16-18 x 1/2" Hex Flange Lock (2)
12	2-8659	KNOB, Seat Adjusting (2)
13	1-3849	SPACER, 5/16 (2)
14	9-0858	SCREW, 5/16-18 x 1/2" Self-Tapping
15	2-4247	HOSE, Fuel (24-1/4" Long)

# EXHAUST MUFFLER



ITEM	PART NO.	DESCRIPTION
1	2-8361	MUFFLER (16HP Briggs Engine)
2	2-8671	MUFFLER (16 HP Tecumseh Engine)
3	2-7168	SCREW, Hex Head 5/16-18 x1" Grade 5 (2)
4	2-8685	PLATE, Lock
5	2-8686	GASKET, Exhaust

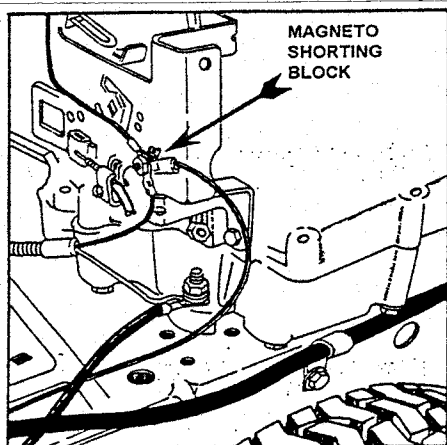
**\*FURNISHED WITH ENGINE**



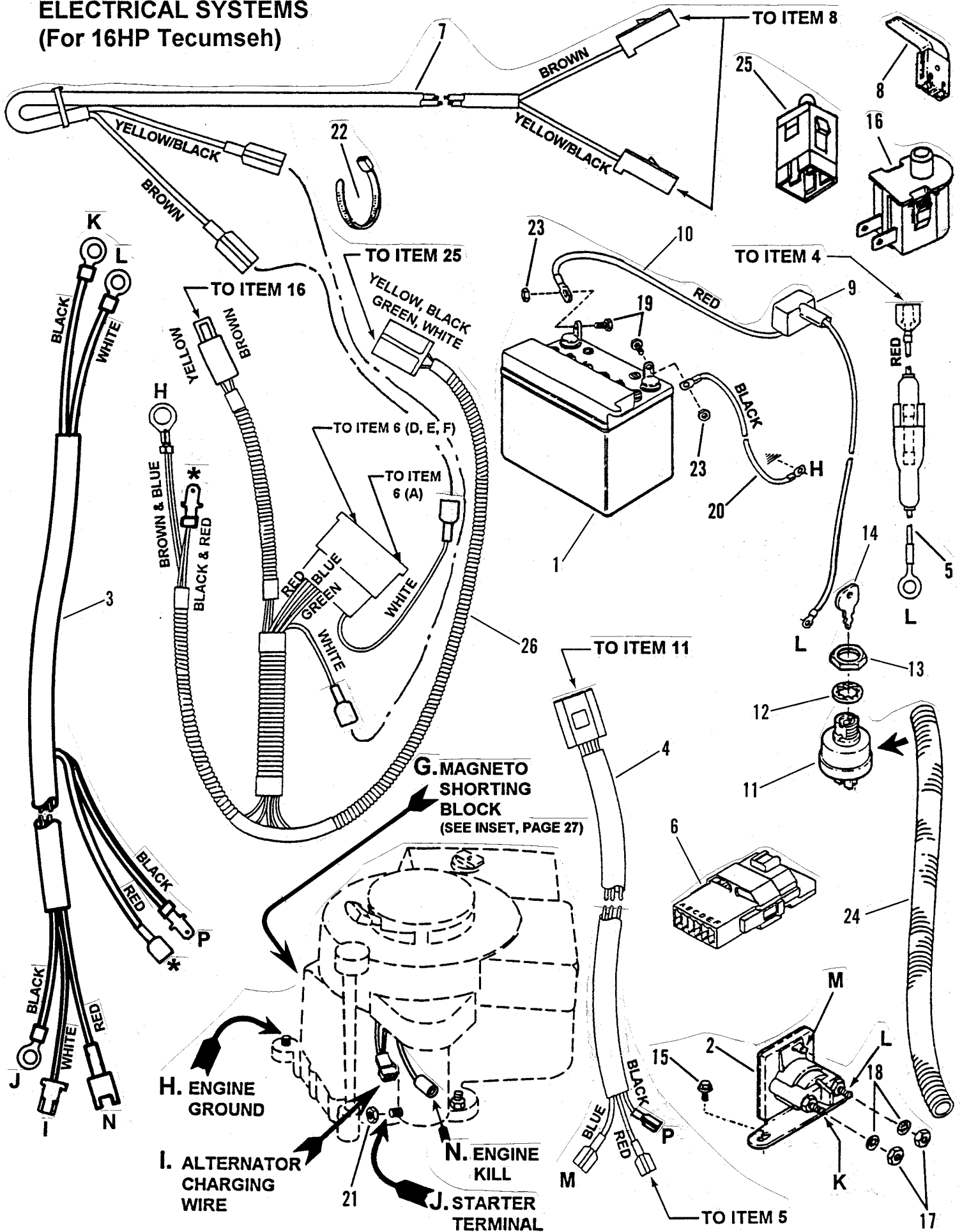


# ELECTRICAL SYSTEMS (For 16HP Briggs)

ITEM	PART NO.	DESCRIPTION
1	6-0753	KIT, 12V Dry Charge Battery
2	1-8817	SOLENOID
3	3-5555	HARNESS, Starter Wiring (Briggs)
4	2-4237	HARNESS, Ignition Wiring (Briggs)
5	1-6168	HOLDER, Fuse (Includes Fuse)
-	1-6169	FUSE (10 AMP)
6	2-8606	INTERLOCK Module (Briggs)
7	2-8386	HARNESS, Deck Interlock Wiring
8	1-8524	SWITCH, Deck Interlock
9	1-2444	COVER, Battery Cable
10	1-9326	CABLE, Positive (Red)
11	2-2880	SWITCH, Ignition (Used With Electric Start)
12	9-0880	WASHER, 5/8 Internal Tooth Lock
13	1-5438	NUT, 5/8-32 Hex
14	1-1138	KEY, Switch (2)
15	9-0539	SCREW, 1/4-20 x 1/2" Self-Tapping (3)
16	2-3354	SWITCH
17	2-8770	HARNESS WIRE (Operator Presence Control)(Briggs)
18	9-0053	WASHER, 1/4 Internal Tooth Lock (2)
19	2-7172	SCREW, 1/4-20 x 5/8" Hex Head Cap (2)
20	2-8027	CABLE, Negative
21	9-1576	NUT, 1/4-20 Hex
22	1-2080	TIE, 7" Long Cable (2)
23	9-0372	NUT, 1/4-20 Hex Lock (2)
24	2-4252	CONDUIT (Used On Briggs 16)
25	2-2886	SWITCH, Traction (Operator Presence Control)

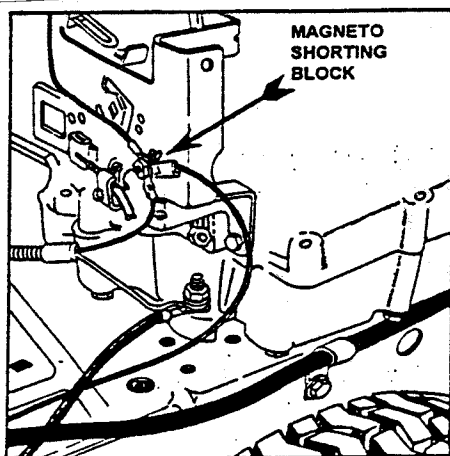


# ELECTRICAL SYSTEMS (For 16HP Tecumseh)

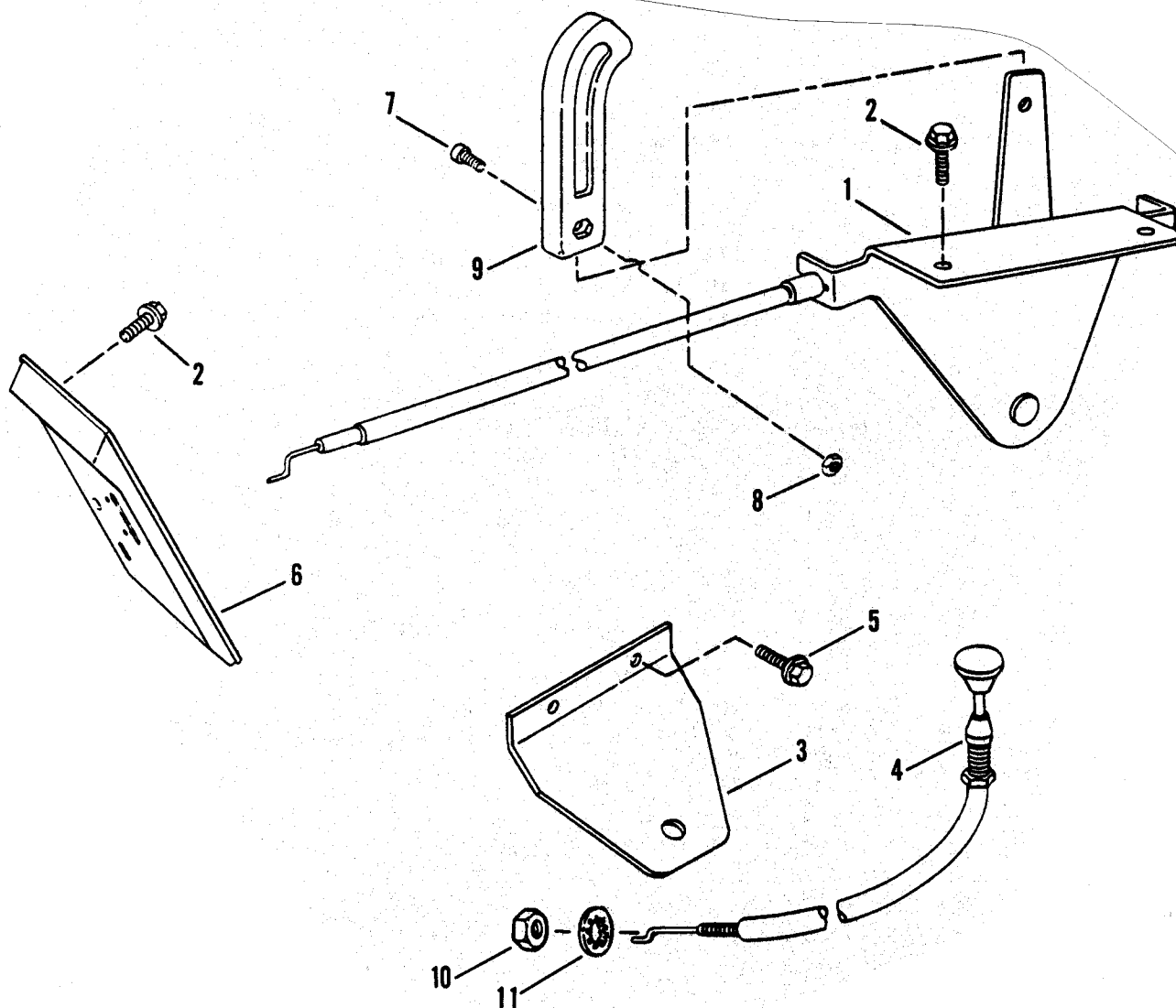


# ELECTRICAL SYSTEMS (For 16HP Tecumseh)

ITEM	PART NO.	DESCRIPTION
1	6-0753	KIT, 12V Dry Charge Battery
2	1-8817	SOLENOID
3	2-8687	HARNESS, Starter Wiring (Tecumseh)
4	1-9322	HARNESS, Ignition Wiring
5	1-6168	HOLDER, Fuse (Includes Fuse)
-	1-6169	FUSE (10 AMP)
6	2-8677	INTERLOCK Module (Kohler/Tecumseh)
7	2-8386	HARNESS, Deck Interlock Wiring
8	1-8524	SWITCH, Deck Interlock
9	1-2444	COVER, Battery Cable
10	1-9326	CABLE, Positive (Red)
11	2-2880	SWITCH, Ignition (Used With Electric Start)
12	9-0880	WASHER, 5/8 Internal Tooth Lock
13	1-5438	NUT, 5/8-32 Hex
14	1-1138	KEY, Switch (2)
15	9-0539	SCREW, 1/4-20 x 1/2" Self-Tapping (3)
16	2-3354	SWITCH
17	9-0063	NUT, 1/4-20 Hex (4)
18	9-0053	WASHER, 1/4 Internal Tooth Lock (2)
19	2-7172	SCREW, 1/4-20 x 5/8" Hex Head Cap (2)
20	2-8027	CABLE, Negative
21	9-1576	NUT, 1/4-20 Hex
22	1-2080	TIE, 7" Long Cable (2)
23	9-0372	NUT, 1/4-20 Hex Lock (2)
24	2-4252	CONDUIT (Used On Briggs 16)
25	2-2886	SWITCH, Traction (Operator Presence Control)
26	2-8678	HARNESS WIRE (Operator Presence Control) (Kohler/Tec.)



# THROTTLE CONTROL

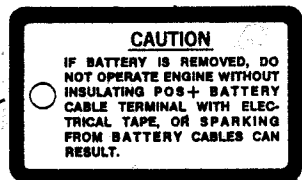
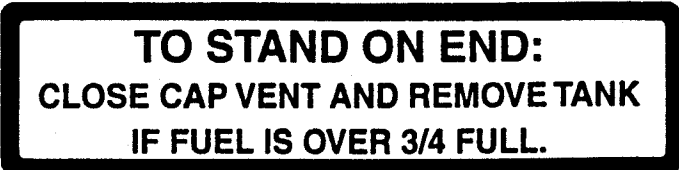
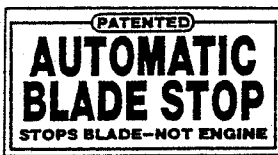
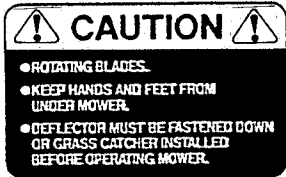
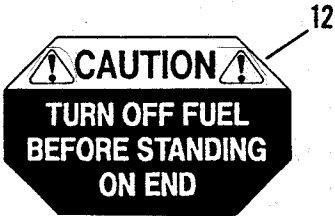
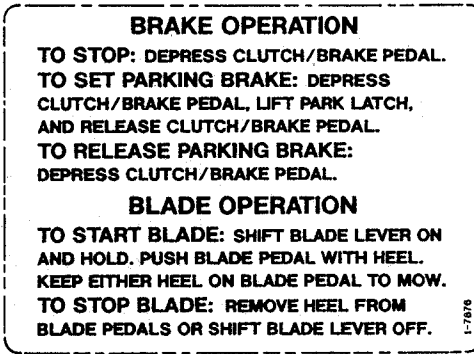
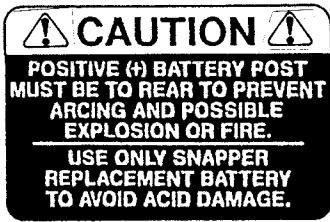
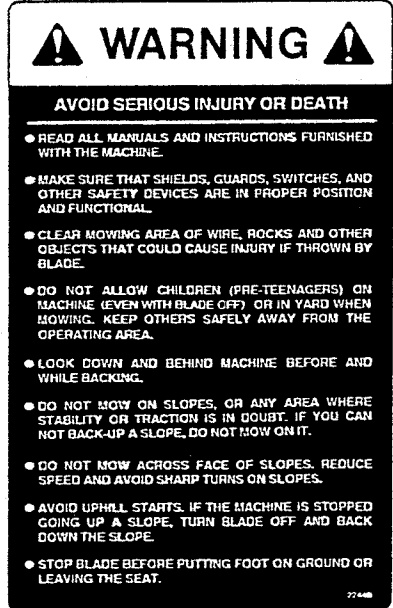
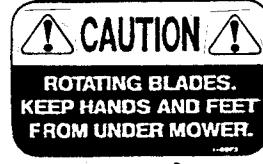
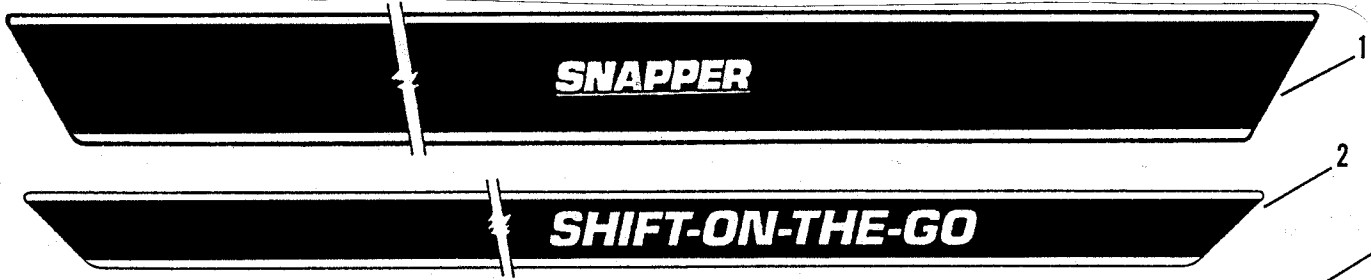


ITEM	PART NO.	DESCRIPTION
1	2-4242	CONTROL, Throttle (Briggs Engines)
--	2-2483	CONTROL, Throttle (Tecumseh)
2	9-0913	SCREW, #10-24 x 1/2" Self-Tapping (Torx) (5)
3	3-4855	PLATE, Throttle Control
4	2-4185	CONTROL, Choke
5	9-0539	SCREW, 1/4-20 x 5/8" Self-Tapping (2)
6	2-4233	COVER, Dash Panel (Briggs 16)
--	2-3665	COVER, Dash Panel (Tecumseh 16)
7	9-1017	SCREW, #8-32 x 3/8" Cross-Recess, Fillister Head (2)
8	9-1018	NUT, #8-32 Hex (2)
9	2-3655	KNOB, Throttle Control
10	9-0155	NUT, 3/8-24 Hex
11	9-0390	WASHER, 3/8 Internal Tooth Lock

**SNAPPER REAR ENGINE RIDER ACCESSORIES**

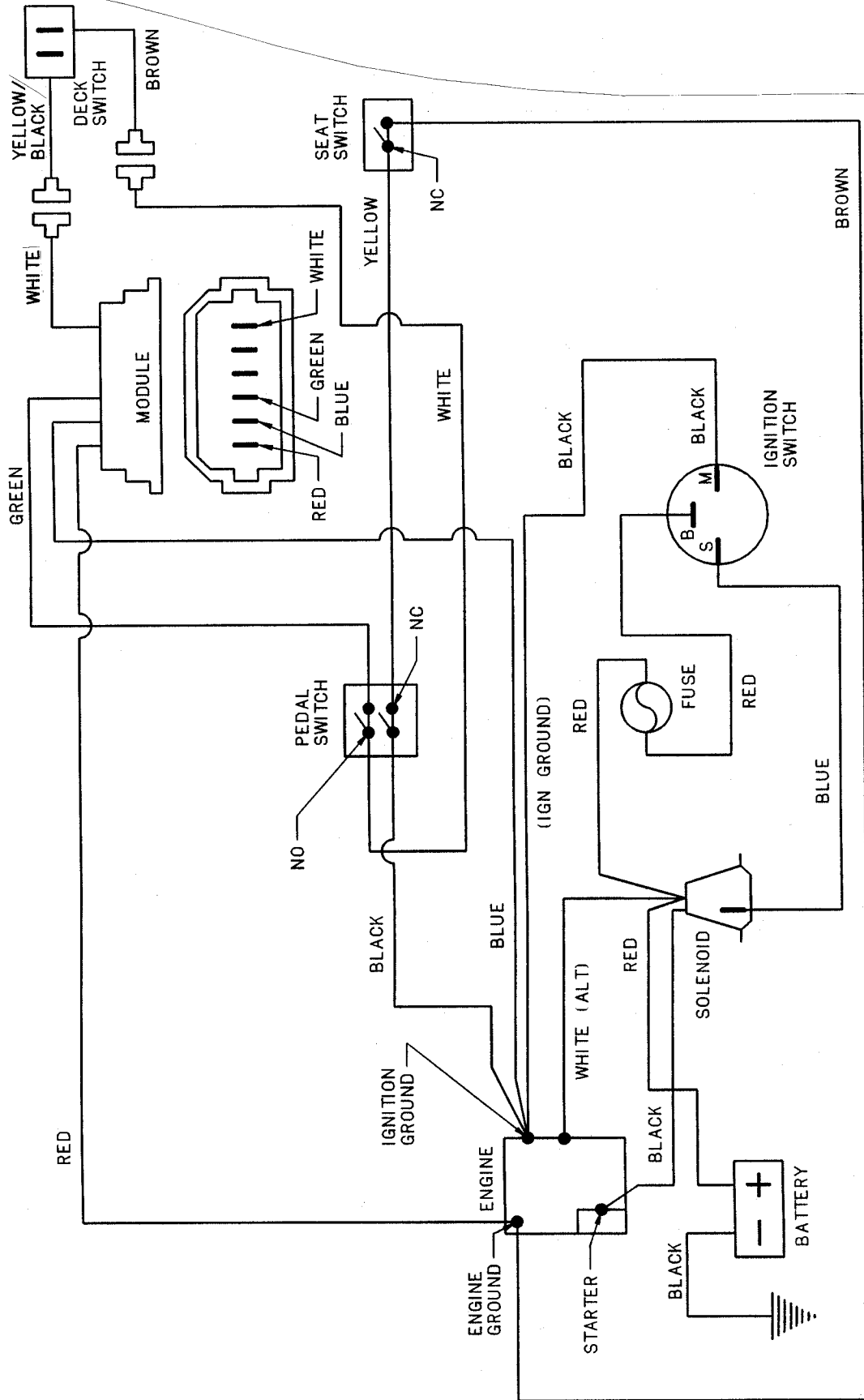
<b>PART NO.</b>	<b>DESCRIPTION OF KIT</b>	<b>MODELS USED ON</b>
6-0517.....	Wheel Weight (8" Wheels) .....	All Rear Engine Riders
6-0601.....	Smooth Start Clutch .....	All Rear Engine Riders
6-0697.....	Dump Cart.....	All Rear Engine Riders
6-0737.....	Gauge Wheel .....	All 33" Deck Rear Engine Riders
6-0794.....	Gauge Wheel .....	All 41" & 42" Deck Rear Engine Riders
6-0941.....	Single Bag Catcher.....	All 25" Deck Rear Engine Riders
6-0942.....	Single Bag Catcher.....	All 26" & 30" Deck Rear Engine Riders
6-0943.....	Single Bag Catcher.....	All 28" & 33" Deck Rear Engine Riders
6-0944.....	Single Bag Catcher.....	All 41" & 42" Deck Rear Engine Riders
6-0945.....	Twin Bag Catcher.....	All 41" & 42" Deck Rear Engine Riders
6-0946.....	Twin Bag Catcher.....	All 28" & 33" Deck Rear Engine Riders
6-0947.....	Bag-N-Wagon .....	All 28" & 33" Deck Rear Engine Riders
6-0948.....	Thatcherizer .....	All Series 7 & Newer Riders
6-0964.....	Wagon Cover.....	All 28" & 33" Deck Rear Engine Riders
6-1190.....	Weight (Front) .....	All Series 7 & Newer Riders
6-0959.....	Dozer Blade (36" Blade) .....	All Rear Engine Riders
6-0357.....	Tire Chains (Tires-16 x 6.50-8) .....	All Rear Engine Riders
6-0357.....	Tire Chains (Tires-16 x 4.80-8) .....	All Rear Engine Riders
6-1049.....	Ninja Recycling (Cover).....	All 25" Deck Rear Engine Riders
6-1253.....	Ninja Recycling (Cover).....	All 28" Deck Rear Engine Riders
6-1254.....	Ninja Recycling (Cover).....	All 30" Deck Rear Engine Riders
6-1255.....	Ninja Recycling (Cover).....	All 33" Deck Rear Engine Riders
6-1220.....	Ninja Recycling (Cover).....	All 41" & 42" Deck Rear Engine Riders

**DECALS**



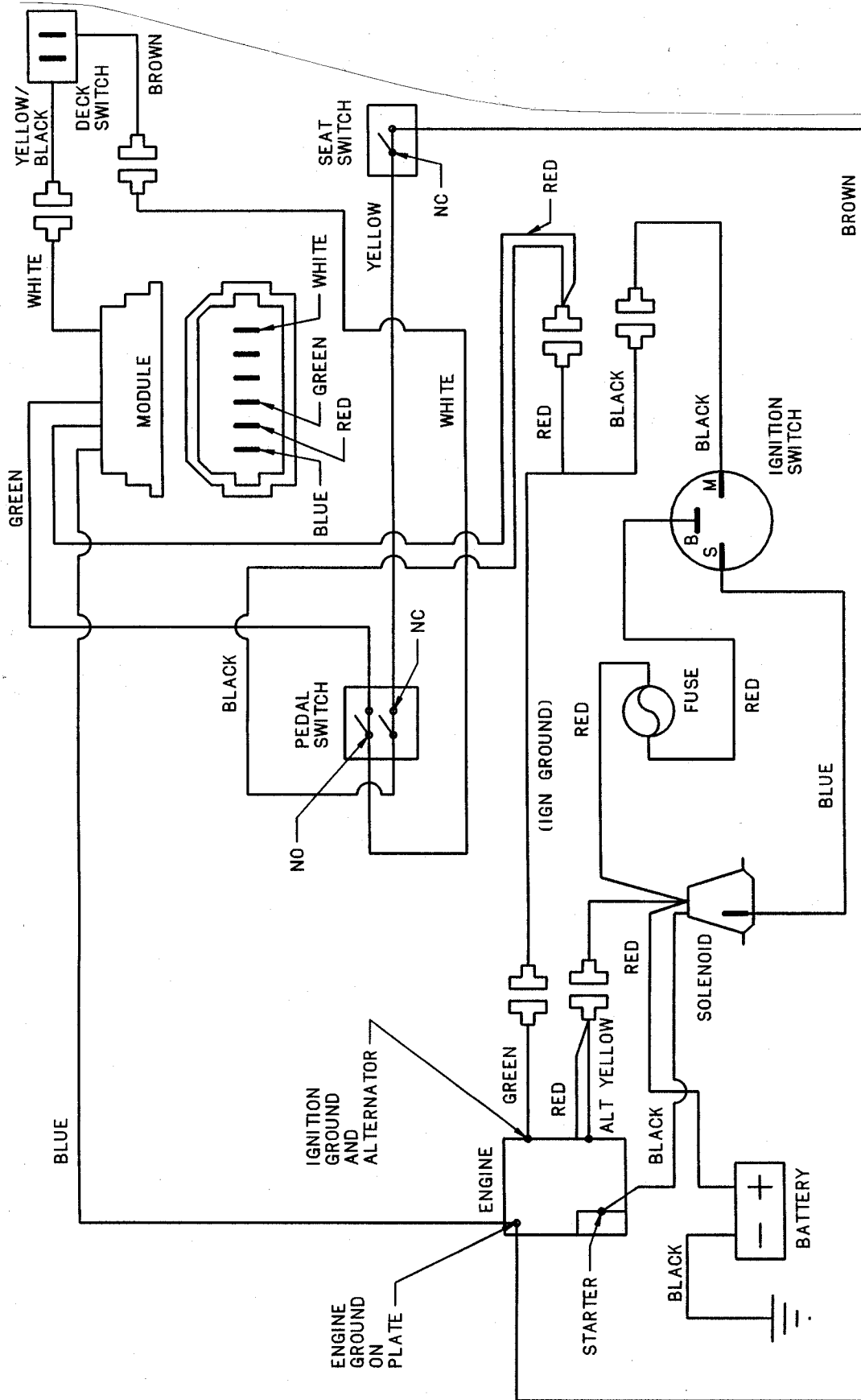
ITEM	PART NO.	DESCRIPTION
1	2-4045	DECAL, Banner (Blue) (42" Models)
2	2-4004	DECAL, Bumper Stripe (Blue) (42" Models)
3	2-2448	DECAL, Warning, Safety Instruction
4	1-6973	DECAL, Caution, Rotating Blades
5	1-6974	SNAPPER (Molded Logo)
6	2-7890	DECAL, SR1642
7	1-5691	DECAL, Caution, Battery
8	2-4067	LOGO, Convertible (Blue) (42" Models)
9	1-3010	DECAL, Danger
10	2-4910	DECAL, 42 Inch
11	3-4206	DECAL, Fuel Routing
12	2-4506	DECAL, Fuel Shut-Off
13	1-4852	DECAL, Caution
14	2-4072	DECAL, Automatic Blade Stop
15	2-7937	DECAL, Patent
16	1-2358	DECAL, Battery Storage
17	2-9453	MEDALLION, SAM
18	1-6134	DECAL, Caution
19	1-4731	DECAL, Blade Engagement
20	2-8995	DECAL, Brake Operation
21	2-8692	DECAL, Engine 16(Tecumseh)
22	2-9113	DECAL, Caution Fuel
23	1-4000	BOOK, Safety
24	1-5534	BOOKLET, Dirt

# WIRING SCHEMATIC



WIRING SCHEMATIC FOR 9, 10, 12 AND 16HP BRIGGS





WIRING SCHEMATIC FOR 16HP TECUMSEH





**Parts Manual for**

**SNAPPER®**

**REAR ENGINE RIDER  
MODELS: 421615BVE  
& 421615TVE  
SERIES 15**

IT IS THE POLICY OF SNAPPER TO IMPROVE ITS PRODUCTS WHENEVER IT IS POSSIBLE AND PRACTICAL TO DO SO. WE RESERVE THE RIGHT TO MAKE CHANGES OR ADD IMPROVEMENTS AT ANY TIME WITHOUT INCURRING ANY OBLIGATION TO MAKE SUCH CHANGES ON PRODUCTS MANUFACTURED PREVIOUSLY.

## Free Manuals Download Website

<http://myh66.com>

<http://usermanuals.us>

<http://www.somanuals.com>

<http://www.4manuals.cc>

<http://www.manual-lib.com>

<http://www.404manual.com>

<http://www.luxmanual.com>

<http://aubethermostatmanual.com>

Golf course search by state

<http://golfingnear.com>

Email search by domain

<http://emailbydomain.com>

Auto manuals search

<http://auto.somanuals.com>

TV manuals search

<http://tv.somanuals.com>