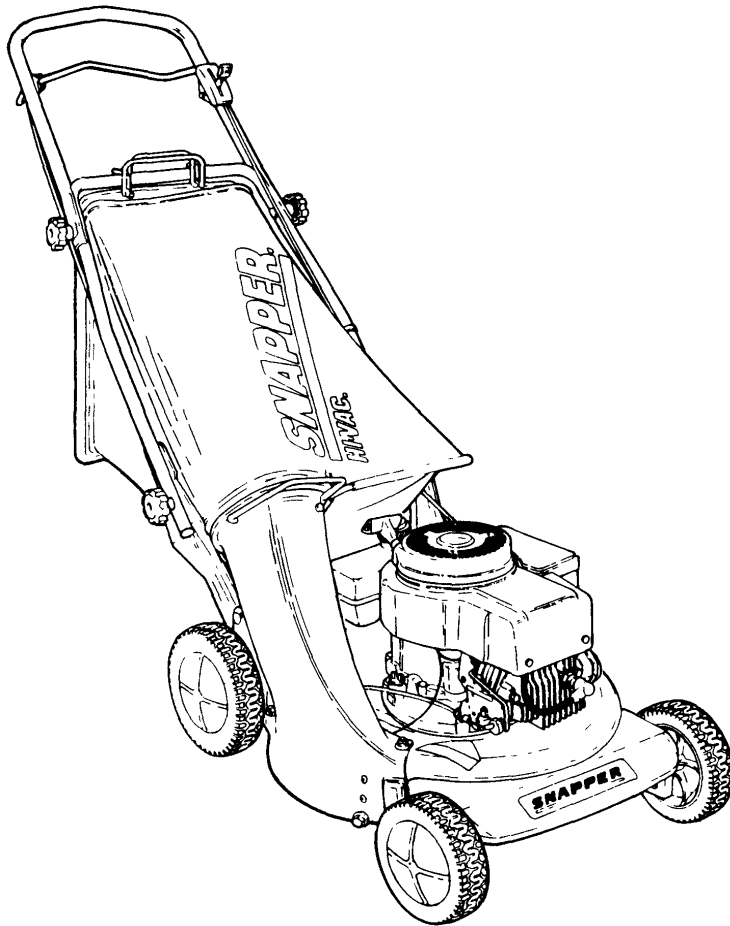


Parts Manual for

SNAPPER®

20" STEEL DECK LIGHT WEIGHT (Standard & OPP) WALK BEHIND MOWERS SERIES 0



MODEL
D20380
EDLW400R2
ELW400
R20400

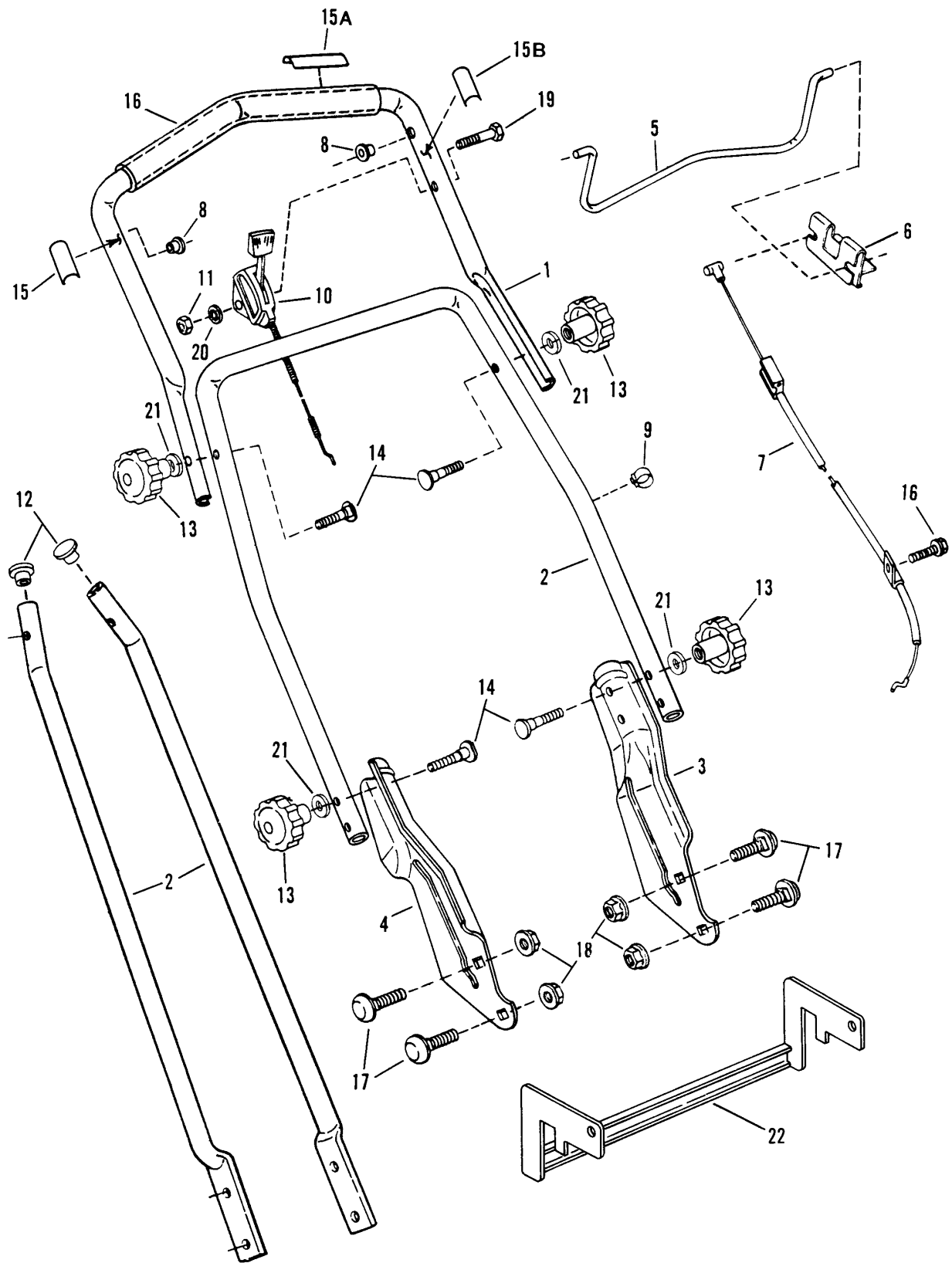
SNAPPER® McDonough, GA, 30253 U.S.A.

COPYRIGHT © 2005
SNAPPER PRODUCTS, INC.
ALL RIGHTS RESERVED.

Revision 1, 9/22/2005

Manual No. 7006040
TP 400-5103-1-WB-N

PAGE	GROUP
4	Handles & Controls
6	Cutting Deck, Blade, Interlock
8	Cutting Deck, Blade, Interlock (OPP Models Only)
10	Wheels, Guards, Axles
12	Wheels, Guards, Axles (OPP Models Only)
14	Decals
16	Accessory - Grass Bag
18	Accessory - Side Chute, Adapter
20	Accessory - Snapperizer
22	Accessory - Recycling Kits

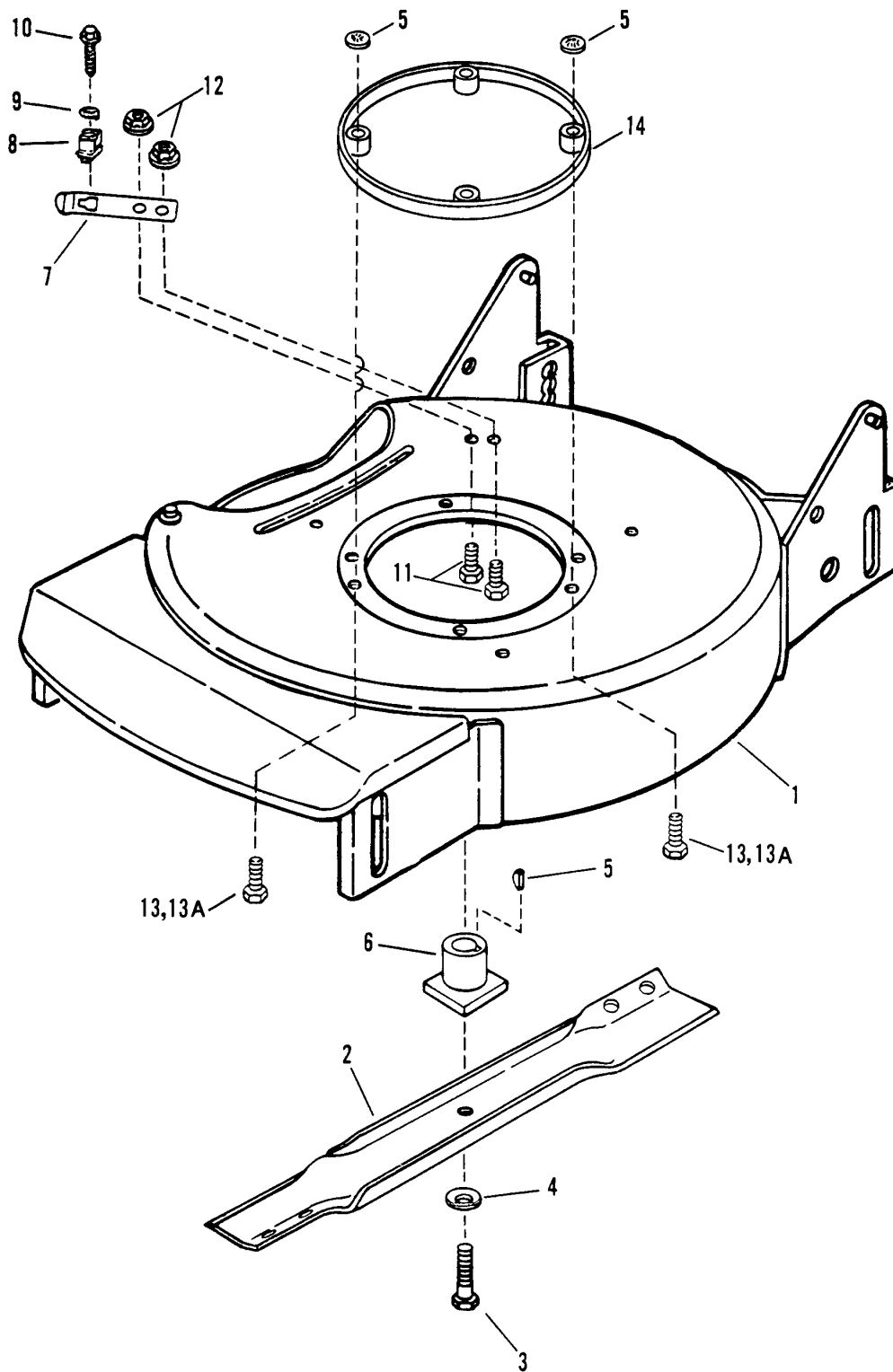


Handles & Controls

Item	Part No	Qty	Description	Note
1	7074384	1	HANDLE, Upper	Was 33473
	7033477	1	HANDLE, Upper	Was 33474 (For OPP Models Only)
2	7036350	1	HANDLE, Middle	
	7033406	1	HANDLE, Middle	(For OPP Models Only)
3	7046502	1	HANDLE, Lower Left Hand	Was 38467
4	7035342	1	HANDLE, Lower Right Hand	Was 38466
5	7017072	1	CONTROL, Blade	
6	7033904	1	CLIP, Blade Control	Was 32829
7	7023765	1	CABLE, Blade Control (Briggs & Robin 4-Cycle)	
	7027475	1	CABLE, Blade Control (Robin 2-Cycle)	Was 24146
8	7014343	1	BUSHING	
9	7023813	1	CLIP, Wiring Harness	
10	7019254	1	CONTROL, Throttle (Briggs & Robin 4-Cycle)	
	7024140	1	CONTROL, Throttle (Robin 2-Cycle)	
11	7090095	1	NUT, 1/4-28 Hex	Was 91024
12	7016544	2	PLUG	(For OPP Models Only)
13	7023735	4	KNOB, 5/16-18	
14	7091740	4	SCREW, 5/16-18 x 2" Curved Head	Was 91189
15	7024088	1	DECAL, Blade Control	
15A	7023745	1	DECAL, Blade Control	(Used On Models Without Foam Grip Handles)
15B	7024211	1	DECAL, Blade Control	
16	7090898	1	SCREW, #10-32 x 5/16" Sems	
17	7090799	4	BOLT, 5/16-18 x 5/8" Short Neck Carriage	Was 91026
18	7091601	4	NUT, 5/16-18 Hex Flange Lock	Was 91070
19	7090112	1	SCREW, 1/4-28 x 2" Hex Head Cap	Was 90963
20	7090053	1	WASHER, 1/4 Internal Tooth Lock	Was 91023
21	7090391	1	WASHER, 5/16 Internal Tooth Lock	Was 91068
22	7049753	1	FENDER, Weldment Structure	(For European Models)

Footnotes:

Cutting Deck, Blade, Interlock

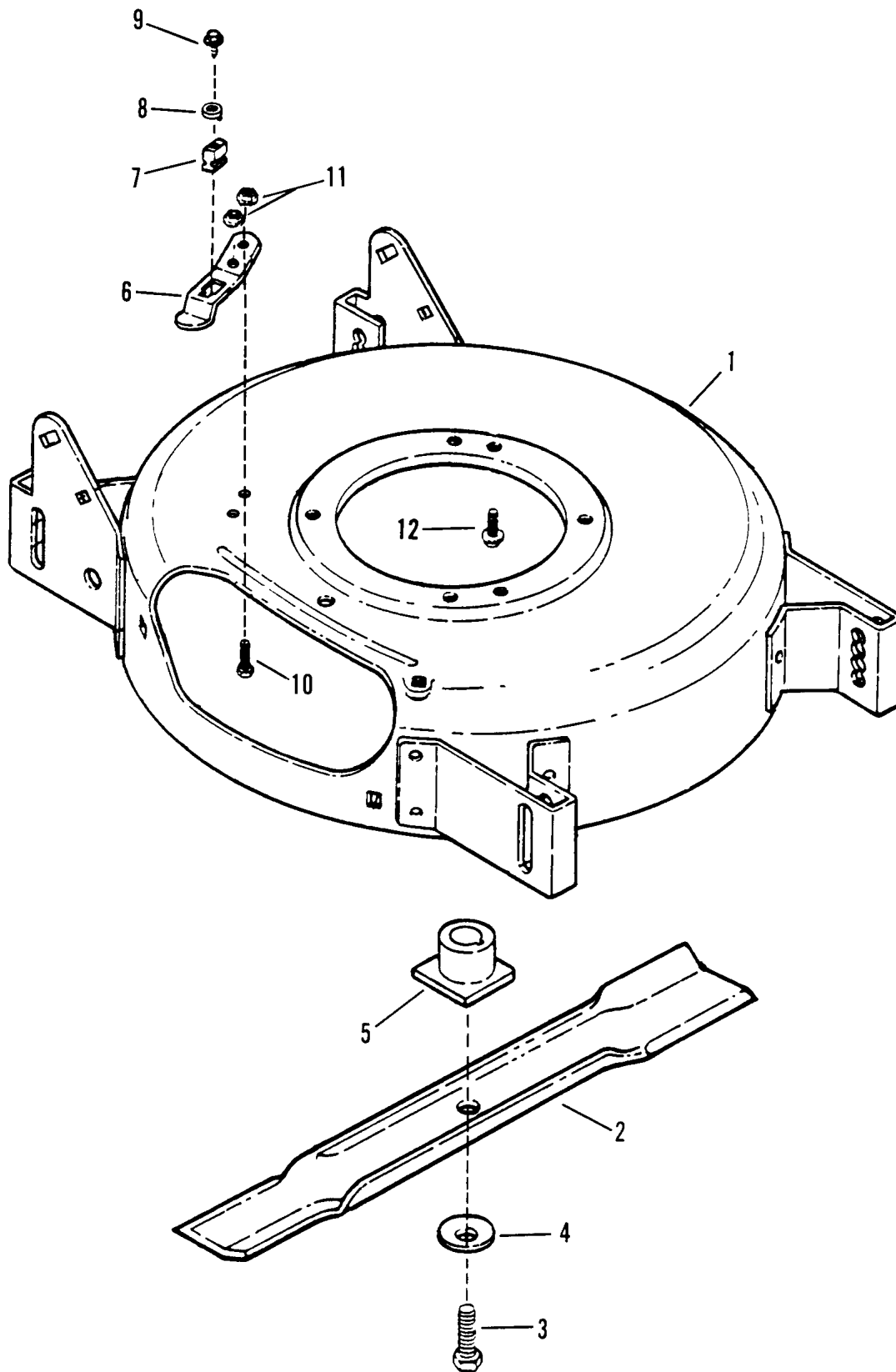


Cutting Deck, Blade, Interlock

Item	Part No	Qty	Description	Note
1	7057662	1	DECK, Mower	<i>Was 47972 (Includes painted deck with decals)</i>
	7057662	1	ASSEMBLY, Tall Mower Deck	<i>Was 53087 (Includes 1, 13A, 5 & 14)</i>
2	7017031	1	BLADE, Cutter	
	7017167	1	BLADE, Cutter	<i>(For Recycling Models Only)</i>
3	7090167	1	SCREW, 3/8-24 x 2" Hex Head Cap (Gr. 5)	
4	7012063	2	WASHER, Cone	
5	7013847	2	RETAINER, 3/8 Bolt	
6	7015626	1	HUB, Drive Blade	
7	7033408	1	SPRING, Interlock	
	7032137	1	SPRING, Interlock	
8	7012048	1	INSULATOR, Interlock	
9	7090385	1	WASHER, #8 Tab	
10	7090379	1	SCREW, #8-18 x 3/4" Self-Tapping	
11	7090071	1	SCREW, 1/4-20 x 3/4" Hex Flange Lock	
12	7091584	2	NUT, 1/4-20 Hex Flange	<i>Was 91065</i>
13	7090324	3	SCREW, 3/8-16 x 1" Self-Tapping	
13A	7091088	3	SCREW, 3/8-16 x 2" Self-Tapping	
14	7041346	1	RING, Spacer Structure	
15	7011762	1	COVER, Spark Plug	<i>(Not Shown)</i>
	7061151	1	AIRLIFT, Hardware Bag	<i>(Includes Airlifts); Not shown</i>

Footnotes:

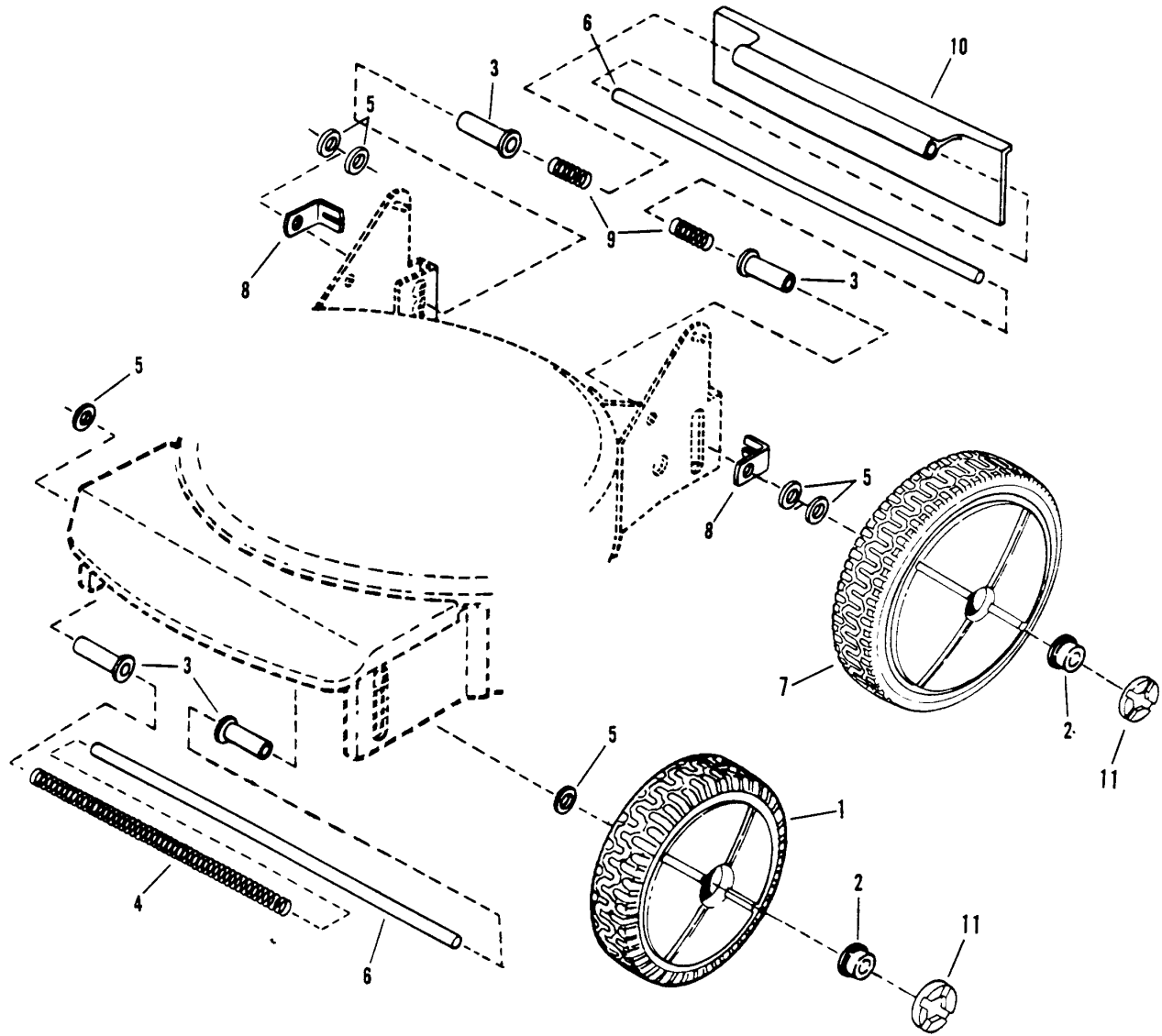
Cutting Deck, Blade, Interlock (OPP Models Only)



Cutting Deck, Blade, Interlock (OPP Models Only)

Item	Part No	Qty	Description	Note
1	7057662	1	DECK, Mower	<i>Was 52502 (Includes painted deck with decals)</i>
2	7022396	1	BLADE, Cutter	
3	7090167	1	SCREW, 3/8-24 x 2" Hex Head Cap (Gr. 5)	
4	7012063	2	WASHER, Cone	
5	7022390	1	HUB, Blade Drive (Tecumseh 2-Cycle)	
6	7033408	1	SPRING, Interlock	
7	7012048	1	INSULATOR, Interlock	
8	7090385	1	WASHER, #8 Tab	
9	7090379	1	SCREW, #8-18 x 3/4" Self-Tapping	
10	7090071	2	SCREW, 1/4-20 x 1/2" Hex Head Cap	<i>Was 91145</i>
11	7091584	2	NUT, 1/4-20 Hex Flange	<i>Was 91065</i>
12	7090324	3	SCREW, 3/8-16 x 1" Self-Tapping	
13	7011762	1	COVER, Spark Plug	<i>(Not Shown)</i>

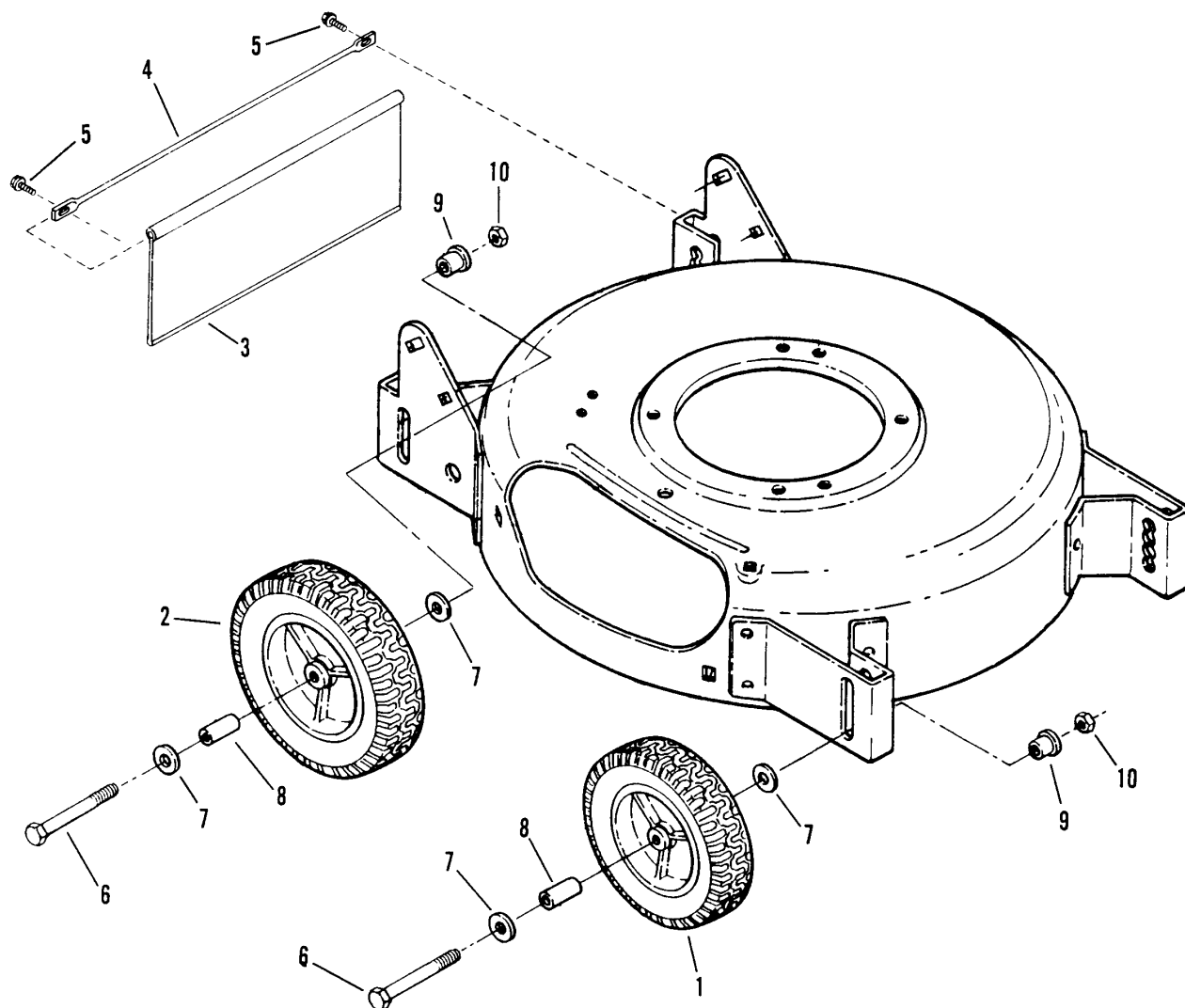
Footnotes:



Wheels, Guards, Axles

Item	Part No	Qty	Description	Note
1	7022259	2	WHEEL, Front 7 x 1.75	
2	7013024	4	HUB-CAP, Wheel	
3	7013320	2	BUSHING, Height Adjustment	
4	7013307	1	SPRING, Front Axle	
5	7090122	6	WASHER, 3/8" Flat	
6	7034357	2	AXLE, 3/8 x 19-3/8"	<i>Was 37946</i>
7	7022260	2	WHEEL, Rear 8 x 2.00	
8	7032118	2	CLIP, Rear Guard	
9	7013027	2	SPRING, Rear Guard	
10	7018444	1	GUARD, Rear Foot	
11	7017829	4	PLUG, Wheel	

Footnotes:



Wheels, Guards, Axles (OPP Models Only)

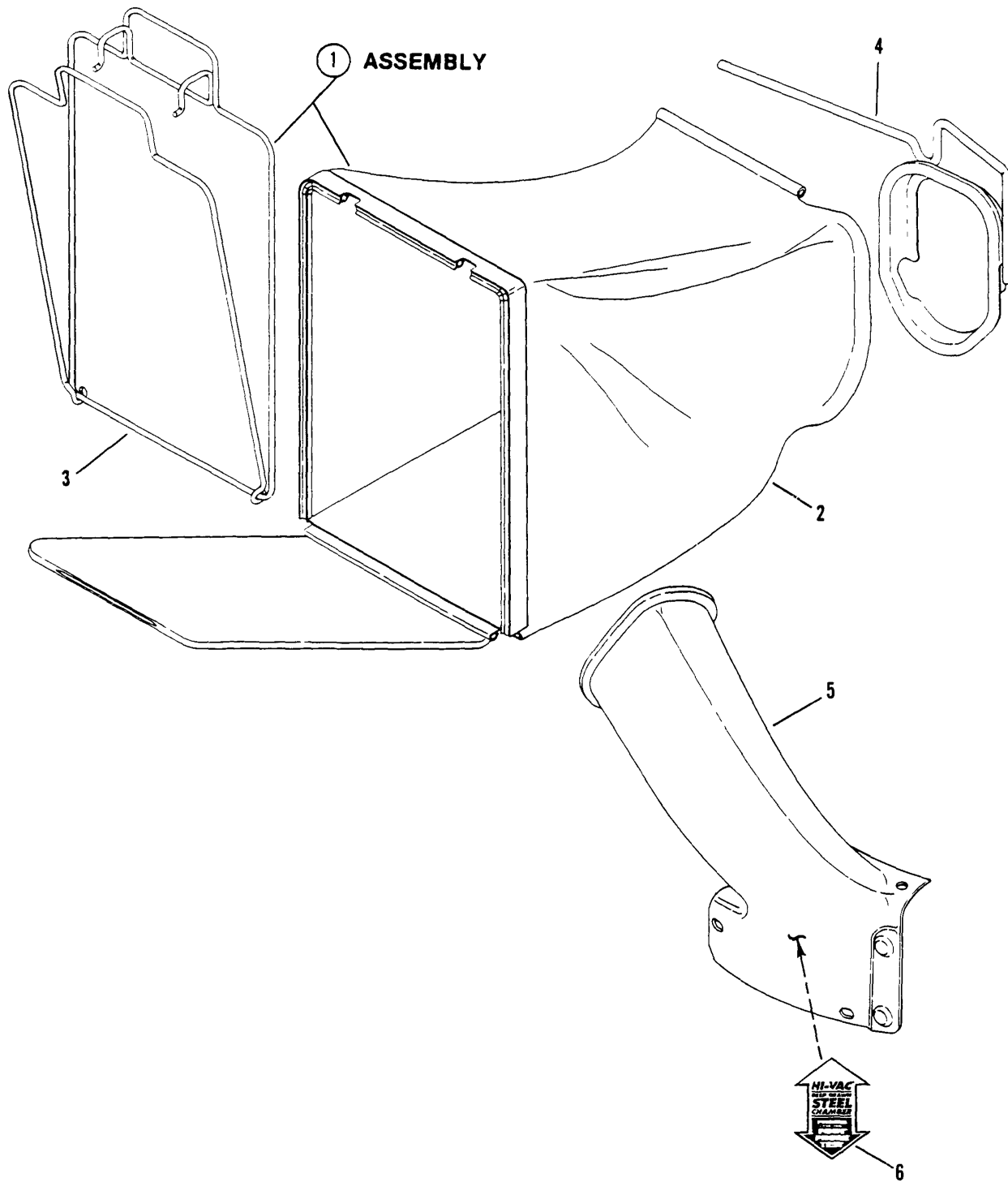
Item	Part No	Qty	Description	Note
1	7022795	2	WHEEL, Front 7 x 1.75	
2	7022374	2	WHEEL, Rear 8 x 2.00	
3	7024280	1	GUARD, Rear Foot	
4	7024086	1	SUPPORT, Foot Guard	
5	7090913	2	SCREW, #10-24 x 1/2" Hex Washer Self-Tap (Torx)	
6	7091142	4	SCREW, 3/8-16 x 3-1/8" Hex Head Cap	
7	7091149	8	WASHER, 3/8" Flat	
8	7012309	4	BUSHING, Axle	Was 22375
9	7022376	4	BUSHING, Height Adjustment	
10	7091150	2	NUT, 3/8-16 Hex Center Lock	

Footnotes:

Decals

Item	Part No	Qty	Description	Note
1	7024263	1	DECAL, Recycling / Foot Probe	
2	7024169	1	DECAL, Hi-Vac / Foot Probe	
3	7024211	1	DECAL, Blade Control	
4	7024088	1	DECAL, Blade Control	
5	7013010	1	DECAL, Warning	
6	7013312	1	DECAL, Caution	
7	7023008	1	DECAL, G.S.	
8	7023356	1	DECAL, Noise Control	
9	23010	1	DECAL, Spark Plug	<i>B&S part, No longer available.</i>
10	7024379	1	DECAL, Blank (Small)	
11	7024458	1	DECAL, 4 HP Robin	
12	7024204	1	DECAL, Snapper (3.38 Dia.)	
13	24279	1	DECAL, Snapper (2.50 Dia.)	<i>B&S part, No longer available.</i>
14	7024220	1	DECAL, Light Weight	
15	7026382	1	DECAL, Mulcher Convertible	

Footnotes:

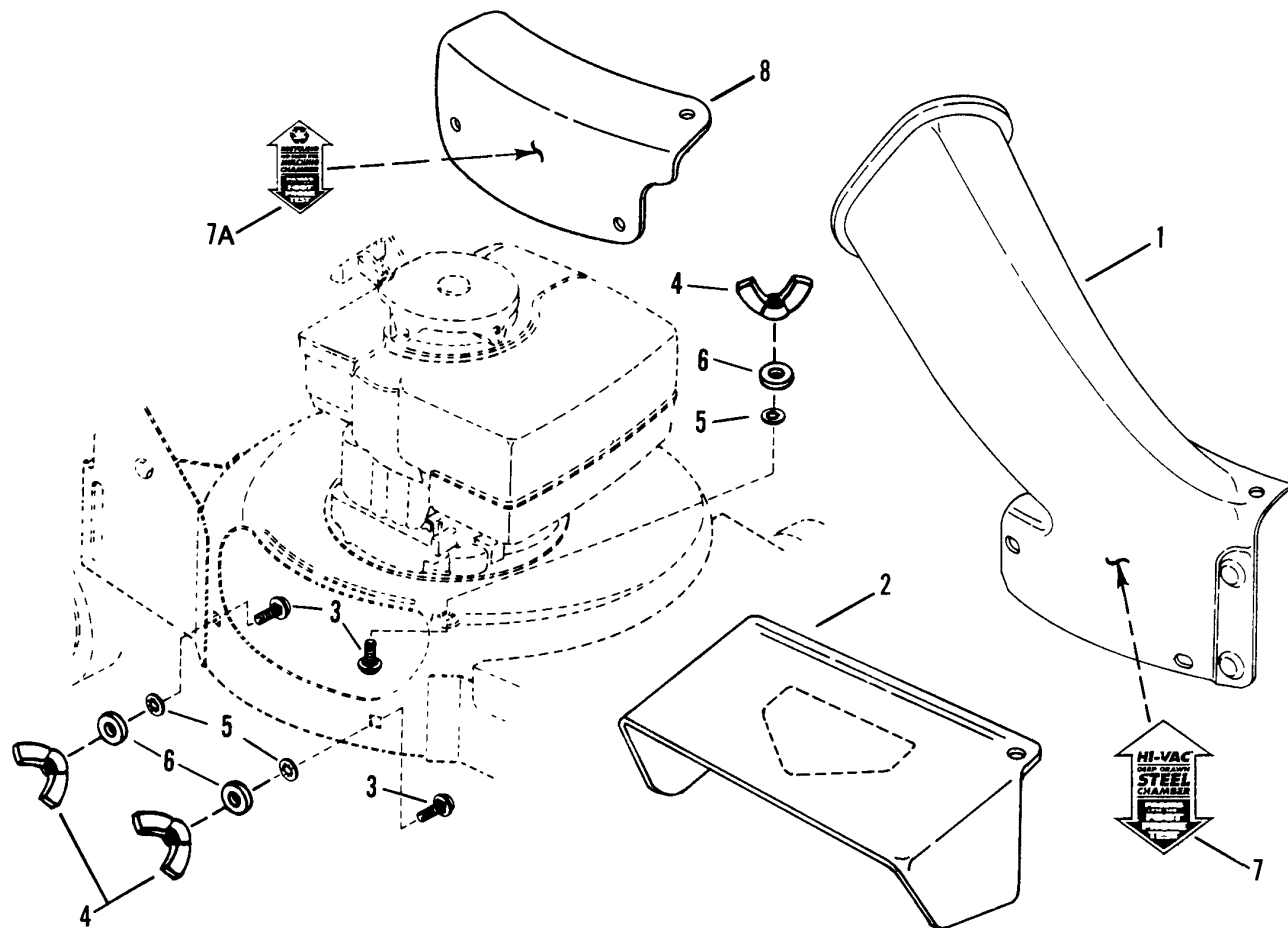


Accessory - Grass Bag

Item	Part No	Qty	Description	Note
	7061918		KIT, Grass Bag	<i>Was 60934 (Includes 1 thru 5)</i>
	7059322		KIT, Grass Bag	<i>Was 60932 (Includes 1 thru 4)</i>
1	7059322	1	ASSEMBLY, Grass Bag (Door Type)	<i>Was 53113</i>
2	7017069	1	BAG, KWIK-N-EZY	
3	7051906	1	ASSEMBLY, Bag Wire	
4	7042489	1	CONNECTOR, Grass Bag	<i>Was 47969</i>
5	7053681	1	ADAPTER, Bag	<i>Was 16088</i>
6	7024169	1	DECAL, Hi-Vac/Foot Probe (Red)	

Footnotes:

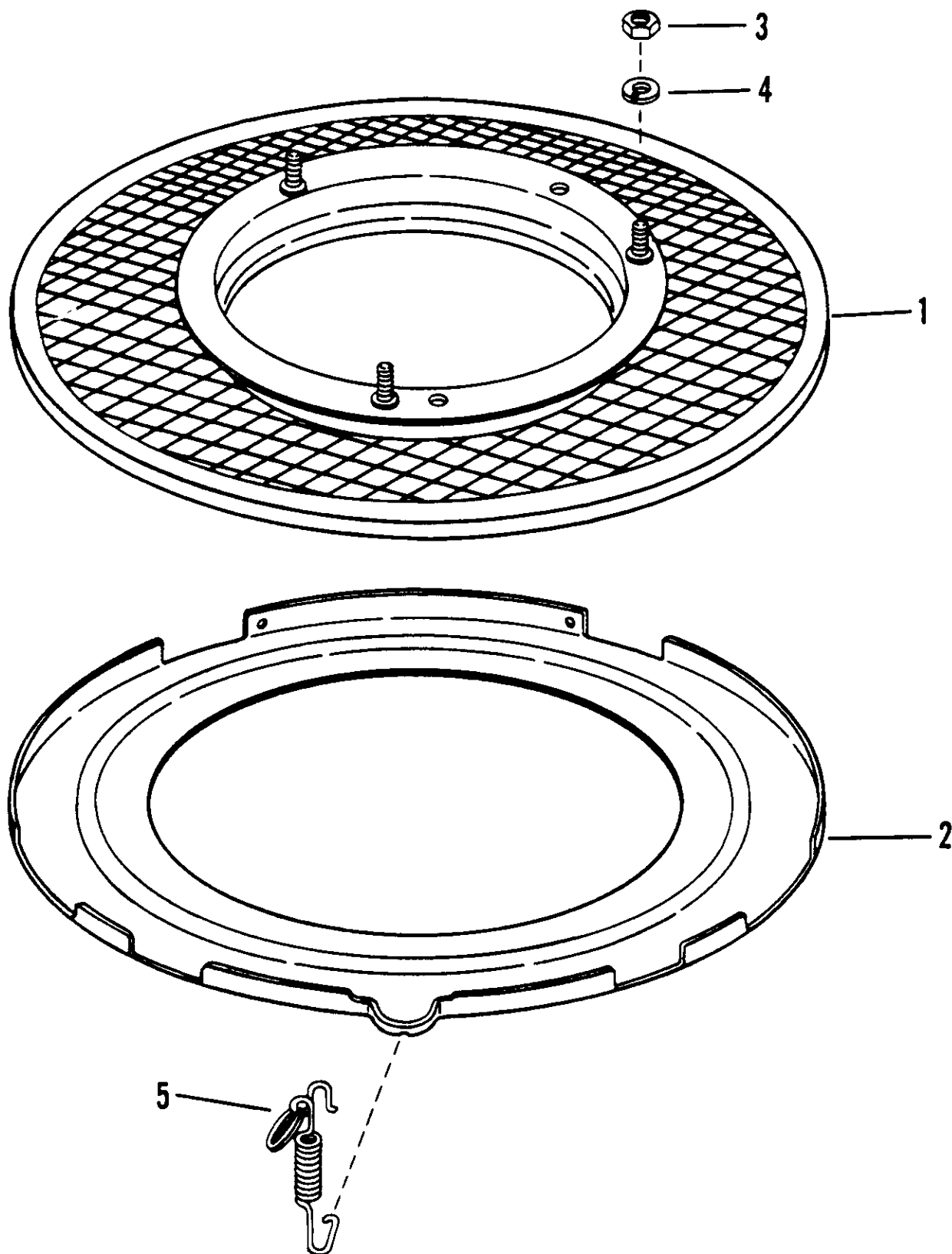
Accessory - Side Chute, Adapter



Accessory - Side Chute, Adapter

Item	Part No	Qty	Description	Note
1	7053681	1	ADAPTER, Bag	<i>Was 16088</i>
2	7035771	1	CHUTE, Side	<i>Was 51224 (Includes Decal P/N 1-3010)</i>
3	7090799	3	BOLT, 5/16-18 x 5/8" Short Neck Carriage	<i>Was 91026</i>
4	7024085	3	NUT, 5/16-18 Wing	
5	7011791	3	RETAINER, 5/16 Bolt	
6	7091076	3	WASHER, 5/16 Flat	
7	7024169	1	DECAL, Hi-Vac / Foot Probe (Red)	
7A	7024263	1	DECAL, Hi-Vac / Foot Probe (Green)	
8	7017169	1	COVER, Recycling	<i>(For Recycling Models)</i>

Footnotes:



Accessory - Snapperizer

Item	Part No	Qty	Description	Note
	7060450	1	KIT, Snapperizer	<i>(Includes Items 1 Thru 5)</i>
1	7051246	1	ASSEMBLY, Screen Fastener	
2	7039762	1	RING, Bottom	
3	7091297	3	NUT, 5/16-24 Hex	<i>Was 90223</i>
4	7090187	3	WASHER, 5/16 Split Lock	
5	7012587	3	SPRING	

Footnotes:

No
Diagram
Available

Parts List
Only

Accessory - Recycling Kits

Item	Part No	Qty	Description	Note
	7061029	1	KIT, Recycling Cover	<i>(Includes items 1 thru 4)</i>
1	7017167	1	BLADE, 19" Recycling	
2	7017169	1	COVER	
	7061033	1	KIT, Recycling Plug	<i>(Includes items 1 thru 4)</i>
1	7017167	1	BLADE, 19" Recycling	
2	7016814	1	PLUG, Chute Adapter	
3	7090167	1	SCREW, 3/8-24 x 2" Hex Head Cap (Gr. 5)	
4	7012063	2	WASHER, Cone	
	7024076	1	HARDWARE BAG	<i>Contains items 3 & 4</i>

Footnotes:

This kit is used on Side Discharge Models.

This kit is used on models with Grass Bags.

Parts Manual for

SNAPPER®

20" STEEL DECK LIGHT WEIGHT (Standard & OPP) WALK BEHIND MOWE SERIES 0

IT IS THE POLICY OF SNAPPER TO IMPROVE ITS PRODUCTS
WHENEVER IT IS POSSIBLE AND PRACTICAL TO DO SO. WE
RESERVE THE RIGHT TO MAKE CHANGES OR ADD IMPROVEMENTS
AT ANY TIME WITHOUT INCURRING ANY OBLIGATION TO MAKE
SUCH CHANGES ON PRODUCTS MANUFACTURED PREVIOUSLY.

SNAPPER® McDonough, GA, 30253 U.S.A.

Free Manuals Download Website

<http://myh66.com>

<http://usermanuals.us>

<http://www.somanuals.com>

<http://www.4manuals.cc>

<http://www.manual-lib.com>

<http://www.404manual.com>

<http://www.luxmanual.com>

<http://aubethermostatmanual.com>

Golf course search by state

<http://golfingnear.com>

Email search by domain

<http://emailbydomain.com>

Auto manuals search

<http://auto.somanuals.com>

TV manuals search

<http://tv.somanuals.com>