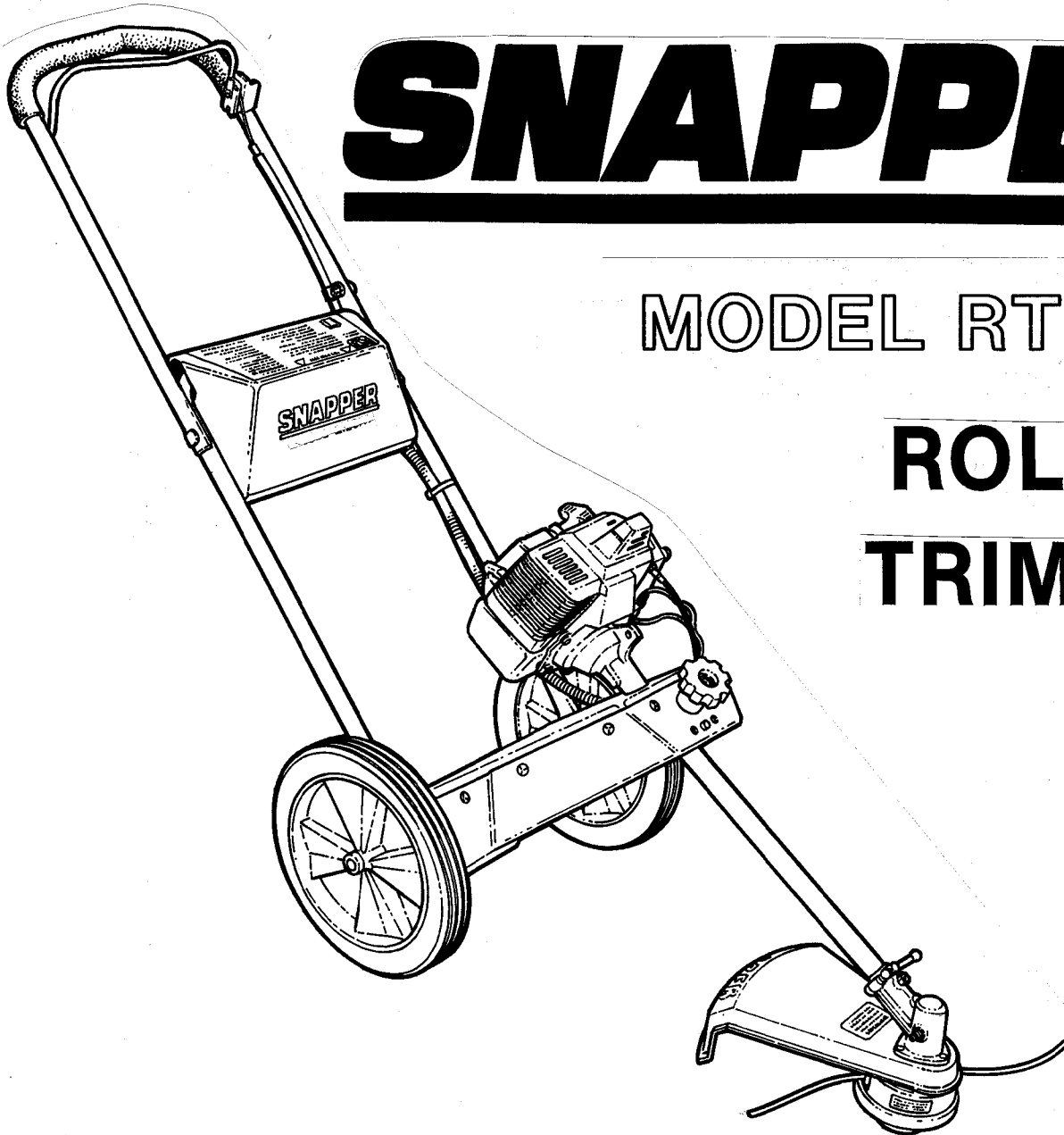


PARTS MANUAL for

# **SNAPPER**<sup>®</sup>

MODEL RT2151

**ROLLING  
TRIMMER**

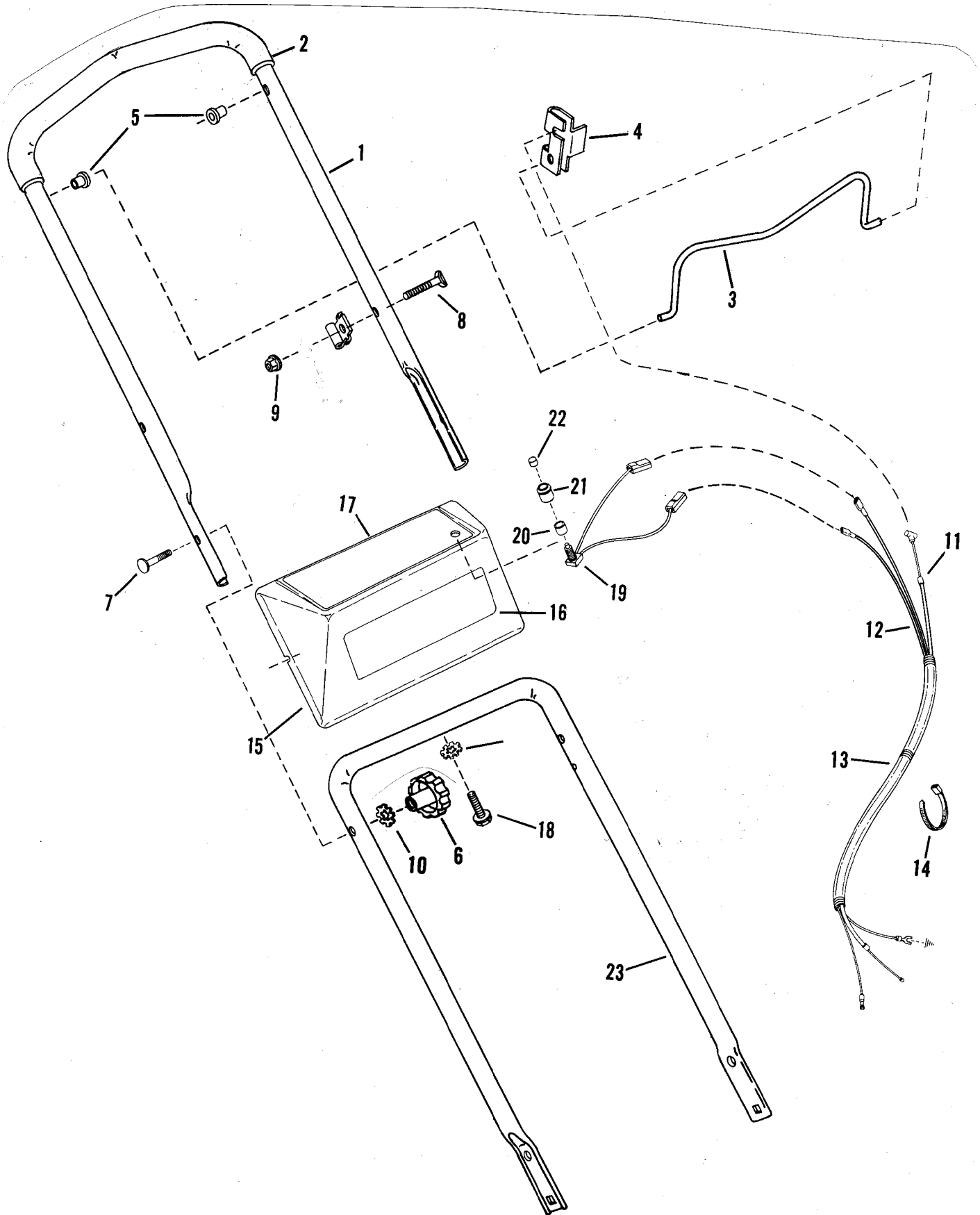


IT IS THE POLICY OF SNAPPER POWER EQUIPMENT TO IMPROVE ITS PRODUCTS WHENEVER IT IS POSSIBLE AND PRACTICAL TO DO SO. WE RESERVE THE RIGHT TO MAKE CHANGES OR ADD IMPROVEMENTS AT ANY TIME WITHOUT INCURRING ANY OBLIGATION TO MAKE SUCH CHANGES ON PRODUCTS MANUFACTURED PREVIOUSLY.

**SNAPPER POWER EQUIPMENT**  
McDonough, GA • 30253



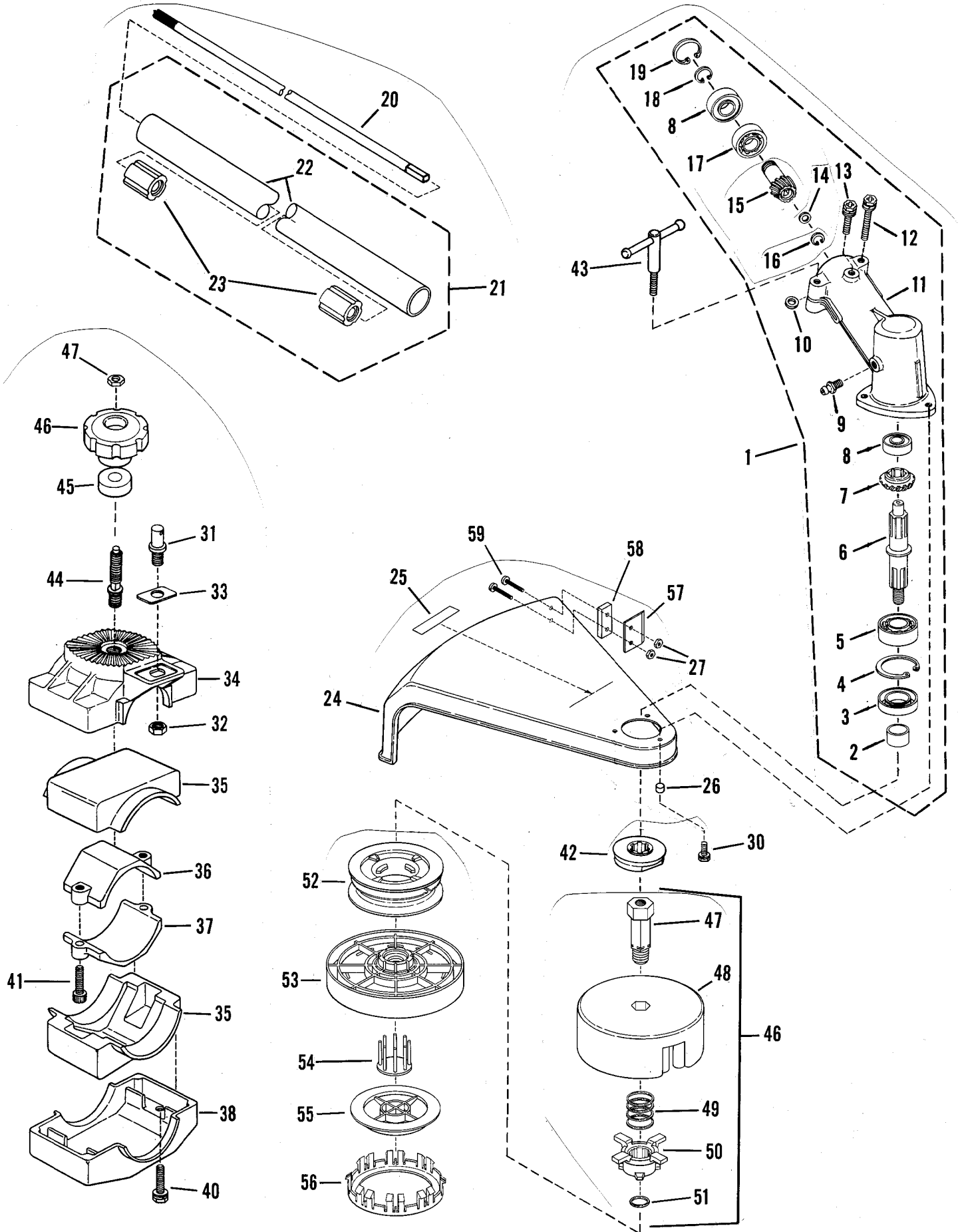
# MODEL RT2151



<b>ITEM</b>	<b>PART NO.</b>	<b>DESCRIPTION</b>
1	3-6330	HANDLE, Upper
2	2-3688	GRIP, Foam
3	1-7072	BAIL, Throttle
4	3-2829	CLIP, Throttle
5	1-4343	BUSHING, Bail
6	2-3735	KNOB, 5/16-18 Plastic (2)
7	9-1013	BOLT, 5/16-18x2" Curved Head (2)
8	1-6242	BOLT, 1/4-20x1-1/2" Curved Head
9	9-1065	NUT, 1/4-20 Hex Flange Lock
10	9-0189	WASHER, 5/16 Int./Ext. Tooth Lock (3)
11	<del>2-3526</del>	ASSEMBLY, Throttle Cable (was 1-6374*)
12	2-3573	HARNESS, Wire
13	2-3762	SHEATH, Harness
14	2-3779	TIE, Cable (2)
15	5-1788	ASSEMBLY, Panel/Label (Includes items 16 & 17)
16	2-3568	LABEL, Model
17	2-3569	LABEL, Instruction
18	9-0361	SCREW, 5/16-18x5/8" Self-Tapping
19	2-3877	SWITCH
20	2-3878	SPACER, Switch
21	2-3879	BEZEL, Switch
22	1-5620	CAP, Switch
23	3-6329	HANDLE, Lower

\*No longer available

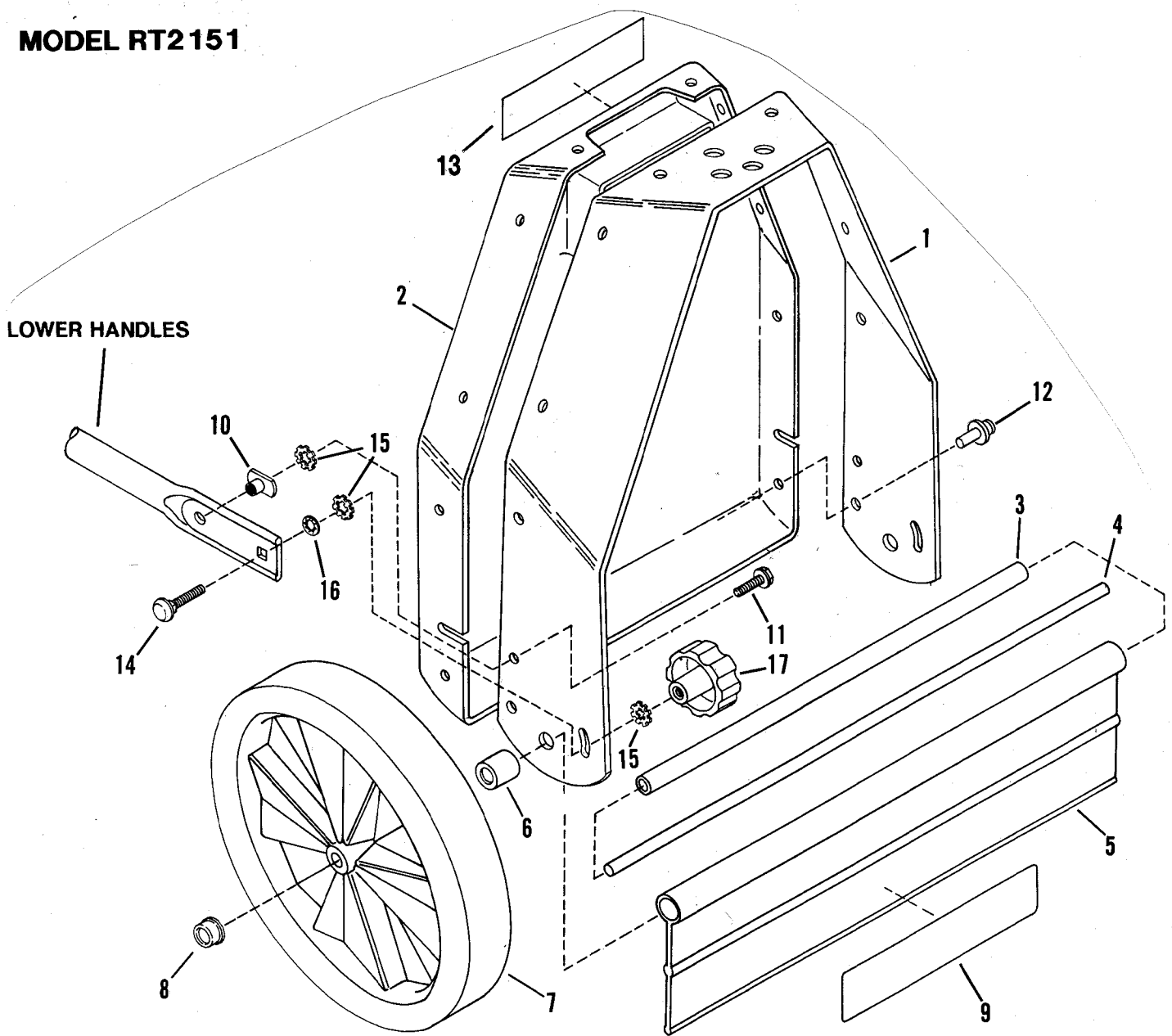
# MODEL RT2151



ITEM	PART NO.	DESCRIPTION
1	4-3005	ASSEMBLY, Gear Head (Includes items 21 thru 19)
2	4-3023	SLEEVE, Spline
3	4-3912	SEAL, Oil
4	4-3917	RING, Snap 35mm
5	4-3913	BEARING
6	4-3020	SHAFT, Spline
7	4-3022	GEAR, Bevel
8	4-3914	BEARING (2)
9	4-3937	FITTING, Lube
10	4-3032	SHIM (2)
11	4-3019	CASE, Gear
12	4-3028	BOLT, M5x25mm Hex Head (2)
13	4-3029	BOLT, M5x12mm Hex Head
14	4-3031	WASHER, Flat
15	4-3021	PINION, Bevel
16	4-3030	RING, Snap 10mm
17	4-3025	BEARING
18	4-3027	RING, Snap 10mm
19	4-3026	RING, Snap 26mm
20	1-6323	SHAFT, 1/4 Drive
21	5-1787	ASSEMBLY, Tube & Bushing (Includes items 22 & 23)
22	3-2754	TUBE, Main
23	1-5517	BUSHING (2)
24	5-1816	ASSEMBLY, Plastic Shield (Includes item 25)
25	2-3462	LABEL, Shield
26	1-5240	SPACER, 5M (3)
27	9-0885	LOCKNUT, #10-32 (2)
28	1-6267	KNOB, Torque
29	1-6278	NUT, Self-Threader
30	4-3014	SCREW, M5x16mm Hex (3)
31	1-6317	PIN, Guide
32	9-0962	NUT, 3/8-24 Hex Flange Lock
33	3-2825	PLATE, Mounting Pin
34	1-6313	SPACER, Knob
35	4-3132	RUBBER, Vibro (2)
36	4-3136	CLAMP "A", Tube
37	4-3137	CLAMP "B", Tube
38	4-3946	JOINT "C", Handle
39	4-3947	JOINT "D", Handle
40	4-3951	SCREW, M6x30mm, Cross Hex Head (2)
41	4-3952	SCREW, M5x20mm, Socket Hex Head (2)
42	1-5683	SPACER, Blade
43	2-3581	T-BOLT, M5
44	1-6261	BOLT, Latch
45	1-6313	SPACER, Knob
-	6-8166	ASSM'Y., Tap Head, Left Hand (Includes items 46 thru 56)
46	1-5910	ASSM'Y, Housing (Includes items 47 thru 51)
47	1-5904	ARBOR
48	1-5906	HOUSING
49	1-5907	SPRING
50	1-5908	INDEXER (Includes item 51)
51	1-5909	RETAINER, Wire
52	1-5912	SPOOL
53	1-5913	BASE
54	1-5915	ACTUATOR
55	1-6526	KNOB
56	1-5917	RETAINER, Knob
57	5-1713	ASSM'Y, Line Cutter
58	1-5644	BLOCK, Line Cutter Mounting
59	9-0901	SCREW, #10-32x7/8" (2)

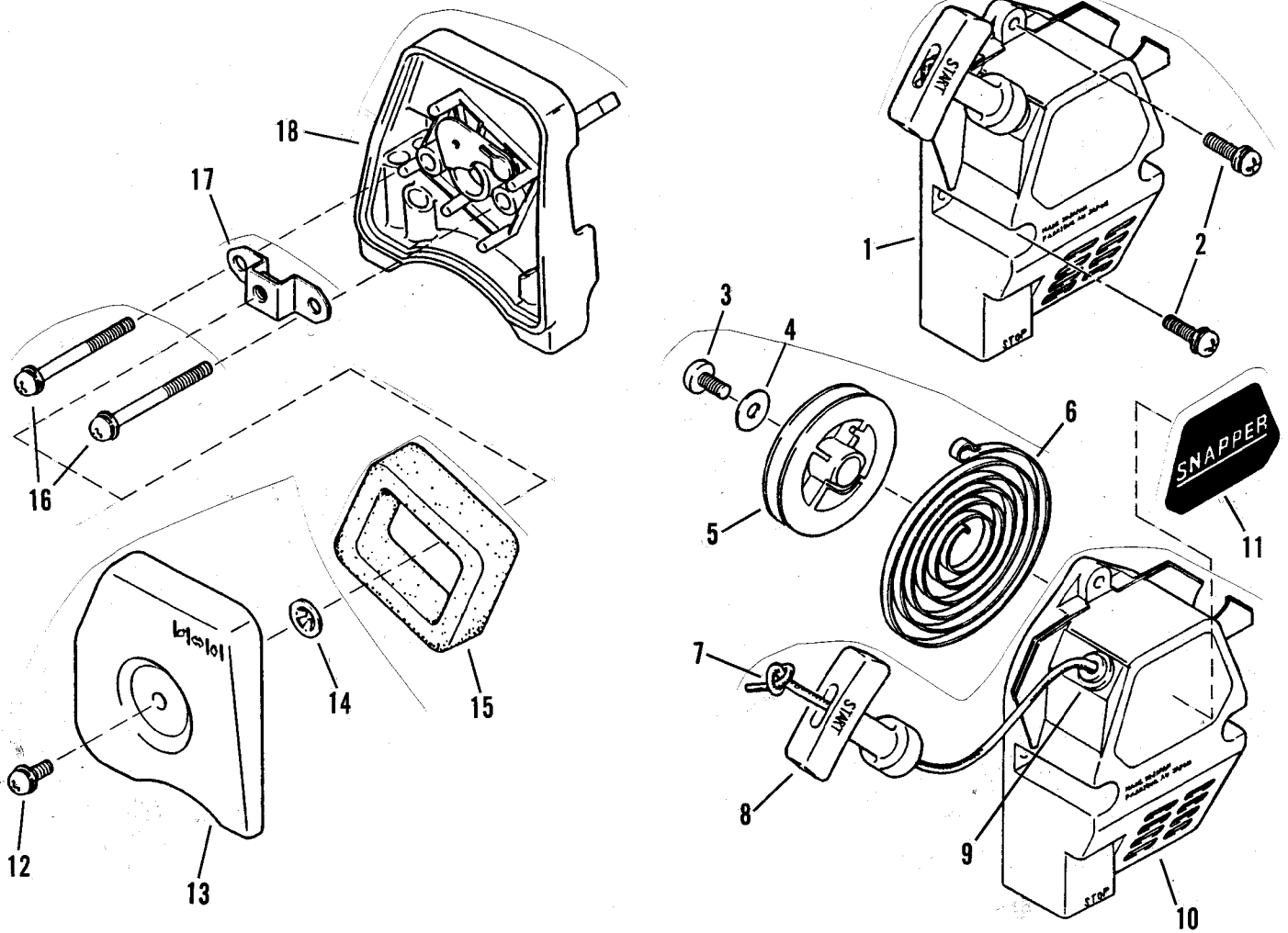
# MODEL RT2151

LOWER HANDLES



ITEM	PART NO.	DESCRIPTION
1	3-3125	FRAME, Main
2	1-7103	PANEL, Main Frame
3	1-6294	SPACER, Tube Frame
4	3-8541	SHAFT, Axle
5	1-9116	SHIELD, Trailing
6	2-3508	BUSHING, Axle (2)
7	1-7065	WHEELS (2)
8	1-3024	NUT, 3/8 Push (2)
9	1-9279	LABEL, Trailing Shield
10	9-0388	T-NUT, 5/16-18 (2)
11	9-0721	BOLT, 5/16-18x1/2" Hex Flange Lock
12	1-7102	RIVET, Plastic (10)
13	1-6237	LABEL, Adjustment
14	9-0192	BOLT, 5/16-18x1-1/2" Short Neck Carriage (2)
15	9-0189	WASHER, 5/16 Int./Ext. Tooth Lock (4)
16	1-1791	RETAINER, 5/16 Bolt (2)
17	2-3735	KNOB, 5/16-18 Plastic (2)

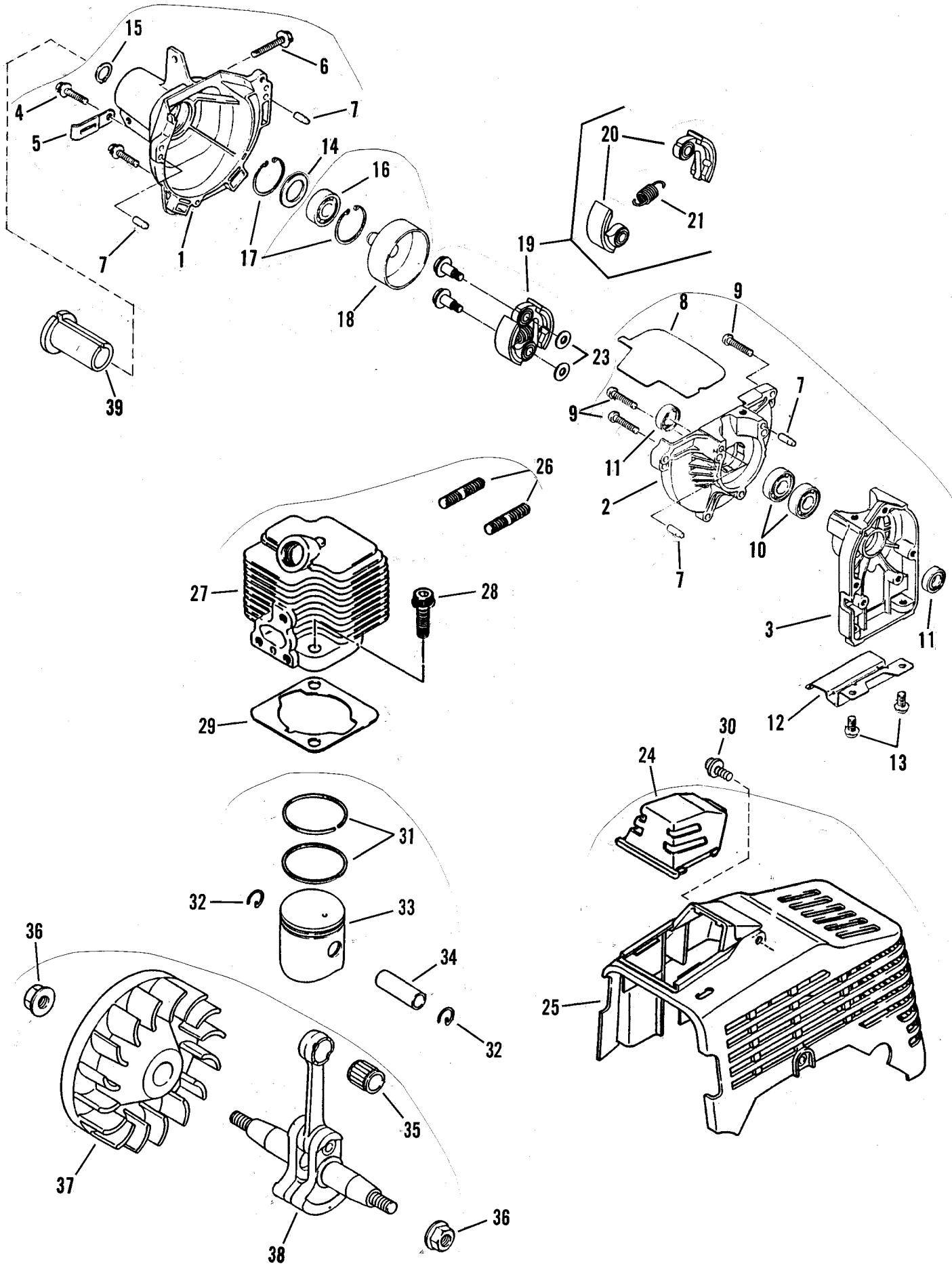
# ENGINE PARTS



ITEM	PART NO.	DESCRIPTION
1	4-4477	ASSEMBLY, Recoil Starter (Includes items 3 thru 11)
2	4-4478	SCREW/WASHER (3)
3	4-4373	SCREW
4	4-4479	WASHER
5	4-4375	REEL
6	4-4376	SPRING
7	4-4377	ROPE, Starter
8	4-4115	KNOB, Starter
9	4-4480	GUIDE
10	4-4481	CASE, Starter
11	4-4294	LABEL, Snapper
12	4-4465	SCREW/WASHER
13	4-4466	COVER, Cleaner
14	4-4467	NUT
15	4-4468	ELEMENT, Cleaner
16	4-4469	SCREW/WASHER (2)
17	4-4470	BRACKET
18	4-4471	CASE, Cleaner (Choke is part of this assembly)

**NOTE: #44270 ENGINE, COMPLETE**

# ENGINE PARTS

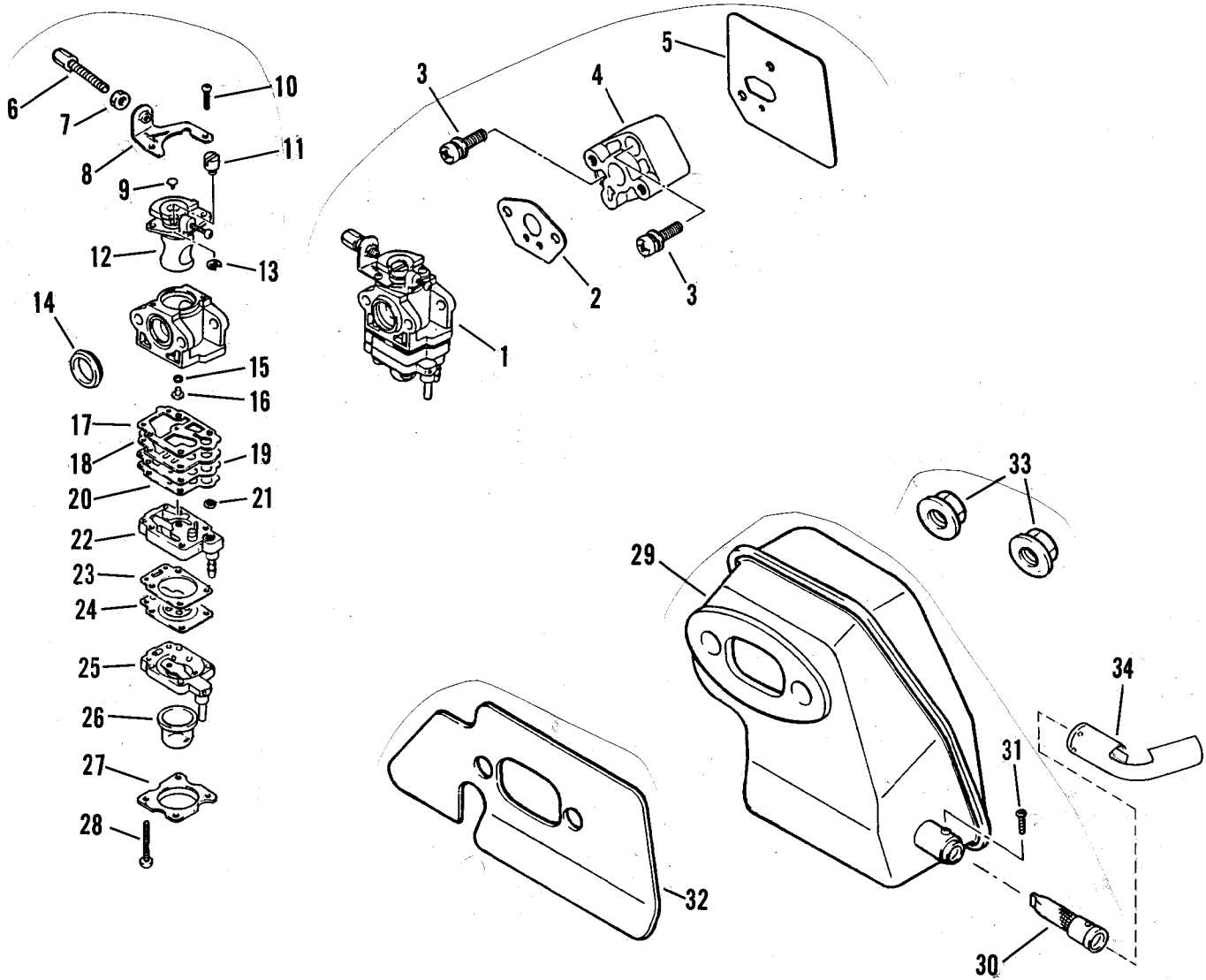




ITEM	PART NO.	DESCRIPTION
1	4-4268	CASE, Clutch
2	4-4385	CASE, Drive
3	4-4310	CASE, Starter
4	4-4434	BOLT/WASHER (3)
5	4-4295	CLAMP
6	4-4296	BOLT/WASHER
7	4-4307	PIN, Dowel (4)
8	4-4297	GASKET, Muffler/Tank
9	4-4308	SCREW, Cross Pan Head (3)
10	4-4309	BEARING, Ball (2)
11	4-4013	SEAL, Oil (2)
12	4-4298	STAND
13	4-4299	SCREW/WASHER (2)
14	4-4419	WASHER
15	4-4420	RING, Snap
16	4-4422	BEARING, Ball
17	4-4422	RING, Snap (2)
18	4-4423	DRUM, Clutch
19	4-4369	ASSEMBLY, Clutch (Includes items 20 & 21)
20	4-4366	FLYWHEEL (2)
21	4-4367	SPRING
22	4-4368	BOLT, Clutch (2)
23	4-4370	WASHER (2)
24	4-4424	GUARD, Spark Plug
25	4-4425	COVER, Top
26	4-4426	BOLT, Stud (2)
27	4-4427	CYLINDER
28	4-4316	BOLT, Flange (2)
29	4-4317	GASKET, Cylinder
30	4-4428	SCREW/WASHER
31	4-4404	RING, Top (2)
32	4-4319	CLIP, Piston Pin (2)
33	4-4405	ASSEMBLY, Piston (Includes item 34)
34	4-4406	PIN, Piston
35	4-4322	BEARING, Needle
36	4-4359	NUT, Conical Spring (2)
37	4-4429	FAN
38	4-4324	ASSEMBLY, Crank Shaft
39	2-2092	ISO-Mount

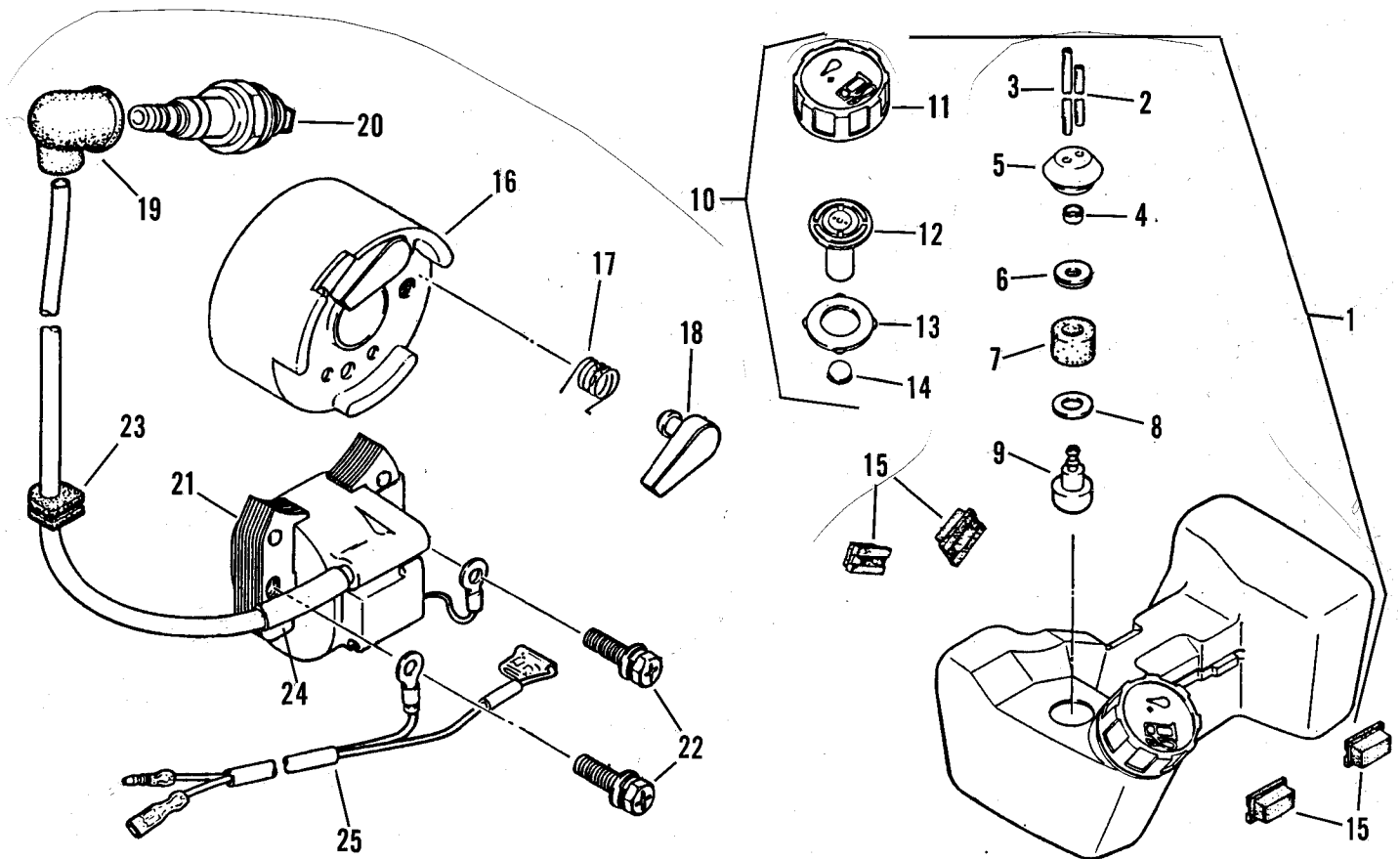
**NOTE: #44270 ENGINE, COMPLETE**

# ENGINE PARTS



ITEM	PART NO.	DESCRIPTION
1	4-4438	ASSEMBLY, Carburetor (Includes items 2 thru 28)
2	4-4439	GASKET, Carburetor
3	4-4328	SCREW/WASHER (2)
4	4-4440	INSULATOR
5	4-4441	GASKET, Insulator
6	4-4442	SCREW
7	4-4443	NUT
8	4-4444	BRACKET
9	4-4445	PLUG
10	4-4446	SCREW (2)
11	4-4447	HOLDER, Wire
12	4-4448	VALVE, Throttle
13	4-4449	CLIP
14	4-4450	PACKING
15	4-4451	O-RING
16	4-4452	JET, Main
17	4-4453	GASKET

ITEM	PART NO.	DESCRIPTION
18	4-4454	DIAPHRAGM
19	4-4455	PLATE
20	4-4456	GASKET
21	4-4457	SCREEN
22	4-4458	BODY, Pump (Includes item 21)
23	4-4459	GASKET
24	4-4460	DIAPHRAGM
25	4-4461	BODY
26	4-4462	ASSEMBLY, Primer Pump
27	4-4463	COVER
28	4-4464	SCREW
29	4-4473	MUFFLER (Includes 30 & 31)
30	4-4474	SPARK ARRESTER
31	4-4475	SCREW
32	4-4472	GASKET, Muffler
33	4-4476	NUT, Flange (2)
34	4-4496	EXHAUST, Elbow



ITEM	PART NO.	DESCRIPTION
1	4-4495	ASSEMBLY, Fuel Tank (Includes items 2 thru 14)
2	4-4482	TUBE, Fuel
3	4-4483	HOSE, Fuel
4	4-4484	BUSHING
5	4-4490	PLUG
6	4-4491	WASHER, Seal
7	4-4492	FILTER, Fuel
8	4-4493	SEAL, Dust
9	4-4494	WEIGHT, Filter
10	4-4485	ASSEMBLY, Tank Cap (Includes items 11 thru 14)
11	4-4486	CAP, Fuel Tank
12	4-4487	VALVE, Breather
13	4-4488	PACKING
14	4-4489	CAP
15	4-4386	PAD (4)
16	4-4386	ROTOR (Includes items 17 & 18)
17	4-4431	SPRING, Return
18	4-4432	RATCHET
19	4-4430	CAP, Plug
20	-	PLUG, Spark (Champion CJ8)
21	4-4433	COIL, Ignition
22	4-4434	BOLT/WASHER (2)
23	4-4435	GROMMET
24	4-4436	TUBE
25	4-4437	ASSEMBLY, Wire Lead

**PARTS MANUAL for**

***SNAPPER***<sup>®</sup>

**MODEL RT2151**

**ROLLING**

**TRIMMER**

**SNAPPER POWER EQUIPMENT**

McDonough, GA • 30253



**MANUAL #06254**

**(I.R. 11/90)**

**Printed in U.S.A.**

## Free Manuals Download Website

<http://myh66.com>

<http://usermanuals.us>

<http://www.somanuals.com>

<http://www.4manuals.cc>

<http://www.manual-lib.com>

<http://www.404manual.com>

<http://www.luxmanual.com>

<http://aubethermostatmanual.com>

Golf course search by state

<http://golfingnear.com>

Email search by domain

<http://emailbydomain.com>

Auto manuals search

<http://auto.somanuals.com>

TV manuals search

<http://tv.somanuals.com>