

# Owner's Manual

for

**Sunlawn™**



## Rechargeable Lawn Trimmer

(Model BTE-1)

# Contents

Before using the new trimmer .....	1
Warranty .....	1
Use of this product.....	1
Parts of the trimmer.....	2
Assembly.....	3
Operation .....	4
How to operate .....	4
Charging the battery .....	4
Switching on.....	5
Working position .....	5
Trimming edges .....	5
Feeding more trimming cord .....	6
Maintenance / care / storage .....	7
Replacing cord cartridge .....	7
Trimmer cord breakage .....	10
Correct use .....	11
Safety considerations .....	11
Interruption of work.....	12
Observe environmental factors .....	12
Electrical safety .....	12
Troubleshooting.....	13
Technical data .....	13
Company liability .....	14

Sunlawn, Inc.  
325 Garfield Street  
Fort Collins, CO 80524  
Tel: 970-493-5284  
FAX: 970-493-5202

For service inquiries, parts replacement,  
and maintenance tips, see

[www.sunlawn.com](http://www.sunlawn.com)

© 2006 by Sunlawn, Inc

## BEFORE USING THE NEW RECHARGEABLE LAWN TRIMMER

Please read this guide and use these operating instructions to become familiar with the trimmer and its features. The charging of batteries, operation of the trimmer, and notes on safety and maintenance procedures are all important for the use and enjoyment of this product.

## WARRANTY

Sunlawn, Inc. (the Manufacturer) guarantees this product for private use for a period of one year from the date of purchase. This guarantee applies to all serious defects of the product which can be proven to have been caused by faulty materials or workmanship. The Manufacturer has the option of supplying a replacement of the product in perfect working order or repairing the product free of charge at an authorized facility, provided that the following conditions are fulfilled:

- The appliance has been handled correctly and in accordance with the instructions in the Owner's Manual.
- Neither the buyer nor a third party has attempted to repair the product.

This guarantee is void if replacement parts or accessories are used other than those approved by the Manufacturer.

The product, accompanied by a copy of the original receipt, must be delivered, prepaid, to a service center authorized by the Manufacturer.

This Manufacturer's guarantee shall not affect any guarantee claims against the dealer or seller of the product.

## USE OF THIS PRODUCT



### WARNING

**For safety reasons persons of less than 16 years of age or persons not familiar with these operating instructions must not use this trimmer.**

This trimmer is designed for trimming residential lawns only. It is not designed for clearing areas of tall weeds, commercial use, or for use in public facilities, parks, sporting grounds, roads, or in agriculture or forestry areas.

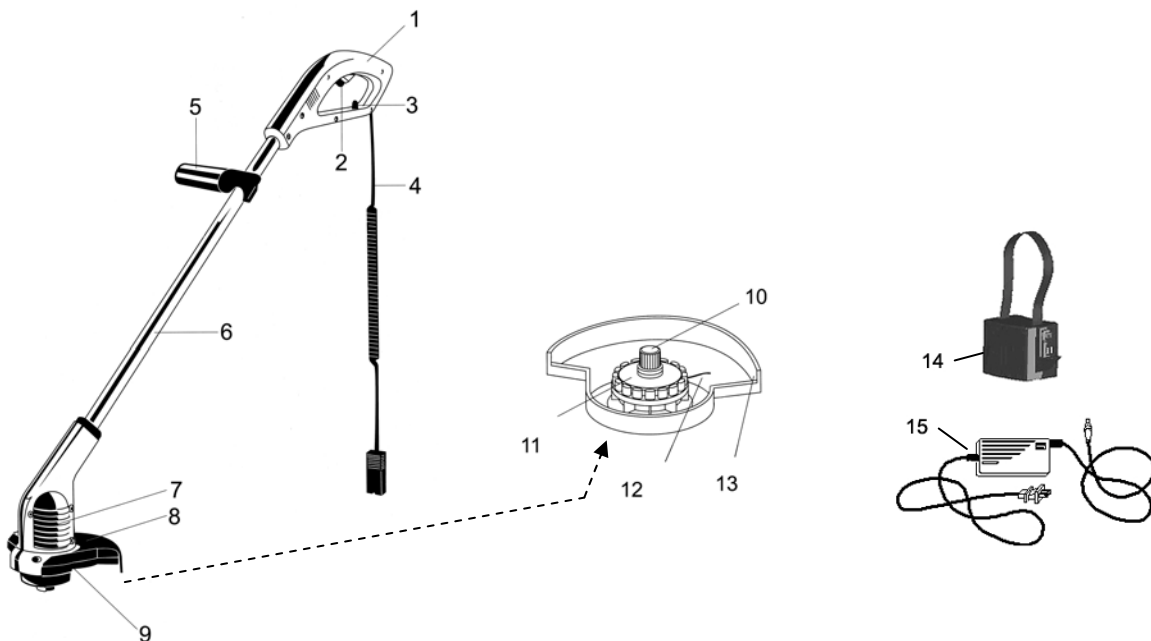
## PARTS OF THE TRIMMER

### PARTS

1. Grip handle
2. Trigger switch
3. Cord storage tab
4. Power connector cord
5. Front stabilizing handle
6. Shaft
7. Motor casing
8. Protective shield
9. Trimmer head

Trimmer head detail (10, 11, 12, 13)

10. Automatic cord feed tap button
11. Cord cartridge
12. Trimmer cord
13. Cord trimming blade
14. Battery pack, strap, belt clip
15. Battery charger
16. Owner's manual (not shown)



## ASSEMBLY

Please follow all instructions in this owner's manual for proper use of this appliance.

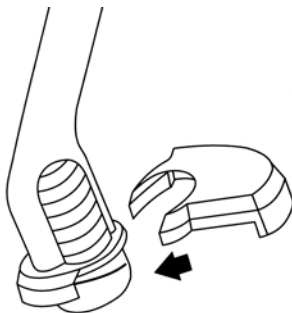


### CAUTION

To avoid physical injury, do not use the trimmer for cutting hedges or for chopping garden waste material for composting purposes.

### ASSEMBLY OF THE SUNLAWN BTE-1 LAWN TRIMMER

Before starting the trimmer, install the protective shield (8).



**Note:** A guide rail and a hook are on the lower part of the motor casing (7), left and right. The protective shield should be pushed forward from the rear onto the guide rail until the hooks engage.



### CAUTION

When installing the protective shield, pay careful attention to the cord trimming blade.

Be sure the protective shield is correctly and securely installed to prevent injury.

## OPERATION

### HOW TO OPERATE THE TRIMMER

Lawn trimmers are used for trimming dry lawns, especially lawn edges and areas inaccessible to lawn mowers. The trimmer head is located on the underside of the trimmer. The cord on the trimmer head rotates at several thousand revolutions per minute to trim grass blades.



#### CAUTION

**Do not connect the trimmer to the battery pack until the shield is completely assembled and secure.**

**Do not remove the protective shield after assembly.**

### CHARGING THE TRIMMER BATTERY

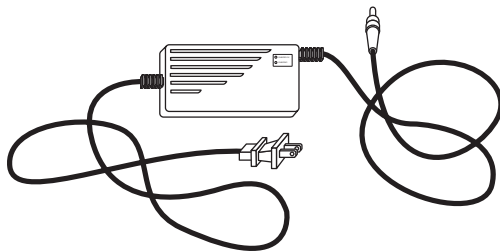
The trimmer does not arrive fully charged. The battery must be charged before using the trimmer.



#### CAUTION

**Use only the charger provided with this trimmer**

Plug the charger into a 110V power outlet and then into the trimmer battery.

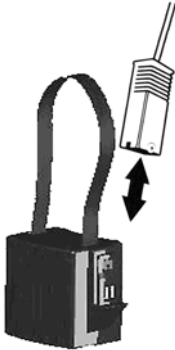


**Recharging time for the battery is approximately 5-8 hours.** The charger light, which glows red when the battery is not fully charged, will glow green when charging is complete.

**Note:** The sealed lead acid battery of the battery pack does not need to be fully discharged. The battery will not develop a "memory."

## SWITCHING ON THE LAWN TRIMMER

Insert the power connector cord into the receptacle on the battery pack.



The trimmer is switched on by holding down the trigger switch (2) on the grip handle (1). When the trigger switch is released, the lawn trimmer switches off automatically.



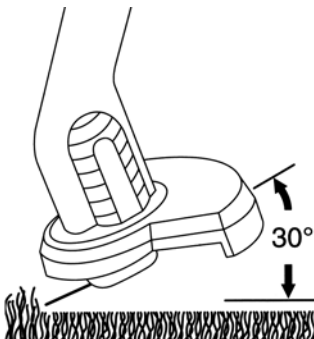
### CAUTION

The safety features installed on the trimmer by the manufacturer must not be removed or overridden (such as taping over the trigger switch on the grip handle) as this may cause injury and the appliance will not switch off automatically.

**Remember:** The trimmer cord continues to rotate after the appliance is switched off.

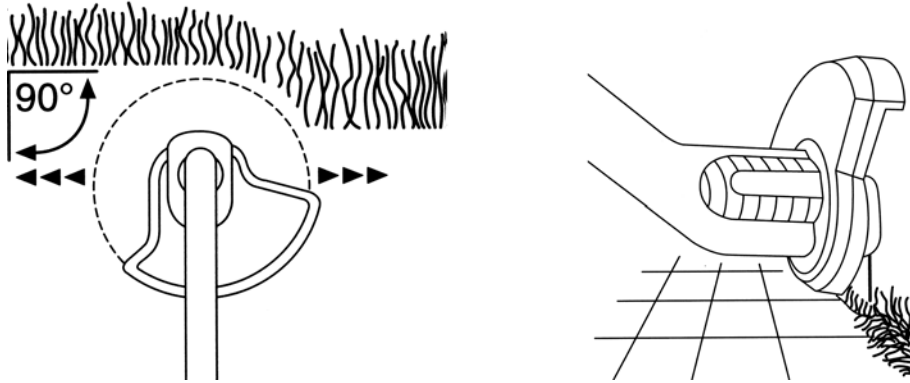
## WORKING POSTURE

To operate, stand on firm and secure ground. Hold the trimmer with one hand on the grip handle (1) with the other hand grasping the stabilizing handle (5). Hold the trimmer at an angle of 30° to the ground. This angle will be automatically obtained by holding the stabilizing handle.



## TRIMMING LAWN EDGES AND AREAS DIFFICULT TO ACCESS

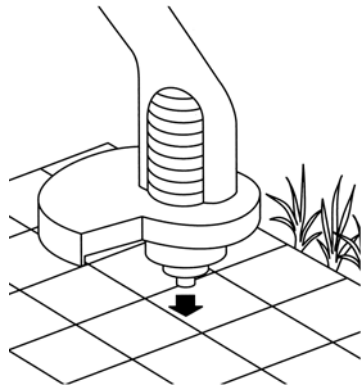
Let the lawn trimmer oscillate gently from side to side. For a vertical trim, turn the trimmer sideways through an angle of  $180^\circ$  by turning the grip handle so that the protective shield points upward.



## FEEDING MORE TRIMMING CORD

Only the maximum cord length produces a clean trim. The cord wears away and shortens with use. When the trimming performance appreciably decreases, feed more cord from the cartridge as follows:

**Automatic cord feed:** With the motor running, tap the trimmer head of the lawn trimmer lightly on the ground. This will automatically feed out more cord.



If the cord is too long, it will be shortened to the correct length by the cord trimming blade.



## MAINTENANCE / CARE / STORAGE

- The Sunlawn BTE-1 Lawn Trimmer is largely maintenance-free, but should be cleaned after every use.
- Do not operate without the protective shield and always check to be sure the air apertures do not become clogged. Remove any grass or dirt with a dry cloth or brush.
- Repairs should only be carried out by authorized Sunlawn dealers.



### CAUTION

**The battery pack must be removed from the unit when the appliance is stored and when any maintenance work or servicing is to be done.**

**To avoid the risk of damage to persons or property, the trimmer should never be cleaned under running water, especially not at high pressure**

Store the lawn trimmer in a dry, frost-proof place. We recommend that you hang up the trimmer to avoid damage to the cutting head on the ground. Please do not store the trimmer where children have access.

## REPLACING THE CORD CARTRIDGE

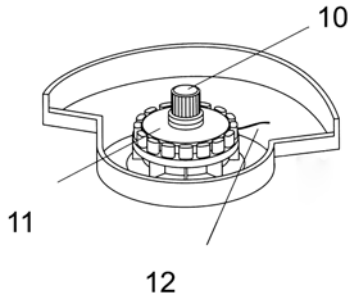
Never use metallic cutting elements, spare parts, or accessories which are not approved by the manufacturer. Only use the replacement cord cartridge recommended by the manufacturer, which is available from Sunlawn dealers.

When all the trimming cord is gone, the cord cartridge (11) should be replaced as follows:

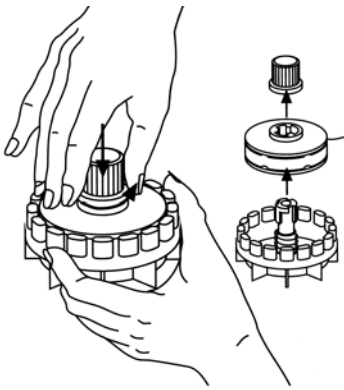
1. Unplug the power connector cord from the battery pack.



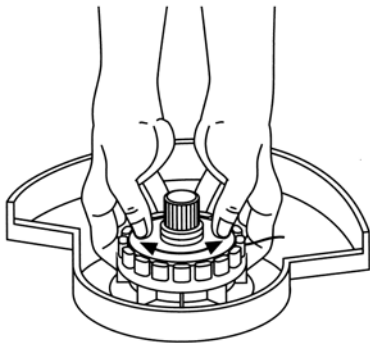
2. Look on the underside of the trimmer cutting head for the tap button (10), cord cartridge (11), and the trimmer cord (12).



Hold the cutting head with one hand and press the tap button down with the other hand. At the same time, turn the tap button in a counterclockwise direction. Remove the tap button.



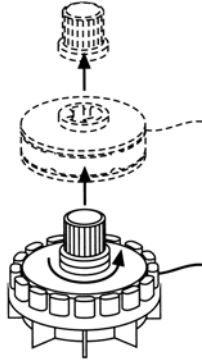
**Note:** If the tap button cannot be pressed down, turn the cord cartridge to the right or left until it stops. Then proceed as described above.



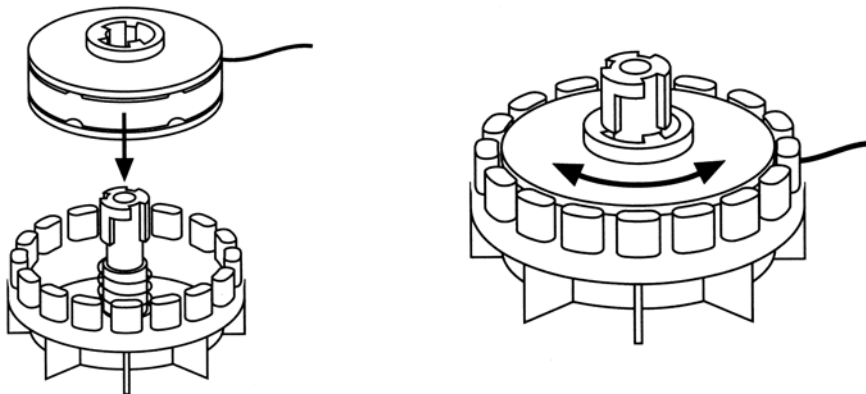
3. Remove the empty cord cartridge.

**Note:** If the cord cartridge does not loosen, turn it in a counterclockwise direction. (See figure immediately above.)

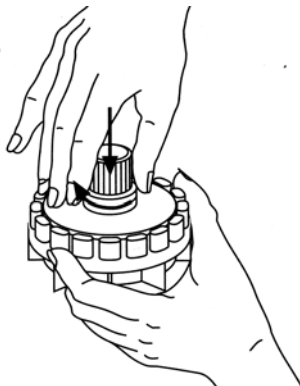
4. Insert the new cord cartridge with the cutting cord going out through guide grooves.



5. Press the cord cartridge down against the spring and fix it in this position by a short turn to the left or right.



6. Replace the tap button and press it gently down against the spring. Turn the tap button in a counterclockwise direction until it latches tightly.





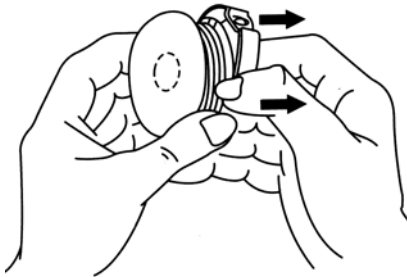
**CAUTION**

Hold the lawn trimmer in the normal working position before switching it on again.

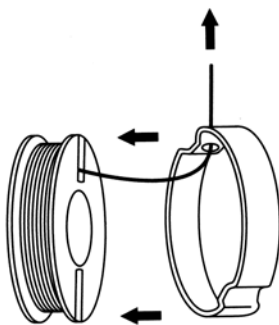
**TRIMMER CORD BREAKAGE**

If the cord breaks off at the spool it will not feed through automatically. If this happens, do the following:

1. Detach the power connector cord from the battery pack.
2. Remove the card cartridge as described on pages 7-9.
3. Pull the transparent plastic ring over the trimmer cord spool.



4. The reel of trimmer cord is now open. Reel off approximately 10 cm (4 inches) of trimmer cord and clamp it in the notch on the spool.
5. Thread the trimmer cord through the eye of the transparent plastic ring and then replace the ring on the spool.



6. Replace the trimmer cord cartridge as described on pages 7-9.

Before switching the machine on again, hold the trimmer in the usual working position and at the normal body posture as described previously.

## CORRECT USE



### CAUTION

**This 12 volt unit must only be operated with the Sunlawn BTE-1 battery pack.**

## CHECK BEFORE EACH USE

- Examine the trimmer visually each time before using it. Do not operate the trimmer if the trigger switch, safety casing, or the trimmer cord spool is damaged or worn. Never deactivate any of the safety features.
- Check the area to be trimmed before beginning to work. Remove any foreign bodies from the area such as stones or other obstructions. Watch out for any foreign bodies while using the trimmer.
- If you encounter an obstacle while using the trimmer, switch it off, remove the obstacle, check the trimmer for any damage, and if necessary, have it repaired.

## SAFETY CONSIDERATIONS

- The trimmer can cause serious injuries. Use the trimmer only for the purpose described in this manual. You are liable for safety in the working area.
- Ensure that no other person (especially children) or animals are in the vicinity of the working area.
- Never operate the lawn trimmer with damaged or faulty protective equipment.

- After use, detach the power connector cord from the battery pack. Check the trimmer regularly — especially the cord spool — for damage.
- If necessary have the appliance repaired by a Sunlawn dealer.
- Wear eye shields or safety goggles at all times when the appliance is on.
- Use stout footwear and long trousers to protect your legs.
- Keep fingers and feet away from the trimmer cord — especially when starting up.
- When operating the trimmer, be sure you have a balanced stance on secure and firm ground.
- Be careful when moving backwards to avoid stumbling.
- Only operate the trimmer when you can see the area adequately.

### **INTERRUPTION OF WORK**

- Never leave the lawn trimmer unattended. If you stop, place the trimmer in a safe place and detach the power connector cord from the battery pack.
- If you stop to move to another work area, it is essential to switch off the trimmer, wait for the trimmer head cutter to cease rotating and then detach the power connector cord from the battery pack.
- When working, never touch the trimming device or the underside of the trimmer.

### **OBSERVE ENVIRONMENTAL FACTORS**

- Familiarize yourself with the immediate vicinity and watch out for possible hazards that might be missed by the noise of the trimmer.
- Never operate the lawn trimmer during rainfall or if the ground is damp or wet.
- Never operate the trimmer in the immediate vicinity of swimming pools or garden ponds.

### **ELECTRICAL SAFETY**

- The power connector cord must be checked regularly for signs of wear and tear, damage, or ageing.
- The trimmer must not be operated with a damaged power cord. If the power cord is damaged or cut, immediately detach the power connector cord from the battery pack.

**TROUBLESHOOTING**

DEFECT /FAULT	POSSIBLE CAUSE	ACTION TO RECTIFY
The trimmer cord feed fails to function	The trimmer cord of the spool is used up	Read the section "Replacing the trimmer cord cartridge" (pages 7-9)
The trimmer cord feed fails to function, although sufficient trimmer cord is on the spool.	The trimmer cord has become entangled on the spool.	First read the section "Trimmer cord breakage" (page 10). Proceed exactly as described in that section. Loosen the entanglement and again reel on the trimmer cord.

**TECHNICAL DATA**

Battery	12V / 3.4 Ah
Charging time	approx. 5 - 8 hours
Constant run time with full charge	30 minutes
Trimmer cord gauge	1.4 mm (0.055 inch)
Spool	Replaceable cartridge
Trimming width	230 mm (9 inches)
Cord reserve	6 m (approx. 20 feet)
Trimming cords	1
Weight of trimmer	1.4 kg (3.1 lbs)
Weight of battery pack	1.8 kg (4 lbs.)
Maximum trimming rpm	10000 rpm

## **COMPANY LIABILITY**

Sunlawn, Inc. is not liable for loss or damage caused by our products when such are caused by improper repairs or when, during an exchange of parts, such parts are used which are not manufactured by or approved by ourselves, and the repairs are not carried out by an authorized Sunlawn dealer. The same restrictions also apply for supplementary and accessory parts.



## Free Manuals Download Website

<http://myh66.com>

<http://usermanuals.us>

<http://www.somanuals.com>

<http://www.4manuals.cc>

<http://www.manual-lib.com>

<http://www.404manual.com>

<http://www.luxmanual.com>

<http://aubethermostatmanual.com>

Golf course search by state

<http://golfingnear.com>

Email search by domain

<http://emailbydomain.com>

Auto manuals search

<http://auto.somanuals.com>

TV manuals search

<http://tv.somanuals.com>