

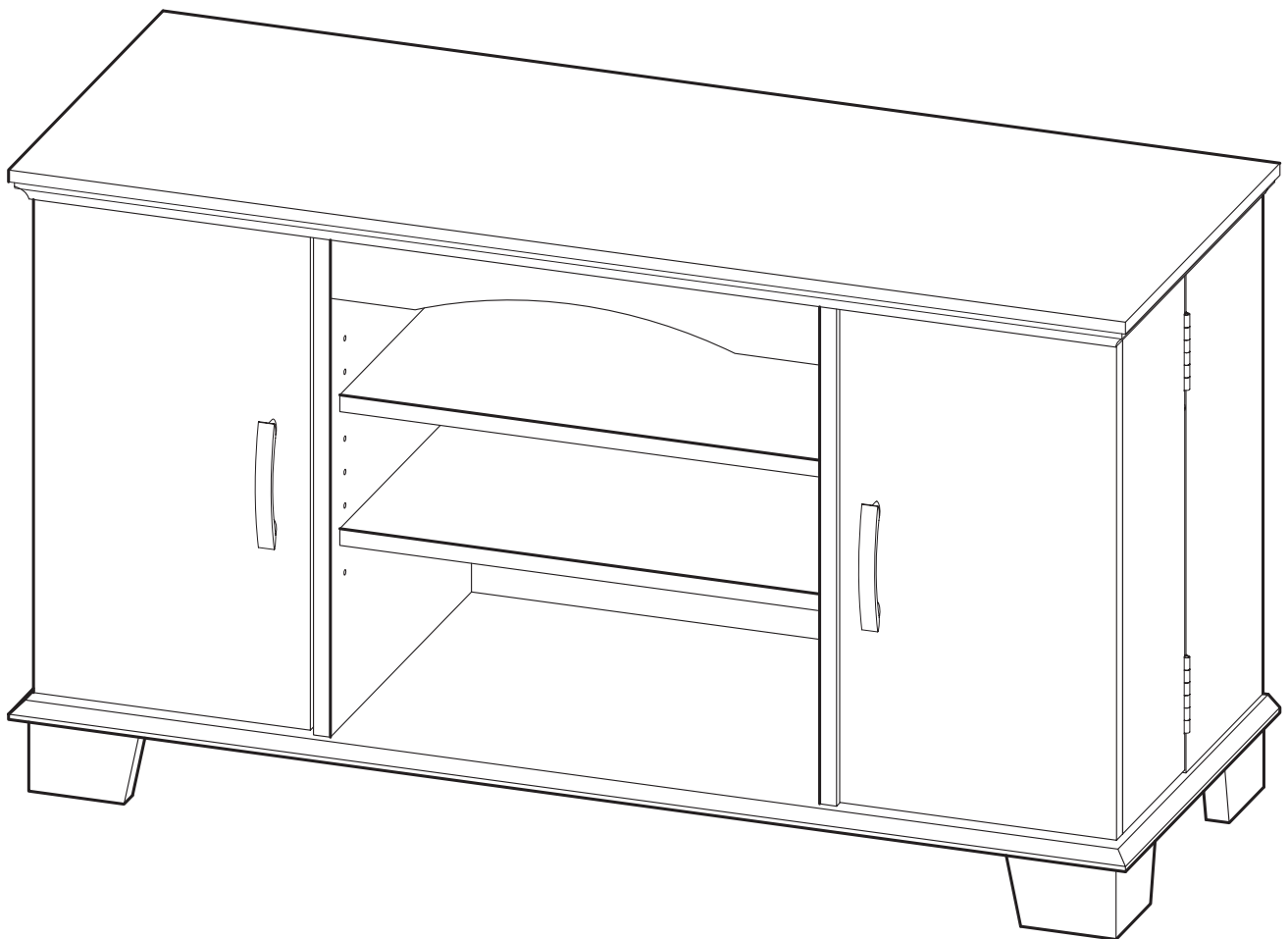


Walker  
Edison

furniture company

Item #: W42C77

Assembly Instructions

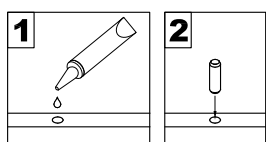


*For our most current instructions, to request missing, lost or broken parts, or for any other Customer Service issues, please visit our website at [www.walkeredison.com](http://www.walkeredison.com) or call us at 877-207-5906.*

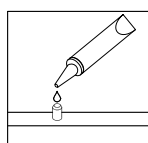
Revised 11/2010

# General Assembly Guidelines

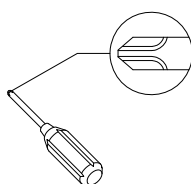
- I. Ensure that all parts and hardware are available before beginning assembly.
- II. Follow each step carefully to ensure the proper assembly of this product.
- III. Two people are recommended for ease in the assembly of this product.
- IV. The four main types of hardware used to assemble this product are: wood dowels, cam bolts and locks, bolts and screws.
- V. The provided glue is to secure wood dowels in place. When first inserting dowels, locate the appropriate hole for the dowel, place a small amount of glue in the hole and insert the dowel. Wipe away excess glue immediately.



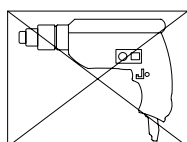
In future assembly steps when dowels are necessary to attach assembly parts together, place a small amount of glue on the end of the dowel before attaching parts together. Wipe away excess glue immediately.



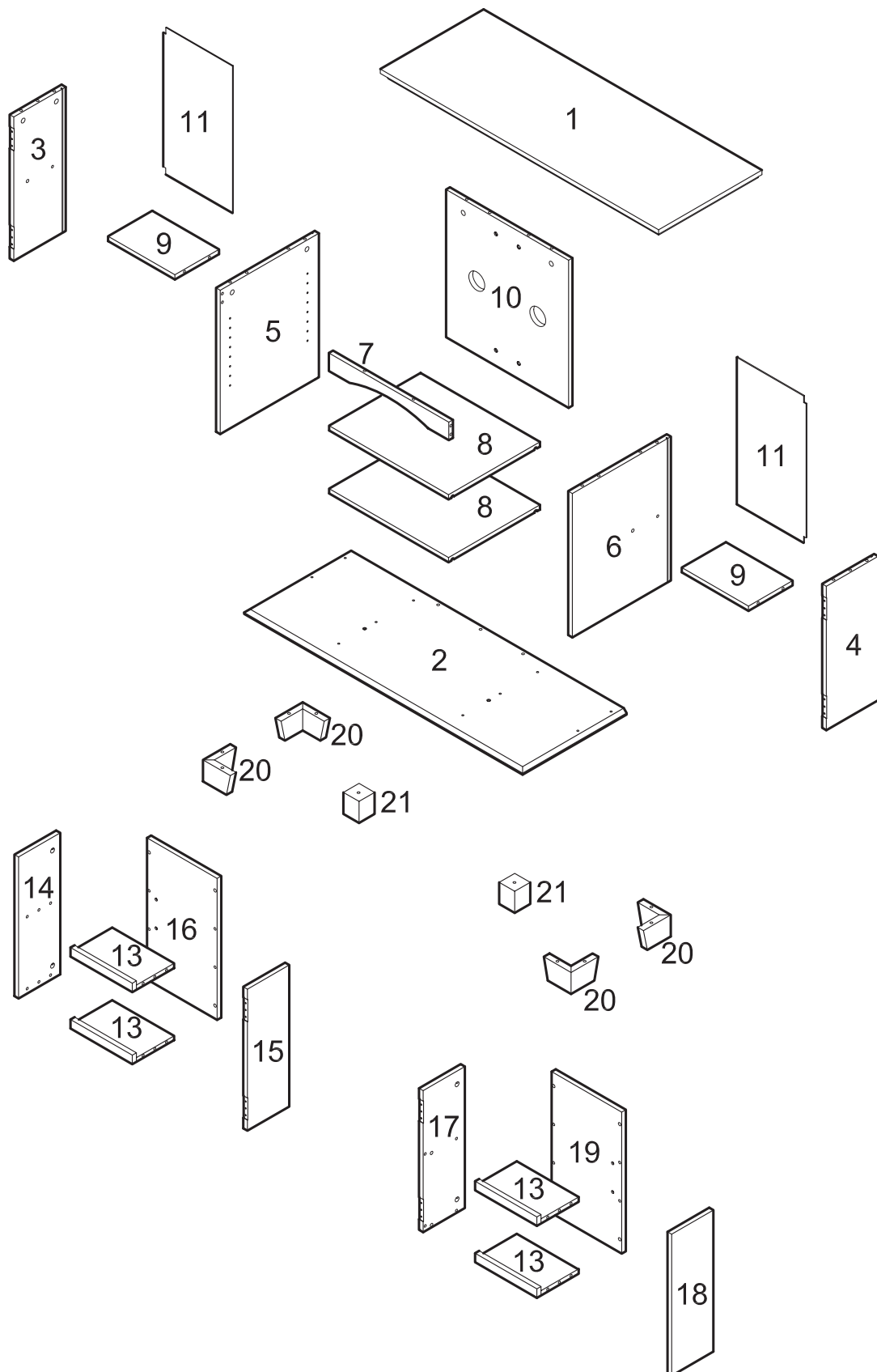
- VI. A Phillips head screwdriver is required for the assembly of this product.






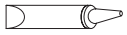


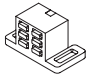
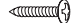



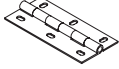

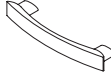


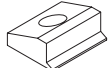

- VII. Power tools should not be used to assemble this product.



# Parts List

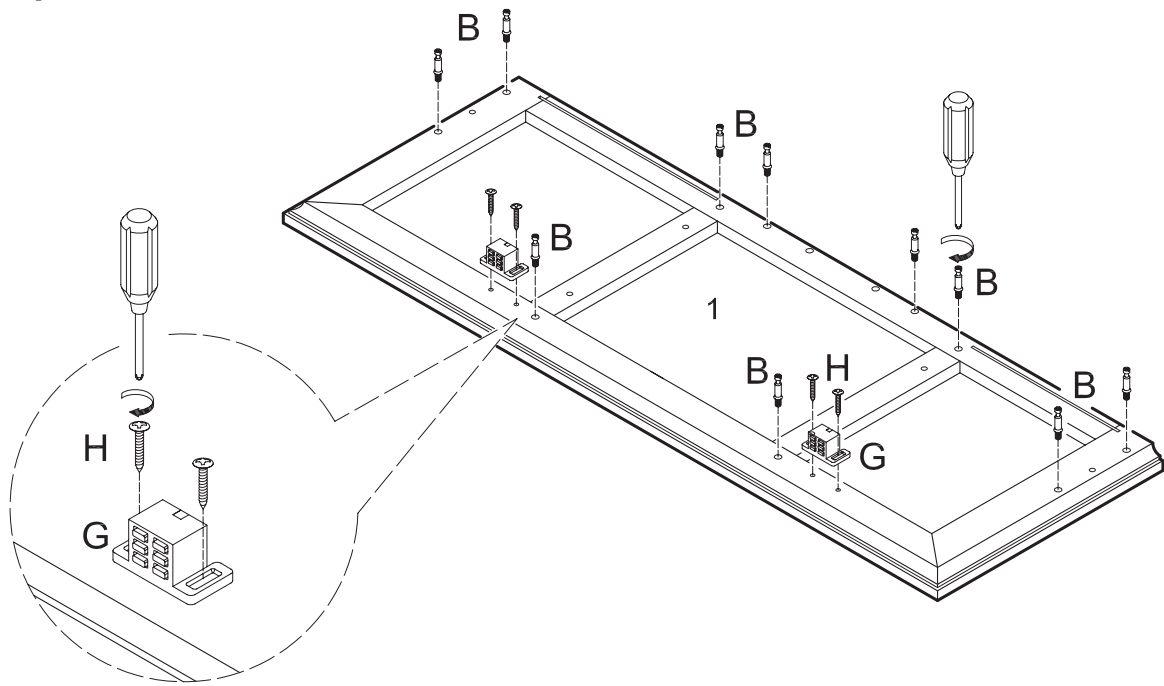


# Hardware List

A			Cam lock	32 pcs
B			Cam bolt	32 pcs
C		Ø8x30mm	Wood dowel	48 pcs
D			Glue tube	3 pcs
E		Ø6x50mm	Bolt	15 pcs
F			Wrench	1 pc
G			Door stopper	2 pcs
H		Ø3x15mm	Small round head screw	4 pcs
I			Shelf support pin	8 pcs
J			Door stopper plate	2 pcs
K		Ø3x12mm	Small screw	2 pcs
L			Door hinge	4 pcs
M		Ø4x20mm	Large screw	24 pcs
N			Handle	2 pcs
P		Ø4x22mm	Large round head screw	4 pcs
Q		Ø3x17mm	Medium screw	8 pcs
R			Plastic wedge	8 pcs
S		Ø25mm	Sticker	32 pcs

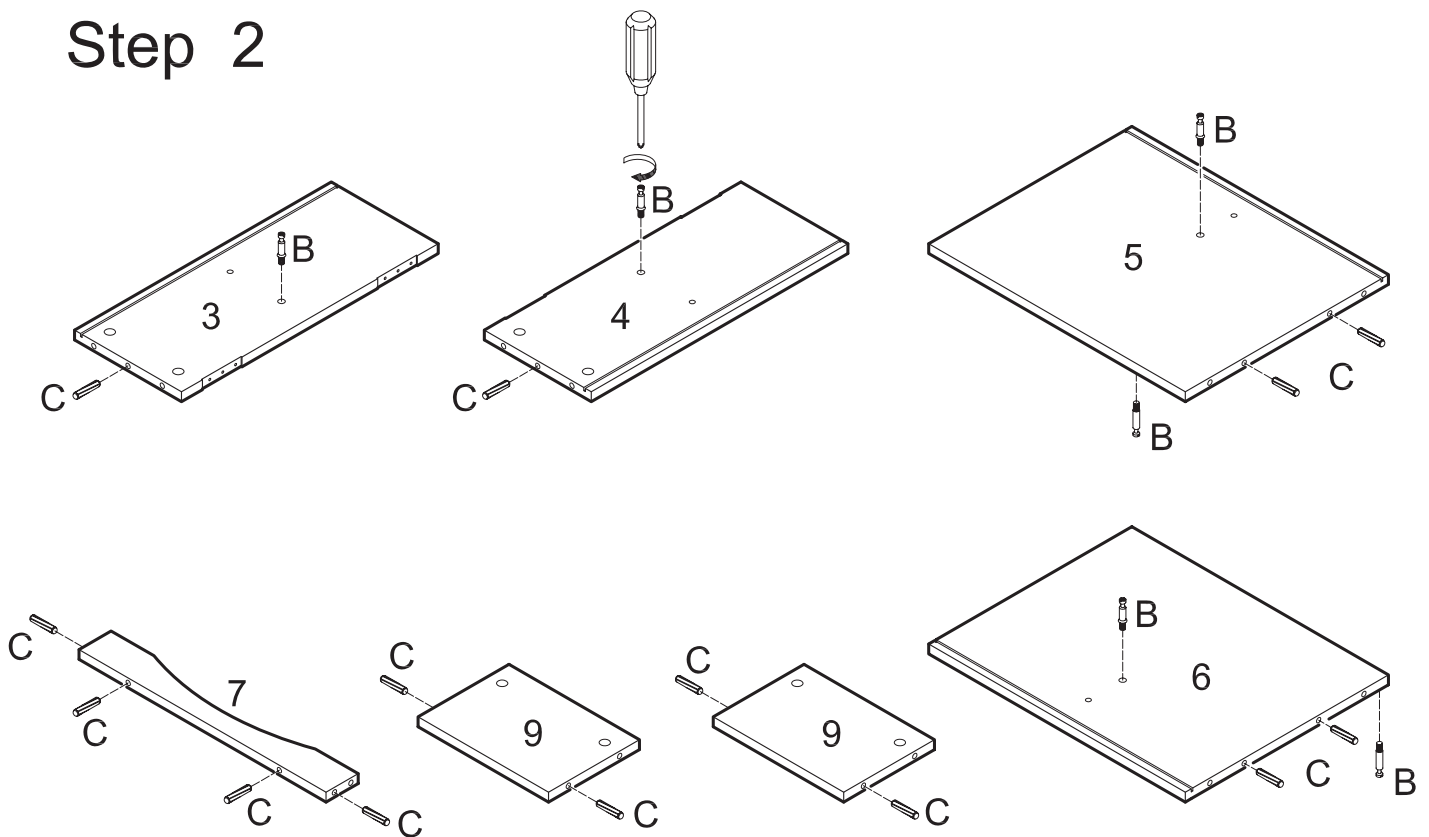
*The hardware quantities listed above are required for proper assembly.  
Some extra hardware may also have been included.*

# Step 1



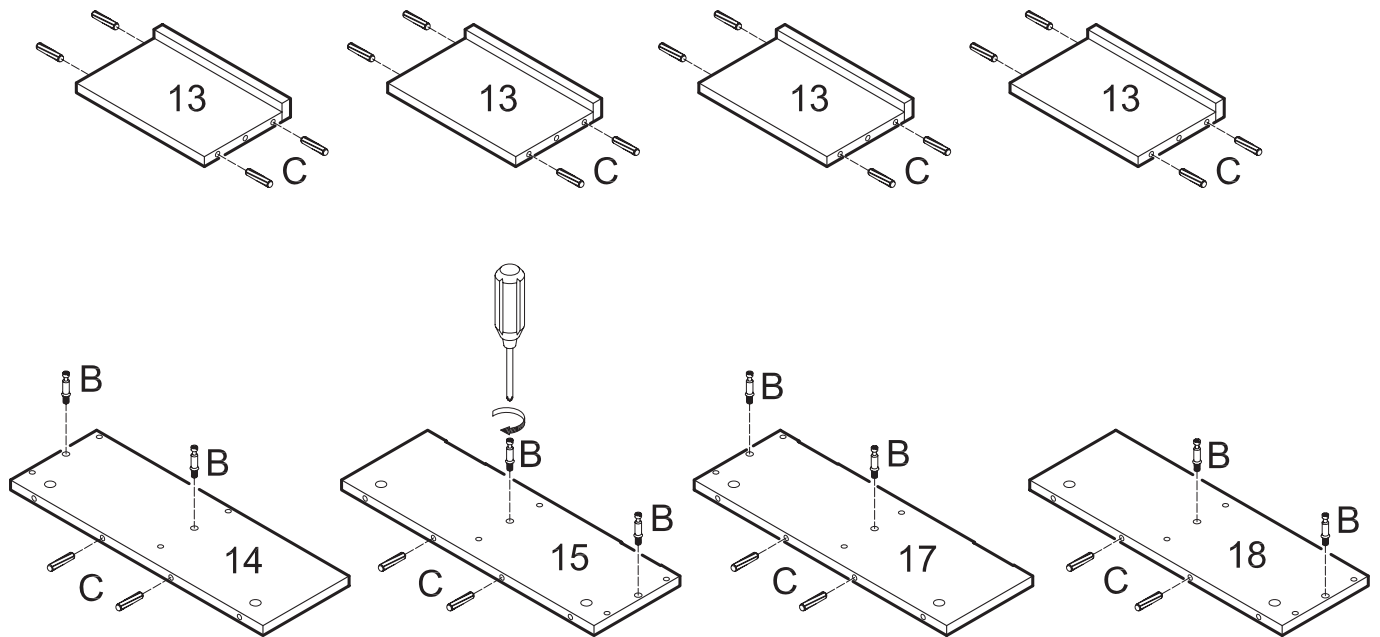
Screw cam bolts (B) into stand top (1). Attach door stoppers (G) to stand top (1) using small round head screws (H).

# Step 2



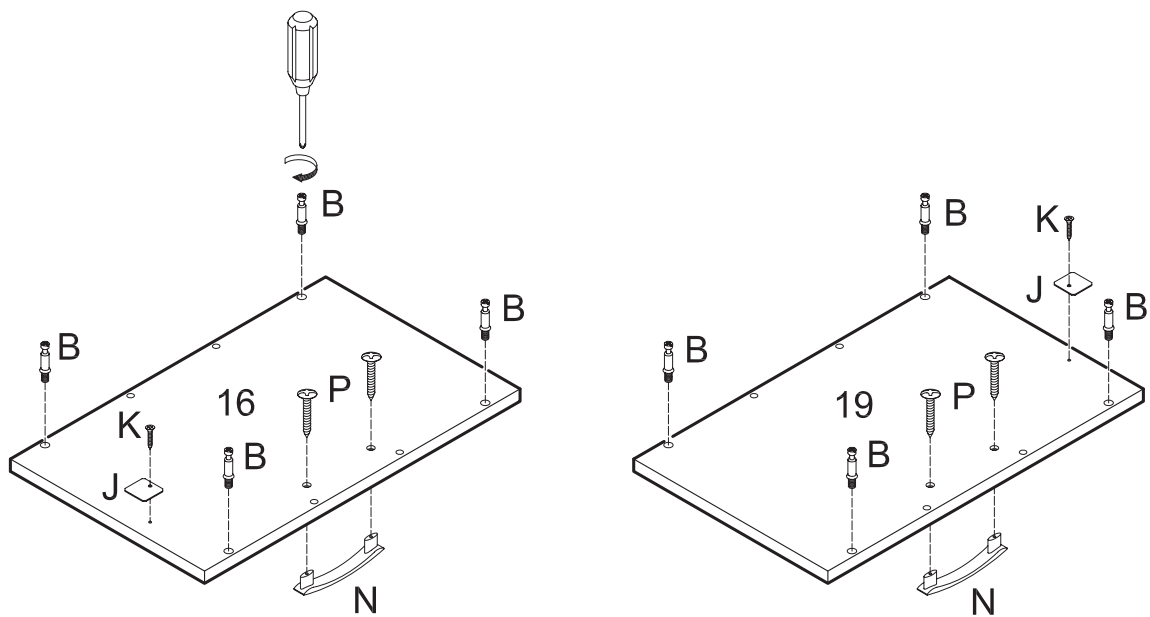
Screw cam bolts (B) into panels (3,4,5,6). Note that a cam bolt will be screwed into each side of panels (5,6). Insert dowels (C) into panels (3,4,5,6), slat (7) and shelves (9).

## Step 3



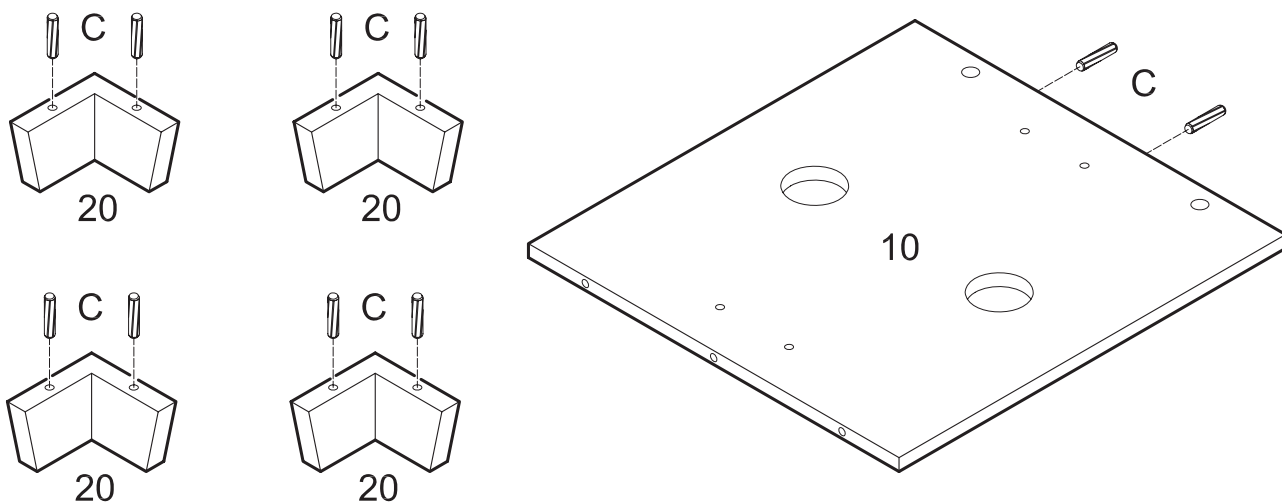
Insert dowels (C) into shelves (13) and panels (14,15,17,18). Screw cam bolts (B) into panels (14,15,17,18).

## Step 4



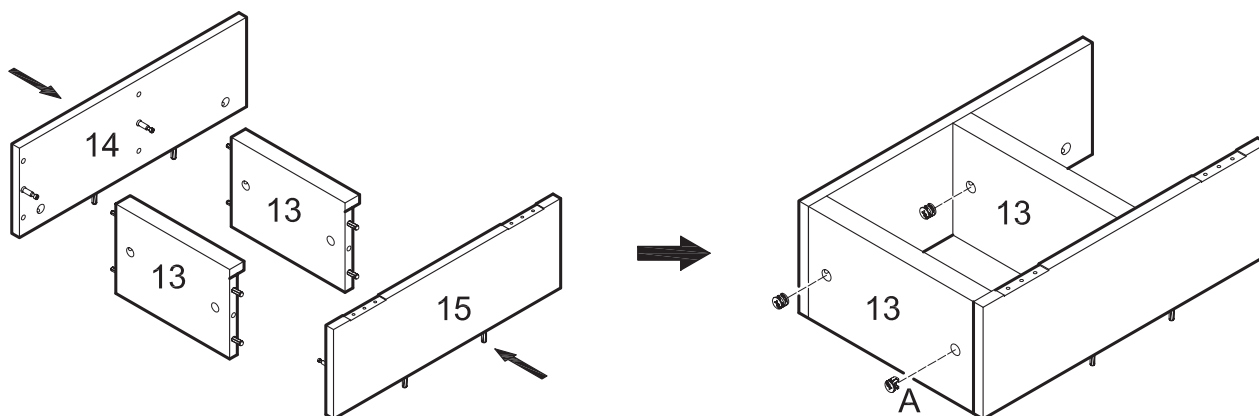
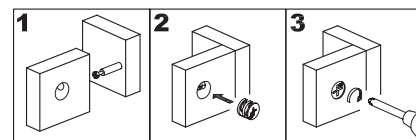
Screw cam bolts (B) into doors (16,19). Attach door stopper plates (J) to doors (16,19) using small screws (K). Attach handles (N) to doors (16,19) using large round head screws (P).

## Step 5



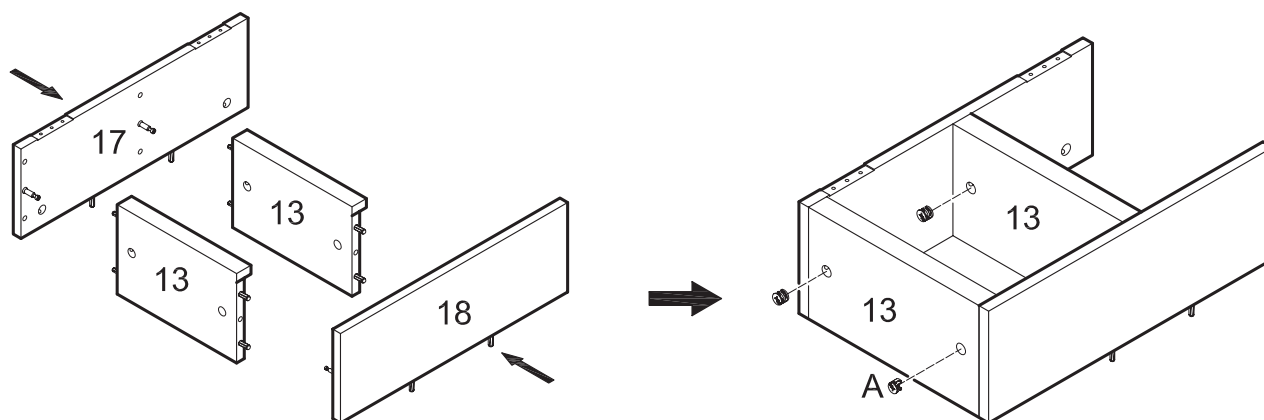
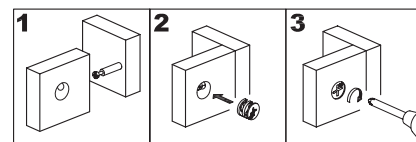
Insert dowels (C) into feet (20) and back panel (10).

## Step 6



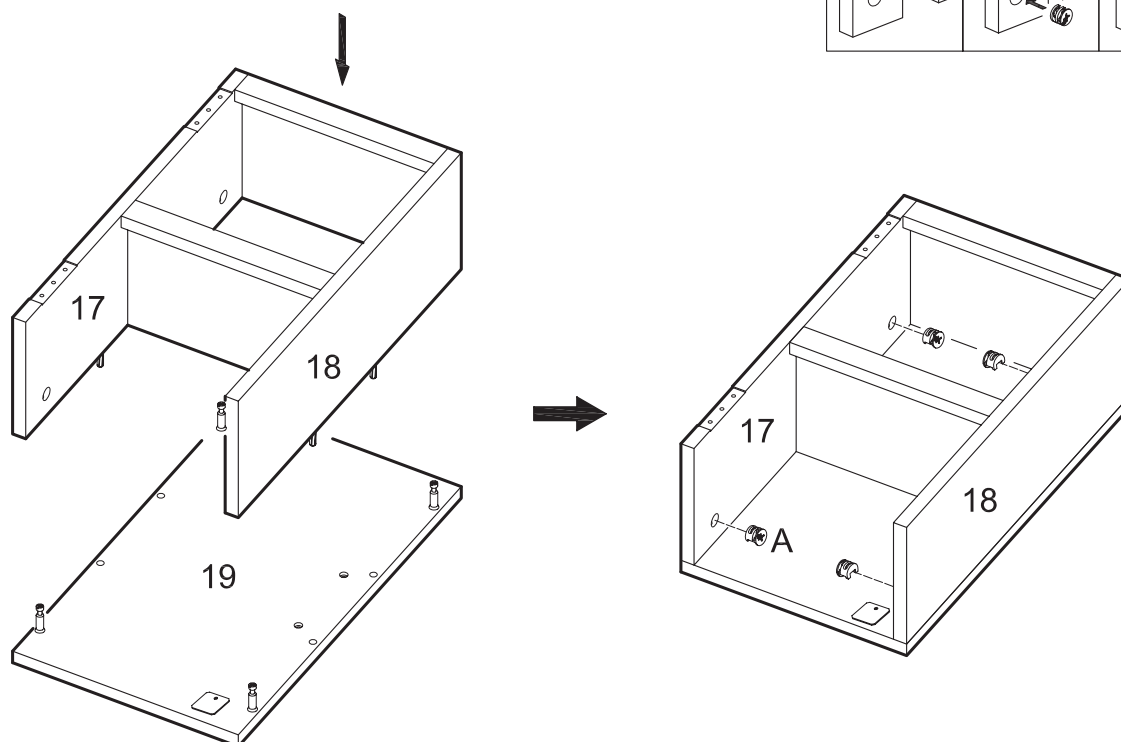
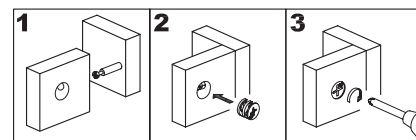
Attach panels (14,15) to shelves (13) using cam bolts and dowels as guides. Insert cam locks (A) into shelves (13) and tighten with a screwdriver. *Note that two cam locks will be inserted into each shelf.*

## Step 7



Attach panels (17,18) to the second set of shelves (13) using cam bolts and dowels as guides. Insert cam locks (A) into shelves (13) and tighten with a screwdriver. *Note that two cam locks will be inserted into each shelf.*

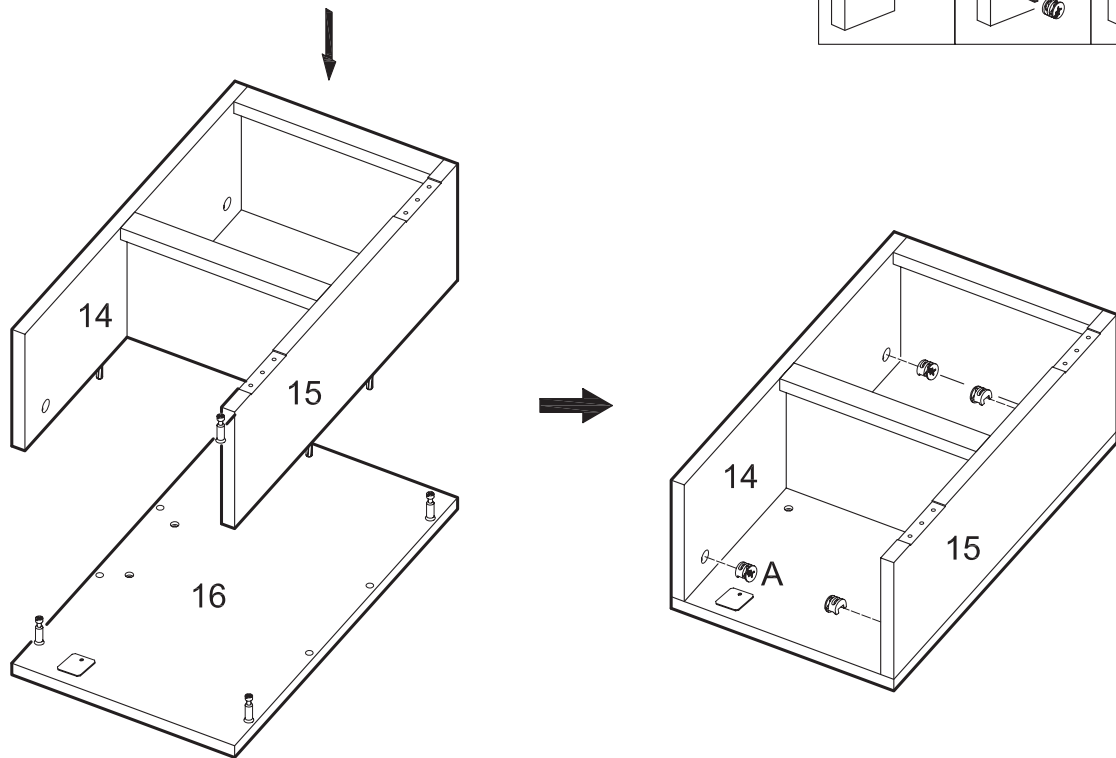
## Step 8



Attach the shelf assembly from the previous step to door (19) using cam bolts and dowels as guides. Insert cam locks (A) into panels (17,18) and tighten with a screwdriver.

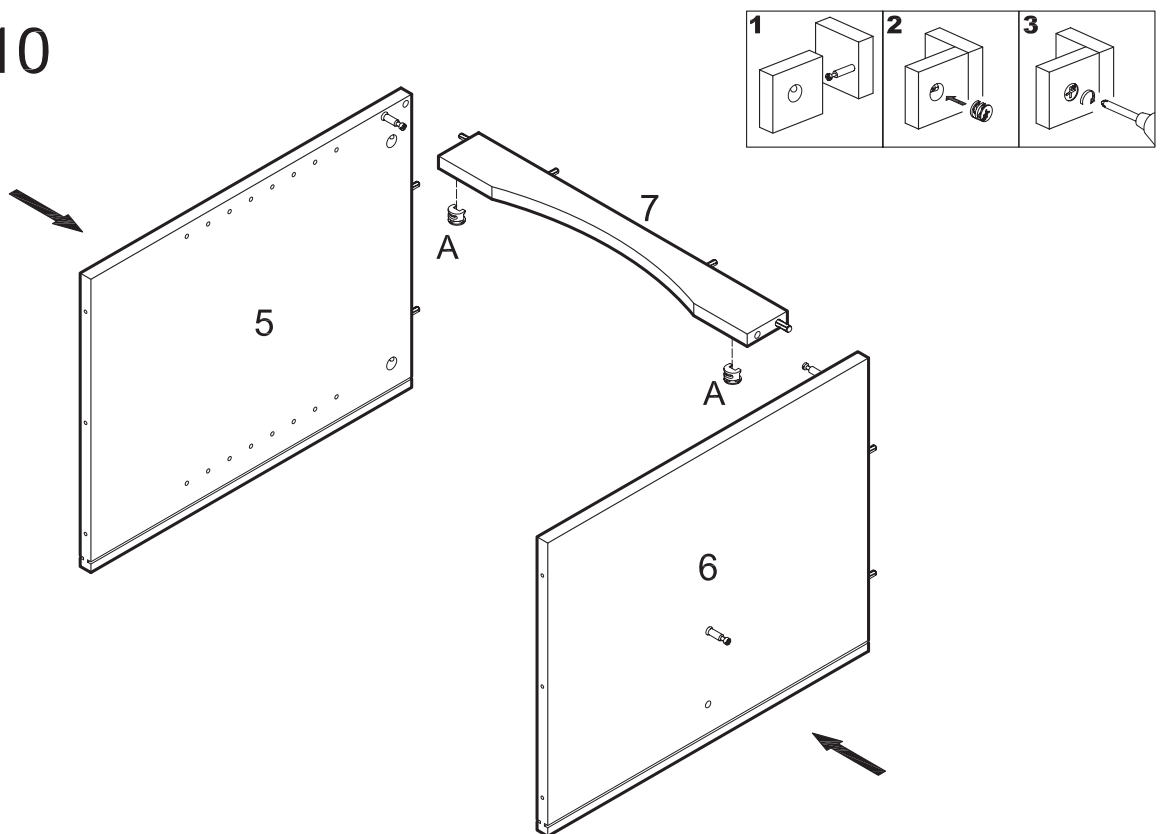


## Step 9



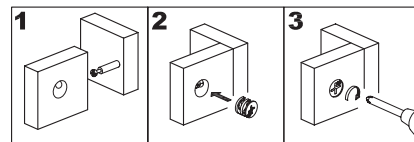
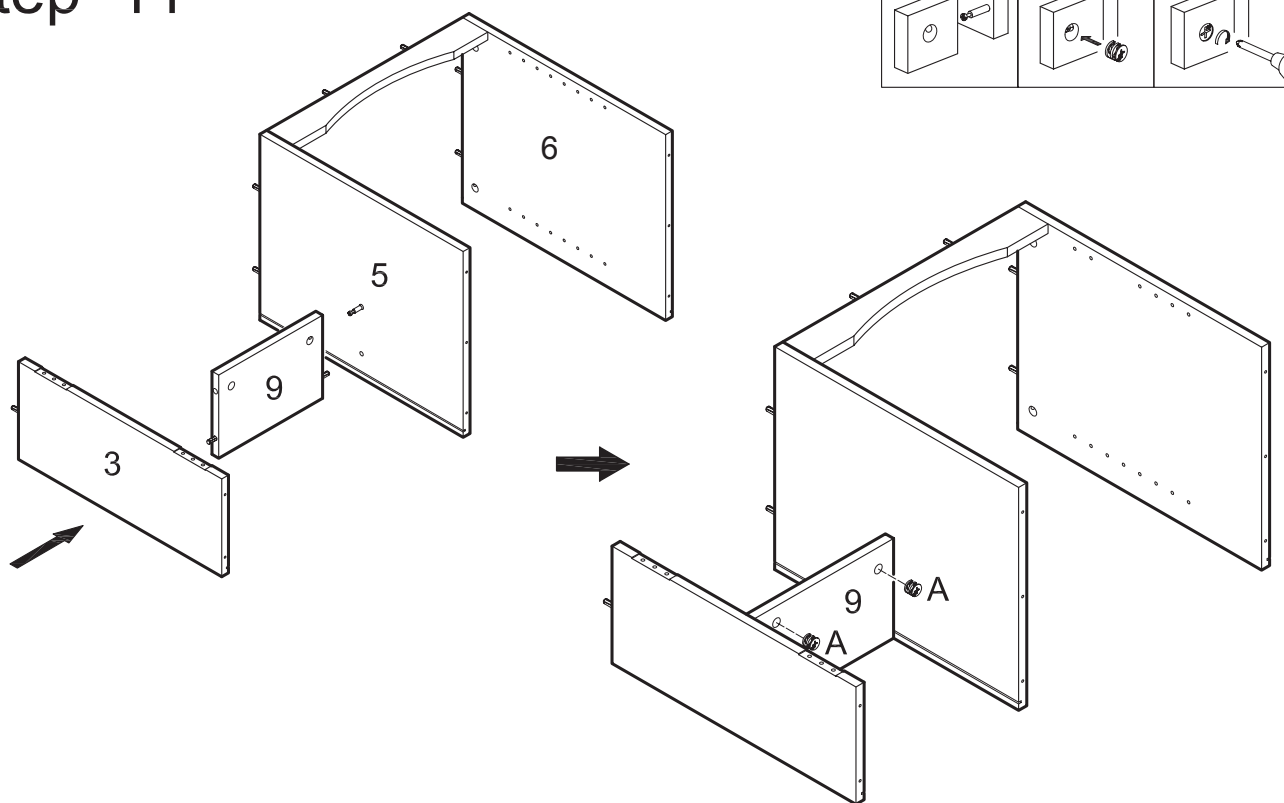
Attach the shelf assembly from Step 6 to door (16) using cam bolts and dowels as guides. Insert cam locks (A) into panels (14,15) and tighten with a screwdriver.

## Step 10



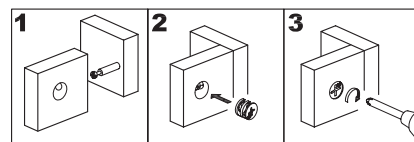
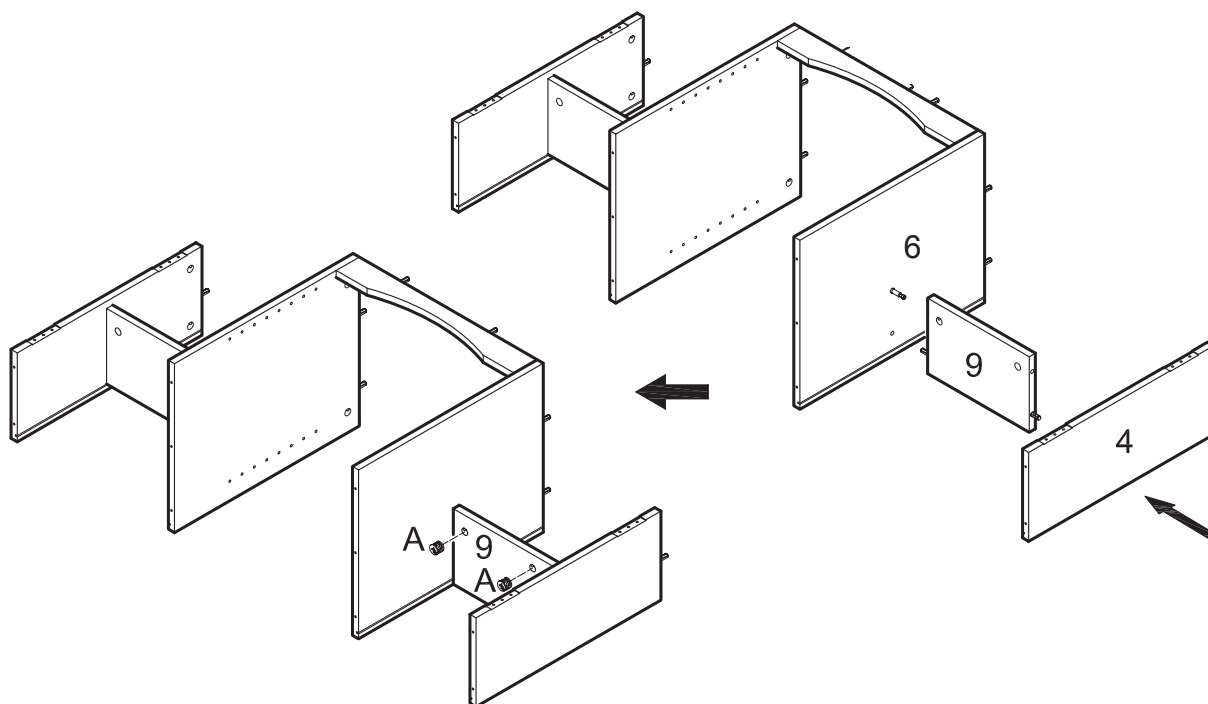
Insert cam locks (A) into slat (7). Attach panels (5,6) to slat (7) using cam bolts and dowels as guides. Tighten cam locks (A) with a screwdriver.

# Step 11



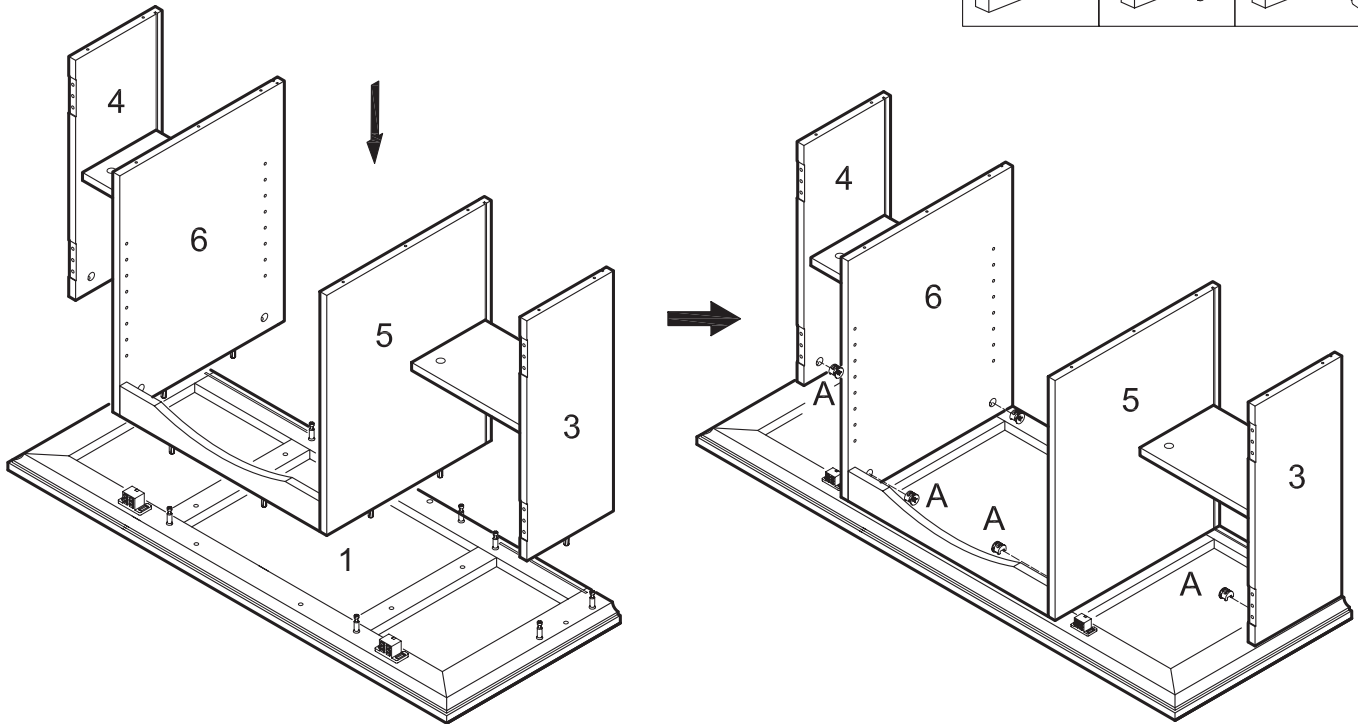
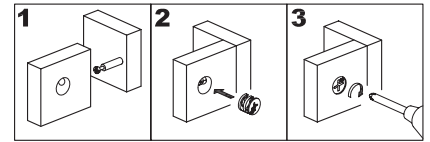
Attach shelf (9) to panel (5), then panel (3) to shelf (9) using cam bolts and dowels as guides. Insert cam locks (A) into shelf (9) and tighten with a screwdriver.

# Step 12



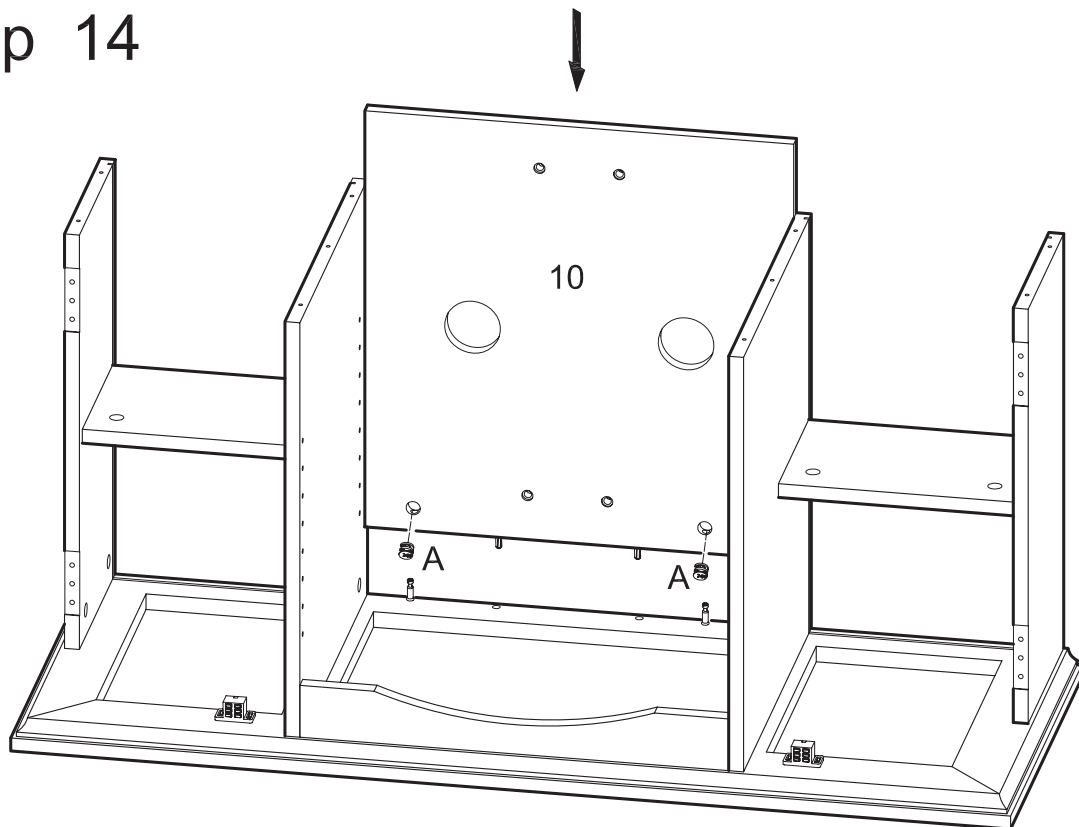
Attach shelf (9) to panel (6), then panel (4) to shelf (9) using cam bolts and dowels as guides. Insert cam locks (A) into shelf (9) and tighten with a screwdriver.

## Step 13



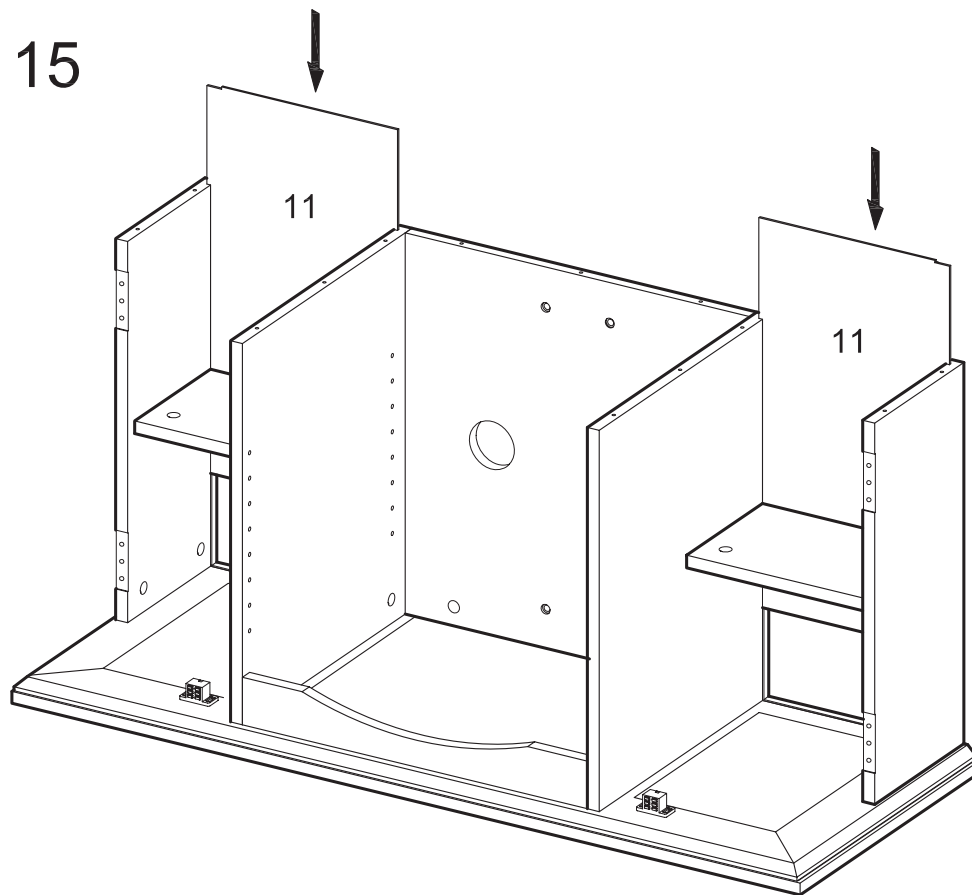
Attach the panel assembly from the previous step to stand top (1) using cam bolts and dowels as guides. Insert cam locks (A) into panels (3,4,5,6) and tighten with a screwdriver. *Note that two cam locks will be inserted into each panel.*

## Step 14



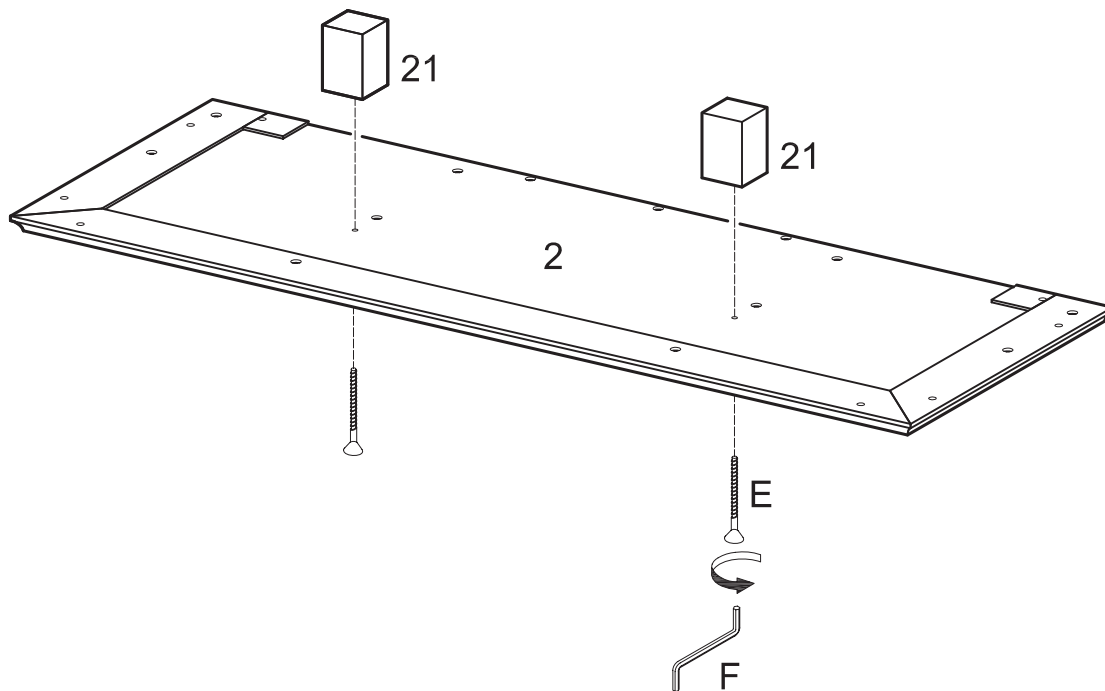
Carefully slide back panel (10) into place along the back of the stand assembly. Use cam bolts and dowels as guides. Insert cam locks (A) into back panel (10) and tighten with a screwdriver.

## Step 15



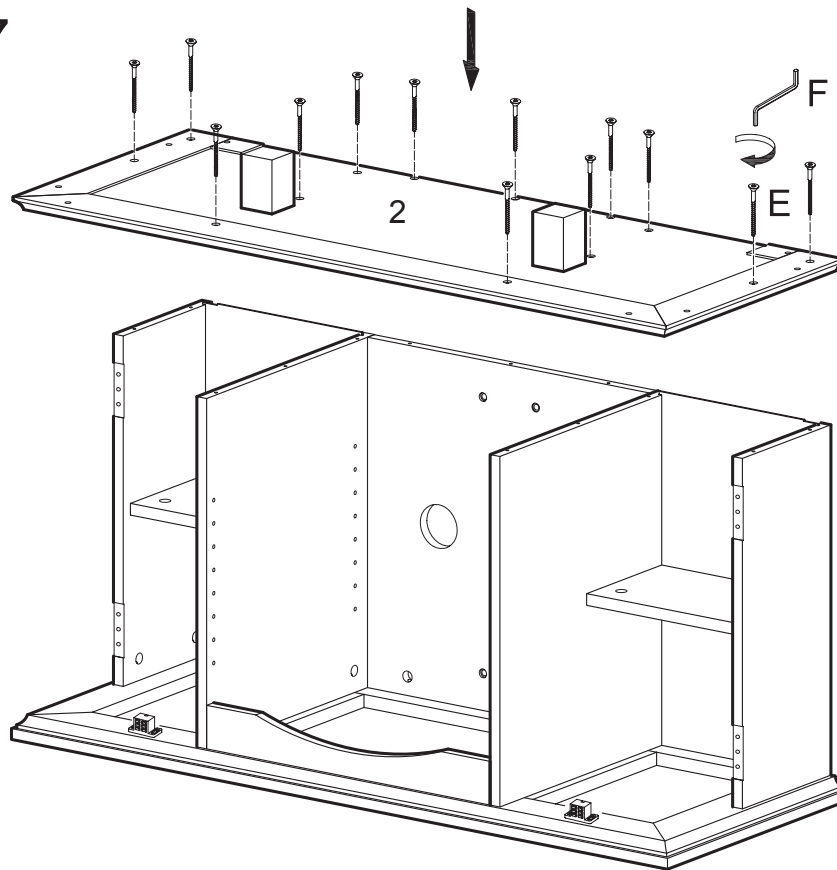
Carefully slide back panels (11) into place along the grooves at the back of the stand assembly.

## Step 16



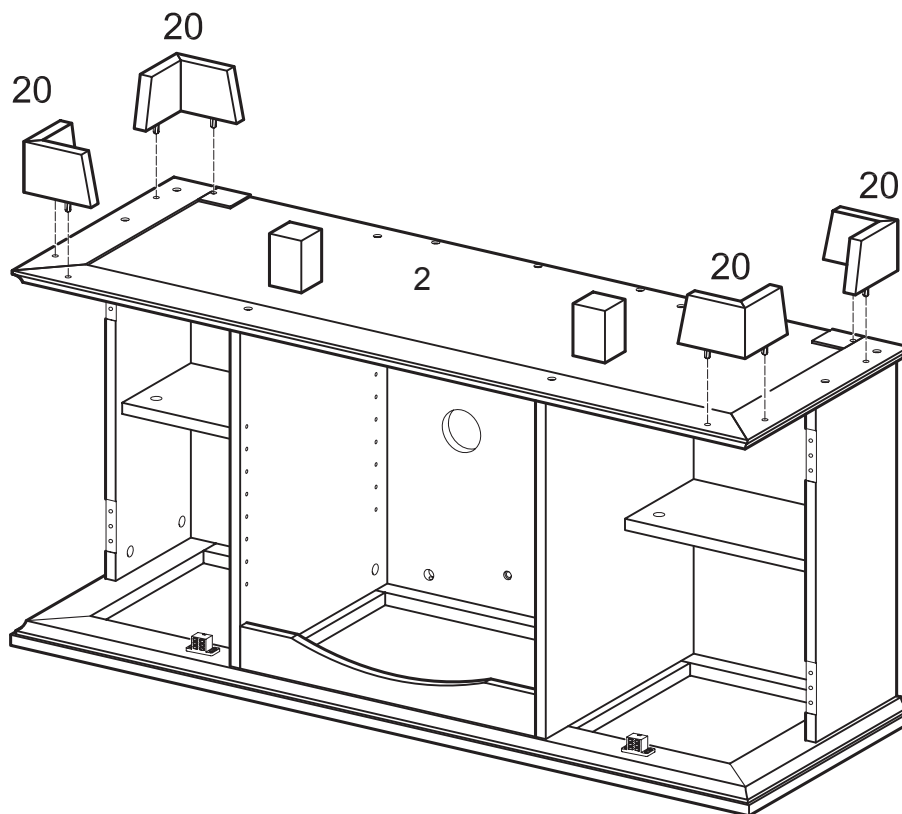
Attach stand supports (21) to stand base (2) using bolts (E). Tighten bolts (E) with wrench (F).

## Step 17



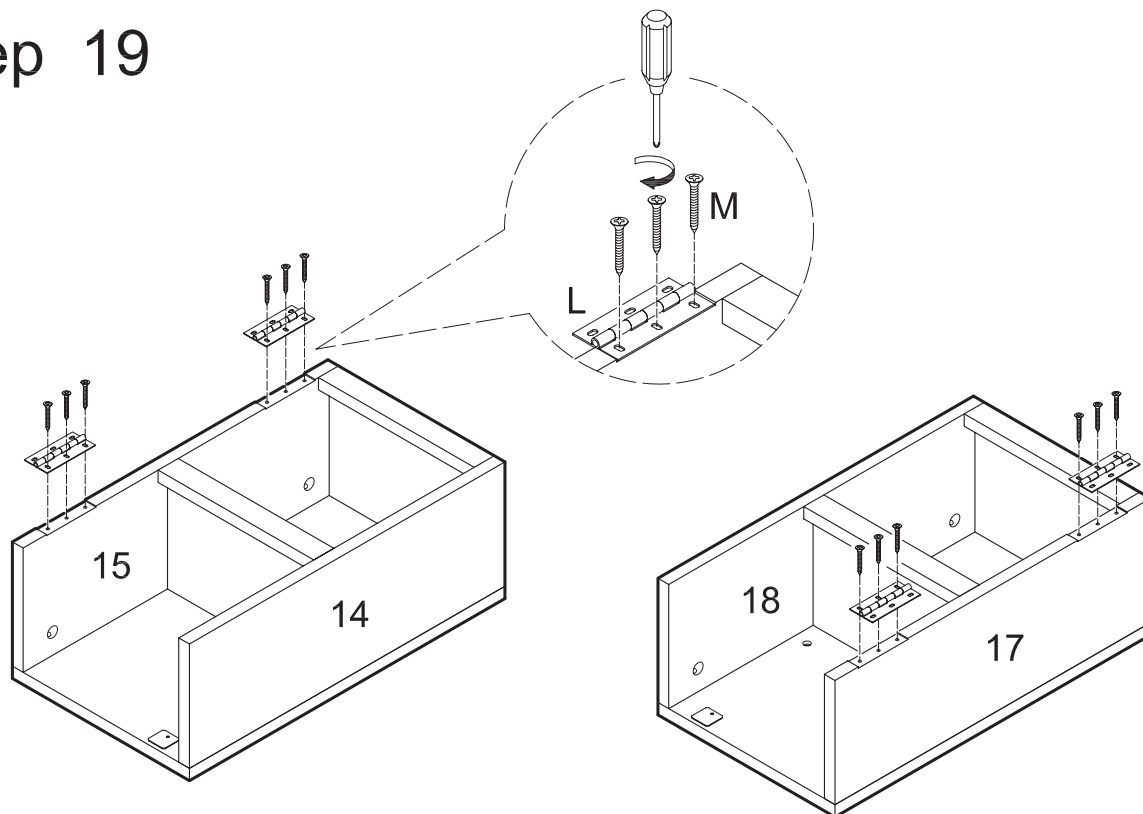
Attach stand base (2) to the stand assembly using bolts (E). Tighten bolts (E) with wrench (F).

## Step 18



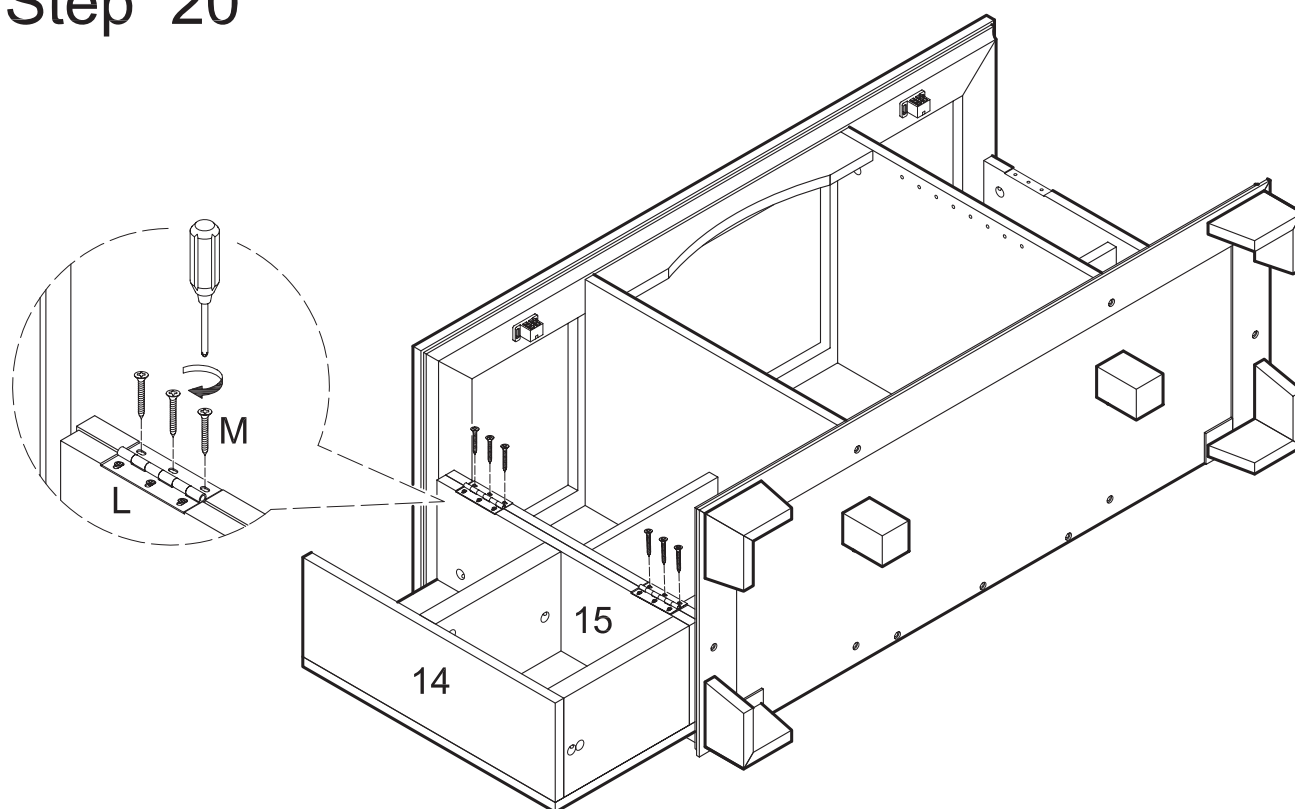
Attach feet (20) to stand base (2) using dowels as guides.

## Step 19



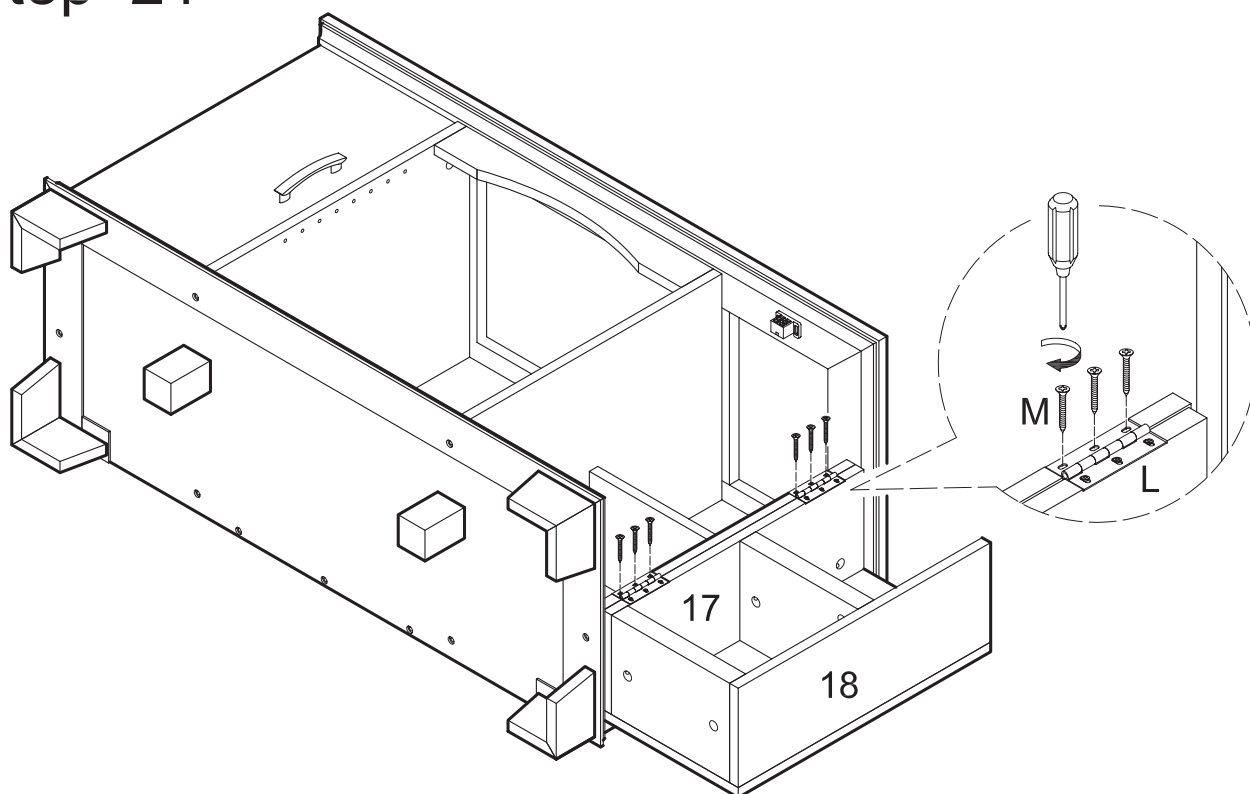
Attach door hinges (L) to the door assemblies from Steps 8 and 9 using large screws (M).

## Step 20



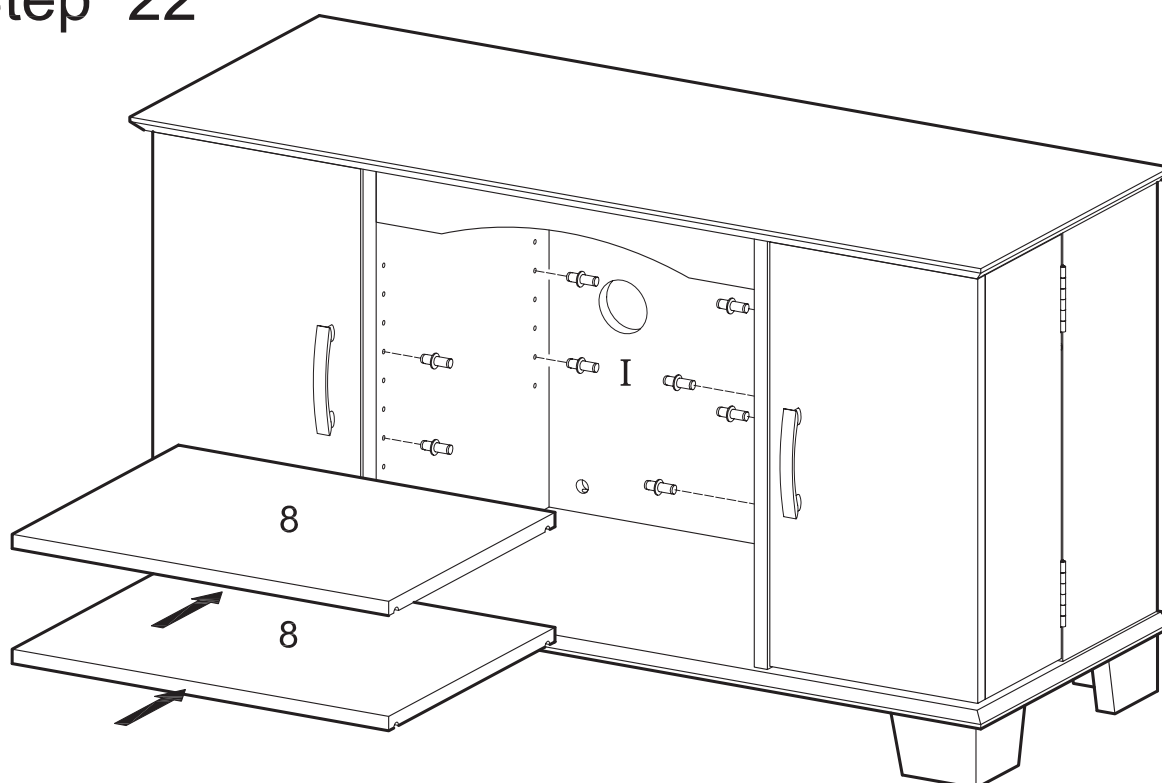
Attach door assembly (14,15) to the stand assembly at door hinges (L) using large screws (M).

## Step 21



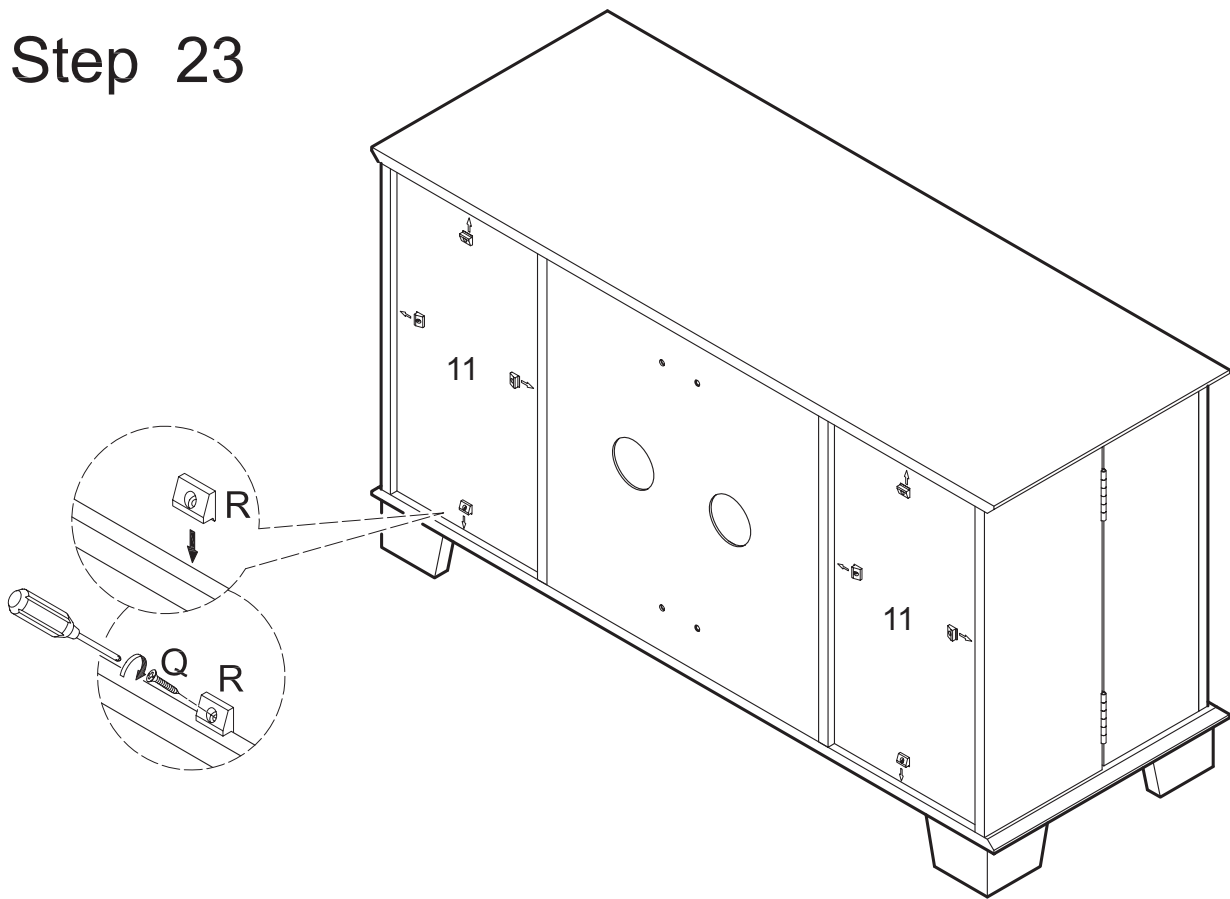
Attach door assembly (17,18) to the opposite side of the stand assembly at door hinges (L) using large screws (M).

## Step 22



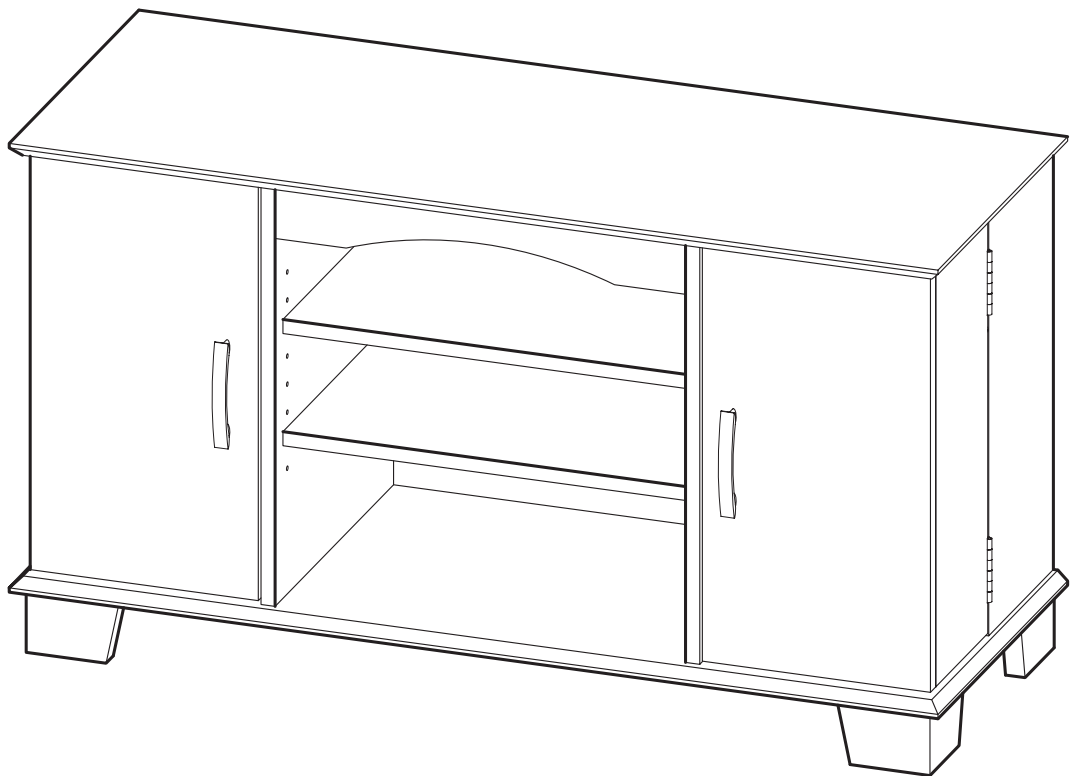
Insert shelf support pins (I) into the stand assembly at desired shelf heights. Carefully slide shelves (8) into place resting on shelf support pins (I).

## Step 23



Secure back panels (11) using plastic wedges (R) and medium screws (Q).

## Step 24



Final Assembly



## Free Manuals Download Website

<http://myh66.com>

<http://usermanuals.us>

<http://www.somanuals.com>

<http://www.4manuals.cc>

<http://www.manual-lib.com>

<http://www.404manual.com>

<http://www.luxmanual.com>

<http://aubethermostatmanual.com>

Golf course search by state

<http://golfingnear.com>

Email search by domain

<http://emailbydomain.com>

Auto manuals search

<http://auto.somanuals.com>

TV manuals search

<http://tv.somanuals.com>