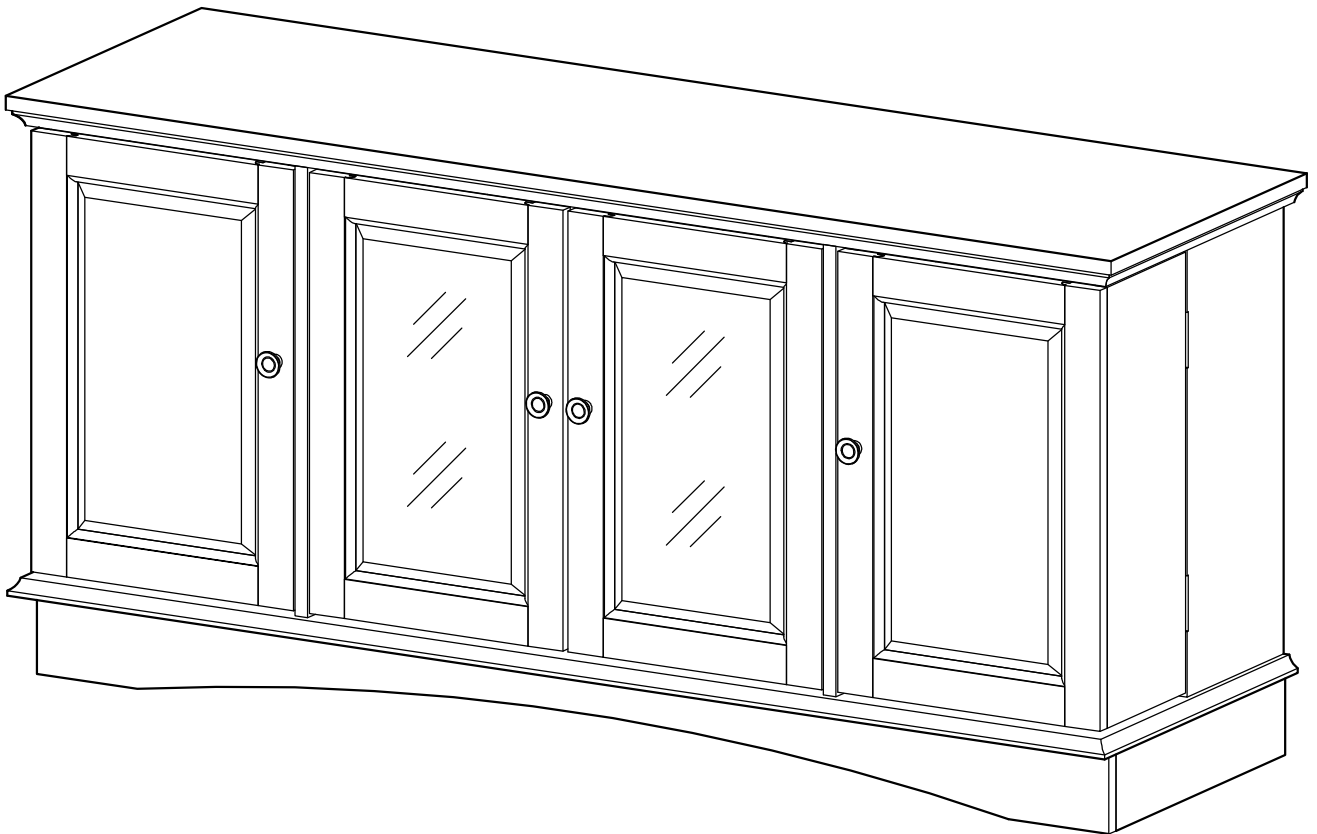


W Walker
Edison
furniture company

Item #: WQ52C4DR
Assembly Instructions

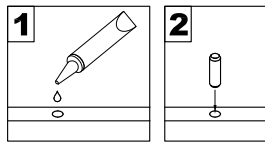


For our most current instructions, to request missing, lost or broken parts, or for any other Customer Service issues, please visit our website at www.walkerredison.com or call us at 877-207-5906.

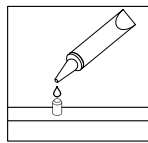
Revised 09/2010

General Assembly Guidelines

- I. Ensure that all parts and hardware are available before beginning assembly.
- II. Follow each step carefully to ensure the proper assembly of this product.
- III. Two people are recommended for ease in the assembly of this product.
- IV. The four main types of hardware used to assemble this product are: wood dowels, cam bolts and locks, bolts and screws.
- V. The provided glue is to secure wood dowels in place. When first inserting dowels, locate the appropriate hole for the dowel, place a small amount of glue in the hole and insert the dowel. Wipe away excess glue immediately.



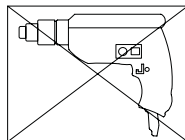
In future assembly steps when dowels are necessary to attach assembly parts together, place a small amount of glue on the end of the dowel before attaching parts together. Wipe away excess glue immediately.



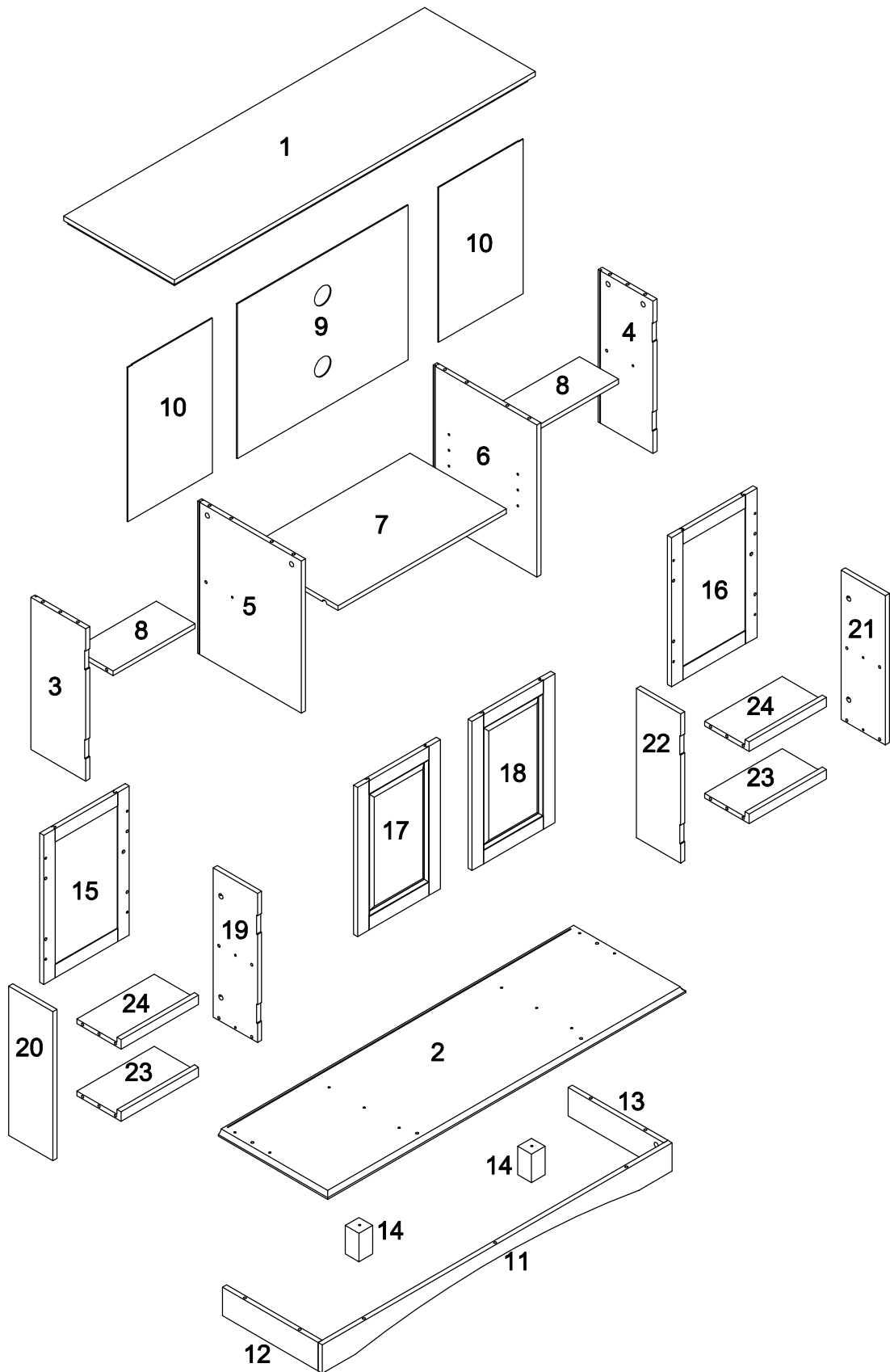
- VI. A Phillips head screwdriver is required for the assembly of this product.






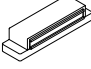

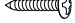
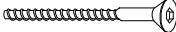

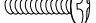

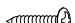


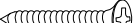
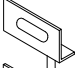
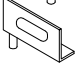
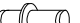
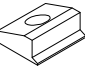
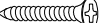

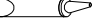

- VII. Power tools should not be used to assemble this product.



Parts List



Hardware List

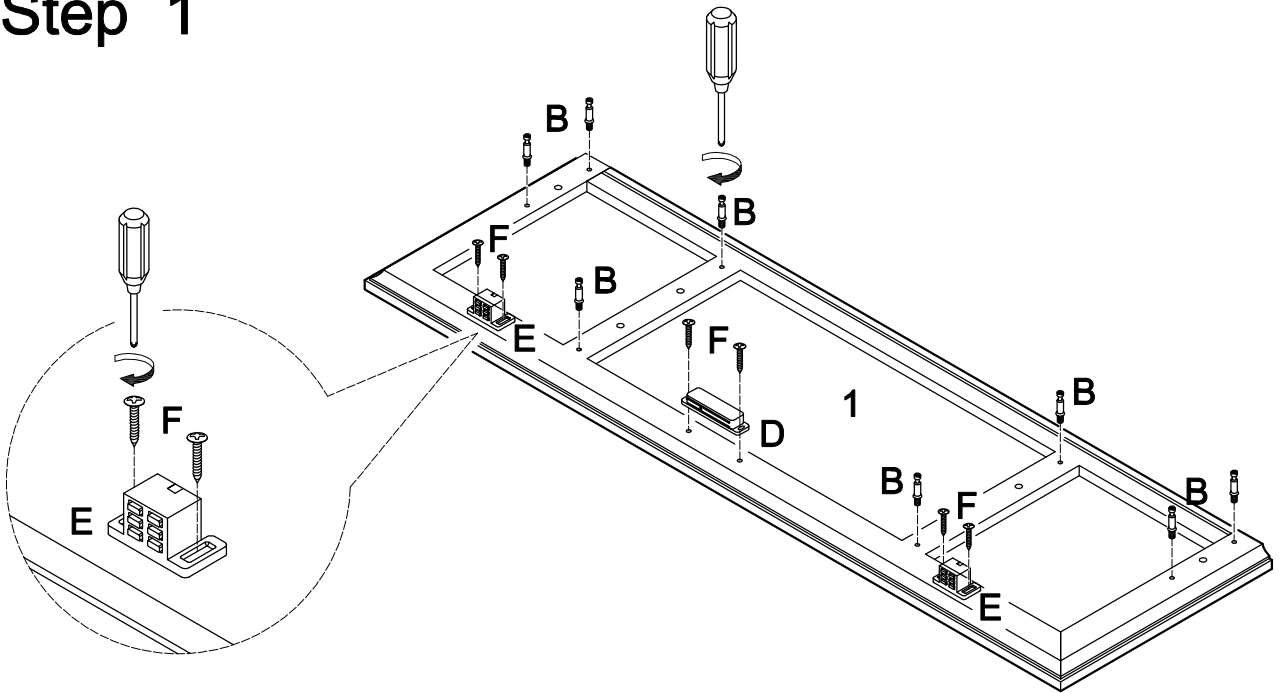
A		Ø8x30mm	Wood dowel	41 pcs
B		Ø6x35mm	Cam bolt	32 pcs
C		Ø15x12mm	Cam lock	32 pcs
D			Door stopper	1 pcs
E			Door stopper	2 pcs
F		Ø3x15mm	Medium screw	6 pcs
G		Ø6x50mm	Large bolt	12 pcs
H		Ø25x17mm	Handle	4 pcs
I		Ø4x19mm	Small bolt	4 pcs
J		Ø30x20x1mm	Door stopper plate	4 pcs
K		Ø3x12mm	Small screw	12 pcs
L			Plastic pivot	4 pcs
M		83x23x2mm	Standard door hinge	4 pcs
N		Ø4x20mm	Extra-large screw	24 pcs
P		40x15.5x15mm	Door hinge	2 pcs
R		40x15.5x15mm	Door hinge	2 pcs
S		Ø5x15mm	Shelf support pin	4 pcs
T			Plastic wedge	12 pcs
U		Ø3x17mm	Large screw	12 pcs
V		Ø4mm	Wrench	1 pcs
W			Glue tube	3 pcs
X*		Ø25mm	Sticker	32 pcs

**Stickers (X) can be used to cover all visible cam locks after the stand is assembled.*

The hardware quantities listed above are required for proper assembly.

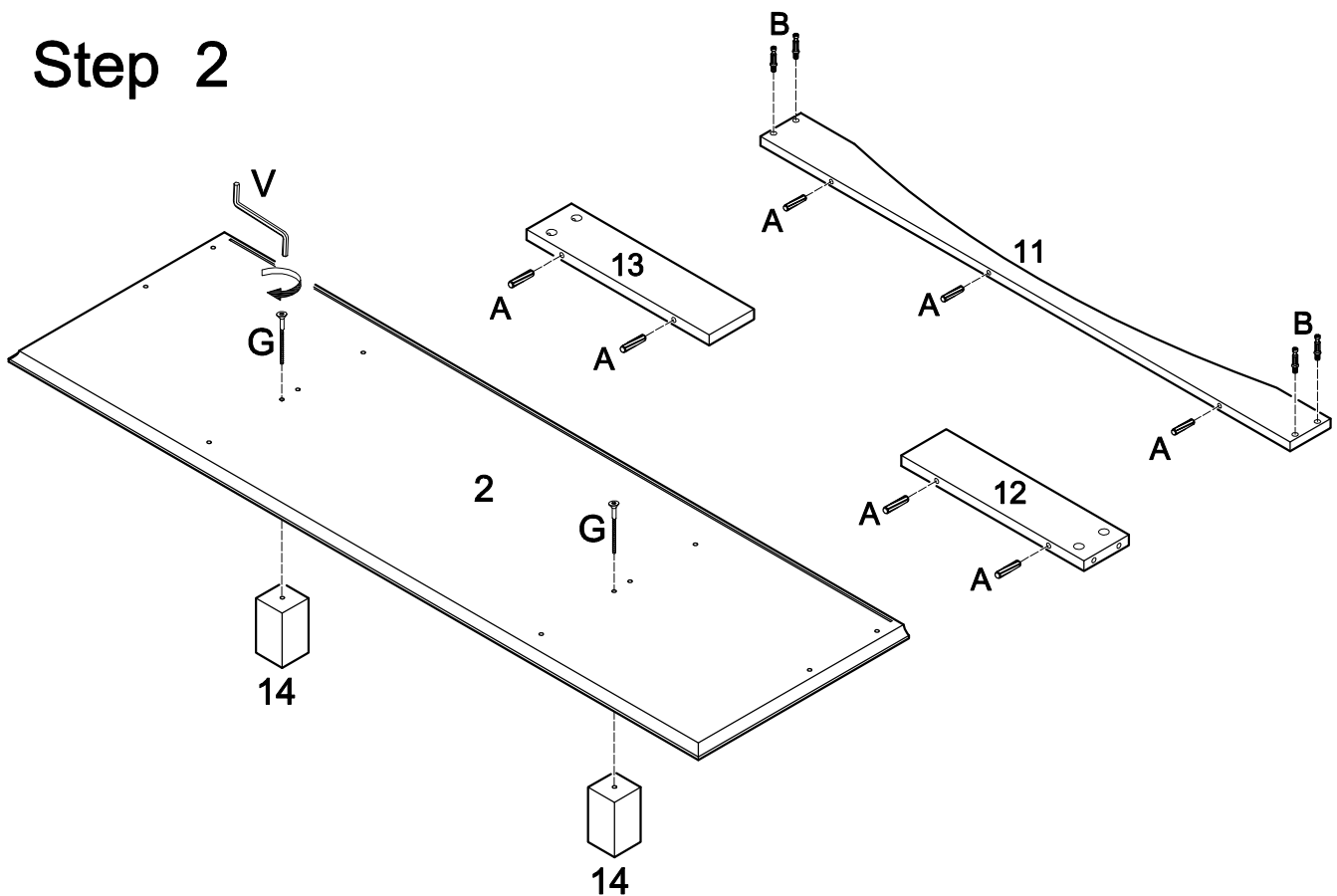
Some extra hardware may also have been included.

Step 1



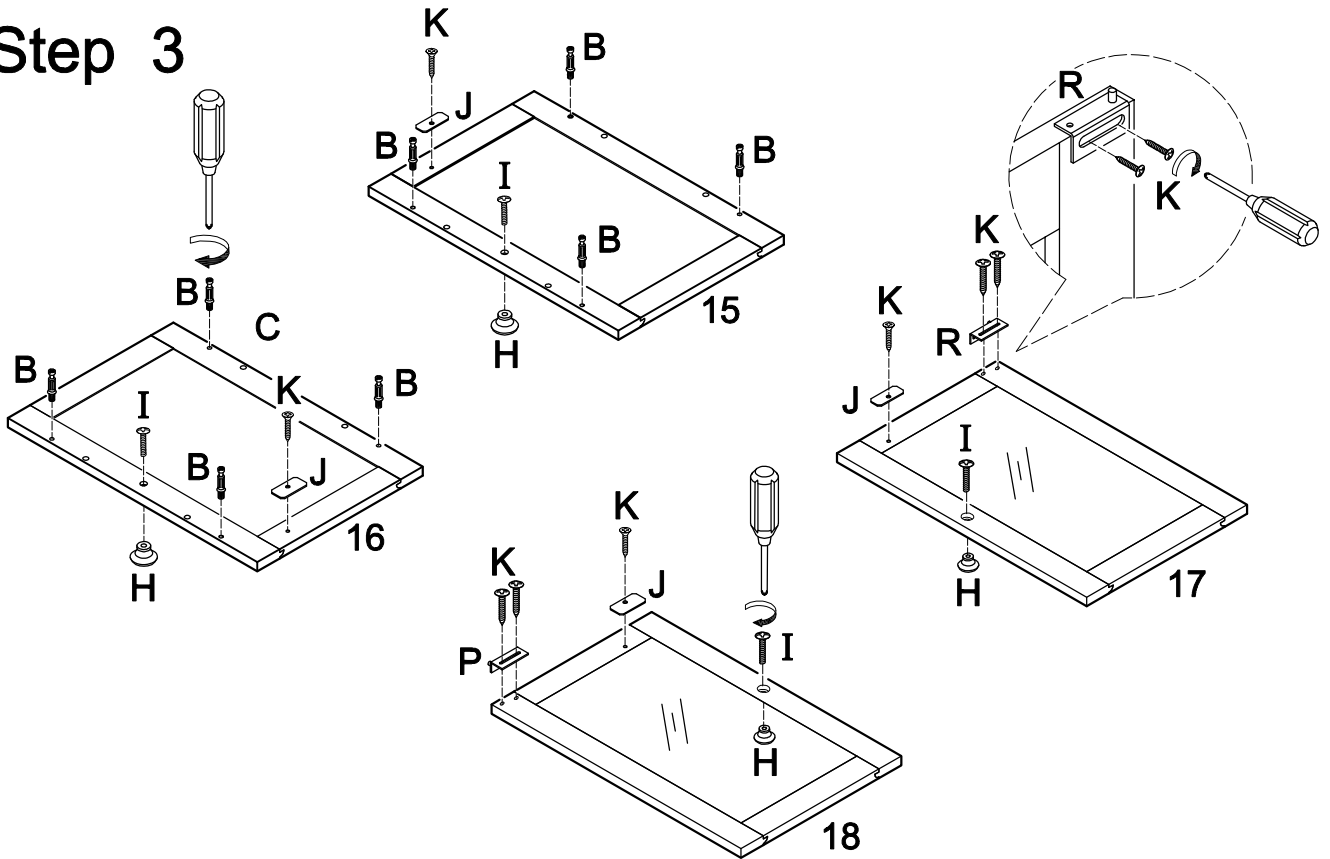
Screw cam bolts (B) into top panel (1). Attach door stoppers (D,E) to top panel (1) using medium screw (F).

Step 2



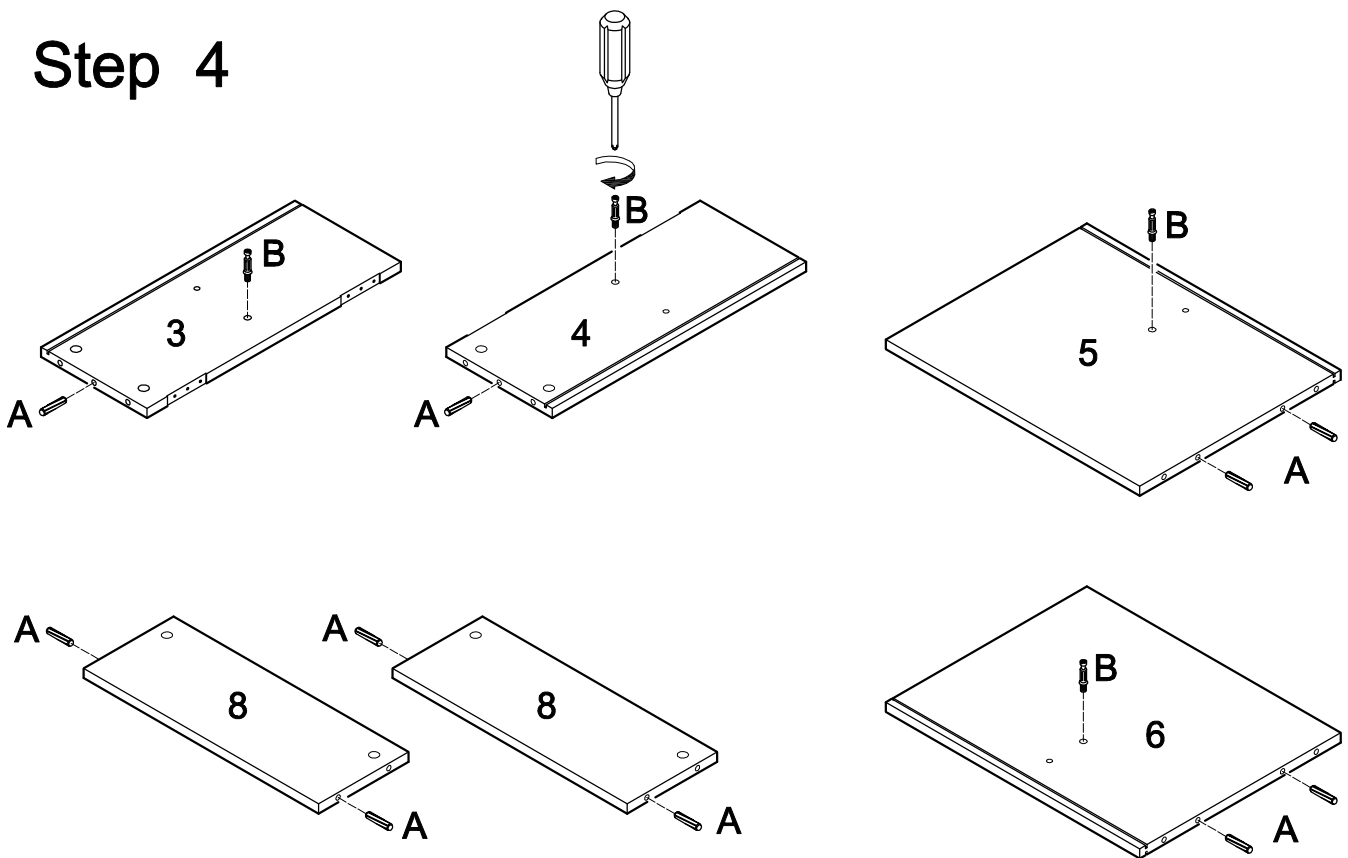
Attach legs (14) to bottom panel (2) using large bolts (G) and wrench (V). Insert dowels (A) into slats (11,12,13). Screw cam bolts (B) into slat (11).

Step 3



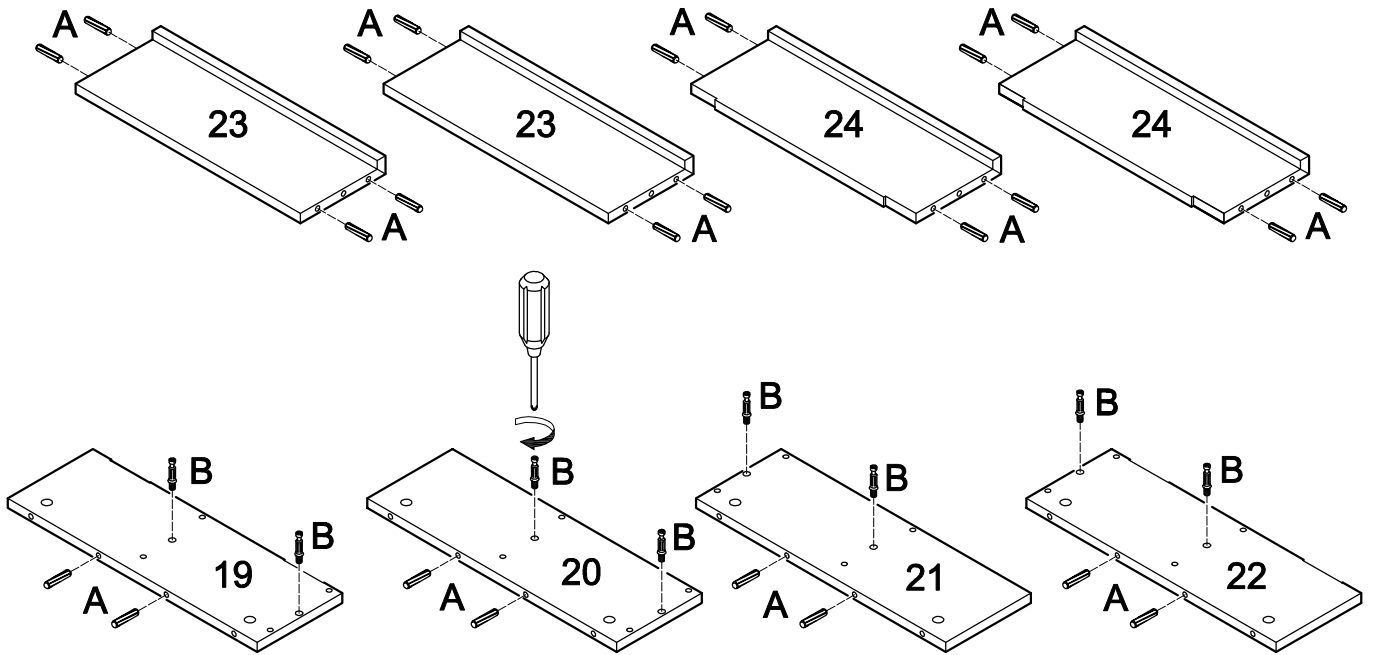
Screw cam bolts (B) into doors (15,16). Attach handles (H) to doors (15,16,17,18) using small bolts (I). Attach door stopper plates (J) to doors (15,16,17,18) using small screws (K). Attach door hinge (R) to door (17) and door hinge (P) to door (18) using small screws (K).

Step 4



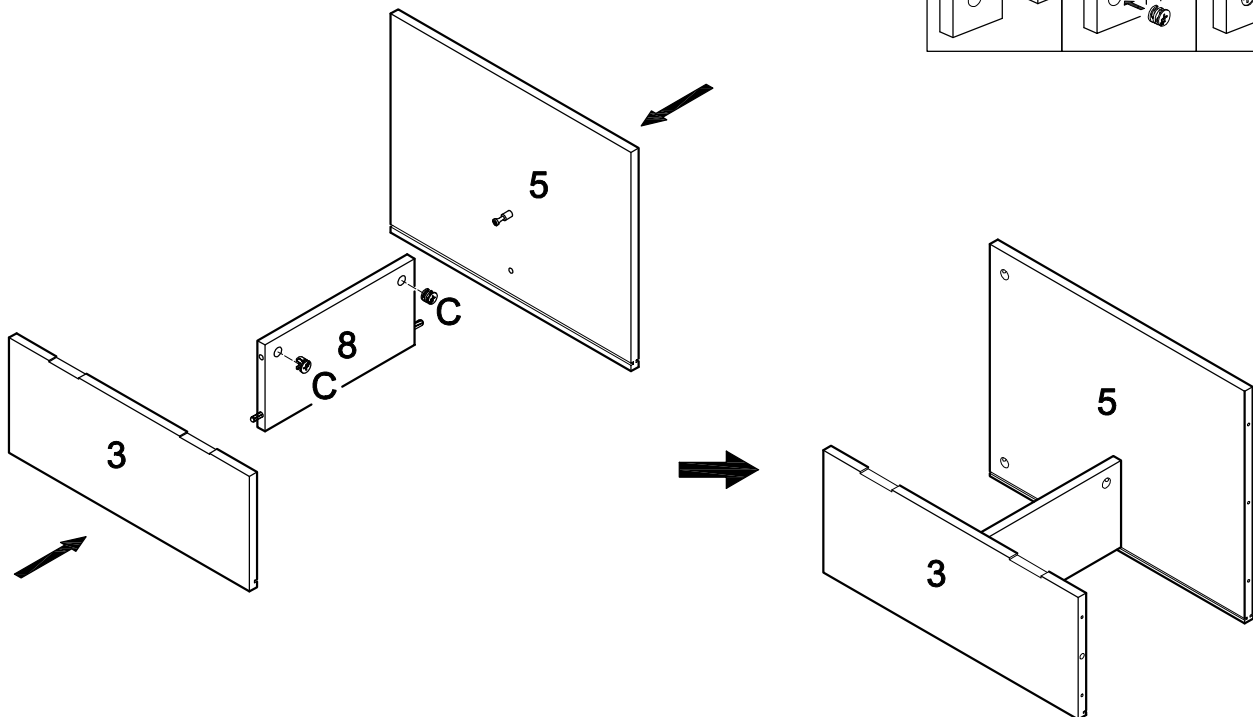
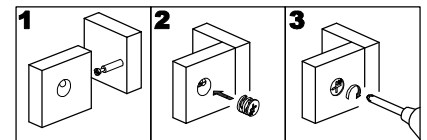
Screw cam bolts (B) into panels (3,4,5,6). Insert dowels (A) into panels (3,4,5,6) and shelves (8).

Step 5



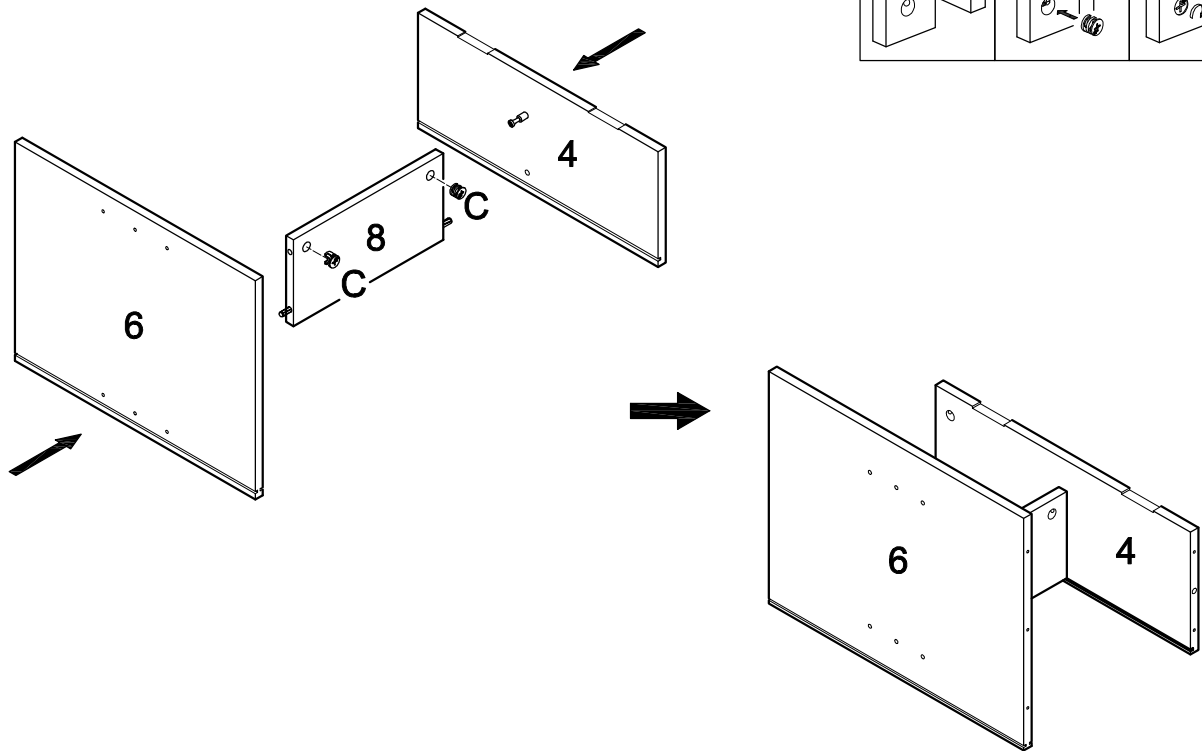
Screw cam bolts (B) into panels (19,20,21,22). Insert dowels (A) into shelves (23,24) and panels (19,20,21,22).

Step 6



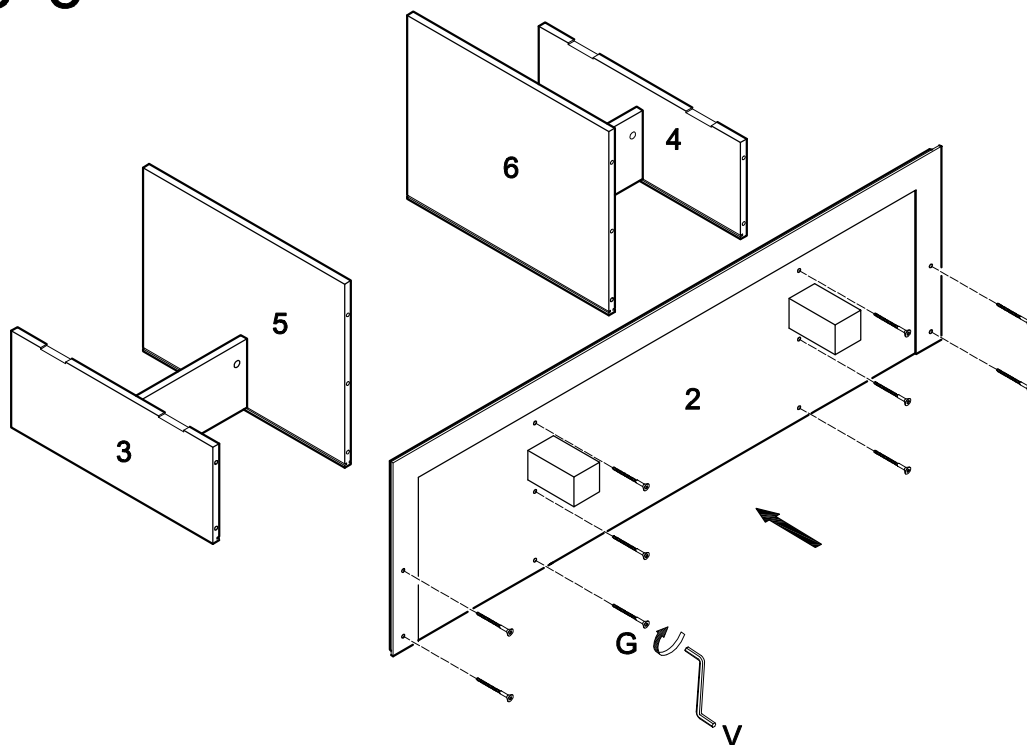
Insert cam locks (C) into panel (8). Attach panels (3,5) to panel (8) using cam bolts and dowels as guides. Tighten cam locks (C) with a screwdriver.

Step 7



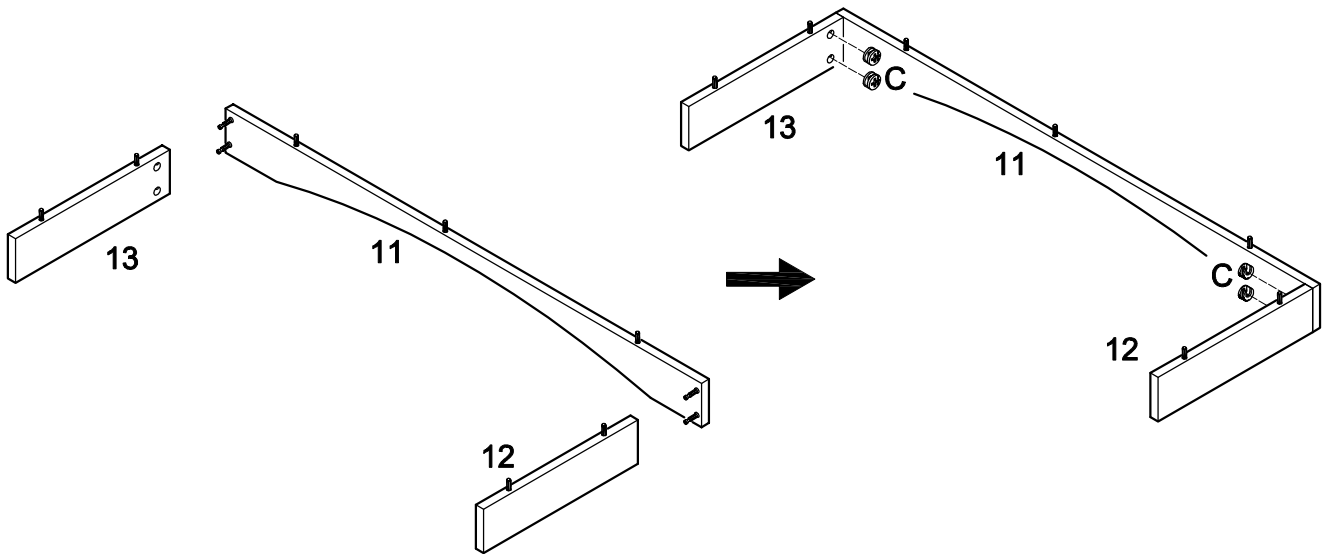
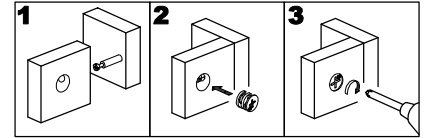
Insert cam locks (C) into panel (8). Attach panels (4,6) to panel (8) using cam bolts and dowels as guides. Tighten cam locks (C) with a screwdriver.

Step 8



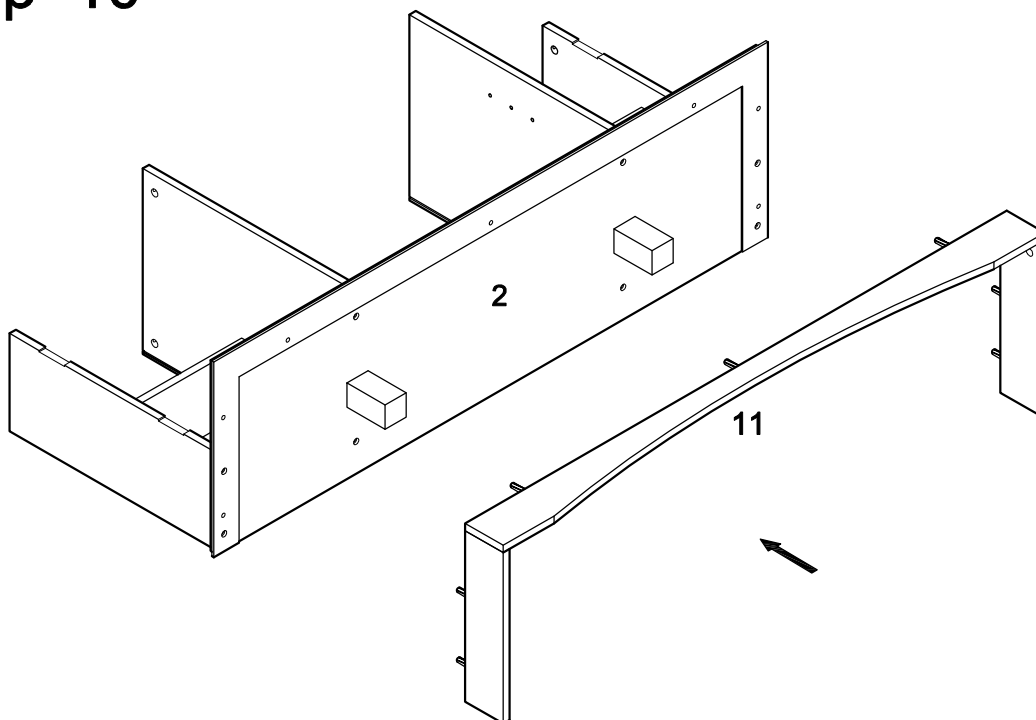
Attach the assemblies from Step 6 and Step 7 to bottom panel (2) using large bolts (G) and wrench (V).

Step 9



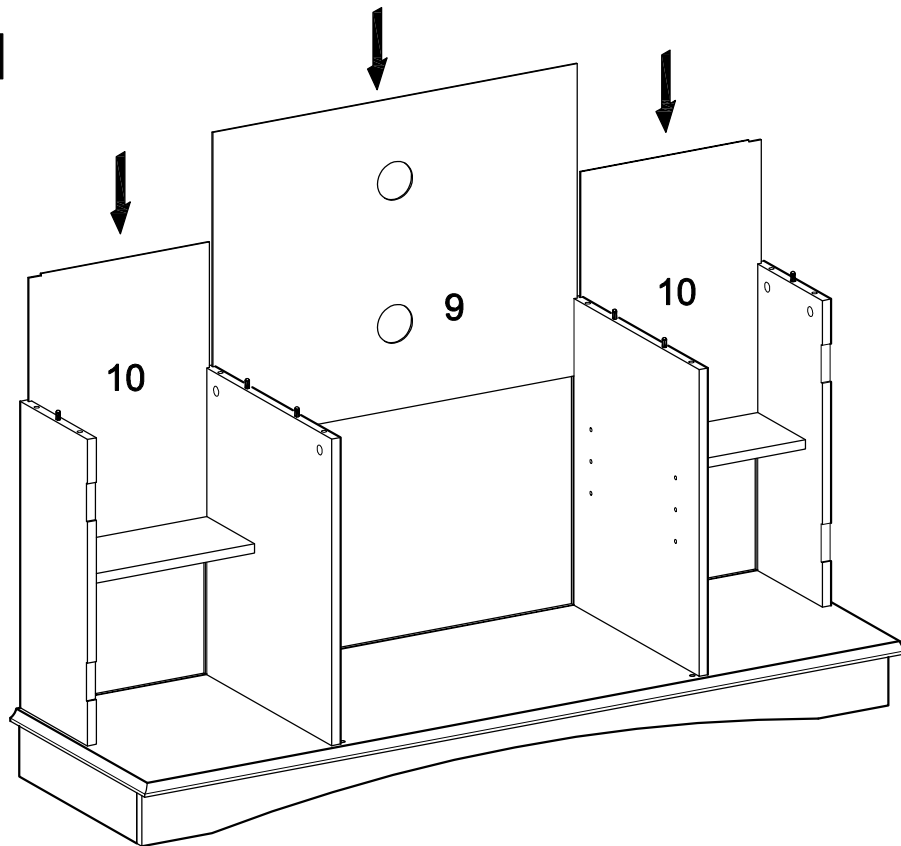
Attach slats (12,13) to slat (11) using cam bolts as guides. Insert cam locks (C) into slats (12,13) and tighten with a screwdriver.

Step 10



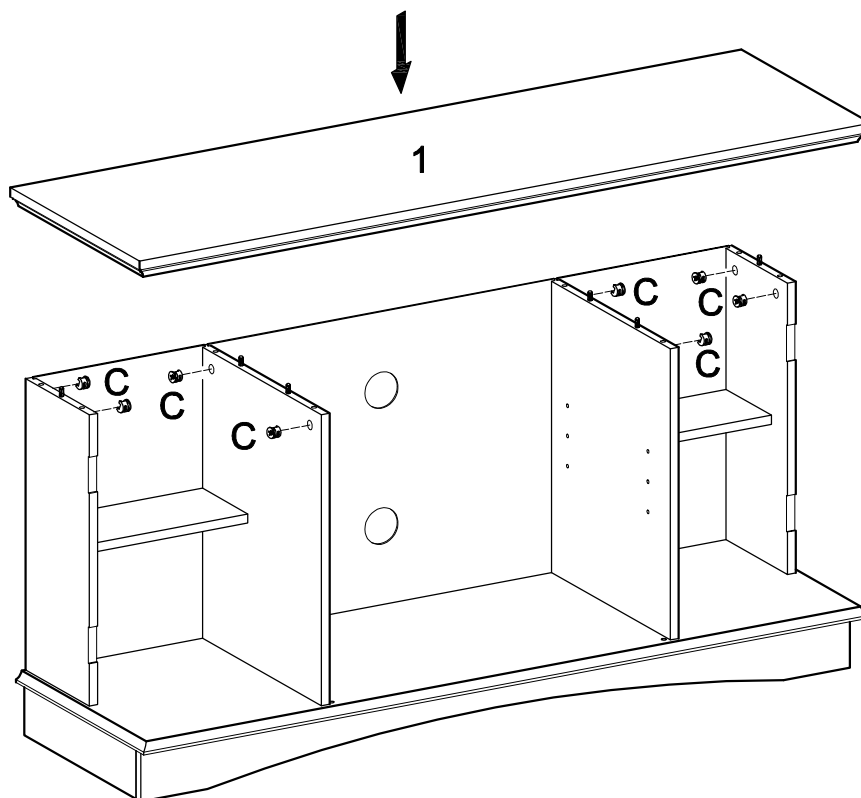
Attach the slat assembly from Step 9 to bottom panel (2) by inserting the dowels of the slat assembly into the pre-drilled holes of bottom panel (2).

Step 11



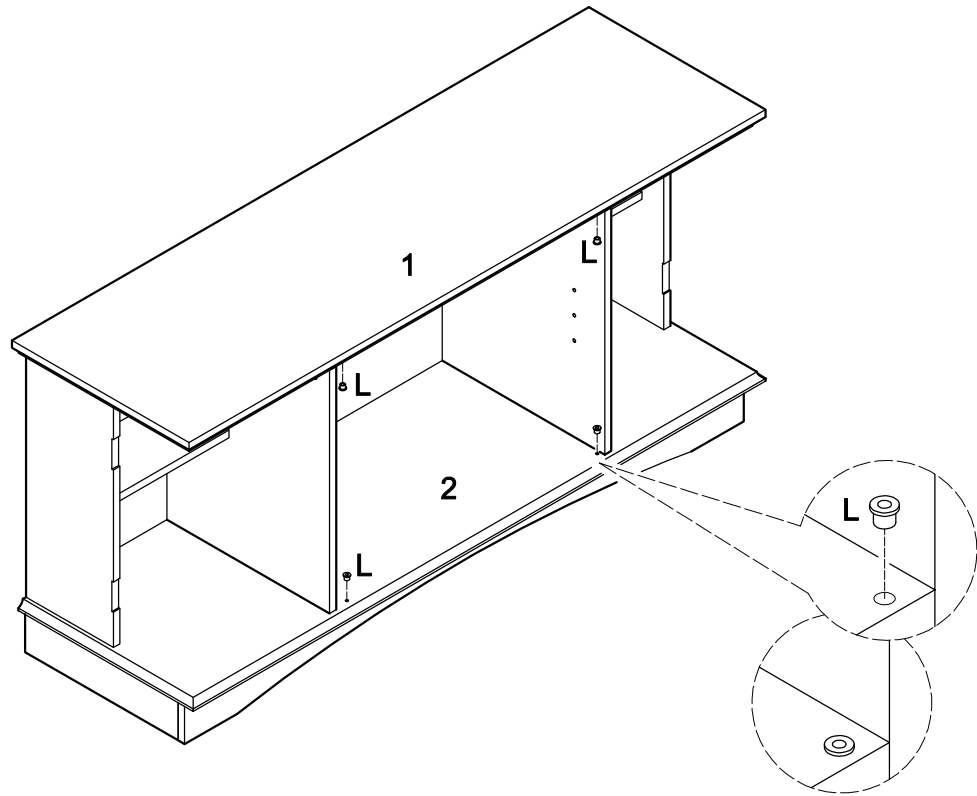
Slide back panels (9,10) into the stand assembly. Note that the back panels will slide down in the grooves along the back of the stand assembly.

Step 12



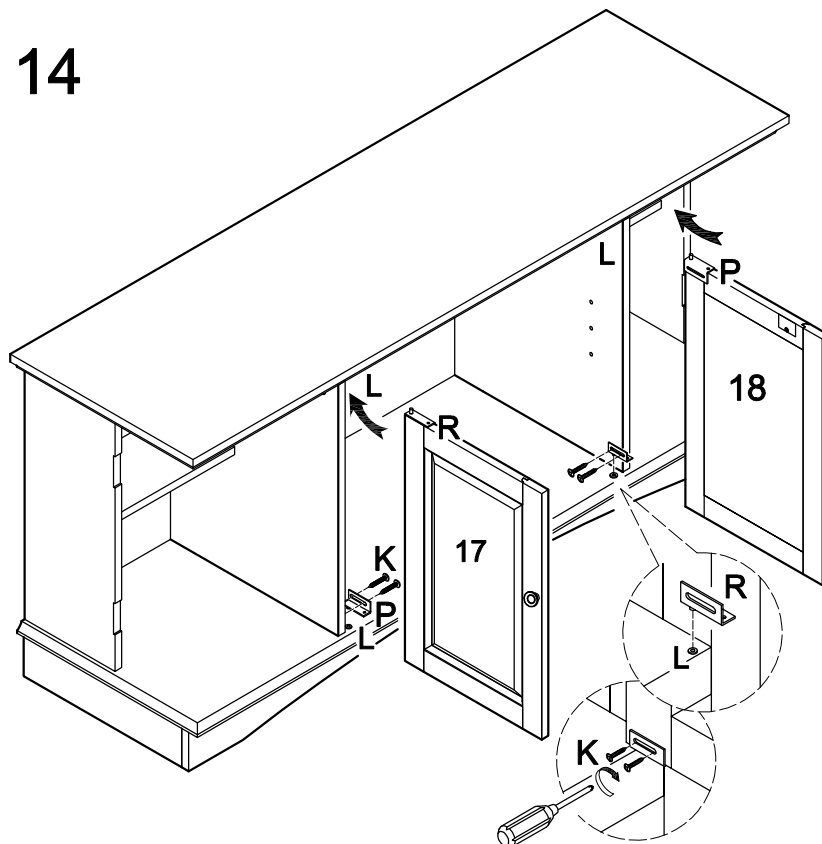
Insert cam locks (C) into the stand assembly. Attach top panel (1) to the stand assembly using cam bolts and dowels as guides. Tighten cam locks (C) with a screwdriver.

Step 13



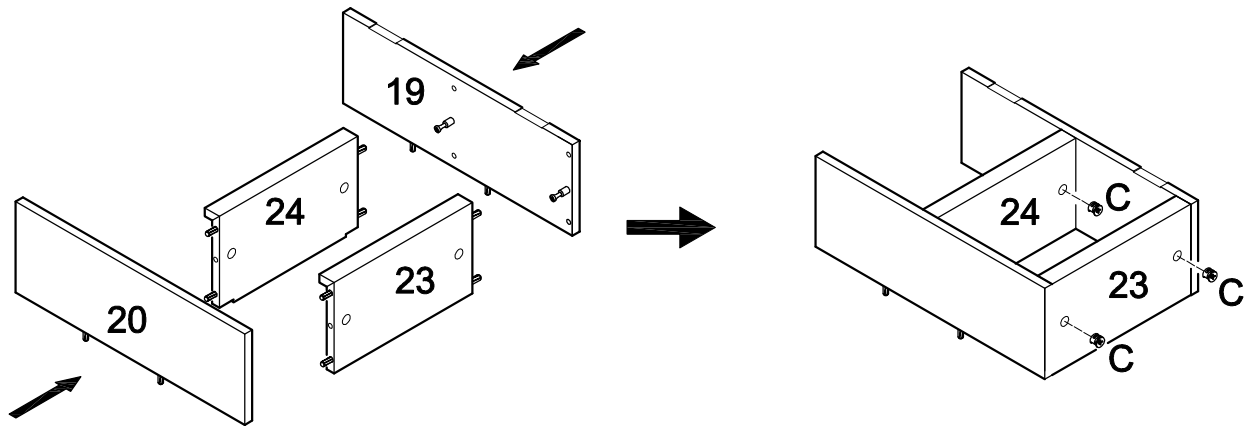
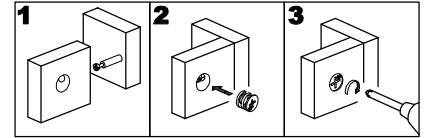
Insert plastic pivots (L) into top panel (1) and bottom panel (2).

Step 14



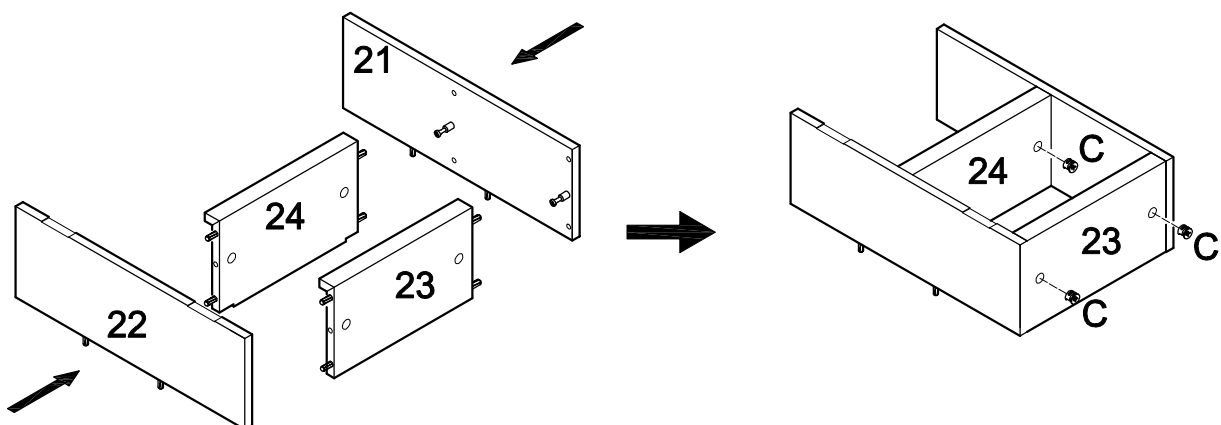
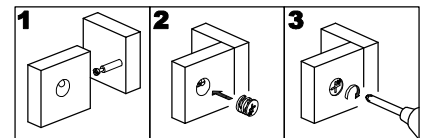
Insert door hinge (P) into bottom left plastic pivot (L). Slide door (17) into place by inserting pre-attached door hinge (R) into top left plastic pivot (L). Attach door hinge (P) to door (17) using small screws (K). Insert door hinge (R) into bottom right plastic pivot (L). Slide door (18) into place by inserting pre-attached door hinge (P) into top right plastic pivot (L). Attach door hinge (R) to door (18) using small screws (K).

Step 15



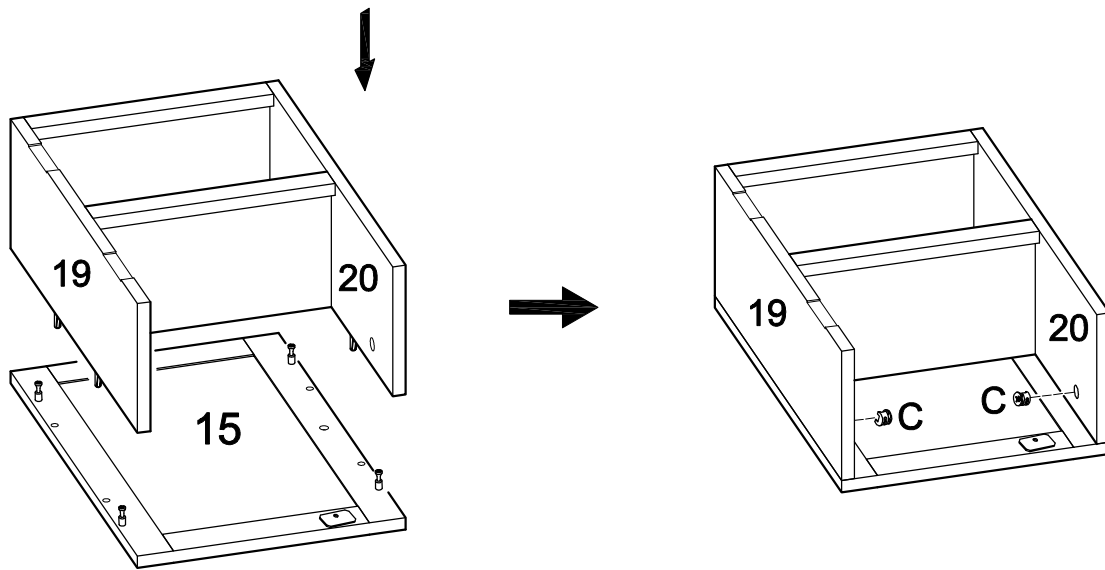
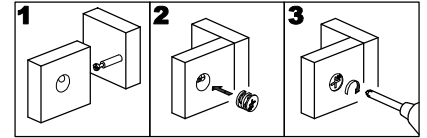
Attach panels (19,20) to shelves (23,24) using cam bolts and dowels as guides. Insert cam locks (C) into shelves (23,24) and tighten with a screwdriver. *Note that two cam locks will be inserted into each shelf.*

Step 16



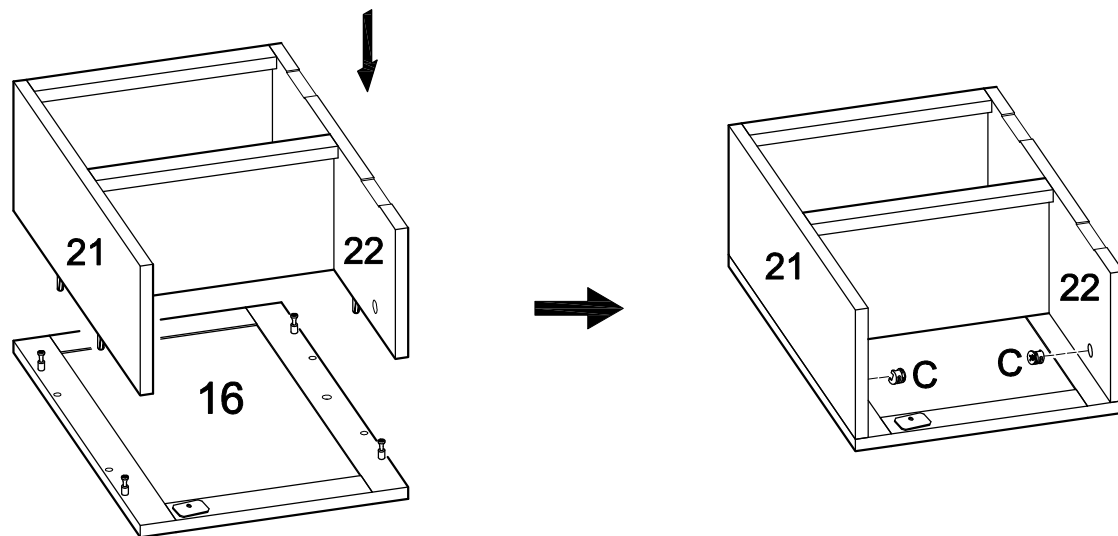
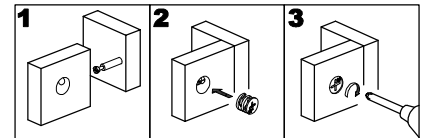
Attach panels (21,22) to shelves (23,24) using cam bolts and dowels as guides. Insert cam locks (C) into shelves (23,24) and tighten with a screwdriver. *Note that two cam locks will be inserted into each shelf.*

Step 17



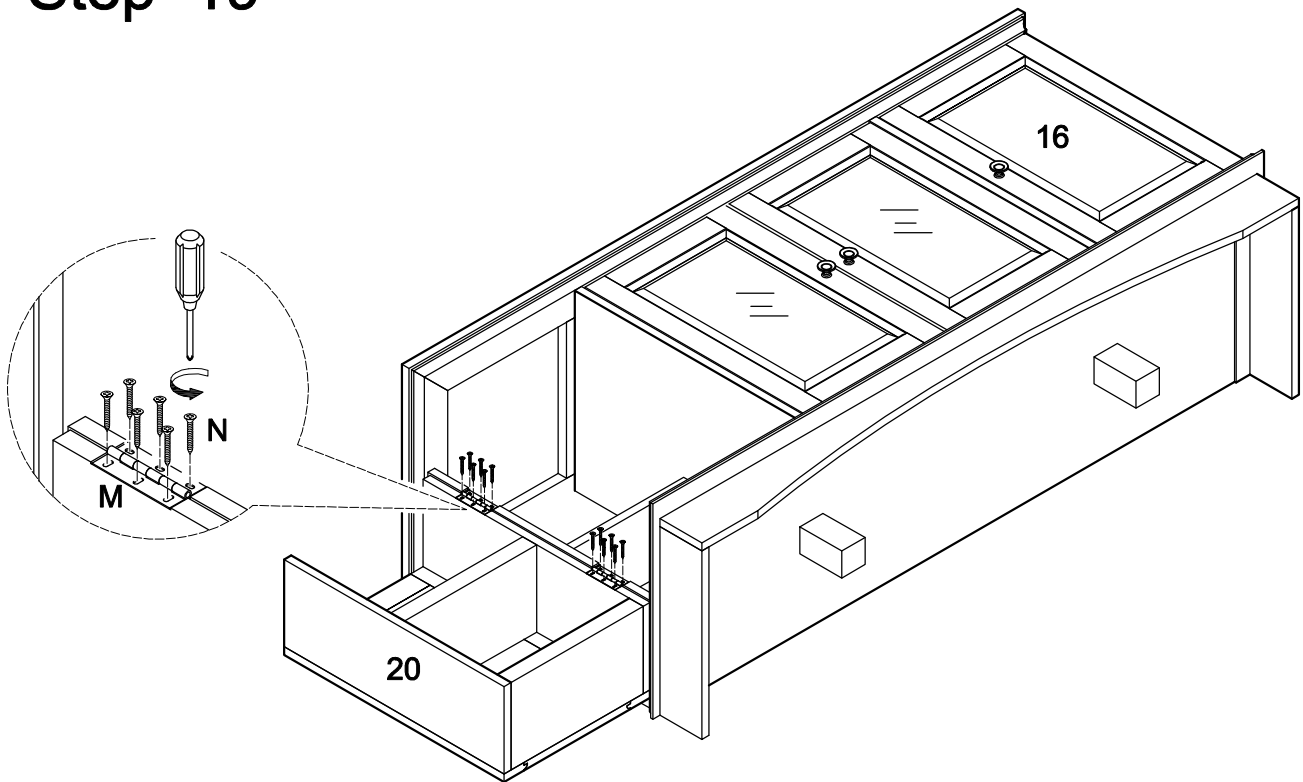
Attach the shelf assembly from Step 15 to door (15) using cam bolts and dowels as guides. Insert cam locks (C) into panels (19,20) and tighten with a screwdriver. *Note that two cam locks will be inserted into each panel.*

Step 18



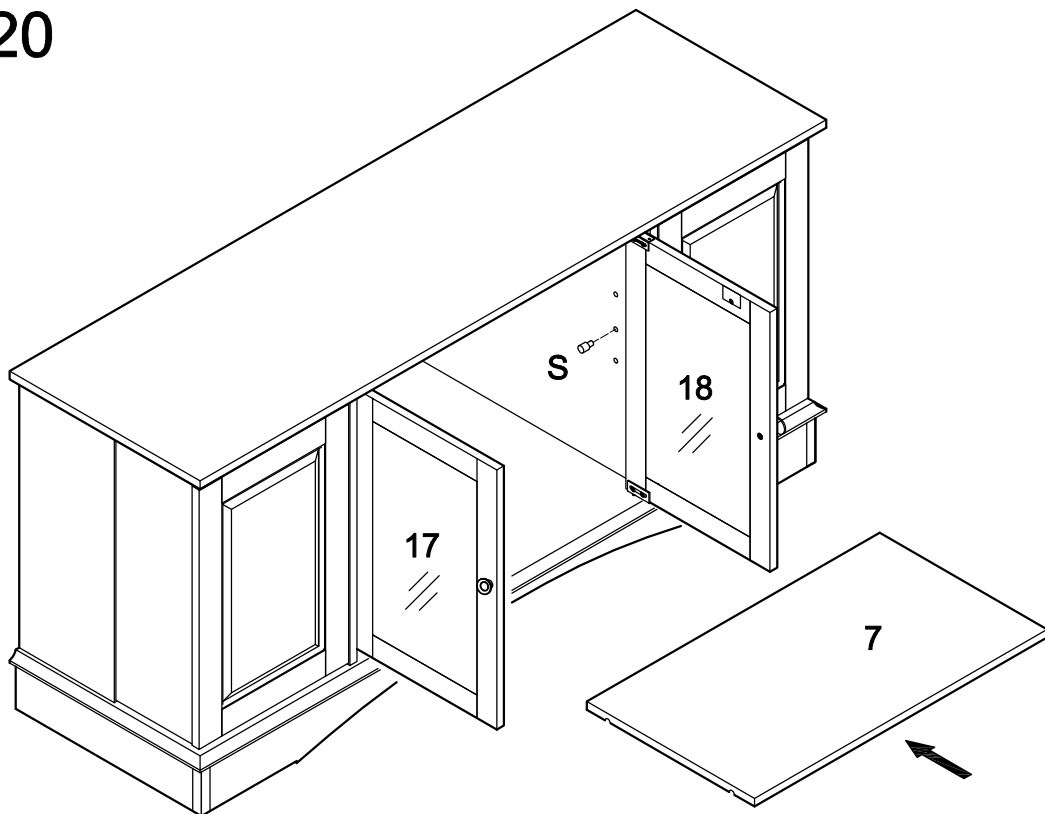
Attach the shelf assembly from Step 16 to door (16) using cam bolts and dowels as guides. Insert cam locks (C) into panels (21,22) and tighten with a screwdriver. *Note that two cam locks will be inserted into each panel.*

Step 19



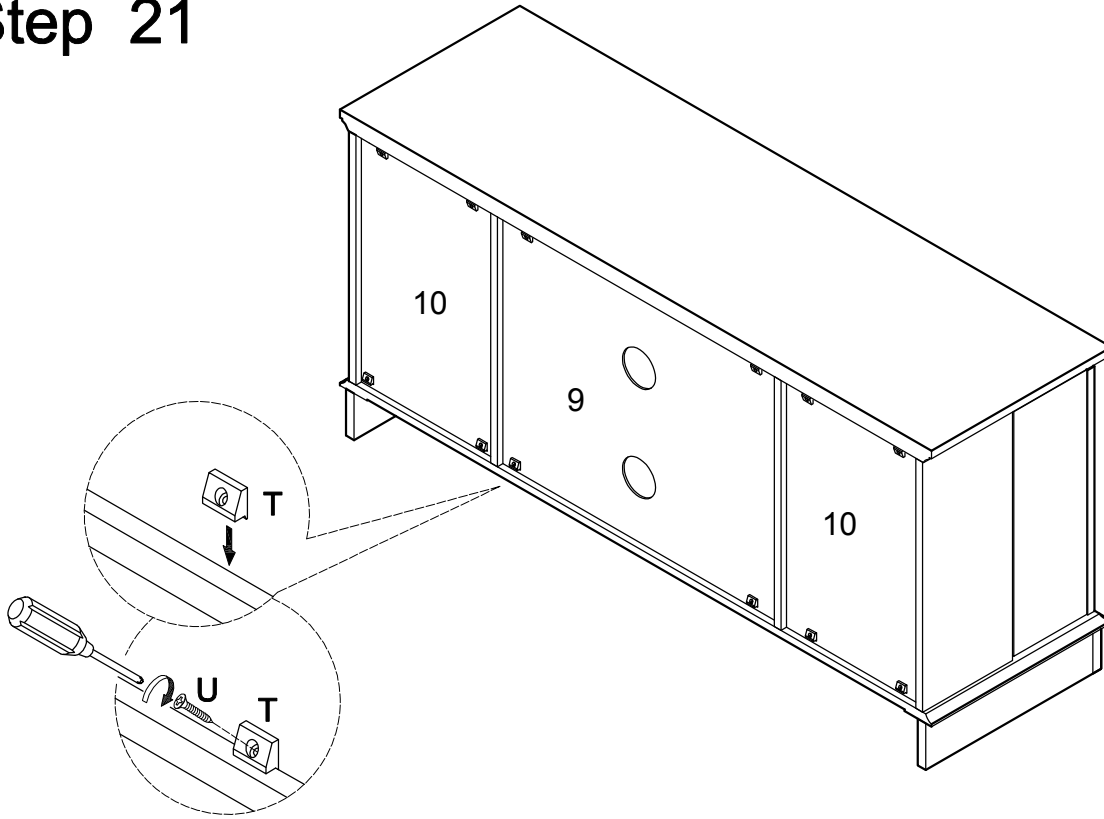
Align the door assembly from Step 17 with the left side of the stand and attach to the stand using standard door hinges (M) and extra-large screws (N). Repeat this process on the right side of the stand using the door assembly from Step 18.

Step 20



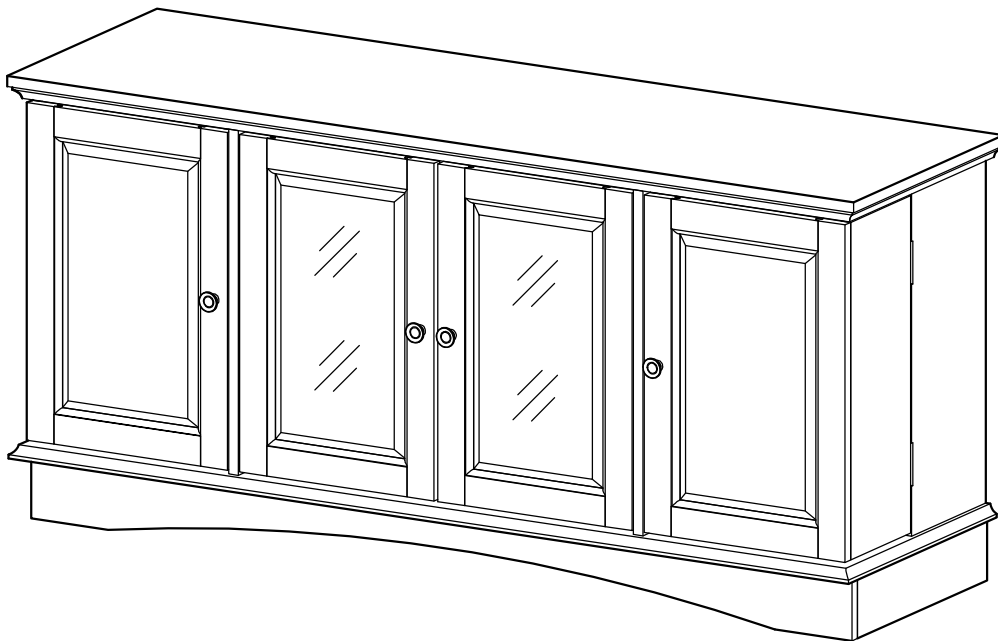
Insert shelf support pins (S) into the stand interior at desired shelf height. Carefully place shelf (7) on shelf support pins (S).

Step 21



Secure back panels (9,10) using plastic wedges (T) and large screws (U).

Step 22



Final Assembly

Free Manuals Download Website

<http://myh66.com>

<http://usermanuals.us>

<http://www.somanuals.com>

<http://www.4manuals.cc>

<http://www.manual-lib.com>

<http://www.404manual.com>

<http://www.luxmanual.com>

<http://aubethermostatmanual.com>

Golf course search by state

<http://golfingnear.com>

Email search by domain

<http://emailbydomain.com>

Auto manuals search

<http://auto.somanuals.com>

TV manuals search

<http://tv.somanuals.com>