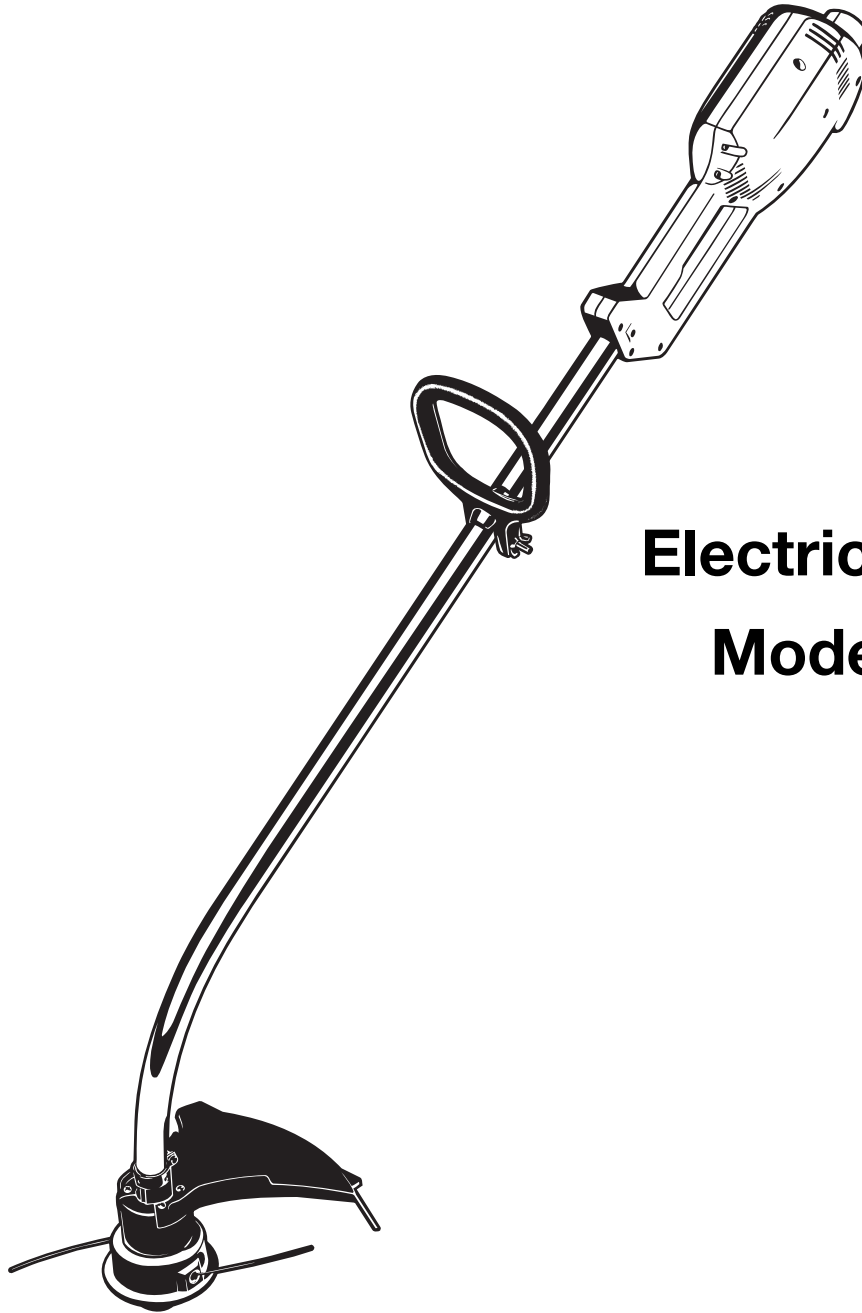




# Operator's Manual



**Electric Trimmer  
Model TB50**



**IMPORTANT: READ SAFETY RULES AND INSTRUCTIONS CAREFULLY**

P/N 769-02584

(6/06)

# INTRODUCTION

## THANK YOU

Thank you for buying this quality product. This modern outdoor power tool will provide many hours of useful service. You will find it to be a great labor-saving device. This operator's manual provides you with easy-to-understand operating instructions. Read the whole manual and follow all the instructions to keep your new outdoor power tool in top operating condition.

## PRODUCT REFERENCES, ILLUSTRATIONS AND SPECIFICATIONS

All information, illustrations, and specifications in this manual are based on the latest product information available at the time of printing. We reserve the right to make changes at any time without notice.

Copyright© 2004 MTD SOUTHWEST INC, All Rights Reserved.

## SERVICE INFORMATION

Service on this unit both within and after the warranty period should be performed only by an authorized and approved service dealer.

For service call **1-800-520-5520** to obtain a list of authorized service dealers near you. For more details about your unit, visit our website at **www.troybilt.com**.

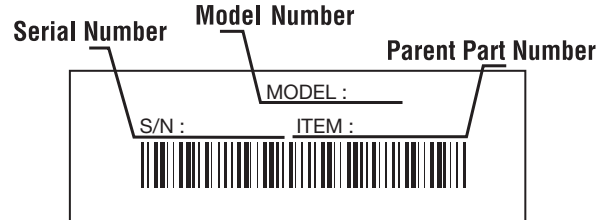
If you have difficulty assembling this product or have any questions regarding the controls, operation or maintenance of this unit, please call the Customer Support Department.

**DO NOT RETURN THE UNIT TO THE RETAILER. PROOF OF PURCHASE WILL BE REQUIRED FOR WARRANTY SERVICE.**

## TABLE OF CONTENTS

Service Information .....	2
Rules for Safe Operation .....	3
Know Your Unit .....	6
Assembly Instructions .....	7
Operating Instructions .....	8
Maintenance and Repair Instructions .....	10
Troubleshooting Chart .....	13
Specifications .....	13
Warranty Information .....	14
Parts List .....	Inside Back Cover

Before beginning, locate the unit's model plate. It lists the model and serial numbers of your unit. Refer to the sample plate below and copy the information for future reference.



**Copy the model and parent part number here:** \_\_\_\_\_

**Copy the serial number here:** \_\_\_\_\_

*Make sure you carefully read and understand this manual before starting or operating this equipment.*

THIS PRODUCT IS COVERED BY ONE OR MORE U.S. PATENTS. OTHER PATENTS PENDING.

# RULES FOR SAFE OPERATION

The purpose of safety symbols is to attract your attention to possible dangers. The safety symbols, and their explanations, deserve your careful attention and understanding. The safety warnings do not by themselves eliminate any danger. The instructions or warnings they give are not substitutes for proper accident prevention measures.

SYMBOL	MEANING
--------	---------



**SAFETY ALERT:** Indicates danger, warning or caution. Attention is required in order to avoid serious personal injury. May be used in conjunction with other symbols or pictographs.

**NOTE:** Advises you of information or instructions vital to the operation or maintenance of the equipment.

SYMBOL	MEANING
--------	---------



**DANGER:** Failure to obey a safety warning will result in serious injury to yourself or to others. Always follow the safety precautions to reduce the risk of fire, electric shock and personal injury.



**WARNING:** Failure to obey a safety warning can result in injury to yourself and others. Always follow the safety precautions to reduce the risk of fire, electric shock and personal injury.



**CAUTION:** Failure to obey a safety warning may result in property damage or personal injury to yourself or to others. Always follow the safety precautions to reduce the risk of fire, electric shock and personal injury.

## • IMPORTANT SAFETY INSTRUCTIONS •

### READ ALL INSTRUCTIONS BEFORE OPERATING



**WARNING:** When using the unit, you must follow the safety rules. Please read these instructions before operating the unit in order to ensure the safety of the operator and any bystanders. Please keep these instructions for later use.

- Read the instructions carefully. Be familiar with the controls and proper use of the unit.
- Do not operate this unit when tired, ill or under the influence of alcohol, drugs or medication.
- Children and teens under the age of 15 must not use the unit, except for teens guided by an adult.
- Inspect the unit before use. Replace damaged parts. Make sure all fasteners are in place and secure. Replace cutting attachment parts that are cracked, chipped or damaged in any way. Make sure the cutting attachment is properly installed and securely fastened. Be sure that the cutting attachment shield is properly attached, and positioned as recommended. Failure to do so can result in personal injury to the operator and bystanders, as well as damage to the unit.



**DANGER:** When using electric gardening appliances, basic safety precautions should always be followed to reduce the risk of fire, electric shock and personal injury. Carefully read and understand the entire operator's manual before using your unit. Pay close attention to the operating instructions and safety warnings.

- This unit was not designed to be used as a brushcutter. Do not attach or operate this unit with any type of brushcutting blade or brushcutting attachment.
- Use only a 0.065-inch (1.65 mm) diameter original equipment manufacturer replacement line. Never use metal-reinforced line, wire, chain or rope. These can break off and become dangerous projectiles.
- Be aware of risk of injury to the head, hands and feet.
- Clear the area to be cut before each use. Remove rocks, broken glass, nails, wire, string and other objects which may be thrown or become entangled in the cutting attachment. Clear the area of children, bystanders and pets; keep them outside a 50-foot (15 m.) radius, at a minimum. Even then, they are still at risk from thrown objects. Encourage bystanders to wear eye protection. If you are approached, stop the unit immediately.

### ELECTRICAL SAFETY WARNINGS



**WARNING:** To reduce the risk of electrical shock, use only SW-A, SOW-A, STW-A, STOW-A, SJW-A, SJOW-A, SJTW-W or SJTOW-A cord types.

- Since the tool is double-insulated, a 2-wire extension cord (an extension cord without a ground) may be used. A 3-wire extension cord (an extension cord with a ground) that uses a NEMA type connector (parallel blade, U ground) is recommended. Extension cords are available from your local retailer. Use only round-jacketed extension cords approved for outdoor use.
- This tool is double-insulated. Repair or replace damaged cords.

# RULES FOR SAFE OPERATION

- To reduce the risk of electrical shock, this unit has a polarized plug (one blade is wider than the other). This unit will fit with a polarized plug in one way only. If the plug does not fit fully into the unit, reverse the plug. If it still does not fit, use a cord with the correct connection. Do not modify the unit in any way.

MINIMUM WIRE SIZE FOR EXTENSION CORDS FOR 120 VOLT APPLIANCES USING 0-12 AMPS*				
Cord length (ft.)	25	50	100	150
Wire size (AWG)*	16	16	16	14

\*The wire size (AWG) for appliances using 12 to 16 amps is 14 AWG for 25 feet, 12 AWG for 50 feet, and not recommended for 100 or 150 feet.

- **CORD SETS:** Make sure your cord set is in good condition, with a cord that is heavy enough to carry the current that your unit will draw. An undersized cord set will cause a drop in line voltage resulting in a loss of power, as well as overheating. The table shown above illustrates the correct size to use depending on the cord length and nameplate amperage rating. If in doubt, use the next heavier size line gauge. The smaller the gauge number, the heavier the cord. To prevent the cord from disconnecting from the unit, use the cord hook shown in the *Operating Instructions*.
- Ground Fault Circuit Interrupter (GFCI) protection should be provided on the circuit(s) or outlet(s) that will be used for the unit. Use receptacles with built-in GFCI protection for an extra measure of safety.
- Do not abuse the power cord. Never carry the unit by the cord or yank the cord to disconnect from receptacle. Keep the cord from heat, oil and sharp edges.
- A nameplate on your unit indicates the voltage used. Never connect the unit to an AC voltage that differs from this voltage.
- Inspect all extension cords and the unit power connection periodically. Look closely for deterioration, cuts or cracks in the insulation. Also inspect the connections for damage. Repair or replace the cords if any defects appear.
- Avoid dangerous environments. Never operate your unit in damp or wet conditions. Moisture is a shock hazard.
- Do not use the unit in the rain.
- Do not handle the plug or the unit with wet hands.

## WHILE OPERATING

- Wear safety glasses or goggles that are marked as meeting ANSI Z87.1-1989 standards. Also wear ear/hearing protection when operating this unit. Wear a face or dust mask if the operation is dusty. Long sleeve shirts are recommended.
- Wear heavy, long pants, boots and gloves. Do not wear loose clothing, jewelry, short pants, sandals or go barefoot. Secure hair above shoulder level.

- The cutting attachment shield must always be in place while operating the unit. Do not operate unit without both trimming lines extended, and the proper line installed. Do not extend the trimming line beyond the length of the shield.
- Adjust the D-handle to your size to provide the best grip.
- Be sure the cutting attachment is not in contact with anything before starting the unit.
- Use the unit only in daylight or good artificial light.
- Avoid accidental starting. Do not carry around a unit that is plugged in with your finger on the trigger switch. Be sure the switch is in the off position when plugging in the unit.
- Use the right tool. Only use this tool for its intended purpose.
- Do not overreach. Always keep proper footing and balance.
- Always hold the unit with both hands when operating. Keep a firm grip on both handles or grips.
- Keep hands, face, and feet at a distance from all moving parts. Do not touch or try to stop the cutting attachment when it rotates.
- Always stop the motor when cutting is delayed or when walking from one cutting location to another.
- If you strike or become entangled with a foreign object, stop the motor immediately and check for damage. Do not operate before repairing damage. Do not operate the unit with loose or damaged parts.
- Stop the unit and unplug it for maintenance or repair.
- Use only genuine original equipment manufacturer replacement parts and accessories for this unit. These are available from your authorized service dealer. Use of any non-original parts or accessories could lead to serious injury to the user, or damage to the unit, and void your warranty.
- Keep unit clean of vegetation and other materials. They may become lodged between the cutting attachment and shield.

## OTHER SAFETY WARNINGS

- Be sure to secure the unit while transporting.
- Store the unit in a dry area, locked up to prevent unauthorized use or damage, and stored in a high place out of the reach of children.
- Never douse or squirt the unit with water or any other liquid. Keep handles dry, clean and free from debris. Clean after each use. See the *Cleaning and Storage* instructions.
- Keep these instructions. Refer to them often and use them to instruct other users. If you loan someone this unit, also loan them these instructions.

## SAVE THESE INSTRUCTIONS

# RULES FOR SAFE OPERATION

## SAFETY AND INTERNATIONAL SYMBOLS

This operator's manual describes safety and international symbols and pictographs that may appear on this product. Read the operator's manual for complete safety, assembly, operating and maintenance and repair information.

### SYMBOL

### MEANING



- **SAFETY ALERT SYMBOL**

Indicates danger, warning, or caution. May be used in conjunction with other symbols or pictographs.



- **WARNING - READ OPERATOR'S MANUAL**

Read the Operator's Manual(s) and follow all warnings and safety instructions. Failure to do so can result in serious injury to the operator and/or bystanders.



- **WEAR EYE AND HEARING PROTECTION**

**WARNING:** Thrown objects and loud noise can cause severe eye injury and hearing loss. Wear eye protection meeting ANSI Z87.1-1989 standards and ear protection when operating this unit. Use a full face shield when needed.

### SYMBOL

### MEANING



- **KEEP BYSTANDERS AWAY**

**WARNING:** Keep all bystanders, especially children and pets, at least 50 feet (15 m.) from the operating area.



- **THROWN OBJECTS AND ROTATING CUTTER CAN CAUSE SEVERE INJURY**

**WARNING:** Do not operate without the cutting attachment shield in place. Keep away from the rotating cutting attachment.



- **DOUBLE INSULATED**

Two systems of insulation are provided instead of grounding. There is no grounding provided and no means of grounding should be added to this unit.

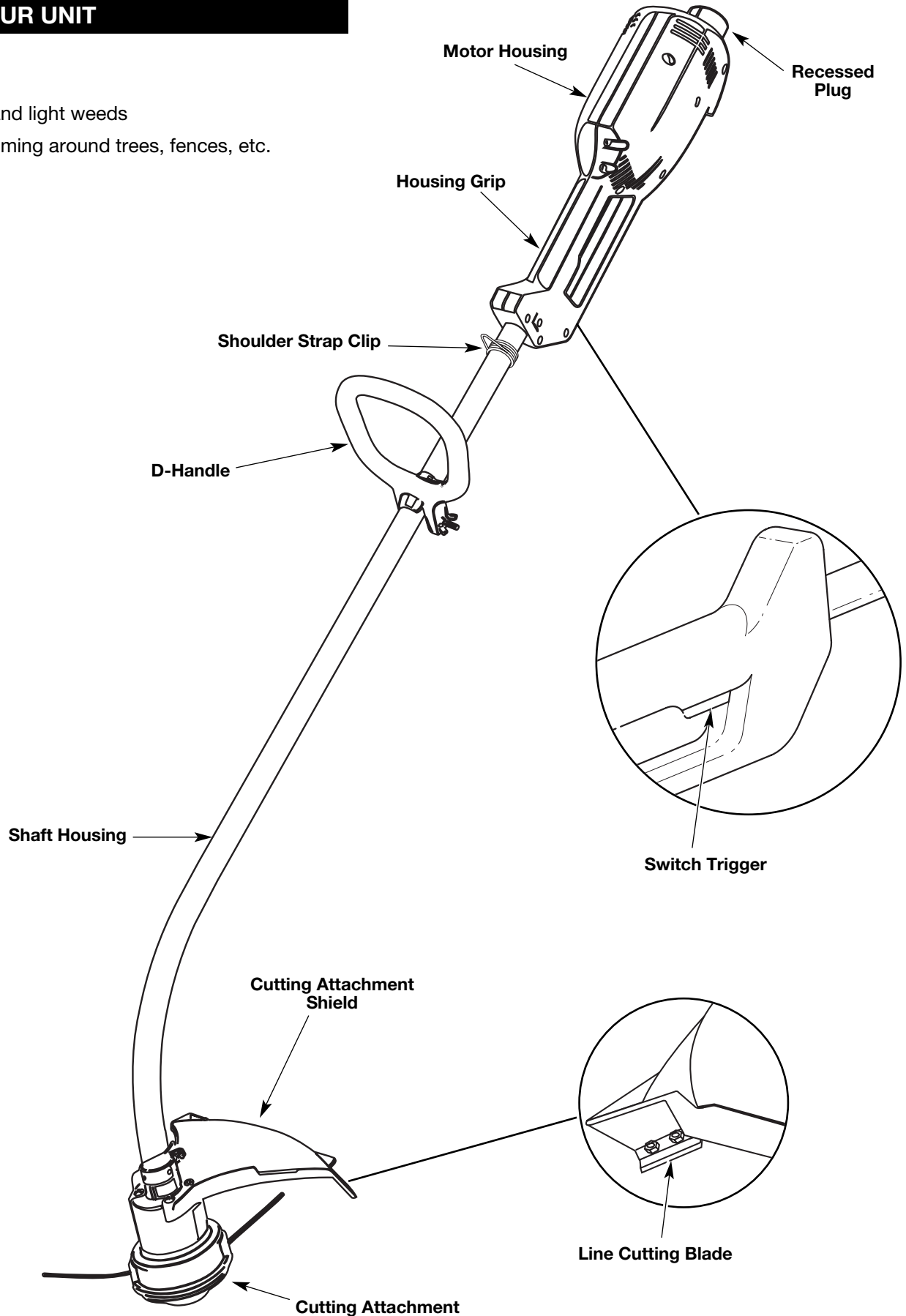
# RULES FOR SAFE OPERATION

## KNOW YOUR UNIT

### APPLICATIONS

As a trimmer:

- Cutting grass and light weeds
- Decorative trimming around trees, fences, etc.



# ASSEMBLY INSTRUCTIONS

## INSTALL AND ADJUST THE D-HANDLE

1. Push the D-handle down onto the shaft housing and push it on the boom (Fig. 1). The squared bolt hole in the handle is to the right.
2. Insert the shoulder bolt into the squared hole in the handle and push through. On the left side of the handle, place the washer on the bolt, then screw the wing nut onto the bolt. Do not tighten until you make the handle adjustment.
3. Rotate the D-handle to place the grip above the top of the shaft housing. Place it a minimum of 6 inches (15.24 cm) from the end of the housing.

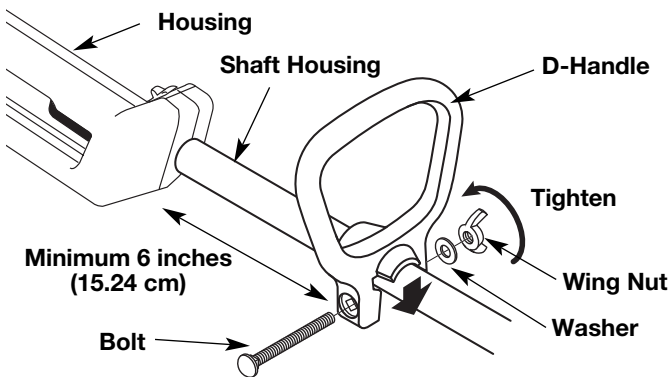


Fig. 1

4. While holding the unit in the operating position (Fig. 2), position the D-handle to the location that provides you the best grip.
5. Tighten the wing nut until the D-handle is secure.



Fig. 2

## INSTALL THE CUTTING ATTACHMENT SHIELD

Use the following instructions if the cutting attachment shield on your unit is not installed.



**WARNING:** Never operate the trimmer without the cutting attachment shield in place to prevent serious personal injury.

1. Place the cutting attachment shield onto the shaft housing above the clamp assembly (Fig. 3).
2. Push the cutting attachment shield down to the top of the cutting attachment assembly and then rotate the cutting attachment shield until the screw holes align and the guard fits into the recessed pocket (Fig. 4).
3. Install the screws with a Phillips screwdriver (Fig. 5).

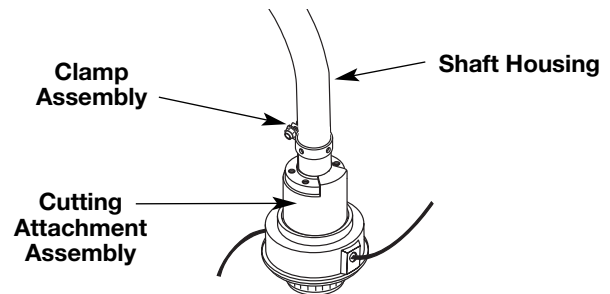


Fig. 3

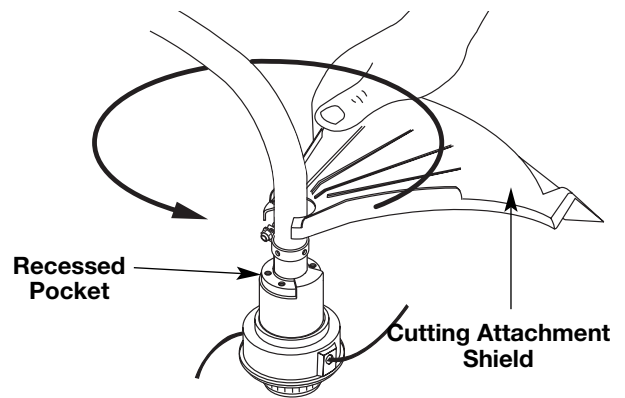


Fig. 4

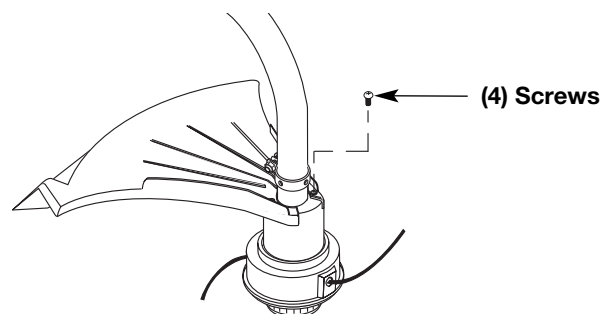


Fig. 5

# OPERATING INSTRUCTIONS

## CONNECTING THE CORD

Use the cord hook when connecting the extension cord to the power cord outlet. This helps prevent any disconnection.

1. Make a narrow loop with the extension cord.
2. Push the loop through the opening and move it onto the hook on the motor housing (Fig. 6).
3. Plug the cord properly into the socket.

Only use outdoor-approved extension cords. Cord sets are specified in the *Important Safety Information* section.

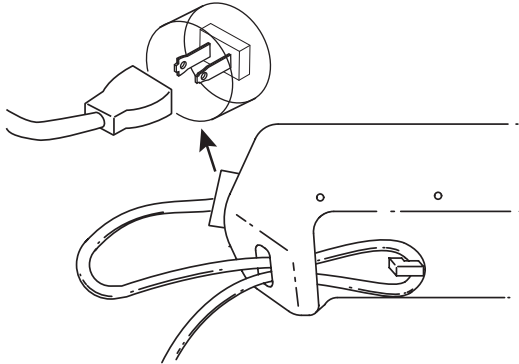


Fig. 6

## STARTING/STOPPING INSTRUCTIONS

Once the unit is plugged in, stand in the operating position (Fig. 8). Squeeze the trigger to start the unit. To stop the unit, release the trigger (Fig. 7).



**WARNING:** Always wear eye, hearing, foot and body protection to reduce the risk of injury when operating this unit.

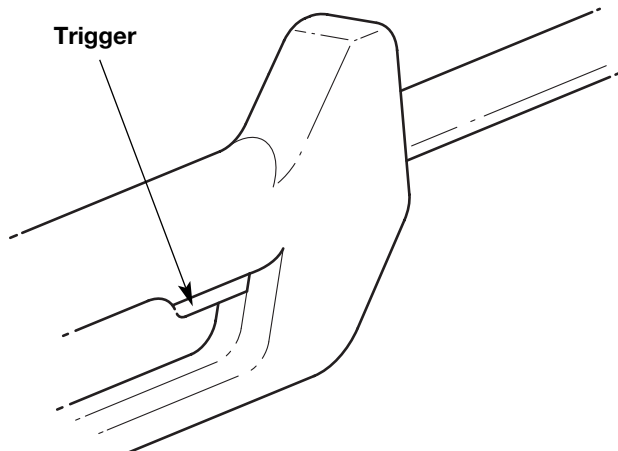


Fig. 7

## HOLDING THE UNIT

Before operating the unit, stand in the operating position (Fig. 8). Check for the following:

- The operator is wearing eye protection and proper clothing
- With a slightly-bent right arm, the operator's hand is holding the shaft grip
- The operator's left arm is straight, the left hand holding the D-handle
- The unit is at waist level
- The cutting attachment is parallel to the ground and easily contacts the grass without the need to bend over



Fig. 8

## ADJUSTING TRIMMING LINE LENGTH

The Bump Head™ cutting attachment allows you to release trimming line without stopping the motor. To release more line, lightly tap the cutting attachment on the ground (Fig. 9) while operating the trimmer at high speed.

**NOTE:** Always keep the trimming line fully extended. Line release becomes more difficult as cutting line becomes shorter

Each time the head is bumped, about 1 inch (25.4 mm) of trimming line releases. A blade in the cutting attachment shield will cut the line to the proper length if any excess line is released.



# OPERATING INSTRUCTIONS

For best results, tap the bump knob on bare ground or hard soil. If you attempt a line release in tall grass, the motor may stop. Always keep the trimming line fully extended. Line release becomes more difficult when the cutting line gets shorter.

**NOTE:** Do not rest the Bump Head™ on the ground while the unit is running.



**CAUTION:** Do not remove or alter the line cutting blade assembly. Excessive line length will make the motor overheat. This may lead to serious personal injury or damage to the unit.

Some line breakage will occur from:

- Entanglement with foreign matter
- Normal line fatigue
- Attempting to cut thick, stalky weeds
- Forcing the line into objects such as walls or fence posts

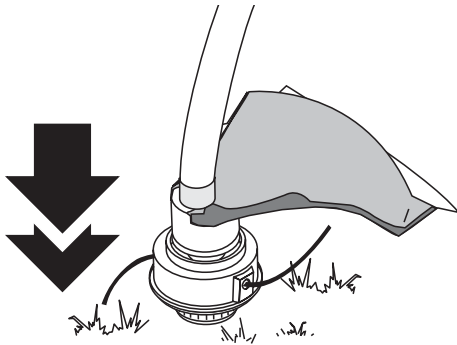


Fig. 9

## TIPS FOR BEST TRIMMING RESULTS

- Keep the cutting attachment parallel to the ground.
- Do not force the cutting attachment. Allow the tip of the line to do the cutting, especially along walls. Cutting with more than the tip will reduce cutting efficiency and may overload the motor.
- Cut grass over 8 inches (200 mm) by working from top to bottom in small increments to avoid premature line wear or motor drag.

- Cut from right to left whenever possible. Cutting to the left improves the unit's cutting efficiency. Clippings are thrown away from the operator.
- Slowly move the trimmer into and out of the cutting area at the desired height. Move either in a forward-backward or side-to-side motion. Cutting shorter lengths produces the best results.
- Trim only when grass and weeds are dry.
- The life of your cutting line is dependent upon:
  - Following the trimming techniques previously explained
  - What vegetation is cut
  - Where vegetation is cut

For example, the line will wear faster when trimming against a foundation wall as opposed to trimming around a tree.

## DECORATIVE TRIMMING

Decorative trimming is accomplished by removing all vegetation around trees, posts, fences and more.

Rotate the whole unit so that the cutting attachment is at a 30° angle to the ground (Fig. 10).

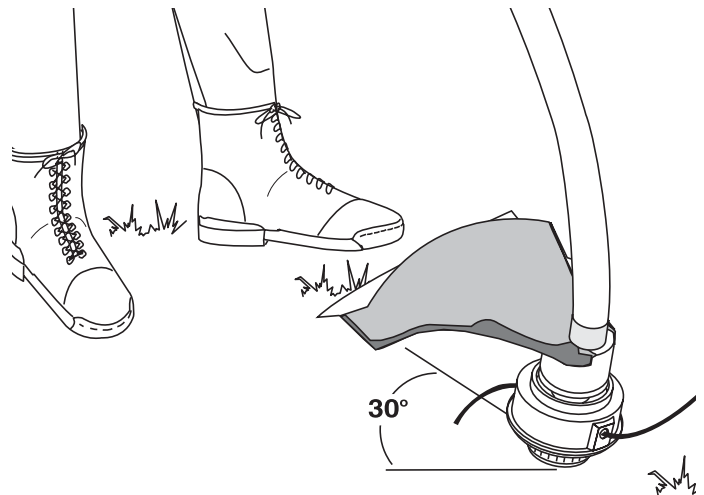


Fig. 10

# MAINTENANCE AND REPAIR INSTRUCTIONS

## SERVICING DOUBLE INSULATED UNITS

This unit is double-insulated. In a double-insulated unit, two systems of insulation are provided instead of grounding. There is no grounding provided and no means of grounding should be added to this unit.

Extreme care and knowledge of the system is required when servicing a double-insulated unit. Service should be performed by qualified service personnel only. Replacement parts for a double-insulated unit must be identical to the parts they replace. Refer any repair to an authorized service dealer. A double-insulated unit is marked with the words "double insulation" or "double insulated."

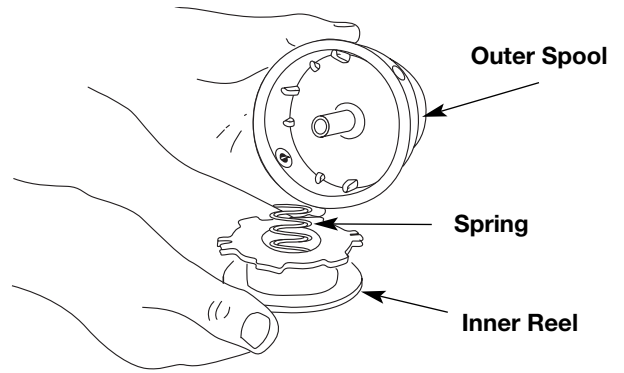


Fig. 12

## LINE INSTALLATION

This section covers both SplitLine™ and standard single line installation.

Always use original equipment manufacturer 0.065 in. (1.65 mm) replacement line. Line other than the specified may make the motor overheat or fail.



**WARNING:** Never use metal-reinforced line, wire, chain or rope. These can break off and become dangerous projectiles.

There are two methods to replace the trimming line:

- Wind the inner reel with new line
- Install a prewound inner reel

### Winding the Existing Inner Reel

1. Hold the outer spool with one hand and unscrew the Bump Knob™ counterclockwise (Fig. 11). Inspect the bolt inside the Bump Knob to make sure it moves freely. Replace the Bump Knob if damaged.

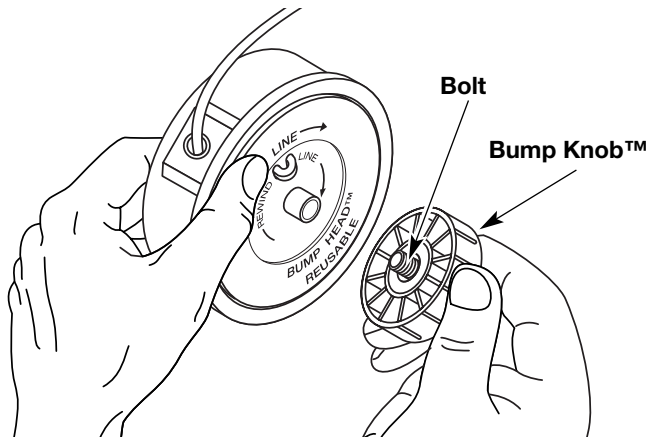


Fig. 11

2. Remove the inner reel from the outer spool (Fig. 12).
3. Remove spring from the inner reel (Fig. 12).
4. Use a clean cloth to clean the the inner reel, spring, shaft, and inner surface of the outer spool.
5. Check the indexing teeth on the inner reel and outer spool for wear (Fig. 13). If necessary, remove burrs or replace the reel and spool.

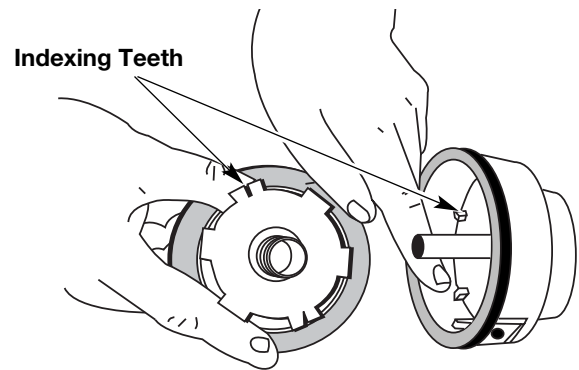
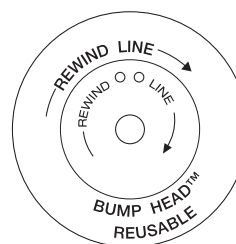


Fig. 13

**NOTE:** SplitLine™ can only be used with the inner reel with the slotted holes. Single line can be used on either type of inner reel. Use Figure 14 to identify the inner reel you have.

**NOTE:** Always use the correct line length when installing trimming line on the unit. The line may not release properly if the line is too long.

For Use with Single Line ONLY



For Use with SplitLine™ or Single Line

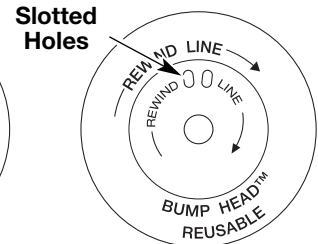


Fig. 14

# MAINTENANCE AND REPAIR INSTRUCTIONS

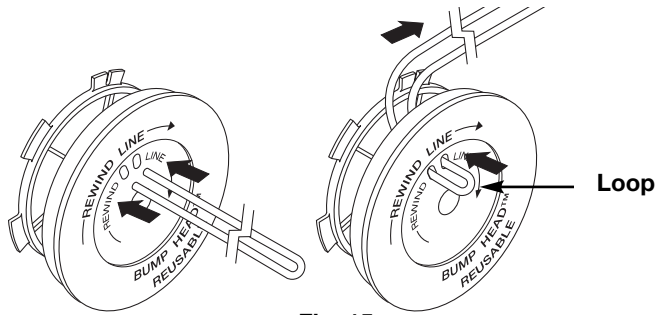


Fig. 15

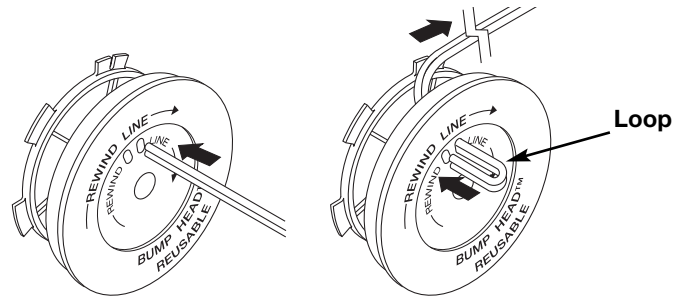


Fig. 17

## Single Line Installation

Go To Step 8 for SplitLine™ Installation

- Take approximately 20 feet (6 m) of new trimming line, loop it into two equal lengths. Insert each end of the line through one of the two holes in the inner reel (Fig. 15). Pull the line through the inner reel so that the loop is as small as possible.
- Wind the lines in tight even layers, onto the reel (Fig. 16). Wind the line in the direction indicated on the inner reel. Place your index finger between the two lines to stop the lines from overlapping. Do not overlap the ends of the line. Proceed to step 11.

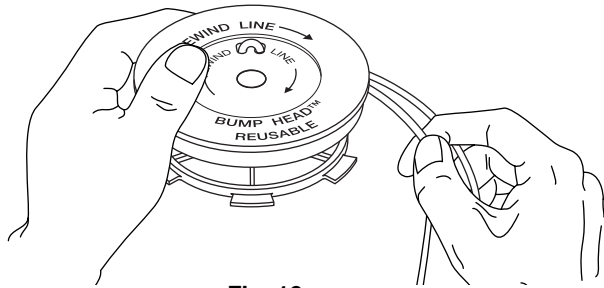


Fig. 16

## SplitLine™ Installation

- Take approximately 10 feet (3 m) of new trimming line. Insert one end of the line through one of the two holes in the inner reel (Fig. 17). Pull the line through the inner reel until only about 4 inches is left out.
- Insert the end of the line into the open hole in the inner reel and pull the line tight to make the loop as small as possible (Fig. 17).
- Before winding, split the line back about 6 inches.
- Wind the line in tight even layers in the direction indicated on the inner reel.

**NOTE:** Failure to wind the line in the direction indicated will cause the cutting attachment to operate incorrectly.

- Insert the ends of the line into the two holding slots (Fig. 18).
- Insert the ends of the line through the eyelets in the outer spool and place inner reel with spring inside the outer spool (Fig. 19). Push the inner reel and outer spool together. While holding the inner reel and outer spool, grasp the ends and pull firmly to release the line from the holding slots in the reel.

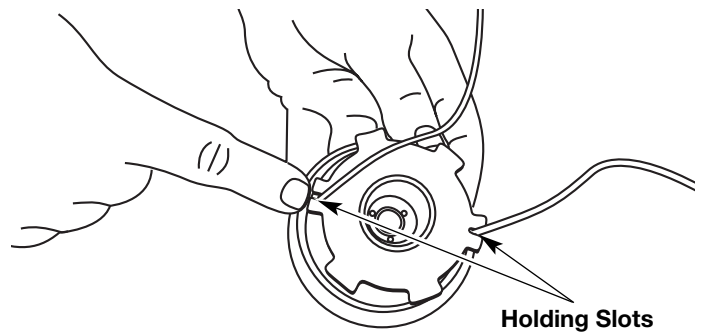


Fig. 18

**NOTE:** The spring must be assembled on the inner reel before reassembling the cutting attachment.

- Hold the inner reel in place and install the bump knob by turning clockwise. Tighten securely.

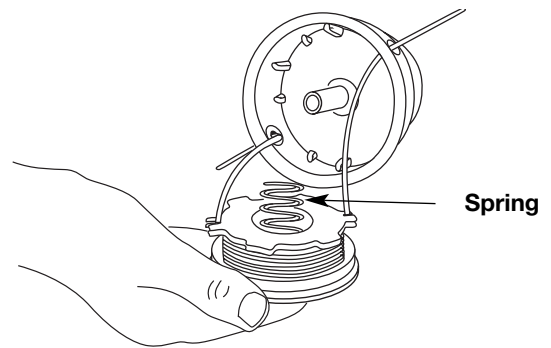


Fig. 19

# MAINTENANCE AND REPAIR INSTRUCTIONS

## INSTALLING A PREWOUND REEL

1. Hold the outer spool with one hand and unscrew the bump knob counterclockwise (Fig. 11). Inspect the bolt inside the bump knob to make sure it moves freely. Replace the bump knob if damaged.
2. Remove the old inner reel from the outer spool (Fig. 12).
3. Remove the spring from the old inner reel (Fig. 12).
4. Place the spring in the new inner reel.

**NOTE:** The spring must be assembled on the inner reel before reassembling the cutting attachment.

5. Insert the ends of the line through the eyelets in the outer spool (Fig. 19).
6. Place the new inner reel inside the outer spool. Push the inner reel and outer spool together. While holding the inner reel and outer spool, grasp the ends and pull firmly to release the line from the holding slots in the spool.
7. Hold the inner reel in place and install the bump knob by turning clockwise. Tighten securely.

## CLEANING



**WARNING:** To avoid serious personal injury, always turn your unit off and unplug it before you clean or service it.

Switch off the unit and disconnect it from the power source. Use a small brush to clean off the outside of the unit. Do not use strong detergents. Household cleaners that contain aromatic oils such as pine and lemon, and solvents such as kerosene, can damage plastic housing or handle. Wipe off any moisture with a soft cloth. Also keep the air vents free of obstructions.

## INSPECT EXTENSION CORDS

Inspect all extension cords. Look closely for deterioration, cuts or cracks in the insulation. Inspect the connectors for damage. Replace a damaged or defective cord.

## STORAGE

- Allow the unit to cool before storing.
- Lock the unit to prevent unauthorized use or damage.
- Store the unit in a dry, well-ventilated area.
- Store the unit out of the reach of children.

# TROUBLESHOOTING

## MOTOR WILL NOT START

### CAUSE

Unit is unplugged  
Overload protection switch has popped

### ACTION

Check cord to make sure it is still plugged into an electrical outlet  
Reset overload protection switch

## CUTTING ATTACHMENT WILL NOT ADVANCE LINE

### CAUSE

Cutting attachment bound with grass  
Cutting attachment out of line  
Inner reel bound up  
Cutting head dirty  
Line welded  
Line twisted when refilled  
Not enough line is exposed

### ACTION

Stop the unit and clean cutting attachment  
Refill with new line  
Replace the inner reel  
Clean inner reel and outer spool  
Disassemble, remove the welded section and rewind  
Disassemble and rewind the line  
Push the bump knob and pull out line until 4 inches (102 mm) of line is outside of the cutting attachment

## CUTTING LINE ADVANCES UNCONTROLLABLY

### CAUSE

Oil, cleaner or lubricant in cutting head

### ACTION

Clean and thoroughly dry the cutting head

**If further assistance is required, contact your authorized service dealer.**

# SPECIFICATIONS

## MOTOR

Motor type.....A.C., 120 Volts Electric  
Operating RPM..... up to 7,400 rpm  
On/Off Switch ..... Trigger  
Amperage..... 4.7 amps

## DRIVE SHAFT AND CUTTING HEAD

Drive Shaft Housing ..... Steel Tube  
Unit Weight (With cutting attachment, cutting attachment shield and D-handle) .....9 lbs. (4.1 kg)  
Cutting Mechanism ..... Bump Head™  
Line Spool Diameter .....3 inches (76.2 mm)  
Trimming Line Diameter ..... 0.065 in (1.65 mm)  
Cutting Path Diameter..... 15 in (381 mm)

# MANUFACTURER'S LIMITED WARRANTY FOR:



The limited warranty set forth below is given by Troy-Bilt LLC with respect to new merchandise purchased and used in the United States, its possessions and territories.

Troy-Bilt LLC warrants this product against defects in material and workmanship for a period of two (2) years commencing on the date of original purchase and will, at its option, repair or replace, free of charge, any part found to be defective in material or workmanship. This limited warranty shall only apply if this product has been operated and maintained in accordance with the Operator's Manual furnished with the product, and has not been subject to misuse, abuse, commercial use, neglect, accident, improper maintenance, alteration, vandalism, theft, fire, water or damage because of other peril or natural disaster. Damage resulting from the installation or use of any accessory or attachment not approved by Troy-Bilt LLC for use with the product(s) covered by this manual will void your warranty as to any resulting damage. This warranty is limited to ninety (90) days from the date of original retail purchase for any Troy-Bilt product that is used for rental or commercial purposes, or any other income-producing purpose.

**HOW TO OBTAIN SERVICE:** Warranty service is available, WITH PROOF OF PURCHASE THROUGH YOUR LOCAL AUTHORIZED SERVICE DEALER. To locate the dealer in your area, visit our website at [www.troybilt.com](http://www.troybilt.com), check for a listing in the Yellow Pages, call 1 (866) 840-6483 or 1 (330) 558-7220 or write to P.O. Box 361131, Cleveland, OH 44136-0019.

**This limited warranty does not provide coverage in the following cases:**

- A. Tune-ups - Spark Plugs, Carburetor Adjustments, Filters
- B. Wear items - Bump Knobs, Outer Spools, Cutting Line, Inner Reels, Starter Pulley, Starter Ropes, Drive Belts
- C. Troy-Bilt LLC does not extend any warranty for products sold or exported outside of the United States of America, its possessions and territories, except those sold through Troy-Bilt's authorized channels of export distribution.

Troy-Bilt LLC reserves the right to change or improve the design of any Troy-Bilt Product without assuming any obligation to modify any product previously manufactured.

**No implied warranty, including any implied warranty of merchantability or fitness for a particular purpose, applies after the applicable period of express written warranty above as to the parts as identified. No other express warranty or guaranty, whether written or oral, except as mentioned above, given by any person or entity, including a dealer or retailer, with respect to any product shall bind Troy-Bilt LLC During the period of the Warranty, the exclusive remedy is repair or replacement of the product as set forth above.** (Some states do not allow limitations on how long an implied warranty lasts, so the above limitation may not apply to you.)

**The provisions as set forth in this Warranty provide the sole and exclusive remedy arising from the sales. Troy-Bilt LLC shall not be liable for incidental or consequential loss or damages including, without limitation, expenses incurred for substitute or replacement lawn care services, for transportation or for related expenses, or for rental expenses to temporarily replace a warranted product.** (Some states do not allow limitations on how long an implied warranty lasts, so the above limitation may not apply to you.)

In no event shall recovery of any kind be greater than the amount of the purchase price of the product sold. Alteration of the safety features of the product shall void this Warranty. You assume the risk and liability for loss, damage, or injury to you and your property and/or to others and their property arising out of the use or misuse or inability to use the product.

This limited warranty shall not extend to anyone other than the original purchaser, original lessee or the person for whom it was purchased as a gift.

**How State Law Relates to this Warranty:** This warranty gives you specific legal rights, and you may also have other rights which vary from state to state.

To locate your nearest service dealer dial 1 (866) 840-6483.

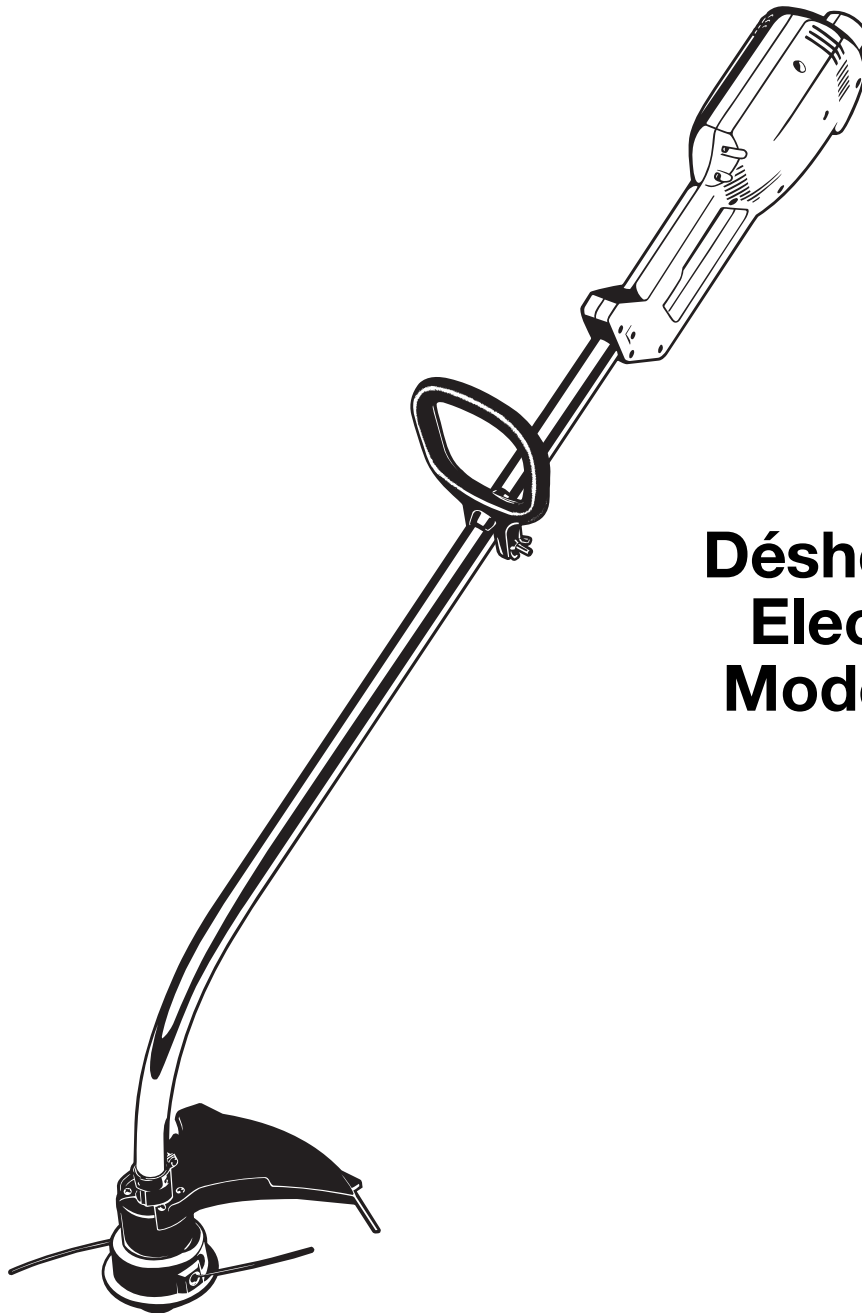
**Troy-Bilt LLC**

P.O. Box 361131

Cleveland, OH 44136-0019



# Manuel de L'utilisateur



**Désherbeuse  
Electrique  
Model TB50**



**IMPORTANT: LISEZ LES RÈGLES ET CONSIGNES DE SÉCURITÉ SOIGNEUSEMENT**

P/N 769-02584

(6/06)

# INTRODUCTION

## TOUS NOS REMERCIEMENTS

Nous vous remercions d'avoir acheté ce produit de qualité. Cet outil mécanique de plein air moderne est conçu pour vous rendre service pendant longtemps. Il vous sauvera beaucoup de temps comme vous pourrez vous en rendre compte. Ce manuel de l'utilisateur comporte un mode d'emploi facile à comprendre. Prenez soin de lire le manuel au complet et suivez toutes ses instructions à la lettre afin de conserver votre nouvel outil mécanique de plein air en excellent état de fonctionnement.

## RÉFÉRENCES, ILLUSTRATIONS ET SPÉCIFICATIONS RELATIVES AU PRODUIT

Toutes les informations, illustrations et spécifications contenues dans ce manuel tiennent compte des dernières informations techniques disponibles au moment de mettre sous presse. Nous nous réservons le droit d'y apporter des modifications à tout moment, sans préavis.

Copyright© 2004 MTD SOUTHWEST INC., Tous droits réservés.

## INFORMATIONS D'ENTRETIEN

Tout entretien effectué sur cet appareil pendant et après la période de garantie doit être fait par un concessionnaire agréé uniquement. Obtenez la liste des concessionnaires agréés appelez le **1-800-520-5520**. Pour de plus amples informations à propos de votre appareil, visitez **www.troybilt.com**.

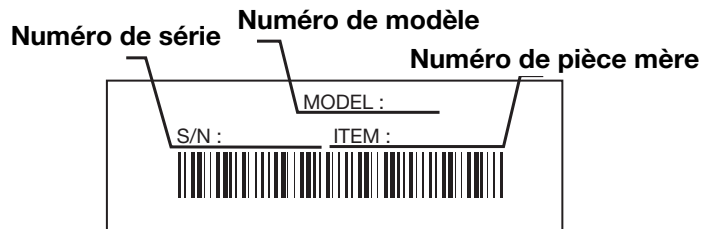
**NE RETOURNEZ PAS L'APPAREIL AU DÉTAILLANT CHEZ QUI VOUS L'AVEZ ACHETÉ. TOUT SERVICE SOUS GARANTIE NÉCESSITE UNE PREUVE D'ACHAT.**

Avant d'assembler votre nouvel équipement, repérez la plaque signalétique de l'appareil et copiez ses informations dans l'espace ci-dessous. Ces informations sont essentielles si vous désirez obtenir de l'aide auprès de notre service technique ou d'un distributeur agréé. Un exemple de plaque signalétique est présenté ci-dessous.

## TABLE DES MATIÈRES

Service technique . . . . .	2
Consignes de sécurité . . . . .	3
Familiarisez-vous avec votre appareil . . . . .	6
Instructions de montage . . . . .	7
Mode d'emploi . . . . .	8
Entretien et réparations . . . . .	10
Tableau de dépannage . . . . .	13
Caractéristiques . . . . .	13
Garantie . . . . .	14
Liste des pièces . . . Intérieure de la Couverture Arrière	

Si vous éprouvez des difficultés à assembler ce produit ou si vous avez des questions concernant les commandes, le fonctionnement ou l'entretien de cet appareil, veuillez communiquer avec notre service technique.



**Copiez le numéro de modèle / pièce mère ici :** \_\_\_\_\_

**Copiez le numéro de série ici :** \_\_\_\_\_

*Prenez soin de lire et de bien comprendre ce manuel avant de démarrer ou de faire fonctionner cet équipement.*

**CE PRODUIT EST COUVERT PAR UN OU PLUSIEURS BREVETS AMÉRICAINS, ET D'AUTRES SONT EN INSTANCE.**



# CONSIGNES DE SÉCURITÉ

Les symboles de sécurité attirent votre attention sur des dangers potentiels. Ces symboles et leurs détails explicatifs méritent que vous les lisiez et compreniez bien. Les avertissements de sécurité ne peuvent éviter les dangers de par eux-mêmes. Les consignes ou mises en garde qu'ils donnent ne remplacent pas des mesures préventives appropriées contre les accidents.

## SYMBOLE SIGNIFICATION



### ALERTE DE SÉCURITÉ:

indique un danger, un avertissement ou une mise en garde. Soyez vigilant afin d'éviter toute blessure grave. Ce symbole peut être combiné à d'autres symboles ou pictogrammes.

**REMARQUE:** donne des informations ou des instructions vitales pour le fonctionnement ou l'entretien de l'équipement.

## SYMBOLE SIGNIFICATION



**DANGER:** le non-respect d'un avertissement peut causer dommages matériels ou blessures graves pour tous. Respectez les consignes de sécurité afin de réduire les risques d'incendie, d'électrocution et de blessures.



**AVERTISSEMENT:** le non-respect d'un avertissement peut causer dommages matériels ou blessures graves pour tous. Respectez les consignes de sécurité afin de réduire les risques d'incendie, d'électrocution et de blessures.



**MISE EN GARDE:** le non-respect d'un avertissement peut causer dommages matériels ou blessures graves pour tous. Respectez toujours les consignes de sécurité afin de réduire les risques d'incendie, d'électrocution et de blessures.

## • IMPORTANTES CONSIGNES DE SÉCURITÉ •

### LIRE TOUTES LES INSTRUCTIONS

#### AVANT UTILISATION

- Lire les instructions attentivement. Se familiariser avec les commandes et l'utilisation correcte de cet outil.
- Ne pas utiliser l'outil si vous êtes fatigué, malade ou sous l'effet de l'alcool, de drogues ou de médicaments.
- Inspectez l'appareil avant utilisation. Remplacez les pièces endommagées. Assurez-vous que les fixations sont solidement en place. Remplacez les pièces de l'accessoire de coupe qui sont fendillées, ébréchées ou endommagées. Assurez-vous que l'accessoire de coupe est correctement installé et solidement fixé. Assurez-vous que le protecteur d'accessoire de coupe est correctement fixé et positionné comme recommandé. Vous risquez sinon de causer des blessures à l'opérateur et aux spectateurs, et d'endommager l'appareil.
- N'utilisez que du fil de remplacement d'origine du fabricant de 1,65 mm (0,065 po) de diamètre. N'utilisez jamais de fil, de chaîne ou de cordon à renfort métallique car ils peuvent se briser et se transformer en projectile dangereux.
- Soyez conscient des risques de blessure à la tête, aux mains et aux pieds.



**DANGER:** respectez toujours les consignes de sécurité durant l'utilisation d'appareils de jardinage électriques afin de réduire les risques d'incendie, d'électrocution et de blessures. Prenez soin de bien lire et comprendre tout le manuel de l'utilisateur avant d'utiliser la souffeuse/aspirateur. Faites particulièrement attention au mode d'emploi et aux avertissements de sécurité.

- Dégagez la zone de coupe avant chaque usage. Enlevez tous les objets pouvant être projetés ou happés par l'accessoire de coupe : cailloux, verre brisé, clous, fil ou ficelle. Éloignez enfants, spectateurs et animaux de la zone de coupe. Tenez-les à au moins 15 m (50 pi) de là mais sachez que les spectateurs risquent quand même d'être atteints par des objets projetés. Les spectateurs doivent porter des protections oculaires. Arrêtez immédiatement le moteur et l'accessoire de coupe si quelqu'un s'approche de vous.
- Cet appareil n'est pas conçu pour servir de débroussailleuse. N'utilisez cet appareil avec aucun type de lame ou d'accessoire de débroussaillage.

### AVERTISSEMENTS DE SÉCURITÉ ÉLECTRIQUE



**AVERTISSEMENT:** Pour réduire le risque de choc électrique, utilisez uniquement des rallonges électriques approuvées pour une utilisation extérieure., comme par exemple les rallonges à cordons de type SW-A, SOW-A, STW-A, STOW-A, SJW-A, SJOW-A, SJTW-W ou SJTOW.

- Comme cet outil comporte une isolation double, il est donc possible d'utiliser des rallonges à 2 conducteurs (rallonges sans terre). Cependant, il est tout à fait possible d'utiliser des rallonges à 3 conducteurs (rallonges avec fil de terre), qui comportent des fiches de type NEMA (fiches parallèles, fiche terre en forme de U). Ces rallonges sont disponibles auprès de votre revendeur local. Veillez à n'utiliser que des rallonges à section circulaire, approuvées pour une utilisation extérieure.
- Cet outil comporte une isolation double. Pour toutes les réparations, utilisez uniquement des pièces de rechange identiques. Tout cordon électrique endommagé doit être réparé ou remplacé.

# CONSIGNES DE SÉCURITÉ

- Pour réduire le risque de choc électrique, cet appareil est pourvu d'une fiche polarisée (une lame est plus large que l'autre). Cet appareil ne peut être inséré dans une prise polarisée que d'une seule manière. S'il n'est pas possible d'insérer entièrement la fiche dans la prise, essayez de brancher la fiche dans l'autre sens. Si malgré tout, il n'est pas possible d'insérer la fiche, remplacez le cordon par un cordon qui comporte les bonnes fiches. Ne modifiez cet appareil en aucun cas.

## CALIBRE MINIMUM DES RALLONGES ALIMENTANT DES APPAREILS 120V, A COURANT DE CHARGE DE 0-12 AMPS\*

Long. de cordon (pieds)	25	50	100	150
Calibre du cordon (AWG)*	16	16	16	14

\*La grosseur du fil (AWG) pour l'ampérage de 12 à 19 ampères est de 14 AWG pour 25 pieds, de 12 AWG pour 50 pieds et n'est pas recommandé pour 100 ou 150 pieds.

- JEUX DE CORDONS: Vérifiez que votre jeu de cordons est en bon état de fonctionnement. Si vous utilisez un jeu de cordons, assurez vous de bien utiliser un cordon de calibre suffisant pour laisser passer le courant de charge de votre appareil. Un jeu de cordons à section trop faible risque de provoquer des chutes de tension de ligne, qui entraînent une perte de puissance et une surchauffe. Le tableau ci-dessous donne les calibres corrects à utiliser, en fonction de la longueur du cordon et de la valeur de l'intensité nominale. En cas de doute, utilisez la section de câble immédiate-ment supérieure. Un numéro de calibre faible correspond à une forte section de câble. Référez vous à la *Mode D'emploi* pour réduire le risque de débranchement du cordon de l'appareil pendant le fonctionnement, du jeu de cordons.
- Le(s) circuit(s) électrique(s) ou la(les) prise(s) d'alimentation de cet outil de jardinage doit(doivent) comporter une protection de type GFCI (qui coupe le circuit en cas de défaut de terre). Il existe des prises qui comportent une protection GFCI, et que l'on peut utiliser dans ce cas de figure.
- Votre appareil est pourvu d'une plaquette du constructeur, qui indique le type de tension à utiliser. N'alimentez jamais cet appareil avec une tension alternative différente de celle affichée.
- Ne maltraitez pas le cordon. Ne tirez jamais l'appareil par le cordon et ne le débranchez pas en tirant sur le cordon. Protégez celui-ci de la chaleur, de l'huile et des bords tranchants.
- Procédez à une inspection périodique de vos rallonges électriques et de la fiche de raccord de votre appareil. Examinez plus particulièrement l'isolation qui ne doit pas présenter de traces de détérioration, de coupures ou de mise à nu. Inspectez également les raccords qui doivent être en bon état. Si les cordons paraissent endommagés, remplacez les ou réparez les.
- Evitez d'utiliser cet appareil dans des conditions dangereuses. Ne le faites jamais fonctionner en atmosphère humide ou mouillée. L'humidité constitue un danger réel de choc électrique.
- N'utilisez pas cet appareil sous la pluie.
- Ne touchez pas la fiche ou l'appareil lui même si vos mains sont mouillées.

## PENDANT L'UTILISATION

- Portez des lunettes de sécurité conformes aux normes ANSI Z87.1 ainsi que des protège-oreilles durant l'utilisation de l'appareil. Portez un masque facial ou antipoussières si vous travaillez dans un lieu poussiéreux.
- Ajustez la poignée en D selon votre taille pour mieux l'agripper.

- N'utilisez l'appareil qu'en plein jour ou avec un bon éclairage artificiel.
- Portez des pantalons épais et longs, des bottes, des gants et une chemise à manches longues. Ne marchez pas pieds nus et évitez les vêtements lâches, bijoux, pantalons courts et sandales. Relevez les cheveux au-dessus des épaules.
- Le protecteur d'accessoire de coupe doit toujours être en place lors de l'utilisation de l'appareil. Ne faites pas marcher l'appareil sans que les deux fils soient bien déployés, en supposant qu'un fil approprié a été installé. Assurez-vous que le fil ne dépasse pas le protecteur de sécurité.
- Évitez tout démarrage accidentel. Ne transportez pas l'appareil branché, le doigt sur l'interrupteur. Mettez ce dernier hors tension avant de brancher.
- Ne vous étirez pas. Tenez-vous toujours bien sur vos pieds en position d'équilibre.
- Tenez toujours l'appareil des deux mains lorsque vous le faites marcher. Agrippez fermement les poignées avant et arrière.
- Gardez les mains, le visage et les pieds éloignés des pièces mobiles. Ne touchez pas et n'essayez pas d'arrêter l'accessoire de coupe en rotation.
- Servez-vous des outils appropriés. N'utilisez cet outil que pour son usage prévu.
- Ne faites pas fonctionner le moteur à un régime plus élevé que nécessaire pour couper, tailler ou faire les bordures. Ne faites pas tourner le moteur à haut régime si vous ne vous faites pas de coupe.
- Arrêtez toujours le moteur lorsque vous suspendez la coupe ou lorsque vous vous déplacez d'un lieu de travail vers un autre.
- Si vous heurtez un corps étranger ou que celui-ci est happé, arrêtez le moteur immédiatement et vérifiez que rien n'a été endommagé. Ne faites pas fonctionner avant réparation des dommages. Ne faites pas marcher l'appareil si les pièces sont desserrées ou endommagées.
- Arrêtez et éteignez le moteur dans les cas suivants: entretien, réparation ou changement d'accessoires ou autres.
- N'utilisez que des pièces de rechange d'origine du fabricant pour l'entretien de cet appareil. Ces pièces sont disponibles auprès de votre concessionnaire agréé. N'utilisez pas de pièces ou accessoires non conçus par original pour cet appareil. Cela pourrait causer des blessures graves à l'utilisateur ou endommager l'appareil et annuler la garantie.
- Gardez l'appareil exempt d'accumulation de végétation ou autres matières. Celles-ci peuvent rester logées entre l'accessoire de coupe et le protecteur.

## AUTRES AVERTISSEMENTS DE SÉCURITÉ

- Bien arrimer l'outil pour le transport.
- Remiser l'outil dans un endroit sec pouvant être verrouillé ou en hauteur afin d'empêcher des dommages ou un usage non autorisé. Garder l'outils hors de portée des enfants.
- Ne jamais immerger l'outil et ne jamais l'arroser avec de l'eau ou tout autre liquide. Garder les poignées sèches, propres et exemptes de débris. Nettoyer après chaque usage. Voir les sections *Nettoyage et Remisage*.
- Conserver ces instructions. Les consulter fréquemment et les utiliser pour instruire d'autres utilisateurs. Si l'outil est prêté, il doit être accompagné de ces instructions.

# CONSERVER CES INSTRUCTIONS

# CONSIGNES DE SÉCURITÉ

## SYMBOLES DE SÉCURITÉ ET INTERNATIONAUX

Ce manuel de l'utilisateur décrit les symboles et pictogrammes de sécurité et internationaux pouvant apparaître sur ce produit. Consultez le manuel de l'utilisateur pour les informations concernant la sécurité, le montage, le fonctionnement, l'entretien et les réparations.

### SYMBOLE

### SIGNIFICATION



- **SYMBOLE ALERTE DE SÉCURITÉ**

Indique un danger, un avertissement ou une mise en garde. Ce symbole peut être combiné à d'autres symboles ou pictogrammes.



- **AVERTISSEMENT - LISEZ LE MANUEL DE L'UTILISATEUR**

Lisez le manuel de l'utilisateur et suivez tous les avertissements et consignes de sécurité. Vous pourriez à défaut entraîner des blessures graves pour vous ou d'autres personnes.



- **LES OBJETS PROJÉTÉS ET LA TÊTE ROTATIVE PEUVENT CAUSER DES BLESSURES GRAVES**

**AVERTISSEMENT:** Ne faites pas fonctionner sans protecteur de sécurité en plastique. Tenez-vous à l'écart de l'accessoire de coupe rotatif.

### SYMBOLE

### SIGNIFICATION



- **ÉLOIGNEZ LES SPECTATEURS**

**AVERTISSEMENT:**

éloignez tout spectateur, les enfants et les animaux domestiques en particulier, d'au moins 15 m (50 pi) de la zone de coupe.



- **PORTEZ DES PROTECTIONS (YEUX ET OREILLES)**

**AVERTISSEMENT:**

les objets projetés et les bruits forts peuvent endommager la vue et l'ouïe. Portez une visière de norme ANSI Z87.1-1989 et des protège-oreilles pendant l'utilisation.



- **DOUBLE ISOLEMENT**

Les appareils à double isolement comportent deux systèmes d'isolement. Comme il se doit, aucun moyen de mise à la terre n'est fourni sur ce type d'appareil.

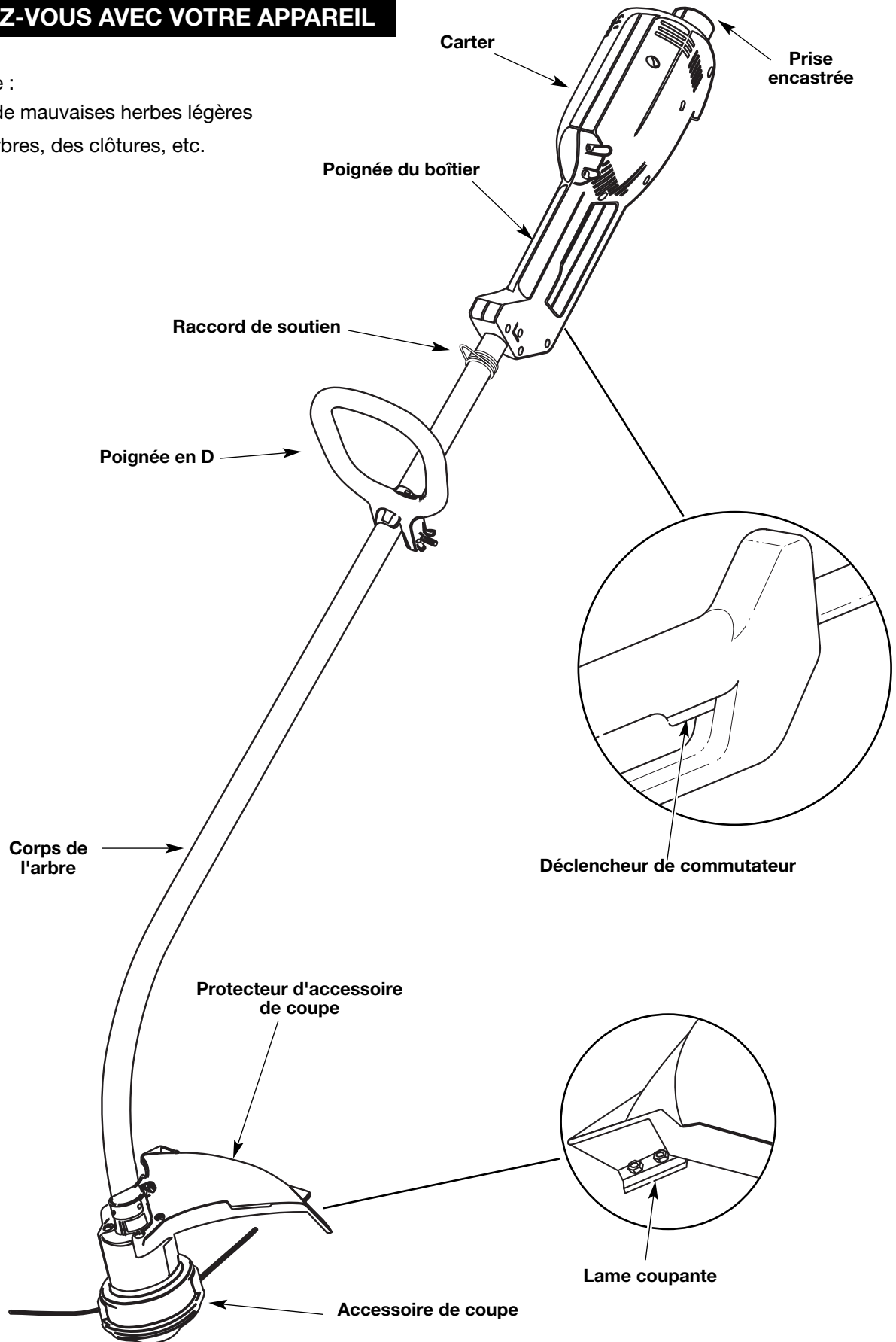
# CONSIGNES DE SÉCURITÉ

## FAMILIARISEZ-VOUS AVEC VOTRE APPAREIL

### APPLICATIONS

Comme désherbeuse :

- Coupe d'herbe et de mauvaises herbes légères
- Taille autour des arbres, des clôtures, etc.



# INSTRUCTIONS DE MONTAGE

## INSTALLATION ET RÉGLAGE DE LA POIGNÉE EN D

1. Enfoncez la poignée en D sur le corps de l'arbre afin de l'incliner vers la prise de l'arbre (Fig. 1). Le trou de boulon carré de la poignée se trouve à droite.
2. Insérez le boulon à épaulement dans le trou carré de la poignée et enfoncez-le complètement. Sur le côté gauche de la poignée, placez la rondelle sur ce boulon, puis vissez l'écrou papillon sur le boulon. Ne serrez pas avant de régler le guidon.
3. Tournez la poignée en D afin que la prise soit sur le dessus du corps de l'arbre. Placez-la à au moins 15,24 cm (6 po) de l'extrémité de la prise de l'arbre.

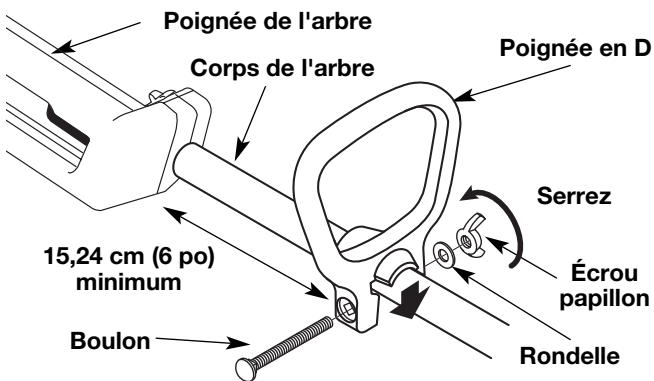


Fig. 1

4. Tenez l'appareil en position d'utilisation (Fig. 2), puis positionnez la poignée en D de manière à assurer une prise idéale.
5. Serrez l'écrou papillon jusqu'à bien fixer la poignée en D.



Fig. 2

## INSTALLATION DU PROTECTEUR D'ACCESSOIRE DE COUPE

Suivez les instructions suivantes si le protecteur d'accessoire de coupe n'est pas installé sur l'appareil.



**AVERTISSEMENT:** n'utilisez jamais la désherbeuse sans protecteur d'accessoire de coupe pour éviter des blessures graves.

1. Placez le protecteur d'accessoire de coupe sur le corps de l'arbre au-dessus de l'ensemble de bride (Fig. 3).
2. Enfoncez le protecteur d'accessoire de coupe sur le haut de l'accessoire de coupe puis tournez-le jusqu'à ce que les trous à vis soient alignés et que le protecteur s'emboîte dans la poche encastrée (Fig. 4).
3. Posez les vis à l'aide d'un tournevis à empreinte cruciforme (Fig. 5).

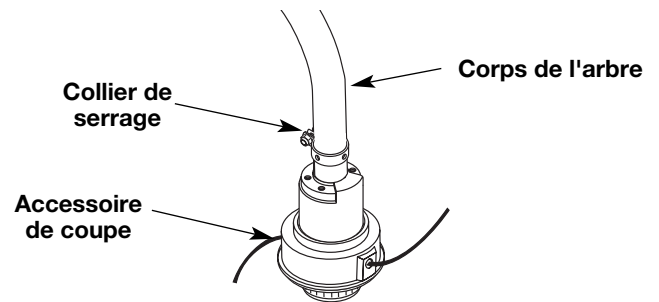


Fig. 3

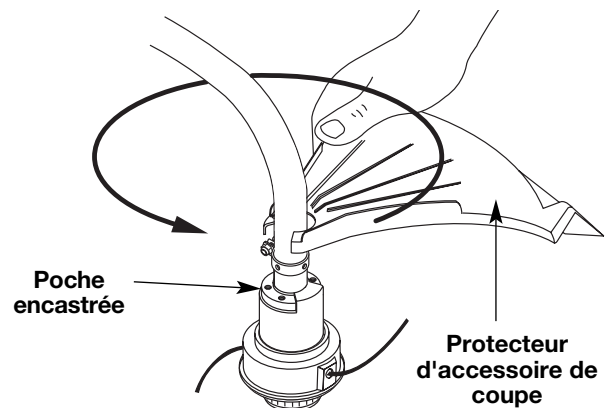


Fig. 4

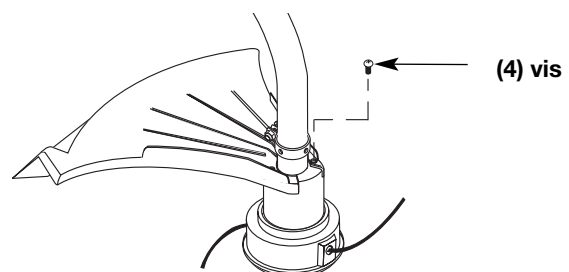


Fig. 5

# MODE D'EMPLOI

## CONNEXION DU CORDON D'ALIMENTATION

1. Utilisez le crochet de cordon lorsque vous connectez la rallonge au fil d'alimentation pour éviter toute déconnexion. Utilisez uniquement des rallonges homologuées pour l'usage à l'extérieur tel que spécifié dans la section *Consignes de sécurité*.
2. Fixez la rallonge au carter tel qu'indiqué (Fig. 6).

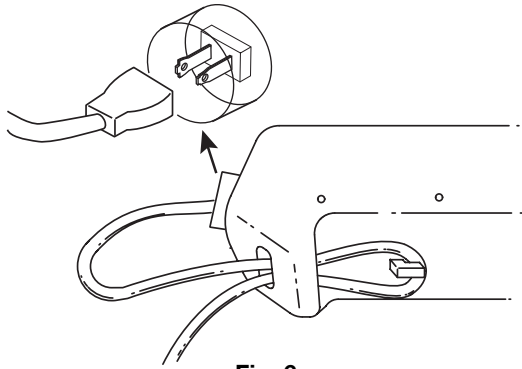


Fig. 6

## DÉMARRAGE/ ARRÊT DE L'APPAREIL

Tenez-vous en position de fonctionnement (Fig. 8). Appuyez sur la détente pour démarrer la désherbeuse (Fig. 7). Pour arrêter la désherbeuse, relâchez la détente.



**MISE EN GARDE:** N'utilisez pas l'appareil pour des travaux exigeants avec le commutateur en position de basse vitesse. Cela pourrait surchauffer ou endommager l'appareil.

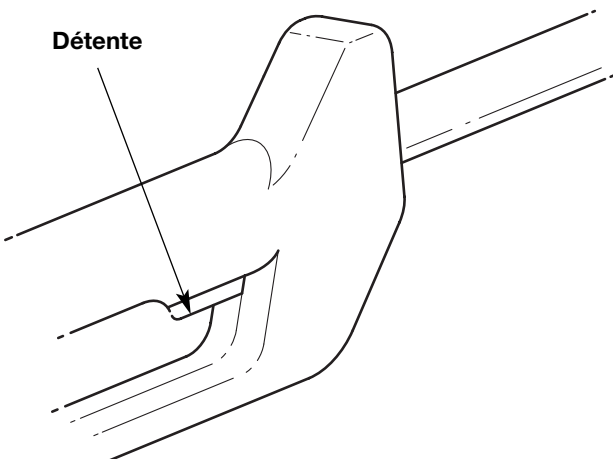


Fig. 7

## TENUE DE LA DÉSHERBEUSE

Avant de faire marcher l'appareil, tenez-vous en position de fonctionnement (Fig. 8). Vérifiez les points suivants:

- L'opérateur porte une visière et des vêtements appropriés.
- Le bras droit est légèrement plié et la main tient l'arbre par sa prise.
- Le bras gauche est droit et la main tient la poignée en D.
- L'appareil est au-dessous de la ceinture.
- L'accessoire de coupe est parallèle au sol et touche facilement la végétation sans que l'opérateur ne doive se pencher.



Fig. 8

## RÉGLAGE DE LA LONGUEUR DU FIL

L'accessoire de coupe Bump Head<sup>MC</sup> vous permet de donner du fil sans arrêter le moteur. Pour avoir plus de fil, tapez doucement l'accessoire de coupe sur le sol (Fig. 9) tout en faisant marcher la désherbeuse à haut régime.

**REMARQUE:** gardez toujours le fil bien déroulé. Il devient plus difficile de donner du fil à mesure que le fil de coupe devient plus court.

Chaque fois que vous donnez un coup sur la tête, vous déroulez environ 25,4 mm (1 po) de fil. La lame du protecteur d'accessoire de coupe est conçue pour couper le fil à la bonne longueur si vous déroulez trop de fil.

# MODE D'EMPLOI

Pour de meilleurs résultats, tapez la tête Bump Head<sup>MC</sup> sur un sol dégagé ou dur. Si vous donnez du fil dans un lieu d'herbe haute, vous risquez de caler le moteur. Gardez toujours le fil bien déroulé. Il devient plus difficile de donner du fil à mesure que le fil de coupe se raccourci.



**MISE EN GARDE:** n'enlevez pas ni n'altérez l'ensemble de la lame coupante. Un excès de fil surchauffera l'embrayage. Ceci pourrait causer des blessures graves ou endommager l'appareil.

**REMARQUE:** ne posez pas la Bump Head<sup>MC</sup> sur le sol.

Le fil peut se briser dans les cas suivants :

- Happement de corps étrangers
- Usure normale du fil
- Coupe de mauvaises herbes épaisses à longues tiges
- Forcer le fil dans des objets comme des murs ou des poteaux de clôture

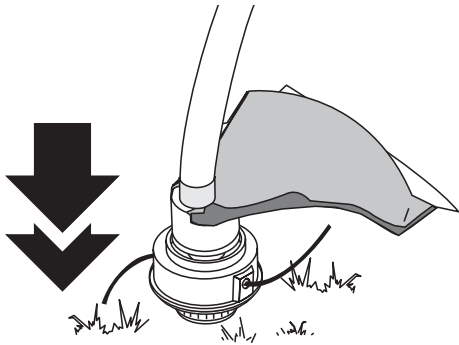


Fig. 9

## CONSEILS POUR BIEN DÉSHERBER

- Le bon angle pour l'accessoire de coupe est parallèle au sol.
- Ne forcez pas l'accessoire. Coupez avec la pointe du fil (surtout le long des murs). Utiliser plus que la pointe diminue l'efficacité de la coupe et peut surcharger le moteur.
- Coupez l'herbe de plus de 200 mm (8 po) en procédant de haut en bas par petits incréments pour éviter d'user le fil prématurément ou de freiner le moteur.
- Coupez de droite à gauche chaque fois que possible. Cela améliore l'efficacité de coupe de l'appareil et les résidus de coupe sont projetés loin de l'opérateur.

- Déplacez lentement la désherbeuse dans et hors de la zone de coupe à la hauteur voulue. Procédez d'avant en arrière ou d'un côté à l'autre. Les coupes de longueur plus courte donnent les meilleurs résultats.
- Ne désherbez que lorsque l'herbe et les mauvaises herbes sont sèches.
- La durée de vie de votre fil de coupe dépend:
  - de l'application des techniques de coupe précédentes
  - du type de végétation à couper
  - du lieu de coupe

Par exemple, le fil s'use plus vite si vous coupez le long d'un mur de fondation que si vous coupez autour d'un arbre.

## COUPE DÉCORATIVE

La coupe décorative consiste à déblayer la végétation autour des arbres, des bornes, des clôtures, etc.

Tournez entièrement l'appareil de manière à ce que l'accessoire de coupe soit à un angle de 30° par rapport au sol (Fig. 10).

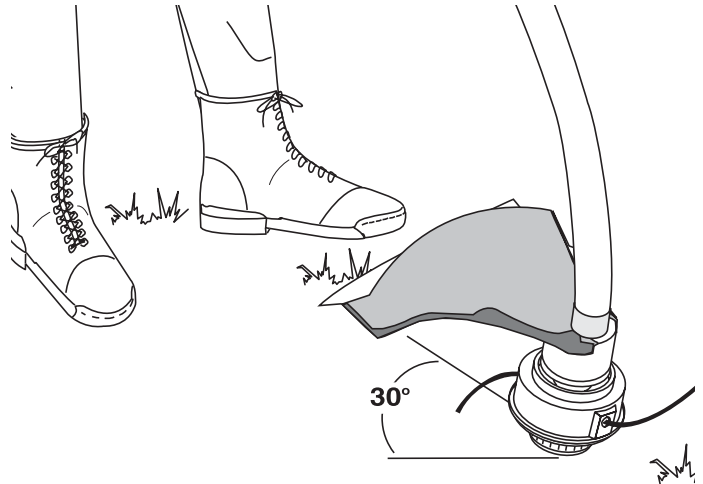


Fig. 10



# ENTRETIEN ET RÉPARATIONS

## ENTRETIEN D'APPAREILS À DOUBLE ISOLEMENT

Cet appareil possède un double isolement. Au lieu d'une mise à la terre, les appareils à double isolement comportent deux systèmes d'isolement. Comme il se doit, aucun moyen de mise à la terre n'est fourni sur ce type d'appareil.

L'entretien de ces appareils exige soins minutieux et compétence technique, et doit être effectué par un personnel qualifié uniquement. Les pièces de rechange doivent être identiques aux pièces remplacées. Confiez toute réparation à un concessionnaire agréé. Un appareil à double isolement porte l'indication « double insulation » ou « double insulated ».

## INSTALLATION DU FIL

Cette section couvre l'installation de fil SplitLine<sup>MC</sup> et l'installation de fil simple standard.

Utilisez toujours un fil de remplacement d'origine de 1,65mm (0,065 po). Un autre fil pourrait surchauffer ou endommager le moteur.



**AVERTISSEMENT:** n'utilisez jamais de fil, de chaîne ou de cordon à renfort métallique car ils peuvent se briser et se transformer en projectile dangereux.

Vous pouvez remplacer le fil de deux façons:

- Rembobinez du fil neuf dans le moulinet intérieur
- Installer un moulinet intérieur prérembobiné

### Rembobiner le moulinet intérieur existant

1. Tenez la bobine extérieure d'une main et dévissez le bouton de butée vers la gauche (Fig. 11). Inspectez le boulon à l'intérieur du bouton de butée pour vous assurer qu'il se déplace librement. Remplacez le bouton de butée s'il est endommagé.

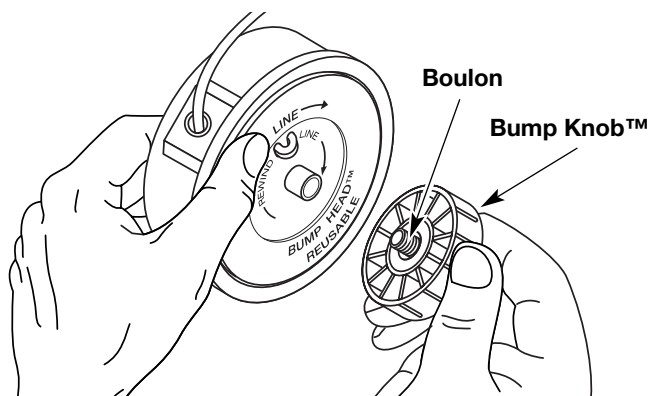


Fig. 11

2. Retirez le moulinet intérieur de la bobine extérieure (Fig. 12).
3. Retirez le ressort du moulinet (Fig. 12).
4. Nettoyez le moulinet intérieur, le ressort, et l'arbre et la surface interne de la bobine extérieure à l'aide d'un tissu propre.
5. Vérifiez l'état d'usure des dents de positionnement sur le moulinet intérieur et la bobine extérieure (Fig. 13). Enlevez les ébarbures ou remplacez le moulinet et la bobine au besoin.

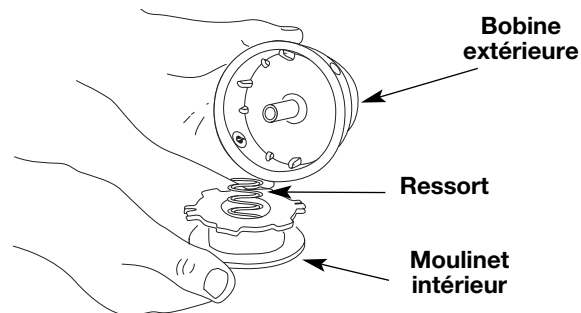


Fig. 12

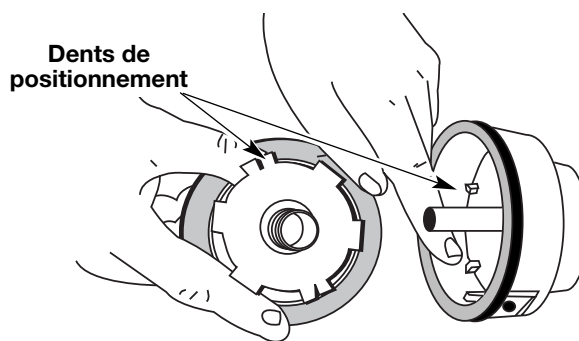
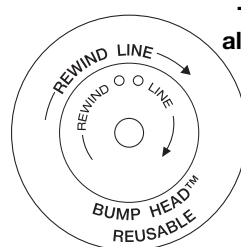


Fig. 13

**REMARQUE :** le SplitLine<sup>MC</sup> peut être utilisé seulement avec le moulinet intérieur à trous allongés. Le fil simple peut être utilisé avec les deux sortes de moulinet intérieur. Identifiez votre type de moulinet en vous référant à la Figure 14.

**REMARQUE :** utilisez toujours la bonne longueur de fil lorsque vous posez le fil sur l'appareil. Le fil risque de ne pas se dérouler correctement s'il est trop long.

Utiliser avec le fil simple  
**UNIQUEMENT**



Utiliser avec le SplitLine<sup>MC</sup>  
ou le fil simple

Trous allongés

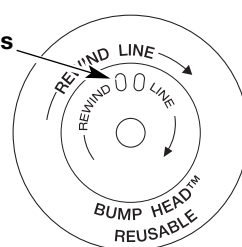


Fig. 14



# ENTRETIEN ET RÉPARATIONS

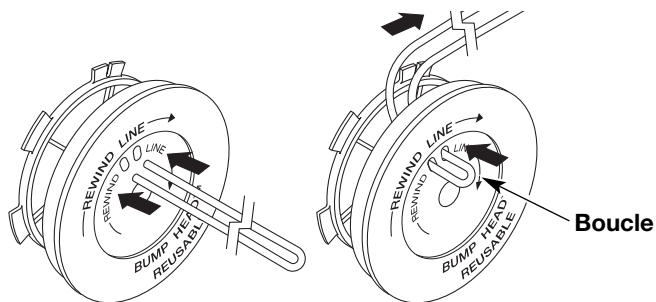


Fig. 15

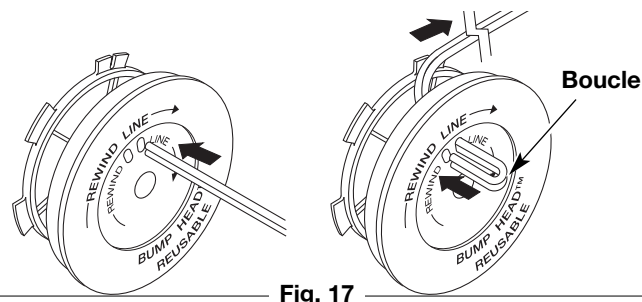


Fig. 17

## Installation du fil simple

Pour l'installation du SplitLine<sup>MC</sup>, passez à l'étape 8.

6. Découpez environ 6 m (20 pi) de fil neuf et faites-en deux boucles de longueurs égales. Insérez chaque extrémité de fil dans l'un des deux trous du moulinet (Fig. 15). Tirez le fil à travers le moulinet pour que la boucle soit le plus petit possible.
7. Enroulez les fils en couches uniformes serrées sur le moulinet (Fig. 16). Enroulez le fil dans le sens indiqué sur le moulinet intérieur. Placez votre index entre les deux fils pour les empêcher de se superposer. Ne superposez pas les extrémités du fil. Passez à l'étape 11.

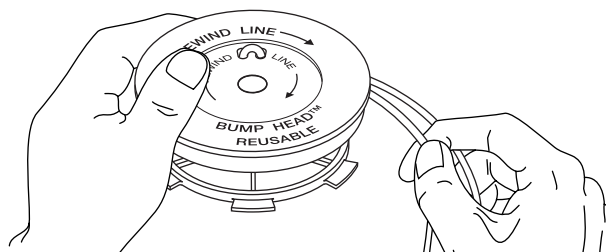


Fig. 16

## Installation du SplitLine<sup>MC</sup>

8. Découpez environ 3 m (6 pi) de fil neuf. Insérez une extrémité de fil dans l'un des deux trous du moulinet intérieur (Fig. 17). Tirez le fil jusqu'à ne laisser que 10 cm (4 po) environ.
9. Insérez l'extrémité du fil dans le trou ouvert du moulinet et tirez sur le fil pour que la boucle soit le plus petit possible (Fig. 17).
10. Avant de rembobiner le fil, séparez-le en deux sur une longueur d'environ 15 cm (6 po).
11. Enroulez le fil en couches uniformes serrées dans le sens indiqué sur le moulinet intérieur.

**REMARQUE :** ne pas enrouler le fil dans le sens indiqué entraînera un mauvais fonctionnement de l'accessoire de coupe.

12. Insérez les extrémités du fil dans les deux fentes de retenue (Fig. 18).

13. Insérez les extrémités du fil dans les œillets de la bobine extérieure et placez le moulinet et le ressort dans la bobine (Fig. 19). Enfoncez le moulinet et la bobine ensemble. Tout en tenant le moulinet et la bobine, saisissez les extrémités et tirez fermement pour dégager le fil des fentes de retenue de la bobine.

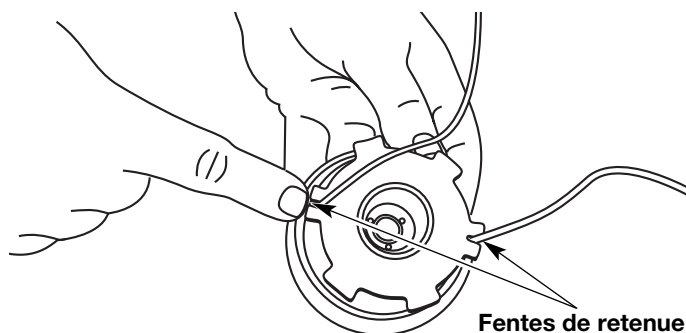


Fig. 18

**REMARQUE :** le ressort doit être installé dans le moulinet intérieur avant de remonter l'accessoire de coupe.

14. Maintenez le moulinet en place et installez le bouton de butée en le tournant à droite. Vissez bien.

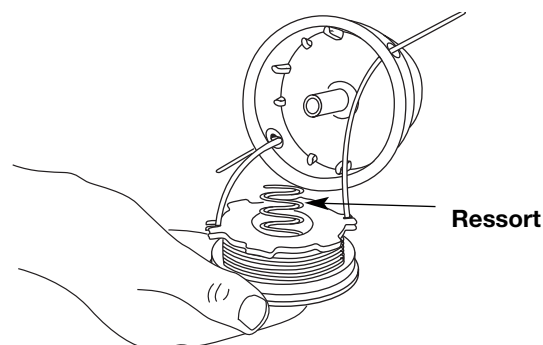


Fig. 19

# ENTRETIEN ET RÉPARATIONS

## Installation d'un moulinet prérembobiné

1. Tenez la bobine extérieure d'une main et dévissez le bouton de butée vers la gauche (Fig. 11). Inspectez le boulon à l'intérieur du bouton de butée pour vous assurer qu'il se déplace librement. Remplacez le bouton de butée s'il est endommagé.
2. Retirez l'ancien moulinet intérieur de la bobine extérieure (Fig. 12).
3. Retirez le ressort de l'ancien moulinet intérieur (Fig. 12).
4. Placez le ressort dans le moulinet intérieur neuf.

**REMARQUE :** le ressort doit être installé dans le moulinet intérieur avant de remonter l'accessoire de coupe.

5. Insérez les extrémités du fil dans les œillets de la bobine extérieure (Fig. 19).
6. Placez le moulinet intérieur neuf dans la bobine. Poussez le moulinet et la bobine ensemble. Tout en tenant le moulinet et la bobine, saisissez les extrémités et tirez fermement pour dégager le fil des fentes de retenue de la bobine.
7. Maintenez le moulinet en place et installez le bouton de butée en le tournant à droite. Vissez bien.

## NETTOYAGE DE L'APPAREIL



**AVERTISSEMENT:** pour éviter des blessures graves, éteignez toujours l'appareil et laissez-le refroidir avant tout nettoyage ou entretien.

1. Arrêtez l'appareil et débranchez-le de sa source d'alimentation.
2. Nettoyez les événements avec une petite brosse ou un aspirateur équipé d'une petite brosse.
3. N'employez pas de détergents concentrés sur le boîtier ou les pièces en plastique. Ils peuvent être endommagés par certains nettoyants ménagers contenant des huiles aromatiques tel que le pin et le citron, et par des solvants tel que le kérosène ou l'acétone. L'humidité peut aussi provoquer l'électrocution. Essuyez toute trace d'humidité à l'aide d'un tissu doux.

## INSPECTION DES FILS DE RALLONGE

Inspectez toutes les rallonges. Soyez à l'affût de signes de détérioration, de coupures ou de fissures dans l'isolation. Vérifiez que les connexions ne sont pas endommagées. Remplacez les cordons défectueux ou endommagés.

## ENTREPOSAGE

- Laissez le moteur se refroidir avant de l'entreposer.
- Rangez l'appareil dans un lieu verrouillé pour éviter toute utilisation ou accident indésirable.
- Rangez l'appareil dans un lieu sec et bien aéré.
- Rangez l'appareil hors de la portée des enfants.

# DÉPANNAGE

## MOTEUR REFUSE DE DÉMARRER

### CAUSE

Moteur s'arrête ou le cordon électrique

Déclenchement du commutateur de protection contre les surcharges

### ACTION

Vérifier le cordon électrique et s'assurer qu'il est branché dans une prise électrique

Réarmez-le

## LA TÊTE DE COUPE NE FAIT PAS AVANCER LE FIL

### CAUSE

Accessoire de coupe engorgé d'herbes

Accessoire de coupe mal aligné

Moulinet intérieur bloqué

Tête de coupe sale

Fil soudé

Fil tordu durant la recharge

Quantité insuffisante de fil exposée

### ACTION

Arrêtez le moteur et nettoyez l'accessoire

Chargez du fil neuf

Remplacez le moulinet

Nettoyez le moulinet intérieur et la bobine extérieure

Démontez et déposez la partie soudée, et rembobinez le fil

Démontez puis rembobinez le fil

Enfoncez le bouton de butée et tirez le fil jusqu'à en extraire 102 mm (4 po) à l'extérieur de l'accessoire de coupe

## LE FIL DE COUPE AVANCE DE MANIÈRE INCONTRÔLÉE

### CAUSE

Présence d'huile dans la tête de coupe

### ACTION

Nettoyez l'accessoire de coupe

**Si vous avez besoin d'aide, contactez votre concessionnaire agréé.**

# CARACTÉRISTIQUES

## MOTEUR

Type de moteur .....	Électrique, 120 volts c.a.
Vitesse nominale (tours minute).....	7,400 tours / mn
Commutateur de démarrage .....	Déclencheur
Intensité.....	4,7 amps

## ARBRE D'ENTRAÎNEMENT ET ACCESSOIRE DE COUPE

Logement de l'arbre d'entraînement .....	Tube en acier
Poids de l'appareil (avec accessoire de coupe, protecteur d'accessoire de coupe et poignée en D).....	4,1 kg (9 lb)
Mécanisme de coupe .....	Bump Head <sup>MC</sup>
Diamètre de la bobine de fil.....	76,2 mm (3 po)
Diamètre du fil.....	1,65 mm (0,065 po)
Diamètre du chemin de coupe.....	38,1 cm (15 po)

## GARANTIE LIMITÉE DU FABRICANT POUR:



La garantie limitée énoncée ci-après est accordée par Troy-Bilt LLC et concerne les marchandises neuves achetées et utilisées aux États-Unis, ses possessions et territoires.

Troy-Bilt LLC garantit ce produit contre tout vice de matière ou de façon pendant une période de deux (2) ans à compter de la date d'achat initiale et elle se réserve le choix de réparer ou de remplacer, à titre gratuit, toute pièce présentant un vice de matière ou de façon. Cette garantie limitée ne s'appliquera que dans la mesure où le produit aura été utilisé et entretenu conformément au Manuel de l'utilisateur fourni avec le produit et n'aura pas fait l'objet d'un usage inadéquat, abusif, commercial ou négligent, d'un accident, d'un entretien inadéquat, d'une modification, de vandalisme, d'un vol, d'un incendie, de dégâts d'eau ou d'un endommagement résultant d'un autre péril ou d'un désastre naturel. Les dommages résultants de l'installation ou de l'utilisation de tout accessoire ou équipement non approuvé par Troy-Bilt pour une utilisation avec le(s) produit(s) couvert(s) par le présent manuel annuleront la garantie en ce qui concerne les dommages qui en résulteraient éventuellement. La présente garantie est limitée à quatre-vingt-dix (90) jours à compter de la date d'achat au détail initiale pour tout produit Troy-Bilt utilisé à des fins locatives ou commerciales, ou toute utilisation produisant des revenus.

**POUR L'OBTENTION DU SERVICE DE GARANTIE :** le service au titre de la garantie est disponible, SUR PRÉSENTATION D'UNE PREUVE D'ACHAT, AUPRÈS DU DISTRIBUTEUR AGRÉÉ LOCAL. Pour trouver un distributeur dans votre région, visitez notre site Web [www.troybilt.com](http://www.troybilt.com), consultez les Pages Jaunes, appelez le 1 (866) 840-6483 ou le 1 (330) 558-7220 ou écrivez à l'adresse Troy-Bilt LLC, PO Box 361131, Cleveland, OH 44136-0019.

**La garantie limitée n'offre aucune couverture dans les cas suivants :**

- A. Mises au point : bougies, réglages de carburateur, filtres
- B. Éléments pouvant s'user : boutons de butée, bobines extérieures, fil de coupe, moulins intérieurs, poulie du démarreur, cordons de démarrage, courroies d'entraînement
- C. Troy-Bilt LLC n'accorde aucune garantie pour les produits vendus ou exportés des États-Unis d'Amérique, de leurs possessions et territoires, exception faite en ce qui concerne les produits vendus par l'intermédiaire de ses canaux agréés de distribution à l'exportation.

Troy-Bilt LLC se réserve le droit de modifier ou d'améliorer la conception de ses produits sans pour autant assumer l'obligation de modifier tout produit d'une fabrication plus ancienne.

**Aucune garantie implicite, y compris toute garantie de valeur marchande ou d'adaptation à une fin particulière, ne s'applique après la période applicable de garantie expresse écrite ci-dessus concernant les pièces qui sont identifiées. Aucune autre garantie ou caution expresse, écrite ou orale, à l'exception de celle mentionnée ci-dessus, accordée par toute personne ou entité, y compris tout distributeur ou détaillant, concernant tout produit n'engagera la responsabilité de Troy-Bilt LLC. Pendant la période de garantie, le recours exclusif est la réparation ou le remplacement du produit dans les conditions énoncées ci-dessus. (Certains états ne permettent pas la limitation de la garantie implicite, il est donc possible que la limitation ci-dessus ne s'applique pas à vous.)**

**Les clauses énoncées dans la présente Garantie constituent le recours unique et exclusif inhérent aux ventes. Troy-Bilt LLC ne sera en aucun cas tenue pour responsable de tout dommage indirect ou consécutif ou de dommages comprenant, entre autres, les dépenses encourues du fait du recours à des services de remplacement ou de substitution pour l'entretien des pelouses, le transport ou des frais connexes, ou les frais entraînés par une location destinée à remplacer provisoirement un produit sous garantie. (Certains états ne permettent pas la limitation de la garantie implicite, il est donc possible que la limitation ci-dessus ne s'applique pas à vous.)**

Aucun recouvrement, quel qu'il soit, ne sera d'un montant supérieur au prix du produit vendu. Toute modification des dispositifs de sécurité du produit annulera la présente Garantie. Vous assumez tout risque et toute responsabilité résultant de la perte, de l'endommagement ou du préjudice que vous et votre propriété et/ou d'autres et leur propriété pourront encourir d'un fait de l'utilisation normale, de la mauvaise utilisation ou de l'incapacité d'utiliser le produit.

La présente garantie limitée n'est accordée qu'à l'acheteur initial, au preneur initial ou à la personne à laquelle le produit a été offert.

**Le Droit des États vis à vis de la présente garantie :** la présente garantie vous confère certains droits juridiques et vous pouvez bénéficier d'autres droits lesquels varient d'un état à l'autre.

Pour obtenir l'adresse du distributeur réparateur le plus proche, composez le : 1 (866) 840-6483.

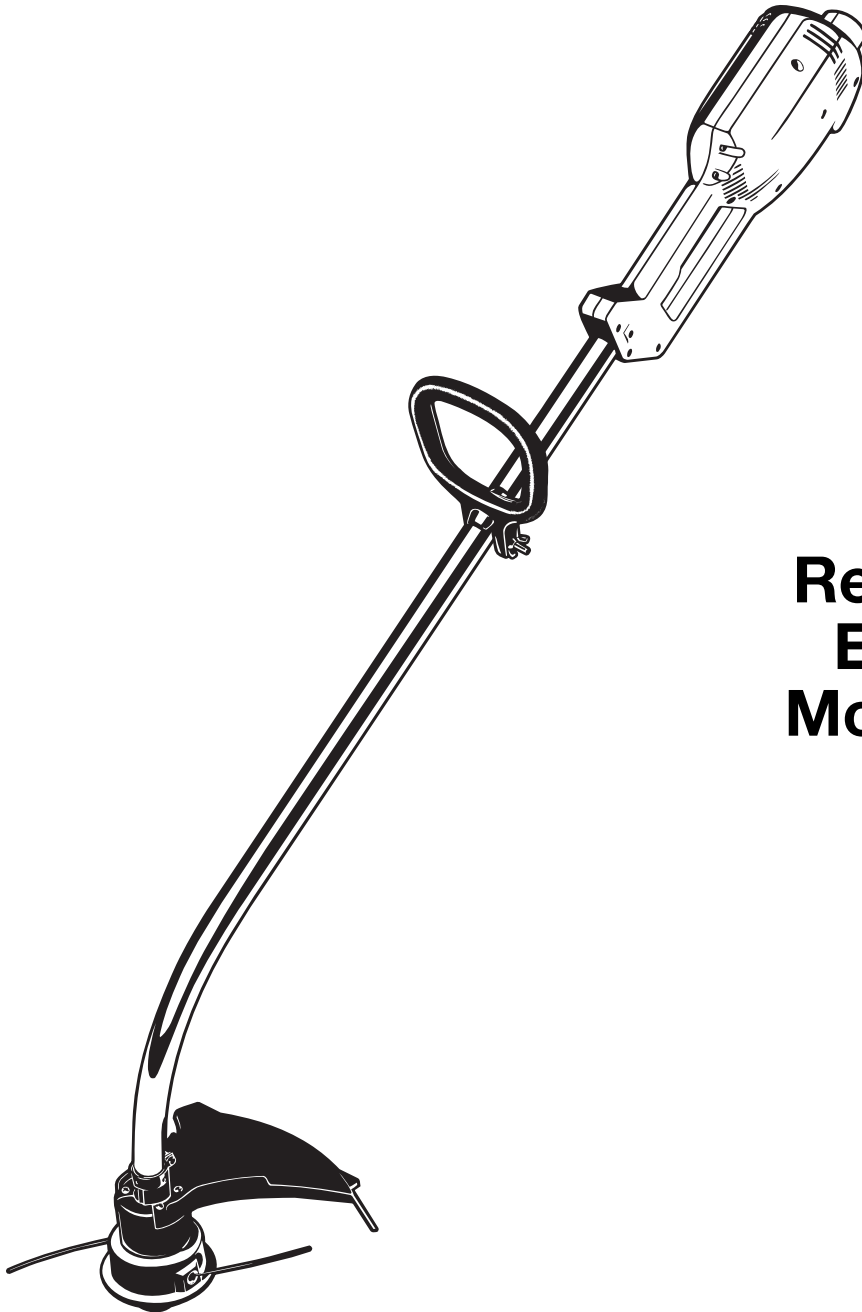
**Troy-Bilt LCC**

PO Box 361131

Cleveland, OH 44136-0019



# Manual del Operador



**Recortador  
Eléctrico  
Model TB50**



**IMPORTANTE: LEA LAS REGLAS DE SEGURIDAD E INSTRUCCIONES DETENIDAMENTE**

P/N 769-02584

(6/06)

# INTRODUCCION

## MUCHAS GRACIAS

Gracias por haber adquirido este gran producto. Esta moderna herramienta motriz de exteriores está diseñada para brindarle muchas horas de servicio útil. Usted comprobará que es un artefacto que le ahorrará mucho trabajo. Este manual del operador le brinda instrucciones de operación de fácil comprensión. Lea todo el manual y siga todas las instrucciones para mantener su nueva herramienta motriz de exteriores en las mejores condiciones de funcionamiento.

## REFERENCIAS, ILUSTRACIONES Y ESPECIFICACIONES DEL PRODUCTO

Toda la información, las ilustraciones y las especificaciones contenidas en este manual se basan en la información más reciente disponible en el momento de impresión del manual. Nos reservamos el derecho de hacer cambios en cualquier momento sin aviso previo.

Copyright© 2004 MTD SOUTHWEST INC. Todos los derechos reservados.

## INFORMACION DEL SERVICIO

El servicio de esta unidad, ya sea durante o después del período cubierto por la garantía, debe ser realizado solamente por un proveedor de servicios autorizado y aprobado.

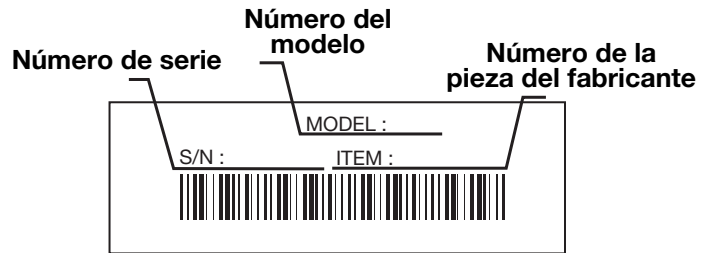
El servicio de esta unidad, ya sea durante o después del período cubierto por la garantía, debe ser realizado solamente por un proveedor de servicios autorizado y aprobado. Llame **1-800-520-5520** para obtener una lista de distribuidores de servicio localizados cerca de usted. Para obtener más detalles sobre su unidad, visite nuestro sitio en **www.troybilt.com**.

**NO REGRESE SU UNIDAD AL VENDEDOR. PARA SOLICITAR SERVICIO POR LA GARANTIA, DEBERA PRESENTAR PRUEBA DE SU COMPRA.**

## INDICE DE CONTENIDOS

Llamadas a apoyo al cliente . . . . .	2
Normas para una operación segura . . . . .	3
Conozca su unidad . . . . .	7
Instrucciones de ensamble . . . . .	8
Instrucciones de operación . . . . .	9
Instrucciones de mantenimiento y reparación . . . .	11
Cuadro de solución de problemas . . . . .	14
Especificaciones . . . . .	15
Garantía . . . . .	20
Lista de Piezas . . . . .	Contraportada

Antes de que empiece a ensamblar su nuevo equipo, por favor ubique la placa que contiene el modelo de la unidad y escriba esa información en el espacio en blanco aquí debajo. Aquí debajo se explica la muestra de una placa del modelo.



**Copie el número del modelo/ pieza del fabricante aquí:** \_\_\_\_\_

**Copie el número de serie aquí:** \_\_\_\_\_

*Antes de arrancar u operar este equipo, asegúrese de leer y comprender bien este manual.*

ESTE PRODUCTO ESTA CUBIERTO POR UNA O MAS PATENTES DE EE.UU., OTRAS PATENTES EN TRAMITE.

# NORMAS PARA UNA OPERACION SEGURA

Los símbolos de seguridad se utilizan para llamar su atención sobre posibles peligros. Los símbolos de seguridad y sus explicaciones merecen toda su atención y comprensión. Los símbolos de seguridad no eliminan ningún peligro por sí mismos. Las instrucciones o advertencias que ofrecen no substituyen las medidas adecuadas de prevención de accidentes.

## SIMBOLO SIGNIFICADO



### ALERTA DE SEGURIDAD:

Indica peligro, advertencia o precaución. Debe prestar atención para evitar sufrir graves lesiones personales. Puede ser utilizado junto con otros símbolos o figuras.

**NOTA:** Le ofrece información o instrucciones que son esenciales para la operación o mantenimiento del equipo.

## SIMBOLO SIGNIFICADO



**PELIGRO:** El no obedecer una advertencia de seguridad puede conducir a que usted u otras personas sufran graves lesiones. Siga siempre las precauciones de seguridad para reducir el riesgo de incendio, descarga eléctrica y lesiones personales.



**ADVERTENCIA:** El no seguir una advertencia de seguridad puede conducir a que usted u otras personas sufran lesiones. Siga siempre las precauciones de seguridad para reducir el riesgo de incendio, descarga eléctrica y lesiones personales.



**PRECAUCION:** El no seguir una advertencia de seguridad puede conducir a daño patrimonial o a que usted u otras personas sufran lesiones personales. Siga siempre las precauciones de seguridad para reducir el riesgo de incendio, descarga eléctrica y lesiones personales.

## • IMPORTANTE INFORMACION DE SEGURIDAD •

### LEA TODAS LAS INSTRUCCIONES

#### ANTES DE LA OPERACIÓN

- Lea todas las instrucciones con cuidado. Conozca bien los controles y el uso correcto de la unidad.
- No opere esta unidad si está cansado, enfermo, o bajo los efectos del alcohol, drogas o medicamentos.
- Los niños y los adolescentes menores de 15 años no deben operar las unidades, excepto por los adolescentes guiados por un adulto.
- Inspeccione la unidad antes de utilizarla. Cambie las partes dañadas. Asegúrese de que los sujetadores estén bien colocados y asegurados. Cambie las partes accesorias de corte que estén quebradas, cascadas o dañadas de cualquier forma. Asegúrese de que el accesorio de corte está bien instalado y ajustado con firmeza. Asegúrese de que la protección accesorias de corte esté bien conectada y colocada según se recomienda.
- Use sólo línea de repuesto fabricante del equipo original de 1,65 mm (0,065 pulgadas) de diámetro. No use nunca línea reforzada con metal, alambre, cadena ni sogas, etc. Estas pueden desprenderse y convertirse en un proyectil peligroso.
- Tenga en cuenta el riesgo de lesiones en la cabeza, manos y pies.

- Esta unidad no fue diseñada para ser usada como cortamalezas. No conecte ni opere esta unidad con ningún tipo de cuchilla ni accesorio para cortar malezas.
- Limpie el área de corte antes de cada uso. Retire todos los objetos como rocas, vidrios rotos, clavos, alambre o cuerda los cuales pueden ser despedidos o enredarse en el accesorio de corte. Aleje a todos los niños, espectadores y animales domésticos. Mantenga todos los niños, espectadores y animales domésticos a un radio de por lo menos 15 m (50 pies); aún así puede existir un riesgo de objetos despedidos contra los espectadores. Los espectadores deben usar protección para sus ojos. Si alguien se le acerca, pare el motor y el accesorio de corte de inmediato.

### ADVERTENCIAS DE SEGURIDAD ELECTRICA



**ADVERTENCIA:** Cuando use artefactos eléctricos de jardinería, siempre debe tomar precauciones básicas de seguridad para reducir el riesgo de incendio, de descarga eléctrica y de lesiones personales. Lea con cuidado y comprenda todo el manual del operador antes de usar su soplador / aspirador. Preste mucha atención a las instrucciones de operación y a las advertencias de seguridad.

# NORMAS PARA UNA OPERACION SEGURA

- Puede utilizar un cable de extensión de 2 alambres (o sea, sin alambre de tierra), ya que la herramienta tiene doble aislación. Sin embargo, puede usarse también un cable de extensión de 3 alambres (un cable de extensión con alambre de tierra) que utilice un conector tipo NEMA (patillas paralelas, tierra en "U"). Puede adquirir cables de extensión en su comercio local. Utilice únicamente cables de extensión de camisa cilíndrica aprobados para uso al aire libre.
- Esta herramienta tiene doble aislación. Repare o sustituya los cables dañados.
- Para reducir el riesgo de choques eléctricos, esta unidad tiene un enchufe polarizado (una patilla es más ancha que la otra). Esta unidad calza en un enchufe polarizado de una sola manera. Si el enchufe no calza totalmente en la unidad, invértalo. Si tampoco calza así, utilice un cable con la conexión correcta. No modifique el cable ni la unidad de manera alguna.

TAMAÑO MINIMO DE ALAMBRE PARA LOS CABLES DE EXTENSION PARA APARATOS DE 120 VOLTIOS QUE UTILIZAN 0-6 AMPERIOS*				
Long. de cable (pies)	25	50	100	150
Cal. del alambre (AWG)*	16	16	16	14

\*El calibre del cable (AWG) para la capacidad nominal en amperios de 12 a 16 amperios es de 14 AWG para 25 pies, 12 AWG para 50 pies y no se recomienda para 100 o 150 pies.

- Debe proveerse protección de interrupción de circuito accionada por corriente de pérdida a tierra (GFCI) para el/los circuito(s) o toma(s) que se utilizarán para esta unidad. Existen receptáculos disponibles que tienen protección GFCI incorporada y pueden ser utilizados para esta medida de seguridad.



**ADVERTENCIA:** Para reducir el riesgo de choque eléctrico, utilice únicamente cables de extensión aprobados para uso al aire libre, por ejemplo un cable tipo SW-A, SOW-A, STW-A, STOW-A, SJW-A, SJOW-A, SJTW-W, o SJTOW-A.

- **CABLES DE EXTENSION:** Verifique que el cable esté en buenas condiciones. Cuando utilice un cable de extensión, verifique que el mismo sea lo suficientemente pesado para conducir la corriente consumida por la unidad. Si utiliza un cable demasiado liviano, esto ocasionará una caída de voltaje de la línea, y en consecuencia una pérdida de potencia y un sobrecalentamiento. La tabla siguiente muestra cuál es el tamaño correcto a usar, de acuerdo con la longitud del cable y el amperaje nominal que aparece en la placa de datos de la máquina. Si está en duda, utilice el siguiente tamaño más pesado. Cuanto menor es el calibre, más pesado es el cable. Para reducir la posibilidad de que la unidad se desconecte del cable de extensión durante el uso, vea la *Instrucciones de Operacion*.

- La placa de datos de la unidad indica qué voltaje utiliza la misma. Nunca conecte la unidad a un voltaje de corriente alterna diferente.
- No abuse del cable. No transporte nunca la unidad llevándola del cable ni desenchufe la unidad del receptáculo tirando del cable. Mantenga el cable lejos del calor, aceite y bordes afilados.
- Inspeccione periódicamente todos los cables de extensión y la conexión de la unidad a la corriente. Revise el cable con cuidado para ver si hay deterioros, cortes, o grietas en la aislación. Inspeccione también las conexiones para ver si han sufrido daños. Si observa algún defecto, repare o reemplace los cables.
- Evite los ambientes peligrosos. Nunca utilice la unidad en ambientes húmedos o mojados. La humedad crea peligro de choque eléctrico.
- No utilice la unidad bajo la lluvia.
- No toque el enchufe o la unidad con las manos mojadas.

## DURANTE LA OPERACION

- Use anteojos o gafas de protección que indiquen que cumplen con las normas ANSI Z87.1, y use protección para sus oídos y audición cuando opere esta unidad. Use una pantalla facial o una máscara para polvo si la operación levanta polvo.
- Use pantalones gruesos y largos, botas, guantes y camisa de manga larga. No use ropa holgada, alhajas, pantalones cortos, sandalias ni esté descalzo. Sostenga su cabello sobre el nivel de sus hombros.
- El protector accesorio de corte debe estar siempre colocado en su lugar mientras opere la unidad como recortador. No opere la unidad con las dos líneas de corte extendidas, y la línea correcta instalada. No extienda la línea de corte más allá de la longitud de la protección.
- Ajuste la manija en D a su medida para brindarle el mejor agarre.
- La protección accesorio de corte debe estar siempre colocada en su lugar mientras opere la unidad. No opere la unidad con las dos líneas de corte extendidas, y la línea correcta instalada. No extienda la línea de corte más allá de la longitud de la protección.
- Asegúrese de que el accesorio de corte no está en contacto con ningún objeto antes de arrancar la unidad.
- Use la unidad únicamente con la luz del día o con buena luz artificial.
- Evite los arranques accidentales. No transporte la unidad enchufada con su dedo en el interruptor. Verifique que el interruptor esté apagado cuando enchufe la unidad.



# NORMAS PARA UNA OPERACION SEGURA

- Use la herramienta adecuada. No use esta unidad para ninguna tarea para la cual no ha sido diseñada.
- No se estire demasiado. Mantenga siempre una posición y equilibrio adecuados.
- Sostenga siempre la unidad con ambas manos mientras esté en funcionamiento. Sostenga con firmeza tanto el mango como la manija auxiliar.
- Mantenga las manos, la cara y los pies lejos de todas las partes móviles. No intente tocar ni detener el accesorio de corte mientras gira.
- No fuerce la unidad. Hará una mejor labor y con menos probabilidad de riesgo si se usa a la velocidad para la cual fue diseñada.
- Apague siempre la unidad cuando la operación se demore o mientras camina entre zonas de corte.
- Si golpea o se enreda con un objeto extraño, apague la unidad de inmediato y verifique si existen daños. Repare todos los daños antes de volver a intentar operar la unidad. No opere la unidad si tiene piezas flojas o dañadas.
- Use sólo piezas y accesorios de repuesto fabricante del equipo original para esta unidad. Estas piezas están disponibles en su distribuidor autorizado. No use piezas, accesorios ni auxiliares que no hayan sido diseñados para esta unidad. Su uso puede conducir a que el usuario sufra graves lesiones o al daño de la unidad y a la invalidación de su garantía.

- Apague y desenchufe la unidad para realizar mantenimiento, reparaciones, o para cambiar el accesorio de corte u otros accesorios.
- Mantenga la unidad libre de vegetación y otros materiales. Pueden alojarse entre el accesorio de corte y la protección.

## OTRAS ADVERTENCIAS DE SEGURIDAD

- Asegúrese de sujetar la unidad mientras la transporta.
- Guarde la unidad en un lugar seco, bien sea bajo llave o suficientemente alto para que evite el uso no autorizado o daños. Manténgala fuera del alcance de los niños.
- Nunca remoje o chorree la unidad con agua o cualquier otro líquido. Mantenga los mangos secos, limpios y libres de escombros. Límpiela después de cada uso, vea las *Instrucciones de Limpieza y Almacenamiento*.
- Conserve estas instrucciones. Consúltelas con frecuencia y úselas para instruir a otros usuarios. Si le presta esta unidad a otras personas, también incluya las instrucciones.

## CONSERVE ESTAS INSTRUCCIONES

# NORMAS PARA UNA OPERACION SEGURA

## SIMBOLOS DE SEGURIDAD E INTERNACIONALES

Este manual del operador describe los símbolos y figuras de seguridad e internacionales que pueden aparecer en este producto. Lea el manual del operador para obtener información completa acerca de la seguridad, ensamble, operación y mantenimiento y reparación.

### SIMBOLO

### SIGNIFICADO



- **SIMBOLO DE ALERTA DE SEGURIDAD**

Indica peligro, advertencia o precaución. Puede ser utilizado junto con otros símbolos o figuras.



- **ADVERTENCIA - LEA EL MANUAL DEL OPERADOR**

Lea el manual del operador y siga todas las advertencias e instrucciones de seguridad. De no hacerlo, el operador y/o los espectadores pueden sufrir graves lesiones.



- **LOS OBJETOS DESPEDIDOS Y LA CUCHILLA ROTATIVA PUEDEN CAUSAR GRAVES LESIONES**

**ADVERTENCIA:** No opere esta unidad si la protección plástica de línea no está colocada en su lugar. Manténgase alejado del accesorio de corte giratorio.

### SIMBOLO

### SIGNIFICADO



- **MANTENGA ALEJADOS A LOS ESPECTADORES**

## ADVERTENCIA:

Mantenga a todos los espectadores, en especial a niños y animales domésticos a por lo menos 15 m (50 pies) del área de corte.



- **USE PROTECCION OCULAR Y AUDITIVA**

**ADVERTENCIA:** Los objetos arrojados por la unidad y el ruido fuerte pueden causar graves lesiones oculares y pérdida auditiva. Utilice protección ocular que cumpla con las normas ANSI Z87.1 y protección auditiva cuando opere esta unidad. Use una careta completa cuando la necesite.



- **AISLAMINETO DOBLE**

Existen dos sistemas de aislamiento en vez de conexión a tierra. No se proporciona ningún medio de conexión a tierra en una unidad de aislamiento doble, ni deben agregarse medios de conexión a tierra a esta unidad.

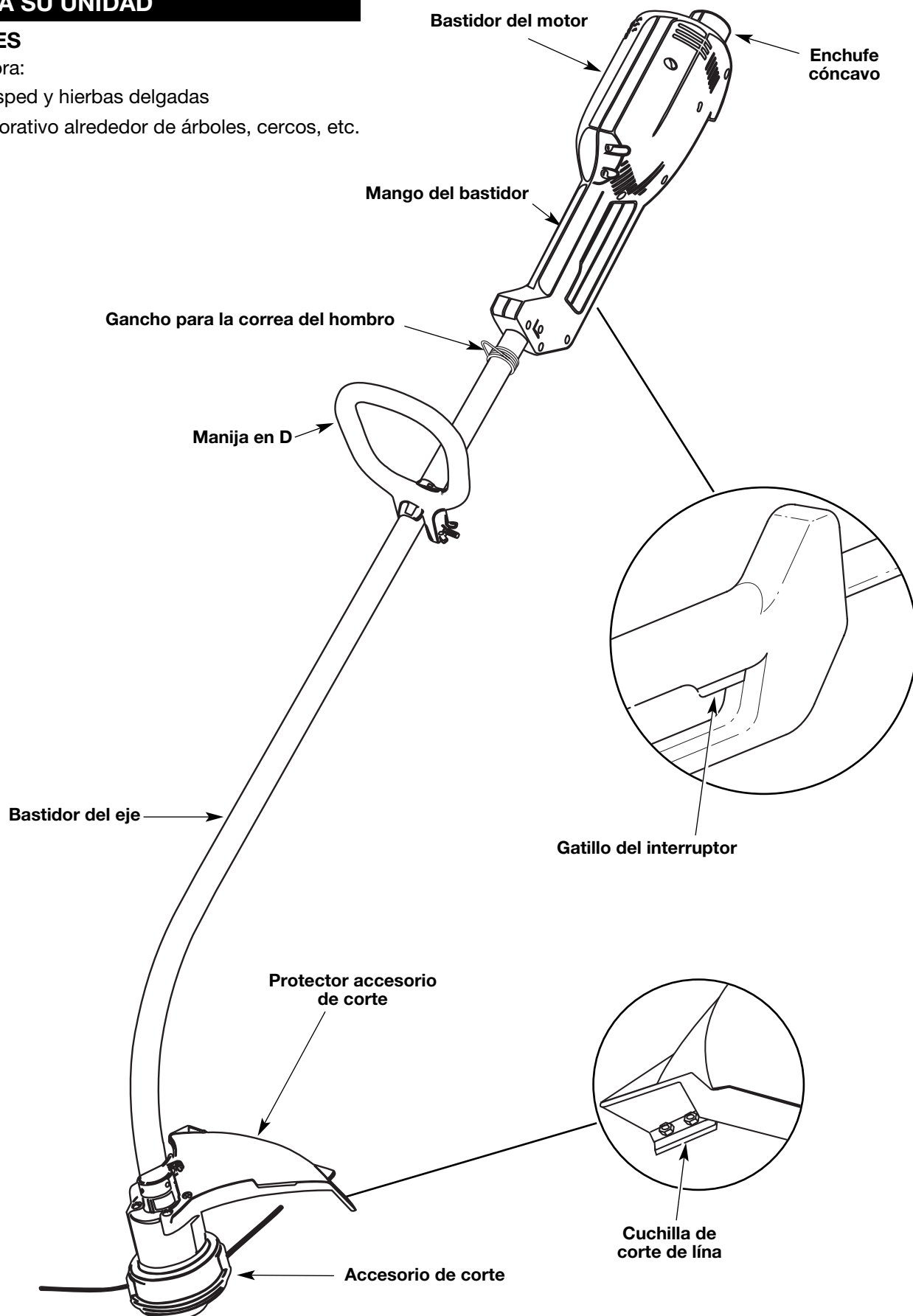
# NORMAS PARA UNA OPERACION SEGURA

## CONOZCA SU UNIDAD

### APLICACIONES

Como recortadora:

- Corte de césped y hierbas delgadas
- Recorte decorativo alrededor de árboles, cercos, etc.



# INSTRUCCIONES DE ENSAMBLE

## INSTALACIÓN Y AJUSTE DE LA MANIJA EN D

1. Empuje la manija en D hacia abajo sobre el bastidor del eje de modo que la manija se incline hacia adelante del mango del eje (Fig. 1). El orificio del perno cuadrado de la manija queda hacia la derecha.
2. Coloque el perno del hombro en el orificio cuadrado en la manija y empújelo. Ponga la arandela en el perno al lado izquierdo de la manija y enrosque la tuerca de mariposa en el perno. No la apriete hasta que ajuste el mango.
3. Gire la manija en D para colocar el mango sobre la parte superior del bastidor del eje. Colóquela a por lo menos 15,24 cm (6 pulgadas) del extremo del mango del eje.

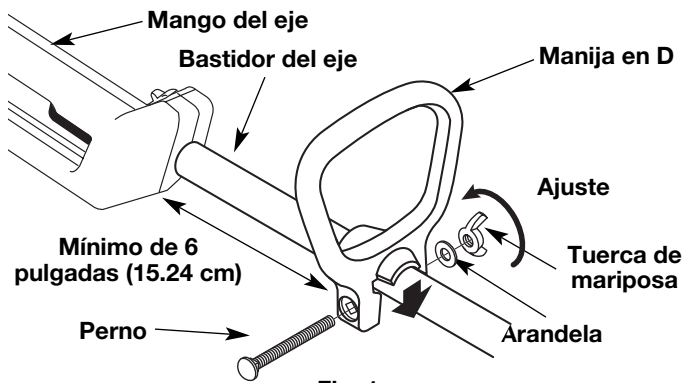


Fig. 1

4. Mientras sostiene la unidad en posición de operación (Fig. 2), coloque la manija en D en el lugar que le brinde el mejor agarre.
5. Ajuste la tuerca de mariposa hasta que la manija en D quede firme.



Fig. 2

## INSTALACION DEL PROTECTOR ACCESORIO DE CORTE

Siga las siguientes instrucciones si el protector accesorio de corte no está instalado en su unidad.



**ADVERTENCIA:** No opere nunca la recortadora sin el protector accesorio de corte colocado en su lugar para evitar graves lesiones personales.

1. Coloque el protector accesorio de corte sobre el bastidor del eje por encima del ensamble de la abrazadera (Fig. 3).
2. Empuje el protector accesorio de corte hacia abajo hasta la parte superior del ensamble del accesorio de corte y luego gire el protector accesorio de corte hasta que los orificios de los tornillos se alineen y la protección calza en la cavidad cóncava (Fig. 4).
3. Instale los tornillos con un destornillador Phillips (Fig. 5).

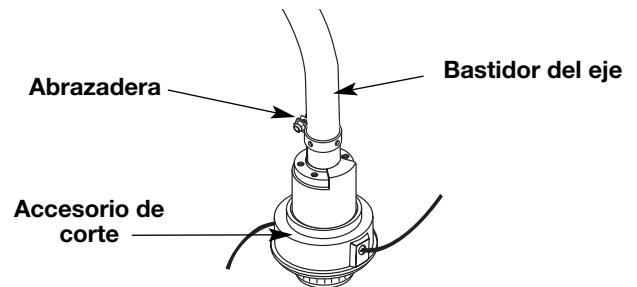


Fig. 4

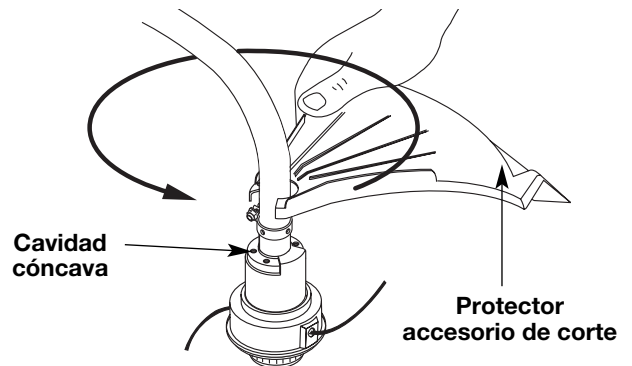


Fig. 5

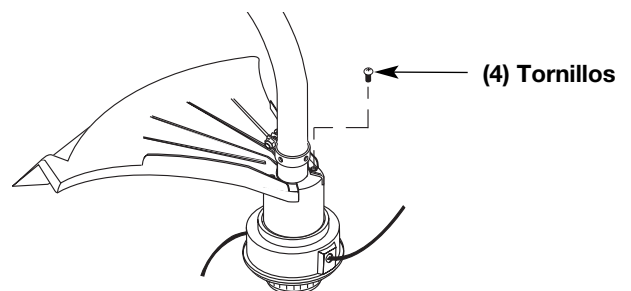


Fig. 6

# INSTRUCCIONES DE OPERACION

## CONEXION DEL CORDON DE ENERGIA

1. Use el gancho del cable sólo cuando conecte el cable de extensión al cordón de energía para evitar la desconexión (Fig. 6). Use sólo un cable de extensión aprobado para su uso en exteriores según se indica en la sección de Normas para una operación segura.
2. Asegure el cable de extensión al bastidor del motor según se indica (Fig. 6).

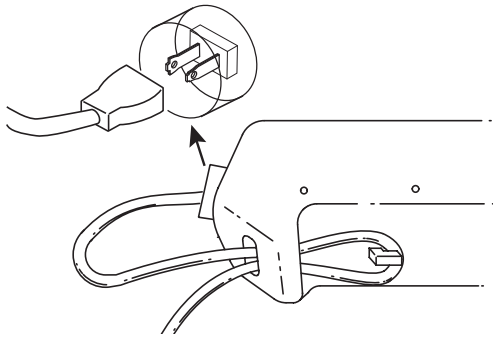


Fig. 6

## ARRANQUE/ APAGADO DE LA UNIDAD

Colóquese en posición de operación (Fig. 8). Oprima el gatillo para arrancar el recortador (Fig. 7). Suelte el gatillo para apagar el recortador.



**ADVERTENCIA:** No use nunca línea reforzada con metal, alambre, cadena ni sogas, etc. Estos elementos pueden desprenderse y convertirse en un proyectil peligroso.

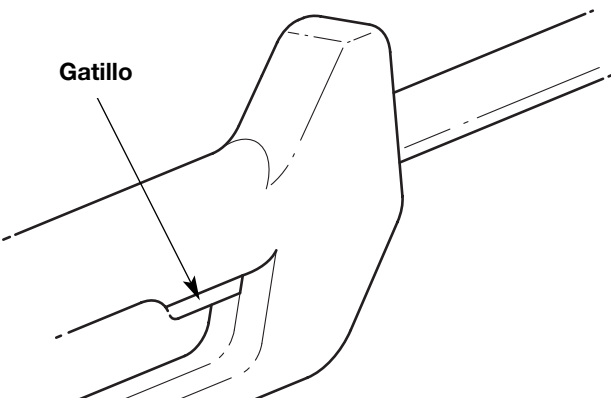


Fig. 7

## COMO SOSTENER EL RECORTADOR

Antes de operar esta unidad, párese en posición de operación (Fig. 8). Verifique lo siguiente:

- El operador tiene protección ocular y ropa adecuada.
- El brazo derecho está ligeramente doblado, y la mano sostiene el mango del bastidor.
- El brazo izquierdo está derecho, y la mano sostiene la manija en D.
- La unidad está debajo del nivel de la cintura.
- El accesorio de corte está paralelo al suelo y hace fácil contacto con la vegetación que va a ser cortada sin que el operador tenga que inclinarse.



Fig. 8

## AJUSTE DE LA LONGITUD DE LA LINEA DE CORTE

El accesorio de corte Bump Head™ le permite soltar línea de corte sin apagar el motor. Para soltar más línea, golpee suavemente el accesorio de corte contra el suelo (Fig. 9) mientras opera el recortador a alta velocidad.

**NOTA:** Mantenga siempre la línea de corte completamente extendida. Es más difícil soltar línea al acortarse la línea de corte.

Cada vez que se golpea la cabeza, se suelta alrededor de 25,4 mm (1 pulgada) de línea de corte. La cuchilla en la protección del accesorio de corte detendrá la línea en la longitud correcta si se suelta demasiada línea.

# INSTRUCCIONES DE OPERACION

Para obtener mejores resultados, golpee la Bump Head™ sobre terreno limpio o tierra dura. Si intenta soltar la línea sobre el césped alto, el motor podrá ahogarse. Mantenga siempre la línea de corte completamente extendida. Es más difícil soltar línea al acortarse la línea de corte.



**PRECAUCION:** No saque ni altere el ensamble de la cuchilla limitadora de línea. La longitud excesiva de la línea causará el recalentamiento del motor. Esto puede causar graves lesiones personales o daño a la unidad.

**NOTA:** No apoye la Bump Head™ sobre el suelo.

La línea puede cortarse por:

- Enredarse con un objeto extraño
- Fatiga normal de la línea
- Intentar cortar hierbas gruesas y leñosas
- Forzar la línea en objetos como paredes o postes de cercos

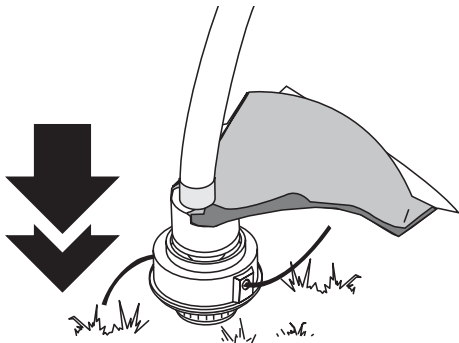


Fig. 9

## CONSEJOS PARA OBTENER MEJORES RESULTADOS AL RECORTAR

- El ángulo correcto para ubicar el accesorio de corte es paralelo al suelo.
- No fuerce el accesorio de corte. Permita que la punta de la línea realice el corte (en especial a lo largo de paredes). Si corta con más de la punta reducirá la eficacia del corte y puede sobrecargar el motor.
- Corte césped de más de 200 mm (8 pulgadas) trabajando de arriba hacia abajo en pequeños incrementos para evitar el desgaste prematuro de la línea y el arrastre del motor.

- Corte de derecha a izquierda siempre que sea posible. Cortar hacia la izquierda mejora la eficiencia de la unidad. Los recortes salen arrojados en sentido contrario al operador.
- Mueva lentamente el recortador dentro y fuera del área de corte a la altura deseada. Realice movimientos ya sea de adelante hacia atrás y viceversa, o de lado a lado. El corte en longitudes más cortas produce mejores resultados.
- Recorte únicamente cuando el pasto y las hierbas estén secas.
- La vida de su línea de corte depende de:
  - Seguir todas las técnicas de corte indicadas anteriormente
  - El tipo de vegetación que corte
  - El lugar donde se corta

Por ejemplo, la línea se desgastará más rápido cuando corte contra un muro que cuando corte alrededor de un árbol.

## RECORTE DECORATIVO

El recorte decorativo se realiza eliminando toda la vegetación de alrededor de los árboles, postes, cercos, etc.

Gire toda la unidad a modo de que el accesorio de corte se ubique a un ángulo de 30° con el suelo (Fig 10).

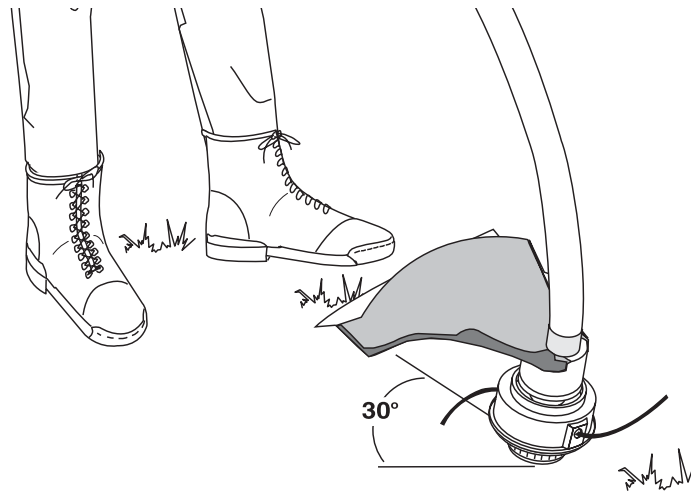


Fig. 10

# INSTRUCCIONES DE MANTENIMIENTO Y REPARACION

## SERVICIO DE LAS UNIDADES CON AISLAMIENTO DOBLE

Esta unidad cuenta con un aislamiento doble. En una unidad con aislamiento doble, existen dos sistemas de aislamiento en vez de conexión a tierra. No se proporciona ningún medio de conexión a tierra en una unidad de aislamiento doble, ni deben agregarse medios de conexión a tierra a esta unidad. El servicio de una unidad con aislamiento doble requiere mucho cuidado y conocimiento del sistema, y debe ser realizado únicamente por personal de servicio calificado. Las piezas de repuesto para una unidad con aislamiento doble deben ser idénticas a las piezas que reponen. Solicite todas las reparaciones a un proveedor de servicio autorizado. Una unidad de aislamiento doble está indicada con las palabras "double insulation" o "double insulated."

## INSTALACION DE LA LINEA

Esta sección cubre la instalación de la línea SplitLine™ y de la línea individual regular.

Use siempre línea de repuesto del fabricante del equipo original de 1,65 mm (0,065 pulg.). Una línea que no sea la indicada puede causar que el motor se recaliente o falle.



**ADVERTENCIA:** No use nunca línea reforzada con metal, alambre, cadena ni sogas, etc. Estos elementos pueden desprenderse y convertirse en un proyectil peligroso.

Existen dos métodos para cambiar la línea de corte.

- Bobine el carrete interior con línea nueva.
- Instale un carrete interior prebobinado

### Bobinado del carrete interior existente

1. Sostenga la bobina exterior con una mano y desenrosque la Bump Knob™ en sentido antihorario (Fig. 11). Inspeccione el perno de adentro de la perilla percusiva para verificar que se mueva con libertad. Cambie la perilla percusiva si está dañada.
2. Saque el carrete interior de la bobina exterior (Fig. 12).
3. Saque el resorte del carrete interior (Fig. 12).
4. Use un paño limpio para limpiar el carrete interior, el resorte, el eje y la bobina exterior.
5. Verifique el desgaste de los dientes de posición del carrete interior y bobina exterior (Fig. 13). Si es necesario, saque la rebaba o cambie el carrete y la bobina.

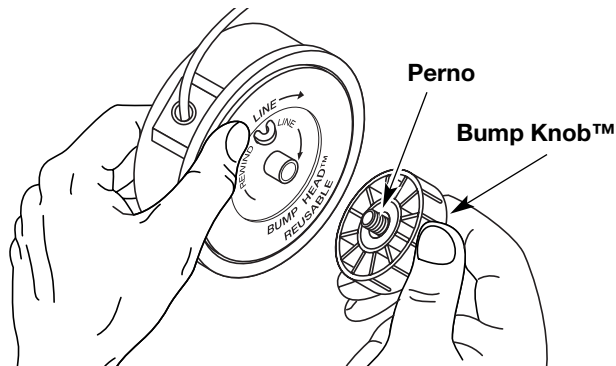


Fig. 11

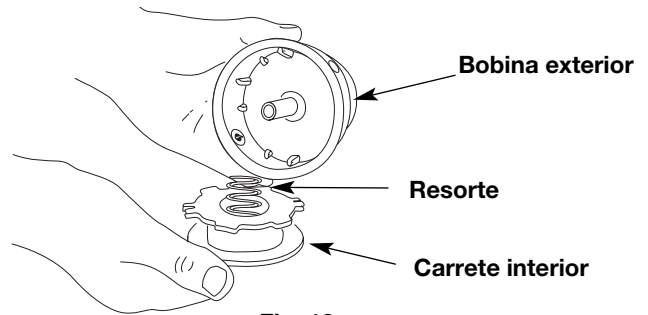


Fig. 12

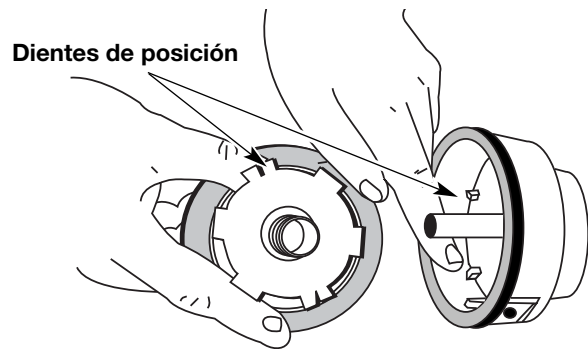


Fig. 13

**NOTA:** La línea SplitLine™ sólo puede usarse con el carrete interior con los orificios ranurados. La línea individual puede usarse en cualquier tipo de carrete interior. Use la Figura 14 para identificar el carrete interior que usted tiene.

**NOTA:** Use siempre la longitud correcta de línea cuando instale la línea de corte en la unidad. La línea puede no soltarse en forma adecuada si es demasiado larga.

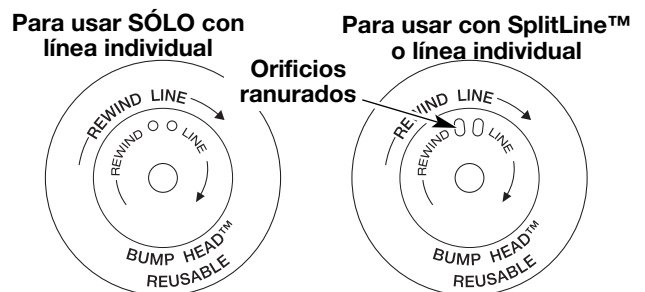


Fig. 14



# INSTRUCCIONES DE MANTENIMIENTO Y REPARACION

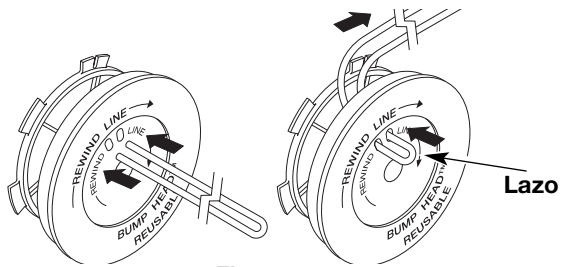


Fig. 15

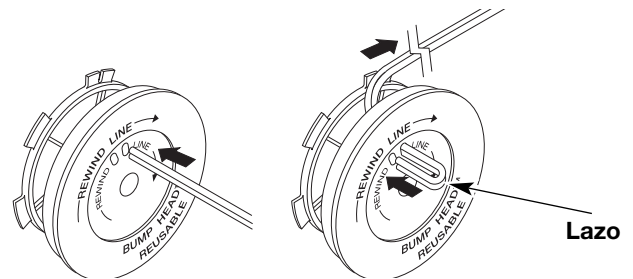


Fig. 17

## Instalación de la línea individual

Lea la instalación de la línea SplitLine™ en el paso 8

6. Tome aproximadamente 6 m (20 pies) de nueva línea de corte, enlácela en dos longitudes iguales. Inserte cada extremo de la línea a través de uno de los dos orificios del carrete interior (Fig. 15). Pase la línea a través del carrete interior de modo que el lazo sea lo más pequeño posible.
7. Bobine las líneas en capas parejas y ajustadas sobre el carrete (Fig. 16). Bobine la línea en la dirección indicada en el carrete interior. Coloque su dedo índice entre las dos líneas para evitar que se superpongan. No superponga los extremos de la línea. Proceda al paso 11.

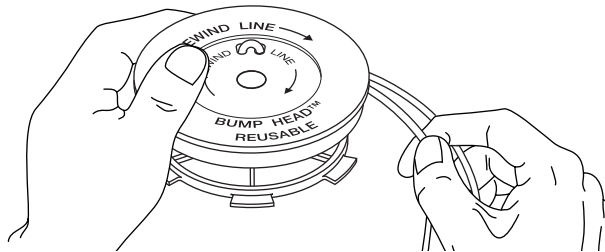


Fig. 16

## Instalación de la línea SplitLine™

8. Tome aproximadamente 3 m (10 pies) de nueva línea de corte. Inserte un extremo de la línea a través de uno de los orificios del carrete interior (Fig. 17). Pase la línea a través del carrete interior hasta que queden sólo 4 pulgadas fuera.
9. Inserte el extremo de la línea en el orificio abierto del carrete interior y tire de la línea en forma ajustada a fin de que el lazo sea lo más pequeño posible (Fig. 17).
10. Antes de bobinar, separe la línea alrededor de 6 pulgadas.
11. Bobine la línea en capas parejas y ajustadas en la dirección indicada en el carrete interior.

**NOTA:** Si no bobina la línea en la dirección indicada, el accesorio de corte no funcionará en forma correcta.

12. Inserte los extremos de la línea en las dos ranuras de fijación (Fig. 18).
13. Inserte los extremos de la línea a través de los ojillos de la bobina exterior y coloque el resorte dentro de la bobina exterior (Fig. 19). Empuje el carrete interior y la bobina exterior entre sí. Mientras sostiene el carrete interior y la bobina exterior, tome los extremos y tire con firmeza para soltar la línea de las ranuras de fijación de la bobina.

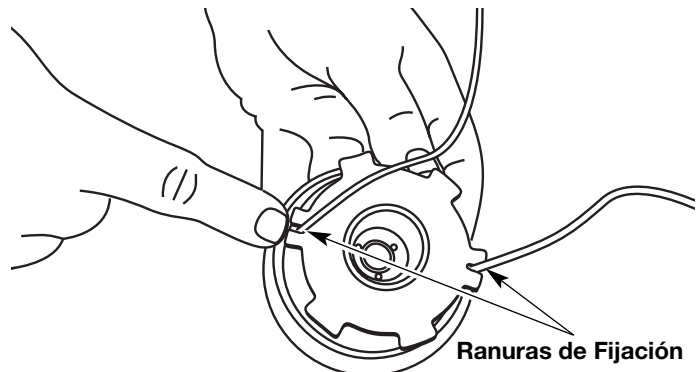


Fig. 18

**NOTA:** El resorte debe estar ensamblado en el carrete interior antes de volver a ensamblar el accesorio de corte.

14. Sostenga el carrete interior en su lugar y coloque e instale la perilla percusiva enroscándola en sentido horario. Ajuste bien.

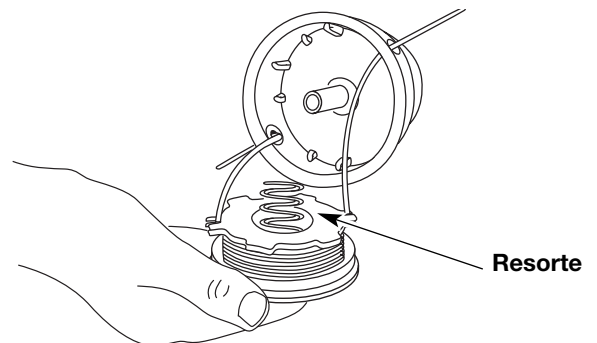


Fig. 19



# INSTRUCCIONES DE MANTENIMIENTO Y REPARACION

## INSTALACIÓN DE UN CARRETE PREBOBINADO

1. Sostenga la bobina exterior con una mano y desenrosque la perilla percusiva en sentido antihorario (Fig. 11). Inspeccione el perno dentro del botón de tope para verificar que se mueva con libertad. Cambie el botón de tope si está dañado.
2. Saque el carrete interior viejo de la bobina exterior (Fig. 12).
3. Saque el resorte del carrete interior viejo (Fig. 12).
4. Coloque el resorte en el carrete interior nuevo.

**NOTA:** El resorte debe estar ensamblado en el carrete interior antes de volver a instalar el accesorio de corte.

5. Inserte los extremos de la línea en los ojalillos de la bobina exterior (Fig. 19).
6. Coloque el nuevo carrete interior dentro de la bobina exterior. Empuje el carrete interior y la bobina exterior entre sí. Mientras sostiene el carrete interior y la bobina exterior, tome los extremos y tire con firmeza para soltar la línea de las ranuras de retención de la bobina.
7. Sostenga el carrete interior en su lugar e instale el botón de tope girándolo en sentido horario. Ajuste bien.



**ADVERTENCIA:** Para evitar graves lesiones personales, apague siempre su unidad y espere que se enfríe antes de limpiarlo o realizar cualquier tipo de mantenimiento.

## LIMPIEZA DE LA UNIDAD

1. Apague la unidad y desconecte de la fuente de energía.
2. Use un cepillo pequeño o la descarga de aire del cepillo de un aspirador para mantener los respiraderos libres de obstrucciones.
3. No use detergentes fuertes en el bastidor o en los componentes de plástico. Estos pueden dañarse con ciertos limpiadores domésticos que contienen aceites aromáticos como pino y limón, y con solventes como el queroseno o acetona. La humedad también puede crear un peligro de descarga eléctrica. Seque toda la humedad con un paño suave.

## INSPECCION DE LOS CABLES DE EXTENSION

Inspeccione todos los cables de extensión. Observe bien si no existe deterioro, cortes o grietas en el aislamiento. Inspeccione si hay daños en los conectores. Cambie los cables si están defectuosos o dañados.

## ALMACENAMIENTO

- Guarde la unidad en interiores, lejos de la unidad y sustancias nocivas como fertilizantes y solventes.
- Guarde la unidad en interiores en un lugar seco y bajo llave, o en un lugar alto y seco con el fin de evitar su uso no autorizado o su daño, lejos del alcance de los niños.

# RESOLUCION DE PROBLEMAS

## EL MOTOR NO ARRANCA

### CAUSA

El motor se detiene, o la unidad está desenchufada  
El interruptor de protección de sobrecarga ha saltado

### ACCIÓN

Revise el cable para ver si está enchufado a un tomacorriente  
Reajuste el interruptor de protección de sobrecarga

## LA CABEZA DE CORTE NO HACE AVANZAR LINEA

### CAUSA

El accesorio de corte está atascado de hierba  
El accesorio de corte no tiene línea  
El carrete interior está trabado  
La cabeza de corte está sucia  
La línea se ha soldado  
La línea se retorció al reponerla  
No hay suficiente línea expuesta

### ACCIÓN

Pare el motor y limpie el accesorio de corte  
Coloque una línea nueva  
Cambie el carrete interior  
Limpie el carrete interior y la bobina exterior  
Desarme, saque la sección soldada y rebobine la línea  
Desarme y rebobine la línea  
Oprima el botón de tope y tire de la línea hasta sacar 102 mm (4 pulgadas) de línea fuera del accesorio de corte.

## LA LÍNEA DE CORTE AVANZA SIN CONTROL

### CAUSA

El cabezal de corte tiene aceite

### ACCIÓN

Limpie el aditamento de corte

# ESPECIFICACIONES

## MOTOR

Tipo de motor .....	Eléctrico CA 120 voltios
RPM de operación .....	up to 7,400 rpm
Interruptor de encendido.....	Interruptor de gatillo transitorio
Amperaje.....	4,7 Amperios

## EJE IMPULSOR Y ACCESORIO DE CORTE

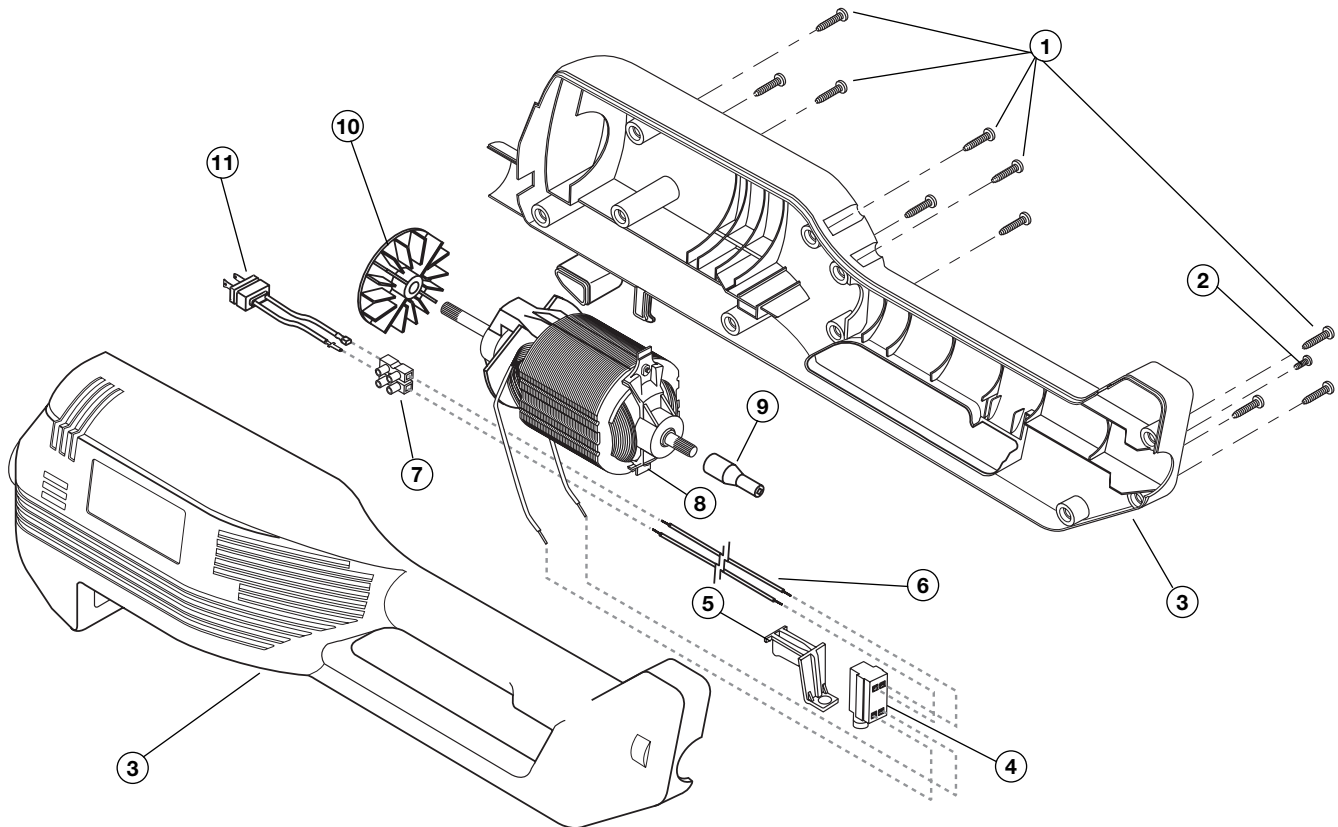
Bastidor del eje impulsor .....	Tubo de acero
Peso de la unidad (con el accesorio de corte, el protector accesorio de corte y la manija en D) .....	4,1 kg (9 lbs.)
Mecanismo de corte .....	Bump Head™
Diámetro de la bobina de línea .....	76,2 mm (3 pulg)
Diámetro de la línea de corte .....	1,65 mm (0,065 pulg)
Diámetro de la trayectoria de corte.....	38,1 cm (15 pulg)

# NOTAS

# NOTAS

# PARTS LIST

## MOTOR AND HOUSING PARTS—MODEL TB50 120 VOLT ELECTRIC TRIMMER

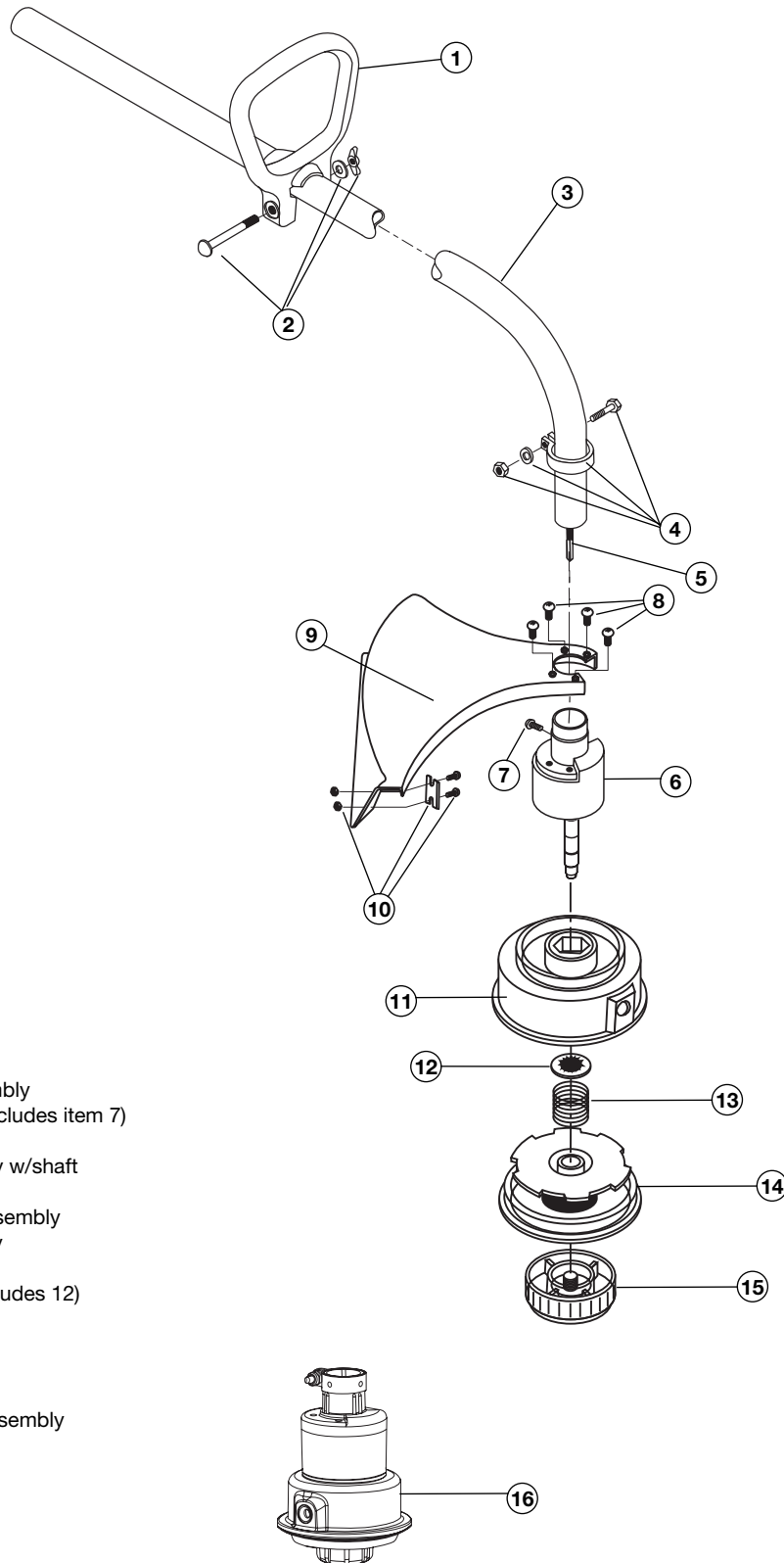


Item	Part No.	Description
1	791-180300	Screw, Housing Set
2	791-182519	Anti-Rotation Screw
3	753-04893	Motor Housing Assembly
4	791-180150	Switch
5	791-182318	Trigger
6	791-180559	Lead Wires
7	791-180305	Terminal Block
8	791-180153	Motor Assembly (includes 9 & 10)
9	791-180152	Driver
10	791-180155	Cooling Fan
11	791-181645	Recessed Plug Assembly

**CAUTION:** Only authorized service technicians should perform adjustments to double-insulated units.

# PARTS LIST

## BOOM AND TRIMMER PARTS - MODEL TB50 120 VOLT ELECTRIC TRIMMER



Item	Part No.	Description
1	791-153064	D-Handle Assembly
2	791-153317	D-Handle Hardware
3	791-180560	Drive Shaft Housing Assembly
4	791-153597	Lower Clamp Assembly (includes item 7)
5	791-180561	Flexible Drive Shaft
6	791-181784	Bushing Housing Assembly w/shaft
7	791-145569	Anti-Rotation Screw
8	791-180531	Guard Mounting Screw Assembly
9	791-683274	Guard and Blade Assembly
10	791-682061	Blade Assembly
11	791-153619	Outer Spool Assembly (includes 12)
12	791-610660	Retainer
13	791-610317B	Spring
14	753-1155	Inner Reel
15	791-153066B	Bump Head Knob
16	791-182172	Complete Cutting Head Assembly

### Optional Accessories

- \* 791-160425 Inner Reel W/.060 Line
- \* Not Shown

# GARANTÍA LIMITADA DEL FABRICANTE PARA:



Troy-Bilt LLC concede la garantía limitada establecida debajo para mercancías nuevas que sean compradas y usadas en los Estados Unidos, sus posesiones y territorios.

Troy-Bilt LLC garantiza este producto contra defectos en el material y la mano de obra durante un período de dos (2) años, a partir de la fecha de compra original y a su entera discreción, arreglará o substituirá sin costo alguno cualquier pieza cuyo material o mano de obra se considere defectuoso. Esta garantía limitada se deberá aplicar únicamente si este producto ha sido manejado y mantenido de acuerdo al Manual del Operario incluido con el producto y, si no ha sido sometido a mal uso, abuso, uso comercial, negligencia, accidente, mantenimiento inapropiado, alteración, vandalismo, hurto, fuego, agua o daños debidos a otros riesgos o desastre natural. Los daños ocasionados por la instalación o el uso de cualquier accesorio o aditamento que no esté aprobado por Troy-Bilt y que sea usado con el (los) producto(s) contemplados en este manual, anularán la garantía con respecto a cualquier daño resultante. Esta garantía está limitada a noventa (90) días a partir de la fecha de compra original al detalle de cualquier producto Troy-Bilt que se use para alquiler, para propósitos comerciales o cualquier otro propósito que genere ingresos.

**CÓMO OBTENER SERVICIO:** El servicio de garantía está disponible A TRAVÉS DE SU DISTRIBUIDOR DE SERVICIO LOCAL AUTORIZADO, AL PRESENTAR EL COMPROBANTE DE COMPRA. Para localizar al distribuidor en su área, visite nuestro sitio en Internet en [www.troybilt.com](http://www.troybilt.com), busque el aviso clasificado en las Páginas Amarillas, llame al 1 (866) 840-6483, 1 (330) 558-7220 o escriba a Troy-Bilt LLC, PO Box 361131, Cleveland, OH 44136-0019.

## **Esta garantía limitada no ofrece cobertura en los siguientes casos:**

- A. Sincronizaciones - bujías, ajustes de carburadores, filtros.
- B. Artículos de desgaste, perillas percusivas, carretes externos, línea de corte, carretes internos, polea de arranque, cuerdas de arranque, correas motoras.
- C. Troy-Bilt no le ofrece ninguna garantía a los productos que sean vendidos o exportados fuera de los Estados Unidos de América, sus posesiones y territorios, excepto aquellos que se vendan a través de los canales de distribución para exportación autorizados por Troy-Bilt.

Troy-Bilt se reserva el derecho a cambiar o mejorar el diseño de cualquier producto Troy-Bilt, sin adoptar ninguna obligación para modificar cualquier producto fabricado con anterioridad.

**Ninguna garantía implícita es aplicable después del período de aplicabilidad de la garantía expresa escrita con anterioridad, incluyendo cualquier garantía implícita de comerciabilidad o idoneidad para un propósito particular con respecto a las piezas identificadas. Exceptuando lo mencionado anteriormente, ninguna otra garantía expresa bien sea escrita o verbal con respecto a cualquier producto que sea concedida por cualquier persona o entidad, incluyendo al distribuidor o minorista, deberá comprometer a Troy-Bilt LLC durante el período de la Garantía, el remedio exclusivo es el arreglo o la sustitución del producto según lo establecido anteriormente.** (Algunos estados no permiten limitaciones en cuanto al período de duración de una garantía implícita, de manera que puede que la limitación anterior no sea aplicable en su caso.)

**Las estipulaciones establecidas en esta Garantía ofrecen la solución única y exclusiva que resulte de las ventas. Troy-Bilt no deberá ser responsable de pérdidas o daños incidentales o consecuentes que incluyan, sin limitación, gastos incurridos debido a la sustitución de servicios de mantenimiento de prados, transporte o gastos relacionados, o gastos de alquiler para reemplazar temporalmente un producto bajo garantía.** (Algunos estados no permiten limitaciones en cuanto al período de duración de una garantía implícita, de manera que puede que la limitación anterior no sea aplicable en su caso.)

Ningún tipo de recuperación deberá ser superior al precio de compra del producto vendido, en ningún caso. La alteración de las características de seguridad del producto deberá anular esta Garantía. Usted adopta el riesgo y la obligación de la pérdida, daño o lesión en su persona o a su propiedad y/o la de otras personas y sus propiedades, que se origine a raíz del uso o mal uso, o la incompetencia para usar el producto.

Esta garantía limitada no deberá cubrir a ninguna otra persona distinta al comprador original, arrendatario original, o la persona para la cual se compró en calidad de regalo.

Relación de las leyes estatales con esta Garantía: Esta garantía le confiere derechos legales específicos, y puede que usted también tenga otros derechos, los cuales varían en cada estado.

Para localizar al distribuidor de servicio local más cercano, marque el número 1 (866) 840-6483.

**Troy-Bilt LCC**

PO Box 361131

Cleveland, OH 44136-0019



## Free Manuals Download Website

<http://myh66.com>

<http://usermanuals.us>

<http://www.somanuals.com>

<http://www.4manuals.cc>

<http://www.manual-lib.com>

<http://www.404manual.com>

<http://www.luxmanual.com>

<http://aubethermostatmanual.com>

Golf course search by state

<http://golfingnear.com>

Email search by domain

<http://emailbydomain.com>

Auto manuals search

<http://auto.somanuals.com>

TV manuals search

<http://tv.somanuals.com>