



Operator's Manual

Articulating Hedge Trimmer TBAH

SAVE THESE INSTRUCTIONS

For service call **1-800-828-5500** or **1-800-668-1238** in Canada to obtain a list of authorized service dealers near you. For more details about your unit, visit our website at www.troybilt.com.

DO NOT RETURN THE UNIT TO THE RETAILER. PROOF OF PURCHASE WILL BE REQUIRED FOR WARRANTY SERVICE.

THIS PRODUCT IS COVERED BY ONE OR MORE U.S. PATENTS. OTHER PATENTS PENDING.

Service on this unit both within and after the warranty period should be performed only by an authorized and approved service dealer.

Before beginning, locate the unit's model plate. It lists the model and serial numbers of your unit. Refer to the sample plate below and copy the information for future reference.

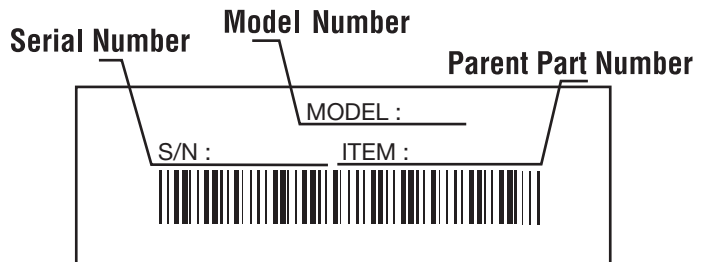


TABLE OF CONTENTS

Service Information	1
Rules for Safe Operation	2
Know Your Unit	4
Assembly Instructions	4
Operating Instructions	5
Maintenance and Repair Instructions	6
Specifications	6
Warranty Information	8
Parts List	E7

Copy the model and parent part number here:

Copy the serial number here:

All information, illustrations, and specifications in this manual are based on the latest product information available at the time of printing. We reserve the right to make changes at any time without notice.

Copyright© 2007 MTD SOUTHWEST INC, All Rights Reserved.


RULES FOR SAFE OPERATION

The purpose of safety symbols is to attract your attention to possible dangers. The safety symbols, and their explanations, deserve your careful attention and understanding. The safety warnings do not by themselves eliminate any danger. The instructions or warnings they give are not substitutes for proper accident prevention measures.


SYMBOL	MEANING
--------	---------


	SAFETY ALERT: Indicates danger, warning or caution. Attention is required in order to avoid serious personal injury. May be used in conjunction with other symbols or pictographs.
--	---

NOTE: Advises you of information or instructions vital to the operation or maintenance of the equipment.

	DANGER: Failure to obey a safety warning will result in serious injury to yourself or to others. Always follow the safety precautions to reduce the risk of fire, electric shock and personal injury.
--	--

SYMBOL	MEANING
--------	---------

	WARNING: Failure to obey a safety warning can result in injury to yourself and others. Always follow the safety precautions to reduce the risk of fire, electric shock and personal injury.
---	--


	CAUTION: Failure to obey a safety warning may result in property damage or personal injury to yourself or to others. Always follow the safety precautions to reduce the risk of fire, electric shock and personal injury.
---	--

Read the Operator's Manual and follow all warnings and safety instructions. Failure to do so can result in serious injury to the operator and/or bystanders.

FOR QUESTIONS, CALL 1-800-828-5500 IN U.S. OR 1-800-668-1238 in CANADA


• IMPORTANT SAFETY INSTRUCTIONS •

READ ALL INSTRUCTIONS BEFORE OPERATING

	WARNING: When using the unit, you must follow the safety rules. Please read these instructions before operating the unit in order to ensure the safety of the operator and any bystanders. Please keep these instructions for later use.
--	---


- Carefully read and understand the operator's manual of the unit that powers this attachment.
- Read this operating instruction manual carefully. Be thoroughly familiar with the controls and the proper use of the equipment. Know how to stop the unit and disengage the controls quickly.
- Do not operate this unit when tired, ill, or under the influence of alcohol, drugs, or medication.
- Never allow children to operate the equipment. Never allow adults unfamiliar with the instructions to use the unit. Never allow adults to operate the equipment without proper instruction.
- All guards and safety attachments must be installed properly before operating the unit.
- Inspect the unit before use. Ensure the blade is installed correctly and secure.
- Clear the area to be hedged before each use. Remove all objects such as rocks, broken glass, nails, wire, or string which can be thrown or become entangled in the hedge trimmer attachment.

SAFETY WARNINGS FOR GAS POWERHEADS AND HEDGE TRIMMERS

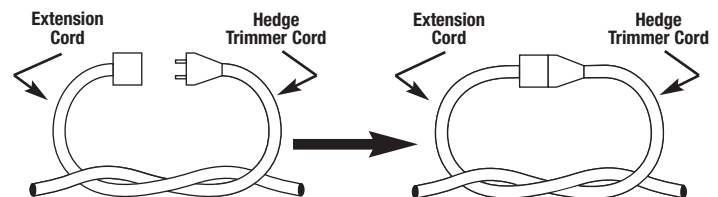
	WARNING: Gasoline is highly flammable, and its vapors can explode if ignited. Take the following precautions:
--	--

- Store fuel only in containers specifically designed and approved for the storage of such materials.
- Always stop the engine and allow it to cool before filling the fuel tank. Never remove the cap of the fuel tank, or add fuel, when the engine is hot. Never operate the unit without the fuel cap securely in place. Loosen the fuel tank cap slowly to relieve any pressure in the tank.
- Mix and add fuel in a clean, well-ventilated area outdoors where there are no sparks or flames. Slowly remove the fuel cap only after stopping engine. Do not smoke while fueling or mixing fuel. Wipe up any spilled fuel from the unit immediately.
- Avoid creating a source of ignition for spilled fuel. Do not start the engine until fuel vapors dissipate.
- Move the unit at least 30 feet (9.1 m) from the fueling source and site before starting the engine. Do not smoke. Keep sparks and open flames away from the area while adding fuel or operating the unit.
- Never start or run the unit inside a closed room or building. Breathing exhaust fumes can kill. Operate this unit only in a well ventilated area outdoors.


SAFETY WARNINGS FOR ELECTRIC POWERHEADS AND HEDGE TRIMMERS

	WARNING: To reduce the risk of electrical shock, use only extension cords approved for outdoor use, such as an extension cord of cord type SW-A, SOW-A, STW-A, STOW-A, SJW-A, SJOW-A, SJTW-W or SJTOW-A. Extension cords are available from your local retailer. Use only round-jacketed extension cords approved for outdoor use.
---	---

- **CORD SETS:** Make sure your cord set is in good condition. When using a cord set, be sure to use a cord that is heavy enough to carry the current that your unit will draw. An undersized cord set will cause a drop in line voltage resulting in loss of power and overheating. See the operator's manual for the unit that will power this add-on for the recommended cord size.
- Inspect all extension cords and the unit power connection periodically. Look closely for deterioration, cuts or cracks in the insulation. Also inspect the connections for damage. Replace the cords if any defects or damage appear.
- Prevent disconnection of the hedge trimmer powerhead from extension cord during operation by using a plug-receptacle retaining strap, connector, or by making a knot as shown below:



- Avoid dangerous environments. Never operate your unit in damp or wet conditions. Moisture is a shock hazard.
- Do not use the unit in the rain. Do not use in or around water. Do not use on wet hedges or shrubbery.
- Do not handle the plug or unit with wet hands or standing on any wet surfaces.
- Do not leave the unit plugged in when not in use, changing attachments or add-ons, or while being serviced.

	DANGER: RISK OF CUT OR SHOCK — Keep hands away from blades. Keep one hand on assist handle on the powerhead and on the loop handle of attachment when power is on. Do not attempt to remove cut material or hold material to be cut when blades are moving. Make sure the switch on the power unit is off when clearing jammed material from blades. Do not grasp the exposed cutting blades or cutting edges of the hedge trimmer. Wear gloves when handling the blade. Do not operate unit with one hand.
---	---

RULES FOR SAFE OPERATION

WHILE OPERATING

- Keep all bystanders, especially children and pets, at least 50 ft (15 m) away.
- Wear safety glasses or goggles that are marked as meeting ANSI Z87.1 standards, and ear/hearing protection when operating this unit. Wear a face or dust mask if the operation is dusty.
- Wear heavy long pants, boots, gloves, and a long sleeve shirt. Do not wear loose clothing, jewelry, short pants, sandals, or go barefoot. Secure hair above shoulder level.
- Use the unit only in daylight or good artificial light.
- Use hedge trimmer properly. Only use this tool for the purpose intended. Use only for trimming the type of shrub, growth, etc., described in the operating instructions.
- Do not force unit. It will do the job better and with less likelihood of injury at a rate for which it was designed.
- Use extreme caution when reversing or pulling the unit towards you.
- Do not overreach, take extra care when working on steep slopes or inclines. Always keep proper footing and balance.
- DO NOT stand on an unstable support. Do not use on a ladder.
- Always hold the unit with both hands when operating. Keep a firm grip on both the front and rear handle or grips.
- Keep hands, face, and feet at a distance from all moving parts. Do not touch or try to stop the blades when they are moving.
- Do not operate the engine faster than the speed needed to do the job. Do not run the engine at high speed when not in use.



CAUTION: Blades will coast after the powerhead is in the "OFF" position.

- Always stop the engine/motor when operation is delayed or when walking from one location to another.
- Stop the engine/motor for maintenance, repair, to install or remove the blades. The unit must be stopped and the blades no longer moving to avoid injury.
- Always wear heavy gloves when handling, removing, installing or cleaning the blades.
- If you strike or become entangled with a foreign object, stop the engine/motor immediately and check for damage. Have any damage repaired before attempting further operations.

- Stop the unit IMMEDIATELY if you feel excessive vibration. Vibration is a sign of trouble. Inspect thoroughly for loose nuts, bolts or damage before continuing. Repair or replace affected parts as necessary.
- Stop and switch the unit to off for maintenance, repair, or for changing add-ons or other attachments.
- Maintain hedge trimmer with care. Keep blades sharp at all times, and clean for best and safest performance. Follow maintenance instructions. Always use a clean cloth when cleaning. Never use brake fluid, gasoline, petroleum-based products, or any strong solvents to clean your unit.
- Use only genuine MTD replacement parts and accessories for this unit. These are available from your authorized service dealer. Use of any non-MTD parts or accessories could lead to serious injury to the user or damage to the unit, and void your warranty.

OTHER SAFETY WARNINGS

- Allow the unit to cool before storing or transporting. Be sure to secure the unit while transporting.
- Store the unit in a locked up and dry or high and dry place to prevent unauthorized use or damage, out of the reach of children.
- Never douse or squirt the unit with water or any other liquid. Keep handles dry, clean and free from debris. Clean after each use.
- Keep these instructions. Refer to them often and use them to instruct other users. If you loan someone this unit, also loan them these instructions.
- Only qualified personnel should perform any repairs or maintenance procedures that are not described in this manual.
- Check engine mounting bolts and other bolts at frequent intervals for proper tightness to be sure the equipment is in safe working condition.
- Inside a building store the machine away from ignition sources. Allow the engine to cool before storing in any enclosure.
- Always refer to the Operator's Manual instructions for important details if the unit is to be stored for an extended period.
- Do not attempt to repair the machine unless you have the proper tools, and instructions for disassembly and repair of the machine.

SAVE THESE INSTRUCTIONS

• SAFETY AND INTERNATIONAL SYMBOLS •

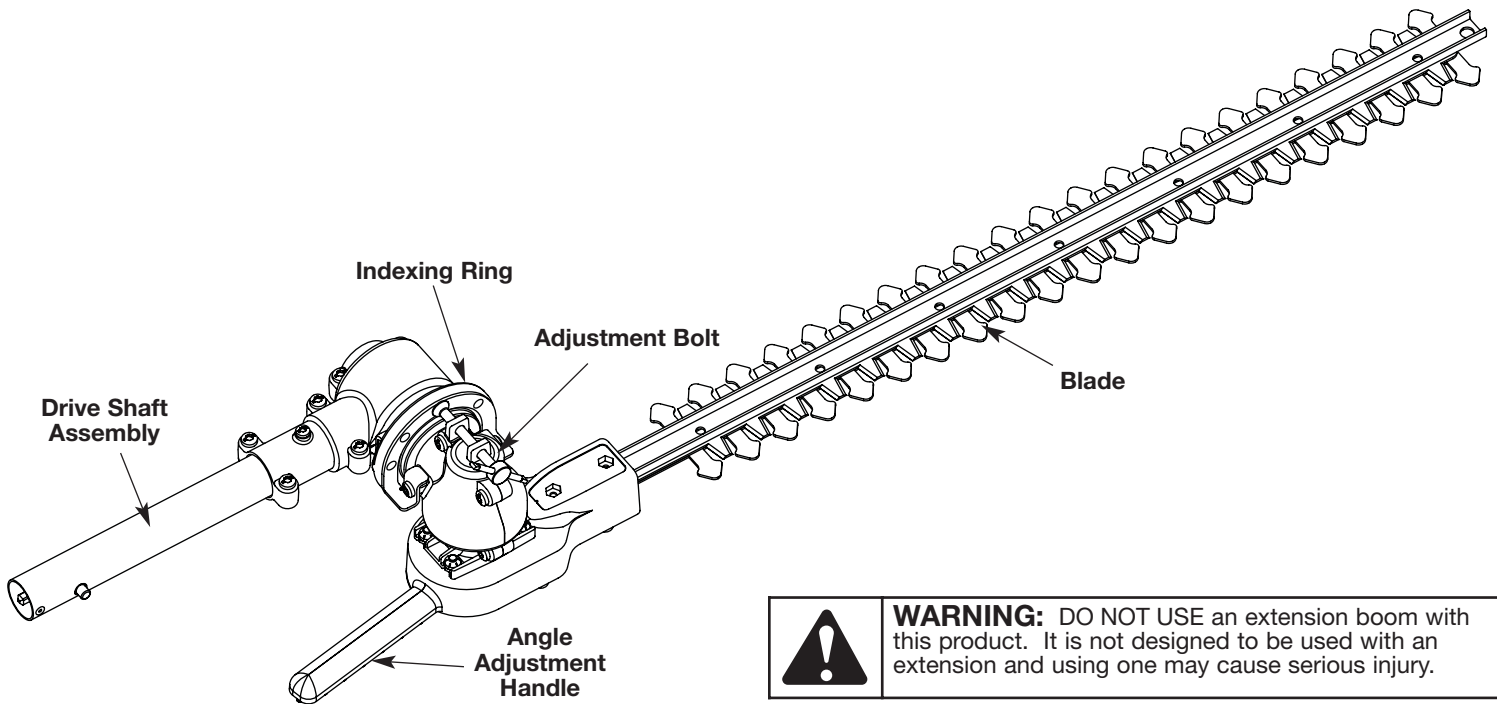
This operator's manual describes safety and international symbols and pictographs that may appear on this product. Read the operator's manual for complete safety, assembly, operating and maintenance and repair information.

SYMBOL MEANING

	<ul style="list-style-type: none"> • SAFETY ALERT SYMBOL Indicates danger, warning or caution. May be used in conjunction with other symbols or pictographs.
	<ul style="list-style-type: none"> • WARNING - READ OPERATOR'S MANUAL Read the operator's manual(s) and follow all warnings and safety instructions. Failure to do so can result in serious injury to the operator and/or bystanders.
	<ul style="list-style-type: none"> • HOT SURFACE WARNING Do not touch a hot muffler, gear housing or cylinder. You may get burned. These parts get extremely hot from operation. They remain hot for a short time after the unit is turned off.
Min. 50ft (15m) 	<ul style="list-style-type: none"> • KEEP BYSTANDERS AWAY WARNING: Keep all bystanders, especially children and pets, at least 50 feet (15 m) from the operating area.

SYMBOL MEANING

	<ul style="list-style-type: none"> • WEAR EYE AND HEARING PROTECTION WARNING: Thrown objects and loud noise can cause severe eye injury and hearing loss. Wear eye protection meeting ANSI Z87.1 standards and ear protection when operating this unit. Use a full face shield when needed.
	<ul style="list-style-type: none"> • KEEP HANDS AWAY FROM BLADES MOVING BLADES CAN CAUSE SEVERE INJURY. Do not put hands on blades when starting the engine or while operating hedge trimmer attachment.
	<ul style="list-style-type: none"> • USE BOTH HANDS Always use both hands while operating the chain saw. Never use only one hand to operate the saw.



ASSEMBLY INSTRUCTIONS

ASSEMBLING THE COUPLER

WARNING: Read and understand operator's manual for unit to be used with this add-on prior to operation.

WARNING: To avoid serious personal injury and damage to the unit, shut unit off before removing or installing add-ons.

Installing the add-on:

NOTE: To make installing or removing the add-on easier, place the unit on the ground or on a work bench.

1. Remove the hanger from the top of the shaft housing.
2. Turn knob counterclockwise to loosen (Fig. 1).

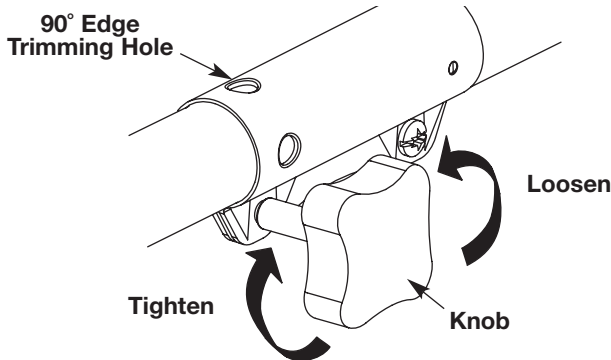


Fig. 1

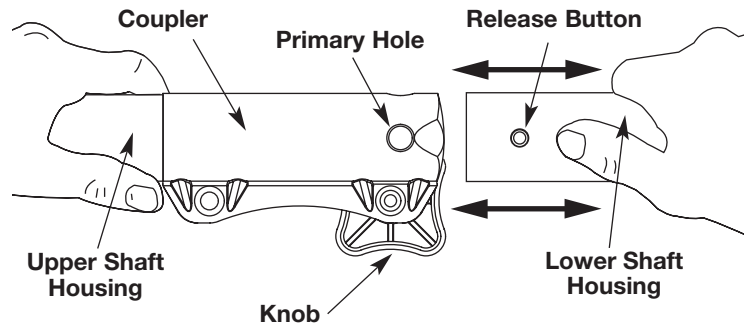


Fig. 2

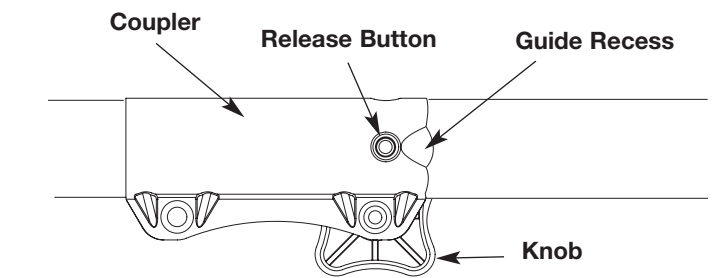


Fig. 3

3. While firmly holding the add-on, push it straight into the coupler (Fig. 2).

NOTE: Aligning the release button with the guide recess will help installation (Fig. 3).

4. Turn the knob clockwise to tighten (Fig. 1).

The hedge trimmer add-on should be installed with the release button in the **primary hole**.

CAUTION: Lock the release button in the primary hole (Fig. 2) and securely tighten the knob before operating this unit.

CAUTION: The add-ons with the coupler system are to be used in the primary hole only. Using the wrong hole could lead to personal injury or damage to the unit.

ASSEMBLY INSTRUCTIONS

Removing the add-on:

1. Turn the knob counterclockwise to loosen (Fig. 1).
2. Press and hold the release button (Fig. 2).
3. While firmly holding the upper shaft housing, pull the hedge trimmer attachment out of the coupler (Fig. 2).

Check Flex Shaft Engagement Prior to Using

1. Start the unit.
2. Briefly engage and release the trigger.
3. Check that add-on is operating.
4. If the add-on is not operating, remove add-on and repeat steps for installing the add-on.
5. Recheck operation of add-on attachment.

OPERATING INSTRUCTIONS

BEFORE OPERATING



WARNING: Dress properly to reduce the risk of injury when operating this unit. Do not wear loose clothing or jewelry. Wear eye and ear/hearing protection. Wear heavy long pants, boots and gloves. Use a full face shield when needed. Secure hair above shoulder level.



WARNING: Make sure the unit is powered off before adjusting the trimming angle.

Adjust the angle of the trimmer to suit the area you are trimming; adjust the blade angle based on the situation. Adjust the blade as follows:

1. Grasp the adjustment bolt (Fig. 4) and turn counterclockwise to unscrew the bolt from the hole in the indexing ring.

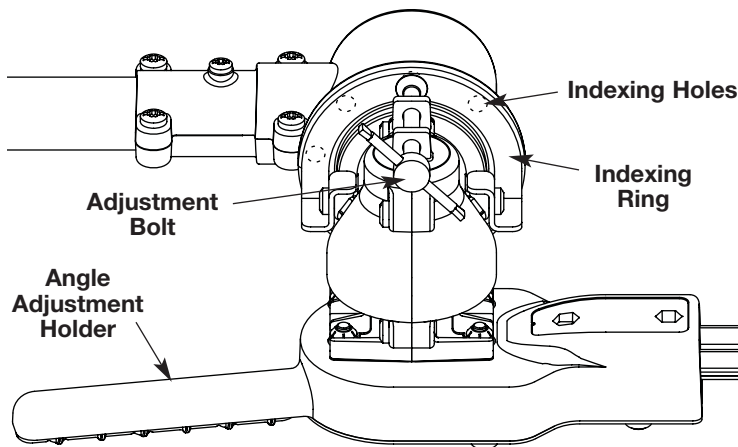


Fig. 4

2. Rotate the blade to the desired position using the angle adjustment holder.
3. Align the adjustment bolt with the appropriate hole in the indexing ring.
4. Screw the bolt into the indexing hole clockwise until hand-tight to secure the blade. **DO NOT OVERTIGHTEN.**



WARNING: Before each use, and periodically during use, check to make sure that the adjustment bolt is properly tightened.



WARNING: If operating the unit on a slope, stand below the cutting attachment. **DO NOT** operate on a slope or hilly incline if there is the slightest chance of slipping or losing your footing.



WARNING: If any parts are missing, damaged, or broken, do not operate your hedge trimmer until they have been replaced. Failure to do so could result in possible serious personal injury.



WARNING: Keep hands and fingers away from moving parts. Any part of body coming in contact with moving parts could result in serious injury.



DANGER: If the blade jams on any electrical cord or line, **DO NOT TOUCH THE BLADE.** It can become **ELECTRICALLY LIVE** and **VERY DANGEROUS.** Release the unit in the safest manner possible, and turn off the power source.

OPERATING TIPS

- To trim new growth, use a wide sweeping motion, feeding the blade teeth through the hedge or twigs. The most effective cutting is achieved with a slight downward tilt of the blade.
- Wear gloves when trimming thorny or prickly growth. When trimming new growth, use a wide sweeping action, so that the stems are fed directly into the cutting blade. Older growth will have thicker stems and will be trimmed easiest by using a sawing movement.
- Do not try to cut stems that are larger than 7/16 inches (11 mm) thick. Use a non-powered hand saw or pruning saw to trim large stems.
- If desired, you can use a string to help cut your hedge level. Decide how high you want the hedge. Then, stretch a piece of string along the hedge at this height. Trim the hedge just above this guide line of string. Trim the side of a hedge so that it will be slightly narrower at the top. More of the hedge will be exposed when shaped this way, and be more uniform.
- To trim the sides of hedges, hold the hedge trimmer at the bottom and sweep upwards.

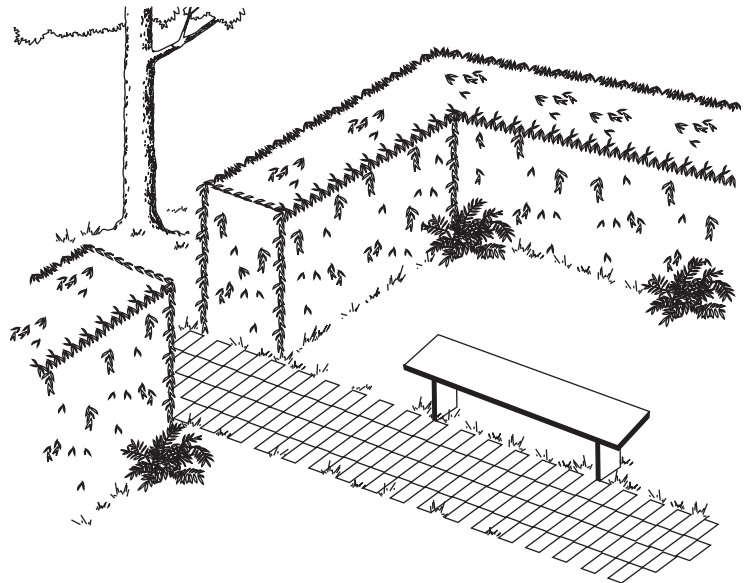


Fig. 5

MAINTENANCE AND REPAIR INSTRUCTIONS

LUBRICATING BLADE



WARNING: Before maintenance, be sure your hedge trimmer is disconnected from the power supply. Failure to do so can result in accidental starting, causing serious personal injury.

1. For easier operation and longer blade life, lubricate the hedge trimmer attachment blade before and after each use. Before lubricating, be sure the powerhead is turned OFF. Apply light machine oil along the edge of the top blade strap (Fig. 6).

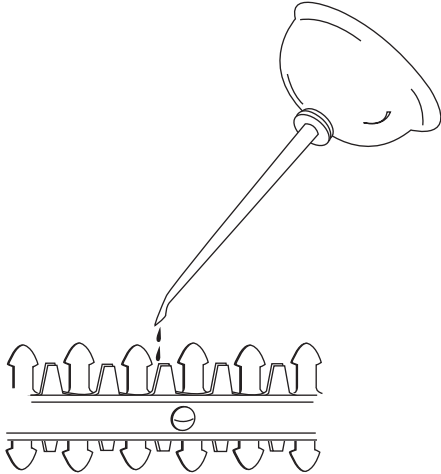


Fig. 6

2. Occasionally, you should oil your hedge trimmer attachment during use. Before oiling, stop hedge trimmer, then oil. You then can resume trimming. Do not oil while hedge trimmer attachment is running.

OTHER MAINTENANCE

1. The cutting blades are made from high quality, hardened steel and with normal usage, they will not require sharpening. However, if you accidentally hit a wire fence, stones, glass or other hard objects, you may put a nick in the blade. There is no need to remove this nick as long as it does not interfere with the movement of the blade. If it does interfere, turn the powerhead off and use a fine toothed file or sharpening stone to remove the nick.
2. If you drop the trimmer, carefully inspect it for damage. If the blade is bent, housing cracked, or handles broken or if you see any other condition that may affect the trimmer's operation contact a professional service center for repairs before putting it back into use.
3. Fertilizers and other garden chemicals contain agents which greatly accelerate the corrosion of metals. Do not store the tool on or adjacent to fertilizers or chemicals.
4. With the unit powered off (and the spark plug disconnected), use only mild soap and a damp cloth to clean the tool. Never let any liquid get inside the tool; never immerse any part of the tool into a liquid.

NOTE: To assure product SAFETY and RELIABILITY, repairs, maintenance and adjustments should be performed by an professional service center using identical replacement parts.

SPECIFICATIONS

Approximate Operating Weight of Attachment	5.11 lbs. (2.3 kg)
Blade Length22" (558.8 mm)

MANUFACTURER'S LIMITED WARRANTY FOR:



The limited warranty set forth below is given by Troy-Bilt LLC ("Troy-Bilt") with respect to new merchandise purchased and used in the United States, its possessions and territories.

Troy-Bilt warrants this product against defects in material and workmanship for a period of two (2) years commencing on the date of original purchase and will, at its option, repair or replace, free of charge, any part found to be defective in material or workmanship. This limited warranty shall only apply if this product has been operated and maintained in accordance with the Operator's Manual furnished with the product, and has not been subject to misuse, abuse, commercial use, neglect, accident, improper maintenance, alteration, vandalism, theft, fire, water or damage because of other peril or natural disaster. Damage resulting from the installation or use of any accessory or attachment not approved by Troy-Bilt for use with the product(s) covered by this manual will void your warranty as to any resulting damage. This warranty is limited to ninety (90) days from the date of original retail purchase for any Troy-Bilt product that is used for rental or commercial purposes, or any other income-producing purpose.

HOW TO OBTAIN SERVICE: Warranty service is available, WITH PROOF OF PURCHASE THROUGH YOUR LOCAL AUTHORIZED SERVICE DEALER. To locate the dealer in your area, visit our website at www.troybilt.com, check for a listing in the Yellow Pages, call **1-800-828-5500** or **1-800-668-1238** in Canada, or write to P.O. Box 361131, Cleveland, OH 44136-0019.

This limited warranty does not provide coverage in the following cases:

- A. Tune-ups - Spark Plugs, Carburetor Adjustments, Filters
- B. Wear items - Bump Knobs, Outer Spools, Cutting Line, Inner Reels, Starter Pulley, Starter Ropes, Drive Belts
- C. Troy-Bilt does not extend any warranty for products sold or exported outside of the United States of America, its possessions and territories, except those sold through Troy-Bilt's authorized channels of export distribution.

Troy-Bilt reserves the right to change or improve the design of any Troy-Bilt Product without assuming any obligation to modify any product previously manufactured.

No implied warranty, including any implied warranty of merchantability or fitness for a particular purpose, applies after the applicable period of express written warranty above as to the parts as identified. No other express warranty or guaranty, whether written or oral, except as mentioned above, given by any person or entity, including a dealer or retailer, with respect to any product shall bind Troy-Bilt. During the period of the Warranty, the exclusive remedy is repair or replacement of the product as set forth above. (Some states do not allow limitations on how long an implied warranty lasts, so the above limitation may not apply to you.)

The provisions as set forth in this Warranty provide the sole and exclusive remedy arising from the sales. Troy-Bilt shall not be liable for incidental or consequential loss or damages including, without limitation, expenses incurred for substitute or replacement lawn care services, for transportation or for related expenses, or for rental expenses to temporarily replace a warranted product. (Some states do not allow limitations on how long an implied warranty lasts, so the above limitation may not apply to you.)

In no event shall recovery of any kind be greater than the amount of the purchase price of the product sold. Alteration of the safety features of the product shall void this Warranty. You assume the risk and liability for loss, damage, or injury to you and your property and/or to others and their property arising out of the use or misuse or inability to use the product.

This limited warranty shall not extend to anyone other than the original purchaser, original lessee or the person for whom it was purchased as a gift.

How State Law Relates to this Warranty: This warranty gives you specific legal rights, and you may also have other rights which vary from state to state.

To locate your nearest service dealer dial **1-800-828-5500** or **1-800-668-1238** in Canada.

Troy-Bilt LLC

P.O. Box 361131

Cleveland, OH 44136-0019



Manuel de L'utilisateur

Taille-haies TBAH

CONSERVEZ CES INSTRUCTIONS

Obtenez la liste des concessionnaires agréés appelez le **1-800-828-5500** aux États-Unis ou le **1-800-668-1238** au Canada. Pour de plus amples informations à propos de votre appareil, visitez www.troybilt.com.

NE RETOURNEZ PAS L'APPAREIL AU DÉTAILLANT CHEZ QUI VOUS L'AVEZ ACHETÉ. TOUT SERVICE SOUS GARANTIE NÉCESSITE UNE PREUVE D'ACHAT.

CE PRODUIT EST COUVERT PAR UN OU PLUSIEURS BREVETS AMÉRICAINS, ET D'AUTRES SONT EN INSTANCE.

Tout entretien effectué sur cet appareil pendant et après la période de garantie doit être fait par un concess- ionnaire agréé uniquement. Avant d'assembler votre nouvel équipement, repérez la plaque signalétique de l'appareil et copiez ses informations dans l'espace ci-dessous. Ces informations sont essentielles si vous désirez obtenir de l'aide auprès de notre service technique ou d'un distributeur agréé. Un exemple de plaque signalétique est présenté ci-dessous.

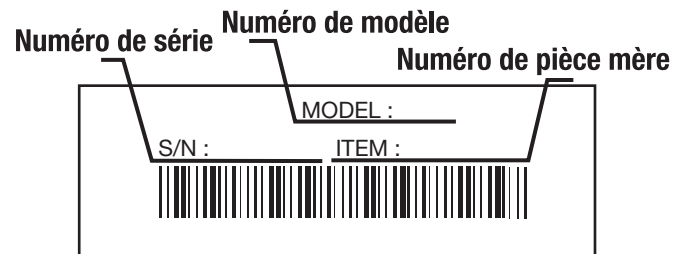


TABLE DES MATIÈRES

Service technique	F1
Consignes de sécurité	F2
Familiarisez-vous avec votre appareil	F4
Instructions de montage	F4
Mode d'emploi	F5
Entretien et réparations	F6
Caractéristiques	F6
Garantie	F8
Liste de pièces	E7

Copiez le numéro de modèle / pièce mère ici :

Copiez le numéro de série ici :

Toutes les informations, illustrations et spécifications contenues dans ce manuel tiennent compte des dernières informations techniques disponibles au moment de mettre sous presse. Nous nous réservons le droit d'y apporter des modifications à tout moment, sans préavis. Copyright© 2007 MTD SOUTHWEST INC., Tous droits réservés.


CONSIGNES DE SÉCURITÉ

Les symboles de sécurité attirent votre attention sur des dangers potentiels. Ces symboles et leurs détails explicatifs méritent que vous les lisiez et compreniez bien. Les avertissements de sécurité ne peuvent éviter les dangers de par eux-mêmes. Les consignes ou mises en garde qu'ils donnent ne remplacent pas des mesures préventives appropriées contre les accidents.

SYMBOLE SIGNIFICATION

	ALERTE DE SÉCURITÉ : indique un danger, un avertissement ou une mise en garde. Soyez vigilant afin d'éviter toute blessure grave. Ce symbole peut être combiné à d'autres symboles ou pictogrammes.
--	--

REMARQUE : donne des informations ou des instructions vitales pour le fonctionnement ou l'entretien de l'équipement.

	DANGER : le non-respect d'un avertissement peut causer dommages matériels ou blessures graves pour tous. Respectez les consignes de sécurité afin de réduire les risques d'incendie, d'électrocution et de blessures.
--	--

SYMBOLE SIGNIFICATION

	AVERTISSEMENT : le non-respect d'un avertissement peut causer dommages matériels ou blessures graves pour tous. Respectez les consignes de sécurité afin de réduire les risques d'incendie, d'électrocution et de blessures.
---	---

	MISE EN GARDE : le non-respect d'un avertissement peut causer dommages matériels ou blessures graves pour tous. Respectez toujours les consignes de sécurité afin de réduire les risques d'incendie, d'électrocution et de blessures.
---	--

Lisez le(s) manuel(s) de l'utilisateur et suivez tous les avertissements et consignes de sécurité. Vous pourriez à défaut entraîner des blessures graves pour vous ou d'autres personnes.
SI VOUS AVEZ DES QUESTIONS, APPELEZ LE 1-800-828-5500 AUX ÉTATS-UNIS, OU LE 1-800-668-1238 AU CANADA

• IMPORTANTES CONSIGNES DE SÉCURITÉ •

LISEZ TOUTES LES INSTRUCTIONS AVANT L'UTILISATION

	AVERTISSEMENT : Lorsque vous utilisez la machine, vous devez suivre les consignes de sécurité. Veuillez lire ces instructions avant d'opérer la machine pour vous assurer de la sécurité de l'opérateur et de tout spectateur. Veuillez conserver ces instructions pour un usage ultérieur.
--	--

- Prenez soin de bien lire et comprendre le manuel de l'appareil qui alimente cet accessoire.
- Veuillez lire le manuel de l'utilisateur attentivement. Familiarisez-vous avec les commandes et l'utilisation correcte de l'appareil. Sachez comment arrêter l'appareil et désactiver les commandes rapidement.
- N'utilisez pas l'appareil si vous êtes fatigué, malade ou sous l'effet de l'alcool, de drogues ou de médicaments.
- Ne laissez pas les enfants faire fonctionner l'appareil. Ne laissez jamais des adultes qui ne se sont pas familiarisés avec les instructions utiliser l'appareil. Ne laissez jamais des adultes n'ayant jamais reçu les instructions nécessaires faire fonctionner l'appareil.
- Tous les accessoires de sécurité et protections doivent être correctement installés avant d'utiliser cet appareil.
- Inspectez l'appareil avant utilisation. Assurez-vous que la lame est bien mise.
- Dégagez la zone à tailler avant chaque usage. Enlevez tous les objets pouvant être projetés ou happés par le taille-haies : cailloux, verre brisé, clous, fil ou ficelle.

AVERTISSEMENTS DE SÉCURITÉ SPÉCIAUX POUR LES TÊTES D'ENTRAÎNEMENT À ESSENCE ET LES TAILLE-HAIES

	AVERTISSEMENT : l'essence est extrêmement inflammable et ses vapeurs peuvent exploser si on y met le feu. Veuillez prendre les précautions suivantes:
--	--

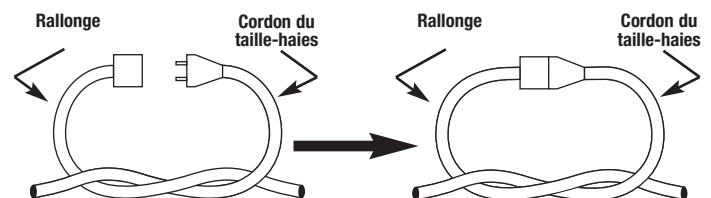
- Ne stockez le carburant que dans des contenants spécialement conçus et homologués pour le stockage de ce type de matières.
- Arrêtez toujours le moteur et laissez-le refroidir avant de remplir le réservoir de carburant. N'enlevez jamais le bouchon du réservoir et n'ajoutez jamais de carburant pendant que le moteur est chaud. Ne faites jamais fonctionner l'appareil sans que le bouchon de carburant soit bien mis. Desserrez lentement le bouchon afin de réduire la pression du réservoir.
- Mélangez et ajoutez le carburant dans un endroit bien aéré et propre en plein air à l'abri des étincelles ou des flammes. N'enlevez lentement le bouchon du réservoir d'essence qu'après avoir arrêté le moteur. Ne fumez pas pendant le remplissage ou le mélange de carburant. Essuyez immédiatement tout déversement de carburant de l'appareil.
- Évitez de créer une source d'allumage pour le carburant déversé. Ne démarrez pas le moteur avant que les vapeurs de carburant ne se soient dissipées.
- Éloignez l'appareil d'au moins 9,1 m (30 pi) de la source de ravitaillement en carburant avant de démarrer le moteur. Ne fumez pas et éloignez toute source d'étincelles ou de flammes vives du lieu de ravitaillement ou de fonctionnement de l'appareil.
- Évitez de démarrer ou de faire marcher l'appareil à l'intérieur d'une pièce ou d'un bâtiment fermé. La respiration de fumées

d'échappement peut tuer. Ne faites fonctionner cet appareil qu'à l'extérieur, dans un endroit bien aéré.

AVERTISSEMENTS DE SÉCURITÉ SPÉCIAUX POUR LES TÊTES D'ENTRAÎNEMENT ÉLECTRIQUES ET LES TAILLE-HAIES

	AVERTISSEMENT : afin de diminuer les risques d'électrocution, utilisez uniquement des rallonges homologuées pour l'usage à l'extérieur : type SW-A, SOW-A, STW-A, STOW-A, SJW-A, SJOW-A, SJTW-W ou SJTOW-A. Vous pourrez vous en procurer chez votre détaillant. Utilisez uniquement des rallonges à prise ronde, homologuées pour l'usage à l'extérieur.
---	--

- **CORDONS :** assurez-vous que votre cordon est en bon état et assez solide pour transporter le courant nécessaire à l'appareil. Il peut sinon provoquer une chute de tension entraînant une panne de courant et une surchauffe. Reportez-vous au calibre de cordon recommandé dans le manuel de l'utilisateur de l'appareil motorisé.
- Inspectez régulièrement toutes les rallonges ainsi que la connexion d'alimentation de l'appareil. Soyez à l'affût de signes de détérioration, de coupures ou de fissures dans l'isolation. Vérifiez aussi que les connexions ne sont pas endommagées. Remplacez les cordons défectueux ou endommagés.
- Évitez que la tête d'entraînement du taille-haies ne se déconnecte de la rallonge en utilisant une sangle de fixation ou un connecteur de retenue de la fiche et de la prise, ou en faisant un nœud comme indiqué ci-dessous :



	DANGER : RISQUE DE COUPURE OU DE CHOC - Éloignez les mains des lames. Gardez une main sur la poignée de maintien de la tête d'entraînement et sur la poignée en boucle de l'accessoire lorsque l'appareil est allumé. N'essayez pas de retirer les matériaux coupés ou de tenir les matériaux à couper lorsque les lames tournent. Assurez-vous que l'interrupteur de l'appareil est éteint avant de dégager des matériaux coincés dans les lames. Ne saisissez pas les lames de coupe ou les bords tranchants du taille-haies. Portez des gants lorsque vous manipulez la lame. Ne pas utiliser l'appareil d'une seule main.
---	---

- Évitez les lieux dangereux. N'utilisez jamais l'appareil dans des conditions humides ou mouillées. L'humidité peut provoquer l'électrocution.
- N'utilisez pas l'appareil sous la pluie. Ne l'utilisez pas à proximité de l'eau.
- Ne manipulez pas la prise ou l'appareil les mains mouillées ou debout sur une surface mouillée.
- Ne laissez pas l'appareil branché quand il ne sert pas, lors d'un

CONSIGNES DE SÉCURITÉ

entretien ou d'un changement d'accessoires.

PENDANT L'UTILISATION

- Tenez les visiteurs, surtout les enfants et les animaux familiers à une distance d'au moins 15 m (50 pi).
- Portez des lunettes de sécurité conformes aux normes ANSI Z87.1 ainsi que des protège-oreilles durant l'utilisation de l'appareil. Portez un masque facial ou antipoussières si vous travaillez dans un lieu poussiéreux.
- Portez des pantalons épais et longs, des bottes et des gants. Ne marchez pas pieds nus et ne portez pas les articles suivants : vêtements lâches, bijoux, pantalons courts, sandales. Relevez les cheveux au-dessus du niveau des épaules.
- N'utilisez l'appareil qu'en plein jour ou avec un bon éclairage artificiel.
- Utilisez le taille-haies correctement. N'employez cet outil que pour son usage prévu. Utilisez-le uniquement pour tailler le type d'arbuste, de végétation, etc. décrit dans le mode d'emploi.
- Ne forcez pas ni ne surchargez l'appareil. Il accomplira un travail de meilleure qualité, en présentant moins de dangers, si vous respectez la cadence nominale pour laquelle il a été conçu.
- Soyez très prudent lorsque vous faites marche arrière ou que vous tirez l'appareil vers vous.
- Ne vous étirez pas et faites très attention lorsque vous travaillez sur des pentes ou inclinaisons abruptes. Tenez-vous toujours bien campé, en position d'équilibre.
- NE vous tenez PAS debout sur un support instable. N'utilisez pas d'échelle.
- Tenez toujours l'appareil des deux mains lorsque vous le faites marcher. Agrippez fermement les poignées avant et arrière.
- Gardez les mains, le visage et les pieds éloignés des pièces mobiles. Ne touchez pas les lames et n'essayez pas de les arrêter lorsqu'elles tournent.
- Ne faites pas tourner le moteur à un régime excessif pour l'élagage. Ne faites pas tourner l'appareil à haut régime si vous ne faites pas d'élagage.



MISE EN GARDE : les lames continuent de tourner à vide une fois la tête d'entraînement éteinte.

- Arrêtez toujours l'appareil si vous suspendez la coupe ou si vous vous déplacez d'un lieu de travail vers un autre.
- Arrêtez le moteur en cas d'entretien, de réparation, d'installation ou de retrait des lames. L'appareil et les lames doivent être arrêtés pour éviter toute blessure.
- Portez toujours des gants lorsque vous manipulez, retirez, installez ou nettoyez les lames.
- Si vous heurtez ou happez un corps étranger, arrêtez le moteur

immédiatement et vérifiez que rien n'a été endommagé. Réparez tout dommage éventuel avant de poursuivre le travail.

- Arrêtez le moteur IMMÉDIATEMENT si vous ressentez une vibration excessive car cela indique un problème. Vérifiez soigneusement qu'il n'y a ni écrous ni boulons desserrés, ni aucun dommage avant de continuer. Réparez ou remplacez au besoin les pièces affectées.
- Arrêtez et éteignez l'appareil dans ces cas-ci : entretien, réparation, changement d'accessoires ou autres.
- Entretenez le taille-haies avec soin. Gardez les lames affûtées et propres en tout temps pour assurer un rendement excellent, en toute sécurité. Respectez les consignes d'entretien. Utilisez toujours un tissu propre pour le nettoyage en évitant les liquides pour freins, l'essence, les produits à base de pétrole et les solvants concentrés.
- Utilisez uniquement des pièces de rechange et accessoires MTD d'origine pour cet appareil. Vous les trouverez auprès de votre distributeur agréé. L'utilisation de pièces ou d'accessoires autres que ceux de MTD peut causer des blessures graves ou endommager l'appareil et annuler sa garantie.

AUTRES AVERTISSEMENTS DE SÉCURITÉ

- Laissez l'appareil refroidir avant de l'entreposer ou de le transporter. Attachez bien l'appareil pendant le transport.
- Rangez l'appareil dans un lieu sec, verrouillé ou élevé pour éviter les accidents ou une utilisation non autorisée. Gardez hors de portée des enfants.
- Ne trempez et n'arrosez jamais l'appareil avec de l'eau ou un liquide quelconque. Gardez les poignées sèches, propres et exemptes de débris. Nettoyez après chaque utilisation.
- Conservez ces instructions. Consultez-les souvent et servez-vous en pour instruire d'autres usagers. Si vous prêtez l'appareil à quelqu'un, prêtez-lui également ces instructions.
- Les réparations ou les procédures d'entretien qui ne sont pas décrites dans le manuel doivent être strictement confiées à des techniciens qualifiés.
- Vérifiez à intervalles fréquents que les boulons des forces à tondre et les boulons de montage du moteur et autres sont bien serrés afin de vous assurer que l'équipement fonctionne correctement.
- À l'intérieur d'un bâtiment, rangez l'appareil à l'écart des sources d'allumage. Laissez le moteur refroidir avant de l'entreposer dans une enceinte.
- Reportez-vous toujours aux importantes instructions du manuel de l'utilisateur si vous prévoyez d'entreposer l'appareil pendant une durée prolongée.
- N'essayez pas de réparer l'appareil à moins de disposer des outils appropriés et des instructions de démontage et de réparation de la machine.

CONSERVEZ CES INSTRUCTIONS

• SYMBOLES DE SÉCURITÉ ET INTERNATIONAUX •

Ce manuel de l'utilisateur décrit les symboles et pictogrammes de sécurité et internationaux pouvant apparaître sur ce produit. Consultez le manuel de l'utilisateur pour les informations concernant la sécurité, le montage, le fonctionnement, l'entretien et les réparations.

SYMBOLE SIGNIFICATION

	<p>• SYMBOLE D'ALERTE DE SÉCURITÉ</p> <p>Indique un danger, un avertissement ou une mise en garde. Ce symbole peut être combiné à d'autres symboles ou pictogrammes.</p>
--	---

	<p>• AVERTISSEMENT - LISEZ LE MANUEL DE L'UTILISATEUR</p> <p>Lisez le manuel de l'utilisateur et suivez tous les avertissements et consignes de sécurité. Vous pourriez à défaut entraîner des blessures graves pour vous ou d'autres personnes.</p>
--	---

	<p>• ACCESSOIRE CHAUD!</p> <p>La surface de l'accessoire est chaude. Pour éviter des blessures graves, ne tenez pas l'accessoire pendant son utilisation. Tenez-le uniquement par les poignées prévues à cet effet.</p>
--	--

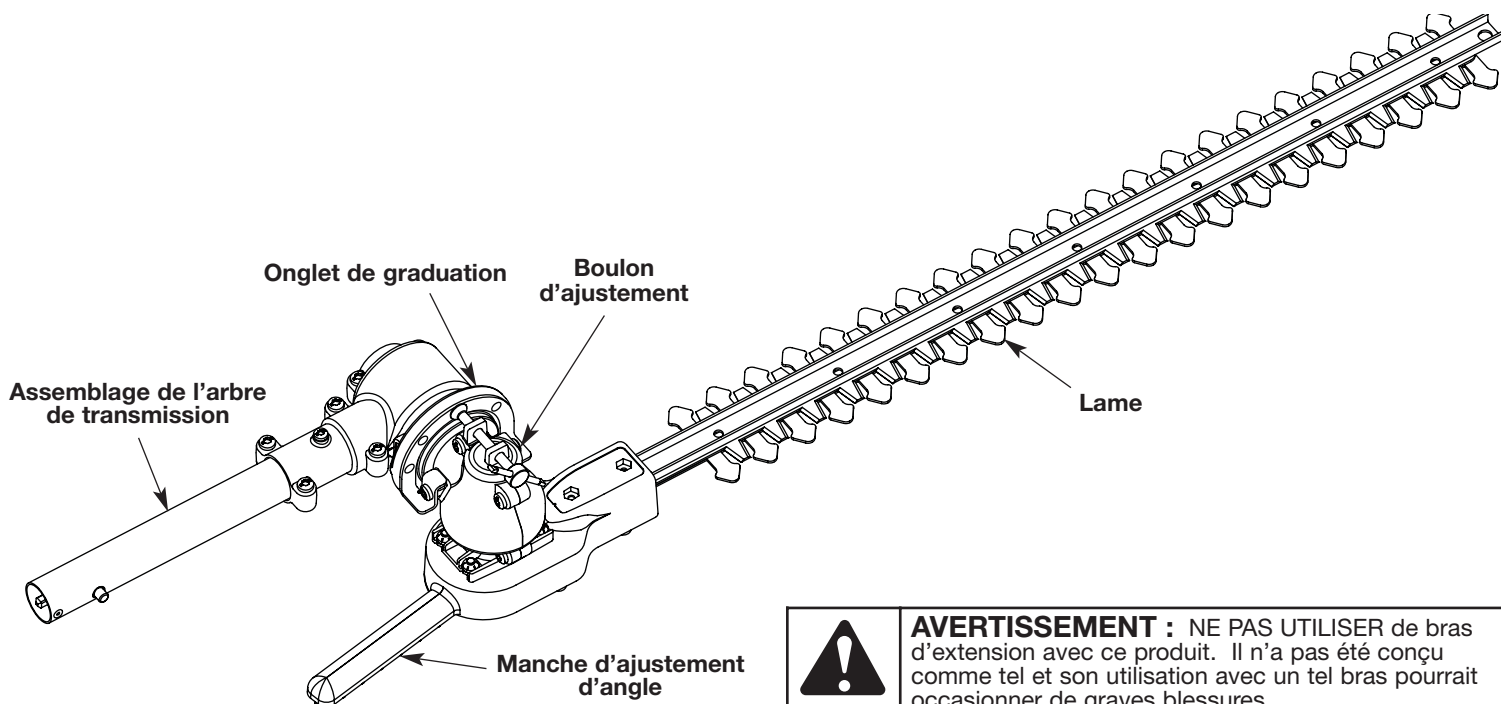
<p>Min. 50ft (15m)</p>	<p>• ÉLOIGNEZ LES SPECTATEURS</p> <p>AVERTISSEMENT : éloignez les spectateurs, les enfants et les animaux domestiques en particulier, d'au moins 15 m (50 pi) de la zone de coupe.</p>
------------------------	--

SYMBOLE SIGNIFICATION

	<p>• PORTEZ DES PROTECTIONS (YEUX ET OREILLES)</p> <p>AVERTISSEMENT : les objets projetés et les bruits forts peuvent endommager la vue et l'ouïe. Portez une visière de norme ANSI Z87.1-1989 et des protège-oreilles pendant l'utilisation. La chute d'objets peut causer des blessures graves à la tête. Protégez-vous la tête pendant l'utilisation de l'appareil.</p>
--	--

	<p>• ÉLOIGNEZ LES MAINS DES LAMES</p> <p>LES LAMES MOBILES PEUVENT PROVOQUER DES BLESSURES GRAVES</p> <p>Ne posez pas les mains sur les lames lorsque vous démarrez le moteur ou pendant l'utilisation du taille-haies.</p>
--	---

	<p>• TENEZ À DEUX MAINS</p> <p>Tenez toujours la tronçonneuse à deux mains lors de son utilisation. Ne la tenez jamais à une main.</p>
--	---



AVERTISSEMENT : NE PAS UTILISER de bras d'extension avec ce produit. Il n'a pas été conçu comme tel et son utilisation avec un tel bras pourrait occasionner de graves blessures.

INSTRUCTIONS DE MONTAGE

MONTAGE DU COUPLEUR

AVERTISSEMENT : veuillez bien assimiler le manuel des accessoires avant utilisation.

AVERTISSEMENT : pour éviter des blessures graves, éteignez l'appareil avant d'enlever ou d'installer des accessoires.

Installation de l'accessoire :

REMARQUE : pour faciliter l'installation ou le retrait d'accessoires, placez l'appareil au sol ou sur un établi.

1. Enlevez le crochet de la partie supérieure du corps de l'arbre.
2. Dévissez le bouton vers la gauche (fig. 1).

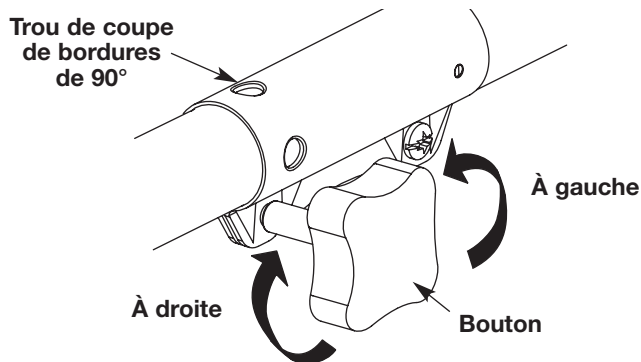


Fig. 1

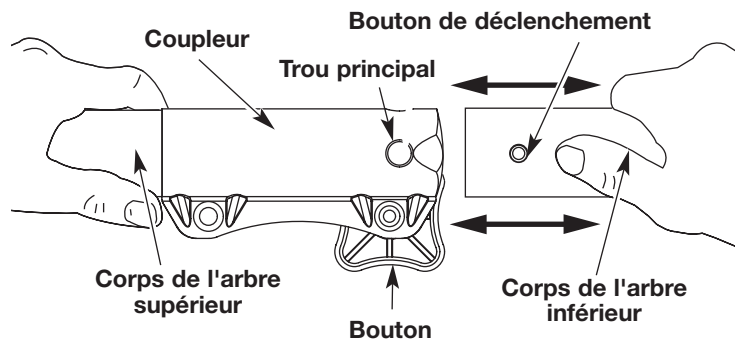


Fig. 2

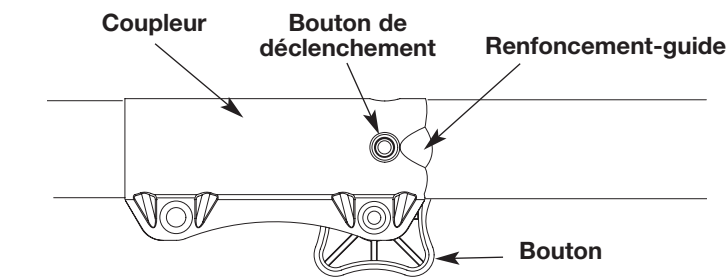


Fig. 3

3. Tenez fermement l'accessoire et enfoncez-le tout droit dans le coupleur (fig. 2).

REMARQUE : alignez le bouton de déclenchement avec le renforcement-guide pour faciliter l'installation (fig. 3).

MISE EN GARDE : verrouillez le bouton de déclenchement dans le trou principal (fig. 2) et vissez bien le bouton avant de faire marcher l'appareil.

4. Serrez le bouton en le tournant à droite (fig. 3).

Le taille-haies doit être installé avec le bouton de déclenchement dans le trou principal.

MISE EN GARDE : les accessoires avec coupleur doivent utiliser le trou principal uniquement. L'utilisation du mauvais trou pourrait causer des blessures ou endommager l'appareil.

INSTRUCTIONS DE MONTAGE

Retrait de l'accessoire :

1. Dévissez le bouton vers la gauche (fig. 1).
2. Appuyez sur le bouton de déclenchement et maintenez-le enfoncé (fig. 3).
3. Tenez fermement le corps de l'arbre supérieur et retirez l'accessoire d'élagage du coupleur (fig. 2).

Vérifiez que le bras flexible est bien engagé avant l'utilisation

1. Démarrez l'appareil.
2. Appuyez brièvement sur la détente, puis relâchez-la.
3. Vérifiez le fonctionnement de l'accessoire.
4. S'il ne fonctionne pas, retirez-le et répétez la procédure d'installation.
5. Vérifiez de nouveau le fonctionnement de l'accessoire.

MODE D'EMPLOI

PRÉPARATION AVANT L'UTILISATION



AVERTISSEMENT : Portez des vêtements appropriés pour diminuer les risques de blessures durant l'utilisation de l'appareil. Ne portez pas de vêtements amples ni de bijoux. Portez des lunettes de sécurité et des protège-oreilles. Portez des pantalons épais et longs, des bottes et des gants. Ne marchez pas pieds nus et évitez les pantalons courts et les sandales.



AVERTISSEMENT : Veillez à ce que la tronçonneuse soit bien éteinte avant de régler l'angle de coupe.

Ajustez l'angle du taille-haie pour correspondre à la surface que vous taillez ; réglez l'angle de la lame selon la situation. Ajustez la lame de la façon suivante :

1. Tournez la vis de réglage (Fig. 4) dans le sens contraire des aiguilles d'une montre pour dévisser le boulon du trou dans l'anneau repère.

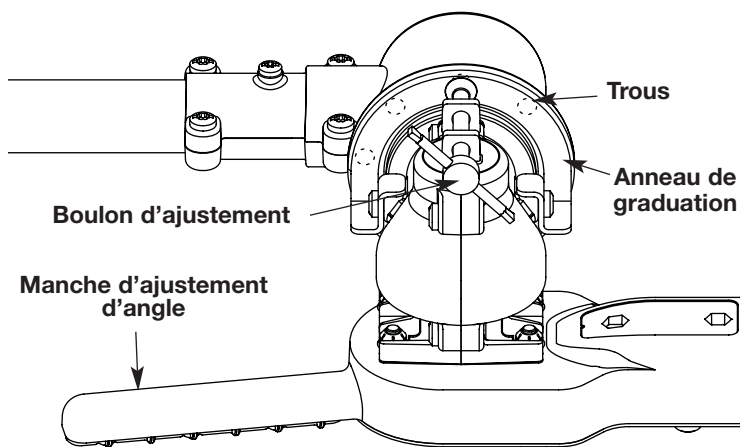


Fig. 4

2. Tournez la lame jusqu'à la position désirée en vous servant de la poignée de réglage de l'angle.
3. Alignez le boulon de réglage avec le trou approprié dans l'anneau de repère.
4. Vissez le boulon dans le trou de repère dans le sens des aiguilles d'une montre jusqu'à ce qu'il soit bien serré à la main pour maintenir la lame en place. **NE PAS SERRER TROP FORT.**



AVERTISSEMENT : Vérifiez que le boulon d'ajustement est bien serré avant chaque utilisation, et régulièrement pendant l'utilisation.



AVERTISSEMENT : Si l'équipement est utilisé sur une déclivité, se tenir derrière la tête de coupe. **NE JAMAIS UTILISER** l'outil sur une déclivité s'il existe la moindre chance de glisser, de déraper ou de perdre son équilibre.



AVERTISSEMENT : si des pièces sont manquantes, endommagées ou brisées, n'utilisez pas le taille-haies jusqu'à ce qu'elles aient été remplacées. Il pourrait en résulter des blessures graves sinon.



AVERTISSEMENT : gardez les mains et les doigts éloignés des pièces mobiles. Toute partie du corps en contact avec des pièces mobiles peut entraîner des blessures graves.



DANGER : NE TOUCHEZ pas la lame si elle coince sur un cordon électrique! ELLE POURRAIT ÊTRE sous tension et DEVENIR TRÈS DANGEREUSE. Relâchez l'appareil de la manière la plus sécuritaire possible, puis éteignez-le.

CONSEILS D'UTILISATION

- Un ample mouvement mi-rotatif - les dents de la lame passant à travers les brindilles - est le plus efficace. Une légère inclinaison de la lame vers le bas et dans la direction du mouvement donne la meilleure coupe.
- Portez des gants si la végétation à couper est épineuse ou piquante. Coupez la jeune végétation d'un large mouvement de balayage permettant à la lame de couper les tiges directement. Il vaut mieux utiliser un mouvement de sciage pour couper les épaisses tiges caractérisant une végétation plus vieille.
- N'essayez pas de couper les tiges de plus 11 mm (7/16 po) de diamètre. Utilisez plutôt une scie manuelle ou une scie à élaguer pour couper les grosses tiges.
- Vous pouvez utiliser, si vous le désirez, une ficelle pour déterminer le niveau de coupe de la haie. Décidez de la hauteur de celle-ci, puis étendez une ficelle indiquant la hauteur idéale. Taillez ensuite la haie juste au-dessus de la ficelle. Taillez la bordure de la haie de manière à ce que celle-ci soit légèrement plus étroite au sommet, ce qui permet d'exposer une plus grande partie de la haie et de lui donner une apparence plus uniforme.
- Tailler sur les cotes: Tenir le taille-haie comme indiqué; commencer par le bas et monter.

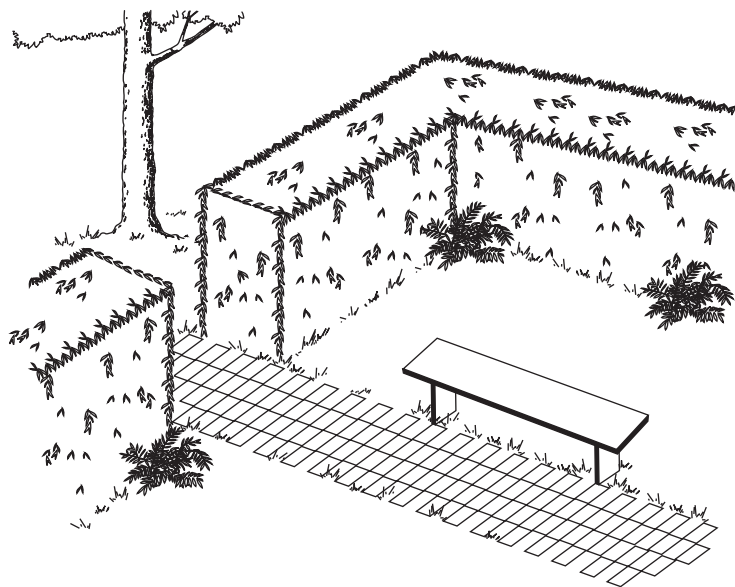


Fig. 5

MODE D'EMPLOI

LUBRIFICATION DE LA LAME



AVERTISSEMENT : Avant de lubrifier la lame, s'assurer que l'appareil est débranché de la source d'alimentation car cela pourrait causer un démarrage accidentel et provoquer de sérieuses blessures.

1. Pour faciliter l'utilisation et prolonger la durée de vie de la lame du taille-haies, lubrifiez-la avant et après chaque utilisation. Avant de lubrifier, assurez-vous que l'interrupteur de la tête d'entraînement est en position OFF. Appliquez une huile de machine légère le long du bord de la bande supérieure (Fig. 6).

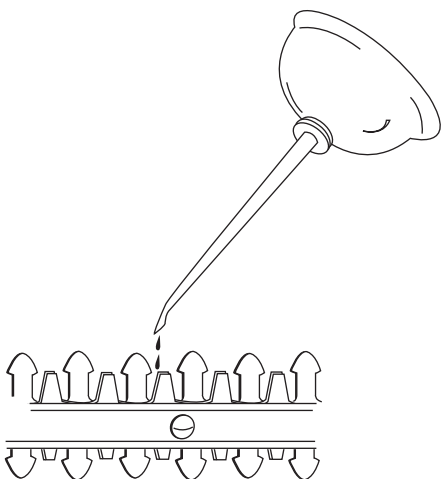


Fig. 6

2. Huilez périodiquement le taille-haies à chaud. Avant d'huiler, arrêtez d'abord l'appareil. Continuez ensuite à tailler. Ne lubrifiez pas pendant que l'appareil est en marche.

AUTRE ENTRETIEN

1. Les lames de coupe sont en acier dur d'excellente qualité et si utilisées normalement, ne nécessitent pas d'affûtage. Par contre, si vous touchez accidentellement un grillage, des pierres du verre ou tout autre objet dur, vous risquez d'ébrécher la lame. Ne faites rien si cela ne cause aucun problème au mouvement de la lame. Si cela cause un problème, éteignez la tête de coupe et ôtez l'encoche à l'aide d'une lime fine ou pierre d'affûtage.
2. Si vous laissez tomber le taille-haie, vérifiez qu'il n'est pas endommagé. Si la lame est tordue, le carter craqué ou les poignées cassées ou si vous voyez tout autre problème qui affecterait le fonctionnement de l'appareil, Veuillez contacter un centre de service réparations professionnel et faites réparer l'outil avant de vous en resservir.
3. Les engrais et tout autres produits de jardinage contiennent des produits chimiques qui accélèrent fortement la corrosion des métaux. Ne pas remiser l'outil sur ou à côté d'engrais ou autres produits chimiques.
4. Avec la machine éteinte (et la bougie débranchée), utiliser exclusivement un savon doux et un chiffon humide pour nettoyer l'outil. Ne pas laisser de liquide s'infiltrer dans l'outil; ne jamais immerger une partie de l'outil dans un liquide.

REMARQUE : Pour assurer la fiabilité et la sécurité du produit, veuillez faire effectuer les réparations, ajustements et entretiens dans un centre de service de réparations professionnel qui utilise des pièces de rechange identiques.

CARACTÉRISTIQUES

Poids de l'appareil (accessoire seulement)..... 2,3 kg (5,11 lb)
Longueur de la lame 558.8 mm (22 po)

REMARQUES

GARANTIE LIMITÉE DU FABRICANT POUR:



La garantie limitée énoncée ci-après est accordée par Troy-Bilt LLC et concerne les marchandises neuves achetées et utilisées aux États-Unis, ses possessions et territoires.

Troy-Bilt LLC garantit ce produit contre tout vice de matière ou de façon pendant une période de deux (2) ans à compter de la date d'achat initiale et elle se réserve le choix de réparer ou de remplacer, à titre gratuit, toute pièce présentant un vice de matière ou de façon. Cette garantie limitée ne s'appliquera que dans la mesure où le produit aura été utilisé et entretenu conformément au Manuel de l'utilisateur fourni avec le produit et n'aura pas fait l'objet d'un usage inadéquat, abusif, commercial ou négligent, d'un accident, d'un entretien inadéquat, d'une modification, de vandalisme, d'un vol, d'un incendie, de dégâts d'eau ou d'un endommagement résultant d'un autre péril ou d'un désastre naturel. Les dommages résultants de l'installation ou de l'utilisation de tout accessoire ou équipement non approuvé par Troy-Bilt pour une utilisation avec le(s) produit(s) couvert(s) par le présent manuel annuleront la garantie en ce qui concerne les dommages qui en résulteraient éventuellement. La présente garantie est limitée à quatre-vingt-dix (90) jours à compter de la date d'achat au détail initiale pour tout produit Troy-Bilt utilisé à des fins locatives ou commerciales, ou toute utilisation produisant des revenus.

POUR L'OBTENTION DU SERVICE DE GARANTIE : le service au titre de la garantie est disponible, SUR PRÉSENTATION D'UNE PREUVE D'ACHAT, AUPRÈS DU DISTRIBUTEUR AGRÉÉ LOCAL. Pour trouver un distributeur dans votre région, visitez notre site Web www.troybilt.com, consultez les Pages Jaunes, appelez le **1-800-828-5500** aux États-Unis ou le **1-800-668-1238** au Canada, ou écrivez à l'adresse Troy-Bilt LLC, PO Box 361131, Cleveland, OH 44136-0019.

La garantie limitée n'offre aucune couverture dans les cas suivants :

- A. Mises au point : bougies, réglages de carburateur, filtres
- B. Éléments pouvant s'user : boutons de butée, bobines extérieures, fil de coupe, moulins intérieurs, poulie du démarreur, cordons de démarrage, courroies d'entraînement
- C. Troy-Bilt LLC n'accorde aucune garantie pour les produits vendus ou exportés des États-Unis d'Amérique, de leurs possessions et territoires, exception faite en ce qui concerne les produits vendus par l'intermédiaire de ses canaux agréés de distribution à l'exportation.

Troy-Bilt LLC se réserve le droit de modifier ou d'améliorer la conception de ses produits sans pour autant assumer l'obligation de modifier tout produit d'une fabrication plus ancienne.

Aucune garantie implicite, y compris toute garantie de valeur marchande ou d'adaptation à une fin particulière, ne s'applique après la période applicable de garantie expresse écrite ci-dessus concernant les pièces qui sont identifiées. Aucune autre garantie ou caution expresse, écrite ou orale, à l'exception de celle mentionnée ci-dessus, accordée par toute personne ou entité, y compris tout distributeur ou détaillant, concernant tout produit n'engagera la responsabilité de Troy-Bilt LLC. Pendant la période de garantie, le recours exclusif est la réparation ou le remplacement du produit dans les conditions énoncées ci-dessus. (Certains états ne permettent pas la limitation de la garantie implicite, il est donc possible que la limitation ci-dessus ne s'applique pas à vous.)

Les clauses énoncées dans la présente Garantie constituent le recours unique et exclusif inhérent aux ventes. Troy-Bilt LLC ne sera en aucun cas tenue pour responsable de tout dommage indirect ou consécutif ou de dommages comprenant, entre autres, les dépenses encourues du fait du recours à des services de remplacement ou de substitution pour l'entretien des pelouses, le transport ou des frais connexes, ou les frais entraînés par une location destinée à remplacer provisoirement un produit sous garantie. (Certains états ne permettent pas la limitation de la garantie implicite, il est donc possible que la limitation ci-dessus ne s'applique pas à vous.)

Aucun recouvrement, quel qu'il soit, ne sera d'un montant supérieur au prix du produit vendu. Toute modification des dispositifs de sécurité du produit annulera la présente Garantie. Vous assumez tout risque et toute responsabilité résultant de la perte, de l'endommagement ou du préjudice que vous et votre propriété et/ou d'autres et leur propriété pourront encourir d'un fait de l'utilisation normale, de la mauvaise utilisation ou de l'incapacité d'utiliser le produit.

La présente garantie limitée n'est accordée qu'à l'acheteur initial, au preneur initial ou à la personne à laquelle le produit a été offert.

Le Droit des États vis à vis de la présente garantie : la présente garantie vous confère certains droits juridiques et vous pouvez bénéficier d'autres droits lesquels varient d'un état à l'autre.

Pour obtenir l'adresse du distributeur réparateur le plus proche, composez le : **1-800-828-5500** aux États-Unis ou le **1-800-668-1238** au Canada.

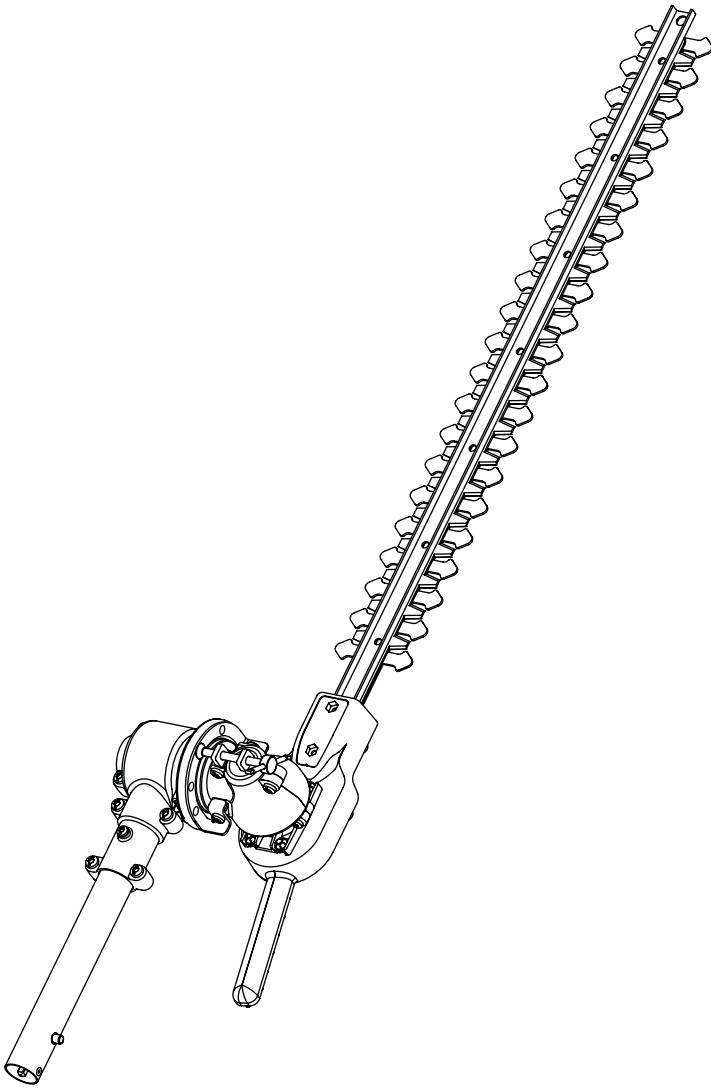
Troy-Bilt LLC

PO Box 361131
Cleveland, OH 44136-0019



Manual del Operador

Recortador de Setos TBAH



CONSERVE ESTAS INSTRUCCIONES

Llame **1-800-828-5500** en EE.UU. o al **1-800-668-1238** en Canada para obtener una lista de distribuidores de servicio localizados cerca de usted. Para obtener más detalles sobre su unidad, visite nuestro sitio en www.troybilt.com.

NO REGRESE SU UNIDAD AL VENDEDOR. PARA SOLICITAR SERVICIO POR LA GARANTIA, DEBERA PRESENTAR PRUEBA DE SU COMPRA.

ESTE PRODUCTO ESTA CUBIERTO POR UNA O MAS PATENTES DE EE.UU., OTRAS PATENTES EN TRAMITE.

El servicio de esta unidad, ya sea durante o después del período cubierto por la garantía, debe ser realizado solamente por un proveedor de servicios autorizado y aprobado.

Antes de que empiece a ensamblar su nuevo equipo, por favor ubique la placa que contiene el modelo de la unidad y escriba esa información en el espacio en blanco aquí debajo. Aquí debajo se explica la muestra de una placa del modelo.

Número de serie Número del modelo Número de la pieza del fabricante

MODEL :	
S/N :	ITEM :

INDICE DE CONTENIDOS

Llamadas a apoyo al cliente	E1
Normas para una operación segura	E2
Conozca su unidad	E4
Instrucciones de ensamble	E4
Instrucciones de operación	E5
Instrucciones de mantenimiento	E6
Especificaciones	E6
Lista de piezas	E7
Garantía	E8


Copiez le numéro de modèle / pièce mère ici :

Copiez le numéro de série ici :


Toda la información, las ilustraciones y las especificaciones contenidas en este manual se basan en la información más reciente disponible en el momento de impresión del manual. Nos reservamos el derecho de hacer cambios en cualquier momento sin aviso previo. Copyright© 2007 MTD SOUTHWEST INC. Todos los derechos reservados.

NORMAS PARA UNA OPERACION SEGURA

SIMBOLO	SIGNIFICADO
---------	-------------

	ALERTA DE SEGURIDAD: Indica peligro, advertencia o precaución. Debe prestar atención para evitar sufrir graves lesiones personales. Puede ser utilizado junto con otros símbolos o figuras.
--	--

NOTA: Le ofrece información o instrucciones que son esenciales para la operación o mantenimiento del equipo.


	PELIGRO: El no obedecer una advertencia de seguridad puede conducir a que usted u otras personas sufran graves lesiones. Siga siempre las precauciones de seguridad para reducir el riesgo de incendio, descarga eléctrica y lesiones personales.
--	--

Lea el manual del operador y siga todas las advertencias e instrucciones de seguridad. De no hacerlo, el operador y/o los espectadores pueden sufrir graves lesiones.

SI TIENE PREGUNTAS, LLAME AL 1-800-828-5500 EN EE.UU. O AL 1-800-668-1238 EN CANADA


• IMPORTANTE INFORMACION DE SEGURIDAD •

LEA TODAS LAS INSTRUCCIONES ANTES DE LA OPERACIÓN

	ADVERTENCIA: Al utilizar la unidad, debe observar las reglas de seguridad. Lea estas instrucciones antes de operar la unidad a fin de garantizar la seguridad del operador y cualquier transeúnte. Guarde estas instrucciones para uso posterior.
--	--


- Lea cuidadosamente y entienda el manual del operador de la unidad que impulsa a este acople.
- Lea este manual de instrucciones de funcionamiento detenidamente. Familiarícese completamente con los controles y el uso apropiado del equipo. Sepa cómo apagar la unidad y desactivar los controles con rapidez.
- No opere esta unidad si está cansado, enfermo, o bajo los efectos del alcohol, drogas o medicamentos.
- Nunca permita que los niños manejen el equipo. Nunca permita que los adultos usen la unidad cuando no estén familiarizados con las instrucciones. Nunca permita que las personas adultas manejen el equipo si no cuentan con las instrucciones apropiadas.
- Se debe instalar adecuadamente todos los protectores y dispositivos de seguridad antes de hacer funcionar la unidad.
- Inspeccione la unidad antes de usarla. Compruebe que la cuchilla esté instalada correctamente y que esté segura.
- Despeje el área que va a cortar antes de cada uso. Quite todos los objetos tales como piedras, vidrios quebrados, clavos, alambre o cuerdas que puedan ser lanzados o que se puedan enredar en el aditamento de la cortadora de setos.


ADVERTENCIAS DE SEGURIDAD ESPECIALES PARA LAS UNIDADES MOTRICES Y RECORTADOR DE SETOS A GASOLINA

	ADVERTENCIA: La gasolina es muy inflamable y sus gases pueden explotar si se encienden. Tome las siguientes precauciones:
--	--

- Guarde el combustible en envases que hayan sido diseñados y aprobados especialmente para el almacenamiento de dichos materiales.
- Antes de llenar el tanque de combustible, apague siempre el motor y espere que se enfríe. No quite nunca la tapa del tanque de combustible ni abastezca combustible mientras el motor esté caliente. No opere nunca la unidad sin la tapa del combustible puesta firmemente en su lugar. Afloje la tapa del combustible lentamente para disipar la presión del tanque.
- Mezcle y abastezca el combustible en un área exterior, limpia y bien ventilada donde no haya chispas ni llamas. Quite lentamente la tapa del combustible sólo después de apagar el motor. No fume mientras abastezca o mezcle el combustible. Limpie de inmediato todo el combustible que se haya derramado.
- Evite crear una fuente de encendido por combustible derramado. No arranque el motor hasta que se hayan disipado los vapores del combustible.
- Aleje la unidad a por lo menos 30 pies (9.1 m) del lugar y fuente de abastecimiento de combustible antes de arrancar el motor. No fume, mantenga las chispas y las llamas abiertas lejos del área mientras abastece el combustible u opere la unidad.
- No arranque ni opere la unidad en una sala o edificio cerrado. Los


SIMBOLO	SIGNIFICADO
---------	-------------

	ADVERTENCIA: El no seguir una advertencia de seguridad puede conducir a que usted u otras personas sufran lesiones. Siga siempre las precauciones de seguridad para reducir el riesgo de incendio, descarga eléctrica y lesiones personales.
---	---

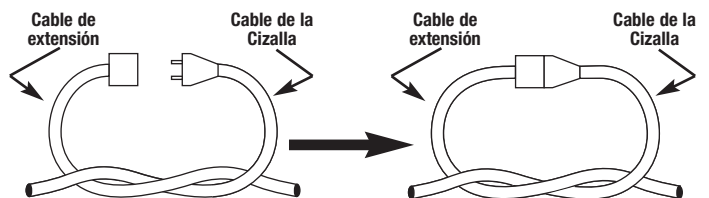
	PRECAUCIÓN: El no seguir una advertencia de seguridad puede conducir a daño patrimonial o a que usted u otras personas sufran lesiones personales. Siga siempre las precauciones de seguridad para reducir el riesgo de incendio, descarga eléctrica y lesiones personales.
---	--


Los símbolos de seguridad se utilizan para llamar su atención sobre posibles peligros. Los símbolos de seguridad y sus explicaciones merecen toda su atención y comprensión. Los símbolos de seguridad no eliminan ningún peligro por sí mismos. Las instrucciones o advertencias que ofrecen no substituyen las medidas adecuadas de prevención de accidentes.

ADVERTENCIAS DE SEGURIDAD ESPECIALES PARA LAS UNIDADES MOTRICES Y RECORTADOR ELÉCTRICO DE SETOS

	ADVERTENCIA: Para reducir el riesgo de descarga eléctrica, use sólo cables de extensión aprobados para ser usados en exteriores, como los cables de extensión tipo SW-A, SOW-A, STW-A, STOW-A, SJW-A, SJOW-A, SJTW-W o SJTOW-A. Puede adquirir cables de extensión en su distribuidor local. Use sólo cables de extensión de camisa cilíndrica aprobados para ser usados en exteriores.
---	--

- **CABLES DE EXTENSIÓN:** Verifique que su cable de extensión esté en buenas condiciones. Cuando utilice un cable de extensión, verifique que el mismo sea lo suficientemente grueso para conducir la corriente que consume la unidad. Si utiliza un cable demasiado delgado, eso ocasionará una caída de voltaje de la línea, y en consecuencia, una pérdida de potencia y recalentamiento. Lea el manual del operador de la unidad que accionará este accesorio para informarse acerca del tamaño recomendado de cable de extensión.
- Inspeccione con frecuencia todos los cables de extensión y la conexión de la unidad a la corriente. Revise con cuidado para ver si hay deterioros, cortes o grietas en el aislamiento. Inspeccione también las conexiones para ver si han sufrido daños. Cambie los cables si observa algún defecto o daño.
- Evite la desconexión del cable de extensión del cabezal motorizado de la cortadora de setos durante el funcionamiento, utilizando un retenedor de enchufe-receptáculo, conector o haciendo un nudo como se muestra aquí debajo:



	PELIGRO: PELIGRO DE CORTE O DESCARGA - Mantenga las manos lejos de las cuchillas. Mantenga una mano en el mango auxiliar del cabezal motorizado y en el mango curvo del aditamento cuando la unidad esté prendida. No intente quitar el material cortándolo ni sostener el material a cortar cuando las cuchillas estén en movimiento. Compruebe que el interruptor de la unidad motorizada esté apagado cuando despeje el material atascado en las cuchillas. No agarre las cuchillas expuestas o los bordes de corte de la cizalla para corte de setos. Use guantes cuando manipule la cuchilla. No haga funcionar la unidad con una mano.
---	--

- Evite los ambientes peligrosos. No opere nunca su unidad en ambientes húmedos ni mojados. La humedad representa un peligro de descarga eléctrica.

NORMAS PARA UNA OPERACIÓN SEGURA

- No use la unidad bajo la lluvia. No la use dentro del agua ni alrededor de ella.
- No toque el enchufe ni la unidad con las manos mojadas ni cuando esté parado sobre una superficie mojada.
- No deje la unidad enchufada mientras no la use, mientras cambie los accesorios o aditamentos, o mientras le haga mantenimiento.

DURANTE LA OPERACIÓN

- Mantenga retirados a los espectadores, especialmente a los niños y animales domésticos por lo menos a 50 ft (15 m) de distancia.
- Use lentes o gafas de protección que cumplan con las normas ANSI Z87.1, y protección para sus oídos/audición mientras opere esta unidad. Use siempre una máscara facial o para protegerse contra el polvo si la operación levanta polvo.
- Use pantalones largos y gruesos y guantes. No vista ropa holgada, alhajas, pantalones cortos, sandalias ni esté descalzo. Asegure su cabello sobre el nivel de los hombros.
- Use la unidad únicamente con la luz diurna o con buena luz artificial.
- Use la cizalla para corte de setos apropiadamente. Use esta herramienta solamente para el propósito pretendido. Usela para recortar el tipo de arbusto, crecimiento, etc., descrito en las instrucciones de funcionamiento.
- No esfuere ni sobrecargue el podador. El podador funcionará de la mejor manera y en forma más segura cuando se maneje dentro de los parámetros bajo los cuales fue diseñado.
- Tenga mucho cuidado cuando retroceda o hale la unidad hacia usted.
- No se estire demasiado, tenga cuidado adicional cuando trabaje en pendientes o inclinaciones. Mantenga la pisada firme y buen equilibrio en todo momento.
- NO se pare sobre una superficie inestable. No la use mientras esté en una escalera.
- Sostenga siempre la unidad con ambas manos durante la operación. Agarre firmemente ambas manijas o mangos anteriores y posteriores.



PRECAUCIÓN: Las cuchillas continúan moviéndose después de poner la unidad en la posición de apagado.

- Mantenga las manos, cara y pies lejos de todas las piezas que se muevan. No toque ni intente detener las cuchillas cuando estén en movimiento.
- No opere la unidad a una velocidad mayor que la necesaria para recortar bordes. No opere la unidad a alta velocidad cuando no está recortando bordes.
- Pare siempre la unidad cuando se demora el trabajo o mientras camina entre diferentes zonas de corte.
- Detenga el motor para hacerle mantenimiento, reparaciones, para instalarle o quitarle las cuchillas. Detenga la unidad y las cuchillas deben dejar de moverse para evitar lesiones.
- Póngase gafas resistentes en todo momento cuando manipule,

• SIMBOLOS DE SEGURIDAD E INTERNACIONALES •

Este manual del operador describe los símbolos y figuras de seguridad e internacionales que pueden aparecer en este producto. Lea el manual del operador para obtener información completa acerca de la seguridad, ensamble, operación y mantenimiento y reparación.

SIMBOLO SIGNIFICADO

	<ul style="list-style-type: none"> • SIMBOLO DE ALERTA DE SEGURIDAD Indica peligro, advertencia o precaución. Puede ser utilizado junto con otros símbolos o figuras.
	<ul style="list-style-type: none"> • ADVERTENCIA—LEA EL MANUAL DEL OPERADOR Lea el manual del operador y siga todas las advertencias e instrucciones de seguridad. De no hacerlo, el operador y/o los espectadores pueden sufrir graves lesiones.
	<ul style="list-style-type: none"> • ADVERTENCIA DE CALIENTE No toque un silenciador ni un cilindro caliente. Puede quemarse. Estas partes se calientan mucho con el uso. Luego de apagarse permanecen calientes durante un corto tiempo.
Min. 50ft (15m) 	<ul style="list-style-type: none"> • MANTENGA ALEJADOS A LOS ESPECTADORES ADVERTENCIA: Mantenga retirados a los espectadores, especialmente a los niños y animales domésticos por lo menos a 15 m (50 ft) de distancia.

- quite, instale o limpie las cuchillas.
- Si golpea algún objeto extraño o se enreda con él, pare el motor inmediatamente y busque daños. Haga arreglar cualquier daño antes de intentar el funcionamiento ulterior.
- Pare la unidad DE INMEDIATO si siente una vibración excesiva. La vibración es señal de que hay problemas. Inspeccione bien si hay tuercas o pernos flojos o daños antes de continuar. Repare o cambie las piezas afectadas según sea necesario.
- Pare y apague la unidad para hacerle mantenimiento, reparación o para cambiarle accesorios.
- Mantenga la cizalla para corte de setos de manera cuidadosa. Mantenga las cuchillas afiladas y limpias en todo momento para que provean el rendimiento más seguro y mejor. Siga las instrucciones de mantenimiento. Use un paño limpio cuando limpie en todo momento. Nunca use aceite de frenos, gasolina, productos a base de petróleo o ningún otro disolvente para limpiar la unidad.
- Use únicamente piezas de repuesto y accesorios MTD genuinos para esta unidad. Se encuentran disponibles en el distribuidor autorizado. El uso de piezas o accesorios que no sean MTD puede ocasionarle lesiones graves al usuario o dañar la unidad y anular la garantía.

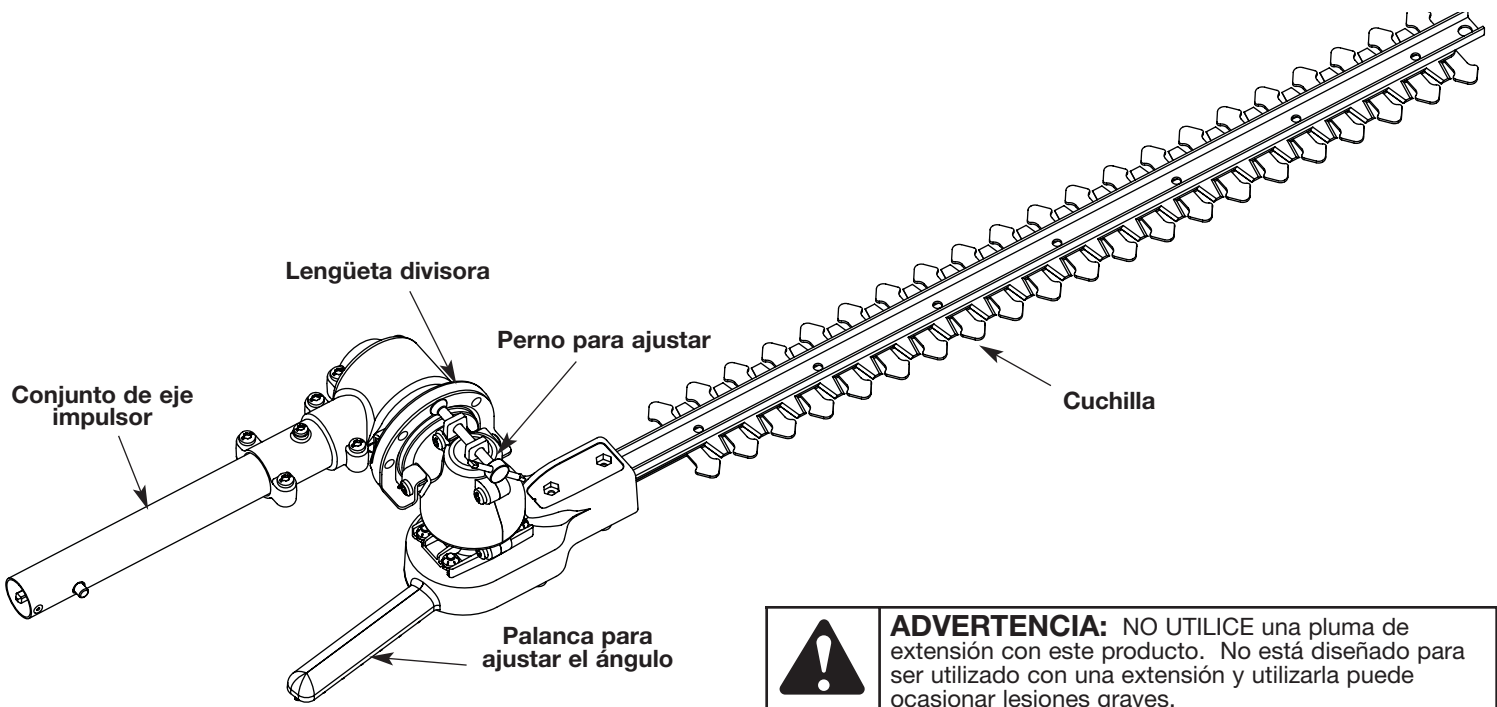
OTRAS ADVERTENCIAS DE SEGURIDAD

- Espere que el motor se enfríe antes de guardar o transportar la unidad. Compruebe que la unidad esté segura al transportarla.
- Guarde la unidad bajo llave en un lugar adecuado y seco para evitar que sea usada por personas no autorizadas y se dañe, lejos del alcance de los niños.
- Nunca remoje o chorree la unidad con agua o cualquier otro líquido. Mantenga los mangos secos, limpios y libres de escombros. Límpiela después de cada uso.
- Guarde estas instrucciones. Consúltelas con frecuencia y utilícelas para enseñar a otros usuarios. Si le presta esta unidad a alguien, préstele también estas instrucciones.
- Cualquier reparación o procedimientos de mantenimiento que no estén descritos en este manual deben ser hechos únicamente por personal calificado.
- Compruebe frecuentemente el apriete de los pernos de la cizalla, de montaje del motor y otros pernos para que tenga la seguridad de que el equipo esté en buen estado de funcionamiento.
- Cuando guarde la unidad dentro de un edificio, aléjela de fuentes de encendido. Permita que el motor se enfríe antes de guardarla en cualquier caja protectora.
- Consulte siempre las instrucciones del Manual del Operario para que se informe sobre detalles importantes, si va a guardar la unidad durante un período de tiempo prolongado.
- No intente arreglar la máquina a menos que tenga las herramientas apropiadas y las instrucciones para desensamblarla y arreglarla.

GUARDE ESTAS INSTRUCCIONES

SIMBOLO SIGNIFICADO

	<ul style="list-style-type: none"> • USE PROTECCION OCULAR Y AUDITIVA ADVERTENCIA: Los objetos arrojados por la unidad y el ruido fuerte pueden causar graves lesiones oculares y pérdida auditiva. Utilice protección ocular que cumpla con las normas ANSI Z87.1 y protección auditiva cuando opere esta unidad. Use una careta completa cuando la necesite.
	<ul style="list-style-type: none"> • MANTENGA LAS MANOS LEJOS DE LAS CUCHILLAS LAS CUCHILLAS EN MOVIMIENTO CAUSAN LESIONES GRAVES. No ponga las manos en las cuchillas cuando ponga el motor en marcha o mientras maneje el accesorio para corte de setos.
	<ul style="list-style-type: none"> • USE AMBAS MANOS Use siempre ambas manos al operar la sierra de cadena. Nunca opere la sierra con una sola mano.



ADVERTENCIA: NO UTILICE una pluma de extensión con este producto. No está diseñado para ser utilizado con una extensión y utilizarla puede ocasionar lesiones graves.

INSTRUCCIONES DE ENSAMBLE

ENSAMBLAJE DEL ACOPLADOR

ADVERTENCIA: Lea y comprenda el manual del operador de los accesorios antes de su operación.

ADVERTENCIA: Para evitar graves lesiones personales, apague la unidad antes de sacar o instalar accesorios.

Instalación del accesorio

NOTA: Para facilitar la instalación o remoción de los accesorios, ponga la unidad sobre el suelo o sobre un banco de trabajo.

1. Quite el colgador de encima de la cubierta del eje.
2. Apriete el botón girándolo hacia la derecha (Fig. 1).

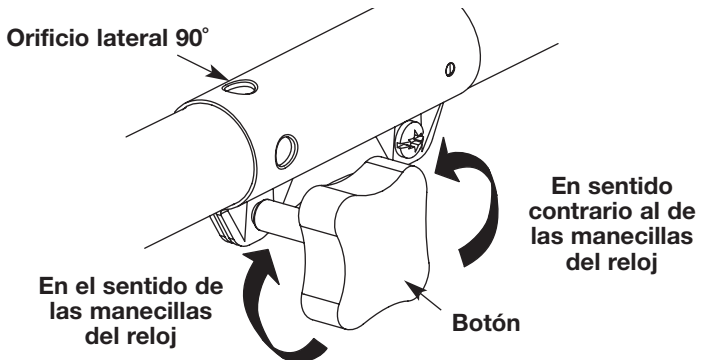


Fig. 1

3. Mientras sostiene el accesorio con firmeza, empújelo en línea recta en el acoplador (Fig. 2).

NOTA: La alineación del botón de desconexión con la guía ayuda en la instalación (Fig. 3).

PRECAUCIÓN: Trabe el botón de desconexión en el orificio primario y ajuste bien la perilla antes de operar esta unidad.

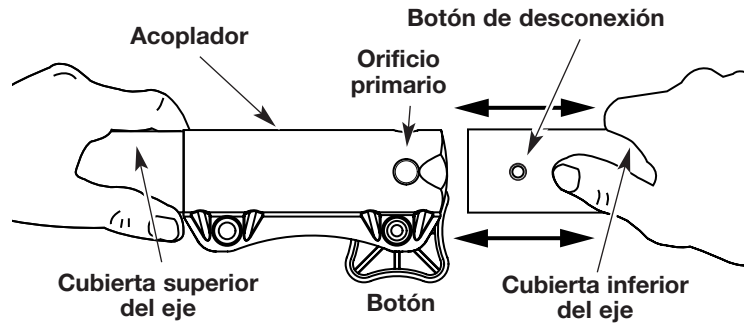


Fig. 2

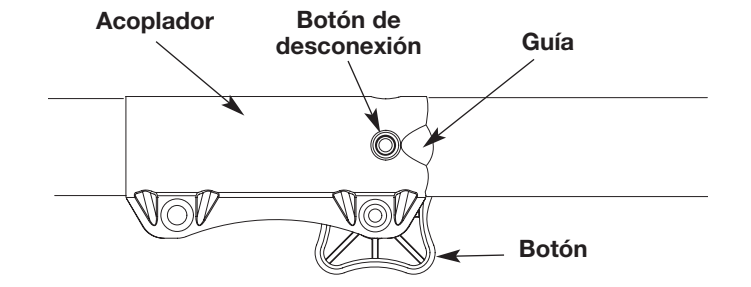


Fig. 3

4. Apriete el botón girándolo hacia la derecha (Fig. 3). El accesorio deberá instalarse con el botón de desconexión en el orificio primario.

PRECAUCIÓN: Los accesorios deben ser usados en el orificio primario. El usar el orificio incorrecto puede conducir a lesiones personales o daño de la unidad.

INSTRUCCIONES DE ENSAMBLE

Remoción del accesorio

1. Para aflojarlo, gire el botón en el sentido opuesto al de las manecillas del reloj (Fig. 1).
2. Oprima y sostenga oprimido el botón de liberación (Fig. 3).
3. Mientras sostiene con firmeza el bastidor del eje superior, tire del accesorio hacia afuera del acoplador (Fig. 2).

Inspeccione el acoplamiento del eje acodado antes de usar la unidad

1. Arranque la unidad.
2. Enganche y suelte el gatillo brevemente.
3. Verifique que el accesorio esté funcionando.
4. Si el accesorio no está funcionando, retire el accesorio y repita los pasos para su instalación.
5. Vuelva a verificar el funcionamiento del accesorio.

INSTRUCCIONES DE ENSAMBLE

PREPARACIÓN PARA EL FUNCIONAMIENTO



ADVERTENCIA: Vista en forma adecuada para reducir el riesgo de lesiones cuando opere esta unidad. No use ropa holgada ni alhajas. Use protección ocular y auditiva. Use pantalones largos y gruesos, botas y guantes. No use pantalones cortos, sandalias ni trabaje descalzo.



ADVERTENCIA: Cerciórese de que la unidad esté apagada antes de ajustar el ángulo de recorte.

Ajuste el ángulo del recortador para adaptarse al área que usted esté recortando; ajuste el ángulo de la cuchilla según la situación. Ajuste la cuchilla como se indica a continuación:

1. Sujete el perno de ajuste (Fig. 4) y hágalo girar hacia la izquierda para destornillar el perno del orificio en el anillo divisor.

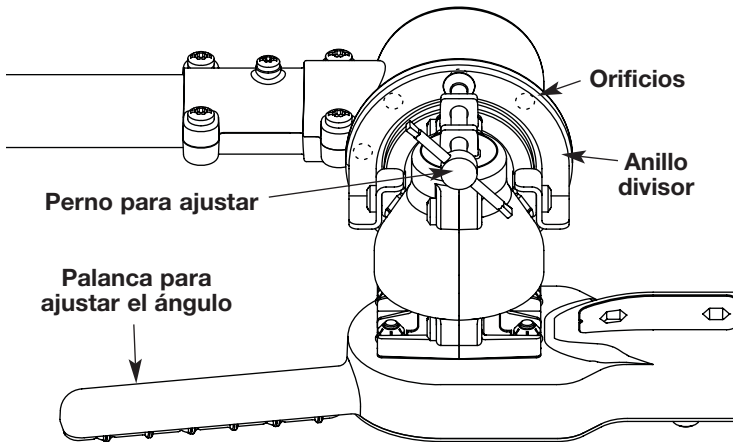


Fig. 4

2. Haga girar la cuchilla hacia la posición deseada utilizando el sostenedor de ajuste del ángulo.
3. Alinee el perno de ajuste con el orificio correspondiente en el anillo divisor.
4. Atornille el perno en el orificio divisor girándolo hacia la derecha hasta que quede apretado con la mano para fijar la cuchilla.



ADVERTENCIA: Antes de cada uso, y de manera periódica cuando se use, asegúrese de que el perno de ajuste esté correctamente apretado.



ADVERTENCIA: Si opera la unidad en un declive, permanecer abajo del aditamento de cortado. NO OPERAR en declive o en una pendiente empinada si existe la mínima posibilidad de resbalarse o perder el equilibrio.



ADVERTENCIA: Si falta alguna pieza, si hay piezas dañadas o quebradas, no haga funcionar la cizalla hasta que las cambie. El no hacerlo podría ocasionar lesiones corporales graves.



ADVERTENCIA: Mantenga las manos y los dedos lejos de piezas en movimiento. Cualquier parte del cuerpo que haga contacto con las piezas en movimiento podría ocasionarle lesiones graves.



PELIGRO: Si la cuchilla se atasca en cualquier cable eléctrico, ¡NO TOQUE LA CUCHILLA! PUEDE SER CONDUCTORA DE ELECTRICIDAD Y SER MUY PELIGROSO. Suelte la unidad de la manera más segura posible y apague la electricidad.

CONSEJOS ÚTILES PARA EL FUNCIONAMIENTO

- Cortado de setos: Un movimiento amplio, alimentando los dientes de las cuchillas de pequeñas ramas es lo más efectivo. Un pequeño ángulo hacia abajo en las cuchillas en la dirección del movimiento genera un mejor corte.
- Póngase guantes cuando corte arbustos espinosos o con púas. Cuando corte crecimientos nuevos, aplique un movimiento de recorrido amplio de manera que las ramas entren directamente en la cuchilla. El crecimiento más viejo tiene tallos más gruesos y éstos se cortan con mayor facilidad al aplicar un movimiento de aserrado.
- No intente cortar tallos que tengan más de 11 mm (7/16 pulg) de grosor. Use una sierra manual o sierra de poda para recortar los tallos gruesos.
- Si lo desea, puede usar una cuerda para que ayude en el corte nivelado. Decida cómo quiere hacer el corte. Luego, estire un pedazo de cuerda a lo largo del cerco a esa altura. Haga el corte justo por encima del nivel de la cuerda. Corte el borde de manera que sea ligeramente más angosto en la parte superior. Así expone más parte del cerco cuando le da esa forma y es más uniforme.
- Cortes laterales: Mantenga su herramienta como se ve en la ilustración, y comience en la parte inferior moviendo su máquina de abajo hacia arriba.

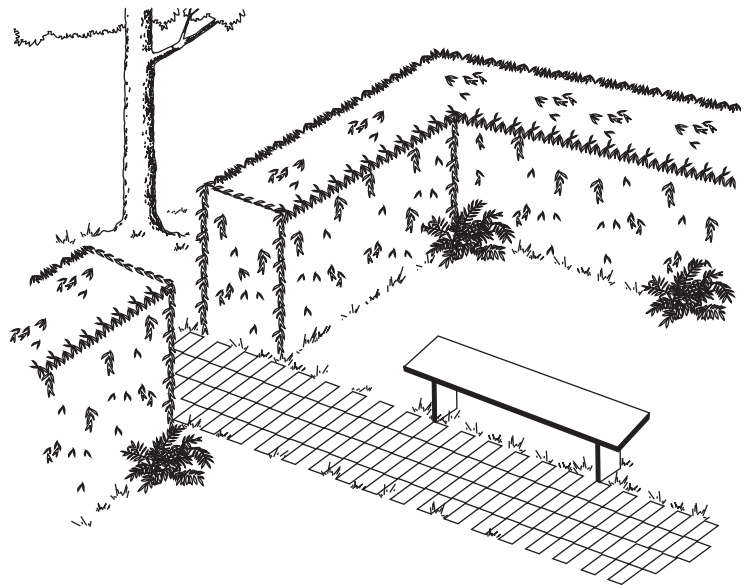


Fig. 5

INSTRUCCIONES DE MANTENIMIENTO Y REPARACIÓN

LUBRICACIÓN DE LA CUCHILLA



ADVERTENCIA: Antes de lubricar, asegúrese que su cortador de setos esta desconectado de la corriente eléctrica. Falla en este procedimiento podría causar que se encendiera su unidad accidentalmente, causando serias lastimaduras personales.

1. Para que la cuchilla funcione más fácil y dure más, lubríquela antes y después de cada uso. Compruebe que el interruptor del cabezal esté apagado (OFF) antes de lubricarla. Aplíquelo aceite liviano para máquinas a lo largo del borde de la correa superior (Fig. 6).

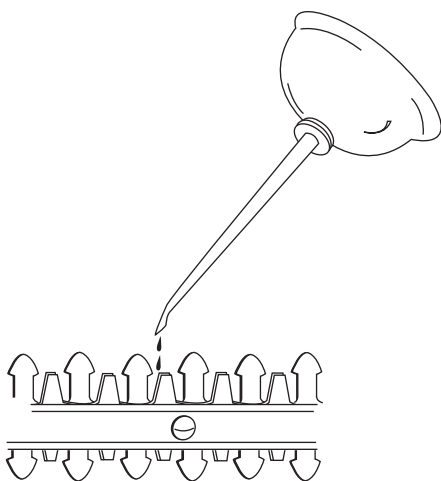


Fig. 6

2. Usted debe aceitar ocasionalmente el accesorio de la cizalla durante el uso. Antes de aceitarlo, pare la cizalla y acéitelo. Puede continuar con el corte después de hacerlo. No lo aceite mientras el accesorio de la cizalla esté funcionando.

OTRO MANTENIMIENTO

1. Las cuchillas de corte están fabricadas de acero endurecido de alta calidad y con el uso normal no requerirán de afilado. Mas sin embargo si accidentalmente usted toca o golpea una roca, un cable, vidrio, o cualquier otro objeto duro, pudiera mellar la cuchilla, no hay necesidad de remover la melladura de la cuchilla si esta no interfiere con el movimiento natural de corte. En caso que si interfiere la melladura, apague la unidad y con una lima plana lime la melladura hasta que vea que no interferirá con el movimiento de esta.
2. Si deja caer accidentalmente su unidad, inspecciónela cuidadosamente. Si las cuchillas se doblaron, si la carcasa se rompió, si el maneral se rompió o si usted ve algún otro desperfecto, lleve su unidad a un centro de servicio autorizado par que se la repare antes que usted pretenda encender otra vez su herramienta.
3. Fertilizantes y otros químicos usados en el jardín contienen agentes que aceleran el proceso de corrosión de metales. No almacene su herramienta en lugares donde pudiera tener contacto su herramienta a estos materiales.
4. Con la unidad apagada (y la bujía desconectada), use jabón de manos y un trapo húmedo para limpiar su herramienta. No permita que ningún liquido se introduzca dentro de su maquina, nunca meta partes de su herramienta en líquidos.

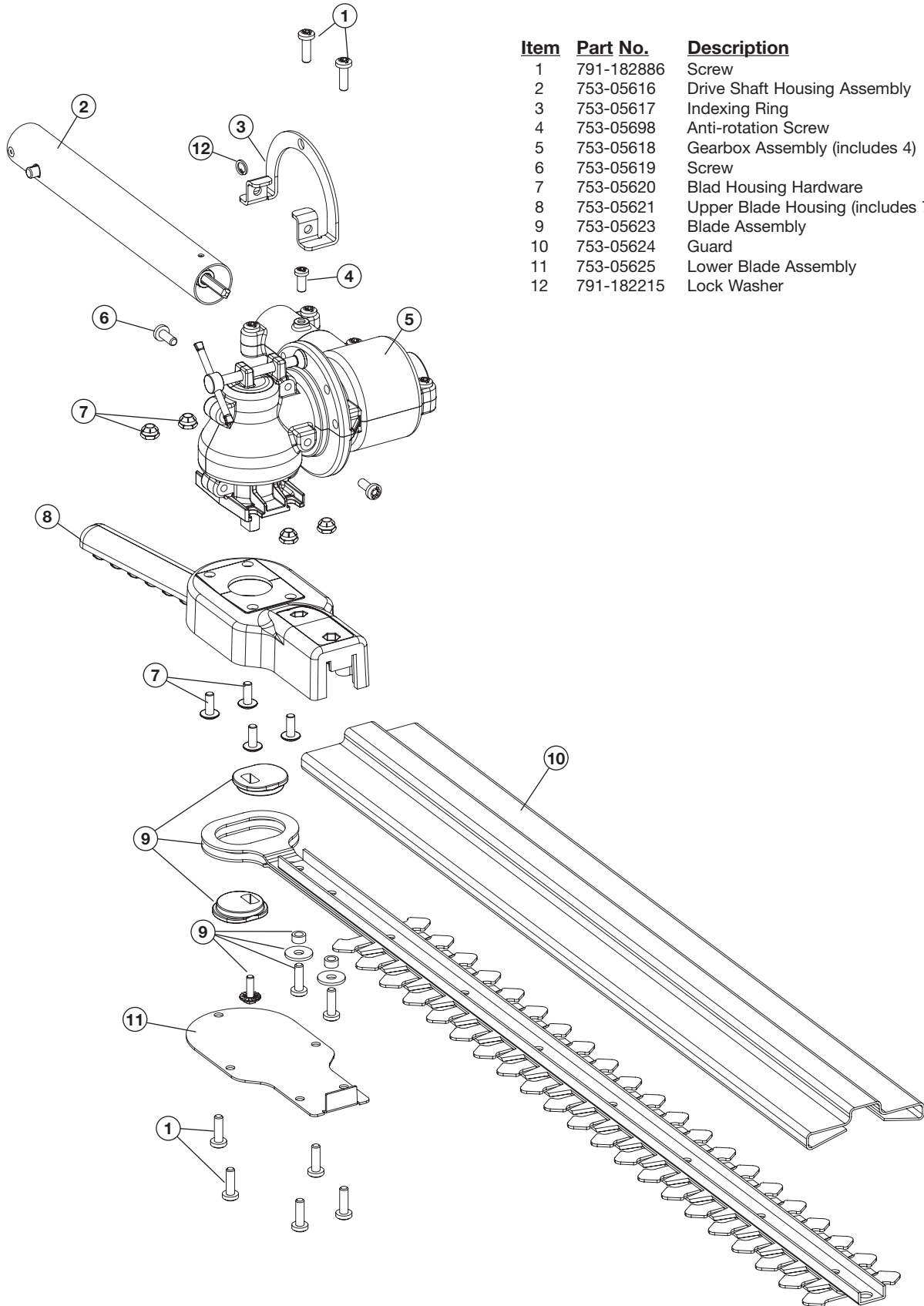
NOTA: Para asegurar la seguridad y funcionamiento, reparaciones, mantenimiento y ajustes deberán ser realizados por un centro de servicio autorizado usando partes originales e idénticas.

ESPECIFICACIONES

Peso de la unidad (Sólo el accesorio)..... 2,3 kg (5,11 libras)
Longitud de la cuchilla..... 558.8 mm (22 pulg)

PARTS LIST

REPLACEMENT PARTS - MODEL TBAH
HEDGE TRIMMER ATTACHMENT



Item	Part No.	Description
1	791-182886	Screw
2	753-05616	Drive Shaft Housing Assembly
3	753-05617	Indexing Ring
4	753-05698	Anti-rotation Screw
5	753-05618	Gearbox Assembly (includes 4)
6	753-05619	Screw
7	753-05620	Blad Housing Hardware
8	753-05621	Upper Blade Housing (includes 7)
9	753-05623	Blade Assembly
10	753-05624	Guard
11	753-05625	Lower Blade Assembly
12	791-182215	Lock Washer

GARANTÍA LIMITADA DEL FABRICANTE PARA:



Troy-Bilt LLC concede la garantía limitada establecida debajo para mercancías nuevas que sean compradas y usadas en los Estados Unidos, sus posesiones y territorios.

Troy-Bilt LLC garantiza este producto contra defectos en el material y la mano de obra durante un periodo de dos (2) años, a partir de la fecha de compra original y a su entera discreción, arreglará o substituirá sin costo alguno cualquier pieza cuyo material o mano de obra se considere defectuoso. Esta garantía limitada se deberá aplicar únicamente si este producto ha sido manejado y mantenido de acuerdo al Manual del Operario incluido con el producto y, si no ha sido sometido a mal uso, abuso, uso comercial, negligencia, accidente, mantenimiento inapropiado, alteración, vandalismo, hurto, fuego, agua o daños debidos a otros riesgos o desastre natural. Los daños ocasionados por la instalación o el uso de cualquier accesorio o aditamento que no esté aprobado por Troy-Bilt y que sea usado con el (los) producto(s) contemplados en este manual, anularán la garantía con respecto a cualquier daño resultante. Esta garantía está limitada a noventa (90) días a partir de la fecha de compra original al detalle de cualquier producto Troy-Bilt que se use para alquiler, para propósitos comerciales o cualquier otro propósito que genere ingresos.

CÓMO OBTENER SERVICIO: El servicio de garantía está disponible A TRAVÉS DE SU DISTRIBUIDOR DE SERVICIO LOCAL AUTORIZADO, AL PRESENTAR EL COMPROBANTE DE COMPRA. Para localizar al distribuidor en su área, visite nuestro sitio en Internet en www.troybilt.com, busque el aviso clasificado en las Páginas Amarillas, llame al **1-800-828-5500** en EE.UU. o al **1-800-668-1238** en Canada, o escriba a Troy-Bilt LLC, PO Box 361131, Cleveland, OH 44136-0019.

Esta garantía limitada no ofrece cobertura en los siguientes casos:

- A. Sincronizaciones - bujías, ajustes de carburadores, filtros.
- B. Artículos de desgaste, perillas percusivas, carretes externos, línea de corte, carretes internos, polea de arranque, cuerdas de arranque, correas motoras.
- C. Troy-Bilt no le ofrece ninguna garantía a los productos que sean vendidos o exportados fuera de los Estados Unidos de América, sus posesiones y territorios, excepto aquellos que se vendan a través de los canales de distribución para exportación autorizados por Troy-Bilt.

Troy-Bilt se reserva el derecho a cambiar o mejorar el diseño de cualquier producto Troy-Bilt, sin adoptar ninguna obligación para modificar cualquier producto fabricado con anterioridad.

Ninguna garantía implícita es aplicable después del período de aplicabilidad de la garantía expresa escrita con anterioridad, incluyendo cualquier garantía implícita de comerciabilidad o idoneidad para un propósito particular con respecto a las piezas identificadas. Exceptuando lo mencionado anteriormente, ninguna otra garantía expresa bien sea escrita o verbal con respecto a cualquier producto que sea concedida por cualquier persona o entidad, incluyendo al distribuidor o minorista, deberá comprometer a Troy-Bilt LLC durante el período de la Garantía, el remedio exclusivo es el arreglo o la sustitución del producto según lo establecido anteriormente. (Algunos estados no permiten limitaciones en cuanto al período de duración de una garantía implícita, de manera que puede que la limitación anterior no sea aplicable en su caso.)

Las estipulaciones establecidas en esta Garantía ofrecen la solución única y exclusiva que resulte de las ventas. Troy-Bilt no deberá ser responsable de pérdidas o daños incidentales o consecuentes que incluyan, sin limitación, gastos incurridos debido a la sustitución de servicios de mantenimiento de prados, transporte o gastos relacionados, o gastos de alquiler para reemplazar temporalmente un producto bajo garantía. (Algunos estados no permiten limitaciones en cuanto al período de duración de una garantía implícita, de manera que puede que la limitación anterior no sea aplicable en su caso.)

Ningún tipo de recuperación deberá ser superior al precio de compra del producto vendido, en ningún caso. La alteración de las características de seguridad del producto deberá anular esta Garantía. Usted adopta el riesgo y la obligación de la pérdida, daño o lesión en su persona o a su propiedad y/o la de otras personas y sus propiedades, que se origine a raíz del uso o mal uso, o la incompetencia para usar el producto.

Esta garantía limitada no deberá cubrir a ninguna otra persona distinta al comprador original, arrendatario original, o la persona para la cual se compró en calidad de regalo.

Relación de las leyes estatales con esta Garantía: Esta garantía le confiere derechos legales específicos, y puede que usted también tenga otros derechos, los cuales varían en cada estado.

Para localizar al distribuidor de servicio local más cercano, marque el número **1-800-828-5500** en EE.UU. o al **1-800-668-1238** en Canada.

Troy-Bilt LLC

PO Box 361131
Cleveland, OH 44136-0019

Free Manuals Download Website

<http://myh66.com>

<http://usermanuals.us>

<http://www.somanuals.com>

<http://www.4manuals.cc>

<http://www.manual-lib.com>

<http://www.404manual.com>

<http://www.luxmanual.com>

<http://aubethermostatmanual.com>

Golf course search by state

<http://golfingnear.com>

Email search by domain

<http://emailbydomain.com>

Auto manuals search

<http://auto.somanuals.com>

TV manuals search

<http://tv.somanuals.com>