



TRIPOD & SUPPORT SYSTEMS



VISTA
by Davis & Sanford®

Davis & Sanford, one of America's oldest, most respected tripod manufacturers, has been a major force in the advancement of modern tripod design for nearly 80 years. The company grew out of the renowned Davis & Sanford Photo Studio on Fifth Avenue in New York. Founded in 1892 it catered to members of New York's high society, including such notables as Andrew Carnegie. In 1930, Davis & Sanford was re-established as a tripod manufacturer specializing in super-rigid, light-weight metal tripods that set a standard for the industry. That spirit of functional excellence, technical innovation, and outstanding value continues today, with the latest line of Davis & Sanford tripods.

Vista Tripods, the vibrant new line by Davis & Sanford was introduced in 2006 to provide the growing number of hobbyist and enthusiast photographers and videographers with state-of-the art tripods offering the highest performance and durability at affordable prices. The line includes a wide selection of lightweight, easy to use designs based on the latest technology, that offer the same dependable level of support that Davis & Sanford provides to assure each customer a perfect long-term shooting experience.

Together Davis & Sanford and Vista by Davis & Sanford comprise the most comprehensive line of tripods available, with models to serve the special needs of portrait, fashion, astronomical, and industrial photographers as well as photojournalists and professional videographers.

Davis & Sanford and Vista tripods offer a matchless combination of convenience, performance, durability, and value, all based on our 75-year tradition of uncompromising quality. And to prove our commitment, all are backed by our 10-year warranty.

Professional Multi-Purpose Series	4-8
Carbon Fiber Series	9-11
Heavy Duty Video Series	12-13
Provista Video Series	14-17
Heavy Duty Multi-Purpose	18-22
Monopods	22-23
Pro Video Support	24-25
Vista Lightweight	26-33
Vista Tabletops	31
Still Photo Head	34-35
Ball Heads	36
Video Heads	37
Platform Heads	38
Accessories	39-43
Specifications Chart	44-47

MAGNUMGR with 3-Way Pan Head

- Extra sturdy body and 32mm legs for indoor or outdoor use with grounder feature for Digital DSLR, still, video or scope uses
- 3-way FX10 photo video head with quick release plate
- Built in bubble level in head and tripod
- 3-position, 32mm independent leg adjustments
- Quick-lift 2-section centerpost has wing lock control for rapid adjustment and locking

Maximum Height: 70"	Minimum Height: 11.5" Folded: 28"
Centerpost Diameter & Height: 28mm, 14"	Leg Diameter & Sections: 32mm, 3-sections
FX10 Quick Release: QRFEX10	Leg Lock Type: Flip lock
Capacity: Tripod: 15 lbs. Head: 12 lbs	Total Weight: 6.9 lbs



CourierXTT

Courier Special Tripod

- Solid aluminum construction perfect for digital, photo, video and telescopes up to 9 lbs.
- Aluminum head and tripod construction
- Foam padded 36mm legs
- Bubble level and rubber to spike feet
- 3-way FX10 head
- Bonus: Soft sided tripod bag



Maximum Height: 67"	Minimum Height: 26" Folded: 27"
Centerpost Diameter & Height: 24mm, 14"	Leg Diameter & Sections: 36mm, 3-sections
FX10 Quick Release: QRFEX10	Leg Lock Type: Snap lock
Capacity: 9 lbs.	Total Weight: 5 lbs.

MagnumX3T

3-Section Tripod with Panhead

- Extra sturdy body and 32mm legs
- Perfect for DSLR, camcorders and scopes
- Full 3-way action head with quick release plate
- Built in bubble level in head and tripod
- Foam-cushioned legs
- Reversible centerpost
- 3-way FX10 head
- 3-section leg design with lever leg locks



Maximum Height: 69"	Minimum Height: 25" Folded: 26"
Centerpost Diameter & Height: 35mm, 15"	Leg Diameter & Sections: 32mm, 3-sections
FX10 Quick Release: QRFEX10	Leg Lock Type: Flip lock
Capacity: 9 lbs.	Total Weight: 6.6 lbs.

ATP

All Terrain Pod with no head ATPX10 with FX10 Head

- Versatile heavy-duty tripod built for all outdoor conditions or indoor use
- Weather-resistant aluminum and stainless steel construction
- 2-section rectangular closed channel self cleaning legs with freeze-proof leg locks
- Easy glide centerpost
- Adjustable brace with lock allows a variable footprint from 15" - 61" across
- Pivoting flat/pointed feet adjust to any terrain
- Foam cushioned insulated legs
- Removable 3-way head with quick release



BHQ11 Accessory

Tripod Specifications: with Head & without head

Maximum Height: 61"/58"	Min. Height: 23"/19", Folded: 31/29"
Centerpost Dia. & Height: 35mm, 20"	Leg Dia. & Sections: 38 x 19mm, 2-section
FX10 Quick Release: QRFX10	Leg Lock Type: Vire Action
Capacity: Tripod: 35 lbs. Head: 12 lbs.	Total Weight: 7 lbs. /5 lbs.

ATPXT

ATP Tripod Monopod Kit

- Versatile ATPX10 tripod and TrailTrekker Monopod Kit are built for all outdoor conditions or indoor use
- Trailtrekker Monopod is dual-purpose walking stick/monopod with shock absorber/camera stabilizer with titanium tip
- Solid hardwood handle unscrews to reveal standard camera/scope mount on Trailtrekker

Monopod Specifications:

Maximum Height: 59" Minimum Height: 31"	Leg Sections: 5 Leg Locks: Twist
Capacity: 7 lbs. Diameter: 18mm	Total Weight: 1 lb.



CARBONLITETZ10

Carbonlite Transporter with FZ10 Head CARBONLITETZ3 with no head

- Ultra lightweight full size tripod with multi-positional carbon fiber legs for vibration free shooting
- Ultra-light 8 layer carbon fiber and aluminum tripod is perfect for photo, digital and video
- 3-position, 24mm independent aluminum leg adjustments and canopy
- Tripod and head have bubble levels
- Adjustable aluminum snap leg locks
- Rubber feet add extra stability
- Quick lift 2-section centerpost has wing lock control
- Bottom center post hook
- FZ10 3-way head with quick release
- Bonus: High quality, padded carrying bag included



BHQ11 Accessory



V-12 Head Accessory

Specifications with Head/without head

Maximum Height: 57"/54"	Min. Height: 11"/9" Folded: 24.5"/21.5"
Centerpost Diameter & Height: 28mm, 10"	Leg Diameter & Sections: 24mm, 3-sections
FZ10 Quick Release: QRFZ10	Leg Lock Type: Snap lock
Capacity: Tripod: 14 lbs. Head: 12 lbs.	Total Weight: 4 lbs./2 lbs.

CARBONLITE3

28mm Carbon Fiber Tripod, no head

CARBONLITEX10

With FZ10 Head



BHQ11
Accessory



V-12 Head
Accessory



Shown with
FZ10 Head

- Ultra lightweight full size tripod with multi-positional carbon fiber legs for vibration free shooting
- Ultra-light 8 layer carbon fiber and aluminum tripod is perfect for photo, digital and video
- 3-position, 28mm independent leg adjustments
- Tripod and head have bubble levels for accurate leveling
- Adjustable metal snap leg locks
- Rubber feet add extra stability
- Quick lift 2-section, 28mm centerpost has wing lock control
- Center post hook allows for hanging accessories
- FZ10 3-way head with quick release
- Bonus: High-quality, padded carrying bag included

Specifications with Head/without head

Maximum Height: 63"/60"	Min. Height: 16"/13" Folded: 28"/25"
Centerpost Diameter & Height: 28mm, 10"	Leg Dia. & Sections: 28mm, 3-sections
FZ10 Quick Release: QRFZ10	Leg Lock Type: Snap lock
Capacity: 12 lbs.	Total Weight: 5 lbs./3 lbs.

ATPG

All Terrain Geared Pod without head

ATPG 18

All Terrain Geared Pod with FM 18 Head

- Versatile heavy duty video tripod and head built for all outdoor conditions or indoor use
- Weather-resistant aluminum and stainless steel construction
- 2-section self cleaning legs with freeze proof vice action leg locks for fast and easy setups
- Self-locking gear mechanism provides precise, silky smooth, "No-Drift" elevation adjustment
- Black Anodized finish
- Rectangular closed channel legs are designed to work easily in muddiest conditions
- Adjustable brace with lock allows for a variable footprint from 15" - 61" across
- Pivoting flat/pointed feet adjust to any terrain
- Easy grip foam cushioned insulated legs
- Removable 2-way fluid head with variable quick release



Tripod Specifications: with Head/without head

Maximum Height: 63"/58"	Min. Height: 24"/21", Folded: 32"/29"
Centerpost Diameter & Height 35mm 15.5"	Leg Diameter: 38 x19mm, 2-sections
FM18 Quick Release: QRFM18	Leg Lock Type: Vice action lock knob
Capacity: Tripod 35 lbs. Head: 18 lbs.	Total Weight: 8 lbs./5 lbs.

SBCBF12

Super Brace Tripod with V12 Head

- Extra wide stance with locking brace designed for super sturdy video production
- Perfect for all camcorders and telescopes
- Center brace with lock provides adjustable leg spread up to an ultra-stable 47-1/2"
- Reversible 1-3/8" x 20" lift-type center column for low angle work
- "Easy Grip" foam cushioned insulated legs
- V12 2-way fluid head with quick release insures satin-smooth pan and tilt action



Maximum Height: 61"	Minimum Height: 33.5" Folded: 32"
Centerpost Diameter & Height 35mm, 20"	Leg Diameter: 32mm, 2-sections
V12 Quick Release: QRV12	Leg Lock Type: Twist lock
Capacity: Tripod 12 lbs.	Total Weight: 6.5 lbs.

DPJRF12

Dollypod with V12 Head

DPJR18

Dollypod with FM 18 Head

- Quick set up wheeled tripod for all camcorders, format, SLRs and telescopes
- Self-locking 1-3/8" x 18" geared center column ensures maximum rigidity and "No-Drift" operation
- V12 (12 lb. capacity) or FM18 (18 lb. capacity) insures satin-smooth pan and tilt action
- Cross-bracing provides sharp, steady recording. No need to extend level or leg locks



Maximum Height: 66.75"	Minimum Height: 48.75" Folded: 49"
Centerpost Diameter & Height 35mm, 18.5"	Leg Diameter & Sections: 32mm, 1-section
V12 Quick Release: QRV12	FM18 Quick Release - QRFM18
V12 Capacity: 12 lbs. FM18 Capacity: 18 lbs.	Total Weight: 10 lbs. - V12; 12 lbs. - FM18

PROVISTA AIR 18

Provista Airlift with FM18 Head

- Dual-strut video design with pneumatic centerpost for “floating action effects” and high to low access; for field, studio, educational or industrial applications
- 3-section tripod, non-glare black anodized aluminum
- Double-strut top leg section for extra stability consists of two section, 3/4” diameter and one section 1-1/4” diameter tubing
- Pneumatic cylinder in center post provides smooth and easy floating action height adjustment



- Center brace with lock adds more stability
- Self-aligning metal snap leg locks offer fast set up
- Non-skid rubber feet grab any surface
- Bonus: High-quality, padded carrying bag included
- FM18 2-way fluid head with variable balance quick release
- Optional Accessory: W3 Dolly

Maximum Height: 71”	Minimum Height: 31” Folded: 34”
Centerpost Diameter & Height 35mm, 11”	Leg Diameter & Sections: 32mm, 3-section
FM18 Quick Release: QRFM18	Leg Lock Type: Snap lock
Capacity : 18 lbs.	Total Weight: 13 lbs.

PROVISTA7518B

Provista 7518 Tripod with Head

- Dual-strut video design with 75mm ball leveler for field, studio, educational or industrial applications
- Heavy duty double-strut 3-section tripod and fluid head
- 75mm claw ball leveler with 3/8”-16” stud prevents camera vibration
- Double-strut top leg section for extra stability consists of two section, 3/4” diameter and one section 1-1/4” diameter tubing
- Self-aligning metal snap leg locks offer fast set up
- Mid level spreader adds additional support
- Rubber feet grab any surface
- Non-glare black anodized finish
- FM18 2-way fluid head with variable balance quick release
- Bonus: High-quality, padded carrying bag plus extra quick release head plate included



Maximum Height: 64”	Minimum Height: 28” Folded: 29”
Ball Head Leveler: 75mm	Leg Diameter & Sections: 32mm, 3-section
FM18 Quick Release: QRFM18	Leg Lock Type: Snap lock
Capacity: 18 lbs.	Total Weight: 12 lbs.

PROVISTA 12

Provista Geared Tripod with V12 Head

PROVISTA 18

Provista Geared Tripod with FM18 Head

- Dual-strut video design with geared centerpost for high to low access for field, studio, educational or industrial applications
- 3-section tripod, non-glare black anodized aluminum finish
- Double-strut top leg section for extra stability consists of two section, 3/4" diameter and one section 1-1/4" diameter tubing
- Self-locking gear mechanism provides precise, silky smooth, "No-Drift" elevation adjustment
- Center brace with lock adds more stability
- Self-aligning metal snap leg locks offer fast set up
- Non-skid rubber feet grab any surface
- V12 (12 lb. capacity) or FM18 (18 lb. capacity) 2-way fluid heads with quick release
- Bonus: High-quality, padded carrying bag included



Shown with V12 Head

Maximum Height: 78"	Minimum Height: 31" Folded: 34"
Centerpost Diameter & Height: 35mm, 18.5"	Leg Diameter & Sections: 32mm, 3-sections
Quick Release: V12 - QRV12; FM18 - QRFM18	Leg Lock Type: Snap lock
V12 Capacity: 12 lbs. FM18 Capacity: 18 lbs.	Total Weight: 10 lbs.

PROVISTAGR18

Provista Grounder

- Pro Video tripod and head with multi-positional legs and 75mm ball leveler developed for rapid setup and breakdown
- 3-position independent leg adjustments for shooting down to the ground or up high
- 3-section, 32mm aluminum legs with quick snap leg locks for easy set up
- Easy grip foam cushioned insulated legs
- Non-glare black anodized finish
- FM18 2-way fluid head with variable balance quick release
- Bonus: High-quality, padded carrying bag included



Maximum Height: 64"	Minimum Height: 11.5" Folded: 28"
Ball Head Leveler: 75mm	Leg Diameter & Sections: 32mm, 3-sections
FM18 Quick Release: QRFM18	Leg Lock Type: Snap lock
Capacity: 18 lbs.	Total Weight: 6.9 lbs.

AA

Model A Spring Assist

- Perfect for long-roll portrait cameras, TV monitors, projection TVs, large format cameras, EFP/ENG cameras
- Spring-assisted 1-7/8" x 26-1/2" center post provides quick and easy "floating action"
- Safety latch automatically locks column in full down position
- Clamp-type leg locks are freeze resistant and side mounted for fast, easy set-up



AIRLIFT

Airlift Pneumatic

- Perfect for long-roll portrait cameras, TV monitors, projection TVs, large format cameras, EFP/ENG cameras
- Sealed pneumatic cylinder in 1-7/8" x 26-1/2" center post provides smooth and easy "floating action" height adjustment
- Safety latch automatically locks column in full down position
- Clamp-type leg locks are freeze resistant and side mounted for fast, easy set-up

Maximum Height: 54.5"	Minimum Height: 25.5" Folded: 28"
Centerpost Diameter & Height: 1 7/8", 26.5"	Leg Diameter: 2 1/4" x 1 1/4"
Leg Sections: 2	Leg Lock Type: Vice action lock knob
Capacity 50 lbs	Total Weight: 9 lbs

PSG

Pedestal Deluxe

- Geared heavy duty pedestal with wheels for video and studio cameras
- Heavy, broad steel base prevents tipping
- Quiet 4" deluxe wheels with ball bearings and positive step-on locking brake for both swivel and rolling action
- Center column is removable for transport



Maximum Height: 47.5"	Minimum Height: 31.5"
Folded Length: Not foldable	Base Diameter Footprint: 40.5"
Outer Column Diameter: 4"	Centerpost Dia. and Height: 1 7/8" x 16"
Capacity: 100 lbs.	Total Weight: 30 lbs.

PSGAIRLIFT 25

(25 lb. capacity)

PSGAIRLIFT 60

(60 lb. capacity)

Pedestal Deluxe Pneumatic

- Heavy broad steel base prevents tipping
- Quiet 4" deluxe wheels with ball bearings and positive step-on locking brake for both swivel and rolling action
- Removable 1-7/8" diameter x 15" tall center column for transport
- Pneumatic cylinder in center column provides smooth and "floating action" height adjustment
- 4 1/2" diameter removable platform with 3/8"-16 stud

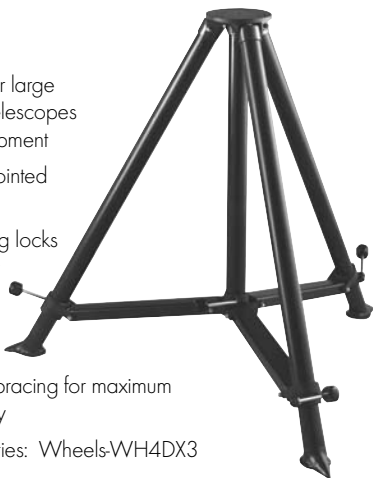


Maximum Height: 47.5"	Minimum Height: 31.5"
Folded Length: Not foldable	Base Diameter Footprint: 40.5"
Outer Column Diameter: 4"	Centerpost Diameter & Height: 1 7/8" x 15"
Capacity: 25 or 60 lbs.	Total Weight: 30 lbs.

FP

Folding Pier

- Heavy duty pier for large wedge-mounted telescopes and industrial equipment
- Convertible flat/pointed feet are included
- Large clamp-like leg locks are freeze resistant and easy to grip for fast and easy set up
- Rectangular cross-bracing for maximum strength and rigidity
- Optional Accessories: Wheels-WH4DX3



Maximum Height: 53.5"	Minimum Height: 28"
Folded Length: 26.5"	Leg Diameter & Sections: 2", 2 section
Platform Size: 9"	Leg Lock Type: Vice action lock knob
Capacity: 150 lbs.	Total Weight: 14 lbs.

MAXI605811

Maxi-60HD Tripod with Adapter

- Extra tall heavy-duty tripod for laser alignment and other equipment for outdoor or indoor use.
- Ideal for lighting equipment, speakers, photo/video equipment
- Self-locking worm-gear mechanism with folding crank provides smooth, "No Drift" height adjustment of any load
- Heavy-duty adjustable flat/pointed feet
- Clamp-type leg locks are freeze-resistant and side-mounted for fast, easy set up
- 70" footprint diameter
- Head Adapter with 5/8"-11 stud (BF4505811)



Maximum Height: 13' 6"	Minimum Height: 6'
Folded Length: 5' 10.5"	Leg Diameter & Sections: 2", 2 section
Centerpost Diameter & Height 1-7/8" x 18"	Leg Lock Type: Vice action lock knob
Capacity: 75 lbs.	Total Weight: 29 lbs.

MARK2

Mark II Tripod

- Heavy duty braced tripod for studio and field, educational and industrial, telecine applications
- Wide leg spread with adjustable locking center brace
- Self locking Geared Centerpost
- Mounts to any threaded head when combined with RD platforms



Maximum Height: 75"	Minimum Height: 35.5"
Folded Length: 34"	Leg Diameter & Sections: 1.5", 2 sections
Centerpost Diameter & Height 1-7/8" x 20"	Leg Lock Type: Twist Collet
Capacity: 50 lbs.	Total Weight: 11 lbs.

ETVGPF

Mark III Tripod

- Heavy duty braced tripod perfect for EFP/ENG cameras, large format cameras, TV monitors, projection TVs, teleprompters, cine cameras, laser alignment systems
- Self locking geared centerpost
- Mounts to any threaded head when combined with RD platforms
- Available with heavy-duty, adjustable flat/pointed feet



Maximum Height: 85"	Minimum Height: 41"
Folded Length: 42"	Leg Diameter & Sections: 2", 2 sections
Centerpost Diameter & Height 1-7/8" x 20"	Leg Lock Type: Vice action lock knob
Capacity: 75 lbs.	Total Weight: 21 lbs.

ST600

Astro 600 Tripod

- Perfect for wedge-mounted telescopes, astronomical instruments, celestial photography
- 6-1/2" diameter solid aluminum platform threaded for 3-hole (Celestron) and Center Hole (Meade) wedges
- Clamp-type leg locks are freeze-resistant and side mounted for fast and easy set-up
- Large rectangular 2-1/4" x 1-1/4" upper leg sections have cross-bracing for maximum strength with minimum weight



Maximum Height: 53.5"	Minimum Height: 32.5"
Folded Length: 37.5"	Leg Diameter: 2 1/4" x 1 1/4"
Leg Sections: 2 Platform Size: 6.5"	Leg Lock Type: Vice action lock knob
Capacity: 50 lbs.	Total Weight: 7 lbs.

MONOPODDUO

Monopod Duo with SwitchGrip® Ballhead

- Unique 3-in-one Monopod Mini Tripod Combo is ideal solution when a tripod is not practical
- Perfect for sporting events, camping, hiking and concerts
- Rubber/retractable spike bottom
- Ballhead attaches easily to standard cameras and equipment
- Mini ball head tripod (2.5lb capacity, 5.5" maximum height) for tabletop shooting is stored in SwitchGrip™ tripod handle
- Foam handle with strap for easy handling
- Camera Mounting Stud: 1/4"-20
- Carry bag



Maximum Height: 60"	Minimum Height: 21"
Folded Length: 28"	Leg Sections: 5
Diameter: 27mm	Leg Lock Type: Snap lock
Capacity: 7 lbs.	Total Weight: 1 lb.

TrekkerPro Monopod

- Heavy duty all aluminum monopod for digital, photo or video is an ideal solution when a tripod is not practical
- Quick-snap locks and rubber bottom
- Foam handle with strap for easy handling
- Camera Mounting Stud: 1/4"-20
- Carry bag



BHQ11
Accessory



BHQ8
Accessory

Maximum Height: 68"	Minimum Height: 21"
Folded Length: 21"	Leg Sections: 4
Post Diameter: 28mm	Leg Lock Type: Snap lock
Capacity: 12 lbs.	Total Weight: 1 lb.

Trailtrekker Monopod

- Dual-purpose walking stick/monopod with image stabilizing shock absorber for the outdoor enthusiast
- Built in shock absorber enhances stability when hiking and stabilizes shots
- Converts to monopod
- Solid hardwood handle unscrews to reveal standard camera/scope mount
- Titanium tip for hiking and non-mar rubber cap
- Carry bag



BHQ11
Accessory



BHQ8
Accessory

Maximum Height: 59"	Minimum Height: 31"
Folded Length: 32"	Leg Sections: 3
Diameter: 18mm	Leg Lock Type: Twist lock
Capacity: 7 lbs.	Total Weight: 1 lb.

SS3C

Compact Steady Stick

- Portable camera support for camcorders with 1/4"-20 tripod connection
- Multi-position handle offers added maneuverability when attached to either side of camera or used as shoulder rest



Maximum Height: 27"	Minimum Height: 19"
Folded Length: 19"	Diameter & Sections: 1", 2-section
Platform Size: 3-3/4" x 2"	Lock Type: Vice action lock knob
Capacity: 30 lbs.	Total Weight: 2 lbs.

Additional SS3C and SSPROS12 Features

- Perfect for professional TV fieldwork and videography
- Pan low or hold camera over the crowd
- Guide and control camera in any position or direction
- Belt-mounted support arm shifts camera weight from shoulder to torso
- Padded swivel belt holster and heavy-duty 2" belt included
- Supports cameras up to 30 lbs.
- Pan rotation: 360 degrees



SSPROS12

Pro Steady Stick

- Portable professional camera support for all cameras that require a tripod adapter plate
- Easily disconnect camera to attach to tripod
- New removable, adjustable handle system increases steadiness and maneuverability

Maximum Height: 27"	Minimum Height: 19"
Folded Length: 19"	Diameter & Sections: 1", 2 section
Platform Size: 3" x 4"	Lock Type: Vice action lock knob
Capacity: 30 lbs.	Total Weight: 3 lbs.

SSDLX

Provista Steady Stick

- Portable camera support for camcorders with 1/4"-20 tripod connection
- Variable control quick release attaches directly to any tripod with FM18 head
- Shock absorber increases shooting stability
- Belt-mounted support arm shifts camera weight from shoulder to torso
- Padded swivel belt holster and heavy-duty 2" belt included
- Handles offer added comfort and maneuverability
- Supports cameras up to 30 lbs.
- Pan rotation: 360°
- Tilt adjustment: 75° up, 75° down



Maximum Height: 27"	Minimum Height: 19"	Folded: 19"
Platform Size: 3-3/4 x 3"	Diameter & Sections: 29mm, 2 section	
Quick Release: QRFM18	Lock Type: Vice action lock knob	
Capacity: 30 lbs.	Total Weight: 3 lbs.	



VOYAGER3H with FZ10 Head
VOYAGERNH with no head
Voyager Tripod

- Ultra-light aluminum grounder tripod is perfect for photo, digital and video
- 3-position independent leg adjustments
- Tripod and head have bubble levels for accurate leveling
- Directional compass set in tripod base
- Adjustable 3-section snap leg locks
- Rubber feet add extra stability
- Quick lift 2-section 28mm centerpost has wing lock control for rapid adjustment and locking
- Bottom center post hook allows for hanging equipment or adding weight to increase stability
- 3-way pan & tilt aluminum FZ10 head
- Bonus: High-quality, padded carrying bag included

Tripod Specifications: with Head/without head

Maximum Height: 58"/55"	Min. Height: 11"/18" Folded: 21"/19"
Centerpost Diameter & Height: 28mm, 10"	Leg Diameter: 26.5 mm, 4-sections
FZ10 Quick Release: QRFZ10	Leg Lock Type: Snap lock
Capacity: 10 lbs.	Total Weight: 4.4 lbs./2.4 lbs.



BHQ11



BHQ8

TRAVLRV Traveler Tripod

- Perfect travel tripod for digital, video and still cameras weighing up to 4 pounds
- Ultra-light aluminum construction
- 3-way pan head with quick release and bubble level
- Quick release snap leg locks and geared centerpost for fast, sure operation
- Carry bag



Maximum Height: 53"	Minimum Height: 20" Folded: 21"
Centerpost Diameter & Height: 18mm, 11"	Leg Diameter & Sections: 20mm, 3-sections
Quick Release: QRTRAVLRV	Leg Lock Type: Snap lock
Capacity: 4 lbs.	Total Weight: 2 lbs.

EXPLORERV Explorer Tripod

- Perfect mid-size lightweight tripod for digital, video and still cameras weighing up to 4 pounds
- 25mm diameter aluminum 3-section legs.
- 1" aluminum alloy channel
- Quick release leg locks
- Leg support brace with lock
- 3-way fluid head, 2-way tilt plus pan, quick release plate and bubble level on base.
- 11" geared centerpost with carry hook
- Carry handle
- Non slip adjustable rubber feet
- Carry bag



Maximum Height: 60"	Minimum Height: 22" Folded: 23"
Centerpost Diameter & Height: 20mm, 11"	Leg Diameter & Sections: 25mm, 3-sections
Quick Release: QRPEV	Leg Lock Type: Snap lock
Capacity: 4 lbs.	Total Weight: 3 lbs.

RANGERV Ranger Tripod

- Full size lightweight tripod perfect for digital, video and still cameras up to 6 pounds
- 29mm diameter aluminum 3-section legs
- 1" aluminum alloy channel
- Quick release leg locks
- Leg support brace with lock
- 3-way fluid head, 2-way tilt plus pan, quick release plate and bubble level on base
- 1" geared centerpost with carry hook
- Carry handle
- Non slip adjustable rubber feet
- Titanium finish
- Carry bag



Maximum Height: 66"	Minimum Height: 25" Folded: 26"
Centerpost Diameter & Height: 20mm, 11"	Leg Diameter & Sections: 29mm, 3-sections
Quick Release: QRPRV	Leg Lock Type: Snap lock
Capacity: 6 lbs.	Total Weight: 3.5 lbs.

TRAILBLAZRV Trailblazer Monopod

- Lightweight compact monopod is ideal solution when a tripod is not practical
- Rubber/retractable spike bottom
- Foam handle with strap for easy handling
- Camera Mounting Stud: 1/4"-20
- Carry bag



Maximum Height: 68"	Minimum Height: 21"
Folded length: 21"	Monopod Sections: 4
Post Diameter: 26.5mm	Leg Lock Type: Snap lock
Capacity: 7 lbs.	Total Weight: 1 lb.

SWITCHKIT®

Digital Tripod Accessory Kit

- 4 piece, "7 in 1" kit maximizes use of your digital camera or camcorder
- Carry and protect your tripod, camera and accessories with one bag. Camera/ Tripod Bag can be switched to camera bag by tucking tripod bag behind hook and loop flap
- Lightweight aluminum Pixel™ tripod has maximum shooting height of 50" when shooting with 3-way pan head or 56" when used with included SwitchGrip® accessory
- Camera bag fits small camcorders or digital cameras
- Mini ball head tripod (2.5lb. capacity, 5.5" maximum height) for tabletop shooting is stored in SwitchGrip® tripod handle
- Patented SwitchGrip® extends tripod height by 6 inches and allows use of either ball head or pan head for shooting
- SwitchGrip® can be set for those hard angles that only a copy stand can reach
- SwitchGrip® and tripod together give option to shoot with 2 cameras, or other multiple devices
- SwitchGrip™ Patent #2,921,587



Pixel Tripod Specifications

Maximum Height: 56"	Minimum Height: 16" Folded: 16.5"
Quick Release: QRPIXEL	Leg Diameter & Sections: 17mm, 4-sections
Centerpost Diameter & Height: 16 mm, 9"	Leg Lock Type: Snap lock
Camera Bag Size: 8" L x 3" W x 4.5" H	Total Weight: 2.3 lbs. Capacity: 3 lbs.

MINITRAVELER

Mini Traveler Tripod

- Pocket size tripod extends to full size tripod in seconds
- Versatile enough to be used for tabletop or full size uses
- 8-section legs quickly extend from body and solidly lock with half a turn
- Ball head with handle provides smooth precision shots



Maximum Height: 39.5"	Minimum Height: 10.5"
Folded: 10.75"	Leg Diameter & Sections: 15mm, 8-sections
Camera Mounting Stud: Permanently attached	Leg Lock Type: Quick turn
Capacity: 2.5 lbs.	Total Weight: 1 lb.

MINIPOD3

Table Tripod

- Pocket size tripod ideal for close-up work, tabletop shooting, hiking, etc.
- All metal construction for extra strength
- Metal swivel ball head with lock knob for smooth precision shots



Maximum Height: 11"	Minimum Height: 5.75"
Folded length: 6"	Leg Diameter: 10mm
Leg Sections: 3-sections	Leg Lock Type: Self lock
Capacity: 2.5 lbs.	Total Weight: 6 oz.

TBLTOPPRO

Table Top Pro

- Mini tripod with features of full size models ideal for close-up work, tabletop shooting, hiking, etc.
- Quick snap locks and rubber feet
- Suction cup holds tripod to any surface
- 3-way friction head with quick release, bubble level and tripod bag



Maximum Height: 9"	Minimum Height: 7"
Folded: 8"	Leg Diameter & Sections: 20mm, 2-sections
Centerpost Diameter & Height: 19mm, 2.5"	Leg Lock Type: Snap lock
Capacity: 2.5 lbs.	Total Weight: 1 lb.

ATTARAS3H

Attaras Tripod

- Ultra-light aluminum grounder tripod is perfect for photo, digital and video
- 3-position, 26.5mm independent leg adjustments
- Tripod and head have bubble levels for accurate leveling
- Directional compass set in tripod base
- Adjustable 3-section snap leg locks
- Rubber feet add extra stability
- Quick lift 2-section centerpost has wing lock control for rapid adjustment and locking
- Bottom center post hook allows for hanging equipment or adding weight to increase stability
- 3-way pan & tilt aluminum FZ10 head
- Bonus: High-quality, padded carrying bag included

Maximum Height: 63"	Minimum Height: 11" Folded: 27"
Centerpost Diameter & Height: 28mm, 12"	Leg Diameters: 26.5 mm, 3-sections
FZ10 Quick Release: QRFZ10	Leg Lock Type: Snap lock
Capacity: 9 lbs.	Total Weight: 4.6 lbs.



FX10

3-Way Fluid Photo/Video Head

- Ideal for DSLR cameras, camcorders and scopes weighing up to 12 lbs.
- 3-way pan head: 90° tilt down, 75° tilt up, 90° tilt left, 360° pan
- Quick release with auto closure provides easy mounting
- Dual handles for easy setups
- Bubble level provides accurate leveling
- Calibrated base for pinpoint positioning
- Maximum Load: 12 lbs.
- Height: 4"



SH200

Pro 200 Photo Head

- Designed for large format cameras
- Sliding camera screw (1/4"-20) for optimum camera mounting position
- Maximum Load: 35 lbs.
- Fits Center Posts: 1-7/8" diameter
- Tilt Adjustment: 15° up, 90° down
- Pan Rotation: 360°
- Platform Size: 8-3/4 L x 7-1/8" W
- Weight: 2 lbs. 12 oz.



SH200S

Pro 200S Photo Head

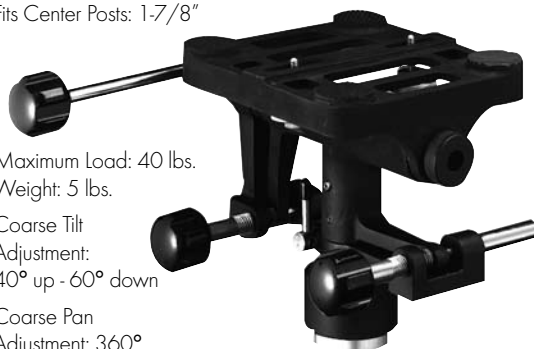
- Designed for 4 x 5" and medium format cameras
- Sliding camera screw (1/4"-20)
- Maximum Load: 35 lbs.
- Fits Center Posts: 1-7/8" or 1-3/8" diameter
- Tilt Adjustment: 15° up, 90° down
- Pan Rotation: 360°
- Platform Size: 6 L x 3-1/2" W
- Weight: 2 lbs. 12 oz.



V2

Vernier Head

- Precision Vernier adjustment of pan and tilt action for cameras, telescopes and binoculars
- Normal (course) pan and tilt action operates and locks as most heads. Then, for precision, separate Vernier knobs provide adjustment (+/- 7 degree) of pan and tilt
- Sliding camera screws (1/4"-20 and 3/8"-16) for optimum camera mounting position
- Platform Size: 6-1/4L x 6-1/2"W
Fits Center Posts: 1-7/8"
- Maximum Load: 40 lbs.
Weight: 5 lbs.
- Coarse Tilt Adjustment: 40° up - 60° down
- Coarse Pan Adjustment: 360°



BHQ8

Standard Ball Head with Quick Release

- Perfect for cameras weighing up to 7 pounds
- Single control knob for easy ultra smooth all position ball rotation
- Base has standard 3/8-16" threaded opening
- Quick release plate with non-skid cork mat
- Head tilt adjustment: 90° up / 90° down
- Quick release safety lock
- Bubble level
- All metal construction
- Platform dimensions 1.35" x 1.5"
- Height: 3.5"
- Weight: 8 oz



BHQ11

Medium Ball Head with Quick Release

- Perfect for cameras weighing up to 11 pounds
- Separate easy grip control knobs for head lock, fluid dampening drag, and pan lock
- Ultra smooth all position ball rotation
- Base has standard 3/8-16" threaded opening
- Quick release plate with non skid rubber mat with adjustable camera screw
- Quick release safety lock
- Calibrated base
- All metal construction
- Platform dimensions 1.75" x 2"
- Height: 3.75"
- Weight: 14 oz



V12

V12 Fluid Head

- Two-way fluid panhead with ultra smooth movement
- Separate calibrations/locks for pan and tilt
- Separate tension controls
- 3/8"-16 head adapter
- Quick release plate with video pin
- Adjustable handle
- Maximum Load: 12 lbs.
- Tilt Adjustment: 90° up, 90° down
- Pan Rotation: 360°
- Platform Size: 2 x 3"
- Height: 4"
- Weight: 1 lb. 14 oz.



FM18

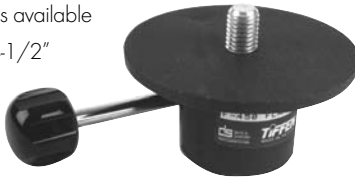
FM18 Fluid Head

- Fluid head with 18 lb. capacity ensures smooth operation
- Sliding quick release plate system affords variable balance control
- 2 adjustable removable pan handles for easy maneuverability
- Independent tilt & pan adjustment/locks deliver effortless control
- Bubble level for easy leveling
- Head tilt adjustment: 90° up / 90° down
- Platform size: 3.75" X 3.25"
- 360° pan
- Height: 6"
- Weight: 4 lbs.



BF4505811 Flange (5/8"-11 Stud)

- Specifically designed for laser alignment systems
- Has standard laser hole pattern of four 1/4"-20 holes around perimeter
- Adjustable stud included: 5/8" - 11
- Special hole patterns available
- Platform Diameter: 4-1/2"
- Maximum load: 50 lbs.
- Weight: 1 lb.



RD238 Platform (3/8-16 stud)

RD2 Platform (1/4"-20 stud)

- For models A, Mark II, ETVG, PSG, Maximumi-60HD and Maximumi-75PF
- Allows quick and easy head attachment and removal
- 1/4" - 20 Stud length is adjustable
- Platform Diameter: 3-1/4"
- Maximum Load: 100 lbs.
- Fits Center Posts: 1-7/8" diameter
- Other screw sizes available
- Weight: 1 lb.



SwitchGrip® SwitchGrip® Handle with Minipod

- SwitchGrip handle conceals Mini Ballhead Tripod
- Removable hidden 2-section Mini-Tripod for table-top capability
- Switch from 3-way pan head to full action ballhead to add shooting possibilities
- Copy stand feature provides close-range copying and photography options
- Dual heads provide multiple camera shooting options on same tripod
- Fits Davis & Sanford CourierXTT, MagnumX3T
- Handle height: 8"
Mini Tripod height: 7.5"
- Mini Tripod folded length: 5"
- Weight:
SwitchGrip with Minitripod: 8 oz
Mini Tripod: 4oz.



W3 Universal Folding Dolly

- Universal folding/adjustable dolly fits any tripod
- Easily attached and removed. Folds with carry handle for compact transport
- 3" ball bearing rubber/metal wheels with step on brake that locks/unlocks rolling and swivel movement



- Maximum load: 35 lbs.
- Folds to: 24" X 7"
- Circle diameter: 31"

W4 Folding Dolly

- Universal dolly will fit most tripods
- Can be easily attached and removed; dolly folds for compact transport
- Super heavy-duty deluxe wheels with wide tread and step-on brake that locks/unlocks rolling and swivel movement
- Maximum load: 80 lbs.
- Folded dimensions: 13 x 22"
- Adjustable circle diameter up to 41 inches
- Weight: 10 lbs.



BC Ball Casters

- For models A, Airlift
- Easy to install and remove
- Least expensive and lightest way to get mobility over smooth surfaces
- Maximum Load: 30 lbs.
- Ball Diameter: 1-1/4"
- Weight: 12 oz. each



WH4DX3 4" Deluxe Wheel Set

- For Maxi 60HD and 75PF, FP and ETVGPF Tripods
- Step-on brake locks/unlocks rolling and swivel action
- Maximum load: 75 lbs.
- Wheel diameter: 4"
- Weight: 2 lbs each
- Supplied in sets of three



DSF10A Display Stand

- Perfect for camera display and special mounting applications
- Quick-change camera screw (1/4"-20 threaded) to easily mount and dismount camera
- Tamper-proof conversion available
- F10 fluid head for smooth pan/tilt action; also prevents camera from "dumping"
- Base flange is 4-hole drilled
- Platform size: 2" x 2-1/2" W
- Maximum load: 10 lbs.
- Adjustable post height/diameter: 8-1/2" - 13-1/2"
- Mounting base: 2-5/8 x 2-5/8"
- Weight: 3 lbs.



WB8

Wall and Ceiling Mount

- Perfect for photo/video/surveillance
- Quick-change camera screw can quickly convert to a tamper-proof unit
- Pan and tilt actions can be separately locked
- Wall or ceiling mounted
- Platform size: 2-1/2 L x 2" W
- Maximum load: 10 lbs.
- Height: 5"
- Weight: 3 lbs.



TRIBAG

Padded Tripod Carry Bag

- Black woven material
- Inside padding with lining
- 35" long x 7" diameter
- Carry strap



QUICK RELEASES

For Davis and Sanford Tripod Heads

- QC** For RTH1, RTH2, and F-10 - looks like brass hourglass
- QC5** 5-pack QC
- QRFM18** Quick Release Plate for FM18 head
- QRFX10** For FX10
- QRPL** For Traveler, Vista Traveler & Explorer with blue & black Davis & Sanford logo
- QRPER** For Explorer and Ranger with white logo on head
- QRPEV** for Vista Explorer
- QRPR** For Explorer 2 and Ranger purchased after 1/2005
- QRPRE** For Explorer and Ranger with all black logo in bubble on tripod head
- QRPRV** For Vista Ranger
- QRV12** For V12
- QRTRAVLRV** For Vista TravelerV
- CS** H4, SH200, SH200S, V2
2 piece camera screw and disc
- 300-PLT** For MagnumXT MAGNUMX3T, CourierXTT with FGX10 head
- QRFX10** For all FX10 heads
- QRFZ10** For all FZ10 heads

Model	Canon/Log Number	Usage	Leg Diameter & sections	Leg Lock Type	Centerpost	Head Type	Quick Release	Bubble Level	Max. Load	Total Weight	Max. Height	Min. Height	Length Folded	Additional Features
Davis & Sanford Tripods – Professional Multi-Purpose														
CoronetXT	COUREXTT	digital, photo video	36mm 3-section with leg brace	snap lock	14" geared	3-way fluid	yes	on head & tripod	9 lbs	5 lbs	67"	26"	27"	10 yr. Warranty tripod bag
MagnumXT	MAGNUMXT	digital, photo video	32mm 3-section	flip lock	15" reversible lift type	3-way fluid	yes	on head & tripod	9 lbs	6.6 lbs	69"	25"	26"	10 yr. Warranty tripod bag
MagnumGR	MAGNUMGR	digital, photo	3-section 32mm leg	snap lock	14" lift type	3-way fluid	yes	on head & tripod	12 lbs	6.9 lbs	70"	11.5"	28"	10 yr. Warranty tripod bag
All Terrain Pod	ATPX10	digital, photo video	38x19mm, 2-section with leg brace	wire action	18" lift type	3-way fluid	yes	on head & tripod	12 lb head	7 lbs	61"	23"	31"	10 yr. Warranty tripod bag
Carbon Fiber														
CarbonLiteX10	CARBONLITEX10	digital, photo video	3-section 28mm leg	snap lock	2-section 10" lift type	3-way fluid	yes	on head & tripod	12 lbs	5 lbs	63"	16"	28"	10 yr. Warranty tripod bag
Carbonlite Transporter	CARBONLITEZ10	digital, photo	3-section 24mm leg	snap lock	2-section 10" lift type	3-way fluid	yes	on head & tripod	11 lbs	4 lbs	57"	11"	24.5"	10 yr. Warranty tripod bag
Heavy Duty Video														
All Terrain Pod Geared	ATPG18	video	38x19mm, 2-section with leg brace	wire action	15.5" geared	2-way fluid	yes	on head & tripod	18 lbs	8 lbs	63"	24"	32"	10 yr. Warranty
SuperBraceT2	SBCTF2	video	32mm, 2-section with leg brace	twist lock	20" reversible lift type	2-way fluid	yes	on tripod	12 lbs	6.5 lbs	61"	33.5"	32"	10 yr. Warranty
DollypodT2	DPRTF2	video	32mm, 1-sect. w/leg brace	none	18.5" geared	2-way fluid	yes	none	12 lbs	10 lbs	66.75"	48.75"	47"	10 yr. Warranty
DollypodT8	DPRT8	video	32mm, 1-sect. w/leg brace	none	18.5" geared	2-way fluid	yes	on head	18 lbs.	12 lbs	66.75"	48.75"	47"	10 yr. Warranty
Provista Series														
ProvistaT2	PROMVSTIAT2	video	32mm double strut 3-section with leg brace	snap lock	18.5" geared	2-way fluid	yes	on tripod and tripod	12 lbs	9 lbs	78"	31"	34"	10 yr. Warranty tripod bag
ProvistaT8	PROMVSTIAT8	video	32mm double strut 3-section with leg brace	snap lock	18.5" geared	2-way fluid	yes	on tripod and tripod	18 lbs	10 lbs	78"	31"	34"	10 yr. Warranty tripod bag
Provista AirTilt	PROMVSTIAIRT8	video	32mm double strut 3-section with leg brace	snap lock	11" pneumatic	2-way fluid	yes	on tripod and tripod	12 lbs	13 lbs	71"	31"	34"	10 yr. Warranty tripod bag
ProvistaT518	PROMVSTIA/5188	video	32mm double strut 3-section with leg brace	snap lock	75mm ball	2-way fluid	yes	on head and tripod	18 lbs	12 lbs	64"	28"	29"	10 yr. Warranty tripod bag & 2nd Quick release
Provista Grounder	PROMVSTIAGR18	video	32mm double strut 3-section	snap lock	75mm ball	2-way fluid	yes	on head and tripod	18 lbs	6.9 lbs	64"	11.5"	28"	10 yr. Warranty tripod bag & 2nd Quick release
Heavy Duty Multi Purpose														
Pedestal AirTilt 25/60	PSG-AirTilt 25/60	video, industrial	-	none	15" pneumatic	optional	head optional	no	25-60 lbs	30 lbs	47.5"	31.5	-	10 yr. Warranty
Pedestal Deluxe, Geared	PSG	video, industrial	-	none	18.5" geared	optional	head optional	no	100 lbs	30 lbs	47.5"	31.5	-	10 yr. Warranty
Folding Pier	PF	telescopes, industrial	50.8mm 2-section with leg brace	knob	none	optional	head optional	no	150 lbs	14 lbs	53.5"	28"	26.5"	10 yr. Warranty
MarkZ	MARKZ	video, industrial	38mm 2-section with leg brace	knob	18.5" geared	optional	head optional	no	50 lbs	11 lbs	75"	35.5"	34"	10 yr. Warranty
Mark3	ETVGF3	video industrial	50.8mm 2-section with leg brace	knob	18.5" geared	optional	head optional	no	75 lbs	21 lbs	85"	41"	42"	10 yr. Warranty

Model	Category Number	Usage	Leg Diameter & sections	Leg Lock Type	Centerpost	Head Type	Quick Release	Bubble Level	Max. Load	Total Weight	Max. Height	Min. Height	Length Folded	Additional Features	
Heavy Duty Multi Purpose															
AirLift	AIRLIFT	digital, photo video	2 1/4 x 1 1/4, 2-section with leg brace	knob	26.5" pneumatic	optional	Head optional	no	25 lbs	9 lbs	54.5"	25.5"	28"	10 yr. Warranty	
Prolift A	AA	photo, video, industrial	2 1/4 x 1 1/4, 2-section with leg brace	knob	26.5" mm spring assisted	optional	Head optional	no	50 lbs	8.9 lbs	54.5"	25.5"	28"	10 yr. Warranty	
Astro 600	ST600	telescopes, industrial	2 1/4 x 1 1/4, 2-section with leg brace	knob	none	optional	Head optional	no	50 lbs	7 lbs	53.5"	32.5"	37.5"	10 yr. Warranty	
Maxi	MAXI60PFD	industrial	2", 2-section	knob	18" geared	optional	Head optional	no	75 lbs	29 lbs	13.5"	6'	5.9"	10 yr. Warranty	
Video Support															
Provista Steady Stick	SSDX	video	-	-	none	-	yes	no	30 lbs	3 lbs	27"	19"	19"	10 yr. Warranty	
Steady Stick Compact	SSSC	video	-	-	none	-	no	no	30 lbs	2 lbs	27"	19"	19"	10 yr. Warranty	
Steady Stick Pro	SSPROS2	video	-	-	none	-	no	no	30 lbs	3 lbs	27"	19"	19"	10 yr. Warranty	
Monopods															
Trial Trekker	TRAILTREKER	walking stick monopod	18mm 3-section	twist lock	-	optional	-	no	7 lbs	1 lb	59"	31"	32"	10 yr. Warranty	
Trekker Pro	TREKPERPO	all metal monopod	28mm 4-section	snap lock	-	optional	-	no	12 lbs	1 lb	68"	21"	-	10 yr. Warranty	
Monopod Duo	MONOPODDUO	digital, photo video	27mm 5-section	snap lock	none	MiniPod-ball head	no	no	Monopod-7 lbs MiniPod-2.5 lbs	Monopod-1 lb MiniPod-.5 lbs Kit Wt. 2 lbs	Monopod-.60" MiniPod-.8.25"	Monopod-.21" MiniPod-.65"	Monopod-.21" MiniPod-.65"	10 yr. Warranty SwitchTrip tripod & ball head in handle	
VISTA Tripods - Lightweight															
Traveler	TRAVLRY	digital, photo video	20mm 3-section with leg brace	snap lock	11" geared	3-way	yes	on head	4 lbs	2 lbs	53"	20"	21"	10 yr. Warranty Tripod bag	
Explorer	EXPLORERY	digital, photo video	25mm 3-section with leg brace	snap lock	11" geared	3-way	yes	on head & tripod	4 lbs	3 lbs	60"	22"	23"	10 yr. Warranty Tripod bag	
Ranger	RANGERY	digital, photo video	29mm 3-section with leg brace	snap lock	11" geared	3-way	yes	on head & tripod	6 lbs	3.5 lbs	66"	25"	26"	10 yr. Warranty Tripod bag	
Voyager	VOYAGERH	digital, photo video	26.5mm 4-section with leg brace	snap lock	10" 2-section	3-way	yes	on head & tripod	10 lbs	4.4 lbs	58"	11"	21"	10 yr. Warranty Tripod bag compass	
Amaros	ATARASHH	digital, photo video	3-position, 3-section 26.5mm leg	snap lock with leg brace	12" 2-section	3-way	yes	on head & tripod	9 lbs	4.6 lbs	63"	11"	27"	10 yr. Warranty Carry bag	
SwitchKit	SwitchKit	digital, photo video	3-section, leg brace Mini tripod 1-section	Flex tripod Flex tripod snap lock MiniPod self lock	Flex tripod 9.5" geared MiniPod - none	Flex tripod 3-way head MiniPod -ball head	Flex tripod - yes MiniPod - no	Flex tripod on head MiniPod - no	Flex tripod 3 lbs MiniPod 2.5 lbs	Flex tripod-2 lbs MiniPod-.5 lbs Kit Wt. 3 lbs	Flex tripod-.56" MiniPod-.55"	Flex tripod-1.6" MiniPod-.55"	Flex tripod-.21" MiniPod-.6"	10 yr. Warranty SwitchKit camera/Tripod bag SwitchKit Handle	
Monopods															
Trialblazer Monopod	TRIALBLAZR	digital, photo video	26mm 4-section	snap lock	none	no	no	no	7 lbs	1 lb	68"	21"	21"	10 yr. Warranty Carry bag	
Tabletop															
Mini Traveler	MINITRANER	digital, photo video	15mm 8-section	quick turn	none	ball	no	no	2.5 lbs	1 lb.	39.5"	10.5"	10.75"	10 yr. Warranty Carry bag	
Tabletop Pro	TBLTOPPRO	digital, photo video	20mm 2-section	snap lock	2" lift type	3-way	yes	on head	2.5 lbs	1 lb	9"	7"	8"	10 yr. Warranty	
MiniPods	MINIPOD3	digital, photo video	10mm 3-section	self lock	none	all-way ball	no	no	2.5 lbs	6 oz	11"	5.75"	5.25"	10 yr. Warranty	



*Helping Create the
World's Greatest Images*

The Tiffen Company, 90 Oser Avenue, Hauppauge, NY 11788
631-273-2500 • 1-800-645-2522 • www.tiffen.com

Tiffen Europe Ltd. Enterprise House, Weston Business Park, Weston on the Green, Oxon OX25 3SX
Phone: +44 (0) 1869 343 835 · Fax: +44 (0) 1869 343 836 · www.tiffen-europe.com

BTRIP0D09

0209

Download from Www.Somanuals.com. All Manuals Search And Download.

Free Manuals Download Website

<http://myh66.com>

<http://usermanuals.us>

<http://www.somanuals.com>

<http://www.4manuals.cc>

<http://www.manual-lib.com>

<http://www.404manual.com>

<http://www.luxmanual.com>

<http://aubethermostatmanual.com>

Golf course search by state

<http://golfingnear.com>

Email search by domain

<http://emailbydomain.com>

Auto manuals search

<http://auto.somanuals.com>

TV manuals search

<http://tv.somanuals.com>