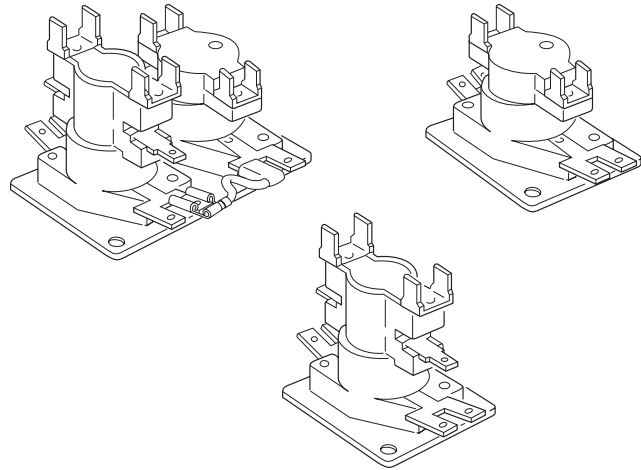


FAILURE TO READ AND FOLLOW ALL INSTRUCTIONS CAREFULLY BEFORE INSTALLING OR OPERATING THIS CONTROL COULD CAUSE PERSONAL INJURY AND/OR PROPERTY DAMAGE.

DESCRIPTION

The 24A34 Series Fan/Heat Sequencer gives the service technician a direct replacement for sequencing both fan and heat. The terminal markings on the 24A34 sequencers are equivalent to most other manufacturers' types.

These sequencers may be wired in series, as shown in wiring diagrams, to allow sequencing of one through seven element furnaces.



⚠ CAUTION

To prevent electrical shock and/or equipment damage, disconnect electric power to system, at main fuse or circuit breaker box, until installation is complete.

Do not use on circuits exceeding specified voltage. Higher voltage will damage control and could cause shock or fire hazard.

SPECIFICATIONS

Electrical Ratings - Single Load Contact Ratings (All Models)

VAC	Resistive (Non-Inductive)		Motor Ratings (Inductive)		Pilot Duty
	Watts	Amps	Full Load	Locked Rotor	
120	3000	25.0	14.0A	72.0A	125 VA
240	6000	25.0	7.0A	42.0A	125 VA
480	6000	12.5	–	–	480 VA

Electrical Ratings - Single Load Contact Ratings (All Models)

Model Number	Timings	Switches	Timings – ON					Timings – OFF				
			M1-M2	M3-M4	M5-M6	M7-M8	M9-M10	M1-M2	M3-M4	M5-M6	M7-M8	M9-M10
24A34-1	1	1	1-20	–	–	–	–	40-110	–	–	–	–
24A34-2	1	1	–	–	30-90	–	–	–	–	1-30	–	–
24A34-3 ①	1	2	1-20	◆ 1-20	–	–	–	40-110	◆ 40-110	–	–	–
24A34-4	1	2	–	–	30-90	◆ 30-90	–	–	–	1-30	◆ 1-30	–
24A34-5 ①	2	3	1-110	◆ 1-110	1-110	–	–	1-110	◆ 1-110	1-110	–	–
24A34-6 ①	2	4	1-110	◆ 1-110	1-110	◆ 1-110	–	1-110	◆ 1-110	1-110	◆ 1-110	–
24A34-14 ①②	4	5	1-160	◆ 1-160	1-160	◆ 1-160	1-160	1-160	◆ 1-160	1-160	◆ 1-160	1-160
24A34-15	1	1	1-60	–	–	–	–	75-95	–	–	–	–

TABLE NOTES:

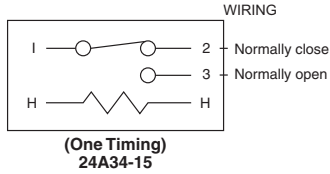
① M1-M2 and M3-M4 are always first switches to turn ON and last to turn OFF. All other switches are random ON and random OFF

② 24A34-14 Switch contacts designated F₁ - F₂ instead of M₁ - M₂

◆ These contacts switch simultaneously

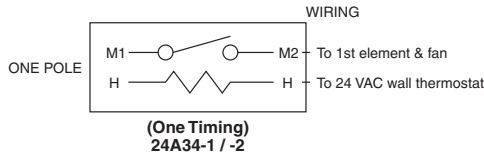
NOTE: Underwriters Laboratories requires a fan interlock circuit to insure the blower remains operating whenever more than one sequencer is used. The fan interlock should be the M₁ / M₂ contacts of the second or third sequencer. All M₁ / M₂ contacts are wired to the blower motor so that any sequencer that is energized will keep the blower ON.

FAN DELAY OFF

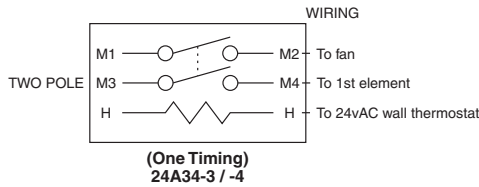


FOR ONE ELEMENT FURNACES

COMBINATION Fan and Heater Loads

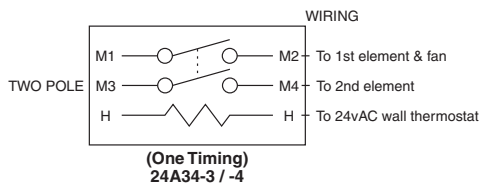


SEPARATE Fan and Heater Loads

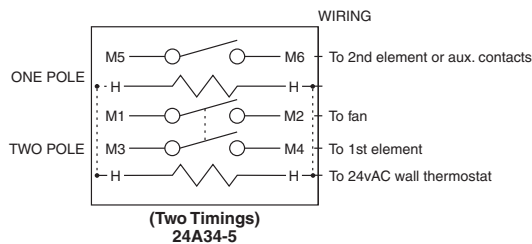


FOR TWO ELEMENT FURNACES

COMBINATION Fan and Heater Loads



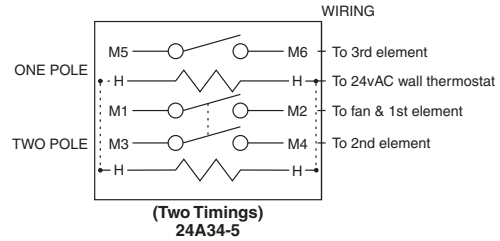
SEPARATE Fan and Heater Loads



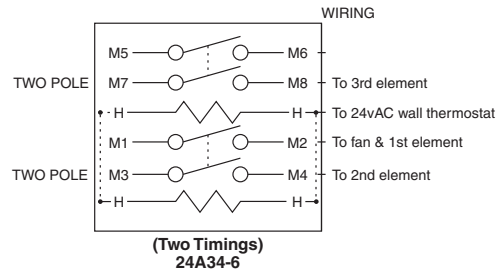
..... DOTTED LINE BETWEEN "H" TERMINAL IS A FACTORY-INSTALLED JUMPER

FOR THREE ELEMENT FURNACES WITH COMBINATION FAN & HEATER LOADS

SINGLE-STAGE Room Thermostat

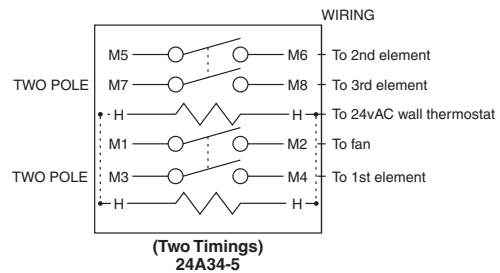


TWO-STAGE Room Thermostat Option

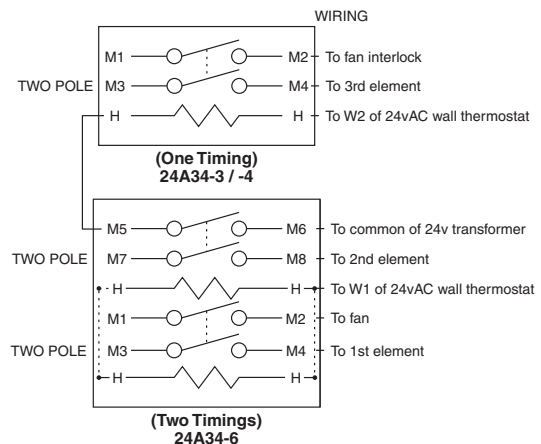


FOR THREE ELEMENT FURNACES WITH SEPARATE FAN & HEATER LOADS

SINGLE-STAGE Room Thermostat



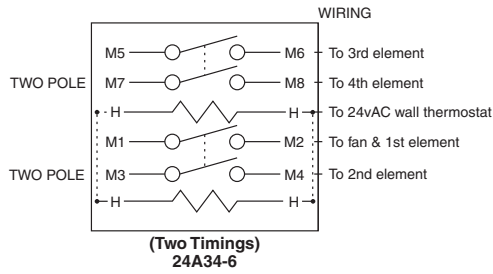
TWO-STAGE Room Thermostat Option



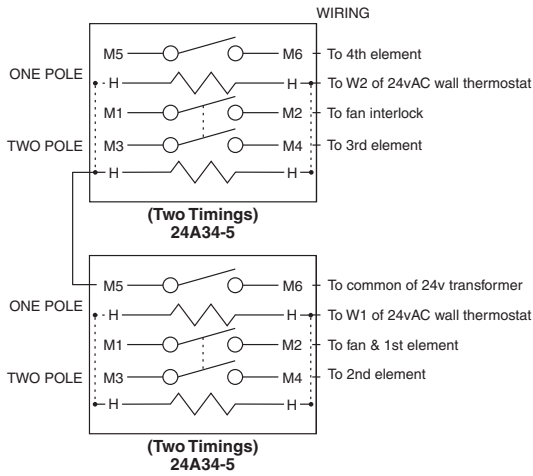
FOR FOUR ELEMENT FURNACES

COMBINATION Fan and Heater Loads

SINGLE-STAGE Room Thermostat

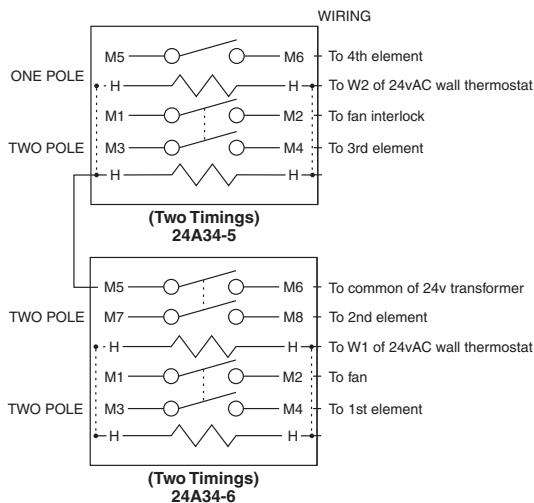


TWO-STAGE Room Thermostat Option after 2nd Element



SEPARATE Fan and Heater Loads

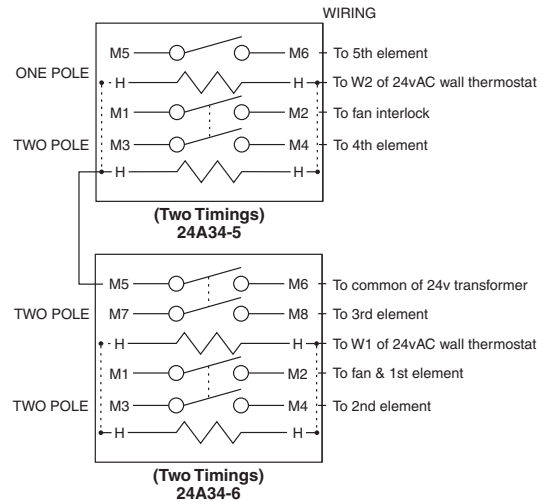
TWO-STAGE Room Thermostat Option after 2nd Element



FOR FIVE ELEMENT FURNACES

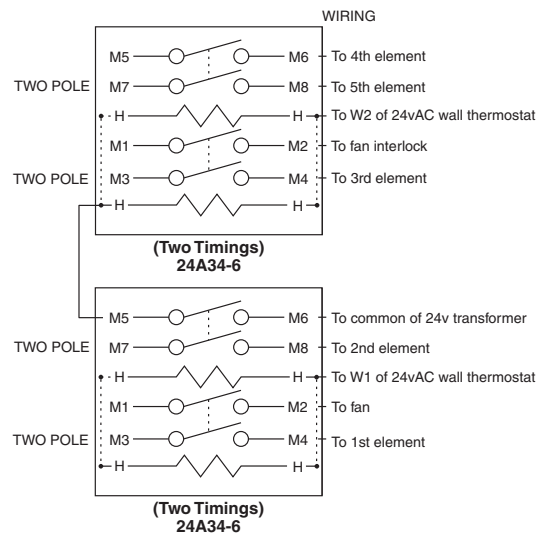
COMBINATION Fan and Heater Loads

TWO-STAGE Room Thermostat Option After 3rd Element



SEPARATE Fan and Heater Loads

TWO-STAGE Room Thermostat Option After 2nd Element

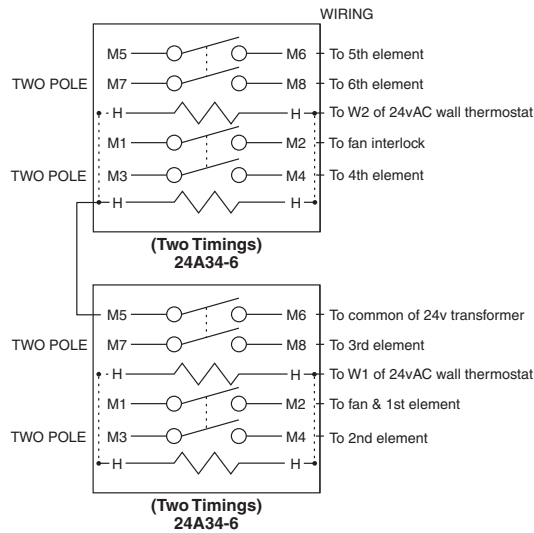


..... DOTTED LINE BETWEEN "H" TERMINAL IS A FACTORY-INSTALLED JUMPER

FOR SIX ELEMENT FURNACES

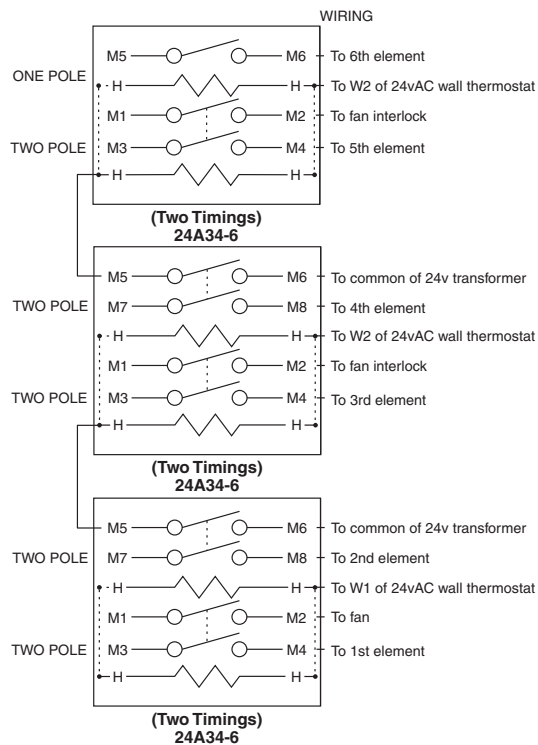
COMBINATION Fan and Heater Loads

TWO-STAGE Room Thermostat Option After 3rd Element



SEPARATE Fan and Heater Loads

TWO-STAGE Room Thermostat Option After 2nd or 4th Element

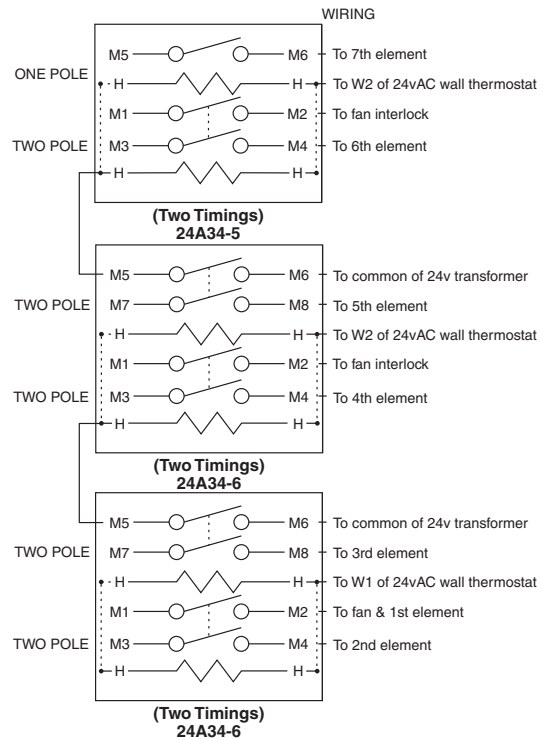


..... DOTTED LINE BETWEEN "H" TERMINAL IS A FACTORY-INSTALLED JUMPER

FOR SEVEN ELEMENT FURNACES

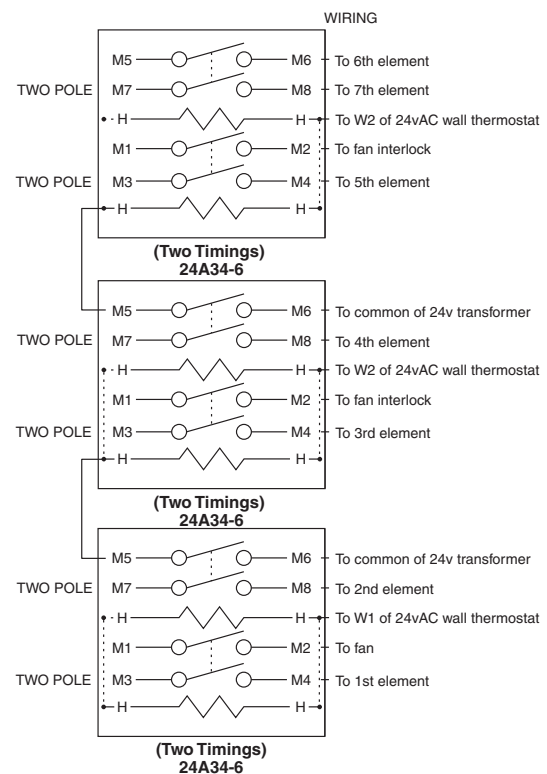
COMBINATION Fan and Heater Loads

TWO-STAGE Room Thermostat Option After 3rd or 5th Element



SEPARATE Fan and Heater Loads

TWO-STAGE Room Thermostat Option After 3rd or 5th Element



White
Rodgers™

White-Rodgers is a division of Emerson Electric Co.

The Emerson logo is a trademark and service mark of Emerson Electric Co.

www.white-rodders.com
www.emersonclimate.com

Download from Www.Somanuals.com. All Manuals Search And Download.


EMERSON
Climate Technologies

Free Manuals Download Website

<http://myh66.com>

<http://usermanuals.us>

<http://www.somanuals.com>

<http://www.4manuals.cc>

<http://www.manual-lib.com>

<http://www.404manual.com>

<http://www.luxmanual.com>

<http://aubethermostatmanual.com>

Golf course search by state

<http://golfingnear.com>

Email search by domain

<http://emailbydomain.com>

Auto manuals search

<http://auto.somanuals.com>

TV manuals search

<http://tv.somanuals.com>