

# MODEL M1044 52" FOOT SHEAR



## OWNER'S MANUAL

Phone: (360) 734-3482 • Online Technical Support: [tech-support@shopfox.biz](mailto:tech-support@shopfox.biz)

**COPYRIGHT © MARCH, 2006 BY WOODSTOCK INTERNATIONAL, INC.**

**WARNING: NO PORTION OF THIS MANUAL MAY BE REPRODUCED IN ANY SHAPE OR FORM WITHOUT  
THE WRITTEN APPROVAL OF WOODSTOCK INTERNATIONAL, INC.**

#8115PC

Printed in China

## **WARNING!**

This manual provides critical safety instructions on the proper setup, operation, maintenance and service of this machine/equipment.

Failure to read, understand and follow the instructions given in this manual may result in serious personal injury, including amputation, electrocution or death.

The owner of this machine/equipment is solely responsible for its safe use. This responsibility includes but is not limited to proper installation in a safe environment, personnel training and usage authorization, proper inspection and maintenance, manual availability and comprehension, application of safety devices, blade/cutter integrity, and the usage of personal protective equipment.

The manufacturer will not be held liable for injury or property damage from negligence, improper training, machine modifications or misuse.

## **WARNING!**

Some dust created by power sanding, sawing, grinding, drilling, and other construction activities contains chemicals known to the State of California to cause cancer, birth defects or other reproductive harm. Some examples of these chemicals are:

- Lead from lead-based paints.
- Crystalline silica from bricks, cement and other masonry products.
- Arsenic and chromium from chemically-treated lumber.

Your risk from these exposures varies, depending on how often you do this type of work. To reduce your exposure to these chemicals: Work in a well ventilated area, and work with approved safety equipment, such as those dust masks that are specially designed to filter out microscopic particles.

# Contents

- INTRODUCTION** ..... 2
  - Woodstock Technical Support ..... 2
  - About Your New 52" Foot Shear ..... 2
  - Specifications ..... 2
- SAFETY** ..... 4
  - Standard Safety Instructions ..... 4
  - Additional Safety Instructions for Foot Shears ..... 6
- SET UP** ..... 7
  - Unpacking ..... 7
  - Inventory ..... 7
  - Machine Placement ..... 8
  - Cleaning Machine ..... 8
  - Lifting Shear ..... 9
  - Mounting to Shop Floor ..... 9
  - Foot Pedal ..... 10
  - Front Extension Arms ..... 10
  - Rear Extension Arms ..... 11
  - Pressure Plate Adjustment ..... 11
  - Blade Adjustment ..... 12
  - Adjusting Blade Bow ..... 13
  - Finger Guard ..... 13
- OPERATIONS** ..... 14
  - General ..... 14
  - Stops & Guides ..... 14
  - Shearing Tips ..... 15
- MAINTENANCE** ..... 16
  - Blade Care ..... 16
  - Return Spring Tension ..... 16
  - Gib Adjustment ..... 16
  - Lubrication ..... 16
- SERVICE** ..... 17
  - General ..... 17
  - Troubleshooting ..... 17
- PARTS** ..... 18
  - Parts List ..... 19

USE THE QUICK GUIDE PAGE LABELS TO SEARCH OUT INFORMATION FAST!

# INTRODUCTION

## Woodstock Technical Support

We stand behind our machines! In the event that questions arise about your machine, parts are missing, or a defect is found, please contact Woodstock International Technical Support at (360) 734-3482 or send e-mail to: [tech-support@shopfox.biz](mailto:tech-support@shopfox.biz). Our knowledgeable staff will help you troubleshoot problems and send out parts for warranty claims.

If you need the latest edition of this manual, you can download it from <http://www.shopfox.biz>. If you have comments about this manual, please contact us at:

Woodstock International, Inc.  
Attn: Technical Documentation Manager  
P.O. Box 2309  
Bellingham, WA 98227

## About Your New 52" Foot Shear

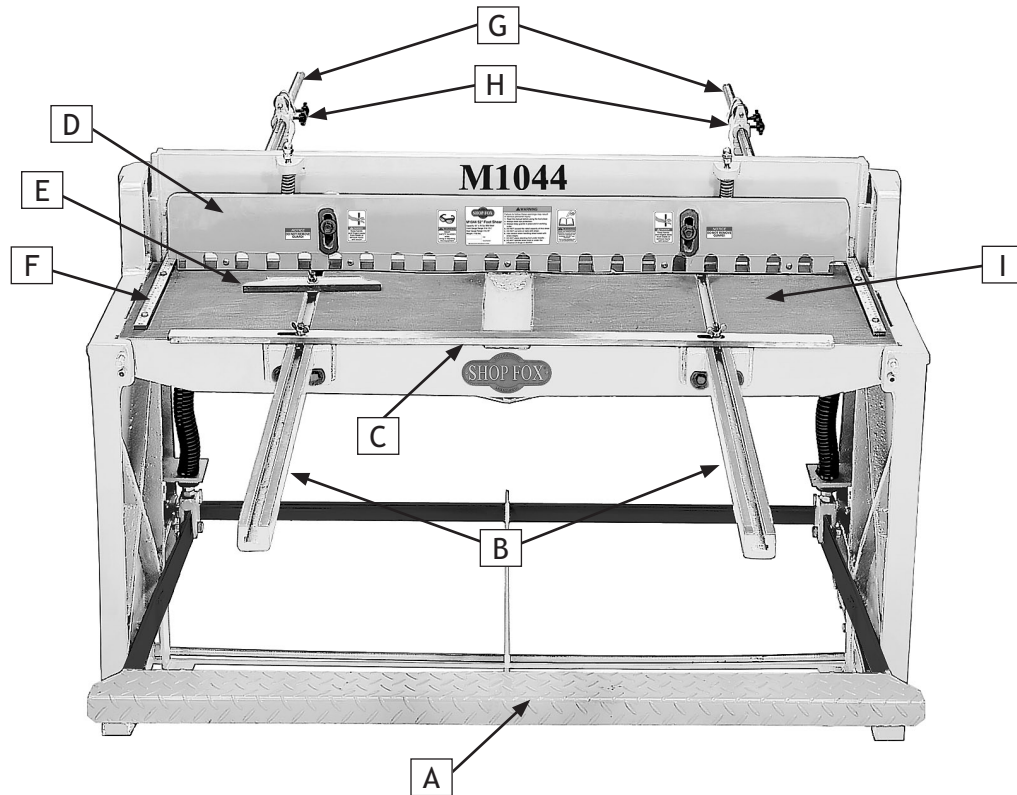
Your new SHOP FOX® 52" Foot Shear has been specially designed to provide many years of trouble-free service. Close attention to detail, ruggedly built parts and a rigid quality control program assure safe and reliable operation.

Woodstock International, Inc. is committed to customer satisfaction in providing this manual. It is our intent to include all the information necessary for safety, ease of assembly, practical use and durability of this product.

## Specifications

Type .....	Foot Shear/Floor Model
Maximum Workpiece Width .....	52"
Cutting Capacity at Full Width.....	18 ga. Mild Steel
Cutting Capacity at Half Width .....	16 ga. Mild Steel
Front Gauge Range .....	0-12 <sup>1</sup> / <sub>2</sub> "
Rear Gauge Range .....	0-35"
Shear Blade Construction.....	Precision Ground Hardened Steel
Frame Material .....	Cast Iron
Table Construction .....	Machined Cast Iron
Pressure Plate Construction.....	Cast Iron
Height (with Handle in Center Position).....	41"
Footprint.....	59 x 21 <sup>1</sup> / <sub>4</sub> "
Crate Size .....	32 x 47 x 65 <sup>1</sup> / <sub>2</sub> "
Approximate Machine Weight .....	1040 lbs.

# M1044 Controls and Features



- A. Foot Pedal
- B. Front Extension Arms
- C. Front Stop
- D. Pressure Plate
- E. Bevel Gauge
- F. Scale
- G. Rear Extension Arms
- H. Rear Adjustment Blocks
- I. Table

# SAFETY

**READ MANUAL BEFORE OPERATING MACHINE.  
FAILURE TO FOLLOW INSTRUCTIONS BELOW WILL  
RESULT IN PERSONAL INJURY.**

## **DANGER**

Indicates an imminently hazardous situation which, if not avoided, **WILL** result in death or serious injury.

## **WARNING**

Indicates a potentially hazardous situation which, if not avoided, **COULD** result in death or serious injury.

## **CAUTION**

Indicates a potentially hazardous situation which, if not avoided, **MAY** result in minor or moderate injury.

## **NOTICE**

This symbol is used to alert the user to useful information about proper operation of the equipment, and/or a situation that may cause damage to the machinery.

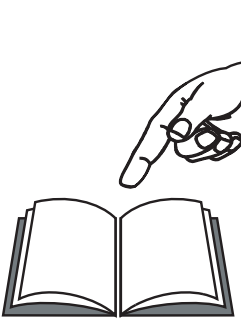
## Standard Safety Instructions

1. **READ THROUGH THE ENTIRE MANUAL BEFORE STARTING MACHINERY.** Machinery presents serious injury hazards to untrained users.
2. **ALWAYS USE ANSI APPROVED SAFETY GLASSES WHEN OPERATING MACHINERY.** Everyday eye-glasses only have impact resistant lenses—they are **NOT** safety glasses.
3. **ALWAYS WEAR AN NIOSH APPROVED RESPIRATOR WHEN OPERATING MACHINERY THAT PRODUCES DUST.** Wood dust is a carcinogen and can cause cancer and severe respiratory illnesses.
4. **ALWAYS USE HEARING PROTECTION WHEN OPERATING MACHINERY.** Machinery noise can cause permanent hearing damage.
5. **WEAR PROPER APPAREL.** **DO NOT** wear loose clothing, gloves, neckties, rings, or jewelry which may get caught in moving parts. Wear protective hair covering to contain long hair and wear non-slip footwear.
6. **NEVER OPERATE MACHINERY WHEN TIRED, OR UNDER THE INFLUENCE OF DRUGS OR ALCOHOL.** Be mentally alert at all times when running machinery.
7. **ONLY ALLOW TRAINED AND PROPERLY SUPERVISED PERSONNEL TO OPERATE MACHINERY.** Make sure operation instructions are safe and clearly understood.
8. **KEEP CHILDREN AND VISITORS AWAY.** Keep all children and visitors a safe distance from the work area.
9. **MAKE WORKSHOP CHILD PROOF.** Use padlocks, master switches, and remove start switch keys.

10. **NEVER LEAVE WHEN MACHINE IS RUNNING.** Turn power off and allow all moving parts to come to a complete stop before leaving machine unattended.
11. **DO NOT USE IN DANGEROUS ENVIRONMENTS.** DO NOT use machinery in damp, wet locations, or where any flammable or noxious fumes may exist.
12. **KEEP WORK AREA CLEAN AND WELL LIT.** Clutter and dark shadows may cause accidents.
13. **USE A GROUNDED EXTENSION CORD RATED FOR THE MACHINE AMPERAGE.** Undersized cords overheat and lose power. Replace extension cords if they become damaged. DO NOT use extension cords for 220V machinery.
14. **ALWAYS DISCONNECT FROM POWER SOURCE BEFORE SERVICING MACHINERY.** Make sure switch is in OFF position before reconnecting.
15. **MAINTAIN MACHINERY WITH CARE.** Keep blades sharp and clean for best and safest performance. Follow instructions for lubricating and changing accessories.
16. **MAKE SURE GUARDS ARE IN PLACE AND WORK CORRECTLY BEFORE USING MACHINERY.**
17. **REMOVE ADJUSTING KEYS AND WRENCHES.** Make a habit of checking for keys and adjusting wrenches before turning machinery ON.
18. **CHECK FOR DAMAGED PARTS BEFORE USING MACHINERY.** Check for binding and alignment of parts, broken parts, part mounting, loose bolts, and any other conditions that may affect machine operation. Repair or replace damaged parts.
19. **USE RECOMMENDED ACCESSORIES.** Refer to the instruction manual for recommended accessories. The use of improper accessories may cause risk of injury.
20. **DO NOT FORCE MACHINERY.** Work at the speed for which the machine or accessory was designed.
21. **SECURE WORKPIECE.** Use clamps or a vise to hold the workpiece when practical. A secured workpiece protects your hands and frees both hands to operate the machine.
22. **DO NOT OVERREACH.** Keep proper footing and balance at all times.
23. **MANY MACHINES WILL EJECT THE WORKPIECE TOWARD THE OPERATOR.** Know and avoid conditions that cause the workpiece to "kickback."
24. **ALWAYS LOCK MOBILE BASES (IF USED) BEFORE OPERATING MACHINERY.**
25. **BE AWARE THAT CERTAIN DUST MAY BE HAZARDOUS** to the respiratory systems of people and animals, especially fine dust. Make sure you know the hazards associated with the type of dust you will be exposed to and always wear a respirator approved for that type of dust.

# Additional Safety Instructions for Foot Shears

SAFETY



**⚠ WARNING**  
 READ and understand this entire instruction manual before using this machine. Serious personal injury may occur if safety and operational information is not understood and followed. **DO NOT** risk your safety by not reading!

**⚠ CAUTION**  
 USE this and other machinery with caution and respect. Always consider safety first, as it applies to your individual working conditions. No list of safety guidelines can be complete—every shop environment is different. Failure to follow guidelines could result in serious personal injury, damage to equipment or poor work results.

1. **GUARDS.** Keep all guards in place and in working order.
2. **FOOTING.** Never stand on the foot pedal with both feet. Keep one foot on the ground at all times to maintain your balance. Never jump on the foot pedal.
3. **HANDS & FINGERS.** Always keep hands and fingers away from the blades and pressure plate.
4. **OPERATOR POSITION.** Keep all body parts out of the way of all moving parts. Serious pinches and cuts could occur.
5. **CAPACITY.** **DO NOT** exceed the rated capacity for this foot shear.
6. **FOOT SHEAR USE.** Only use the foot shear for the purpose it was designed. **DO NOT** cut round pipe, bar, wire or cable.
7. **EXTENSION ARMS.** Always be aware of the extension arm location when working around the shear to avoid walking into them, causing injury and damage to the tool.
8. **COMFORTABLE CUTTING OPERATIONS.** Avoid awkward operations and hand positions where a sudden slip could cause your hand or body to fall into a sharp edge or corner.
9. **BLADE ADJUSTMENTS AND MAINTENANCE.** Always keep blades properly adjusted and sharp.
10. **EXPERIENCING DIFFICULTIES.** If at any time you are experiencing difficulties performing the intended operation, stop using the shear! Contact Tech Support at (360) 734-3482.



# SET UP

## Unpacking

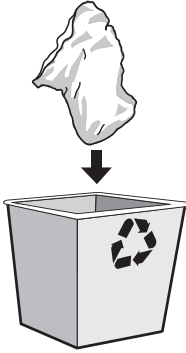
The **SHOP FOX®** Model M1044 has been carefully packaged for safe transporting. If you notice the machine has been damaged, please contact your authorized **SHOP FOX®** dealer immediately.

If any parts are missing, examine the packaging for the missing parts. For any missing parts, find the part number in the back of this manual and contact Woodstock International, Inc. at (360) 734-3482 or at [tech-support@shopfox.biz](mailto:tech-support@shopfox.biz)

## Inventory

The following is a description of the main components shipped with the **SHOP FOX®** Model M1044. Lay the components out to inventory them.

**Note:** Some parts and hardware may already be installed on the machine. Make sure to check the machine when you use this inventory list.



**! WARNING**

**SUFFOCATION HAZARD!**  
Immediately discard all plastic bags and packing materials to eliminate choking/suffocation hazards for children and animals.

Box Inventory (Figure 1)	Qty
A. Foot Shear (not shown) .....	1
B. Foot Pedal .....	1
C. Front Extension Arms .....	2
D. Rear Extension Arms w/Adjustable Stops .....	2
E. Bevel Gauge .....	1
F. Rear Stop.....	1
G. Front Stop.....	1

### Hardware and Tools

- Hex Wrenches 5, 6, 8mm .....
- Wrench 12/14mm.....
- Wrench 17/19mm.....

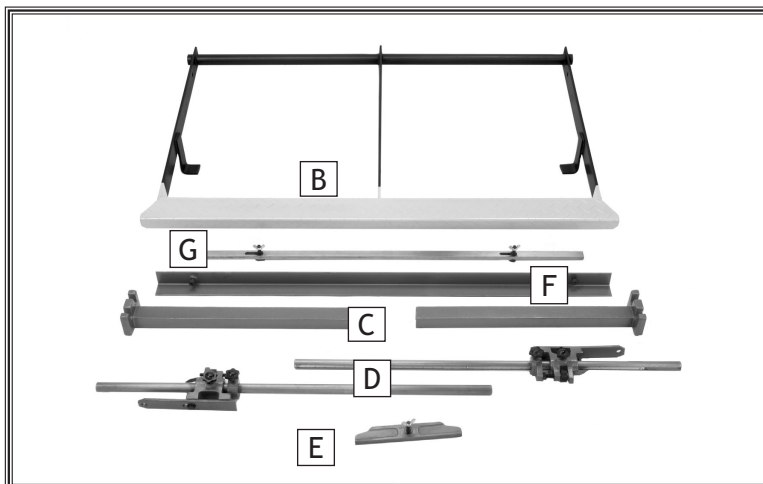
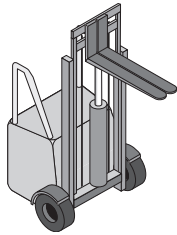


Figure 1. Loose parts inventory.

SET UP

# Machine Placement

- **Floor Load:** This machine distributes a heavy load in a small footprint. Some floors may require additional bracing to support both machine and operator.
- **Working Clearances:** Consider existing and anticipated needs, size of material to be processed through the machine, and space for auxiliary stands, work tables or other machinery when establishing a location for your foot shear.
- **Lighting:** Lighting should be bright enough to eliminate shadow and prevent eye strain.



**⚠ WARNING**  
 USE helpers and power lifting equipment to lift this 52" foot shear. Otherwise, serious personal injury may occur.



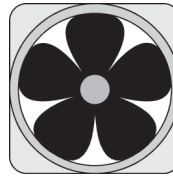
**⚠ CAUTION**  
 MAKE your shop "child safe." Ensure that your workplace is inaccessible to youngsters by closing and locking all entrances when you are away. NEVER allow untrained visitors in your shop when assembling, adjusting or operating equipment.

# Cleaning Machine

The table and other unpainted parts of your foot shear are coated with a waxy grease that protects them from corrosion during shipment. Clean this grease off with a solvent cleaner or citrus-based degreaser. DO NOT use chlorine-based solvents such as brake parts cleaner or acetone—if you happen to splash some onto a painted surface, you will ruin the finish.



**⚠ WARNING**  
 NEVER use gasoline or other petroleum-based solvents to clean with. Most have low flash points, which make them extremely flammable. A risk of explosion and burning exists if these products are used. Serious personal injury may occur if this warning is ignored!



**⚠ CAUTION**  
 ALWAYS work in well-ventilated areas far from possible ignition sources when using solvents to clean machinery. Many solvents are toxic when inhaled or ingested. Use care when disposing of waste rags and towels to be sure they DO NOT create fire or environmental hazards.

SET UP

## Lifting Shear

A forklift or other mechanical device will be needed to lift the 1040 lb. shear off of the pallet. Have a helper nearby to assist. Lift the foot shear as shown in **Figure 2**.

## Mounting to Shop Floor

We recommend that you mount your new foot shear to the floor for safety and to offer the best performance. Since floor materials vary, floor mounting hardware is not included. Generally, you can bolt your foot shear to the floor using the options described below. Whichever option you choose it will be necessary to use a precision level to level your foot shear.

### Bolting to Concrete Floors

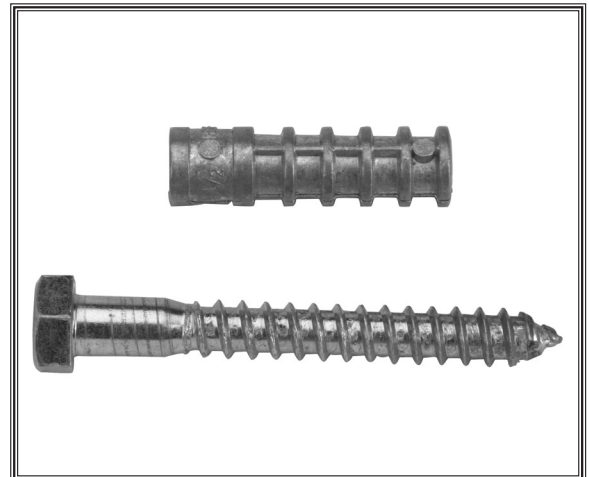
Lag shield anchors with lag bolts (**Figure 3**) and anchor studs (**Figure 4**) are two popular methods for anchoring an object to a concrete floor. We suggest you research the many options and methods for mounting your foot shear and choose the best that fits your specific application.

### **NOTICE**

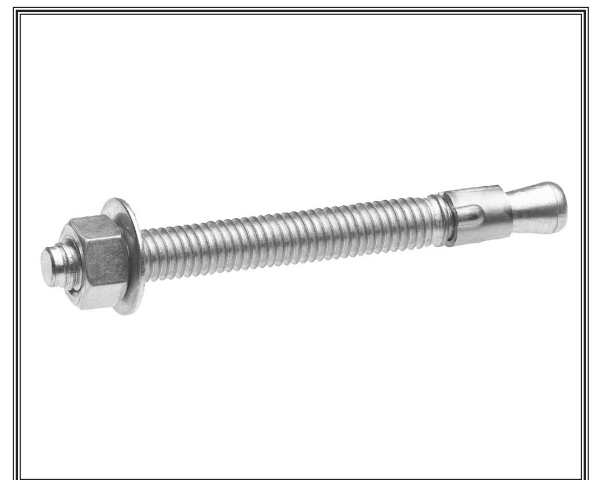
Anchor studs are stronger and more permanent alternatives to lag shield anchors; however, they will stick out of the floor, which may cause a tripping hazard if you decide to move your machine at a later point.



**Figure 2.** Lifting the foot shear.



**Figure 3.** Typical lag shield anchor and lag bolt.



**Figure 4.** Typical anchor stud.

## Foot Pedal

You will need the help of an assistant for this step.

To install the foot pedal as shown in Figure 5, do these steps:

1. Loosen the set screws that hold the hinge pins in place and slide them outward.
2. With the help of an assistant, position the foot pedal pivot over the hinge pin hole and insert the hinge pin.
3. Tighten the set screws to hold the hinge pin in position.
4. Link the two swivel bottoms through the side arms of the foot pedal with the supplied bolts and tighten in position.
5. When complete, the finished assembly should look like Figure 5.

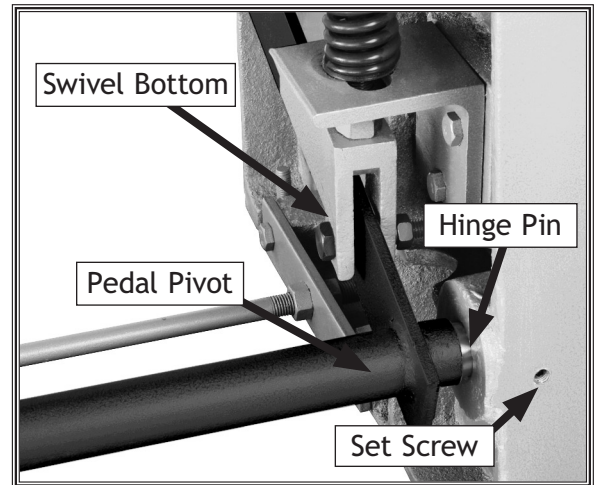


Figure 5. Foot pedal assembly.

## Front Extension Arms

To install the front extension arms as shown in Figure 6, do these steps:

1. Loosen the 19mm bolts on the front of the table.
2. Place the front extension arms over the bolt and behind the special washers.
3. Line up the channel of the front extension arm with the channel on the table.
4. Make sure the ground surface on the front extension arm is flush with the top of the table surface.
5. Tighten the bolts and check to make sure your alignments are still intact. If they are not, readjust.
6. When complete, the finished assembly should look like Figure 6.

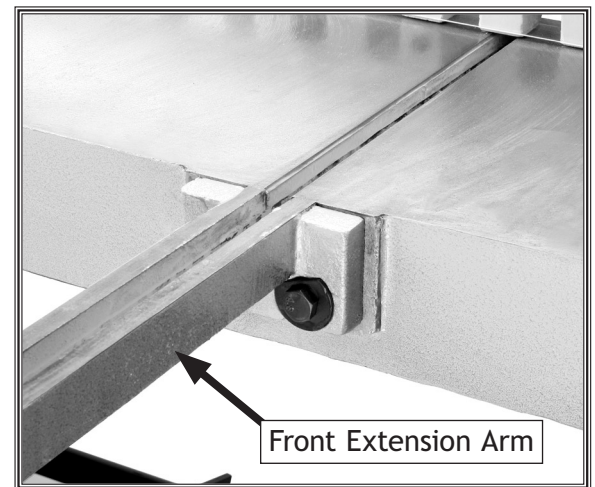


Figure 6. Front extension arm installed.

## Rear Extension Arms

To install the rear extension arms as shown in Figure 7 do these steps:

1. Slide the rear extension arms into the sockets on the back of the table with the scales face up.
2. Tighten the set screws.
3. Attach the rear stop to the rear extension bars and secure with the provided knurled thumb screws.
4. When complete, the finished assembly should look like Figure 7.

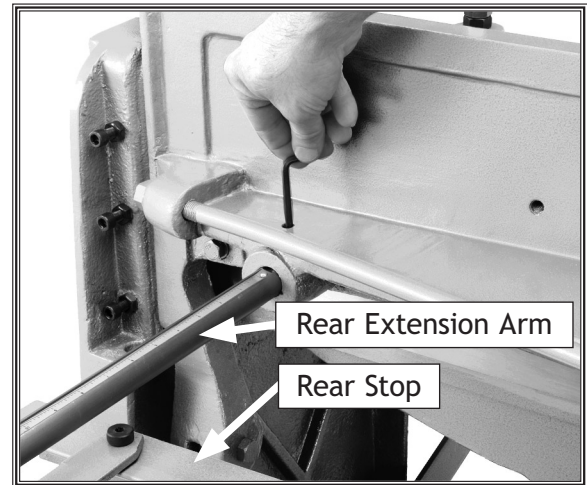


Figure 7. Installing rear extension arms.

## Pressure Plate Adjustment

To adjust the pressure plate, do these steps:

1. Tighten the hex nut on top of the spring, then raise the pressure plate off the table.
2. Insert the shim stock under a pressure plate finger, turn the hex nut to lower the pressure plate until it makes light contact with your shim.
3. Repeat **Steps 1 & 2** on the other side of the shear.
4. Tighten the two fixing bolts on the front of the pressure plate to secure it in place (see **Figure 8**).
5. Recheck the gap to make sure the distance is equal across the length of the pressure plate.

**Tip:** To avoid scratching the surface of your workpiece, apply thin rubber pads to the bottom of the pressure plate fingers.

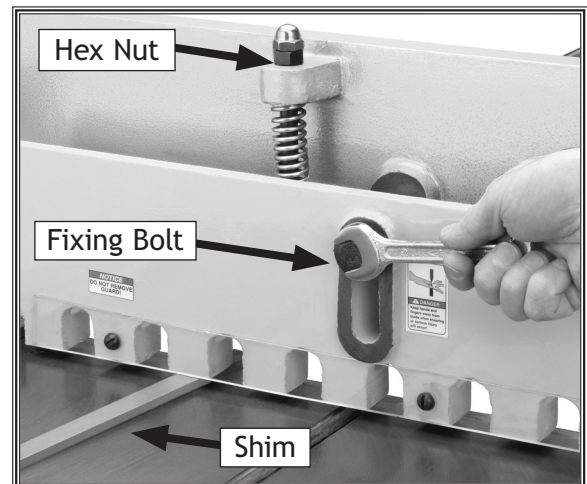


Figure 8. Tightening pressure plate.

# Blade Adjustment

The blade adjustment has been made at the factory before shipment. A few test cuts will determine if this adjustment is satisfactory for your needs. If it is, you are ready to start using your foot shear. However, you may find it necessary to check the blade adjustment before continuing. Depending on how often you change the type and gauge of material you cut, this adjustment process will become routine.

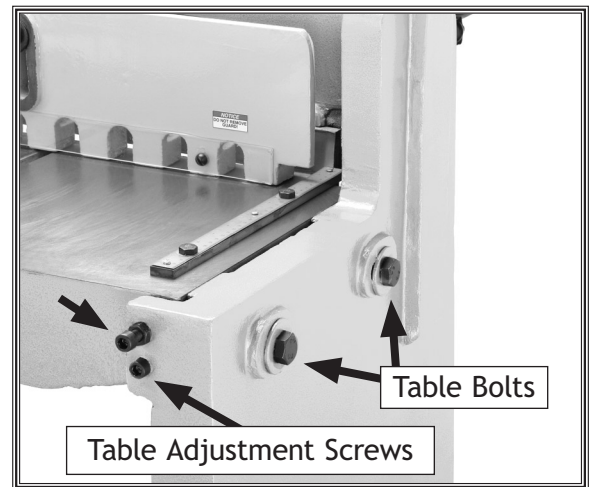
To perform the blade set up, do these steps:

1. Loosen, but do not remove the two table bolts and table adjustment screws on both sides of the foot shear (see **Figure 9**).
2. Using the foot pedal, lower the blade and hold it in position. (It may help to have your assistant do this step.)
3. Turn the table adjustment screws to move the table and fixed blade until the fixed blade makes light contact with the moving blade.

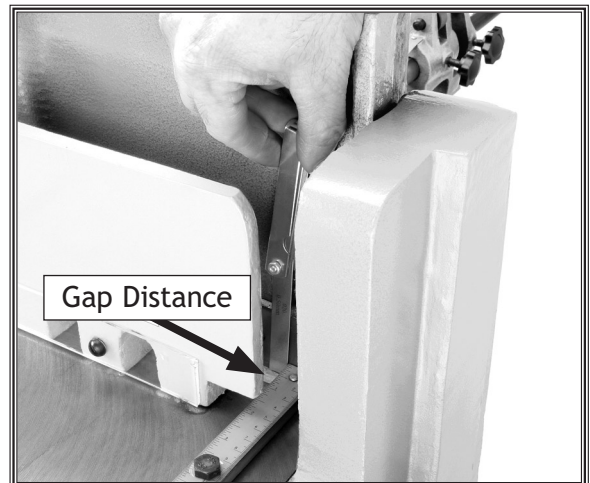
**NOTICE:** *The moving blade should never overlap the fixed blade. This will cause damage to both.*

4. Looking behind the pressure plate, make sure the two blade surfaces appear to make light contact all the way across the length.
  - If they do, proceed to the next step.
  - If you observe a gap between the two blade surfaces move to the **Adjusting Blade Bow** section.
5. Using a sheet of paper, confirm that you have proper contact by making several cuts along the length of the blade. The shear should cut through the paper cleanly.
6. Turn the table adjustment screws to move the fixed blade away from the moving blade so you have a gap of 0.002". Check this measurement with a feeler gauge as shown in **Figure 10**.

**Note:** *The gap width will change depending on the type and gauge of the material being sheared. This is a trial-and-error process. Test with scrap pieces until you achieve satisfactory results.*



**Figure 9.** Adjustment screws.



**Figure 10.** Measuring gap between blades.

7. Repeat **Step 6** on the other side so the gap is uniform across the length of the blade.
8. Tighten the four leg bolts and double check the gap to make sure it has not changed. If it has repeat the process.

## Adjusting Blade Bow

The blade bow of the moving blade is adjusted by loosening or tightening the bow bolt at the center of the straightening rod (see **Figure 11**). Observe the change in the gap when the moving blade is just below the top of the fixed blade. After making adjustments to the bow, repeat the **Blade Adjustment** section.

- If the shear cuts paper on the ends but not the center, turn the bow bolt clockwise until paper is cut across the length.
- If the shear cuts paper (**Figure 12**) at the center but not the ends, turn the bow bolt counterclockwise until the paper is cut across the length.

**NOTICE**  
**DO NOT REMOVE FINGER**  
**GUARD!**

## Finger Guard

A clear plastic finger guard is fixed to the front of the pressure plate. Under no circumstances should this guard be removed. It will keep your fingers out of the blade but it will NOT protect you from the crushing force of the pressure plate. Never let any part of your body get behind this finger guard! Be sure to keep the guard in working order and maintain the position and readability of all the warning labels.

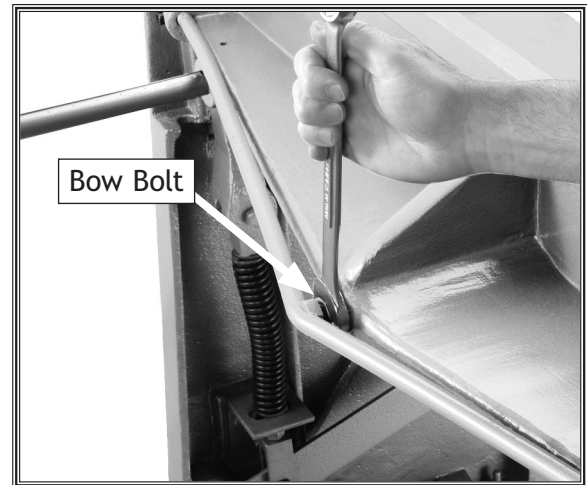


Figure 11. Adjusting bow bolt.



Figure 12. Paper shear test.

# OPERATIONS

## General

The Model M1044 will perform many types of operations that are beyond the scope of this manual. Many of these operations can be dangerous or if performed incorrectly.

The instructions in this section are written with the understanding that the operator has the necessary knowledge and skills to operate this machine. **If at any time you are experiencing difficulties performing any operation, stop using the machine!**

If you are an inexperienced operator, we strongly recommend that you read books, trade articles, or seek training from an experienced *Foot Shear* operator before performing any unfamiliar operations. **Above all, your safety should come first!**

## Stops & Guides

The front stop and angle guide are quickly adjusted by wing nuts on the top of the stops. The rear extension arms have micro-adjusting stops in **Figure 13** that allow you to fine tune your cut length. For the most accurate cuts, make sure that you have at least one square edge up against a stop.

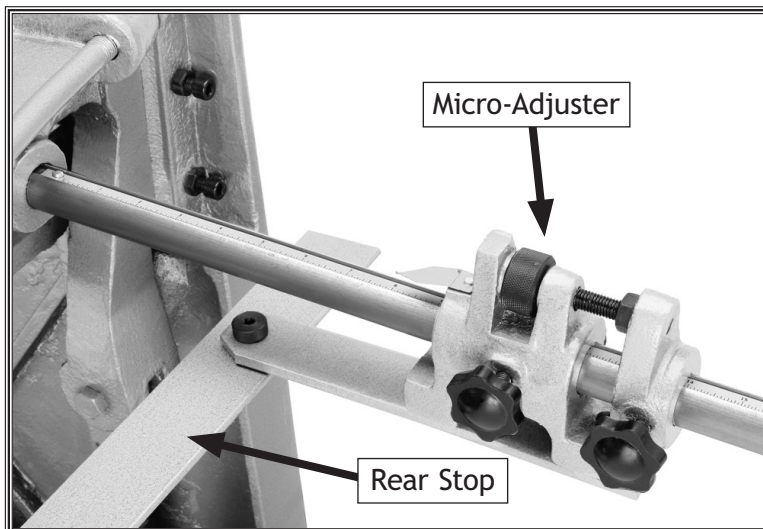
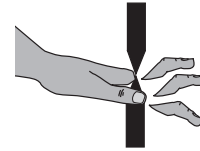


Figure 13. Micro-adjusting stop.

**! DANGER**



**CRUSHING AND SEVERING HAZARD!**  
Keep hands and fingers away from pressure plate and blade when shearing or serious injury will occur!

**! WARNING**



**READ and understand this entire instruction manual before using this machine. Serious personal injury may occur if safety and operational information is not understood and followed. DO NOT risk your safety by not reading!**



## Shearing Tips

### NOTICE

**DO NOT** cut wire or cable on this foot shear. **DO NOT** exceed the rated capacity for sheet metal. **Damage to the blades or other parts will occur!**

- The table in **Figure 14** lists other materials and the equivalent decimal thicknesses that can be used on this shear.
- For the best results, never cut any piece narrower than eight times the thickness of the material. For example  $\frac{1}{2}$ " strip of 0.06" mild steel. This would be hard to do anyway, since the distance from the clamp to the blade is more the  $\frac{1}{2}$ ".
- Keep the blade gap to the smallest distance possible.
- When shearing, the work should be squared against a guide.
- The pressure plate should be adjusted approximately  $\frac{1}{4}$ " above the table when the shear blade is in the up position. As you move the blade downward, the pressure plate should immediately rest against the workpiece and hold it in place.
- Do not reach around the machine to grab the sheared piece. Large pieces should be allowed to drop on a table.
- To prevent distortion when shearing, snap the foot pedal quickly to pierce the workpiece.
- After shearing metal parts will have a sharp edge on them. These edges may cause cuts or lacerations when handled. Deburr workpiece to remove the edge before handling.
- Have the shear blades sharpened by a professional. This will lead to accurate, quality results.

	16 GA.	18 GA.	20 GA.
Mild Steel	0.060"	0.048"	0.036"
Stainless	NA	NA	0.031"
Cold Rolled	0.048"	0.035"	0.030"
Aluminum	0.100"	0.090"	0.063"
Brass			
• Soft	0.072"	0.064"	0.051"
• 1/2 Hard	0.064"	0.051"	0.036"
• Hard	0.054"	0.051"	0.036"
Phosphor Bronze			
• Annealed	0.064"	0.051"	0.040"
Copper			
• Soft	0.072"	0.064"	0.051"
• Hard	0.064"	0.051"	0.040"

**Figure 14.** List of equivalents of other material that can be cut on foot shear.

### WARNING



**Always wear safety glasses when operating the 52" Foot Shear. Failure to comply may result in serious personal injury.**

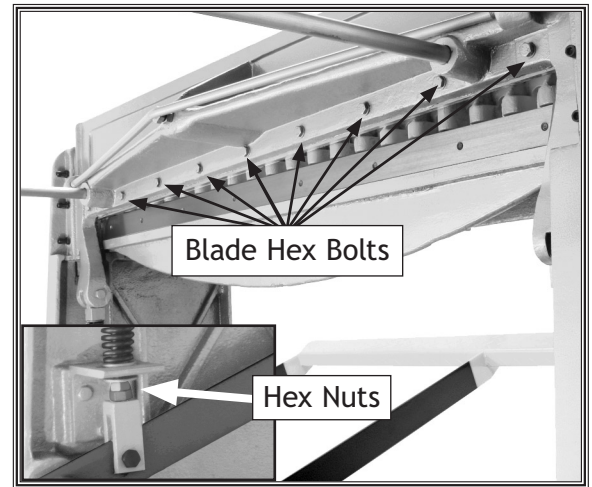
# MAINTENANCE

## Blade Care

The blades can be removed by removing the eight hex bolts that attach the blades to the castings (see **Figure 15**).

The moving blade has two cutting edges on it that are ground with a 2° edge relief. Reverse the blade to expose the new cutting edge as soon as one edge is dull. The blade can be sharpened on a surface grinder by grinding both wide sides of the blade.

The fixed blade has one cutting edge with a 2° edge relief and a 1° face relief. It can be resharpened on a surface grinder by grinding the wide side of the blade.



**Figure 15.** Blade bolts and return spring.

## Return Spring Tension

The return spring can be adjusted on the foot lever. To increase the return rate, tighten the hex nuts against the spring as shown in **Figure 15**.

## Gib Adjustment

When adjusting gibs, keep in mind that the goal of gib adjustment is to remove unnecessary slide movement without causing them to bind. Loose gibs may allow play in the moving blade resulting in poor cuts on the workpiece and undue wear on the slide. Over-tightening will make lowering the foot pedal difficult.

Adjust the three gib screws on each side in small, equal increments. Test for binding or play after each adjustment by pushing and pulling the top of the cutter bar.



**Figure 16.** Gib screw location.

## Lubrication

Lubricate all pivot and sliding points on this machine daily. Lightly oil the surface of the blades and other bare cast iron surfaces to ensure they don't develop rust.

# SERVICE

## General

This section covers the most common service adjustments or procedures that may need to be made during the life of your machine.

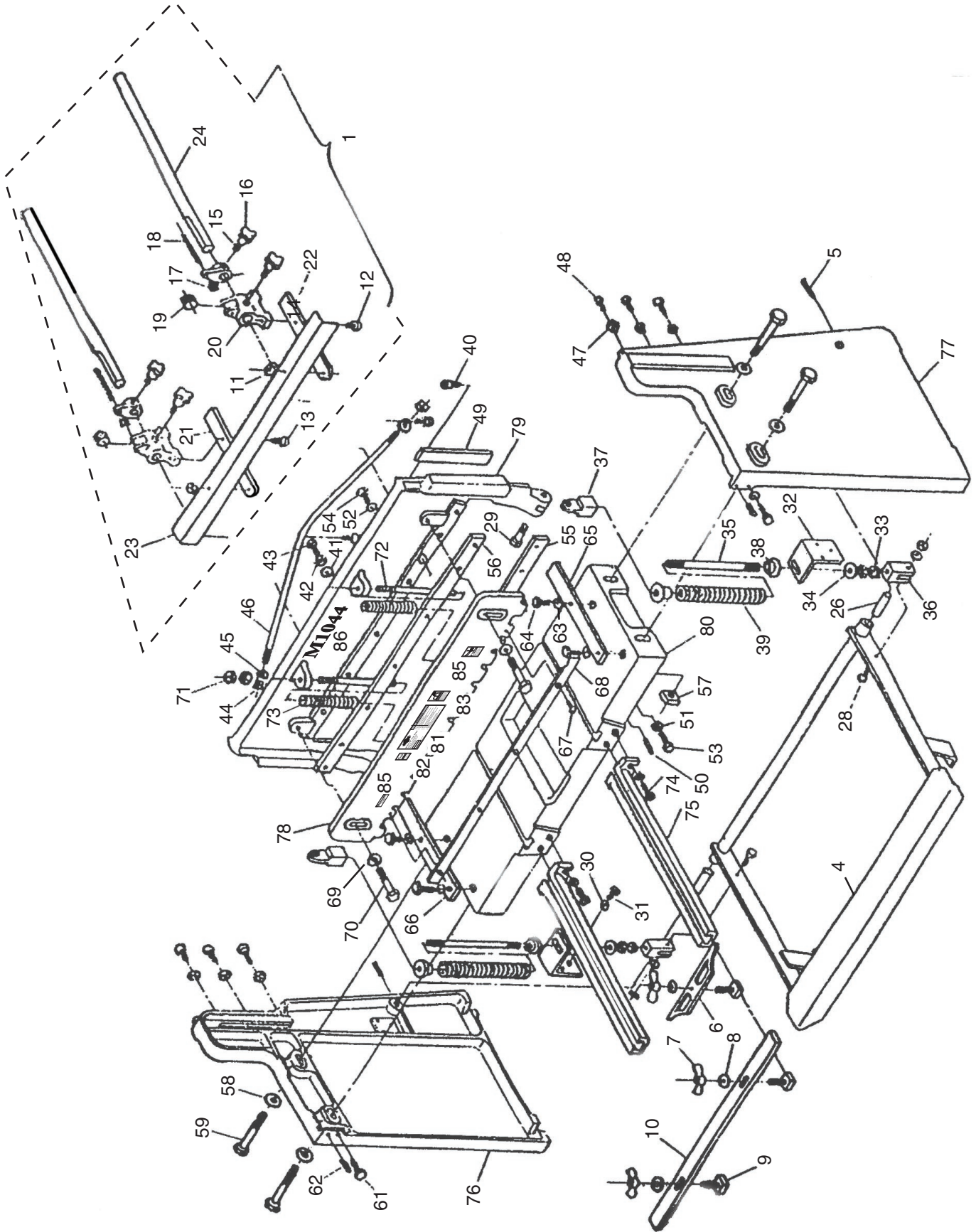
If you require additional machine service not included in this section, please contact Woodstock International Technical Support at (360) 734-3482 or send e-mail to: [tech-support@shopfox.biz](mailto:tech-support@shopfox.biz).

## Troubleshooting

This section covers the most common problems and corrections with this type of machine.

PROBLEM	POSSIBLE CAUSE	CORRECTIVE ACTION
Won't cut material.	1. Improper blade gap distance.	1. Widen gap to accommodate thicker gauge material.
Cuts aren't square.	1. Blade gap unequal across length. 2. Too much bow in blade. 3. Inadequate pressure plate pressure. 4. Uneven contact with guides.	1. Adjust blade gap to be equal across length. 2. Correct blade bow. 3. Adjust gap of pressure plate. 4. Maintain consistent contact with guides.
Poor quality of cuts, ripping or tearing.	1. Dull blades. 2. Poor blade gap set up. 3. Loose gibs.	1. Replace or sharpen blades. 2. Adjust blade set up. 3. Remove play from gibs.
Material creasing around pressure plate or blade during shearing.	1. Pressure plate not adjusted properly. 2. Material being sheared is too narrow. 3. Debris under workpiece or on pressure plate fingers.	1. Adjust pressure plate to provide adequate pressure. 2. Never cut material with a width of less than 8x its thickness. 3. Clean surfaces before use.

# PARTS



# Parts List

REF	PART #	DESCRIPTION
1	XM104401	BACK GAUGE ASSY
4	XM104404	FOOT PEDAL
5	XPSS10M	SET SCREW M10-1.5 X 20
6	XM104406	BEVEL GAUGE
7	XM104407	WING NUT
8	XPW02	FLAT WASHER 3/8"
9	XM104409	T-NUT STUD
10	XM1044010	FRONT STOP
11	XPN02M	HEX NUT M10-1.5
12	XPB32M	HEX BOLT M10-1.5 X 25
13	XM1044013	EXT BAR SCREW
14	XM1044014	ROD BRACKET
15	XM1044015	STUD
16	XM1044016	LOCK KNOB
17	XPN02M	HEX NUT M10-1.5
18	XM1044018	ADJUSTABLE SCREW
19	XM1044019	ADJUSTABLE DIAL
20	XM1044020	ADJUSTABLE BLOCK
21	XM1044021	RIGHT BACK GAUGE EXT BAR
22	XM1044022	LEFT BACK GAUGE EXT BAR
23	XM1044023	BACK GAUGE STOP
24	XM1044024	BACK GAUGE ROD
26	XM1044026	HINGE PIN
28	XM1044028	BOTTOM SWIVEL SCREW
29	XM1044029	TOP SWIVEL SCREW
30	XPW04M	FLAT WASHER 10MM
31	XPSB64M	CAP SCREW M10-1.5 X 25
32	XM1044032	SPRING MOUNTING BRACKET
33	XPN05M	HEX NUT M16-1.5
34	XPLW10M	LOCK WASHER 16MM
35	XM1044035	STUD
36	XM1044036	SWIVEL BOTTOM
37	XM1044037	SWIVEL TOP
38	XM1044038	CAP SPRING
39	XM1044039	FOOT PEDAL SPRING
40	XPSS10M	SET SCREW M10-1.5 X 20
41	XPW08M	FLAT WASHER 16MM
42	XPN05M	HEX NUT M16-1.5
43	XM1044043	BOW BOLT
44	XPN05M	HEX NUT M16-1.5
45	XPW08M	FLAT WASHER 16MM

REF	PART #	DESCRIPTION
46	XM1044046	STRAIGHTENER ROD
47	XPN02M	HEX NUT M10-1.5
48	XPSB72M	CAP SCREW M10-1.5 X 30
49	XM1044049	GIB
50	XPSS15M	SET SCREW M12-1.75 X 12
51	XPW04M	FLAT WASHER 10MM
52	XPW04M	FLAT WASHER 10MM
53	XPSB90M	CAP SCREW M10-1.5 X 55
54	XPB31M	HEX BOLT M10-1.5 x 40
55	XM1044055	FIXED KNIFE (LOWER)
56	XM1044056	MOVING KNIFE (UPPER)
57	XPN05M	HEX NUT M16-1.5
58	XPW08M	FLAT WASHER 16MM
59	XPB113M	HEX BOLT M16-2 X 120
61	XPSB47M	CAP SCREW M10-1.5 X 40
62	XPSS39M	SET SCREW M10-1.5 X 50
63	XM1044063	TABLE SCALE WASHER
64	XM1044064	TABLE SCALE SCREW
65	XM1044065	RIGHT TABLE SCALE
66	XM1044066	LEFT TABLE SCALE
67	XPSB58M	CAP SCREW M8-1.25 X 12
68	XM1044068	FINGER GUARD
69	XPW06M	FLAT WASHER 12MM
70	XPB125M	HEX BOLT M12-1.75 X 65
71	XPN09M	HEX NUT M12-1.75
72	XM1044072	PRESSURE PLATE SPRING STUD
73	XM1044073	PRESSURE PLATE SPRING
74	XPB24M	HEX BOLT M12-1.75 X 45
75	XM1044075	FRONT ARM EXT
76	XM1044076	LEFT SIDE PANEL
77	XM1044077	RIGHT SIDE PANEL
78	XM1044078	PRESSURE PLATE
79	XM1044079	CUTTER BAR
80	XM1044080	TABLE
81	XM1044081	MACHINE ID LABEL
82	XM1044082	SAFETY GLASSES LABEL
83	XM1044083	READ MANUAL LABEL
84	XM1044084	SHEARED FINGERS LABEL
85	XM1044085	GUARD LABEL
86	XM1044086	MODEL NUMBER LABEL

## WARNING

Safety labels warn about machine hazards and how to prevent machine damage or injury. The owner of this machine **MUST** maintain the original location and readability of all labels on this machine. If any label is removed or becomes unreadable, **REPLACE** that label before allowing the machine to enter service again. Contact Woodstock International, Inc. at (360) 734-3482 or [www.shopfoxtools.com](http://www.shopfoxtools.com) to order new labels.

# Warranty

Woodstock International, Inc. warrants all **SHOP FOX®** machinery to be free of defects from workmanship and materials for a period of two years from the date of original purchase by the original owner. This warranty does not apply to defects due directly or indirectly to misuse, abuse, negligence or accidents, lack of maintenance, or reimbursement of third party expenses incurred.

Woodstock International, Inc. will repair or replace, at its expense and at its option, the **SHOP FOX®** machine or machine part which in normal use has proven to be defective, provided that the original owner returns the product prepaid to the **SHOP FOX®** factory service center or authorized repair facility designated by our Bellingham, WA office, with proof of their purchase of the product within two years, and provides Woodstock International, Inc. reasonable opportunity to verify the alleged defect through inspection. If it is determined there is no defect, or that the defect resulted from causes not within the scope of Woodstock International Inc.'s warranty, then the original owner must bear the cost of storing and returning the product.

This is Woodstock International, Inc.'s sole written warranty and any and all warranties that may be implied by law, including any merchantability or fitness, for any particular purpose, are hereby limited to the duration of this written warranty. We do not warrant that **SHOP FOX®** machinery complies with the provisions of any law or acts. In no event shall Woodstock International, Inc.'s liability under this warranty exceed the purchase price paid for the product, and any legal actions brought against Woodstock International, Inc. shall be tried in the State of Washington, County of Whatcom. We shall in no event be liable for death, injuries to persons or property or for incidental, contingent, special or consequential damages arising from the use of our products.

Every effort has been made to ensure that all **SHOP FOX®** machinery meets high quality and durability standards. We reserve the right to change specifications at any time because of our commitment to continuously improve the quality of our products.



# Warranty Registration

Name \_\_\_\_\_  
 Street \_\_\_\_\_  
 City \_\_\_\_\_ State \_\_\_\_\_ Zip \_\_\_\_\_  
 Phone # \_\_\_\_\_ Email \_\_\_\_\_ Invoice # \_\_\_\_\_  
 Model # \_\_\_\_\_ Serial # \_\_\_\_\_ Dealer Name \_\_\_\_\_ Purchase Date \_\_\_\_\_

The following information is given on a voluntary basis. It will be used for marketing purposes to help us develop better products and services. **Of course, all information is strictly confidential.**

1. How did you learn about us?
 

<input type="checkbox"/> Advertisement	<input type="checkbox"/> Friend	<input type="checkbox"/> Local Store
<input type="checkbox"/> Mail Order Catalog	<input type="checkbox"/> Website	<input type="checkbox"/> Other:
  
2. How long have you been a woodworker/metalworker?
 

<input type="checkbox"/> 0-2 Years	<input type="checkbox"/> 2-8 Years	<input type="checkbox"/> 8-20 Years	<input type="checkbox"/> 20+ Years
------------------------------------	------------------------------------	-------------------------------------	------------------------------------
  
3. How many of your machines or tools are Shop Fox®?
 

<input type="checkbox"/> 0-2	<input type="checkbox"/> 3-5	<input type="checkbox"/> 6-9	<input type="checkbox"/> 10+
------------------------------	------------------------------	------------------------------	------------------------------
  
4. Do you think your machine represents a good value?  Yes  No
  
5. Would you recommend Shop Fox® products to a friend?  Yes  No
  
6. What is your age group?
 

<input type="checkbox"/> 20-29	<input type="checkbox"/> 30-39	<input type="checkbox"/> 40-49
<input type="checkbox"/> 50-59	<input type="checkbox"/> 60-69	<input type="checkbox"/> 70+
  
7. What is your annual household income?
 

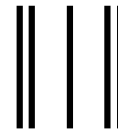
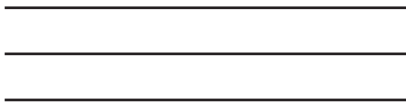
<input type="checkbox"/> \$20,000-\$29,000	<input type="checkbox"/> \$30,000-\$39,000	<input type="checkbox"/> \$40,000-\$49,000
<input type="checkbox"/> \$50,000-\$59,000	<input type="checkbox"/> \$60,000-\$69,000	<input type="checkbox"/> \$70,000+
  
8. Which of the following magazines do you subscribe to?
 

<input type="checkbox"/> Cabinet Maker	<input type="checkbox"/> Popular Mechanics	<input type="checkbox"/> Today's Homeowner
<input type="checkbox"/> Family Handyman	<input type="checkbox"/> Popular Science	<input type="checkbox"/> Wood
<input type="checkbox"/> Hand Loader	<input type="checkbox"/> Popular Woodworking	<input type="checkbox"/> Wooden Boat
<input type="checkbox"/> Handy	<input type="checkbox"/> Practical Homeowner	<input type="checkbox"/> Woodshop News
<input type="checkbox"/> Home Shop Machinist	<input type="checkbox"/> Precision Shooter	<input type="checkbox"/> Woodsmith
<input type="checkbox"/> Journal of Light Cont.	<input type="checkbox"/> Projects in Metal	<input type="checkbox"/> Woodwork
<input type="checkbox"/> Live Steam	<input type="checkbox"/> RC Modeler	<input type="checkbox"/> Woodworker West
<input type="checkbox"/> Model Airplane News	<input type="checkbox"/> Rifle	<input type="checkbox"/> Woodworker's Journal
<input type="checkbox"/> Modeltec	<input type="checkbox"/> Shop Notes	<input type="checkbox"/> Other:
<input type="checkbox"/> Old House Journal	<input type="checkbox"/> Shotgun News	

9. Comments: \_\_\_\_\_  
 \_\_\_\_\_  
 \_\_\_\_\_  
 \_\_\_\_\_

CUT ALONG DOTTED LINE

FOLD ALONG DOTTED LINE



Place  
Stamp  
Here



WOODSTOCK INTERNATIONAL INC.  
P.O. BOX 2309  
BELLINGHAM, WA 98227-2309



FOLD ALONG DOTTED LINE

TAPE ALONG EDGES--PLEASE DO NOT STAPLE



## Free Manuals Download Website

<http://myh66.com>

<http://usermanuals.us>

<http://www.somanuals.com>

<http://www.4manuals.cc>

<http://www.manual-lib.com>

<http://www.404manual.com>

<http://www.luxmanual.com>

<http://aubethermostatmanual.com>

Golf course search by state

<http://golfingnear.com>

Email search by domain

<http://emailbydomain.com>

Auto manuals search

<http://auto.somanuals.com>

TV manuals search

<http://tv.somanuals.com>