



IconRemote™ (Single User)



Owner's Manual Model IR18A



Table of Contents

Introduction	3
Button Functions	4
DVD/SAT Functions	6
Setup	7
Battery Installation	7
Battery Saver	7
Code Saver	7
Power-On Default	7
Code Setup	7
Direct Code Entry	8
Code Search	9
Code Identification Feature	9
Setting Favorites	10
Adjusting Delay Between Digits	11
Setup	12
Programming Combo Device Codes	12
VCR/DVD/DVR Punch-Through Feature ..	12
Volume/Mute Control Feature	12
Setting Volume/Mute Punch-Through	13
Setting Mode to Use Own Volume/Mute	13
Code Learning	14
Tips on Learning	14
IR Transmitter Finder	16
Learning Commands	17
Clearing Commands	18
Clearing Learned Commands	18
Master Clear	18
INPUT	19
Troubleshooting	19

Introduction

Congratulations on your purchase of this Universal Remote Control. You are now the proud owner of a revolutionary remote that remembers your favorite channels for you! Press an icon button and you're instantly taken to your favorite channel!

Universal Remotes let you replace a broken or lost remote or combine more than one remote into one. In addition, this remote is equipped with a command learning feature which lets the remote learn commands from your original equipment remote control!

This remote control operates the common features of most but not all models and brands of IR Infrared Controlled Video Equipment. This remote may provide functions that are not available on your equipment. Some functions of your particular equipment (e.g. menu functions) may not be controlled by this remote. In such cases, use the original remote control for your equipment. Please use this manual to become familiar with your Universal Remote. After you are familiar with your remote the first thing you need to do is to install batteries and setup your remote for your particular product and brand.

Thank you for buying this remote and we hope it will give you many years of service.

12-Month Limited Warranty

X10.com, a division of X10 Wireless Technology, Inc. (X10) warrants X10 products to be free from defective material and workmanship for a period of one (1) year from the original date of purchase at retail. X10 agrees to repair or replace, at its sole discretion, a defective X10 product if returned to X10 within the warranty period and with proof of purchase. If service is required under this warranty:

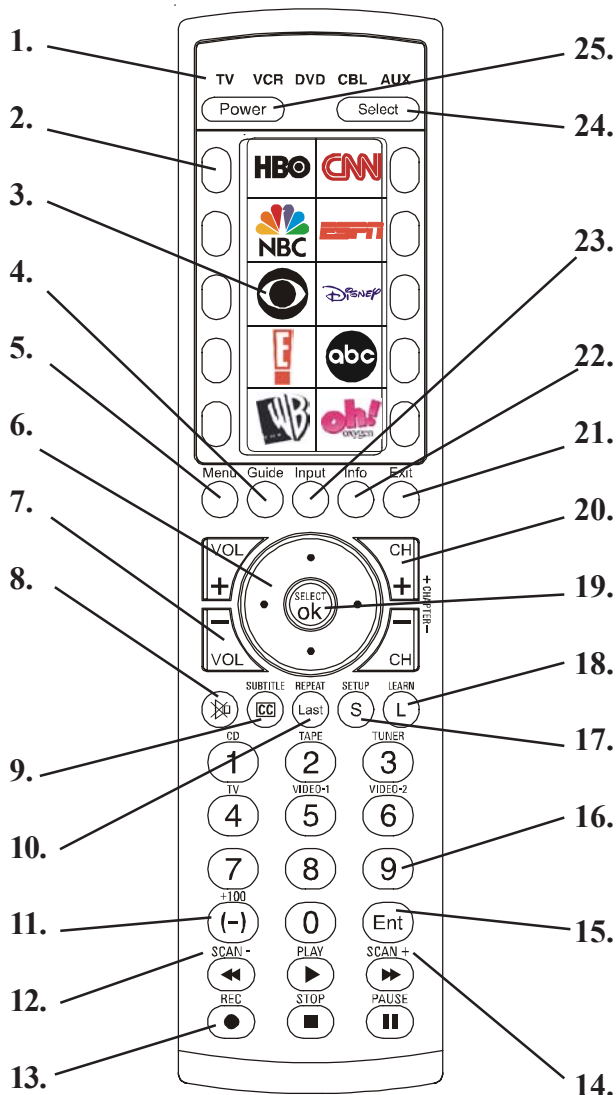
Call 1-800-442-5065, or visit www.x10.com, or e-mail support@x10.com.

For help or more information setup, please visit:

<http://www.x10.com/support>



Button Functions



Note: REC must be pressed **twice** to record from your VCR. For some VCR brands, you might need to press REC once, then press it again for 3 seconds.

Some buttons on the remote might have functions that are referred to by different names on the device you are controlling. These differences depend upon the brand and model of your product. Also, this remote can only operate features that exist on your product.

Button Functions (cont.)

- TV, VCR, DVD, CBL, AUX:** Indicates which equipment is operating; press **SELECT** for mode (from **AUX** to **TV**, **TV** to **VCR**, etc.).
- FAVORITES BUTTONS:** Allow you to choose your favorite channels. (Key feature & benefit!)
- FAVORITES ICONS:** Display icons of your favorite channels. (Key feature & benefit!)
- GUIDE:** Displays on-screen program or channel guides. Displays DVD Title Menu screen.
- MENU:** Brings up the device Menu screen (if available) - use with **UP**, **DOWN**, **LEFT**, and **RIGHT** navigation buttons.
- UP, DOWN, LEFT, RIGHT:** Navigation buttons.
- VOLUME UP/DOWN:** Changes the volume level of the product, normally the TV.
- MUTE:** Turns off the TV sound while the picture remains.
- CC (SUBTITLE):** TV Closed Caption (if your TV has this feature) or DVD Subtitle toggle.
- LAST (REPEAT):** Returns to the previously selected channel or DVD repeat toggle.
- +100:** Used for channels greater than 100. (-) used for digital channels like 2-3.
- SCAN- (REVERSE):** Reverses through a chapter or title.
- REC, STOP, PAUSE, PLAY:** VCR controls.
- SCAN+ (FAST FORWARD):** Fast-forwards through a chapter or title.
- ENT:** Used after direct channel number entry to change to the selected channel immediately.
- NUMBERS:** Enter numbers for direct channel selection. Some products require **ENT** to be pressed after channel selection.
- SETUP:** Initializes setup of remote and devices.
- LEARN:** Used to setup learning functions.
- OK:** Selects menu items for the device you are controlling.
- CHANNEL UP/DOWN:** Changes the channels. **CHAPTER +/-:** controls DVD/CD track selection. **Note:** VCR buttons also control DVD when in DVD mode.
- EXIT:** Exits on-screen menus/returns to previous on-screen selection.
- INFO:** Displays/selects on-screen channel information, etc.
- INPUT:** For some TVs, press repeatedly to select from available viewing sources (antenna, cable box, VCR, etc.).
- SELECT:** For TV, VCR, DVD, Cable (CBL), or Auxiliary device.
- POWER:** Turns device on or off.



Button Functions (cont.)

DVD Functions

SCAN+ and **SCAN-** control fast forward and reverse.
CHAPTER+ and **CHAPTER-** locate chapters or tracks on a disc.

LAST (REPEAT) performs “A-B Repeat” (or RPT A.B) for repeat play of current chapter or track.

INFO brings up DVD Display or Control Menu for chapter/track/title number, time remaining/elapsed indication, system information, etc.

MENU brings up the DVD disk menu screen; use with **UP**, **DOWN**, **LEFT**, and **RIGHT**.

OK is used for on-screen Menu selection.

SUBTITLE (CC) Turns subtitles on or off.

EXIT Exit on-screen menus and/or return to previous on-screen selection.

Note: Not all DVD Players support all functions described above. Your remote operates most (but not all) models and brands of infrared (IR) controlled video equipment. This remote might provide functions not available on your equipment. Some functions (like menus) might not be controlled by this remote. In such cases, use the original remote control for your equipment.

SAT Functions

GUIDE displays on-screen Satellite Channel Guide.

CHAPTER+ and **CHAPTER-** perform the “Page+” and “Page-” function for on-screen guide menus used by some satellite systems.

INFO brings up Satellite Display screen for current channel and system information.

MENU brings up the Satellite Menu screen; use with the **UP**, **DOWN**, **LEFT**, and **RIGHT** navigation buttons.

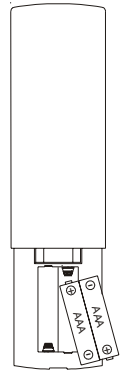
OK is used for on-screen menu selection.

EXIT is used to exit or clear on-screen menu displays.

Setup

Battery Installation

1. On the back of the remote, push down on the tab and lift the cover off.
2. Match the batteries to the + and - marks inside the battery case, then insert 2 AAA Alkaline batteries.
3. Press the battery cover back into place.



Battery Saver

Your remote automatically turns off if the buttons are depressed more than 30 seconds. This will save your batteries should your remote get stuck in a place where the buttons remain depressed (e.g., or for instance, between the sofa cushions).

Code Saver

Codes are stored in permanent memory while you are changing batteries so that you will not lose any codes stored in the remote while you are changing batteries.

Power-On Default

The remote powers on in TV mode.

Code Setup

Please refer to “Code Search” on p. 8 for more information using the code search feature to learn how to search through the library of codes for your products.

Note: You can store any kind of code under any mode (except TV). You can store a VCR code under the **CBL** button, or a DVD code under the **VCR** button, etc. However, you can only store TV codes under the **TV** button.





Direct Code Entry

1. Press and hold **SETUP** until the indicator remains on, then release **SETUP**.
2. Repeatedly press **SELECT** to select the desired mode (**TV**, **VCR**, etc.), unless the desired mode is already selected.
3. Enter the 4-digit code from the code tables (on separate sheet). **Note:** After a valid code entry, the indicator turns off. For an invalid code, the indicator flashes.
4. Press **CHANNEL UP**. If the device responds, no further programming is required. **Note:** If some buttons do not operate your equipment, try one of the other codes for your brand.

Write your codes down here for easy reference later.

Type	Type stored	Code
TV	TV	
VCR		
DVD		
CBL		
AUX		

Code Search

If your product does not respond after you have tried all the codes for your brand or if your brand is not listed, try searching for your code by following these steps.

1. Turn on the device (**TV**, **VCR**, etc.) to be controlled.
2. Press and hold **SETUP** until the indicator remains on, then release **SETUP**.
3. Repeatedly press **SELECT** to select the desired mode (**TV**, **VCR**, etc.), unless the desired mode is already selected.
4. Press **CHANNEL UP** repeatedly (up to 300 times) until the device to be controlled changes channels. The indicator blinks off with each button press.
5. Press and release **MUTE** to install the code.

Most users store VCR codes under **VCR**. Cable codes appear under **CBL** (Cable), etc.

If you want to store a VCR code under **CBL**, first follow the procedure for Direct Code Entry and select **CBL** in Step 2 of Direct Code Entry. Then enter any VCR code in Step 3 of Direct Code Entry. Then follow the steps above for Code Search.

Note: If the device does not have a **CHANNEL UP** button, use **PLAY** (VCR only) or **POWER** instead. Code search begins from the currently stored 4-digit number under that mode.

Code Identification Feature

The Code Identification Feature lets you identify the 4-digit library code stored under your device key.

If you want to find what 4-digit code is stored under any device mode, follow these steps.

1. Press and hold **SETUP** until the indicator remains on, then release **SETUP**.
2. Repeatedly press **SELECT** to select the desired mode (**TV**, **VCR**, etc.), unless the desired mode is already selected.
3. Press and release **SETUP**. The indicator blinks.
4. To find the first digit for the code stored under the mode selected in Step 2, press each number button (**0-9**). When the indicator blinks off, the number you pressed is the first code digit you are searching for.
5. To find the second digit, repeat Step 4. When the indicator blinks off, this is the second digit.
6. Repeat Step 4 to find the third and fourth digits.

Setting Favorites

The Favorites feature is what really sets this remote apart from other remotes. It lets you go to your favorite channel(s) by simply pressing a button next to a sticker (or label) that represents that favorite channel.

1. Press and hold **SETUP** until the indicator remains on, then release **SETUP**.
2. Repeatedly press **SELECT** to select the desired mode (**TV**, **VCR**, etc.), unless the desired device is already selected. This sets the device that this favorite button controls.
3. Press one of the 10 **FAVORITE** buttons to set up a favorite channel. Let's say we select the top right-hand **FAVORITE** button.
4. Enter the channel number for this favorite channel.

Note: You can use up to 5 buttons, including 0 through 9, OK, and - to enter your favorite channel: 550, 472Enter, 162OK, 5-7, etc., are examples.

5. Press **SETUP** when you've finished entering the channel.

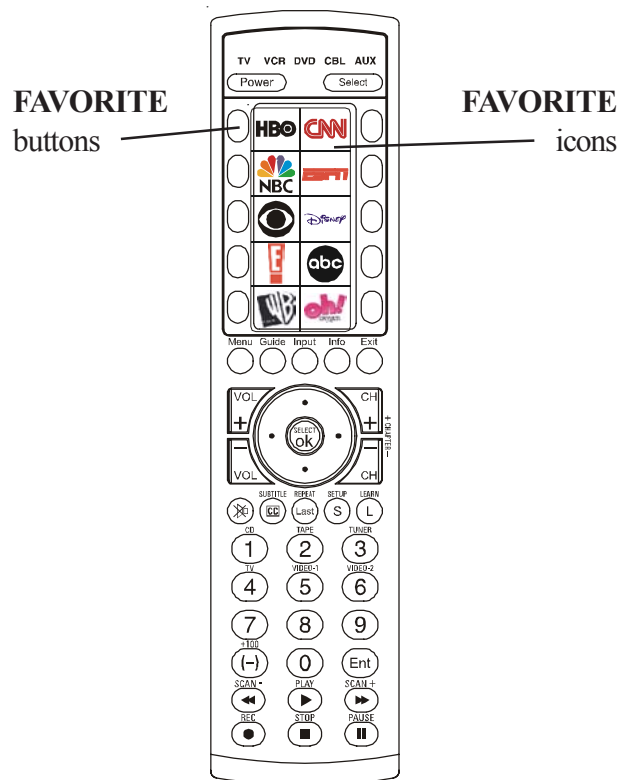
After setting up your favorite, do the following.

6. Attach the sticker that represents the favorite channel you set up above to the location next to that **FAVORITE** button. (In the example on p. 11, we've used a CNN sticker for the top right-hand **FAVORITE** button.)

Follow Steps 1 through 6 to set up more favorites, each time selecting a different **FAVORITE** button in Step 3, and entering a different channel number in Step 4. Then place the appropriate sticker next to the **FAVORITE** button, as in Step 6.

To go to your favorite channel, simply press the **FAVORITE** button next to the sticker that represents the icon for that channel.

Setting Favorites (cont.)



Note: If you can't find a sticker for one of your favorites, go to www.wikipedia.org to find labels for your favorites. Do a search by using the key words **television logos**. Find the logo you need. Right-click the logo and save this logo somewhere on your computer. Print the logo. If the logo needs adjustment, you can use Microsoft Paint, etc. Cut out the logo and paste it next to your **FAVORITE** button.

Adjusting the Delay Between Digits

You might need to adjust the time between digits sent for a favorite channel. If the delay is too long you might point the remote away from your device before all the digits have been sent. If the delay is too short your device might not respond.

1. Press and hold **SETUP** until the indicator remains on, then release **SETUP**.
2. Press and release **PLAY**. The indicator blinks, then stays on.
3. Press and release a number from **0 to 9**. 0 is no delay and 9 is the longest delay.



Setup

Programming Combo Device Codes

Some combo (combination) devices (TV/VCR, TV/DVD, DVD/VCR, etc.) require you to set up 2 different modes to control both parts of the combo.

For example, if you have a TV/DVD combo, you might need to set up one code under the **TV** mode to control the TV and a separate code (under other modes) to control the DVD.

VCR/DVD/DVR Punch-Through Feature

This remote allows the 6 VCR buttons (**PLAY**, **PAUSE**, **STOP**, **SCAN+**, **SCAN-**, and **REC**) to “punch-through” (transmit or hand-over) control from any mode programmed with TV or Cable codes to the last **VCR**, **DVD**, or **DVR** mode used.

For example, if you have 2 DVD, VCR, or DVR devices programmed into this remote, the last device you used controls the 6 VCR buttons.

Note: This feature will not operate if the programmed TV, SAT or Cable code has its own VCR transport button control e.g. a TV Combo, SAT/PVR, etc.

Volume/Mute Control and Punch-Through Feature

Your remote allows you to select which device mode controls **VOLUME** and **MUTE**.

This remote is initially set for all device modes to use their own Volume/Mute control if present.

If the programmed code does not have Volume/Mute operation, then **VOLUME** and **MUTE** will “punch-through” (hand-over) control to the **TV**-mode device without you needing to change to **TV** mode. **Note:** Any mode chosen for Volume/Mute control **must** have its own Volume/Mute function or else **VOLUME** and **MUTE** will not function.



Setup (cont.)

Setting ALL Volume/Mute Controls to Any Mode

You can set all modes to “punch-through” to any mode for Volume/Mute control without needing to change to that mode by doing the following.

1. Press and hold **SETUP** until the indicator remains on, then release **SETUP**.
2. Press and hold **MUTE** until the indicator blinks off, then release the button.
3. Press and release **SELECT** to select the desired mode (**TV**, **VCR**, etc.) for Volume/Mute control; the indicator blinks, then stays on.
4. Press and release **MUTE**; the indicator turns off. **Note:** The indicator will blink rapidly for 3 seconds if the mode you have selected does not have Volume/Mute control.
5. All other modes will now “punch-through” to your chosen mode for Volume/Mute control.

Setting Any Mode to Use its Own Volume/Mute Control

You can set any mode to use only its own Volume/Mute control.

Note: If your chosen mode does not have Volume/Mute functions, then this remote’s **VOLUME** and **MUTE** will not operate.

1. Press and hold **SETUP** until the indicator remains on, then release **SETUP**.
2. Press and hold **MUTE** until the indicator blinks off, then release the button.
3. Press and release **SELECT** to select the desired mode (**TV**, **VCR**, etc.); the indicator blinks, then stays on.
4. Press and release **VOLUME-** (down); the indicator blinks, then stays on.
5. Press and release **MUTE**; the indicator turns off.
6. All modes will now “punch-through” to the respective modes you have chosen for Volume/Mute control.





Code Learning

Your remote is equipped with an easy “learning” feature that lets it “learn” features (such as **RANDOM PLAY** from your original CD remote).

Tips On Learning

You can only learn one device type under any one mode button e.g. only learn TV codes under the TV mode, VCR codes under the VCR mode, etc. If you are trying to learn from a “universal” type original remote, it might have more than one code type stored under a mode. Try learning from another remote to see if there’s a problem with the type or band of remote you are trying to learn from.

Keep the following in mind about learning codes.

- Some functions from some types of remotes might not be able to be learned.
- No functions may be learned under the **LEARN**, **SETUP**, and **SELECT** keys.
- Use fresh batteries for both your new remote and your original remote.
- Keep at least 3 feet away from incandescent or low-energy lights when learning.
- Place the original remote end-to-end with your new remote so the IR transmitter (at the top) on your original remote points at the IR learning device on the bottom of your new remote.
- Keep the distance between the two remotes to approximately 1 inch.
- Line up the remotes and then press the key you want to learn. To get the correct range, press the key on the remote you are learning. Do not change the distance between the two remotes until you have learned all the required keys.
- When Learning, do not release the button being Learned until the indicator has blinked off for half a second. However, some keys might be learned multiple times if you do this. If this happens, just “tap” the key you want to learn rather than press and hold it. For example, keys that you normally hold down for awhile (like volume up or down) will likely require a long press when learning.



Tips On Learning (cont.)

- Keys that you normally give a quick press (like the numbers, and channel up/down) will likely require a quick press when learning. If after learning, say, the channel-up key, you find that it changes multiple channels when pressed once, try relearning it with a short key press.
- If learning the first or second keys results in continuous errors, then try the following:
 1. Check that the IR transmitters/sensors are correctly aligned between the two remotes (see next page).
 2. Adjust the distance between the two remotes to be closer (1/2 an inch) or further away (2 inches) from each other.
 3. Try learning the original remote keys again.
 4. If problems reoccur with the same button, check the original remote key being learned – does it transmit? Does it operate the target device?
 5. Clear all learned settings and try learning again.

If problems reoccur with the same button, check the original remote button being learned to see if there is transmission.

Try learning that button under a different cleared mode, if necessary.

If the remote learns, then this situation is likely a different code type from others and cannot be learned under the same mode.



IR Transmitter Finder

This feature assists you in identifying where your original remote's infrared (IR) transmitter is located.

This feature is particularly useful if your original remote's IR transmitter is hidden behind a lens.

1. Point your remotes so that the top of your existing remote faces the bottom of your new remote and the remotes are about 1 inch apart (see picture on next page).
2. Press and hold **SETUP** until the indicator remains on, then release **SETUP**.
3. Repeatedly press and release **SELECT** to select the desired mode (**TV**, **VCR**, etc.).
4. Press and release **LEARN**; the indicator blinks, then stays on.
5. Press and hold any original remote button and move the original remote to the left and right and/or up and down in front of the IR transmitter.

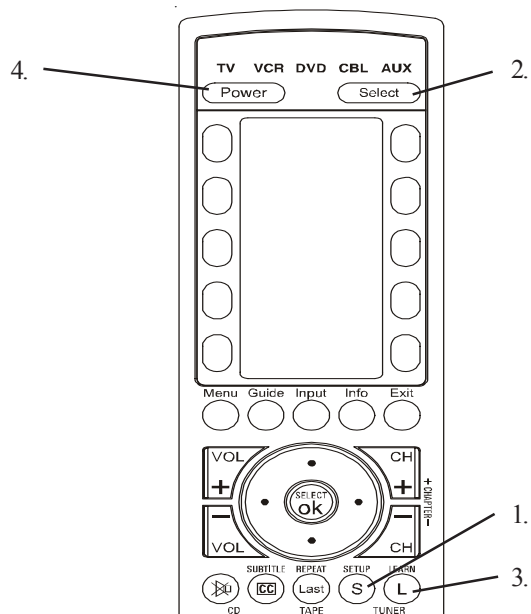
Note1: The indicator will remain on if there is not any IR from the original remote. The indicator will blink on and off more rapidly when the IR transmitters are lining up. The point where the indicator blinks most rapidly is where the two IR transmitters are aligned.

Note2: Some original remotes only transmit IR on the initial button press and then stop transmitting IR. Quickly press and release the original remote button repeatedly during this procedure in such cases.

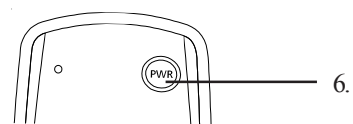
Learning Commands

The learning feature lets your remote "learn" functions from your original remote control.

1. Press and hold **SETUP** until the indicator remains on, then release **SETUP**.
2. Repeatedly press and release **SELECT** to select the desired mode (**TV**, **VCR**, etc.).
3. Press and release **LEARN**; the indicator blinks, then stays on.
4. Press and release the button that you want to learn (for instance, **POWER**).
5. Point your original remote at the bottom of your new remote until they are about 1 inch apart.
6. Press and hold the original remote button (for instance, Power) until the indicator blinks once, then stays on. If there is a learning problem, the indicator blinks for 3 seconds and stays on. If this happens, repeat Steps 4 to 6.
7. Repeat Steps 4-6 for other buttons you want your remote to learn.
8. Press and release **SETUP** when all desired remote commands are learned. Code learning is now complete.



Line up your remotes (that you're learning from) in front of the learning remote on a hard surface approx. 1-inch apart.





Clearing Commands

To Clear All Learned Commands Under a Mode

Clearing learned commands is helpful if you replace your CD player with another brand or model, for example. If your remote had learned a feature (such as **RANDOM PLAY**) from your old CD player's original remote, that feature would no longer work for your new CD player.

If you want to remove or clear one or more learned commands, do the following.

1. Press and hold **SETUP** until the indicator remains on, then release **SETUP**.
2. Press and release **SELECT** to select the mode you want to clear (**TV**, **VCR**, etc.).
3. Press and release **LEARN** twice. The indicator blinks off.
4. Press and release **SETUP**. The indicator turns off. All learned commands under that mode are now cleared.

Master Clear

Master Clear - To Clear All Learned Commands Under All Modes

1. Press and hold **SETUP** until the indicator remains on, then release **SETUP**.
2. Press and release **LEARN** twice. The indicator blinks off.
3. Press and release **SETUP**. The indicator turns off. All learned commands in the remote are now cleared.



INPUT

When in TV mode, **INPUT** performs the INPUT source-switch function.

When in a mode that has been programmed for VCR, **INPUT** performs the TV/VCR antenna-switch function.

When in a mode that has been programmed for Cable, **INPUT** performs the A.B-switch function.

When in a mode that has been programmed for DVD, **INPUT** performs the DVD-setup function.

When in a mode that has been programmed for SAT, **INPUT** performs the TV/SAT switch function.

Troubleshooting

Remote does not operate your product

1. Select the mode for the product you want to control.
2. Program the remote with a new code.
3. Install new batteries in the remote. (You might have to reprogram your remote after installing new batteries.)
4. If these steps do not work, the remote might not be compatible with your product.

Remote does not operate some features of your product

1. Program remote with a new code.
2. If this does not work, your remote might not be able to operate all features of your product or the button names might be different than your product's.

Indicator blinks after you program a product code

1. This means the remote did not accept the code.
2. Try to program the code again or try a different code.



**X10.COM, A DIVISION OF
X10 WIRELESS TECHNOLOGY, INC.
3824 NORTH 5TH ST., SUITE C,
NORTH LAS VEGAS, NV 89032
WEB SITE: [HTTP://WWW.X10.COM](http://www.x10.com)**

IR18A-03/08



Free Manuals Download Website

<http://myh66.com>

<http://usermanuals.us>

<http://www.somanuals.com>

<http://www.4manuals.cc>

<http://www.manual-lib.com>

<http://www.404manual.com>

<http://www.luxmanual.com>

<http://aubethermostatmanual.com>

Golf course search by state

<http://golfingnear.com>

Email search by domain

<http://emailbydomain.com>

Auto manuals search

<http://auto.somanuals.com>

TV manuals search

<http://tv.somanuals.com>