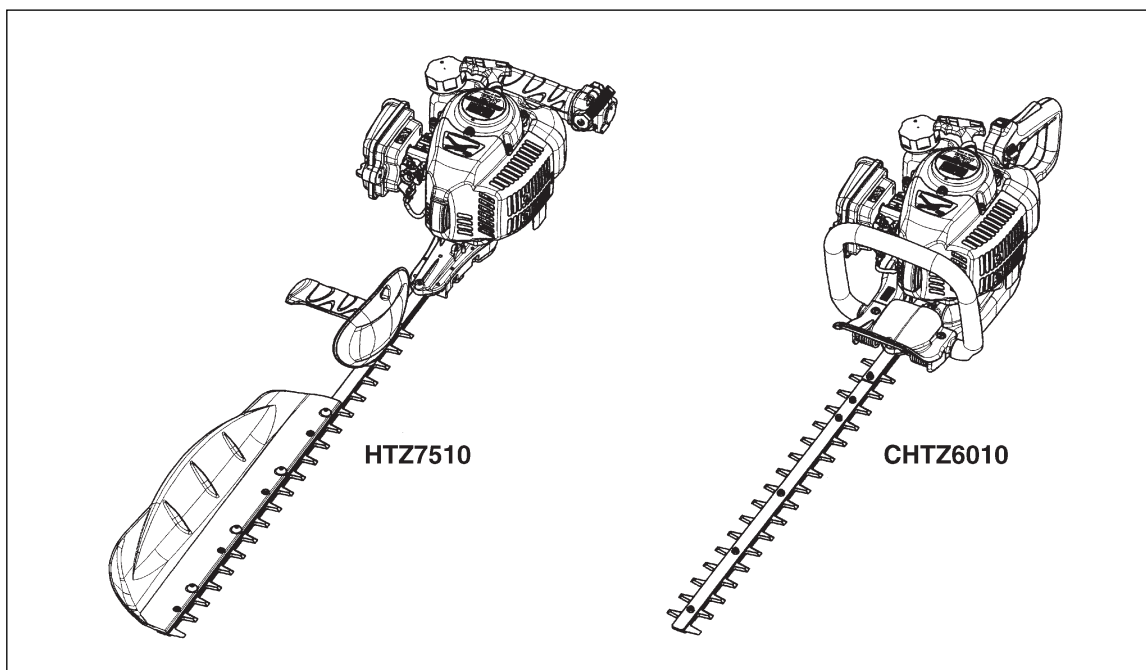


OWNER'S MANUAL 使用说明书

HEDGE-TRIMMERS

剪 枝 机

HTZ7510 CHTZ6010



CAUTION

- Before using our products, please read this manual carefully to understand the proper use of your unit.
- Keep this manual handy.

注 意

- 使用本品之前请务必先阅读本使用说明书。
- 使用说明书请妥善保管。

! SAFETY FIRST

Instructions contained in warnings within this manual marked with a **!** symbol concern critical points which must be taken into consideration to prevent possible serious bodily injury, and for this reason you are requested to read all such instructions carefully and follow them without fail.

■ NOTES ON TYPES OF WARNINGS IN THE MANUAL**! WARNING**

This mark indicates instructions which must be followed in order to prevent accidents which could lead to serious bodily injury or death.

IMPORTANT

This mark indicates instructions which must be followed, or it leads to mechanical failure, breakdown, or damage.

NOTE

This mark indicates hints or directions useful in the use of the product.

! 安全第一

本说明书上记载的注意事项以及机器上贴着的带有**!**的警告标签, 是表示有发生人身事故危险的重要项目, 务请认真阅读并严格遵守。

■ 关于警告标志**! 警告**

表示如不遵守注意事项, 便可能导致重伤或死亡。

重要

表示如不遵守注意事项, 有可能致使机器损伤或发生故障。

补充

表示其他使用上必要的补充说明。

English**Contents**

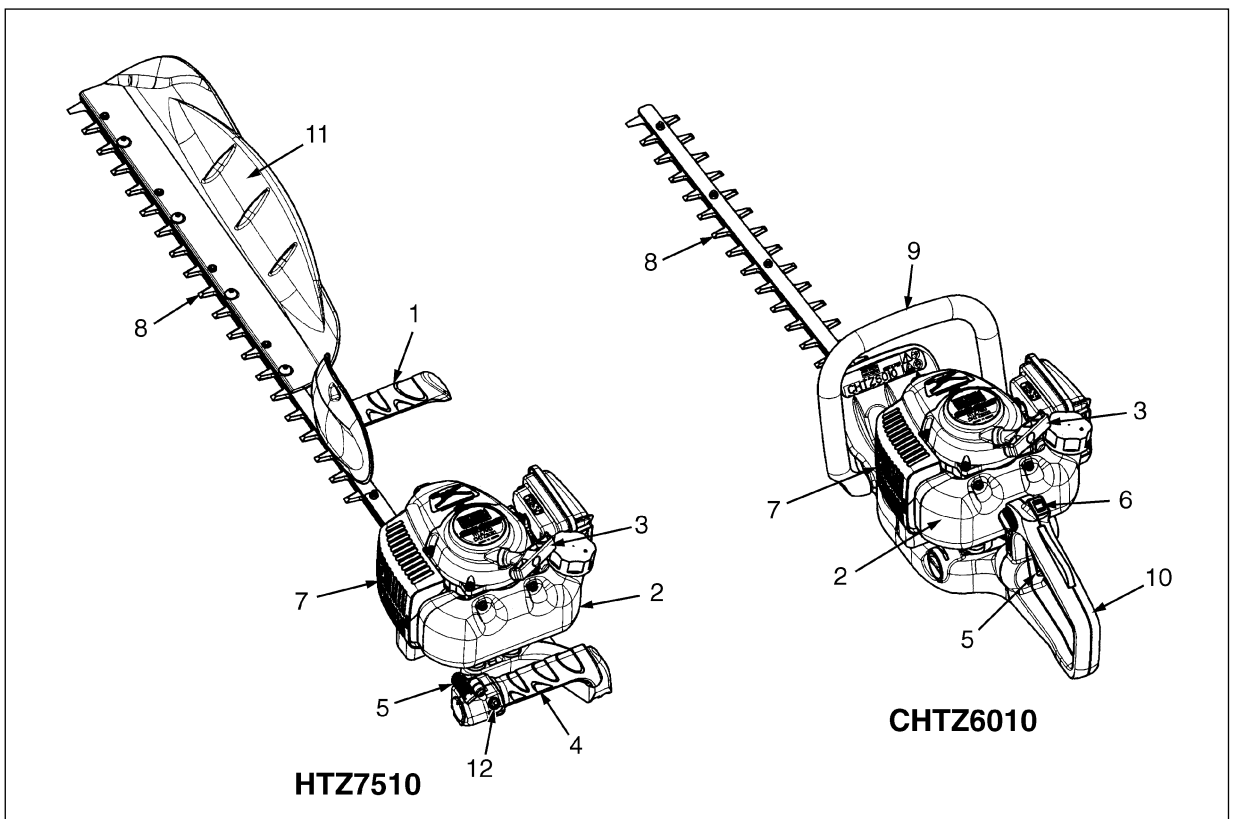
1. PARTS LOCATION	4
2. SYMBOLS ON THE MACHINE	5
3. SAFETY PRECAUTIONS	6
4. FUEL.....	13
5. OPERATION	14
6. MAINTENANCE	17
7. SPECIFICATIONS	22

中文**目录**

1. 各部分的名称.....	4
2. 操作装置符号.....	5
3. 正确使用须知.....	6
4. 燃料.....	13
5. 操作方法.....	14
6. 检修.....	17
7. 产品主要数据.....	22

1. Right handle
2. Fuel tank
3. Starter
4. Left handle
5. Throttle lever
6. Engine switch
7. Muffler
8. Blade
9. Front handle
10. Rear handle
11. Plate receive
12. Engine stop switch

1. 右操作把手
2. 燃料罐
3. 启动器
4. 左操作把手
5. 节流杆
6. 引擎开关
7. 消音器
8. 刀片
9. 前操作把手
10. 后操作把手
11. 挡板
12. 引擎停止开关



⚠ WARNING**1. CLEANER**

Please inspect the cleaner every day for dirt. Please clean out any dust that is found up to the element on the carburetor side. When rebuilding the cleaner, be sure to follow the following order: element → felt → element. If dust remains on the cleaner when it is used, the dust may enter the engine, cause abrasion in the pistons, and lead to engine damage.

2. GEAR CASE

Please re-supply the gear case with grease every 25 hours. Grease must be added every day if the unit is used in dusty areas. Grease should be added until the old grease emerges. Dirty grease is a cause of internal abrasion.

3. BLADES

Please replace the blades if the space between them becomes 0.7mm or more. This is because dust may enter the gear case and cause abrasion.

⚠ 警告**1. 滤清器**

请每天检查滤清器的污垢。汽化器一侧的滤芯沾有灰尘时请清除灰尘。组装时请务必按照滤芯→毛毡→滤芯的顺序安装。如果不清除灰尘继续使用，灰尘会进入发动机，从而磨损活塞，损伤发动机。

2. 齿轮箱

请每25小时给齿轮箱加一次润滑脂。在灰尘较多的场所使用时请务必每天补充润滑脂。补充润滑脂时，请加至旧的润滑脂全部去除为止。脏的润滑脂会引起内部磨损。

3. 刀片

刀片之间的缝隙超过 0.7mm 时请更换。否则灰尘会通过缝隙进入齿轮箱，引起齿轮箱内部的磨损。

2. SYMBOLS ON THE MACHINE**2. 操作装置符号**

(a)

For safe operation and maintenance, symbols are carved in relief on the machine. According to these indications, please be careful not to take a mistake.

为了便于使用操作和保养管理，操作装置用标志符号来表示。请按这些标志符号进行操作，注意避免发生失误。



(b)

(a).The port to refuel the "MIX GASOLINE"
POSITION: FUEL TANK CAP

(a) 表示使用燃料的种类为"混合汽油"

标志符号表示部位：燃料缸盖



(c)

(b).The direction to close the choke
POSITION: AIR CLEANER COVER

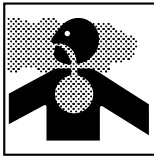
(b) 表示向该符号的方向操作控制杆时，进气门便会关闭。

标志符号表示部位：空气滤清器的盖子

(c).The direction to open the choke
POSITION: AIR CLEANER COVER

(c) 表示向该符号的方向操作控制杆时，进气门便会开通。

标志符号表示部位：空气滤清器的盖子



■ BEFORE USING THE MACHINE

- a. Read this owner's manual carefully to understand how to operate this unit properly.
- b. This product has been designed for use in trimming leaves and branches from trees and hedges, and it should never be used for any other purpose since doing so could result in unforeseen accidents and injuries occurring.
- c. You should never use this hedge-trimmer when under the influence of alcohol, when suffering from exhaustion or lack of sleep, when suffering from drowsiness as a result of having taken cold medicine, or at any other time when a possibility exists that your judgment might be impaired or that you might not be able to operate the hedge-trimmer properly and in a safe manner.
- d. Avoid running the engine indoors. The exhaust gases contain harmful carbon monoxide.
- e. Never use your hedge-trimmer under circumstances like those described below:
 1. When the ground is slippery or when other conditions exist which might make it not possible to maintain a steady posture while using the hedge-trimmer.
 2. At night, at times of heavy fog, or at any other times when your field of vision might be limited and it would be difficult to gain a clear view of the area.
 3. During rain storms, during lightning storms, at times of strong or gale-force winds, or at any other times when weather conditions might make it unsafe to use this product.
- f. When using this product for the first time, before beginning actual work, learn to handling the hedge-trimmer from skilled worker.

■ 在使用本品之前

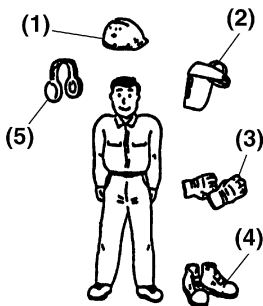
- a. 使用前请务必认真阅读本使用说明书，将产品的性能以及使用上的注意事项理解清楚。
- b. 本产品的用途是修剪树篱、灌木以及茶树。为了避免以外事故，请勿用于本产品用途以外的修剪。
- c. 本产品装备有高速反复运动的刀刃，因此，如果操作有误，则非常危险。所以在疲劳或不舒服的时候，服用了感冒药之后或饮酒之后，不能够确保正常判断能力的情况下，请勿使用本产品。
- d. 引擎排出的气体里含有对人体有害的一氧化碳。请不要在室内、温室内或隧道内等通风不好的地方使用本产品。
- e. 以下各种场合，请勿使用。
 1. 脚下较滑，难以保持稳定的作业姿势时。
 2. 因浓雾或夜间，对作业现场周围的安全难以确认时。
 3. 天气不好时(下雨、刮大风、打雷等)
- f. 初次使用时，务必先请有经验者对本产品的用法进行指导后，方可开始实际作业。

- g. Lack of sleep, tiredness, or physical exhaustion results in lower attention spans, and this in turn leads to accidents and injury. Limit the amount of time over which the hedge-trimmer is to be used continuously to somewhere around 30~40 minutes per session, and take 10~20 minutes of rest between work sessions. Also try to keep the total amount of work performed in a single day under 2 hours or less.
- h. Be sure to keep this manual handy so that you may refer to it later whenever any questions arise.
- i. Always be sure to include this manual when selling, lending, or otherwise transferring the ownership of this product.
- j. Never allow children or anyone unable to fully understand the directions given in this manual to use this hedge-trimmer.



■ WORKING GEAR AND CLOTHING

- a. When using your hedge-trimmer, you should wear proper clothing and protective equipment as follows.



- (1) **Helmet**
 (2) **Protection goggles or face protector**
 (3) **Thick work gloves**
 (4) **Non-slip-sole work boots**
 (5) **Ear protectors**

- b. And you should carry with you things as follows.
1. Attached tools and files
 2. Properly reserved fuel
 3. Spare blade
 4. Things to notify your working area (Rope, warning signs)
 5. Whistle (for collaboration or emergency)
 6. Hatchet or saw (for removal of obstacles)
- c. Never use your hedge-trimmer when wearing pants with loose cuffs, when wearing sandals, or when barefoot.



- g. 过度疲劳会使注意力降低, 从而成为发生事故的原因, 不要使作业计划过于紧张, 每次连续作业时间不能超过30-40分钟, 然后要有10-20分钟的休息时间, 一天的作业时间应限制在两个小时以内。
- h. 本使用说明书请妥善保管, 有不懂的地方, 请随时查阅。
- i. 本产品转让或借给别人时, 请将本使用说明书也一同交给对方。
- j. 另外, 请勿让不能理解本说明书的人或儿童使用本产品。

■ 使用时的服装·装备

- a. 使用本产品时, 要穿好适于室外作业的服装, 并穿戴好以下装备。

- (1) **作业帽(在坡地作业时要戴头盔)**
 (2) **防尘眼睛或面部防护罩**
 (3) **结实的手套**
 (4) **不易滑、结实的鞋**
 (5) **耳塞(特别是长时间作业时)**

- b. 另外, 请务必携带以下用品。
1. 产品附属工具及钢锉
 2. 装在适当容器里的燃料
 3. 替换用刀片
 4. 标示作业区域的用具(绳索、木牌)
 5. 哨子(共通作业或遇紧急情况时使用)
 6. 砍刀、手锯(铲除障碍物时)
- c. 请不要穿裤脚宽大的裤子或赤脚、穿凉鞋、草鞋等作业。



■ WARNING CONSIDERING HANDLING OF FUEL

- a. The engine of this product is designed to run on a mixed fuel which contains highly flammable gasoline. You should never store cans of fuel or refill the fuel tank in any place where there is a boiler, stove, wood fire, electrical sparks, welding sparks, or any other source of heat or fire which might ignite the fuel.
- b. Smoking while operating the hedge-trimmer or refilling its fuel tank is extremely dangerous. Always be sure to keep lit cigarettes away from the hedge-trimmer at all times.
- c. When refilling the tank always turn off the engine first and take a careful look around to make sure that there are no sparks or open flames anywhere nearby before refueling.
- d. If any fuel spillage occurs during refueling, use a dry rag to wipe up spills before turning the engine back on again.
- e. After refueling, screw the fuel cap back tightly onto the fuel tank and then carry the hedge-trimmer to a spot 3m or more away from where it was refueled before turning on the engine.

■ THINGS TO CHECK BEFORE USING YOUR HEDGE-TRIMMER

- a. Before beginning work, look around carefully to get a feel for the shape of the land, or grass to be trimmed, and whether or not there are any obstacles which might get in the way while working, and remove any obstacles which can be cleared away.
- b. The area within a perimeter of 15m of the person using the hedge-trimmer should be considered a hazardous area into which no one should enter while the hedge-trimmer is in use, and when necessary yellow warning rope, warning signs should be placed around the work area. When work is to be performed simultaneously by two or more

■ 有关燃料的注意事项

- a. 本产品的引擎所使用的燃料是「混合汽油」属易燃品。请不要在焚烧炉、喷烧器、篝火、炉灶、电火花、焊接火花等有可能引火的地方加油或存放燃料容器。
- b. 叼着香烟作业或加油非常危险，绝对不要那样做。
- c. 使用过程中加油时，一定要先把引擎停下来，确认周围没有烟火后再加油。
- d. 加油时如燃料碰洒了，一定要将机体上附着的燃料擦干净之后，方可启动引擎。
- e. 加油后将容器密封，然后要在离开燃料容器3米以上的地方启动引擎。

■ 使用前的注意事项

- a. 在开始作业前，要先弄清现场的状况(地形、草的性质、障碍物的位置、周围的危险度等)，清除可以移动的障碍物。
- b. 以作业者为中心，半径15米以内为危险区域，为防他人进入该区域，要用绳索围起来或立起木牌以示警告。另外，几个人同时作业时，要不时地互相打招呼，并保持间隔。

persons, always check the presence and locations of others so as to maintain a distance each person sufficient to ensure safety.

- c. Make sure that there are no loose screws or bolts, fuel leaks, ruptures, dents, or any other problems which might interfere with safe operation. Be especially careful to check that there is nothing wrong with the blades or with the joints by which the blades are attached to the hedge-trimmer.
- d. Never use blades that are bent, warped, cracked, broken or damaged in any way.
- e. Keep the blade always sharp.
- f. Filing the cutting edges, keep the end corner sharp and round the root of the edge.
- g. Check the bolt to fasten the blade and be sure the blade turns smoothly without abnormal noise.

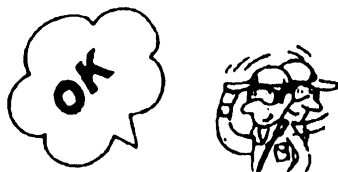
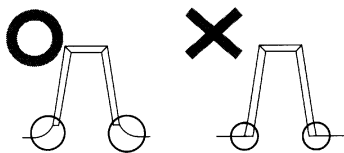
- c. 开始作业之前，要认真检查机体各部，在确认没有螺丝的松动、漏油、损伤或变形等情况后方可开始作业。特别是刀片以及刀片连接部位更要仔细检查。
- d. 确认刀片没有崩刃、裂口、弯曲之后方可使用。绝对不可以使用已出现异常的刀片。
- e. 刀片请使用研磨好了的锋利的。
- f. 研磨刀片时，为防止刀刃崩裂，一定要把齿根部锉成弧形。
- g. 在拧紧螺丝上好刀片后，要先用手转动刀片检查一下有无上下摆动或异常声响。如有上下摆动，则可能引起异常振动或刀片固定部分的松动，十分危险。

■ NOTES ON STARTING THE ENGINE

1. Take a careful look around to make sure that no obstacles exist within a perimeter of 15m or less around hedge-trimmer.
2. Place the body of the hedge-trimmer onto the ground in a flat clear area and hold it firmly in place so as to ensure that neither the blades nor the throttle come into contact with any obstacles when the engine starts up.
3. Place the throttle into the idling position when starting the engine.
4. After starting up the engine, if the blades continue to rotate even after the throttle has been moved fully back, turn off the engine and check the throttle wire and other parts.

■ 启动引擎时的注意事项

1. 启动引擎时要仔细确认周围(半径15米以内)的安全。
2. 启动引擎时，机体要放在地上按住，勿使加油柄碰到地面或周围的障碍物。
3. 将加油柄设定在「启动速度」位置上后启动引擎。
4. 启动引擎后，如调节阀完全退回，刀片仍然旋转不停的话，要马上将引擎停下来，对油门门以及其它部位进行检修。



■ KICKBACK SAFETY PRECAUTIONS

- A dangerous reaction may occur when the spinning blade contacts a solid object in the critical area. It is called Kick back. As a result, the operator can lose control of the unit which can cause serious or fatal injury.

Avoid kickback, observe the safety precautions below strictly.

1. Keep the cutting blades clear of fences, posts, wires, and rocks to prevent kickback and damage to the blades.
2. When using your hedge-trimmer, do not grip other parts except the handles.
3. When using your hedge-trimmer, never take your eyes off. If you need to, place the throttle into the idling position.
4. When using your hedge-trimmer, do not let the unit get closer to your feet nor raise the unit above your waist.

■ NOTES ON TRANSPORTATION

- a. Make sure the appropriate blade cover is in place.
- b. When transporting by car, fix the unit firmly using a rope. Do not transport by bicycle or motorbike because it is dangerous.
- c. Never transport the hedge-trimmer over rough roads over long distances without first removing all fuel from the fuel tank, as doing so might cause fuel to leak from the tank.

■ OPERATION SAFETY PRECAUTIONS

- a. Grip the handles of the hedge-trimmer firmly with both hands. If you suspend the work, place the throttle into the idling position.
- b. Always be sure to maintain a steady, even posture while working.
- c. Maintain the speed of the engine at the level required to perform cutting work, and never raise the speed of the engine above the level necessary.

■ 机体反弹的注意事项

- 机体反弹是指高速旋转的刀片在碰到石块、树木、混凝土、木桩、支柱等坚硬的固定物体时，由于反作用力，机体在一瞬间剧烈抖动的现象。发生反弹时，机会突然会出现意想不到的振动，有可能致使作业者无法正常操作。为防止发生反弹，请务必遵守以下事项。

1. 请注意不要让刀片碰到硬物、桩柱、钢丝以及岩石，以免损伤刀片。
2. 作业时，一定要紧握手把，不要握其它部位。
3. 作业时，眼睛一定要盯住刀片。需要将眼睛离开刀片时，要先将加油柄扳回到「启动速度」位置。
4. 操作时不要使刀片靠近自己的脚或将其抬高至腰部以上位置。

■ 搬运时的注意事项

- a. 使用金属制刀片时，请务必在刀片上安装上附带的刀片护罩或其它适当的防护罩具。
- b. 用汽车搬运时，须用绳索将机体牢固地固定在车槽内。因为危险，切勿用自行车或摩托车搬运。
- c. 切勿将燃料装在燃料箱中走难行之路或长时间搬运，以免燃料外漏。

■ 作业时的注意事项

- a. 作业时紧握机体握把部分。中断作业时，请将加油柄扳回到「启动速度」位置后再松开手。
- b. 作业时要保持稳定的姿势。
- c. 引擎的转速请保持在作业需要的范围之内，不要随意提高。



- d. If the grass gets caught in the blade during operation, or if you need to check the unit or refuel the tank, always be sure to turn off the engine.
- e. If the blade touches a hard object like a stone, immediately stop the engine and check if something is wrong with the blade. If so, replace the blade by new one.
- f. If someone calls out while working, always be sure to turn off the engine before turning around.
- g. Never touch the spark plug or plug cord while the engine is in operation. Doing so may result in being subjected to an electrical shock.
- h. Never touch the muffler, spark plug, or other metallic parts of the engine while the engine is in operation or immediately after shutting down the engine. Doing so may result in serious burns.
- i. When you finish cutting in one location and wish to continue work in another spot, turn off the engine and turn the unit as the blade faces away from your body.

■ MAINTENANCE SAFETY PRECAUTION

- a. Perform the maintenance and checking operations described in this manual at regular intervals. If any parts must be replaced or any maintenance or repair work not described in this manual must be performed, please contact a representative from the store nearest ZENOAH authorized servicing dealer for assistance.
- b. Under no circumstances should you ever take apart the hedge-trimmer or alter it in any way. Doing so might result in the hedge-trimmer becoming damaged during operation or the hedge-trimmer becoming unable to operate properly.
- c. Always be sure to turn off the engine before performing any maintenance or checking procedures.

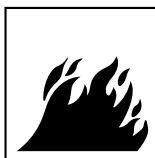
- d. 需要去除缠绕在刀片上的枝，或对刀片、机体进行检查或加油时，要先将引擎关闭，让刀片完全停止转动后再进行上述作业。
- e. 当刀片碰到石块等坚硬的东西时，要立即将引擎关闭，检查刀片是否受损，发现有异常时，要中止作业，换上正常的刀片。
- f. 作业中如听到后边有人打招呼时，一定要先关掉引擎后方可回头。
- g. 引擎运转时，切勿用手触摸火花塞或高压线，以免触电。
- h. 引擎停止后，千万不可马上用手触摸消声器或火花塞，以免因高温烫伤。
- i. 中断作业移动时，要先将引擎关闭，走路时要让刀片朝前。

■ 检修上的注意事项

- a. 本说明书上记载有为维修产品的性能所必要的检修方法。如需要进行本说明书上没有的检修时，可向购买本品的商店或附近代销 ZENOAH 产品的代销店询问。
- b. 请不要对本产品进行改造和分解。否则，操作中有可能使机体受损，或无法正常操作。
- c. 检修时，请勿必将引擎关掉。

- d. When sharpening, removing, or reattaching the blade, be sure to wear thick, sturdy gloves and use only proper tools and equipment to prevent injury.
- e. When replacing blade or any other parts or when replacing the oil or any lubricants, always be sure to use only ZENOAH products or products which have been certified by ZENOAH for use with the hedge-trimmer.

- d. 安装、卸下或研磨刀片时，为防止受伤，一定要戴上结实的手套。
- e. 刀片等替换用配件以及补充油类，请一定使用 ZENOAH 纯正产品或 ZENOAH 所指定的品牌产品。

**WARNING**

- Gasoline is very flammable. Avoid smoking or bringing any flame or sparks near fuel.
- Wipe up all spills before starting the engine.
- Make sure to stop the engine and allow it cool before refueling the unit.
- Keep open flames away from the area where fuel is handled or stored.

IMPORTANT

- Never use oil for 4 cycle engine use or water cooled 2-cycle engine.
- Never use "FUEL WITH NO OIL (RAW GASOLINE)".
- Never use fuel laced with water.
- Mixed fuels which have been left unused for a period of one month or more may clog the carburetor or result in the engine failing to operate properly. Put remained fuel into an air-tight container and keep it in the dark and cool room.
- Please ask for "mixed gasoline for air-cooled 2-cycle engines" at your nearest gas station, or use fuel made by putting unleaded gasoline for automobiles and air-cooled 2-cycle engine oil into a mixing container in accordance with the following ratios and then shaking to mix well.

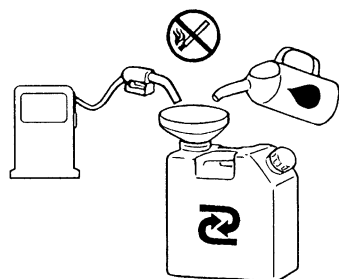
Mixing ratios:

When using Zenoah genuine 2-cycle oil (FC grade):

50:1 (100 ml of oil for every 5 liters of gasoline)

When using commercially available 2-cycle oil (FB grade):

25:1 (160 ml of oil for every 4 liters of gasoline)

**警告**

- 汽油为易燃品
不得在燃料附近吸烟或玩弄带有火焰和火星物。
- 在启动引擎之前整理好周围的散乱物品。
- 在加油之前必须确认引擎停止并冷却。
- 在加油和储油地区必须严禁烟火。

重要

- 不能使用4冲程机油，或水冷2冲程引擎机油。
- 不能使用未与机油混合的燃料（普通汽油）。
- 不能使用混入水的燃料。
- 一个月以上没有使用过的混合燃料有可能妨碍化油器工作，或者引起引擎工作不良。请把剩下的燃料装在密闭容器内，并放置在阴凉爽处。
- 燃料可使用在附近的加油站购买的气冷2冲程引擎用混合汽油，或者将汽车用无铅汽油和气冷2冲程引擎机油按以下比例倒入同一容器，好好摇晃容器，混合配制的燃料。

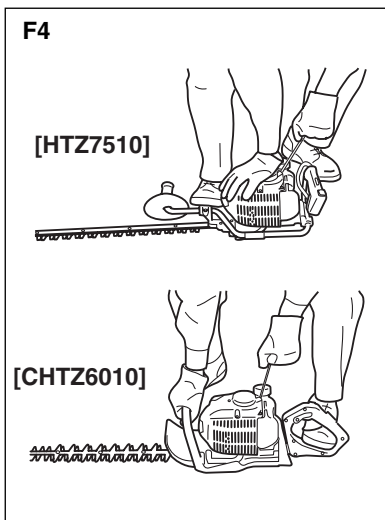
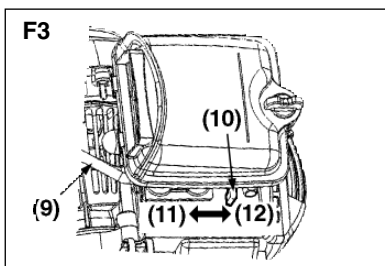
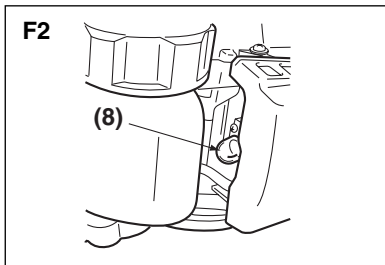
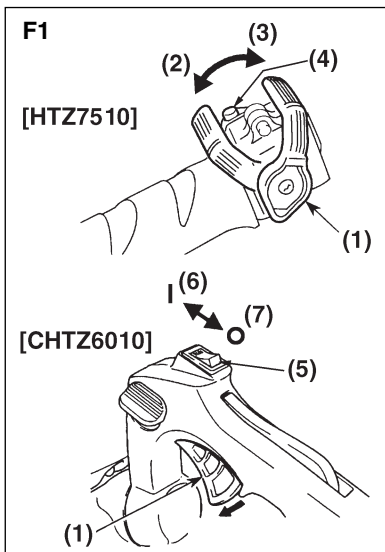
混合比例:

如使用Zenoah 2冲程纯正机油 (FC级) :

50:1 (汽油5L: 机油100ml)

如使用市面销售的2冲程机油 (FB级) :

25:1 (汽油4L: 机油160ml)



STARTING THE ENGINE

WARNING

Keep the blades clear of everything around it as they will start moving upon the engine starts.

- [HTZ7510] Make sure that the throttle lever is at idling position. [CHTZ6010] Release the throttle lever and make sure it is fully back. (F1)
- [CHTZ6010] Set the engine switch to the "I (RUN)" position. (F1)
- Push the primer pump until overflow fuel flows out in the clear tube. (F2)
- Move the choke lever to the closed position. (F3)

- | | |
|-----------------------------|------------------|
| (1) Throttle lever | (7) Stop |
| (2) Full throttle | (8) Primer pump |
| (3) Idling (start position) | (9) Clear tube |
| (4) Stop switch | (10) Choke lever |
| (5) Engine switch | (11) Open |
| (6) Run | (12) Close |

- Place the unit on a flat, firm place. Keep the cutting head clear of everything around it.
- While holding the unit firmly, pull out the starter rope quickly. (F4)

IMPORTANT

- Avoid pulling the rope to its end or returning it by releasing the knob. Such actions can cause starter failures.
- Move the choke lever downward to open the choke, and restart engine. (F3)
 - Allow the engine to warm up for a several minutes before starting operation.

NOTE

- When restarting the engine immediately after stopping it, leave the choke open. (F3)
- Overchoking can make the engine hard to start due to excess fuel. When the engine failed to start after several attempts, open the choke and repeat pulling the rope, or remove the spark plug and dry it.

STOPPING THE ENGINE (F1)

[HTZ7510]

- Please return the throttle lever completely.
- Press the stop switch until the engine comes to a complete stop.

[CHTZ6010]

- Release the throttle lever.
- Move the engine switch to the "O (STOP)" position.

NOTE

If the engine doesn't stop after stopping the switch, close the choke so that engine will stop after a little.

启动引擎

警告

在即将启动引擎时，清除刀片附近的所有物品。

- [HTZ7510] 确认节流柄在空转的位置。
[CHTZ6010] 释放节流柄，并且确认其完全返回。(F1)
- [CHTZ6010] 将引擎开关置于 "I (RUN)" 的位置 (F1)
- 按启动注油泵，直至溢出的燃料流回透明软管。(F2)
- 将风门杆置于关闭位置 (F3)

- | | |
|--------------|-----------|
| (1) 节流杆 | (7) 停止 |
| (2) 节流阀全开 | (8) 启动注油泵 |
| (3) 空转(启动位置) | (9) 透明软管 |
| (4) 停止开关 | (10) 风门杆 |
| (5) 引擎开关 | (11) 开 |
| (6) 转动 | (12) 关 |

- 将机械放在平坦的硬地上。清除切刀片处附近的所有物品。
- 牢牢固定住机械，快速拉启动器发动绳。(F4)

重要

- 应避免将启动装置绳索拉到底或者通过释放旋钮将其收回，这些操作会导致启动装置出现故障。
- 向下移动节气阀手柄打开节气阀，并重新启动引擎。(F3)
 - 在开始操作前，请让引擎预热数分钟。

补充

- 当停止引擎后需要立即重新启动引擎时，请保持节气阀打开。(F3)
- 过分使用节气阀可能会导致引擎因燃油过多而难以启动。当操作数次均无法启动引擎时，请打开节气阀并反复拉扯启动装置绳索，或者取出火花塞并将其晾干。

停止引擎 (F1)

[HTZ7510]

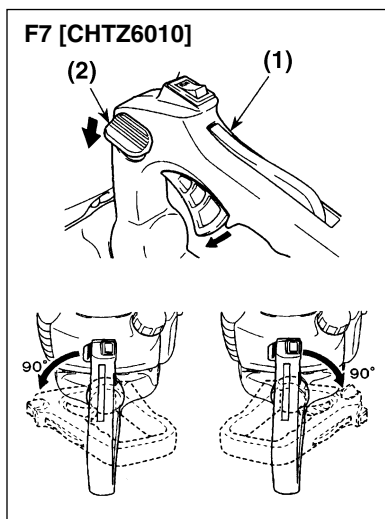
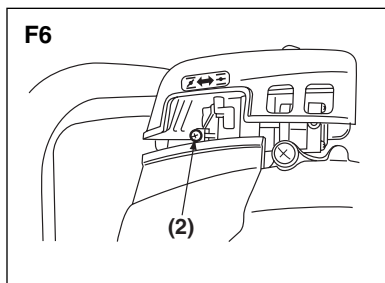
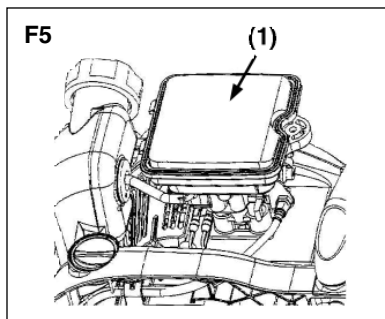
- 请将节流杆完全扳回原处。
- 按下停止开关直至引擎完全停止。

[CHTZ6010]

- 释放节流杆。
- 将引擎开关置于 "O" (停止) 的位置。

补充

引擎在关上开关以后仍然不停转时，关上风门过一会引擎就会停止。

**IMPORTANT****■ RUNNING IN THE ENGINE**

During the first 20 working hours, do not use the hedge-trimmer at maximum power for long periods.

■ ADJUSTING IDLING SPEED

- Before adjusting the carburetor, clean the air filter and warm up the engine. (F5)
- Idle screw is adjusted in order to ensure a good safety margin between idle running and clutch engagement. (F6)

(1) Air filter

(2) Idle screw

▲ WARNING

With the engine idling (3000 rpm), the blade should not rotate. We recommend that you have the dealer or an authorised mechanic carry out any carburetor adjustments.

■ CUTTING WORK**▲ WARNING**

- Weather conditions and altitude may effect carburation.
- Do not allow anyone to stay close to the hedge-trimmer while working or while adjusting the carburetor.

■ HOW TO USE**HANDLE [CHTZ6010 only] (F7)**

To reduce fatigue when trimming hedges, the handle can be swivelled through 90° to the left or right.

Do not press the throttle during this operation!

Proceed as follows:

1. Free the handle by pressing the locking lever.
2. Turn the handle until the locking lever clicks into place.
3. When the handle is locked in its new position, you can apply the throttle again.

(1) Handle

(2) Locking lever

重要**■ 磨合引擎**

在最初 20 个工作小时内，请勿长时间以最大功率运行修枝机。

■ 调整怠速

- 调整气化器之前，请清洁空滤器并预热引擎。
- 调节怠速螺丝以确保怠速运转和离合器启动间保持足够的安全距离。

(1) 空滤器

(2) 怠速螺丝

▲ 警告

当引擎怠速运转 (3000 rpm) 时，刀片不应旋转。我们建议您应由经销商或者授权的维修工进行任何气化器的调整。

■ 切割作业**▲ 警告**

- 气候条件或海拔高度不同可能会影响气化器。
- 在作业或调节气化器时，不得让任何人接近割草机。

■ 使用方法**使用方法 [仅CHTZ6010] (F7)**

操作把手可以从左或从右旋转 90°，以减轻切割时的疲劳。

在该作业时不要压调节阀！

顺序如下：

1. 压下锁定杆放下操作把手。
2. 转动操作把手直到锁定杆到位。
3. 在操作把手锁定在新位置后，即可以重新使用调节阀。

(1) 操作把手

(2) 锁定杆

F8



F9



- Use only as much throttle as is needed to do the job. Excessive engine speed is unnecessary.
- Avoid cutting thick branches, for which will damage the blades and shorten the life of drive systems.
- Tilting the trimmer 5 to 10° to the cutting object will make the job easy and bring a good result.
- Always keep your body to the carburetor side of your trimmer, never on the muffler side.
- When a new machine is first operated, in the first few minutes grease may come out of the gear case. But, since this is excess grease, there is no cause for alarm. Just wipe it off with the engine stopped for next use.

- 为了顺利地进行切割作业，请把节流阀调整到适当程度。不要用过快的速度。
- 请避免切割太粗的树枝。否则会损伤刀片，缩短驱动系统的寿命。
- 切割角度为5度到10度，这样容易切割，作业效率高。
- 切割作业时请不要把身体放到割草机气化器一侧。
- 第一次使用机器时，启动后约数分钟之后可能有润滑油从齿轮箱内流出，这不是故障。再次使用之前，请把润滑油擦干净。

6. MAINTENANCE

English

	System/component	Procedure	Before use	Every 25 hours after	Every 50 hours after	Every 100 hours after	note
ENGINE	fuel leaks, fuel spillage	wipe out	✓				
	fuel tank, air filter, fuel filter	inspect/clean	✓	✓			replace, if necessary
	idle adjusting screw	see ADJUSTING IDLING SPEED	✓				replace carburetor if necessary
	spark plug	clean and readjust electrode gap			✓		GAP: 0.6 – 0.7 mm replace, if necessary
	cylinder fins, intake air cooling vent	clean		✓			
	muffler, spark arrester, cylinder exhaust port	clean			✓		
SHAFT	throttle lever, ignition switch	check operation	✓				
	cutting parts	replace if something's wrong	✓				
	gear case	grease		✓			
	screws/nuts/bolts	tighten/replace	✓			✓	not adjusting screws

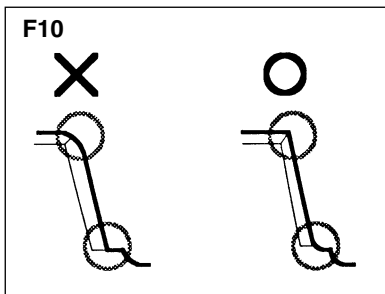
6. 检修

中文

	系统 / 组件	步骤	使用之前	每使用 25 小时后	每使用 50 小时后	每使用 100 小时后	注
引擎	燃油泄漏、燃油溢出	擦拭干净	✓				
	燃油箱、空滤器、燃油滤网	检查 / 清洁	✓	✓			必要时请更换
	怠速调节螺丝	参见调整怠速	✓				必要时请更换化器
	火花塞	清洁并重新调整火花塞间隙			✓		火花塞间隙应为: 0.6 – 0.7 mm 必要时请更换
	汽缸散热片、冷却空气进气口	清洁		✓			
	消声器、火花避雷器、汽缸排气口	清洁			✓		
轴	油门手把、点火开关	检查操作	✓				
	切割部件	若出现问题, 应更换	✓				
	齿轮箱	润滑		✓			
	螺丝 / 螺母 / 螺栓	拧紧 / 更换	✓			✓	非调整螺丝

⚠ WARNING

Before cleaning, inspecting, or repairing the unit, make sure that the engine has stopped and is cool.

**■ BLADE (F10)**

- Check the blade and the fasteners for looseness, cracking, or bending.
- Check the cutting edges and reform with a flat file.

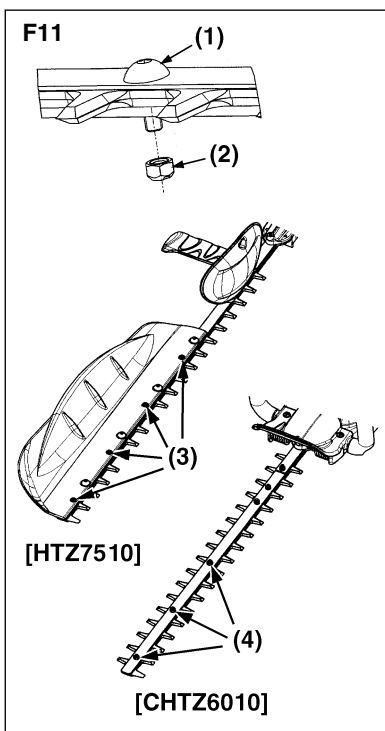
Point:

1. Keep the end corner sharp.
2. Round the root of the edge.
3. Do not use water when using a grinder.

■ ADJUSTING THE BLADE GAPS (F11)

To adjust the blade gaps, proceed as follows.

1. Fully tighten the blade-securing bolts.
2. Loosen the tightened blade-securing bolts by 1/2 ~ 3/4 turns.
3. With the blade-securing bolts loosened as described in step 2, tighten the nuts.
4. Make sure that the upper and lower blade move smoothly.

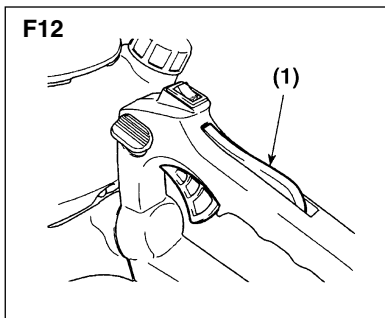
(1) Blade-securing bolt**(2) Nut****(3) Locations for adjusting the blade gaps (4 locations)****(4) Locations for adjusting the blade gaps (3 locations)****■ SAFETY LOCK (F12)****⚠ WARNING**

Stop operation when the safety lock is defective.

Safety lock is the device not to accelerate the throttle lever without intention. While pushing the safety lock, you can accelerate the throttle lever.

(1) Safety lock

1. Check if the throttle lever does not move when you do not push the safety lock.
2. Check if the throttle lever moves when you grasp or release it while pushing the safety lock.

**⚠ 警告**

在清扫、检查或修理之前，务必确认引擎已停止并且冷却。

■ 刀片 (F10)

- 检查刀片和固定件有无松动、裂口和弯曲。
- 检查切口，用斜面扁锉修正。

要点

1. 锯片末端保持锋利。
2. 沿着边缘根部。
3. 使用研磨机时不要用水。

■ 调节刀片间隔 (F11)

请按以下方法调节刀片间隔：

1. 将固定刀片的螺栓拧到最紧。
2. 将拧紧的螺栓往回拧1/2~3/4圈。
3. 在螺栓处于2的状态下，拧紧螺母。
4. 检查上下刀片是否能顺利活动。

(1) 固定刀片的螺栓**(2) 螺母****(3) 刀片间隔调节处 (4处)****(4) 刀片间隔调节处 (3处)****■ 安全锁定装置 (F12)****⚠ 警告**

安全锁定装置有故障时，停止作业。

安全锁定装置锁定时不能加快节流阀。压下安全锁定装置，即可加快节流阀。

(1) 安全锁定装置

1. 检查在没有按下安全锁定装置时，节流杆是否不动。
2. 检查当按下安全锁定装置时，抓起和放松时节流杆是否不动。

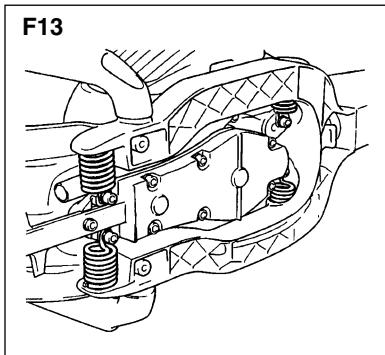
3. Check if the safety lock returns to its original position when you release your hand from safety lock.

If you find any defects at the checks above, contact your nearest servicing dealer for repair.

3. 检查在松开锁定装置，锁定装置是否回到原来位置。

若发现任何问题，请与最近的的修理服务站联系。

F13



■ ANTI-VIBRATION SYSTEM (F13)

▲ WARNING

The deformed or damaged anti-vibration system may cause of the breakages like getting rickety or falling off of engine and/or blade.

- [HTZ7510] Check periodically if the rubber cushions are not deformed or damaged.
- [CHTZ6010] Check periodically if the springs are not deformed or damaged.

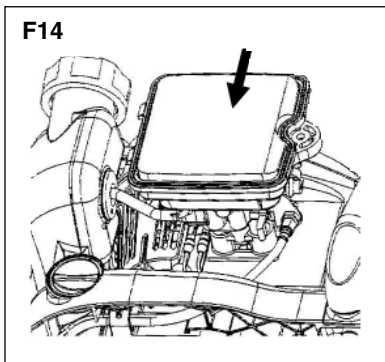
■ 防振系统 (F13)

▲ 警告

变形或损坏的防振会引起引擎或刀片脱离或，机械性能减弱。

- [HTZ7510] 定期检查橡皮垫有无变形或损坏。
- [CHTZ6010] 定期检查弹簧有无变形或损坏。

F14



■ AIR CLEANER (F14)

Release the air cleaner cover and remove dusts.

If the element is dirty, clean it by tapping it or by blowing away the dirt with air.

If the element is deformed or damaged, replace it with new one.

After you have cleaned the element, attach the element to the cleaner body with the stamp towards the outside (towards the cleaner cover). After that, attach the cleaner cover.

IMPORTANT

Clogged air cleaner spoils engine performance. Also, operation with no element or with deformed or damaged element causes irregular wear outs of the engine mechanism.

■ 空气滤清器 (F14)

取下空气滤清器的外罩，除去灰尘。

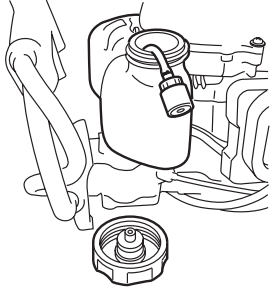
如果部件脏了，请轻拍部件、或吹风除去脏物。如果部件已经变形或破损，请换用新的部件。

清除掉部件上的脏物后，请将部件刻有标记侧朝外（朝滤清器外罩方）装入滤清器主体内。然后装上外罩。

重要

堵塞的空气滤清器会破坏引擎的性能。另外，无部件、或变形或损坏了的部件运转时，会引起引擎机械意外磨损。

F15



■ FUEL FILTER (F15)

When the engine runs short of fuel supply, check the fuel strainer for blockage.

■ 燃料滤网 (F15)

引擎燃料供应不足时，检查燃料滤器的阻塞。

F16



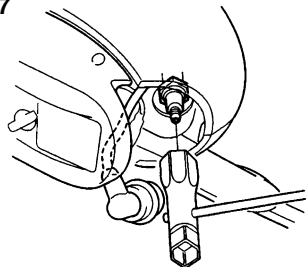
■ WAY OF THE COOLING AIR (F16)

This engine is air-cooled. Dust clogging between the inlet port of the cooling air and cylinder fins will cause overheating of the engine. Periodically check and clean the cylinder fins after removing the air cleaner and the cylinder cover.

■ 空气冷却方法 (F16)

本引擎是气冷式。冷空气输入口和气缸散热片之间被尘埃堵塞时会引起引擎过热。须卸下空气滤清器和气缸罩定期检查 and 清扫气缸散热片。

F17



■ SPARK PLUG (F17)

Starting failure and mis-firing are often caused by a fouled spark plug. Periodically clean the spark plug, and replace with a new one as required.

■ 火花塞 (F17)

不干净的火花塞经常引起发动故障和点火问题。须定期清扫火花塞，按要求更换新品。

IMPORTANT

When dismantling the plug cap, be careful not to take off the seal from the plug cap. Operating the engine without seal may cause overheating of the engine.

重要

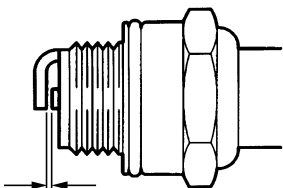
卸下火花塞时，须注意不要将垫圈从火花塞盖上取下。没有垫圈运转引擎时可能引起引擎过热。

IMPORTANT

When setting up the spark plug, screw it by your fingers at first, then tighten by using special plug wrench. Over tightening will damage the cylinder and piston.

重要

安装火花塞时，先用手转动螺丝，然后再用火花塞专用扳手拧紧。拧得过紧会损坏气缸和活塞。



0.6~0.7mm

Tightening Torque:

15.3 ~ 22.4 N.m (150 ~ 220kgf-cm)

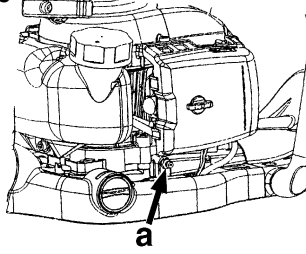
转动力矩

15.3-22.4N.m(150~220kgf-cm)

Type of Plug	Spark Gap
NGK CMR7H or CHAMPION RZ7C	0.6 ~ 0.7 mm

火花塞型号	火花塞盖
NGK CMR7H 或 冠军 RZ7C	0.6~0.7mm

F18



■ GEARCASE (F18)

Supply multi-purpose grease at every **25 hours of use.**

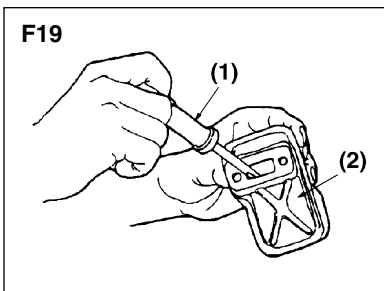
■ 齿轮箱 (F18)

每使用 25 须诸如多用途润滑脂。

1. Use a grease pump.
2. Feed grease until it comes out of the base of blades.(F18-a)

1. 使用润滑脂泵
2. 注入润滑脂直到从刀片箱溢出为止。(F18-a)

F19



■ MUFFLER

AFTER 100 HOURS OF USE

1. Remove the muffler, insert a screwdriver into the vent, and wipe away any carbon buildup. Wipe away any carbon buildup on the muffler exhaust vent at the same time. (F19)

- (1) screw driver
(2) muffler

2. Tighten all screws, bolts, and fittings.
3. Check to see if any oil or grease has worked its way in between the clutch lining and drum, and if it has wipe it away using oil-free, lead-free gasoline.

■ 消声器

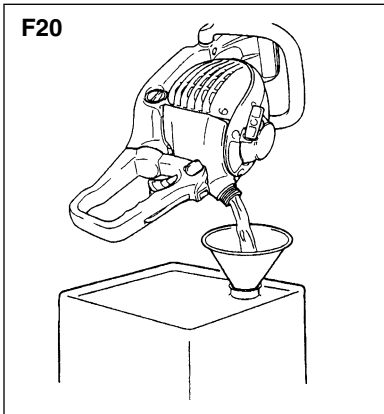
每使用100小时后的保养

1. 卸下消声器，把螺丝刀插进排气口除掉积碳。同时也除掉积在消声器出口上的积碳。(F19)

- (1) 螺丝刀
(2) 消声器

2. 把各部的螺丝拧紧。
3. 请检查离合器和鼓轮之间是否沾油，如果有油时请用混入机油的无铅汽油擦干净。

F20



■ MAINTENANCE BEFORE STORAGE

IMPORTANT

Use a dry rag to wipe any fuel which has been spilled onto the unit. (F20)

1. Extract fuel from the tank and run the engine until it stops naturally.
2. Remove the spark plug and put in 1~2 cc of 2-cycle oil in the engine. Pull the starter rope 2~3 times, set the plug back, and stop it at the contraction position.
3. Apply anti-rust oil to the metal parts such as the throttle wire etc., put the cover on the blade, and keep it indoor avoiding dampness.

■ 长期保管时的保养

重要

放掉燃料时，请注意不要弄撒燃料，请把撒掉的燃料全部擦干净。同时，请把保管容器的盖子拧紧。(F20)

1. 把燃料从燃料罐放掉之后，启动发动机让其自然停止转动。
2. 取下火花塞，往发动机内加1-2cc的2冲程机油。启动2-3次再把火花塞安装好，在压缩位置停止。
3. 往节流丝等金属部上涂防锈油后，把外罩装到刀片上，放到室内没有潮气的地方保管。

Model name	机型名称
..... HTZ7510 [CHTZ6010] HTZ7510 [CHTZ6010]
Type	类型
..... Reciprocating 往复型
..... single-sided 单面
..... [double-sided] [双面]
..... dual blades 双刀片
Blade length	刀片长度
..... 750 [600]mm 750 [600]mm
Engine model	引擎机型
..... Zenoah GZ23N Zenoah GZ23N
Displacement	排气量
..... 23.6cc 23.6 cc
Carburetor	气化器
..... Diaphragm type 隔膜型
Ignition system	点火系统
..... C.D.I C.D.I
Spark plug	火花塞
..... NGK CMR7H NGK CMR7H
Fuel	燃料
..... Mixture 混合
when using ZENOAH genuine oil	如使用Zenoah纯正机油 (FC级)
(FC grade) 50:1 50:1
when using market oil	如使用市面销售的机油 (FB级)
(FB grade) 25:1 25:1
Fuel tank capacity	油箱容量
..... 0.47 litres 0.47公升
Starter	启动装置
..... Recoil starter 反冲式启动装置
Clutch	离合器
..... Centrifugal type 离心式
Reduction ratio	减速比
..... 5.11 5.11
Dry weight	干式重量
..... 5.76 [5.74] kg 5.76 [5.74] kg
Specifications are subject to change without notice.	规格可无预先通知改变。



ZENOAH CO., LTD.

Head Office:

1-9, Minamidai, Kawagoe-city, Saitama, 350-1192 Japan

Telephone: (+81)49-243-1117 Telecopier: (+81)49-243-7197

Free Manuals Download Website

<http://myh66.com>

<http://usermanuals.us>

<http://www.somanuals.com>

<http://www.4manuals.cc>

<http://www.manual-lib.com>

<http://www.404manual.com>

<http://www.luxmanual.com>

<http://aubethermostatmanual.com>

Golf course search by state

<http://golfingnear.com>

Email search by domain

<http://emailbydomain.com>

Auto manuals search

<http://auto.somanuals.com>

TV manuals search

<http://tv.somanuals.com>