

# PRO·FORM<sup>®</sup>

# 9905

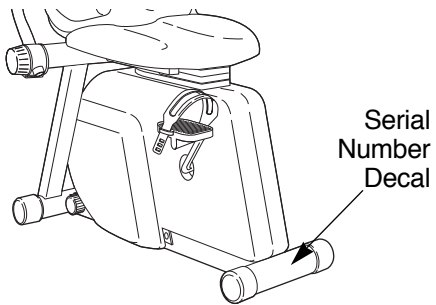
STATIONARY BIKE

# SEARS

**Model No. 831.288300**

**Serial No.** \_\_\_\_\_

Write the serial number in the space above for future reference.



EXERCISE  
EQUIPMENT

QUESTIONS

HELPLINE!

1-800-736-6879



## CAUTION

Read all precautions and instructions in this manual before using this equipment. Keep this manual for future reference.

## USER'S MANUAL

SEARS, ROEBUCK AND CO., HOFFMAN ESTATES, IL 60179

---

## TABLE OF CONTENTS

FULL 90 DAY WARRANTY .....	.2
IMPORTANT PRECAUTIONS .....	.3
BEFORE YOU BEGIN .....	.4
ASSEMBLY .....	.5
HOW TO USE THE PROFORM® 990S .....	.7
CONDITIONING GUIDELINES .....	.10
MAINTENANCE AND STORAGE .....	.12
NOTES .....	.13
PART LIST .....	.14
EXPLODED DRAWING .....	.15
ORDERING REPLACEMENT PARTS .....	.Back Cover

### FULL 90 DAY WARRANTY

For 90 days from the date of purchase, if failure occurs due to defect in material or workmanship in this SEARS BIKE EXERCISER, contact the nearest SEARS Service Center throughout the United States and SEARS will repair or replace the BIKE EXERCISER, free of charge.

This warranty does not apply when the BIKE EXERCISER is used commercially or for rental purposes.

This warranty gives you specific legal rights, and you may also have other rights which vary from state to state.

**SEARS, ROEBUCK AND CO., DEPT. 817WA, HOFFMAN ESTATES, IL 60179**

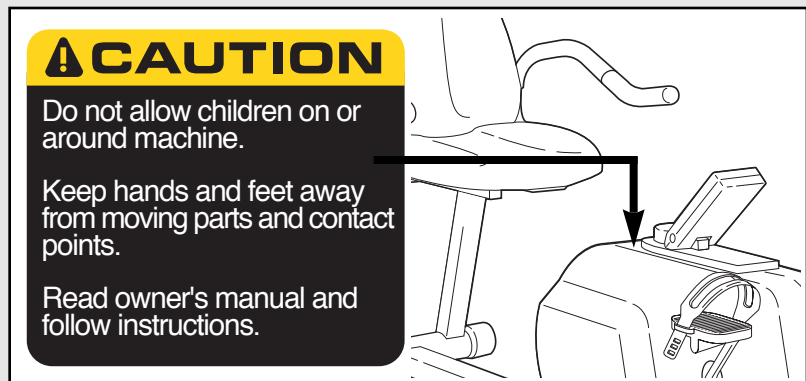
# IMPORTANT PRECAUTIONS

**WARNING:** To reduce the risk of serious injury, read the following important precautions before using the PROFORM® 990S.

1. Read all instructions in this manual before using the 990S.
2. It is the responsibility of the owner to ensure that all users of the 990S are adequately informed of all precautions.
3. Use the 990S indoors, on a level surface. Keep the 990S away from moisture and dust. Place a mat under the 990S to protect the floor or carpet.
4. Inspect and tighten all parts regularly. Replace any worn parts immediately.
5. Keep children and pets away from the 990S at all times.
6. The 990S should not be used by persons weighing more than 250 pounds.
7. Wear appropriate clothing when exercising; do not wear loose clothing that could become caught on the 990S.
8. Always wear athletic shoes when using the 990S.
9. Always keep your back straight when using the 990S. Do not arch your back.
10. If you feel pain or dizziness at any time while exercising, stop immediately and begin cooling down.
11. Use the 990S only as described in this manual.
12. The 990S is intended for in-home use only. Do not use the 990S in a commercial, rental, or institutional setting.

**WARNING:** Before beginning this or any exercise program, consult your physician. This is especially important for persons over the age of 35 or persons with pre-existing health problems. Read all instructions before using. SEARS assumes no responsibility for personal injury or property damage sustained by or through the use of this product.

The decal shown at the right has been placed on the 990S. If the decal is missing, or if it is not legible, please call our toll-free HELPLINE at 1-800-736-6879 to order a free replacement decal. Apply the decal in the location shown.



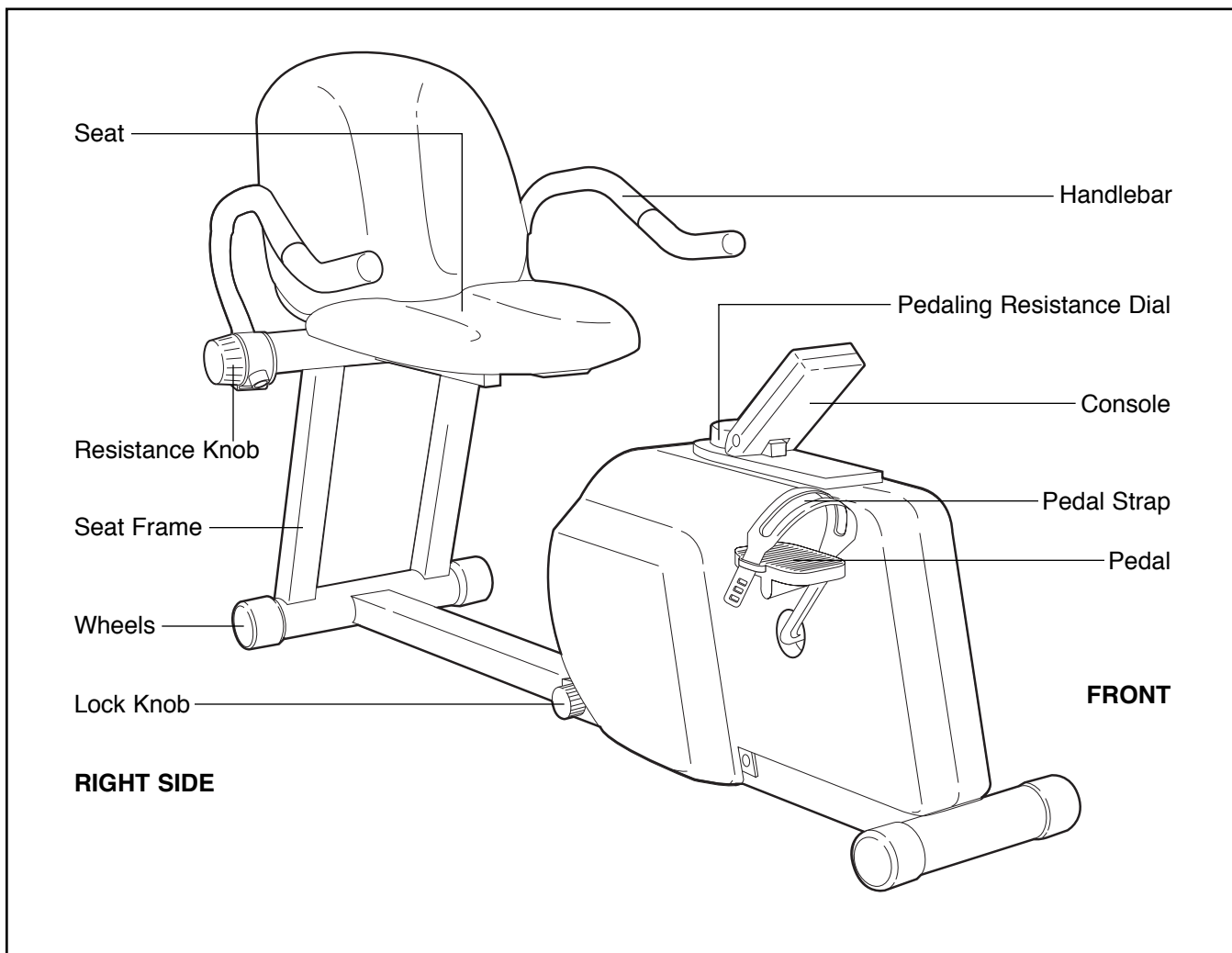
# BEFORE YOU BEGIN

Thank you for selecting the innovative PROFORM® 990S. The 990S offers a unique form of low-impact exercise that works both the upper body and the lower body for greater cardiovascular benefits and increased muscle toning. The 990S features adjustable resistance to let you tailor your exercise to the level that's perfect for you. And when you're not exercising, the 990S can be folded for compact storage.

**For your benefit, read this manual carefully before you use the PROFORM® 990S.** If you have addition-


al questions, please call our toll-free HELPLINE at 1-800-736-6879, Monday through Saturday, 7 a.m. until 7 p.m. Central Time (excluding holidays). To help us assist you, please note the product model number and serial number before calling. The model number is 831.288300. The serial number can be found on a decal attached to the 990S (see the front cover of this manual for the location of the decal).

Before reading further, please look at the drawing below and familiarize yourself with the parts that are labeled.



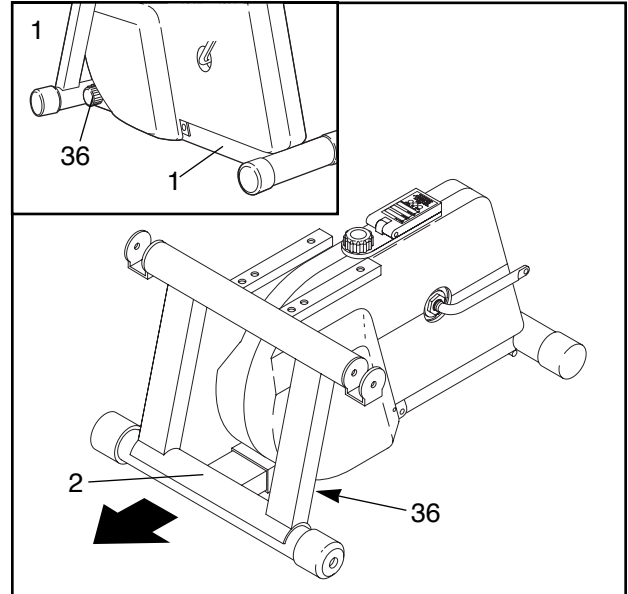
# ASSEMBLY

Place all parts of the PROFORM® 990S in a cleared area and remove the packing materials. **Do not dispose of the packing materials until assembly is completed.**

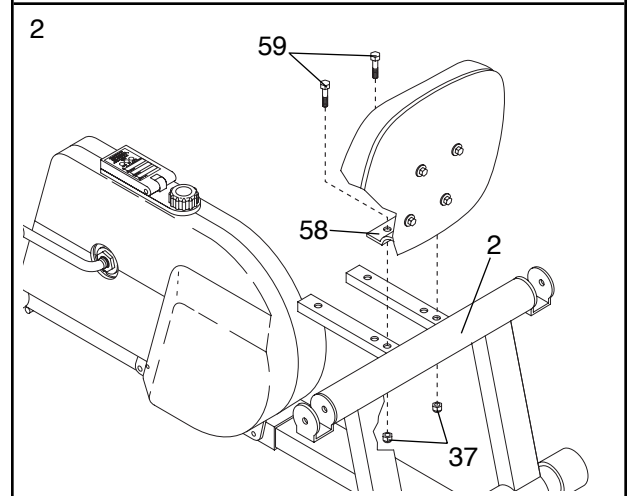
Assembly requires the included tools and your own adjustable wrench .

1. Refer to the inset drawing. Loosen the Lock Knob (36) on the right side of the Frame (1).

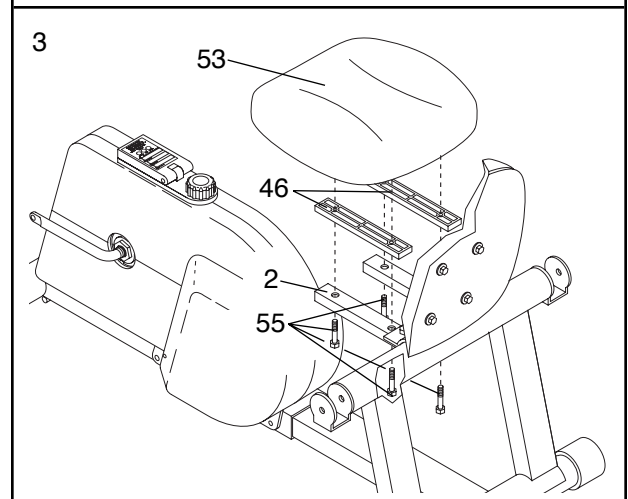
Slide the Seat Frame (2) out until it stops. Retighten the Lock Knob (36).



2. Attach the Seat Bracket (58) to the Seat Frame (2) with the two Seat Bracket Bolts (59) and 3/8" Nylon Locknuts (37).

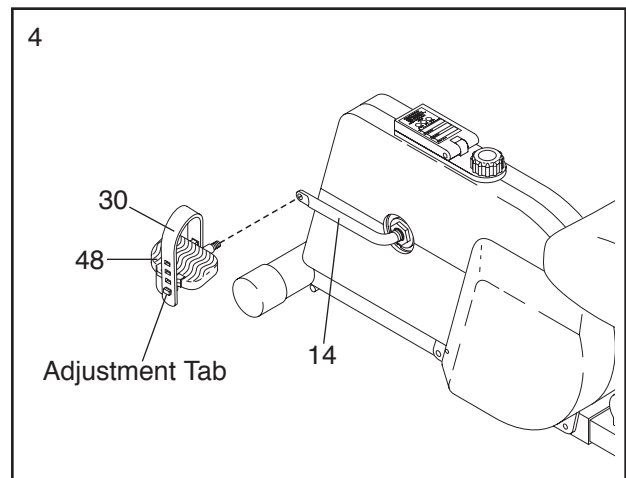


3. Set the two Seat Spacers (46) on the Seat Frame (2). Attach the Seat (53) and the Seat Spacers to the Seat Frame with the four Seat Screws (55).



4. Identify the Left Pedal (48) (there is an “L” on the Left Pedal for identification). Using an adjustable wrench, tighten the Left Pedal counterclockwise into the left arm of the Crank (14). Tighten the Right Pedal (not shown) clockwise into the right arm of the Crank.

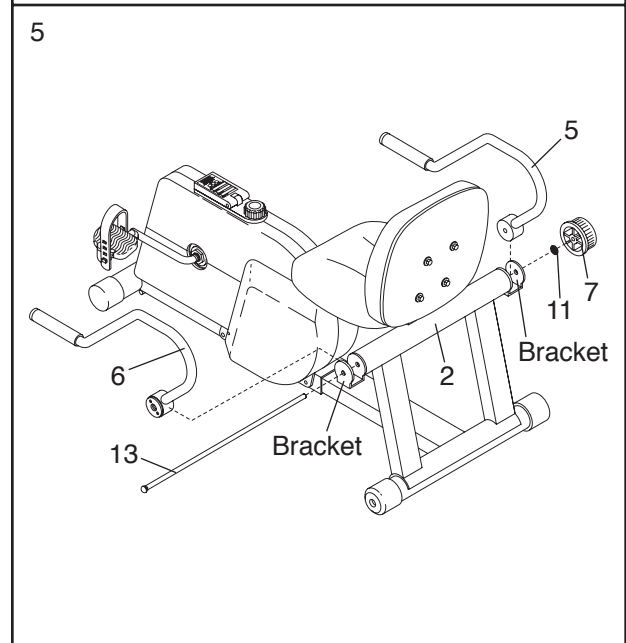
Adjust the Pedal Strap (30) on the Left Pedal (48) to the desired position. Press the Pedal Strap onto the adjustment tab on the Left Pedal. Adjust the Pedal Strap on the Right Pedal (not shown) in the same manner.



5. Remove the four stickers from the brackets on the left and right sides of the Seat Frame (2).

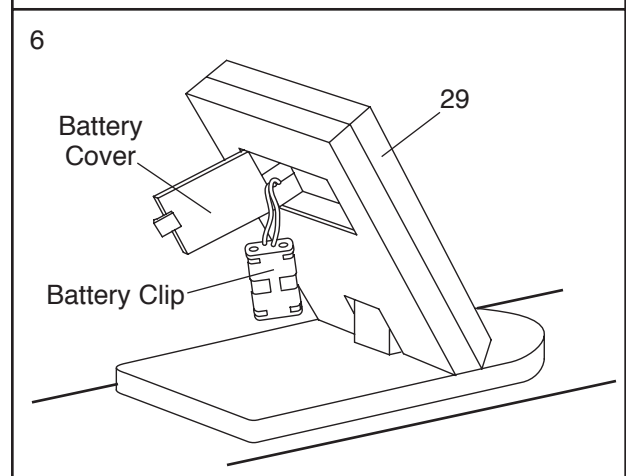
Hold the Left Handlebar (6) inside the left bracket. Insert the Long Carriage Bolt (13) through the bracket and the Left Handlebar. Hold the Right Handlebar (5) inside the right bracket. Insert the Long Carriage Bolt through the bracket and the Right Handlebar. **Make sure that the Handlebars are on the correct sides—the ends should bend outward slightly.** Slide the Star Washer (11) onto the Long Carriage Bolt and tighten the Resistance Knob (7) onto the Long Carriage Bolt. **Make sure that the head of the Long Carriage Bolt is resting in the square hole in the left bracket.**

Note: To attach the Resistance Knob (7) on the left side, reverse the positions of the Long Carriage Bolt (13), Star Washer (11), and Resistance Knob.



6. If there is a rubber band around the Console (29), remove it.

The Console (29) requires two “AA” batteries (not included)—alkaline batteries are recommended. Open the battery cover on the back of the Console. Press two batteries into the battery clip. **Make sure that the negative (–) ends of the batteries are touching the springs.** Place the battery clip in the Console and close the battery cover.

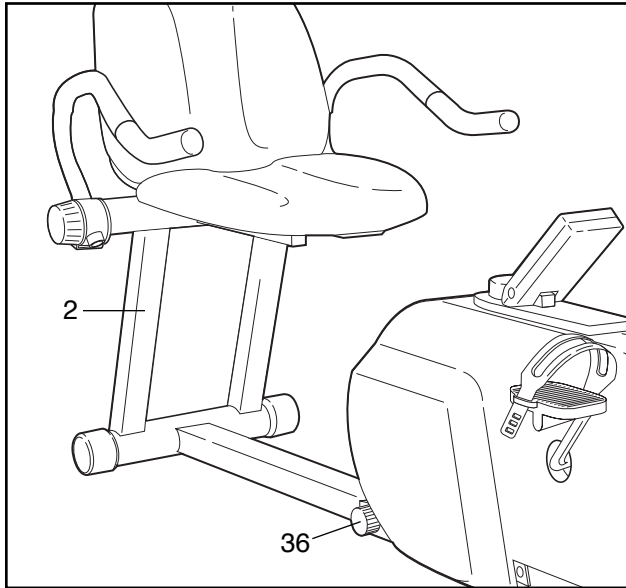


**Make sure that all parts are properly tightened before you use the PROFORM® 990S.**

# HOW TO USE THE PROFORM® 990S

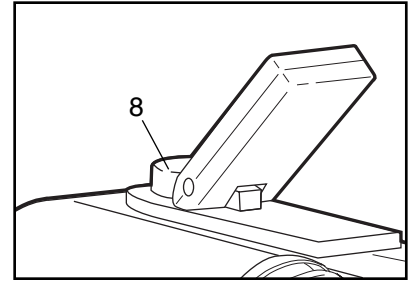
## HOW TO ADJUST THE POSITION OF THE SEAT FRAME

The Seat Frame (2) can be adjusted to the position that is the most comfortable for you. To adjust the Seat Frame, first loosen the Lock Knob (36) on the right side of the frame. Slide the Seat Frame forward or backward to the desired position. Retighten the Lock Knob.



## HOW TO ADJUST THE PEDALING RESISTANCE

The pedaling resistance can be adjusted with the Resistance Dial (8) located in front of the console. To increase the resistance, turn the Resistance Dial clockwise; to decrease the resistance, turn the Resistance Dial counterclockwise.



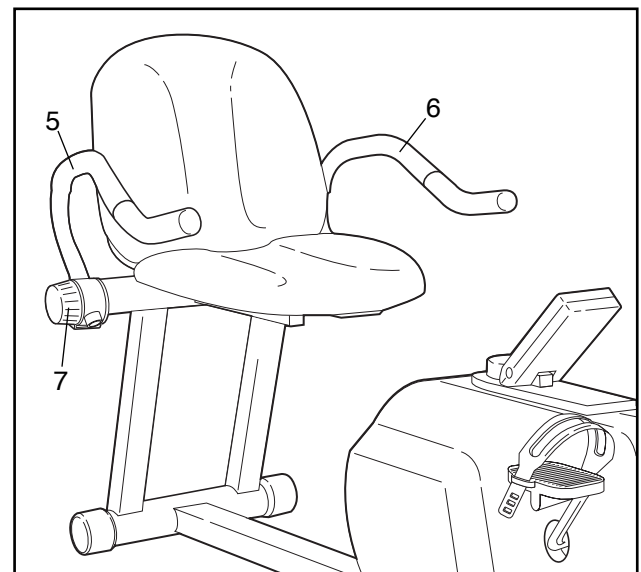
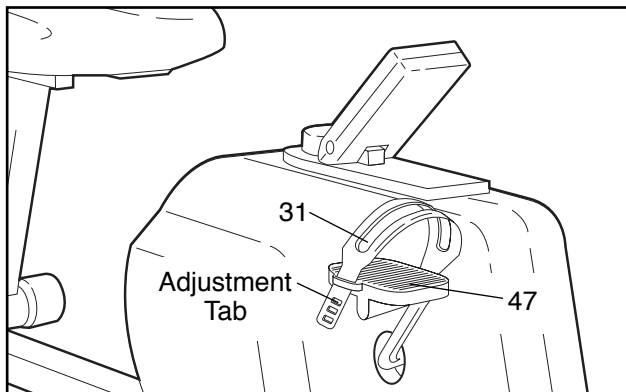
## HOW TO USE THE HANDLEBARS

For lower-body exercise only, hold the Handlebars (5, 6) in a stationary position as you pedal.

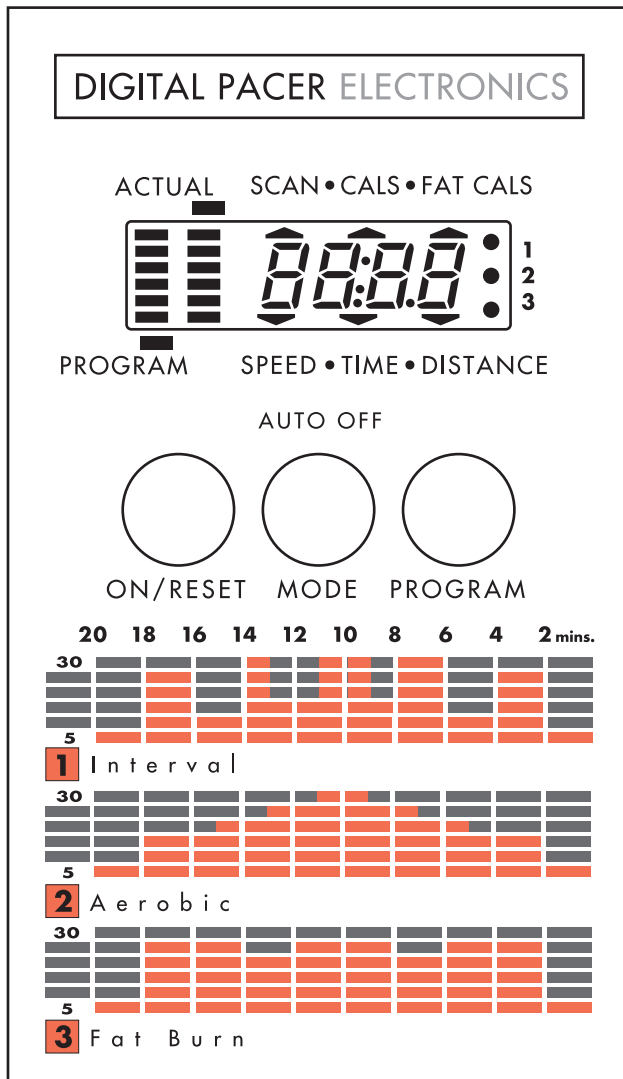
For a full-body workout, move the Handlebars (5, 6) up and down as you pedal. Be sure to keep your back straight and your knees bent slightly. To vary the intensity of your upper body exercise, the resistance of the Handlebars can be adjusted. The resistance is controlled with the Resistance Knob (7). To increase the resistance, turn the Resistance Knob clockwise; to decrease the resistance, turn the Resistance Knob counterclockwise.

## HOW TO ADJUST THE PEDAL STRAPS

To adjust each Pedal Strap (31), first pull the end of the Pedal Strap off the adjustment tab on the Pedal (47). Align a different hole in the Pedal Strap with the adjustment tab. Press the Pedal Strap onto the adjustment tab.



## DIAGRAM OF THE CONSOLE



### DESCRIPTION OF THE CONSOLE

The innovative console offers a manual mode and three pacer programs. The pacer programs are designed to help you achieve specific exercise goals by pacing your exercise. The programs include a stamina-building Interval program, an Aerobic program, and a special Fat Burn program. Whether you select the manual mode or one of the three pacer programs, the console's six monitor modes will provide continuous exercise feedback during your workouts.

### DESCRIPTION OF THE MONITOR MODES

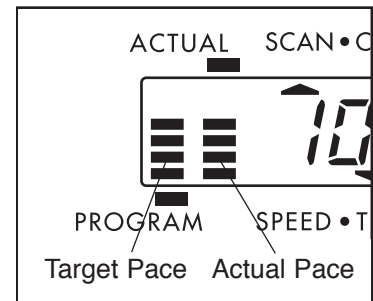
- Speed—This mode shows your pedaling pace, in miles per hour.
- Time—If you select the manual mode, this mode will count up the length of time you have exercised. If you select one of the three pacer programs, this mode will count down the time remaining in the

program. Note: If you stop exercising, the time mode will pause after a few seconds.

- Distance—This mode shows the total distance you have pedaled, up to 99.99 miles. The display will then reset to zero and continue counting.
- Fat calories (FAT CALS)—This mode shows the approximate number of fat calories you have burned. (See FAT BURNING on page 10 for an explanation of fat calories.)
- Calories (CALS)—This mode shows the approximate number of calories you have burned. (This number includes both fat calories and carbohydrate calories. See FAT BURNING on page 10.)
- Scan—This mode displays the calories, fat calories, speed, time, and distance modes, for 5 seconds each, in a repeating cycle.

### HOW THE PACER PROGRAMS OPERATE

When you use a pacer program, two columns of bars will appear in the display. The left column will show a target pace; the right column will show your actual pedaling pace. The



target pace will change periodically during the program; as the target pace changes, simply adjust your pedaling pace to keep both columns at the same height. **Important: The target pace is a goal pace. Your actual pace may be slower than the target pace, especially during the first few months of your exercise program. Be sure to exercise at a pace that is comfortable for you.**

The graphs at the bottom of the console show how the target pace will change during the programs. Look at the graphs for a moment (see the drawing at the left). Each graph is divided into ten columns, with six bars in each column. The columns represent two-minute time periods, and the red bars show what the target pace will be. In the first column of the Interval graph, for example, there is one red bar. This shows that during the first two minutes of the Interval program, the target pace will be about 5 miles per hour (see the scale at the left end of the graph). In the second column there are five red bars. This shows that during the second two-minute time period, the target pace will be about 25 miles per hour. Note: Because there are ten two-minute periods, each program will last for twenty minutes.



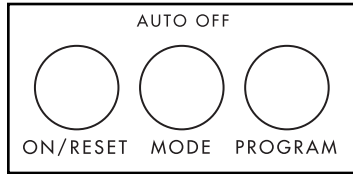
## STEP-BY-STEP CONSOLE OPERATION

**Before the console can be operated, two “AA” batteries must be installed.** (See assembly step 6 on page 6 for installation instructions.) Follow the steps below to operate the console.

### 1 Turn on the power

To turn on the power, press the on/reset button or simply begin pedaling.

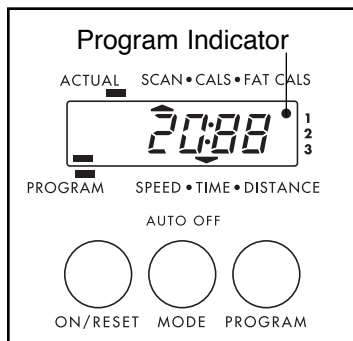
When the power is turned on, the entire display will appear for two seconds. The console will then be ready for use. Note: If batteries were just installed, the power will already be on.



### 2 Select one of the three pacer programs or the manual mode

To select one of the pacer programs, repeatedly press the program button. The program indicator will show which program you have selected.

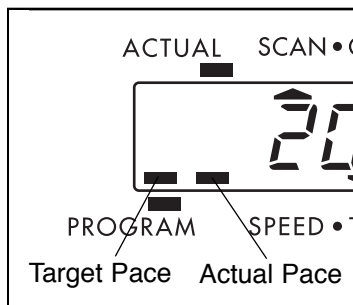
To select the manual mode, press the program button until the program indicator disappears. The programs will be selected in the following order: program 1 (Interval), program 2 (Aerobic), program 3 (Fat Burn), manual mode.



### 3 Begin your workout

If you selected the manual mode, go to step 4. If you selected one of the pacer programs, two columns of bars will appear in the display. The left column will

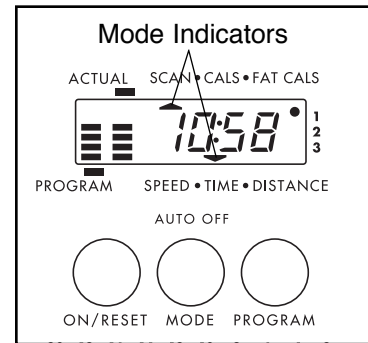
show one bar, showing that the target pace is about 5 miles per hour. The right column will show your actual pace. Adjust your pedaling pace until only one bar appears in the right column. As



the program progresses, the target pace will change periodically; as the target pace changes, adjust your pedaling pace to keep both columns at the same height. **Important: The target pace is a goal pace. Your actual pace may be slower than the target pace, especially during the first few months of your exercise program. Be sure to exercise at a pace that is comfortable for you.**

### 4 Follow your progress with the monitor modes

To select the scan mode, repeatedly press the mode button until a mode indicator appears under the word “scan.” A flashing mode indicator will show which mode is currently displayed.



To select the speed, time, distance, fat calories, or calories mode for continuous display, repeatedly press the mode button until the desired mode indicator appears. (Make sure that the scan mode is not selected.)

If desired, the display can be reset by pressing the on/reset button.

### 5 Turn off the power

To turn off the power, simply wait for about four minutes. If the pedals are not turned and the console buttons are not pressed for four minutes, the power will turn off automatically.

# CONDITIONING GUIDELINES

The following general guidelines will help you to plan your exercise program. Remember that proper nutrition and adequate rest are essential for successful results.

**WARNING: Before beginning this or any exercise program, consult your physician. This is especially important for persons over the age of 35 or persons with pre-existing health problems.**

## EXERCISE INTENSITY

Whether your goal is to burn fat or strengthen your cardiovascular system, the key to achieving the desired results is to exercise with the proper intensity. The proper intensity level can be found by using your heart rate as a guide. The chart below shows recommended heart rates for fat burning, maximum fat burning, and cardiovascular (aerobic) exercise.

20	30	40	50	60	70	80	AGE
165							
145	155						
125	138	145	140				
	120	130	125	130			
		115	110	118	125		
			105	110	110	115	AEROBIC
				95	105	105	MAX. FAT
					90	90	FAT BURN
<i>b.p.m.</i>							

To find the proper heart rate for you, first find your age near the top of the chart (ages are rounded off to the nearest ten years). Next, look below your age and find the three numbers in boxes. The three numbers are your "training zone." The lowest number is the recommended heart rate for fat burning; the middle number is the recommended heart rate for maximum fat burning; the highest number is the recommended heart rate for aerobic exercise.

## Fat Burning

To burn fat effectively, you must exercise at a relatively low intensity level for a sustained period of time. During the first few minutes of exercise, your body uses easily accessible carbohydrate calories for energy. Only after the first few minutes of exercise does your body begin to use stored fat calories for energy. If your goal is to burn fat, adjust the intensity of your exercise until your heart rate is near the lowest number in your training zone as you exercise.

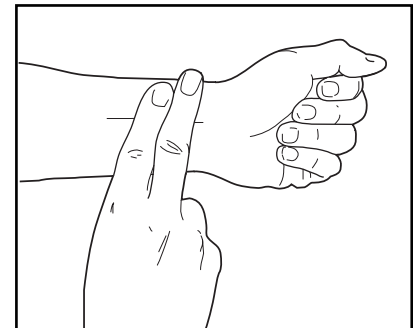
For maximum fat burning, adjust the intensity of your exercise until your heart rate is near the middle number in your training zone as you exercise.

## Aerobic Exercise

If your goal is to strengthen your cardiovascular system, your exercise must be "aerobic." Aerobic exercise is activity that requires large amounts of oxygen for prolonged periods of time. This increases the demand on the heart to pump blood to the muscles, and on the lungs to oxygenate the blood. For aerobic exercise, adjust the intensity of your exercise until your heart rate is near the highest number in your training zone.

## HOW TO MEASURE YOUR HEART RATE

To measure your heart rate, first exercise for at least four minutes. Then, stop exercising and place two fingers on your wrist as shown.



Take a six-second heartbeat count, and multiply the result by 10 to find your heart rate. For example, if your six-second heartbeat count is 14, your heart rate is 140 beats per minute. (A six-second count is used because your heart rate will drop rapidly when you stop exercising.)

Adjust the intensity of your exercise until your heart rate is at the desired level. You can adjust the intensity of your exercise by changing your pedaling pace, adjusting the pedaling resistance, or moving the handlebars as you pedal.

## WORKOUT GUIDELINES

Each workout should include the following three parts:

**A warm-up**, consisting of 5 to 10 minutes of stretching and light exercise. A proper warm-up increases your body temperature, heart rate, and circulation in preparation for strenuous exercise. (See SUGGESTED STRETCHES on page 11.)

**Training zone exercise**, consisting of 20 to 30 minutes of exercise with your heart rate in your training zone.

**A cool-down**, with 5 to 10 minutes of stretching. Thorough stretching helps to prevent problems caused when you stop exercising suddenly. Stretching for increased flexibility is also most effective after exercising. A proper cool-down should leave you feeling relaxed and comfortably tired.

## EXERCISE FREQUENCY

To maintain or improve your condition, plan three workouts each week, with at least one day of rest between workouts. After a few months of regular exercise, you may complete up to five workouts each week, if desired.

Remember, the key to success is make exercise a regular and enjoyable part of your everyday life.

## SUGGESTED STRETCHES

The correct form for several basic stretches is shown in the drawings below. Move slowly as you stretch—never bounce.

### 1. Toe Touch Stretch

Stand with your knees bent slightly and slowly bend forward from your hips. Allow your back and shoulders to relax as you reach down toward your toes as far as possible. Hold for 15 counts, then relax. Repeat 3 times. Stretches: Hamstrings, back of knees, and back.

### 2. Hamstring Stretch

Sit with one leg extended. Bring the sole of the opposite foot toward you and rest it against the inner thigh of your extended leg. Reach toward your toes as far as possible. Hold for 15 counts, then relax. Repeat 3 times for each leg. Stretches: Hamstrings, lower back, and groin.

### 3. Calf/Achilles Stretch

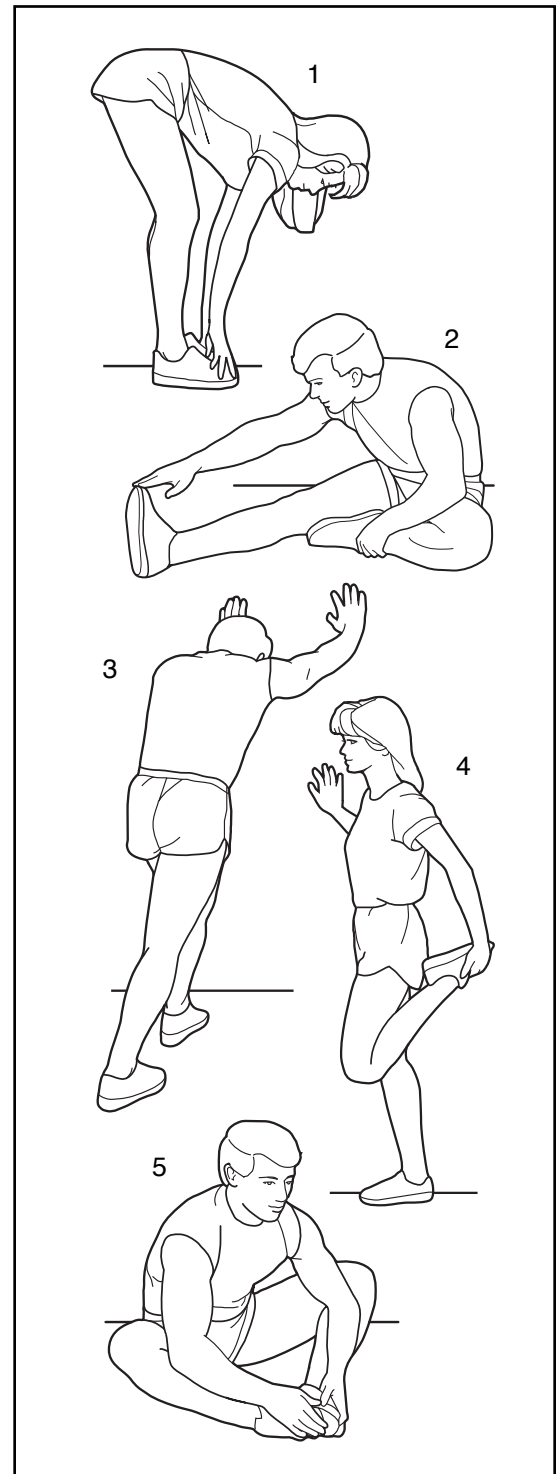
With one leg in front of the other, reach forward and place your hands against a wall. Keep your back leg straight and your back foot flat on the floor. Bend your front leg, lean forward and move your hips toward the wall. Hold for 15 counts, then relax. Repeat 3 times for each leg. To cause further stretching of the achilles tendons, bend your back leg as well. Stretches: Calves, achilles tendons, and ankles.

### 4. Quadriceps Stretch

With one hand against a wall for balance, reach back and grasp one foot with your other hand. Bring your heel as close to your buttocks as possible. Hold for 15 counts, then relax. Repeat 3 times for each leg. Stretches: Quadriceps and hip muscles.

### 5. Inner Thigh Stretch

Sit with the soles of your feet together and your knees outward. Pull your feet toward your groin area as far as possible. Hold for 15 counts, then relax. Repeat 3 times. Stretches: Quadriceps and hip muscles.



# MAINTENANCE AND STORAGE

Inspect and tighten all parts of the PROFORM® 990S regularly. The 990S can be cleaned with a soft, damp cloth. To prevent damage to the console, keep liquids away from the console and keep the console out of direct sunlight.

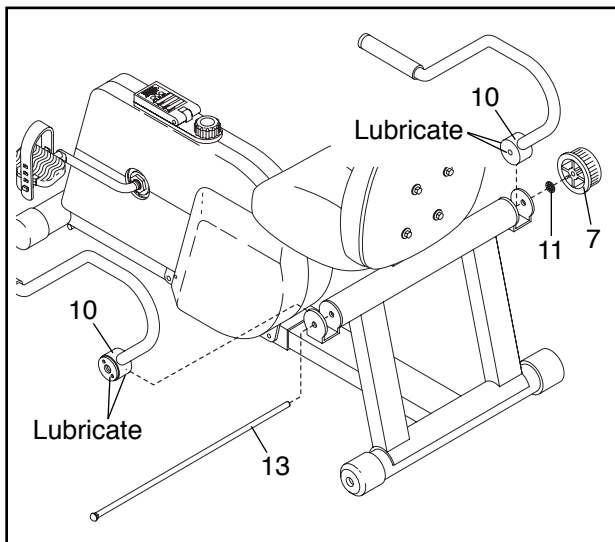
## BATTERY REPLACEMENT

If the console does not function properly, the batteries should be replaced. To replace the batteries, refer to assembly step 6 on page 6.

## HANDLEBAR LUBRICATION

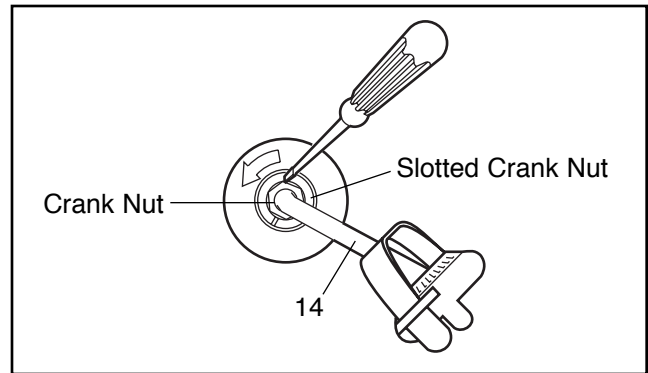
If a squeak is heard when the handlebars are moved, a small amount of grease should be applied.

Turn the Resistance Knob (7) counterclockwise until you can remove it. Remove the Star Washer (11). Using pliers, grip the head of the Long Carriage Bolt (13) and remove it. Apply a thin film of grease to both sides of the Handlebar Housings (10). Reattach all parts, making sure that they are in the positions shown.



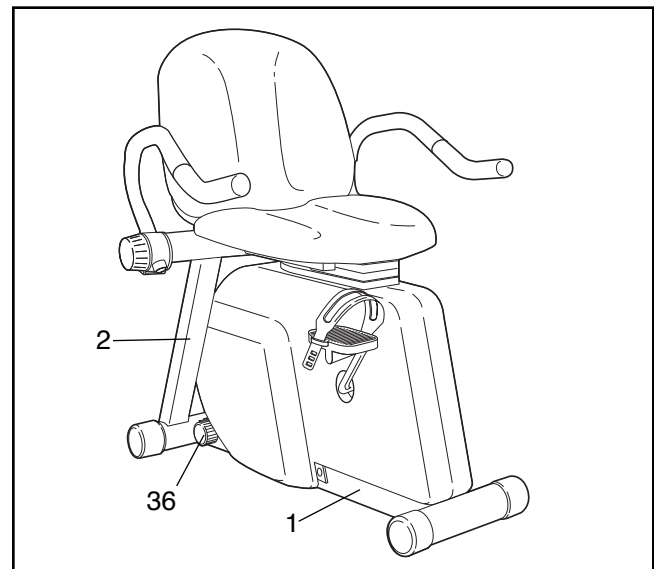
## CRANK ADJUSTMENT

If the arms of the Crank (14) become loose, they should be tightened in order to prevent excessive wear. Loosen the crank nut on the left arm of the Crank. Place the end of a standard screwdriver in one of the slots in the slotted crank nut. Lightly tap the screwdriver with a hammer to turn the slotted crank nut counterclockwise until the arms are no longer loose. **Do not overtighten the slotted crank nut.** When the slotted crank nut is properly tightened, tighten the crank nut.



## HOW TO STORE THE PROFORM® 990S

When the PROFORM® 990S is not in use, it can be folded for compact storage. Refer to the drawing below. Loosen the Lock Knob (36) on the right side of the frame. Slide the Handlebar Frame (2) into the Frame (1) as far as it will go. Tighten the Lock Knob. Store the PROFORM® 990S indoors, away from moisture and dust.



---

# NOTES

# PART LIST—Model No. 831.288300

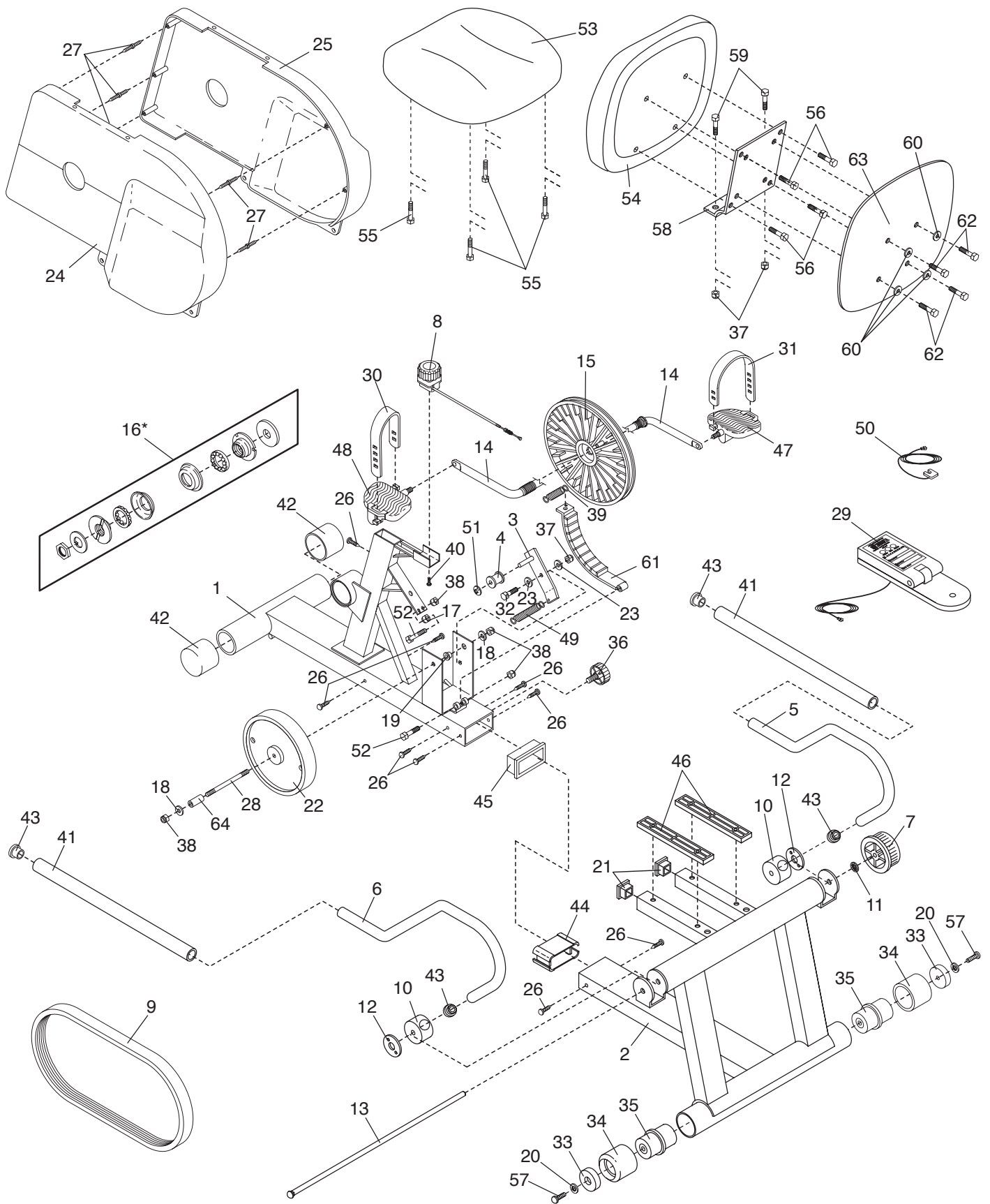
R0497A

Key No.	Qty.	Part No.	Description	Key No.	Qty.	Part No.	Description
1	1	NSP	Frame	34	2	134268	Wheel
2	1	NSP	Seat Frame	35	2	134269	Wheel Bushing
3	1	134613	Idler Bracket	36	1	134272	Lock Knob
4	1	134717	Idler Wheel	37	3	012149	3/8" Nylon Locknut
5	1	134546	Right Handlebar	38	4	012042	M8 Nylon Locknut
6	1	134545	Left Handlebar	39	1	106106	Extension Spring
7	1	134258	Resistance Knob	40	1	013225	M5 Screw
8	1	134274	Resistance Dial Assembly	41	2	134534	Grip
9	1	132699	Belt	42	2	134276	Stabilizer Endcap
10	2	134376	Handlebar Housing	43	4	133918	Handlebar Endcap
11	1	104345	Star Washer	44	1	134277	Seat Frame Bushing
12	2	134273	Friction Pad	45	1	134278	Frame Bushing
13	1	134533	Long Carriage Bolt	46	2	137911	Seat Spacer
14	1	134377	Crank	47	1	134367	Right Pedal w/Strap
15	1	122898	Pulley	48	1	134368	Left Pedal w/Strap
16*	1	110465	Crank Bearing Assembly	49	1	134312	Idler Spring
17	1	012150	M8 Nut	50	1	134602	Reed Switch Wire
18	2	014041	Washer	51	1	128348	Push Nut
19	1	135425	Axle Bushing	52	2	134366	M8 x 60mm Bolt
20	2	136121	Star Washer	53	1	134535	Seat
21	2	133616	Seat Frame Endcap	54	1	134536	Backrest
22	1	134263	Flywheel	55	4	121560	Seat Screw
23	2	014132	M10 Flat Washer	56	4	013468	1/4" x 5/8" Screw
24	1	134374	Left Side Shield	57	2	134316	Wheel Screw
25	1	134375	Right Side Shield	58	1	134539	Seat Bracket
26	9	135426	M4 x 8mm Screw	59	2	137912	Seat Bracket Bolt
27	5	127597	Tree Fastener	60	4	014063	1/4" Flat Washer
28	1	134314	Flywheel Axle	61	1	134317	Magnet Bracket
29	1	132828	Console	62	4	120001	1/4" x 9/16" Screw
30	1	134260	Left Pedal Strap	63	1	134548	Backrest Cover
31	1	134259	Right Pedal Strap	64	1	119222	Flywheel Spacer
32	1	013547	Idler Pivot Bolt	#	1	045004	Tool Set
33	2	134267	Wheel Hub	#	1	134550	User's Manual

Note: "\*" Includes all parts shown in box. "#" indicates a non-illustrated part. Specifications are subject to change without notice. See the back cover of this manual for information about ordering replacement parts.

# EXPLODED DRAWING—Model No. 831.288300

R0497A





Model No. 831.288300

## QUESTIONS?

If you find that:

- you need help assembling or operating the PROFORM® 990S
- a part is missing
- or you need to schedule repair service

call our toll-free HELPLINE

**1-800-736-6879**

Monday–Saturday, 7 am–7 pm  
Central Time (excluding holidays)

## REPLACEMENT PARTS

If parts become worn and need to be replaced, call the following toll-free number

**1-800-FON-PART**  
**(1-800-366-7278)**

The model number and serial number of your PROFORM® 990S are listed on a decal attached to the frame. See the front cover of this manual to find the location of the decal.

All replacement parts are available for immediate purchase or special order when you visit your nearest SEARS Service Center. To request service or to order parts by telephone, call the toll-free numbers listed at the left.

When requesting help or service, or ordering parts, please be prepared to provide the following information:

- The NAME OF THE PRODUCT (PROFORM® 990S)
- The MODEL NUMBER OF THE PRODUCT (831.288300)
- The PART NUMBER OF THE PART (see page 14)
- The DESCRIPTION OF THE PART (see page 14)



## Free Manuals Download Website

<http://myh66.com>

<http://usermanuals.us>

<http://www.somanuals.com>

<http://www.4manuals.cc>

<http://www.manual-lib.com>

<http://www.404manual.com>

<http://www.luxmanual.com>

<http://aubethermostatmanual.com>

Golf course search by state

<http://golfingnear.com>

Email search by domain

<http://emailbydomain.com>

Auto manuals search

<http://auto.somanuals.com>

TV manuals search

<http://tv.somanuals.com>