

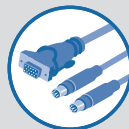
Package Contents



17" Dual-Rail LCD
Rack Console



Side-Rail Kit



VGA, PS/2 Cable Kit



IEC Power Cable



Quick Installation
Guide



Keys

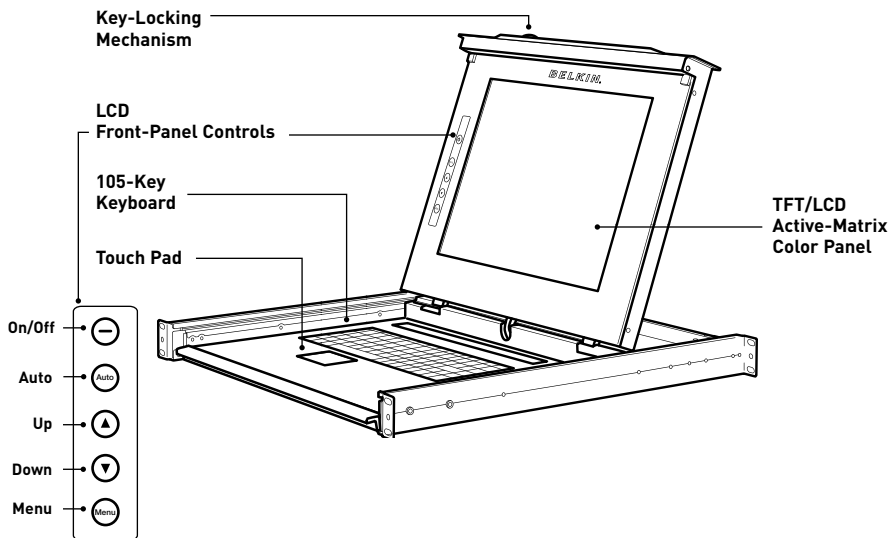
Introduction

This booklet will guide you through the basic steps needed to install the 17" LCD Rack Console with Dual-Rail Technology.

Specifications

Material	Heavy-duty steel
Power	Auto-switching 100 to 240VAC 50 to 60Hz 48 watts
Net Weight	32.6 lbs. (14.8kg.)
Unit Dimensions	19 (W) x 26.3 (D) x 1.70 (H) in. (483.2 x 668.51 x 43.18mm)
Minimum Rack-Mount Depth	26 in. (660.4mm)
Maximum Rack-Mount Depth	36 in. (914.4mm)
Display Type	17" TFT/LCD active-matrix color
Resolution	Up to 1280x1024
Contrast Ratio	450:1
Brightness	250 cd/m2 typical
Pixel Pitch	0.264mm x 0.264mm

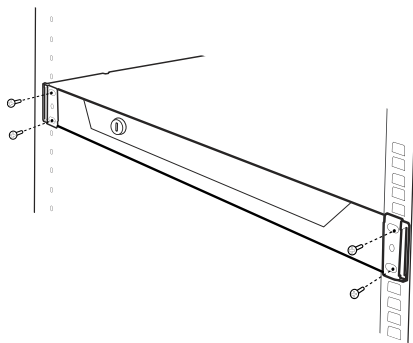
Panel Color	16.7 million display colors
Response Time	Rising 2ms, Decay 14ms
Keyboard Type	Laptop style
Keyboard Connection	PS/2
Mouse Type	Touchpad style
Mouse Connection	PS/2
Operating Life of Individual Keys	8 million cycles
Warranty	2 years



Installation

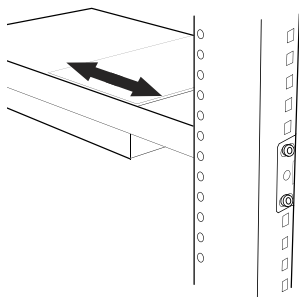
Step 1 Place the console inside the rack.

Step 2 Mount the front brackets to the rack.

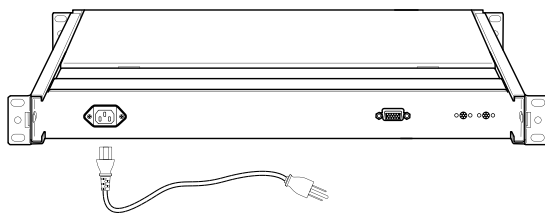


Step 3 Slide the side rails onto the mounting studs.

Step 4 Mount the side rails to the rear of the rack.



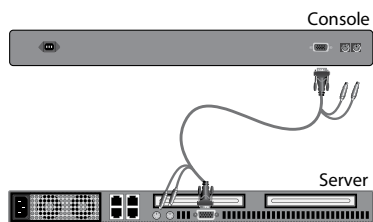
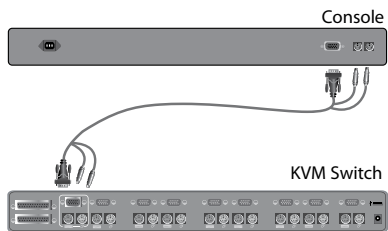
Step 5 Connect the IEC power cable to an active power outlet and power up the Console.



Connecting the KVM Switch or Server

- Step 1** Make sure your KVM switch or server is powered OFF.
- Step 2** Using the included PS/2 KVM Cable Kit, connect one set of VGA and PS/2 connectors to the back of the Console. (Refer to diagrams below.)
- Step 3** Connect the other end of the Cable Kit to the console monitor, keyboard, and mouse ports on your KVM switch or server. (Refer to diagrams below.)
- Step 4** Power ON the Console.
- Step 5** Power ON the KVM switch or server connected to the Console.

You are now ready to use your LCD Rack Console.



The Console offers two power on/off methods:

- a power button on the LCD front-panel console, and
- an LCD power-save (with drawer closure).

Troubleshooting

My Console doesn't appear to be on.

Make sure that the power switch located at the front of the keyboard drawer is “on” and that the power cable is connected properly.

What is the maximum video resolution that the LCD panel supports?

The LCD panel supports a resolution of up to 1280x1024.

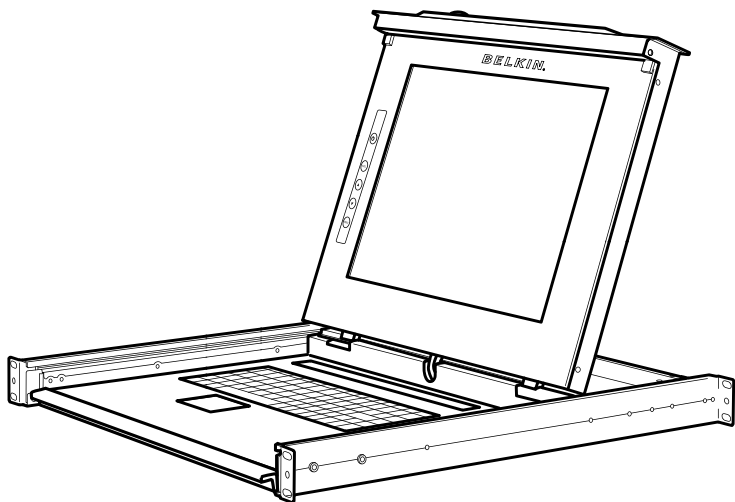
Do I have to install any software to use the Console?

No, the Console does not require any drivers or software to be installed in your computers. Simply connect the Console directly to a computer or to a KVM switch, and it is ready for use.

BELKIN®

**Titan 17" Dual-Rail
LCD Rack Console**

Start Here →



Quick Installation Guide

F1DC101C-US

BELKIN®

Titan 17" Dual-Rail LCD Rack Console

BELKIN®

www.belkin.com

Belkin Tech Support

US: 800-223-5546, ext. 2263

310-898-1100, ext. 2263

UK: 0845 607 77 87

Australia: 1800 235 546

New Zealand: 0800 235 546

Singapore: 65 64857620

Europe: www.belkin.com/support

Belkin International, Inc.

501 West Walnut Street

Los Angeles, CA 90220, USA

310-898-1100

310-898-1111 fax

Belkin Ltd.

Express Business Park, Shipton Way

Rushden, NN10 6GL, United Kingdom

+44 (0) 1933 35 2000

+44 (0) 1933 31 2000 fax

Belkin Ltd.

4 Pioneer Avenue

Tuggerah Business Park

Tuggerah, NSW 2259, Australia

+61 (0) 2 4350 4600

+61 (0) 2 4350 4700 fax

Belkin B.V.

Boeing Avenue 333

1119 PH Schiphol-Rijk, The Netherlands

+31 (0) 20 654 7300

+31 (0) 20 654 7349 fax

© 2008 Belkin International, Inc. All rights reserved. All trade names are registered trademarks of respective manufacturers listed.

Free Manuals Download Website

<http://myh66.com>

<http://usermanuals.us>

<http://www.somanuals.com>

<http://www.4manuals.cc>

<http://www.manual-lib.com>

<http://www.404manual.com>

<http://www.luxmanual.com>

<http://aubethermostatmanual.com>

Golf course search by state

<http://golfingnear.com>

Email search by domain

<http://emailbydomain.com>

Auto manuals search

<http://auto.somanuals.com>

TV manuals search

<http://tv.somanuals.com>