



Quick Start Guide

FriendlyNET GigaNIX™ 2032T
FriendlyNET GigaNIX 2064T



Introduction

Thank you for purchasing an Asanté FriendlyNET GigaNIX Gigabit Ethernet adapter. As Asanté's third-generation Gigabit Ethernet adapter, it uses leading-edge innovations, advanced digital signal processing (DSP), and streamlined software design.

- One adapter for Windows and Linux
- Simplify your network monitoring with Asanté LAN Inspector™ utility
- Improve signal quality and data integrity with AsanteQ™ Link Monitor
- Compatible with all 10/100/1000BaseT hubs, switches and routers

This product comes in two configurations:

- FriendlyNET GigaNIX 2032T Gigabit Ethernet Adapter (32-bit PCI)
- FriendlyNET GigaNIX 2064T Gigabit Ethernet Adapter (32/64-bit PCI)

Packing List

Your package contains the following items:

- (1) FriendlyNET GigaNIX Gigabit Ethernet Adapter
- (1) Quick Start Guide (this document)
- (1) CD-ROM with software, device drivers, and utilities

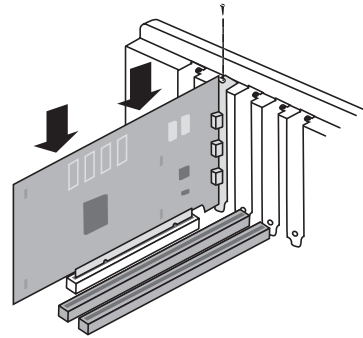
System Requirements

Windows Requirements: Minimum Pentium 200 with 64 MB RAM (or equivalent) with available PCI bus and Microsoft Windows 98, Me, 2000, or XP

Linux Requirements: Minimum Pentium 200 with 64 MB RAM (or equivalent) with available PCI bus and Linux (Kernel 2.2.16 or later)

Installation

Here's how to install this adapter:



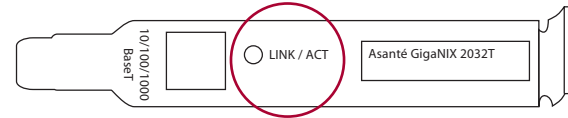
Hardware Installation

1. Turn off the power to the CPU.
2. Insert the adapter into any available PCI slot. Connect the network cable from the hub, switch or router (purchased separately) to the RJ45 port of your adapter.
3. Turn on the power to your computer and allow the computer to start up to the desktop.

Software Installation

1. Insert the provided CD-ROM into your CD-ROM drive.
2. Installing the drivers from the CD-ROM:
 - a. **Windows** - follow the Hardware Installation Wizard and locate the driver on the CD-ROM.
 - b. **Linux** - Compile and install the driver according to the instructions found in the Readme.linux file located in the Linux directory on the CD-ROM.
3. Reboot the computer.

In a few moments, you will see the status of your network with these LED indicators:



Link / Activity - Green LED is solid when there is a valid network connection. Flashes during network activity (transmit or receive).

Visit Asanté online at www.asante.com

Main Corporate Telephone Number
408-435-8388

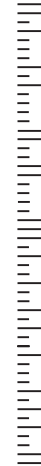
Technical Support
www.asante.com/support

Technical Support Fax
801-566-3787

© 2003 Asanté Technologies, Inc. Asanté, FriendlyNET and IntraCore are registered trademarks of Asanté Technologies, Inc. AsantéFAST, the Asanté logo, GigaNIX, AsantéQ, and LAN Inspector are trademarks of Asanté Technologies, Inc. All other brand names and products are trademarks or registered trademarks of their respective holders. All features and specifications are subject to change without prior notice. 06-00694-00 (11/03)

BUSINESS REPLY MAIL
 FIRST CLASS MAIL PERMIT NO. 4195 SAN JOSE CA
 POSTAGE WILL BE PAID BY ADDRESSEE

REGISTRATION CARDS
 ASANTE TECHNOLOGIES INC
 821 FOX LANE
 SAN JOSE CA 95131-9882



NO POSTAGE
 NECESSARY
 IF MAILED
 IN THE
 UNITED STATES

Asanté Product Registration Card

Name

Title

Company

Address 1

Address 2

City

State

Zip/Postal

Country

Phone

Fax

Email

Date of Purchase

Asanté Part Number

Product Serial Number

To register your Asanté product online, please visit:

<http://www.asante.com/support/registration.html>

Maximize Your Network Performance.

Choose the right Asanté Gigabit Ethernet Switch for your network:



FriendlyNET GX5

Get the latest Gigabit technology without pushing the limits of your budget. Simple, plug-and-go design.



FriendlyNET GX5-W

Upgrade your legacy 10/100 Fast Ethernet networks and add support for multiple Gigabit servers and backbone connections. Web-based configuration provides ease of use at an affordable price.



IntraCore®

Enterprise-class Layer 2 and Layer 3 switches. Stable design and technology with a long product life cycle. Consistent user interface and powerful features.

Product Specifications

Connector: Gigabit Ethernet (1000BaseT, 100BaseTX, 10BaseT): RJ-45

Drivers: Microsoft Windows 98, 98 Second Edition and Me
Microsoft Windows NT and 2000 Professional
Linux
See the Asanté website for the latest drivers

Status Indicators: Link/Activity

Bus Interface: PCI v2.2 bus master
GigaNIX 2032T: 32-bit / 33 MHz
GigaNIX 2064T: 64-bit / 66 MHz

Dimensions: 2.5 x 6.4 inches (63 x 163 mm)

Environmental Range

Operating: 32-104° F (0-40° C), 10-95% (non-condensing)
relative humidity

Power: Maximum 7 W

Standards Compliance

Network: IEEE 802.3ab Gigabit Ethernet over 4 pairs of UTP Category 5 (1000BaseT); Asanté Certified Gigabit Ethernet Cable or EIA/TIA-568A Category 5E recommended.

IEEE 802.3u Fast Ethernet over 2 pairs of UTP Category 5 (100BaseTX).

IEEE 802.3 Ethernet over 2 pairs of UTP Category 3 (10BaseT)

Distance: Recommended maximum distance is 328 feet (100 meters).

Full Duplex: Support for 10/100/1000 Mbps data rates with Auto Negotiation and parallel detection

Regulatory: FCC Class B, CE Mark

Troubleshooting Tips

In the unlikely event your network is not operating properly, follow the troubleshooting tips below.

- Check your adapter card. Is there a green network Link LED on the 10, 100 or 1000 LED? If not, try connecting a "known good" network cable between your switch and the adapter. You should see a Link LED on your switch and your network adapter. The maximum distance from any node (computer, printer, hub, switch, etc.) is 328 feet or 100 meters. Be sure your cable is not coiled, twisted or damaged. When connecting the switch to a computer, be sure your Category 5 UTP cable is wired for straight-through. Note that pins 3 and 6 must use the same twisted pair; these are typically orange/white orange or green/white green.
- Check your cable type. 10BaseT may use Category 3 (or better) cables. 100BaseTX may use Category 5 (or better). 1000BaseT may use Category 5 (or better); Asante Certified Gigabit cables (Category 5E) are recommended
- Check your uplink switch. When connecting to another hub or switch, set the switch to uplink on only one hub/switch and use a standard, straight-through network cable. This switch may be connected to another 10/100 Mbps switch or hub, but it will only run at 10 Mbps.
- Check your computer's software. Check your operating system manual for instructions on configuring your network for file and print sharing.

Need more help?

Consult the Asanté website (www.asante.com) for additional troubleshooting tips and frequently asked questions (FAQs). You may also contact Asanté Technical Support during standard business hours.

Email: www.asante.com/support

Phone: 801-566-8991

Fax: 801-566-3787

Safety and Regulatory Compliance

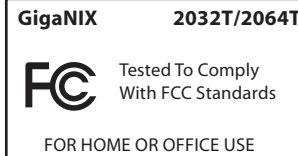
FCC Compliance Statement

NOTE: This equipment has been tested and found to comply with the limits for a Class B digital device, pursuant to Part 15 of the FCC Rules. These limits are designed to provide reasonable protection against harmful interference in a residential installation. This equipment generates, uses and can radiate radio frequency energy and, if not installed and used in accordance with the instructions, may cause harmful interference to radio communications. However, there is no guarantee that interference will not occur in a particular installation. If this equipment does cause harmful interference to radio or television reception, which can be determined by turning the equipment off and on, the user is encouraged to try to correct the interference by one or more of the following measures:

1. Reorient or relocate the receiving antenna.
2. Increase the separation between the equipment and receiver.
3. Connect the equipment into an outlet on a circuit different from that to which the receiver is connected.
4. Consult the dealer or an experienced radio/TV technician for help.

Safety Advisory

1. Always turn off power to your computer before installing hardware.
2. Always practice ESD techniques when installing hardware.
3. Always use this product in a cool, dry, dust-free environment or danger of electrocution or fire may result.
4. Never insert anything other than the recommended cable into the RJ45 port or damage may result.



Free Manuals Download Website

<http://myh66.com>

<http://usermanuals.us>

<http://www.somanuals.com>

<http://www.4manuals.cc>

<http://www.manual-lib.com>

<http://www.404manual.com>

<http://www.luxmanual.com>

<http://aubethermostatmanual.com>

Golf course search by state

<http://golfingnear.com>

Email search by domain

<http://emailbydomain.com>

Auto manuals search

<http://auto.somanuals.com>

TV manuals search

<http://tv.somanuals.com>