

# FAVORIT 44080 i

Dishwasher

User information



## Dear customer,

Please read this User Information carefully and keep it to refer to at a later date.

Pass this User Information on to any subsequent owner of the appliance.

### The following symbols are used in the text:



Safety instructions

**Warning:** Notes that concern your personal safety.

**Attention:** Notes that show how to avoid damage to the appliance.



Useful tips and hints



Environmental information

# Contents

<b>Operating Instructions</b> .....	5
<b>Safety</b> .....	5
<b>Diagram of appliance</b> .....	7
<b>Control panel</b> .....	7
<b>Prior to using for the first time</b> .....	9
Setting the water softener .....	9
Adding special salt.....	11
Filling up with rinse aid.....	12
<b>In daily use</b> .....	15
Loading cutlery and dishes.....	15
Adjusting the height of the upper basket.....	18
Adding detergent.....	19
Using 3in1 detergents.....	21
Selecting the dishwashing cycle (Cycle Table) .....	22
Starting a dishwashing cycle .....	24
Setting the Delay Timer.....	25
Switching off the dishwasher.....	26
<b>Care and cleaning</b> .....	27
<b>What to do if...</b> .....	30
Remedying small malfunctions .....	30
If the dishwashing results are not satisfactory.....	32
<b>Disposal</b> .....	33
<b>Technical data</b> .....	34
<b>Notes for Test Institutes</b> .....	35

---

<b>Installation and connection instructions</b> .....	37
<b>Safety information for the installation</b> .....	37
<b>Installing the dishwasher</b> .....	38
<b>Connecting the dishwasher</b> .....	39
<b>Guarantee Conditions</b> .....	42
<b>Customer Service Centres</b> .....	45
<b>Service</b> .....	47

# Operating Instructions



## Safety

### Prior to using for the first time

- Follow the **"Instructions for installation and connection"**.

### Correct use

- The dishwasher is only intended for washing domestic dishes.
- Additions or modifications to the dishwasher are not permitted.
- Use only special salt, detergent and rinse aid suitable for domestic dishwashers.
- Do not put any solvents in the dishwasher. This could cause an explosion.

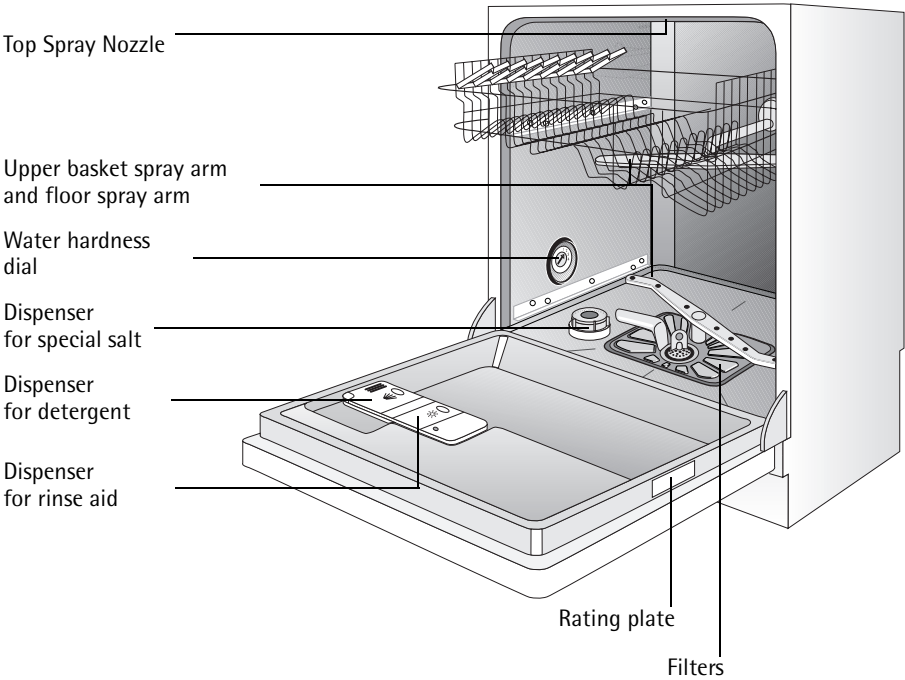
### Child safety

- Keep packaging away from children. There is a risk of suffocation.
- Children often do not recognise the hazards associated with electrical appliances. Don't allow children to use the dishwasher unsupervised.
- Make sure that children and pets don't climb into the dishwasher. Could endanger life!
- Dishwasher detergents can cause chemical burns to the eyes, mouth and throat. Could endanger life! Comply with the safety instructions of the dishwasher detergent manufacturer.
- The water in the dishwasher is not for drinking. Risk of chemical burns.

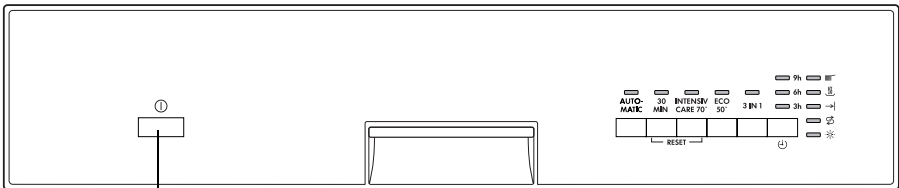
## General safety

- Repairs to the dishwasher are only to be carried out by qualified service engineers.
- When the dishwasher is not being used, switch it off and shut off the water tap.
- Never unplug the appliance by pulling on the cable. Always pull the plug.
- Ensure that the door of the dishwasher is always closed when it is not being loaded or unloaded. In this way you will avoid anybody tripping over the open door and hurting themselves.
- Never sit or stand on the open door.
- If the dishwasher is located in a room where there may be a frost, remove the connection hose from the tap after each use of the dishwasher.

# Diagram of appliance

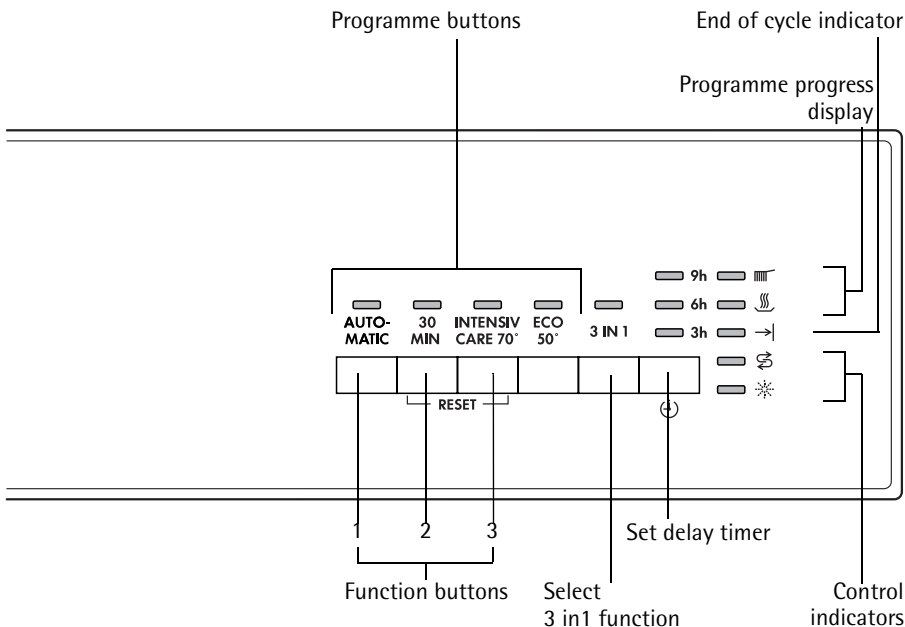


# Control panel



ON/OFF button

The **ON/OFF button** is used to turn the dishwasher on and off.



The **Programme buttons** are used to select the desired dishwashing cycle.

**Function buttons:** In addition to the pre-set dishwashing cycle, the following functions can also be set using these buttons:

<b>Function button 1</b>	Set the water softener
<b>Function button 2</b>	Activates/deactivates rinse aid inflow when 3in1 on
<b>Function button 3</b>	- not programmed -

The rinse aid inflow is only affected, if the 3in1 function is selected.

**Programme progress display:** The current stage of the programme is always shown in the programme progress display.

The **control indicators** have the following meanings:

⊕ <sup>1)</sup>	Refill with special salt
* <sup>1)</sup>	Refill with rinse aid

1) These control indicators are never illuminated while a dishwashing cycle is running.



# Prior to using for the first time

- i** If you wish to use 3 in 1 detergent:
- First read the section "Using 3in1 detergents".
  - Do not fill up with special salt or rinse aid.

If you do not use 3in1 detergent, before using for the first time

1. Set the water softener
2. Fill up with special salt for water softeners
3. Fill up with rinse aid

## Setting the water softener

The water softener must be set manually and electronically:

- i** To avoid scale deposits on the dishes and in the dishwasher, the dishes must be washed with soft water, i.e. water with a low lime content. The water softener must be set according to the table to the water hardness in the area where you live. Your local water company will be able to give you information about the water hardness in your area.

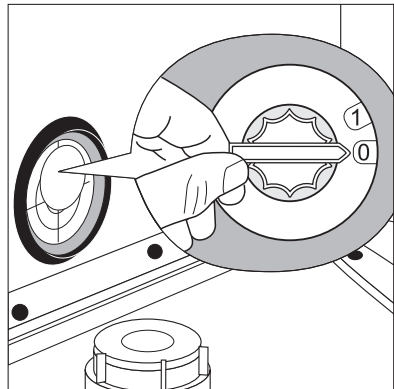
The dishwasher must be switched off.

### Setting manually:

1. Open the dishwasher door.
2. Remove the lower basket from the dishwasher.
3. Turn water hardness dial on the left wall of the dishwasher interior to 0 or 1 (see table).

### Setting electronically:

1. Press the ON/OFF button.



- i** If the only LED indicator illuminated is one that belongs to a programme button, this means that this dishwashing cycle has been activated. The dishwashing cycle must be deselected: Press function buttons **2** and **3** simultaneously for approx. 2 seconds. The LED indicators of all the programme buttons that can be selected light up.
2. Press function buttons **2** and **3** simultaneously and keep them pressed. The LED indicators for function buttons 1 to 3 will flash.

### 3. Press function button 1.

The LED indicator for function button 1 will flash.

The LED indicator for the end of the dishwashing cycle will flash simultaneously:

- The number of times that the LED indicator for the end of the dishwashing cycle flashes corresponds to the hardness setting.
- This sequence of flashes is repeated several times, with a 3 second pause in-between.

### 4. Pressing function button 1 increases the hardness setting by 1 degree. (Exception: hardness setting 1 follows hardness setting 10).

### 5. When the hardness setting is correct, press the ON/OFF button.

The hardness setting is now saved.

If the water softener is set electronically to "1", this switches off the control indicator for special salt.

Water hardness			Adjusting the hardness setting		Number of flashes
in °d <sup>1)</sup>	in mmol/l <sup>2)</sup>	Range	Manual	Electronic	
51 - 70	9,0 - 12,5	IV	1	10 <sup>3)</sup>	10
43 - 50	7,6 - 8,9			9	9
37 - 42	6,5 - 7,5			8	8
29 - 36	5,1 - 6,4			7	7
23 - 28	4,0 - 5,0			6	6
19 - 22	3,3 - 3,9	III	0*	5	5
15 - 18	2,6 - 3,2			4*	4
11 - 14	1,9 - 2,5	II		3	3
4 - 10	0,7 - 1,8	I/II		2	2
below 4	below 0.7	I		1 no salt necessary	1

1) (°d) German degree, measure of the hardness of water

2) [mmol/l] millimol per litre, international unit for water hardness

3) On this setting the length of the dishwashing cycle may be slightly longer.

\*) factory setting

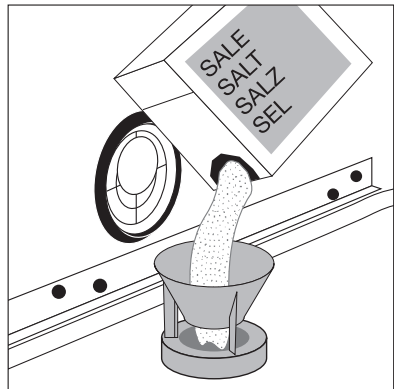
## Adding special salt

To decalcify the water softener, it must be filled up with special salt. Use only special salt suitable for domestic dishwashers.

If you do not use 3 in1 detergent, fill up with special salt:

- Before using the dishwasher for the first time.
- When the control indicator for special salt is illuminated on the control panel.

1. Open the door and remove the lower basket.
2. Screw open the lid on the salt dispenser by turning it anti-clockwise.
3. **Only when using the dishwasher for the first time:**  
Fill the salt dispenser with water.
4. Place the funnel (supplied) over the dispenser opening.  
Fill the dispenser with special salt; the capacity of the dispenser is approx. 1.0-1.5 kg, depending on the size of the grains. Do not overfill the dispenser.



**i** If water overflows when filling up with special salt, this is completely harmless.

5. Clean away any salt remnants from the dispenser opening.
6. Screw the lid back on in a clockwise direction.
7. **Run a dishwashing cycle after filling the salt dispenser with special salt.** This will wash away salt water and salt crystals that have been spilt.

**i** Depending on the size of the salt grains, it can take several hours for the salt to dissolve in the water and for the control indicator for special salt to go out.

## Filling up with rinse aid

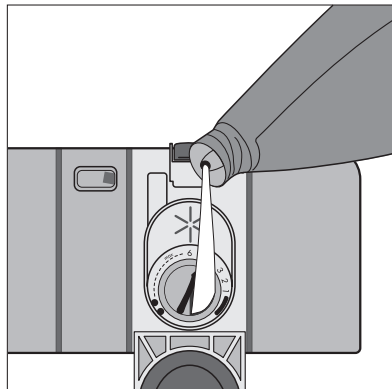
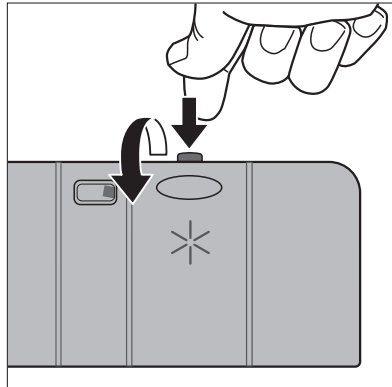
With rinse aid the rinsing water drains away better and so you get smear-free, gleaming dishes and clear glasses.

If you do not use 3in1 detergent, fill up with rinse aid:

- Before using the dishwasher for the first time.
- When the control indicator for rinse aid is illuminated on the control panel.

Use only special rinse aid for dishwashers and no other liquid detergents.

1. Open the door.  
The rinse aid compartment is located on the inside of the dishwasher door.
2. Press the release button on the rinse aid compartment.
3. Open the cover.
4. Pour rinse aid in slowly right up to the broken "max" line; this corresponds to a volume of approx. 140 ml when full.
5. Press the lid shut until it clicks into place.
6. Wipe up any spilt rinse aid with a cloth. Otherwise there will be too much foam when rinsing.

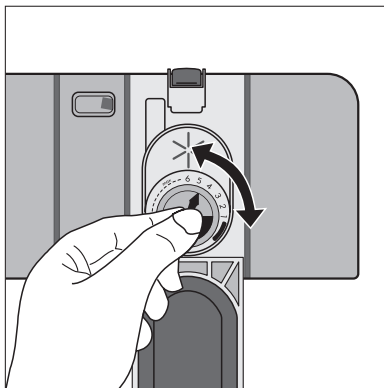


## Setting the amount of rinse aid required



Only change the amount dispensed, if smears, milky spots (reduce the amount) or dried on water spots (increase the amount) can be seen on glasses and dishes. (See section "If dishwashing results are not satisfactory.") The dosage can be set from 1-6. The dosage is pre-set to "4" in the factory.

1. Open the dishwasher door.
2. Press the release button on the rinse aid compartment.
3. Open the cover.
4. Set the dosage level.
5. Press the lid shut until it clicks into place.
6. If rinse aid has leaked out, wipe it away with a cloth.



## Activating rinse aid inflow when 3in1 function is selected

**i** If the 3in1 function is not selected, the rinse aid inflow is always activated.

If the 3in1 function is selected due to the use of 3in1 detergent, the rinse aid inflow is deactivated. If the dishes then do not dry sufficiently, you should re-activate the rinse aid inflow (see also section "Using 3in1 detergents").

1. Press the ON/OFF button.

**i** If the only LED indicator illuminated is one that belongs to a programme button, this means that this dishwashing cycle has been activated. The dishwashing cycle must be deselected:  
Press function buttons **2** and **3** simultaneously for approx. 2 seconds. The LED indicators of all the programme buttons that can be selected light up.

2. Press function buttons **2** and **3** simultaneously and keep them pressed. The LED indicators for function buttons 1 to 3 will flash.

3. Press function button **2**.

The LED indicator for function button **2** will flash.

The indicator for the end of the dishwashing cycle will display the current setting:

Indicator for the end of the cycle is lit:	Rinse aid inflow activated when 3in1 on
Indicator for the end of the cycle is not lit:	Rinse aid inflow deactivated when 3in1 on (factory setting)

4. Pressing function button **2** activates and deactivates the rinse aid dispensing function.

5. When the rinse aid inflow setting is correct, press the ON/OFF button. The setting for the rinse aid inflow is now saved.

# In daily use

## Loading cutlery and dishes



Sponges, cleaning cloths and any other objects that can absorb water must not be washed in the dishwasher. Plastic and Teflon-coated dishes and pans tend to retain water droplets. These dishes and pans therefore do not dry as well as those made of china and stainless steel.

### For washing in the dishwasher, the following cutlery/dishes/pots and pans

are not suitable:	are of limited suitability:
<ul style="list-style-type: none"><li>• Cutlery with wooden, horn, china or mother of pearl handles</li><li>• Plastic items that are not heat resistant</li><li>• Older cutlery with cement that is sensitive to temperature</li><li>• Dishes or cutlery with glued parts</li><li>• Pewter or copper items</li><li>• Lead crystal glass</li><li>• Steel items that rust</li><li>• Wooden boards/platters</li><li>• Items made from synthetic materials</li></ul>	<ul style="list-style-type: none"><li>• Only wash stoneware in the dishwasher if it is specifically marked by the manufacturer as being dishwasher-safe.</li><li>• Glazed patterns may fade if washed very frequently in the dishwasher.</li><li>• Silver and aluminium parts have a tendency to discolour during washing. Food remains, e.g. egg white, egg yolk and mustard often cause discoloration and staining on silver. Therefore always clean food residues from silver immediately, if it is not to be washed straight after use.</li><li>• Glass can become dull after a large number of washes.</li></ul>

- Before loading the dishes, you should:
  - Remove the worst of the food residues.
  - Soak pans with burnt-on food residues.
- When loading the dishes and cutlery, please note:
  - Dishes and cutlery must not impede the rotation of the spray arms.
  - Load bowls, cups, glasses, pans, etc. with the opening downwards so that water cannot collect in them
  - Dishes and items of cutlery must not lie inside one another or cover one another
  - To avoid damage to glasses, they must not touch one another
  - Don't put small items (e.g. lids) in the baskets for the dishes, but in the cutlery basket, so that they can't fall through the holes.

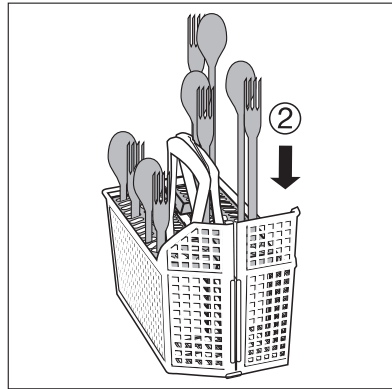
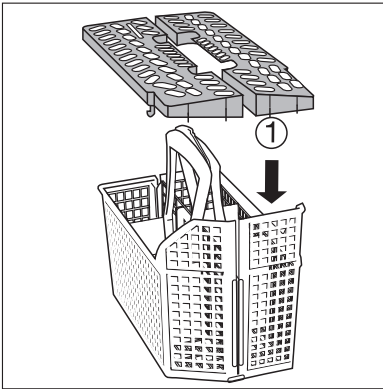
## Loading cutlery



**Warning:** Sharp knives and other items of cutlery with sharp edges must be laid in the cutlery rack or in the upper basket to avoid the risk of injury.

To ensure that all items of cutlery in the cutlery basket can be reached by the water, you should:

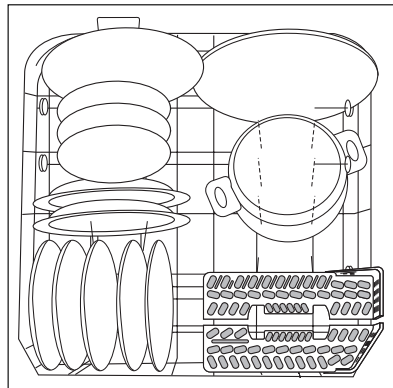
1. Place the grid insert on the cutlery basket
2. Place forks and spoons in the cutlery basket's grid insert with their handles pointing downwards.



For larger utensils, such as whisks, leave off one half of the cutlery grid.

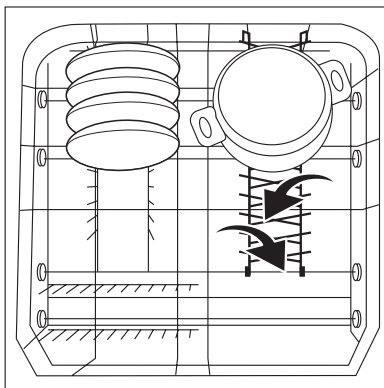
## Pots, Pans, Large Plates

Load larger and heavily soiled dishes and pans in the lower basket. (Max. diameter for plates 29 cm).





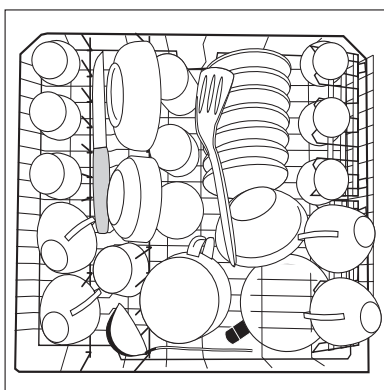
To make it easier to load larger dishes, the two plate rests on the right in the lower basket can be folded down.



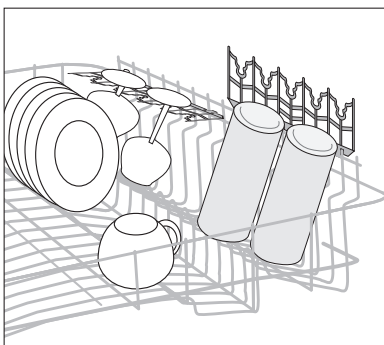
## Cups, Glasses, Coffee Service

Load smaller, fragile crockery and long, sharp cutlery in the upper basket.

- Arrange items of crockery on and under the folding cup racks so that they are offset from each other and water can reach all items.



- The cup racks can be folded up out of the way for tall crockery items.
- Lay or hang wine and brandy glasses in the slots in the cup racks.



## Adjusting the height of the upper basket

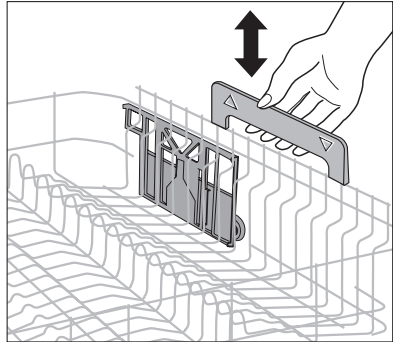
	Maximum height of dishes in the	
	Upper basket	Lower basket
with upper basket raised	22 cm	30 cm
with upper basket lowered	24 cm	29 cm



The height of the baskets can also be adjusted when they are loaded.

### Raising / Lowering the upper basket

1. Pull out the upper basket completely.
2. Holding the upper basket by the handle, raise it as far as it will go and then lower it vertically. The upper basket will latch into the lower or the upper position.



## Adding detergent

Detergents remove the dirt from dishes and cutlery. The detergent must be added before the cycle starts.



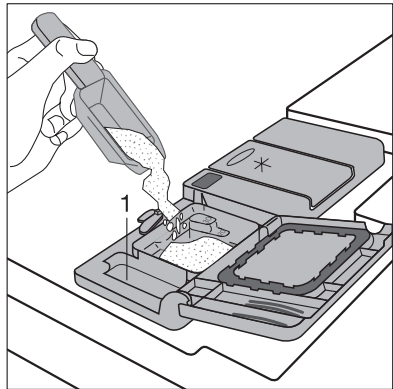
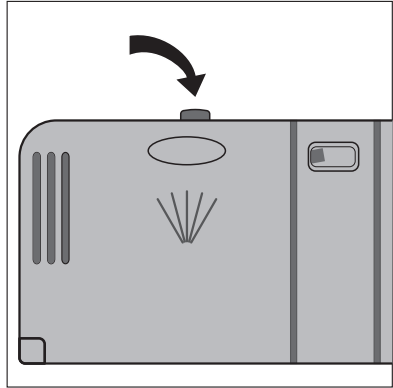
Only use detergent intended for domestic dishwashers.

The detergent compartment is located on the inside of the door.

1. If the lid is closed:  
Press the release button.  
The lid will spring open.
2. Place the detergent in the detergent dispenser. The markings indicate the dosing levels for powder detergents: "20/30" corresponds to approx. 20/30 ml of detergent. Follow the manufacturer's instructions with regard to dosing and storage.
3. Close the lid and press until it locks into place.



In the case of very heavily soiled dishes, fill the adjoining compartment (1) with additional detergent. This detergent comes into use during the pre-wash cycle.



## Concentrated detergents

Today's detergents for dishwashers are almost exclusively low-alkaline concentrated detergents with natural enzymes in tablet or powder form.



Using 50°C dishwashing cycles in conjunction with these concentrated detergents reduces pollution and is good for your dishes, as these dishwashing cycles are specially matched to the dirt-dissolving properties of the enzymes in concentrated detergents. It is for this reason that using 50 °C dishwashing cycles in conjunction with concentrated detergents can achieve the same cleaning results that can otherwise only be achieved using 65 °C cycles.

## Detergent tablets



**Detergent tablets** from different manufacturers dissolve at different rates. For this reason, some detergent tablets do not attain their full cleaning power during short cycles. Therefore please use dishwashing cycles with pre-wash when using detergent tablets.

## Using 3in1 detergents

These products are detergents with a combined cleaning, rinsing and salt function.

When the 3in1 function is activated,

- the addition of special salt and rinse aid from the respective dispenser is prevented.
- If the salt and rinse aid dispensers are empty, this is not indicated.
- The dishwashing cycles can be up to 30 minutes longer.



If you want to use 3in1 detergents, check whether these detergents are suitable for your water hardness. (Follow the manufacturer's instructions.)

### If you want to use 3in1 products

1. Press the ON/OFF button.
2. Press the **3 IN 1** button.

The button indicator lights up: 3in1 function is selected.

Before the start of the dishwashing cycle put 3in1 detergent in the detergent dispenser.



As the rinse aid inflow is automatically switched off when the 3in1 function is activated, it may come about because of the different quality standards in the 3in1 detergent, that the dishes do not dry sufficiently.

If this happens, proceed as follows (see section "Adding rinse aid"):

- Fill up the dispenser (if this is empty) with rinse aid.
- Set rinse aid dosage to "2" mechanically.
- Activate rinse aid inflow.

### If you do not want to use 3in1 products any more

If you want to stop using 3in1 products, please do the following:

- Deactivate the 3in1 function.
- Fill up the dispensers for salt and rinse aid again.
- Switch the water softener to the highest setting and perform up to three normal cycles without loading any dishes.
- Then set the water softener to the water hardness in your area.

### If you want to use 4in1 products

When using "4 in 1" detergents that integrate also anti- glass corrosion agent into "3 in 1" formula, please follow the same indication as given for "3 in 1" detergents.

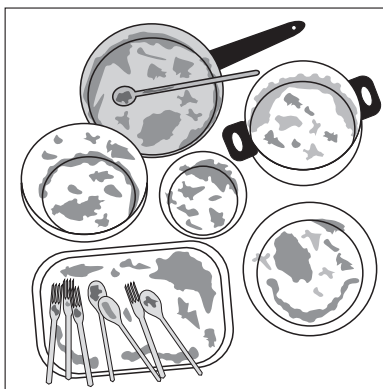
## Selecting the dishwashing cycle (Cycle Table)

Dishwashing-cycle	Suitable for:	Type of soiling	Programme sequence					Consumption values <sup>1)</sup>		
			Pre-wash	Main wash	Intermediate rinse	Final rinse	Drying	Length (minutes)	Energy (kWh)	Water (litres)
<b>AUTOMATIC</b> (50° - 65°) <sup>2)</sup>	Dinner service and cookware	normally soiled, dried-on food remains	•	•	1 to 2x	•	•	90 - 110	1,00 - 1,50	12 - 24
<b>30 MIN</b> (60°) <sup>3)</sup>	Dishes, excluding saucepans	just used, lightly to normally soiled	-	•	-	•	-	30	0,8	9
<b>INTENSIV CARE</b> 70° <sup>4)</sup>	Dinner service and cookware	heavily soiled, dried-on food remains, in particular protein and starch	•	•	2x	•	•	120 - 130	1,80 - 2,00	22 - 24
<b>ECO</b> 50° <sup>5)</sup>	Dinner service and cookware, temperature-sensitive crockery	normally soiled	•	•	•	•	•	130 - 160	0,95 - 1,05	14 - 16

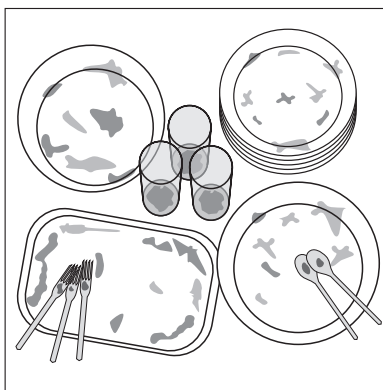
- 1) The consumption values were obtained under standardised conditions. They depend on how full the baskets for the dishes are. Variations are therefore possible in practice.
- 2) When using this cycle the degree of water clouding determines the amount of soiling on the dishes. The length of the cycle and water and energy consumption can vary greatly – depending upon the load and how dirty the dishes are. Depending upon the soiling, the temperature of the water will be automatically adjusted to between 50°C and 65°C.
- 3) When using this cycle, only load the dishwasher half full.
- 4) During the final rinse, the temperature is increased to 68° for 10 minutes to sanitize e.g. babies' bottles, plastic chopping boards or jam jars.
- 5) Test programme for Test Institutes

## Selecting a programme

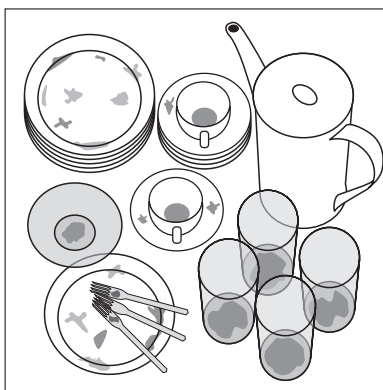
When your dishes look like this, select:  
an intensive programme.



a normal or energy-saving pro-  
gramme.



a short programme (e.g. 30 minute  
programme).



## Starting a dishwashing cycle

1. Check that the spray arms can turn freely.
2. Turn the water tap on fully.
3. Close the door.
4. Press the ON/OFF button.
5. Select the desired cycle.

The programme display lights up. The selected cycle will begin after approximately 3 seconds.

## Interrupting or aborting a dishwashing cycle

Only interrupt a dishwashing cycle that is in progress if it is absolutely necessary.

### Interrupting the dishwashing programme by opening the dishwasher door



Hot steam may escape when the door is opened. There is a risk of scalding.

1. Open the door carefully. The dishwashing cycle will stop.
2. Close the door. The cycle will continue.

### Aborting the dishwashing cycle

1. Press function buttons **2** and **3** and keep them pressed.  
The LED indicators of all the programme buttons that can be selected light up.
2. Release the function buttons. The dishwashing cycle has been cancelled.
3. If you want to start a new cycle, check whether there is any detergent in the dispenser.



Turning off the dishwasher will only interrupt a selected dishwashing cycle, not cancel it. The cycle will recommence after turning the dishwasher back on again.



## Setting the Delay Timer

Using the delay timer you can delay the start of a dishwashing cycle for 3, 6 or 9 hours.

1. Press the ON/OFF button.
2. Press the Delay Timer button repeatedly until the indicator next to the number of hours for which the start of the dishwashing cycle is to be delayed lights up, e. g. 6h, if the cycle is to start in 6 hours.
3. Select dishwashing cycle.

The LED indicator for the programme selected and the indicator next to the number of hours will light up.

The dishwashing cycle will start automatically following a countdown of the hours set.

### **To change the time delay:**

As long as the cycle has not yet started, you can still change the setting by pressing the DELAY TIMER button.

### **Cancelling the delay timer:**

Press the DELAY TIMER button repeatedly until none of the three time displays is lit. The selected dishwashing cycle will begin immediately.

### **To change a dishwashing cycle**

As long as the cycle has not yet started, you can still change the dishwashing cycle. First abort the dishwashing cycle, then re-set the time delay, lastly select the new dishwashing cycle.

## Switching off the dishwasher

Do not switch off the dishwasher until the indicator for the end of the dishwasher cycle is illuminated in the cycle progress display.

1. Press the ON/OFF button. All display indicators will go out.
2. Turn off the water tap.



Carefully open the door. Hot steam may escape.

Hot dishes are sensitive to knocks. Therefore leave the dishes to cool for about 15 minutes before removing them. You also get a better drying result.

## Removing the dishes



It is normal for the inner door and the dispensers to be damp.

- Empty the lower basket first, then the upper basket. This way you avoid dripping water from the upper basket onto dishes in the lower basket.

# Care and cleaning



Do not use furniture care products or aggressive cleaners.

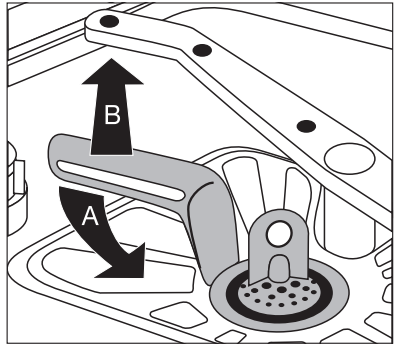
- When necessary, clean the dishwasher's controls with a soft cloth and clean warm water.
- Occasionally check the internal dispensers, door seal and water inlet filter (if fitted) for dirt and clean them, if necessary.

## Cleaning the filters

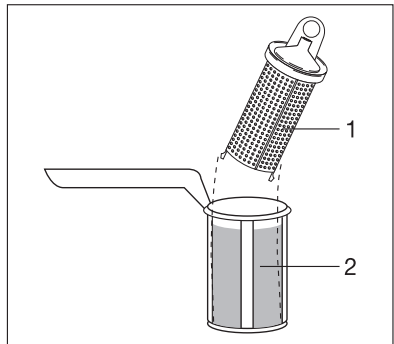


The filters must be regularly checked and cleaned. Dirty filters will spoil the wash results.

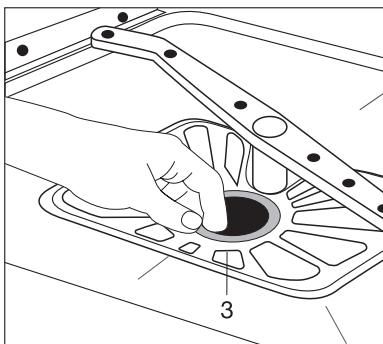
1. Open the door and remove the lower basket.
2. Turn the handle about  $\frac{1}{4}$  of a turn anticlockwise (A) and remove the filter system (B).



3. Grasp the grip hole on the fine filter (1) and remove it from the micro-filter (2).
4. Clean all filters thoroughly under running water.



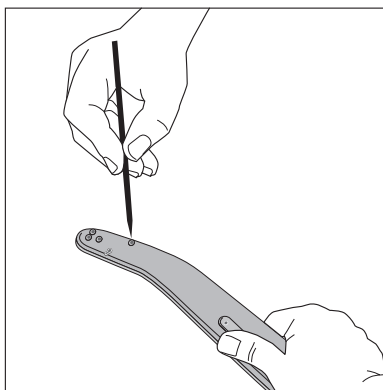
5. Remove the flat filter (3) from the base of the washing compartment and clean both surfaces thoroughly.
6. Re-insert the flat filter.
7. Place the fine filter in the micro-filter and fit the two together.
8. Insert the filter system in place and lock it by turning the handle clockwise as far as it will go. Ensure that the flat filter does not protrude above the base of the washing compartment.



Under no circumstances may the dishwasher be used without its filters.

## Cleaning the spray arm jets

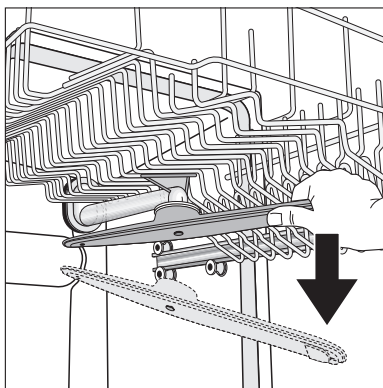
Regularly check the jets in the spray arms for blockages. When cleaning is necessary, remove spray arm from the fixture and clean jets with a pointed object (wire or needle). Then rinse out the spray arm using a strong jet of water.



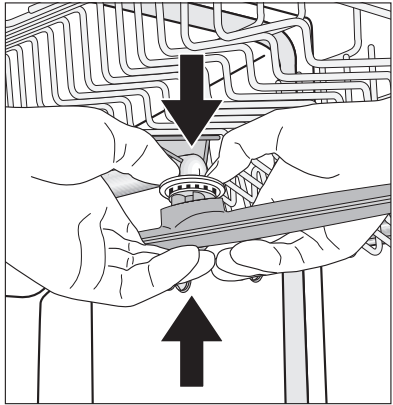
Do not damage the jet opening.

## Upper basket spray arm

1. To remove upper basket spray arm, tilt it down hard.
2. Clean spray arms jets.

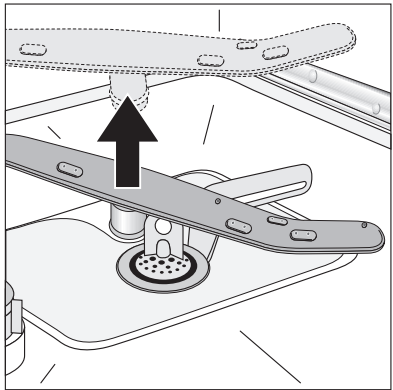


3. Place cleaned upper basket spray arm back in position against the connecting piece: press the two together firmly, until you feel them snap into place.



### Bottom spray arm

1. To remove bottom spray arm, pull it upwards out of its catch.
2. Clean spray arm jets.
3. Place bottom spray arm back in position against connecting piece and press down firmly, until you feel it snap into place.



# What to do if...

## Remedying small malfunctions

If while the appliance is operating indicators on the control panel flash or are lit up as described in the following table, please consult this to find out how to remedy the fault.

After remedying the fault that is flashing in the **first or second rhythm** in the programme progress display, press the button for the dishwashing cycle that had already started. The cycle will continue.

In the case of other fault messages:

- Cancel the dishwashing cycle.
- Switch the appliance off and on again.
- Select dishwashing cycle.

If the fault is displayed again, please contact the Customer Care Department and inform them of the fault message.

Malfunction	Possible cause	Remedy
The programme indicator for the selected dishwashing cycle is flashing, the indicator for the end of the dishwashing cycle is flashing in <b>rhythm 1</b> short light signal with approx. 3 second pause in-between: (Problems with water inlet)	The tap is blocked or furred with lime-scale.	Clean tap.
	The tap is turned off.	Turn the tap on.
	The filter (where present) in the threaded hose fitting on the tap is blocked.	Clean the filter in the threaded hose fitting.
	Filters in the base of the washing compartment are blocked.	Cancel the dishwashing cycle (see chapter: Starting a dishwashing cycle), clean filters (see chapter: Cleaning the filters), then start the dishwashing cycle again.
	Water inflow hose has not been correctly positioned.	Check hose installation.
The programme indicator for the selected dishwashing cycle is flashing, the indicator for the end of the dishwashing cycle is flashing in <b>rhythm 2</b> short light signals one after another.	The sink outlet is blocked.	Clean out sink outlet.
	Water drain hose has not been correctly positioned.	Check hose installation.

Malfunction	Possible cause	Remedy
the indicator for the end of the dishwashing cycle is flashing in <b>rhythm 3</b> short light signals one after another.	The anti-flood system has been triggered.	Turn off the tap and contact the Customer Care department.
The cycle is not starting.	The mains plug is not plugged in.	Plug in mains plug.
	A fuse in the house's wiring system is defective.	Replace fuse.
	For dishwasher models with a delay start timer: A start time has been selected.	If the dishes are to be washed immediately, cancel the delay start.
Rust spots are visible in the dishwashing compartment.	The dishwashing compartment is made from rust-free stainless steel. Rust spots in the dishwashing compartment are due to rust particles from external sources (rust particles from water pipes, pans, cutlery, etc.). Remove such spots with a commercially-available stainless steel cleaning product.	Only wash cutlery, dishes and pans that are suitable for dishwasher use.
A whistling noise can be heard when washing dishes.	The whistling is not a cause for concern.	Decalcify appliance with commercially available agents for cleaning dishwashers. If the noises can still be heard after decalcifying the machine, use a different brand of detergent for washing cutlery and dishes.

## **If the dishwashing results are not satisfactory**

### **The dishes are still dirty.**

- The wrong dishwashing cycle was selected.
- The dishes were loaded in such a way that the dishwashing water did not reach all items. The baskets for the dishes must not be overloaded.
- The filters in the base of the washing compartment are dirty or incorrectly positioned.
- Good quality detergent was not used, or too little was used.
- In the case of scale deposits on the dishes: The special salt dispenser is empty or the water softening system has been incorrectly set.
- The drain hose is incorrectly positioned.
- Pollutants from the water in the dishwasher can block the jets in the spray arms. You have the option of removing the spray arms from their fixture for cleaning (see section "Care and Cleaning").

### **The dishes do not dry and are not shining.**

- Poor quality rinse aid was used.
- The rinse aid dispenser is empty.

### **There are smears, streaks, milky spots or a shiny bluish coating on glasses and dishes.**

- Lower rinse aid dosage.

### **There are dried water drops on the glasses and dishes.**

- Increase rinse aid dosage.
- The detergent may be the cause. Contact the detergent manufacturer's customer advice centre.

### **Glass corrosion**

- Contact the detergent manufacturer's customer advice centre.



# Disposal




## Packaging material

The packaging materials are environmentally friendly and can be recycled. The plastic components are identified by markings, e.g. >PE<, >PS<, etc. Please dispose of the packaging materials in the appropriate container at the community waste disposal facilities.



## Old appliance

The symbol  on the product or on its packaging indicates that this product may not be treated as household waste. Instead it shall be handed over to the applicable collection point for the recycling of electrical and electronic equipment. By ensuring this product is disposed of correctly, you will help prevent potential negative consequences for the environment and human health, which could otherwise be caused by inappropriate waste handling of this product. For more detailed information about recycling of this product, please contact your local city office, your household waste disposal service or the shop where you purchased the product.



**Warning!** When your appliance has finished its working life, remove the plug from the socket. Cut off the cable and plug and dispose of them.

Break the door lock so that the door no longer shuts. This prevents children from trapping themselves inside and endangering their lives.

## Technical data

Capacity:	12 place settings including serving dishes
Permitted water pressure:	1-10 bar (=10-100 N/cm <sup>2</sup> = 0.1-1.0 MPa)
Electrical connection:	230 V, 10 A, also see the rating plate on the right-hand side of the dishwasher's interior door .
Total output	2250 W
<b>Dishwashers that can be integrated and built-in</b>	
Dimensions:	820 - 880 x 596 x 570 (H x W x D in mm)
Max. weight:	50 kg

- CE** This appliance conforms with the following EU Directives:
- 73/23/EEC dated 19.02.1973 Low Voltage Directive
  - 89/336/EEC dated 03.05.1989 EMC Directive inclusive of Amending Directive 92/31/EEC
  - 93/68/EEC dated 22.07.1993 CE Marking Directive

# Notes for Test Institutes

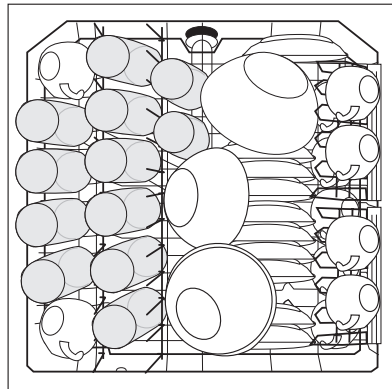
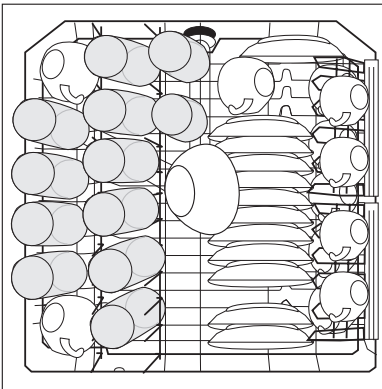
**Testing in accordance with EN 60704** must be carried out with the appliance fully loaded and using the test cycle (see "Cycle Table").

**Tests in accordance with EN 50242** must be carried out when the salt dispenser in the water softener and the rinse aid dispenser have been filled with salt and rinse aid respectively, and using the test cycle (see "Cycle Table").

	<b>Full load:</b> 12 place settings including serving dishes	<b>Half load:</b> 6 place settings including serving dishes, leaving alternate positions in the rack free
Amount of detergent required:	5g + 25g (Type B)	20g (Type B)
Rinse aid setting:	4 (Type III)	4 (Type III)

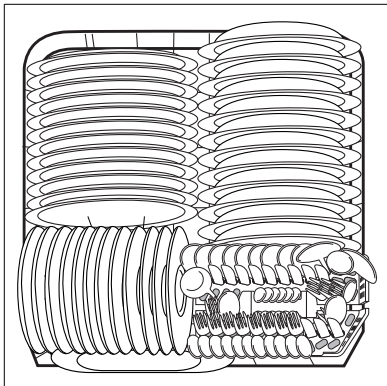
## Example loading arrangements:

Upper basket \*)

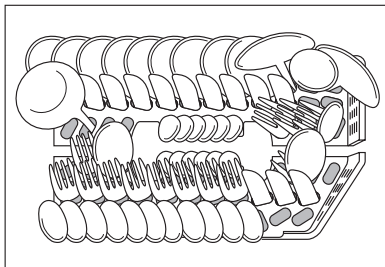


\*) If there are cup racks in place on the lefthand side or the cutlery tray is in place, remove them.

Lower basket with cutlery basket<sup>\*)</sup>



Cutlery basket



<sup>\*)</sup> If there are cup racks in place on the lefthand side or if beer glass holders are in place, remove them.

# Installation and connection instructions

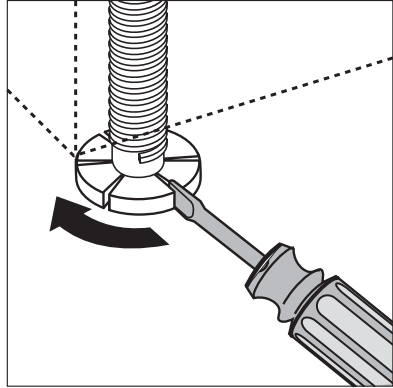


## Safety information for the installation

- Only transport the dishwasher in an upright position, otherwise salt water may run out.
- Before using the dishwasher for the first time, check for any damage caused in transport. Do not under any circumstances connect an appliance that is damaged. In the case of damage, please contact your supplier.
- Never use the dishwasher if the mains cable, water inlet or drain hose are damaged; or if the control panel, work top or plinth area are damaged such that the inside of the appliance is freely accessible.
- Always plug the mains plug into a correctly installed shockproof socket.
- Permanent connection: a permanent connection must only be installed by a trained electrician.
- Prior to using the appliance for the first time, ensure that the rated voltage and type of supply on the rating plate match that of the supply where the appliance is to be installed. The fuse rating is also to be found on the rating plate.
- Multi-way plugs / connectors and extension cables must not be used. This could constitute a fire hazard through overheating.
- The dishwasher's cable must only be replaced by the Customer Care Department or a registered electrician.
- A water inlet hose with safety valve must only be replaced by the Customer Care Department.

# Installing the dishwasher

- The dishwasher must be installed on a firm floor and adjusted to ensure that it is stable and level in all directions.
- To compensate for unevenness in the floor and to match the height of the appliance to that of surrounding units, extend the threaded feet using a screwdriver.
- Adjust the rear feet of the appliance using a cordless screwdriver from the front of the appliance. (See installation instructions.)
- The drain hose, inlet hose and mains cable must be laid so that they are able to move freely within the plinth area, and so that they are not kinked or crushed when the dishwasher is in position.
- The dishwasher must also be screwed tightly to the work surface or to the adjoining units. This is essential to ensure the dishwasher does not tip up.



## Dishwashers that can be integrated

(see installation template supplied)



The door of the appliance can be fitted with a wooden door/cupboard door with the following dimensions:

Width:	591 – 594 mm	
Depth:	16 – 24 mm	
Height: (variable)	dependent on	<ul style="list-style-type: none"> <li>– Recess height</li> <li>– Plinth height</li> <li>– Adjusting the dishwasher to match the height of adjoining units</li> </ul> <p>The exact height must be measured at the place of installation from the adjoining units.</p>
Weight:	max. 8 kg	

# Connecting the dishwasher

## Connecting to the water supply

- The dishwasher can be connected to cold and hot water supplies up to max. 60°C.
- The dishwasher must not be connected to open hot water appliances or instantaneous water heaters.

## Permitted water pressure

Lowest permitted water pressure: 1 bar (=10 N/cm <sup>2</sup> =100 kPa)	Consult your plumber if the water pressure is less than 1 bar.
Highest permitted water pressure: 10 bar (=100 N/cm <sup>2</sup> =1 MPa)	If the water pressure is greater than 10 bar, a pressure reduction valve must be used (available from your dealer).

## Connecting the inlet hose



The water inlet hose must not be kinked, crushed or entangled when it is being connected.

Connect the threaded hose fitting (ISO 228-1:2000) on the water inlet hose to a tap with an external thread (3/4 inch). The inlet hose is fitted with either a plastic or a metal nut:

– **Only** tighten the nut **hand tight**.

Then do a visual check for water tightness. (Make sure that the tap is not dripping.)



So that access to the tap in the kitchen is not restricted by the use of the dishwasher, we recommend installing an additional tap, or fitting a T-branch to the existing tap.

If you need a longer water inlet hose than that supplied, the following VDE-approved complete hose sets are to be used. These are available from your local dealer.

- Hose kit "WRflex 100" (Code: 911 239 034)
- Hose kit "WRflex 200" (Code: 911 239 035)

## Water drainage

### Drain hose

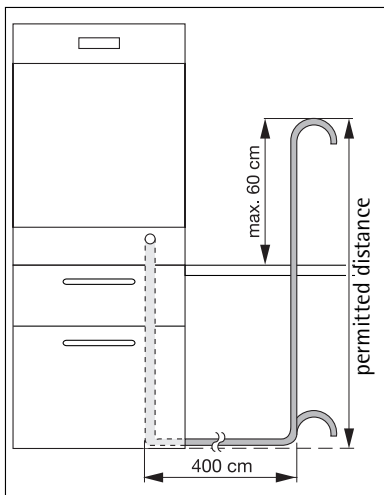


The drain hose must not be kinked, crushed or entangled.

- Connecting the drain hose: maximum permitted height above the bottom edge of the appliance: 60 cm.

### Extension hoses

- Extension hoses are available from your dealer or from our Customer Care Department. To ensure that the function of the appliance is not impeded, the internal diameter of extension hoses must be 19 mm.
- The total length including extension hoses must not exceed 4 metres.



### Sink outlet connection

- The outlet of the drain hose ( $\varnothing$  19 mm) fits all commonly available sink outlet types. The outer diameter of the sink outlet connection must be at least 15 mm.
- The drain hose must be fixed to the sink outlet connection using the hose clamp supplied.

### Anti-flood system

For protection from water damage, the dishwasher is equipped with an anti-flood system.

In the event of a fault, the safety valve in the water inlet hose immediately interrupts the supply of water to the appliance and the drain pump is activated. In this way water can neither escape nor overflow. The remaining water in the appliance is automatically pumped out.



## Electrical connection

Details about the voltage, type of supply and the fuses required are to be found on the rating plate. The rating plate is located on the right-hand inner edge of the dishwasher door.

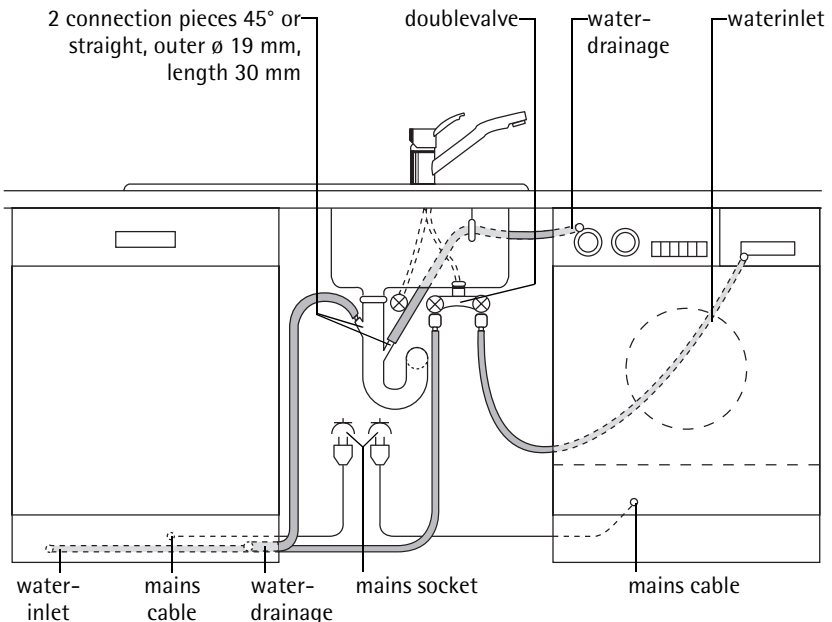
To isolate the dishwasher from the mains, pull out the mains plug.

### Important:

- The plug must be accessible after the appliance has been installed.
- Following installation, live parts and insulated wiring must not be accessible to a test finger in accordance with DIN EN 60335-1.

## Connecting systems

The water inlet hose, drain hose and the mains cable must all be connected to the side of the dishwasher as there is no space for them behind the appliance.



# Guarantee Conditions

## Belgium

### DECLARATION OF GUARANTEE TERMS.

Our appliances are produced with the greatest of care. However, a defect may still occur. Our consumer services department will repair this upon request, either during or after the guarantee period. The service life of the appliance will not, however, be reduced as a result.

This declaration of guarantee terms is based on European Union Directive 99/44/EC and the provisions of the Civil Code. The statutory rights that the consumer has under this legislation are not affected by this declaration of guarantee terms.

This declaration does not affect the vendor's statutory warranty to the end user. The appliance is guaranteed within the context of and in adherence with the following terms:

1. In accordance with provisions laid down in paragraphs 2 to 15, we will remedy free of charge any defect that occurs within 24 months from the date the appliance is delivered to the first end user. These guarantee terms do not apply in the event of use for professional or equivalent purposes.
2. Performing the guarantee means that the appliance is returned to the condition it was in before the defect occurred. Defective parts are replaced or repaired. Parts replaced free of charge become our property.
3. So as to avoid more severe damage, the defect must be brought to our attention immediately.
4. Applying the guarantee is subject to the consumer providing proof of purchase showing the purchase and/or delivery date.
5. The guarantee will not apply if damage caused to delicate parts, such as glass (vitreous ceramic), synthetic materials and rubber, is the result of inappropriate use.
6. The guarantee cannot be called on for minor faults that do not affect the value or the overall reliability of the appliance.
7. The statutory warranty does not apply when defects are caused by:
  - a chemical or electrochemical reaction caused by water,
  - abnormal environmental conditions in general,
  - unsuitable operating conditions,
  - contact with harsh substances.
8. The guarantee does not apply to defects due to transport which have occurred outside of our responsibility. Nor will the guarantee cover those caused by inadequate installation or assembly, lack of maintenance or failure to respect the assembly instructions or directions for use.
9. Defects that result from repairs or measures carried out by people who are not qualified or expert or defects that result from the addition of non-original accessories or spare parts are not covered by the guarantee.
10. Appliances that are easy to transport may be delivered or sent to the consumer services department. Home repairs are only anticipated for bulky appliances or built-in appliances.
11. If the appliances are built-in, built-under, fixed or suspended in such a way that removing and replacing them in the place where they are fitted takes more than half an hour, the costs that result therefrom will be charged for. Connected damage caused by these removal and replacement operations will be the responsibility of the user.
12. If, during the guarantee period, repairing the same defect repeatedly is not conclusive, or if the repair costs are considered disproportionate, in agreement with the consumer, the defective appliance may be replaced with another appliance of the same value. In this event, we reserve the right to ask for a financial contribution calculated according to the length of time it has been used.
13. A repair under guarantee does not mean that the normal guarantee period will be extended nor that a new guarantee period begins.
14. We give a twelve month guarantee for repairs, limited to the same defect.
15. Except in the event where liability is legally imposed, this declaration of guarantee terms excludes any compensation for damage outside the appliance for which the consumer wishes to assert his rights. In the event of legally admitted liability, compensation will not exceed the purchase price paid for the appliance.

These guarantee terms are only valid for appliances purchased and used in Belgium. For exported appliances, the user must first make sure that they satisfy the technical conditions (e.g.: voltage, frequency, installation instructions, type of gas, etc.) for the country concerned and that they can

---

withstand the local climatic and environmental conditions. For appliances purchased abroad, the user must first ensure that they meet the qualifications required in Belgium. Non-essential or requested adjustments are not covered by the guarantee and are not possible in all cases.

Our consumer services department is always at your disposal, even after the guarantee period has expired.

Address for our consumer services department:  
ELECTROLUX HOME PRODUCTS BELGIUM  
Bergensesteenweg, 719 - 1502 LEMBEEK  
Tel.: 02.363.04.44

### **Weitere Kundendienststellen im Ausland**

In diesen Ländern gelten die Garantiebedingungen der örtlichen Partner. Diese können dort eingesehen werden.

### **Further after-sales service agencies overseas**

In these countries our AEG-Electrolux agents' own guarantee conditions are applicable. Please obtain further details direct.

### **Autres agences étrangères assurant le service après-vente**

Dans ces pays, les conditions de garantie des concessionnaires de la région sont valables. Vous pouvez les consulter sur place.

### **Otros puntos de Postventa en el extranjero**

En estos países rigen las condiciones de nuestros representantes locales, las cuales pueden ser consultadas allí mismo.

### **Ulteriori uffici del servizio tecnico assistenza clienti all'estero**

In questi paesi sono valide le condizioni di garanzia dei partner locali. Queste condizioni possono essere esaminate sul luogo.

### **Serviços de assistência técnica no estrangeiro**

Nestes países são válidas as condições de garantia dos concessionários locais, podendo aí ser consultadas.

### **További vevőszolgálati irodák külföldön**

Ezekben az országokban a mi AEG-Electrolux vevőszolgálatainknál saját jótállási feltételek alkalmazhatók. A további adatokat kérjük közvetlenül szerezzék be.

### **Servisne službe**

Na garancijskem listu boste našli seznam pooblaščenih servisnih služb AEG-Electrolux.

# Customer Service Centres

## Belgium

Electrolux Home Products Belgium      Consumer services      **Tel.:** 02/363.04.44      **Fax.:** 02/363.04.00  
 ELECTROLUX SERVICE      02/363.04.60  
 Bergensesteenweg 719  
 1502 Lembeek  
 E-mail:  
 consumer.services@electrolux.be

<b>U.A.E. Abu Dhabi</b> Universal Trading Company P.O. Box 43 99 Tel.: 6335331 Service Center 6733974	<b>Jordan</b> Jordan Household Supply Co. Ltd. P.O. Box 3/68 Amman/Tel.: 69 70 50	<b>Malta</b> ITC International Trading Company White House Building Mountbatte Street Blata L-Bajda/Tel.: 220644
<b>Egypt</b> Middle East Commercial Center 4 Salah El Dein St. - 2nd floor Heliopolis, Kairo Egypt Tel.: 2024181719	<b>Canada</b> EURO-LINE Appliances 2150 Winston PARK Drive 20 Oakville, Ontario L6H 5V1 Tel.: 905 829 3980 Fax: 905 829 3985	<b>Mauritius</b> Happy World Centre Ltd. P.O. 7 54 1 Chausee Street Port Louis Tel.: 25355
<b>Australia</b> The Andi-Co Group 1 Stamford Road Oakleigh VIC 3166 Tel.: (03) 9569 1255 Fax: (03) 9569 1450 www.andico.com.au	<b>Korea (South)</b> Core Incorp. 3/F Chewoo Bldg. 200 Nonhyun-Dong Kangnam-Ku 135-010 Seoul Telefon 82 2 549 89 61	<b>Namibia</b> AEG NAMIBIA (PTY) LIMITED-Jeppe Street Northern Industrial Area Windhoek Tel.: (061) 21-6082/4 Fax: (061) 217838
<b>Bahrain/Arabian Gulf</b> A.A. Zayani & Sons P.O. Box 9 32 Bahrain Tel.: 17311124	<b>Croatia</b> Electrolux D.O.O. Suplova 7 10000 Zagreb Tel.: 1 61 19512 Fax: 1 61 19513	<b>New Zealand</b> Monaco Corporation Ltd. 10 Rothwell Avenue Albany - Auckland 4399 Auckland 1 New Zealand Tel.: 00 64-92 59 11 11 Fax: 00 64-92 59 11 12
<b>Bulgaria</b> Electrolux Bulgaria E.O.O.D. 91 Levski Blvd. 1000 Sofia Tel.: 2 806676 Fax. 2 980 5276	<b>Kuwait/Arabian Gulf</b> Ali Al-Ghanim Est. P.O. Box 21540 - Safat Tel.: 4822190 Fax: 4820116	<b>Syria</b> WATTAR CO. P.O. Box 36109 Mazzeh - Damascus Direct Phone: 00963116132649 Fax: 00963116119537
<b>Cyprus</b> Hadjikyrlakos & Sons Ltd. Prodromou 121 P.O. Box 21587 Nicosia 1511 Service Telephones: Nicosia 02 481226 Limassol 05 562182 Larnaca 04 633929 Paphos 06 932 699	<b>Lebanon</b> Adib & Assaferi P.O. Box 539 Tripoli	<b>Iran</b> ARIAN International Develop- ment Co. AEG Showroom Shariati, Balatar as Safar Teheran / Iran Phone No. Showroom: 021 / 285 513 / 4 Phone No. Service: 021 / 312 27 67 / 8

<p><b>Estonia</b> Electrolux Estonia Ltd. Mustamäe tee 24 EE0006 Tallinn Tel.: (372) 6 650 090 Fax: (372) 6 650 092</p>	<p><b>Latvia</b> Electrolux Latvija Ltd. Kr.Barona iela 130/2 Riga, LV-1012 Tel.: 371 7313626 Fax: 371 7845954</p>	<p><b>Poland</b> Electrolux Poland Sp. zo.o. ul. Domaniewska 41 02-034 Warszawa tel.: 022 874 33 33 fax: 022 874 33 00</p>
<p><b>Hong Kong</b> Dah Chong Hong Ltd. 20 Kai Cheung Road Kowloon Bay Kowloon – Hong Kong Tel.: 0085222621620 Fax: 0085227550333</p>	<p><b>Lithuania</b> Electrolux Lithuania Verkui 29 2600 Vilnius Tel.: 372 272 3326 Fax: 372 272 3366</p>	<p><b>Russia</b> Electrolux Russia Ltd. 16 Olympiysky prospekt 129090 Moscow Tel.: (095) 937 7837 Fax: (095) 926 5513</p>
<p><b>Israel</b> Evis Ltd. Tadiran-Ampa Service 10 Gibonay Israel Street New Industrial Zone Netanya, 42504 Israel</p>	<p><b>Malaysia</b> Arzbergh Engineering No. 49A/B, Jalan Petaling Utama 7 4600 Petaling Jaya Tel.: 3 795 1084 Fax: 3 795 1082</p>	<p><b>Saudi Arabia</b> Awad Badi Nahas Est Shara Siteen Jeddah 21463 Phone: 6646583 Alia Trading Co Mecca Road Riyadh 11491 Phone 4645977</p>
<p><b>Japan</b> Electrolux Japan Ltd. Domestic Appliances Department Maruzen Showa Warehouse Building Tookai 4-5-12, Ota-ku 143-006 Tokyo Tel.: 0120-13-7117 Fax: 03-3790-5257</p>	<p><b>Singapore</b> Group Pte Ltd. 833 Bukit Timah Road Unit no. 01-11 Royalville 279887 Singapore Tel.: 0065 64638484 Fax: 0065 64638488</p>	<p><b>Slovenia</b> Electrolux Slovenia D.O.O. Traska Ul. 132 1000 Ljubljana Tel.: 61 1234 137 Fax: 61 1234 238</p>
<p><b>Thailand</b> Olympia Thai Tower, 444 Rachadapiser Road Samsennok- Huaykwang 10320 Bangkok Thailand Tel.: 006625136111 Fax: 006625136334</p>	<p><b>Slovakia Rep.</b> Electrolux Slovakia S.R.O. Seberiniho 1 821 03 Bratislava Tel.: 02 4333 4322, 4355 Fax: 02 4333 6976</p>	<p><b>South Africa</b> AEG (Pty) Ltd. 55, 12th Road P.O. Box 1 02 64 Kew/Johannesburg 2000 Tel.: 8069111</p>
<p><b>Hungary</b> Electrolux Lehel KFT Erzsébet Királyné útja 87. 1142 Budapest Tel.: 00361/467-3200</p>		

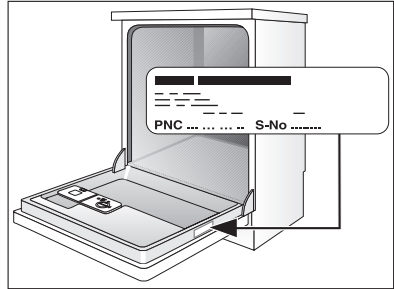
# Service

In the event of technical faults, please first check whether you can remedy the problem yourself with the help of the operating instructions (section "What to do if...").

If you were not able to remedy the problem yourself, please contact the Customer Care Department or one of our service partners.

In order to be able to assist you quickly, we require the following information:

- Model description
- Product number (PNC)
- Serial number (S No.)  
(for numbers see rating plate)
- Type of fault
- Any error messages displayed by the appliance



So that you have the necessary reference numbers from your appliance at hand, we recommend that you write them in here:

Model description: .....

PNC: .....

S No: .....

 **From the Electrolux Group. The world's No. 1 choice.**

*The Electrolux Group is the world's largest producer of powered appliances for kitchen, cleaning and outdoor use. More than 55 million Electrolux Group products (such as refrigerators, cookers, washing machines, vacuum cleaners, chain saws and lawn mowers) are sold each year to a value of approx. USD 14 billion in more than 150 countries around the world.*

AEG Hausgeräte GmbH  
Postfach 1036  
D-90327 Nürnberg

<http://www.aeg-electrolux.de>

© Copyright by AEG

822 612 351-00-130605-04

Subject to change without notice



## Free Manuals Download Website

<http://myh66.com>

<http://usermanuals.us>

<http://www.somanuals.com>

<http://www.4manuals.cc>

<http://www.manual-lib.com>

<http://www.404manual.com>

<http://www.luxmanual.com>

<http://aubethermostatmanual.com>

Golf course search by state

<http://golfingnear.com>

Email search by domain

<http://emailbydomain.com>

Auto manuals search

<http://auto.somanuals.com>

TV manuals search

<http://tv.somanuals.com>