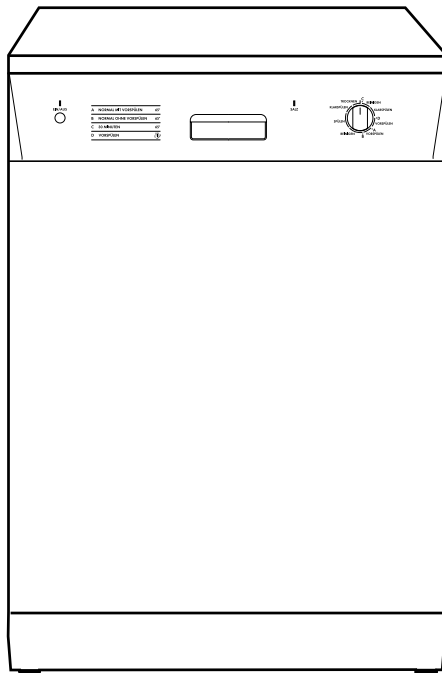


AEG

FAVORIT G 330

Geschirrspülautomat
Dishwasher

Benutzerinformation
Instruction book



Dear customer!

Please read these user instructions carefully.

Above all please observe the safety instructions on the first few pages of these user instructions! Please keep these user instructions for later reference. Pass them on to any subsequent owner of the appliance.



The warning triangle and/or specific words (Warning!, caution!, Important!) are used to highlight instructions that are important for your safety or for the function of the appliance. It is imperative that these instructions are observed.

Numbered instruction steps lead you step by step through the operation of the appliance.



Next to this symbol you receive additional information and practical tips on using the appliance.



Tips and instructions for the economical and environmentally conscious use of the appliance are marked with a clover leaf.

In the event of a malfunction, these operating instructions contain information on how to rectify faults yourself, see "What to do, when..." section.

If these instructions are insufficient, please contact your nearest customer service centre.

In the case of technical problems, our customer service organisation is available to provide you with assistance at any time.

Printed on paper manufactured with environmentally sound processes.
He who thinks ecologically acts accordingly..

CONTENTS

Operating instructions	44
Safety instructions	44
Disposing of packaging and old machine	46
Economical and ecological dishwashing	47
Description of the appliance and control panel	48
Prior to using for the first time	50
The water softener	50
Filling with salt	51
Rinse aid	53
In daily use	56
Loading cutlery and dishes	56
The lower basket	57
The cutlery basket	57
The upper basket	58
Adjusting the height of the upper basket	59
Use of detergent	60
Detergent tablets	62
Concentrated detergent	62
Use of "3 in 1" combi detergent tablets	63
Washing programmes	64
Starting a washing programme	65
Unloading the dishwasher	66
Maintenance and cleaning	67
Cleaning the filters	67
What to do, when...	70
Technical specifications	72
Hints for test centres	73
Installation instructions	74
Fitting under a counter	74
Levelling	74
Water supply connections	75
Water inlet hose with safety valve	76
Water outlet hose connection	77
Electrical connection	78
Service	79

OPERATING INSTRUCTIONS



Safety instructions

The safety of AEG electrical appliances conforms to accepted rules of technology and the Appliance Safety Act. We as manufacturers, however, see ourselves as being obliged to familiarise you with the following safety instructions.

Using your dishwasher for its intended purpose

- Only use your dishwasher for machine washing of household crockery. If your machine is misused or used for any purposes other than that for which it is intended, the manufacturer cannot be held liable for any damage caused.
- For safety reasons, you should not convert or modify your dishwasher in any way.

Before using your dishwasher for the first time

- Check your dishwasher for any transport damage. Never connect a damaged machine. If your dishwasher is damaged, you should contact your supplier.
- Your dishwasher must be correctly installed and connected. Please read the section on "Installation" to make sure you know all about this.
- Before using your dishwasher for the first time, do not forget that the nominal voltage and current type indicated on the rating plate of your machine must be the same as the nominal voltage and current type at the installation site. The necessary electrical fusing is also given on the rating plate.

Child safety

- Packaging parts (e.g. foils, styrene foam) may be dangerous for children, who could even be suffocated! You should therefore keep all packaging well away from children.
- Children may not recognise the dangers of improper use of electrical appliances. You should therefore ensure proper supervision during operation and not allow your children to play with your dishwasher.
- Detergents may have a caustic effect on eyes, mouth and throat and may even cause suffocation! Keep all detergents in a safe place out of children's reach.

- The water in your dishwasher should not be used for drinking. Detergent residues may still be present in your machine. Make sure you do not splash these caustic residues onto your skin or suffocate yourself!
Keep children well away from your dishwasher when its door is open.

Your dishwasher in day-to-day use

- Never operate your dishwasher if the electrical supply lead, supply or drain hose, control panel, worktop or plinth are damaged.
- If there is a fault, first turn the water tap off. Then switch off your machine and pull the plug out of the socket. If there is a fixed connection, switch off or unscrew the fuse(s).
- Never pull the plug out of the socket by the cable - always hold the plug.
- Dishwasher repairs should only be performed by trained personnel. Improper repairs may seriously endanger the user. If your dishwasher needs to be repaired, you should contact our service centre or your retailer.
- Never place any solvents in your dishwasher or you may cause an explosion!
- Do not rest or sit on the open door or the machine could tilt.
- Before using special dishwasher salt, detergent or rinse-aid, make sure that the manufacturer of these products expressly specifies their use in domestic dishwashers.
- Always turn off the water tap when your dishwasher is left unattended for any length of time, e.g. when you are away on holiday.
- Only transport the dishwasher in an upright position. Tipping it upside down during transport could cause salty water to leak into the internal compartment and lead to the formation of rust.



Disposing of packaging and old machine

Disposing of the packaging

Our dishwashers require effective protective packaging in transit, though we always confine ourselves to what is absolutely necessary.



Warning! Packaging parts (e.g. foils, styrene foam) may be dangerous for children, who could even be suffocated! You should therefore keep all packaging well away from children.

All packaging materials used are environmentally compatible and reusable.

The cardboard parts are produced from recycled paper, and the wood is untreated.

The plastics are marked as follows:

- >PE< for polyethylene, e.g. packaging foils.
- >PS< for polystyrene, e.g. padding (essentially CFC-Free).
- >POM< for polyoxymethylene, e.g. plastic clamps.

Give the packaging for reuse to your local recycling centre. Your municipal or local authority will give you its address.

Disposing of your old machine

When your machine finally reaches the end of its life and you withdraw it from service, you should render it unserviceable before having it disposed of.



Warning! Children at play could lock themselves in your machine (and suffocate) or otherwise endanger their lives. Therefore pull out the main plug and detach and discard the electrical supply lead.

Disable the door lock so that the door no longer closes.

Marking of plastic parts for graded recycling: all plastic parts in your machine are marked with internationally standardised abbreviations (e.g. <PS> for polystyrene). When your machine is disposed of, this enables plastic waste to be sorted into individual types for environmentally conscious recycling.

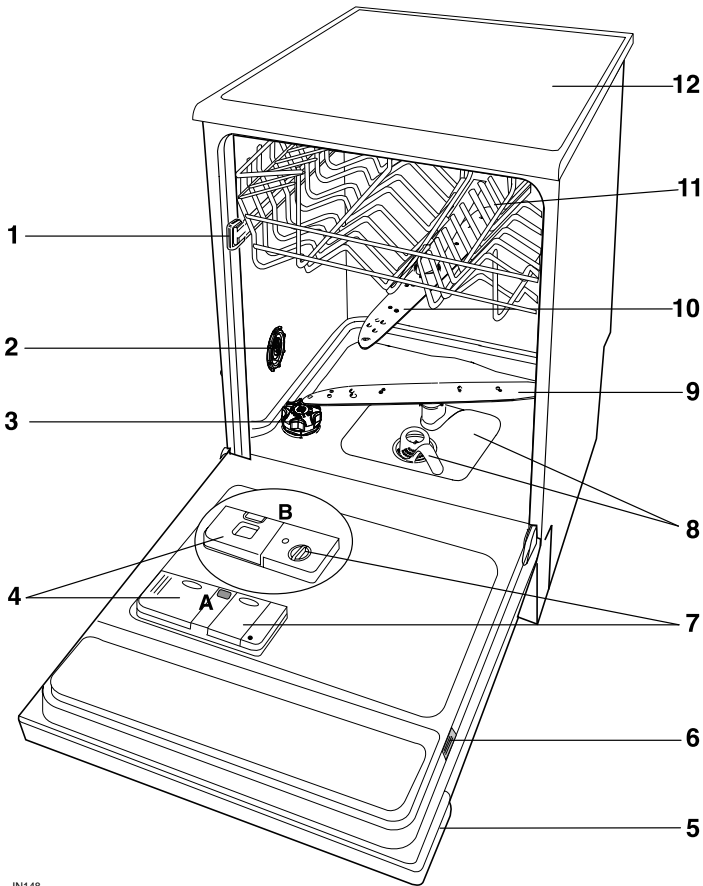
Take your decommissioned machine to your local recycling centre or dealer, who will take it back from you for a small handling charge.



Economical and ecological dishwashing

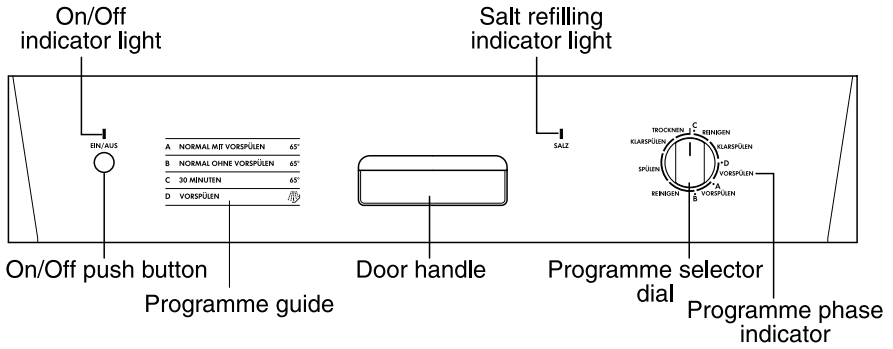
- Only connect the dishwasher to the hot water supply if your hot water is not electrically heated.
- Ensure that the water softener is correctly adjusted.
- Do not pre-rinse under running water.
- Select the wash programme to suit the nature and degree of the soiling on the dishes.
- Do not use more detergent, special salt or rinse aid than is recommended in these operating instructions and by the manufacturer of the respective product.

Description of the appliance and control panel



IN148

- | | |
|--|--|
| 1. Upper basket stop | 7. Rinse aid dispenser (type A / type B) |
| 2. Water hardness switch | 8. Filters |
| 3. Salt container | 9. Lower spray arm |
| 4. detergent dispenser (type A / type B) | 10. Upper spray arm |
| 5. Control panel | 11. Upper basket |
| 6. Rating plate | 12. Worktop |



Programme sequence indicator

As the programme progresses, the programme selector dial turns, to show the phase in the wash programme the appliance has reached.

Prior to using for the first time

Before using your dishwasher for the first time:

1. Ensure that the electrical and water connections comply with the installation instructions
2. Remove all packaging from inside the appliance
3. Set the water softener
4. Pour 1 litre of water inside the salt container and then fill with salt
5. Fill the rinse aid dispenser
6. Run a "Rinse and Hold" programme

The water softener

The dishwasher is equipped with a water softener designed to remove minerals and salts from the water supply, which would have a detrimental or adverse effect on the operation of the appliance.

The higher the content of these salts, the harder your water is.

Water hardness is measured in equivalent scales, German degrees, French degrees and PPM (parts per Million).



The softener should be adjusted according to the hardness of the water in your area. Your local Water Authority can advise you on the hardness of the water in your area.

The dishwasher is factory set at position 2.

If your water is below level 1 it is already soft and therefore there is no need to use salt. In this case adjust the water softener on level 1 without using salt.

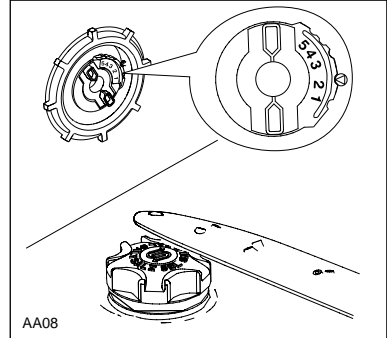


If the water softener has been adjusted on level 1 and no salt is being used, the salt refilling indicator light on the control panel will always remain illuminated when the machine is switched on.

Water hardness			Water hardness setting	Use of salt
°dH (german degrees)	°TH (french degrees)	PPM (parts per million)		
0 - 4	0 - 8	0 - 80	-	NO
5 - 11	9 - 20	81 - 200	Level 1	YES
12 - 22	21 - 40	201 - 400	Level 2	YES
23 - 34	41 - 60	401 - 600	Level 3	YES
35 - 45	61 - 80	601 - 800	Level 4	YES
46 - 50	81 - 90	801 - 900	Level 5	YES

Setting the water softener

1. Open the dishwasher door.
2. Remove the lower basket from the dishwasher.
3. Turn the water hardness switch until the required level (see table) corresponds with the marker .
4. Replace the lower basket.



Filling with salt

Special salt can be added in one of two ways:

- If you are using dishwasher detergent that already integrates the salt function, this must be placed in the detergent compartment.
 - In this case the water softener must be set to level 1 without putting salt in the salt container.
- If you are using dishwasher detergent and salt separately, the special salt is to be put into the salt container.
 - In this case the water softener must be set to between level 1 and 5 (depending on the water hardness in your area).



Only use salt specifically designed for use in dishwashers. All other types of salt not specifically designed for use in a dishwasher, especially table salt, will damage the water softener. Only fill with salt just before starting one of the washing programmes (except the Rinse and Hold programme). This will prevent any grains of salt or salty water, which may have been spilt, remaining on the bottom of the machine for any period of time, which may cause corrosion.

To fill:

1. Open the door, remove the lower basket and unscrew the cap of the salt container by turning it anticlockwise.
2. Pour 1 litre of water inside the container (this is necessary only before filling with salt for the first time).
3. Using the funnel provided, pour in the salt until the container is full.
4. Replace the cap making sure that there is no trace of salt on the screw thread or on the gasket.
5. Screw on the cap tightly turning it clockwise until it stops with a click.



The salt container will require topping up periodically. You are reminded of this by the salt indicator light on the control panel which will illuminate when the salt has finished.



The salt indicator light on the control panel can remain illuminated for 2-6 hours after the salt has been replenished, assuming the dishwasher remains switched on. If you are using salts that take longer to dissolve then this can take longer. The function of the machine is not affected.

Do not worry if water over flows from the unit when filling with salt, this is quite normal.

Rinse aid

Rinse aid is automatically added during the last rinse, ensuring thorough rinsing, and spot and streak free drying. The dispenser, which is positioned inside the door, holds about 110 ml of rinse aid, which is sufficient for 16 - 40 dishwashing programmes, depending upon the dosage setting.

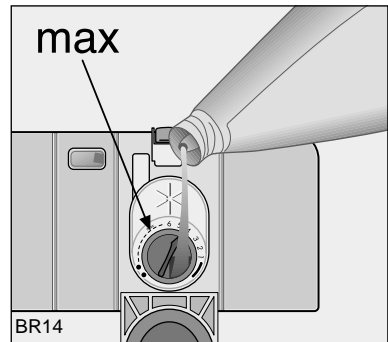
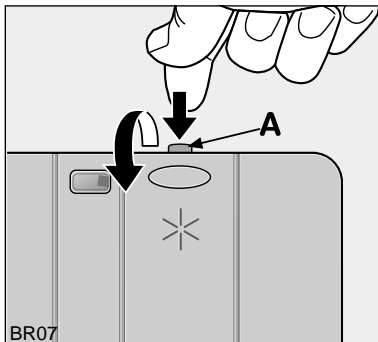
Rinse aid can be added in one of two ways:

- If you are using dishwasher detergent that already integrates the rinse aid function, this must be placed in the detergent compartment.
 - In this case the rinse aid compartment must be empty.
If in the rinse aid dispenser there is still rinse aid you must wait until it has finished before using detergent that contains rinse aid.
- If you are using dishwasher detergent and rinse aid separately, the rinse aid is to be put into the rinse aid dispenser.
 - In this case the rinse aid dosage must be set in position from 1 to 6 (see "Adjusting the dose").

Filling with rinse aid

(Rinse aid dispenser type A)

1. Open the container by pressing the release button (A).
2. Fill with rinse aid exactly up to the level indicator marked "max".



Ensure that the lid is closed after every refill.

Top up with rinse aid when the indicator (B) becomes clear,

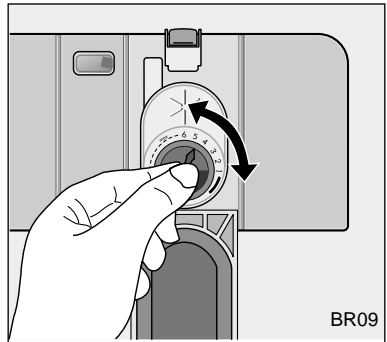
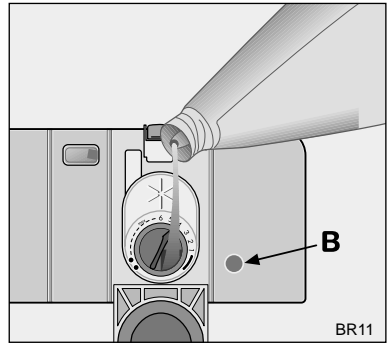
Adjusting the dose

According to the finish and drying results obtained, adjust the dose of rinse aid by means of the 6 position selector (position 1 minimum dosage, position 6 maximum dosage).

Increase the dose if there are drops of water or lime spots on the dishes after washing.

The dose is factory set in position 4.

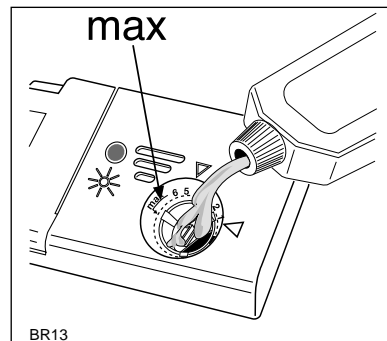
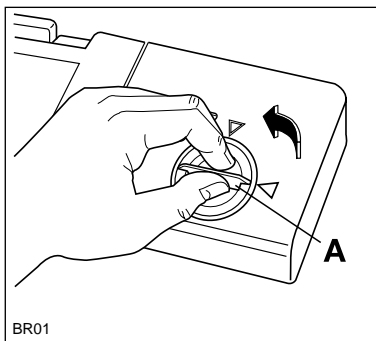
Reduce it if there are sticky whitish streaks on the dishes.



Filling with rinse aid

(Rinse aid dispenser type B)

1. Open the container by turning the lid (A) anticlockwise.
2. Fill with rinse aid exactly up to the level indicator marked "max".



Ensure the lid is closed after every refill.

Top up with rinse aid when the indicator (B) becomes clear,

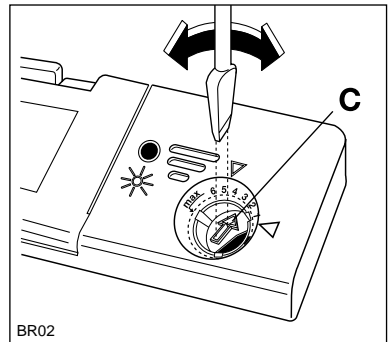
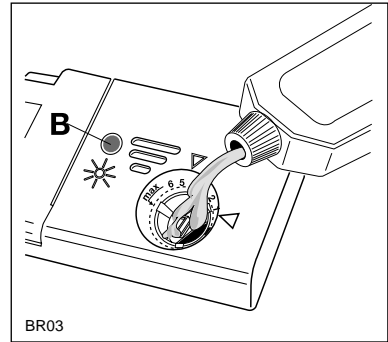
Adjusting the dose

According to the finish and drying results obtained, adjust the dose of rinse aid by means of the 6 position selector (C) (position 1 minimum dosage, position 6 maximum dosage).

Increase the dose if there are drops of water or lime spots on the dishes after washing.

The dose is factory set in position 5.

Reduce it if there are sticky whitish streaks on the dishes.



Clean up any rinse aid spilt during filling with an absorbent cloth to avoid excess foaming during the next wash.

Only use branded rinse aid for dishwashers. Never fill the rinse aid dispenser with any other substances (e.g. dishwasher cleaning agent, liquid detergent). This would damage the appliance.

In daily use

- Check if it's necessary to refill with special salt or rinse aid
- Load cutlery and dishes into the dishwasher
- Fill with dishwasher detergent
- Select a wash programme suitable for the cutlery and dishes
- Start the wash programme

Loading cutlery and dishes



Sponges, household cloths and any object that can absorb water may not be washed in the dishwasher.

- Before loading the dishes, you should:
 - Remove large left-overs.
 - Soften remnants of burnt food in pans.
- When loading the dishes and cutlery, please note:
 - Dishes and cutlery must not impede the rotation of the spray arms.
 - Load hollow items such as cups, glasses, pans etc, with the opening downwards so that water cannot collect in the container or a deep base.
 - Dishes and items of cutlery must not lie inside one another or cover each other.
 - To avoid damage to glasses, they must not touch.
 - Lay small objects in the cutlery basket.

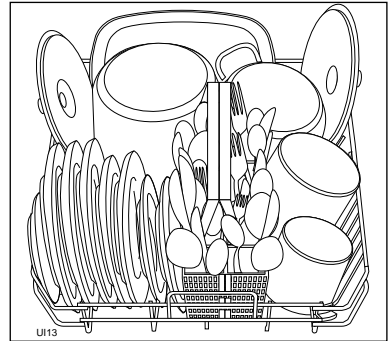
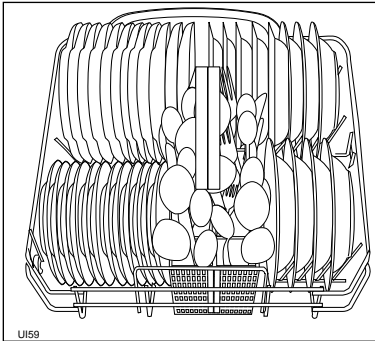
For washing in the dishwasher the following cutlery/dishes	
are not suitable:	are of limited suitability:
<ul style="list-style-type: none"> • Cutlery with wooden, horn, china or mother-of-pearl handles • Plastic items that are not heat resistant • Older cutlery with glued parts that is not temperature resistant • Bonded cutlery items or dishes • Pewter or copper items • Lead crystal glass • Steel items subject to rusting • Wooden platters • Items made from synthetic fibres 	<ul style="list-style-type: none"> • Only wash stoneware in the dishwasher if it is specifically marked as being dishwasher-safe by the manufacturer. • Glazed patterns may fade if machine washed frequently. • Silver and aluminium parts have a tendency to discolour during washing. Left-overs, e.g. egg white, egg yolk and mustard often cause discolouring and staining on silver. • Some types of glass can become dull after a large number of washes.

Open the door and slide out the baskets to load the dishes.

The lower basket

The lower basket is designed to take saucepans, lids, plates, salad bowls, cutlery etc.

Serving dishes and large lids should be arranged around the edge of the basket, ensuring that the upper spray arm can turn freely.



The cutlery basket



Long bladed knives stored in an upright position are a potential hazard.

Long and/or sharp items of cutlery such as carving knives must be positioned horizontally in the upper basket.

Take care when loading or unloading sharp items such as knives.

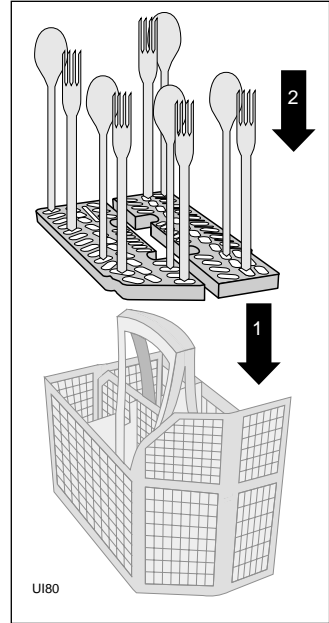
Cutlery should be placed in the removable cutlery basket with the handles facing downwards.

If the handles protrude from the bottom of the basket, obstructing the lower spray arm, load the cutlery with the handles facing upwards.

Mix spoons with other cutlery to prevent them from sticking together.

Silver cutlery tends to go black if mixed with steel cutlery. Place it in the cutlery basket separate from the others.

For best results we recommend to use the cutlery grid provided (if the size and the dimensions of the cutlery allow it).



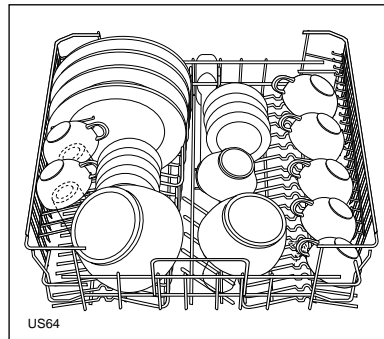
The upper basket

The upper basket is designed for plates (dessert plates, saucers, dinner plates of up to 25 cm in diameter), salad bowls, cups and glasses.

Arrange items on and underneath the cup racks so that water can reach all surfaces.

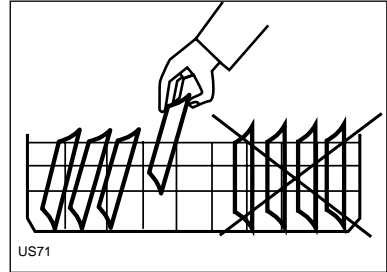
Glasses with long stems can be placed upside down in the cup rack.

Light items (plastic bowls etc.) must be loaded in the upper basket and arranged so they do not move.



In the case that plates are loaded in the upper basket:

load them starting from the rear positions of the basket; tilting them slightly forwards and avoiding the front positions near the door.



Before closing the door, ensure that the spray arms can rotate freely.

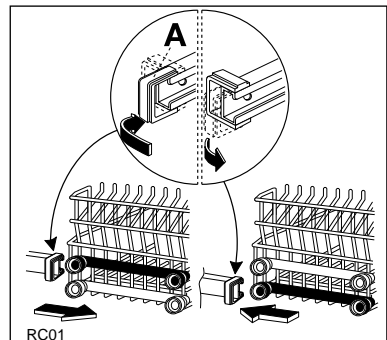
Adjusting the height of the upper basket

If washing very large plates you can load them in the lower basket after moving the upper basket to the higher position.

	Maximum height of the dishes in:	
	upper basket	lower basket
With upper basket raised	20 cm	31 cm
With upper basket lowered	25 cm	27 cm

To move to the higher position proceed as follows:

1. Move the front runner stops (A) of the upper basket outwards and slide the basket out.
2. Refit the basket in the higher position and replace the stops (A) in their original position.



After loading your machine always close the door, as an open door can be a hazard.

Use of detergent

Only use detergents specifically designed for use in dishwashers.



Using no more than the correct amount of detergent contributes to reducing pollution.

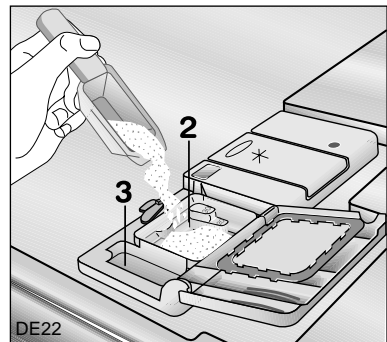
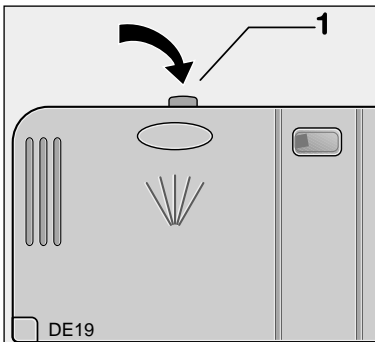
Prior to the start of a wash programme (not for the "Rinse and Hold" programme, that does not require the use of detergent). The detergent is released during the washing phase.

Please observe the manufacturer's dosing and storage recommendations as stated on the detergent packaging.

Fill with detergent

(Detergent dispenser type A)

1. If the lid is closed: press release button (1). The lid springs open.
2. Fill the detergent dispenser (2) with detergent.
The marking indicates the dosing levels:
20 = approximately 20 ml of detergent
30 = approximately 30 ml of detergent
3. All programmes with prewash need an additional detergent dose (5/10 g) that must be placed in the prewash detergent chamber (3).
This detergent will take effect during the prewash phase.

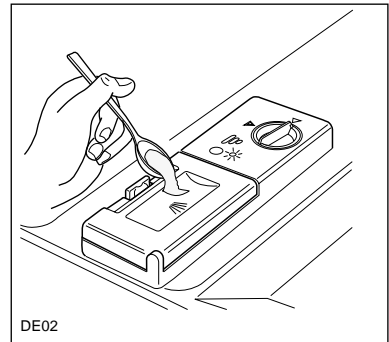
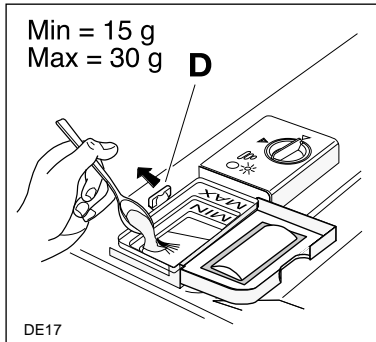


4. Close the lid and press until it locks in place.

Fill with detergent

(Detergent dispenser type B)

1. Open the dispenser by pulling the catch (D). The lid springs open.
2. Fill the detergent dispenser with detergent.
The marking indicates the dosing levels:
Min = approximately 15 g of detergent
Max = approximately 30 g of detergent
3. Close the lid and press until it locks in place.



4. All programmes with prewash need an additional detergent dose (5/10 g) that must be placed over the lid of the dispenser. This detergent will take effect during the prewash phase.

Detergent tablets



Detergent tablets of different brands dissolve at different speeds. For this reason some detergent tablets cannot develop their full cleaning power during short programmes. Therefore please use normal programmes with prewash when using detergent tablets.



Do not place the tablets in the tub or in the cutlery basket as this will result in poorer wash results. The tablets should be placed in the detergent dispenser.

Concentrated detergent

Based on their chemical composition, dishwasher detergents can be split into two basic types:

- conventional, alkaline detergents with caustic components.
- low alkaline concentrated detergents with natural enzymes.



The use of 50°C washing programmes in conjunction with concentrated detergents reduces pollution and is good for your dishes; these wash programmes are specially matched to the dirt-dissolving properties of the enzymes in the concentrated detergent. For this reason 50°C wash programmes in which concentrated detergents are used can achieve the same results that can otherwise only be achieved using 65°C programmes.

Use of "3 in 1" combi detergent tablets

General advice

These products are tablets with integrated and combined detergent/rinse-aid and salt functions.

1. Before using these products you should first check that the water hardness in your supply is compatible with the use of these products as per the detergent manufacturers (on the product packaging).
2. These products should be strictly used according to the detergent manufacturers instructions.
3. If you encounter problems when using 3 in 1 products for the first time then please contact the detergent manufacturers care line (the telephone number is given on the product packaging).

Special advice



If you decide to turn back to the use of the standard detergent system we advise that you:

- Refill both the salt container and rinse aid dispenser.
- Switch the water hardness setting to the highest possible position and run a normal washing programme without a load.
- Readjust the water hardness setting again according to the hardness of the water in your area.

Washing programmes

Choose the most suitable wash programme with the aid of this table:

Type of load	Crockery, cutlery, pots and pans		Crockery and cutlery	Any
in addition	-	-	-	-
Degree of soiling	• Heavy soil	• Normal soil	• Fresh soil	Partial load (to be completed later in the day).
Suitable programme:	↓	↓	↓	↓
	(1) Normal 65° with prewash	Normal 65° no prewash	(2) 30 minute 65°	Rinse and Hold
Position of the programme selector dial	A	B	C	D
Programme sequence	Prewash Main wash Cold rinse Hot rinse Drying	Main wash Cold rinse Hot rinse Drying	Main wash Hot rinse	Cold rinse
Consumption (3)	↓	↓	↓	↓
Duration	110 - 120 min.	95 - 105 min.	30 - 40 min.	12 min.
Energy	1,15 - 1,24 kWh	1,15 - 1,24 kWh	1,05 - 1,15 kWh	0,1 kWh
Water	16 - 18 litres	13 - 15 litres	11 - 13 litres	10 litres

(1) Testing programme for EN 50242 (see "Hints for test centres").

(2) Ideal for washing crockery and cutlery of breakfast and dinner (**fresh soil**).

The time value is approximate and depends on the pressure and the temperature of the water and also by the variations of the power supply.

This is a perfect daily programme, made to meet the needs of a family of 4 persons who only wish to load breakfast and dinner crockery and cutlery

(3) The consumptions values are intended as a guide and depends on the pressure and the temperature of the water and also by the variations of the power supply.

Starting a washing programme

1. Check that the baskets have been loaded correctly and that the spray arms can rotate freely
2. Turn on the water tap
3. Close the dishwasher door
4. Setting and starting the programme

Turn the programme selector dial clockwise until the programme marker on the knob corresponds with the letter of the programme you wish to select.

Press the On/Off push button, the On/Off indicator light will come on and the machine will start automatically.

5. To interrupt a washing programme in progress



Interrupt, change or cancel a washing programme in progress ONLY if it's absolutely necessary



Attention! Hot steam may escape when the door is opened. There is risk of scalding. Open the door carefully.

- Open the dishwasher door; the programme will stop. Close the door; the programme will start from the point in which it was interrupted.
- Pressing the On/Off (in this case the On/Off indicator light turns off). Press the On/Off push button again; the programme will start from the point in which it was interrupted.

6. End of the washing programme

The dishwasher will automatically stop.

Switch off the dishwasher by pressing the On/Off push button. On/Off indicator light turns off.



Hot steam may escape from the appliance when opening the door immediately after the end of the programme, therefore, **open the door carefully.**

Unloading the dishwasher

Hot dishes are sensitive to knocks. The dishes should therefore be allowed to cool down before removing from the appliance.

Leave the dishes in the dishwasher for approx. 15 minutes, with the door ajar, after the end of programme so that they dry better and will be cooler.

Empty the lower basket first and then the upper one; this will avoid water dripping from the upper basket onto the dishes in the lower one.



When the washing programme has finished, it is recommended that the dishwasher is unplugged and the water tap turned off.

Maintenance and cleaning



Clean the external surfaces of the machine and control panel with a damp soft cloth. If necessary use only neutral detergents. Never use abrasive products, scouring pads or solvent (acetone, trichloroethylene etc....).

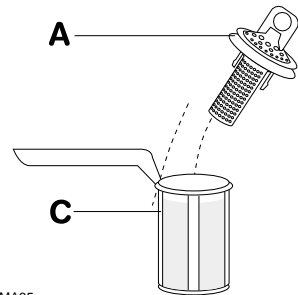
Ensure that the seals around the door, the detergent and rinse aid dispensers are cleaned regularly with a damp cloth.

We recommend every 3 months to run a 65°C wash programme without dishes using detergent.

Cleaning the filters

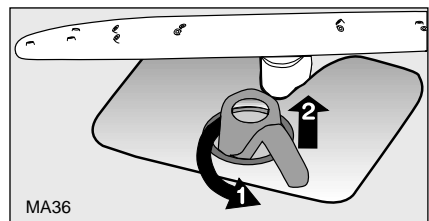
The filters in the base of the washing compartment are to a large extent self-cleaning. Nevertheless the filters should be checked and cleaned from time to time. Dirty filters will degrade the washing result.

1. Open the door, remove the lower basket.
2. The dishwasher filter system comprises a coarse (A), a microfilter (C) and a flat filter (D). Unlock the filter system using the handle on the microfilter, and remove.
3. Turn the handle about $\frac{1}{4}$ a turn anticlockwise and remove.
4. Take hold of the coarse filter (A) by the handle with the hole and remove from the microfilter (C).

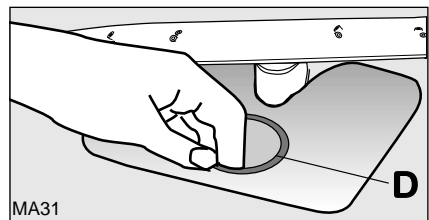


MA35

5. Clean all filters thoroughly under running water.
6. Remove the flat filter (D) from the base of the washing compartment and clean both faces thoroughly.



MA36



MA31

7. Put the flat filter (D) back in the base of the washing compartment.
8. Place the coarse filter (A) in the microfilter (C) and press together.
9. Put the filter combination in place and lock by turning the handle clockwise to the stop. During this process ensure that the flat filter does not protrude above the base of the washing compartment.

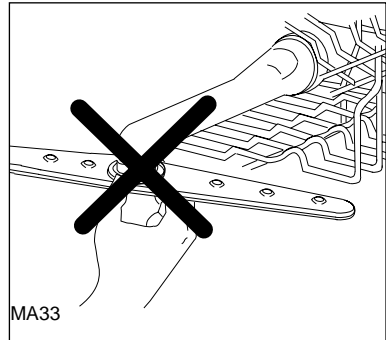


Under no circumstances may the dishwasher be used without filters.

Incorrect repositioning and fitting of the filters will produce poor washing results.

To ensure a correct working of the dishwasher, NEVER try to remove the upper spray arm.

If residues of soil have clogged the holes in the upper spray arm, remove them with a toothpick.



Prolonged periods of non-operation

If you are not using the machine for any period of time you are advised to:

1. Unplug the appliance and then turn off the water.
2. Fill the rinse aid dispenser.
3. Leave the door ajar to prevent the formation of any unpleasant smells.
4. Leave the inside of the machine clean.

Frost precautions

Avoid placing the machine in a location where the temperature is below 0°C. If this is unavoidable, empty the machine, close the appliance door, disconnect the water inlet pipe and empty it.

Moving the machine

If you have to move the machine (moving house etc....):

1. Unplug it.
2. Turn the water tap off.
3. Remove the water inlet and discharge hoses.
4. Pull the machine out together with the hoses.

Avoid over tilting the machine during transportation.

What to do, when...

Certain problems are due to the lack of simple maintenance or oversights, which can be solved with the help of the instructions given here, without calling out an engineer.

...there are problems when operating the dishwasher

The dishwasher will not start or stops during operation. All push buttons are inoperative except for the On/Off push button. Press the On/Off push button to switch the dishwasher off and carry out the following suggested corrective actions.

Malfunction	Possible cause	Solutions
The machine does not fill with water	The water tap is blocked or furred with limescale.	Clean the water tap.
	The water tap is turned off.	Turn the water tap on.
	The filter (where present) in the threaded hose fitting at the water inlet valve is blocked.	Clean the filter in the threaded hose fitting.
	The water inlet hose has not been correctly laid or it is bent or squashed.	Check the water inlet hose connection.
The dishwasher will not drain	The siphon is blocked.	Clean out the siphon.
	The water drain hose has not been correctly laid or it is bent or squashed.	Check the water drain hose connection.
The programme does not start	The dishwasher door has not been properly closed.	Close the door.
	The main plug is not plugged in.	Insert the mains plug.
	The fuse has blown in the household fuse box.	Replace the fuse.
There is a whistling noise during washing	The whistling is not a cause for concern.	use a different brand of detergent.

Once the checks have been carried out, press the On/Off push button, the programme will continue from the point in which it was interrupted. If the malfunction reappears contact your local service force centre.

...the wash results are not satisfactory

The dishes are not clean

- The wrong washing programme has been selected.
- The dishes were arranged in such a way as to stop water reaching all parts of the surface. The baskets must not be overloaded.
- The spray arms do not rotate freely due to wrong arrangement of the load.
- The filters in the base of the washing compartment are dirty or incorrectly positioned.
- Too little or no detergent has been used.
- Where there are limescales deposits on the dishes; the salt container is empty or the wrong level of the water softener has been selected.
- The drain hose connection is not correct.
- The salt container cap is not properly closed.

The dishes are wet and dull

- Rinse aid was not used.
- The rinse aid dispenser is empty.

There are streaks, milky spots or a bluish coating on glasses and dishes

- Decrease rinse aid dosing.

Water drops have dried onto glasses and dishes

- Increase rinse aid dosing.
- The detergent may be the cause. Contact the detergent manufacturer's consumer care line.

Technical specifications

Capacity:	12 place settings
Water supply pressure:	Minimum 50 kPa (0.5 bar) Maximum 800 kPa (8 bar)
Electrical connection: Voltage Overall power Fuse	Information on the electrical connection is given on the rating plate on the inner edge of the dishwasher's door on the right.
Dimensions:	820 - 850 x 600 x 610 (H x W x D in mm)



This appliance complies with the following E.E.C. Directives:

- 73/23 or 19.2.73 (Low Voltage Directive) and subsequent modifications;
- 89/336 or 3.5.89 (Electromagnetic Compatibility Directive) and subsequent modifications.

Hints for test centres

Testing in accordance with **EN 60704** must be carried out with appliance fully loaded and using the test programme (see "Washing programmes" chart).

Testing in accordance with **EN 60242** must be carried out when the salt dispenser and rinse aid container have been filled with salt and rinse aid respectively and using the test programme (see "Washing programmes" chart).

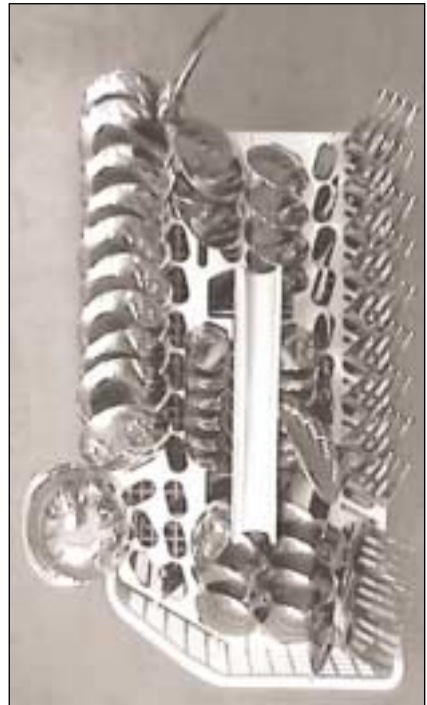
Load:	12 standard place settings
Rinse aid setting Rinse aid dispenser (type A): Rinse aid dispenser (type B):	Position 4 (type III) Position 5 (type III)
Detergent dosage:	5 g + 25 g (type B)



Arrangement upper basket



Arrangement lower basket



Arrangement cutlery basket

Installation instructions



Any electrical and/or plumbing work required to install this appliance should be carried out by a qualified electrician and/or plumber or competent person.

Remove all packaging before positioning the machine.

If possible, position the machine next to a water tap and a drain.

Fitting under a counter (kitchen worktop or sink)

By removing the machine's worktop, you can install it under a close fitting sink unit or a pre-existing top, providing the dimensions of the recess correspond to those shown in the picture.

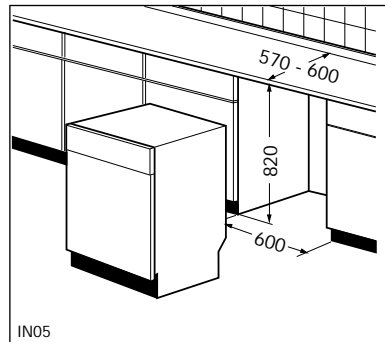
Proceed as follows:

Remove the machine's worktop by unscrewing the two rear retaining screws, pull from the front and slide out the rear slots, lifting the worktop.

Insert the machine after adjusting height and levelling with the adjustable feet. When inserting the machine, ensure that the water inlet and drain hoses are not kinked or squashed.

If the dishwasher is later used as a free-standing appliance, the original worktop must be re-mounted.

The plinth on free-standing appliances is not adjustable.



Levelling

Good levelling is essential for correct closure and sealing of the door.

When the appliance is correctly levelled, the door will not catch on either side of the cabinet.

If the door does not close correctly, loosen or tighten the adjustable feet until the machine is perfectly level.

Water supply connections

This dishwasher may be fed with either hot (max. 60°) or cold water. Nevertheless we advise you a cold water supply.

A hot water supply is not always efficient with very soiled crockery as it shortens the washing programmes a lot.

The dishwasher must not be connected to open hot water appliances or instantaneous water heaters.

The dishwasher is fitted with safety devices that prevent the wash water returning into the drinking water system and comply with the applicable plumbing regulations.

The water pressure must be within the limits given in the technical specifications. Your local Water Authority will advise you on the average mains pressure in your area.

The dishwasher features fill and drain hoses which can be turned either to the left or the right to suit the installation.

The water inlet hose must not be kinked, crushed, or entangled when it is being connected up.

If the machine is connected to new pipes or pipes which have not been used for a long time, you should run the water for a few minutes before connecting the inlet hose.



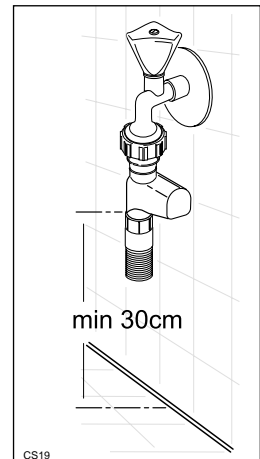
Do not use, for connection, old hoses which have been used in another appliance.

Water inlet hose with safety valve

After connecting the double-walled water inlet hose, the safety valve is next to the tap. Therefore the water inlet hose is only under pressure while the water is running. If the water inlet hose starts to leak during this operation, the safety valve cuts off the running water.

Please take care when installing the water inlet hose:

- The distance between the bottom edge of the safety valve and the floor on which the dishwasher is standing must be at least 30 cm:
- The electrical cable for the safety valve is in the double-walled water inlet hose. Do not immerse the water inlet hose or the safety valve in water.
- If water inlet hose or the safety valve is damaged, remove the mains plug immediately.
- A water inlet hose with safety valve must only be replaced by a specialist or by the consumer services department.
- Place the water inlet hose in such a way that it is never higher than the bottom edge of the safety valve.



Water outlet hose connection

The end of the drain hose can be connected in the following ways:

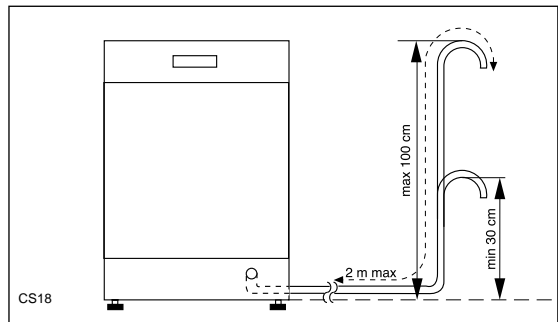
1. To the sink outlet spigot, securing it to the underside of the work surface. This will prevent waste water from the sink running into the machine.
2. Hooked over the edge of the sink using the special curved plastic guide provided.
3. To a stand pipe provided with vent-hole, minimum internal diameter 4 cm.

The waste connection must be at a height of between 30 cm (minimum) and 100 cm (maximum) from the bottom of the dishwasher.

The drain hose can face either to the right or left of the dishwasher. Ensure the hose is not bent or squashed as this could prevent or slow down the discharge of water.

The sink plug must not be in place when the machine is draining as this could cause the water to siphon back into the machine.

If you use a drain hose extension it must be no longer than 2 metres and its internal diameter must be no smaller than the diameter of the hose provided.



Likewise the internal diameter of the couplings used for connections to the waste outlet must be no smaller than the diameter of the hose provided.

Attention!

Our appliances are supplied with a security device to protect against the return of dirty water back into the machine.

If the spigot of your sink has a "no return valve" incorporated this can prevent the correct draining of your dishwasher.

We advise you therefore to remove it.

Electrical connection

Information concerning the electrical connection is given on the rating plate on the edge of the dishwasher's door on the right.

Before plugging the appliance into the wall socket, make sure that:

1. The mains voltage and current rating at the site of installation match the nominal voltage and current rating given on the rating plate.
2. The meter, fuses, mains power supply and wall socket can all take the maximum load required. Make sure that the socket and plug are compatible without having to use any type of adaptor. If necessary, have the domestic wiring system socket replaced.

To isolate the dishwasher from mains, remove the mains plug.



Important!

The plug must still be accessible after the appliance has been installed.

In case that the electrical cable has to be replaced, please contact your local consumer services department.

The appliance should not be connected to the electrical supply by means of an extension cable.

Safety standards require the appliance to be earthed.

The manufacture accepts no liability for failure to observe the above safety precautions.

Service

If after all these checks, the problem persists, contact your local consumer services department, quoting the model (Mod.), product number (PNC) and serial number (S.N.).

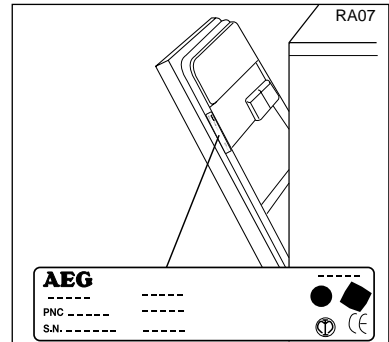
This information can be found on the rating plate located on the right hand side of the dishwasher door (see picture).

So that you always have these numbers at hand, we recommend you to make a note of them here:

Mod. :

PNC :

S.N. :



Service and spare parts

This product should be serviced by an authorised service engineer, and only genuine spare parts should be used.

Under no circumstances should you attempt to repair the machine yourself.

Repairs carried out by inexperienced persons may cause injury or serious malfunctioning. Contact your local consumer services department.

Always insist on genuine spare parts.

 **From the Electrolux Group. The world's No.1 choice.**

The Electrolux Group is the world's largest producer of powered appliances for kitchen, cleaning and outdoor use. More than 55 million Electrolux Group products (such as refrigerators, cookers, vacuum cleaners, chain saws and lawn mowers) are sold each year to a value of approx. 14 billion USD in more than 150 countries around the world.

AEG Hausgeräte GmbH
Postfach 1036
D-90327 Nürnberg

<http://www.aeg.hausgeraete.de>

© Copyright by AEG

*Technische Änderungen vorbehalten
Subject to change without notice*



Download from [Www.Somanuals.com](http://www.Somanuals.com). All Manuals Search And Download.

152969 94/0

Free Manuals Download Website

<http://myh66.com>

<http://usermanuals.us>

<http://www.somanuals.com>

<http://www.4manuals.cc>

<http://www.manual-lib.com>

<http://www.404manual.com>

<http://www.luxmanual.com>

<http://aubethermostatmanual.com>

Golf course search by state

<http://golfingnear.com>

Email search by domain

<http://emailbydomain.com>

Auto manuals search

<http://auto.somanuals.com>

TV manuals search

<http://tv.somanuals.com>