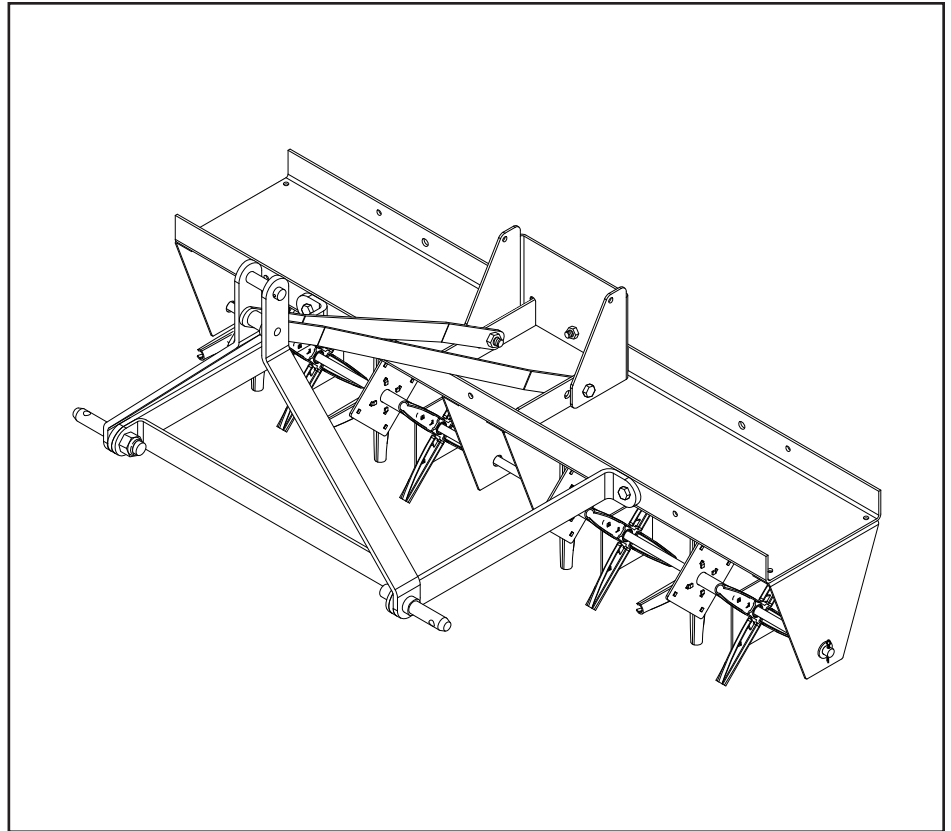




OWNERS MANUAL

**Model No.
45-0381**



3-POINT PLUG AERATOR

CAUTION:
Read Rules for
Safe Operation
and Instructions
Carefully

- **Safety**
- **Assembly**
- **Operating**
- **Maintenance**
- **Repair Parts**

SpeedPart *the fastest way to purchase parts* www.speedepart.com

SAFETY RULES

Remember, any power equipment can cause injury if operated improperly or if the user does not understand how to operate the equipment. Exercise caution at all times when using power equipment.



LOOK FOR THIS SYMBOL TO POINT OUT IMPORTANT SAFETY PRECAUTIONS. IT MEANS—ATTENTION! BECOME ALERT! YOUR SAFETY IS INVOLVED.



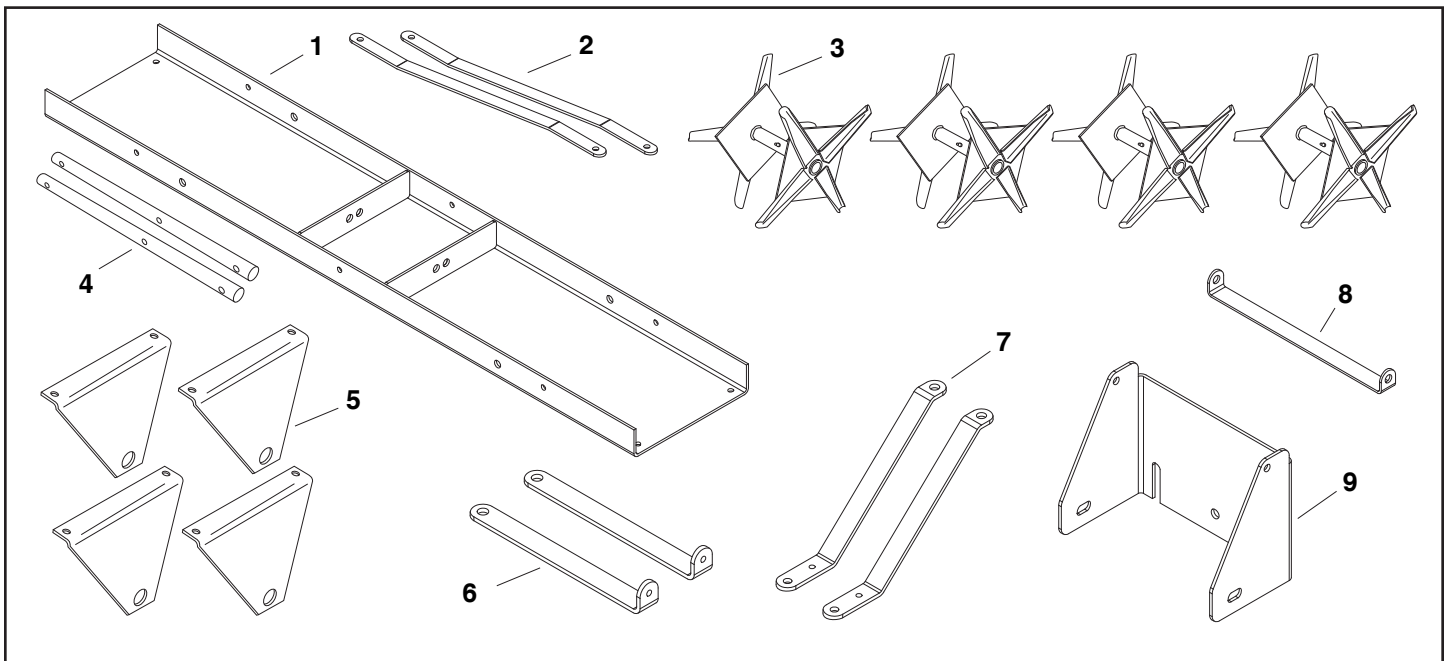
CAUTION: VEHICLE BRAKING AND STABILITY MAY BE AFFECTED WITH THE ADDITION OF AN ACCESSORY OR AN ATTACHMENT. BE AWARE OF CHANGING CONDITIONS ON SLOPES.

Exercise caution at all times when using power equipment.

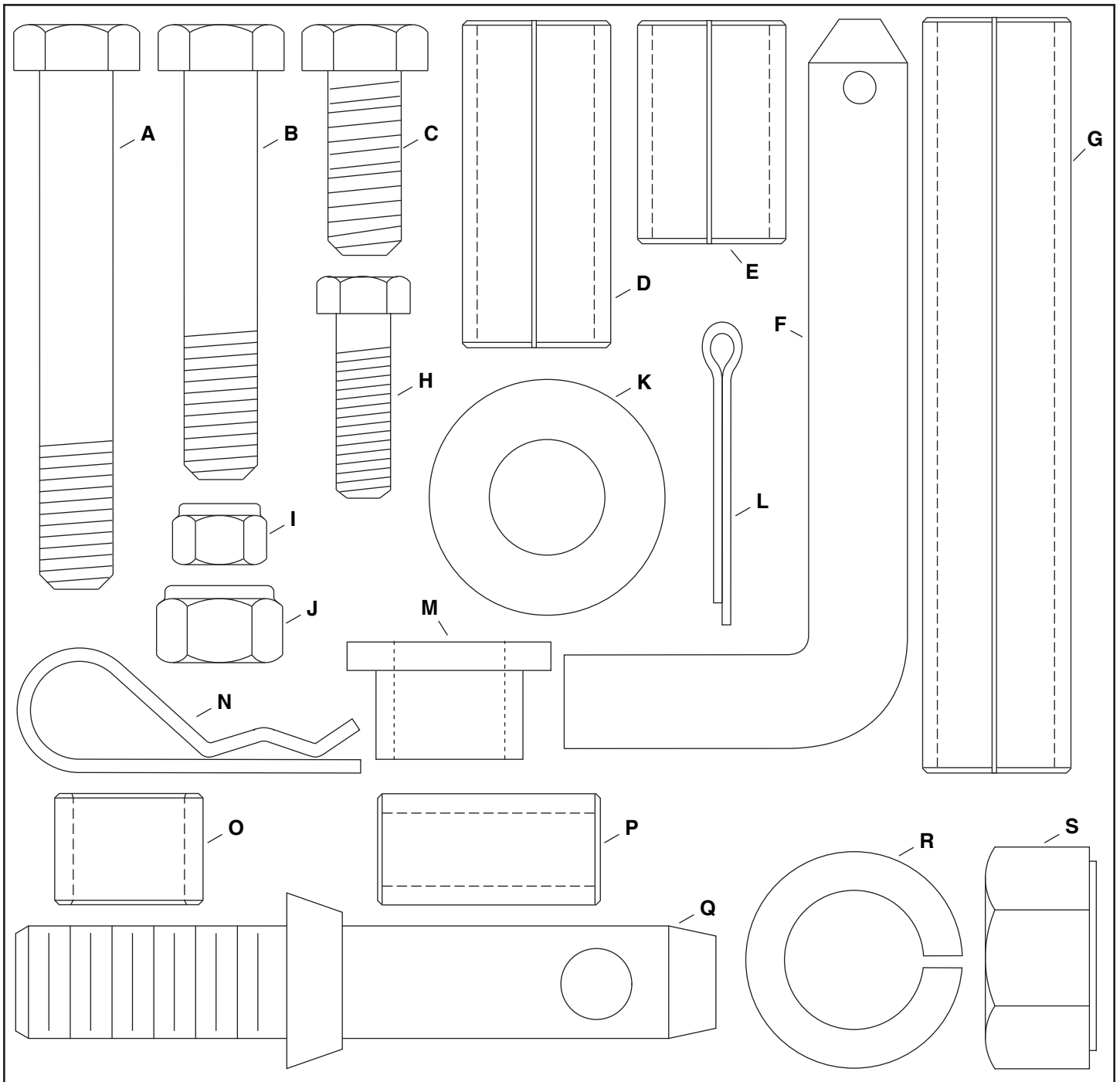
- Read this owners manual before attempting to assemble or operate the plugger attachment. Be thoroughly familiar with the proper use of this equipment.
- Read the vehicle owners manual and know how to operate your vehicle, before using the plugger attachment.
- Never allow children to operate the vehicle or plugger attachment and do not allow adults to operate the vehicle or plugger attachment without proper instructions.
- This aerator attachment has sharp knife points. Always handle with care and wear substantial foot wear and gloves when operating this aerator.
- Do not allow anyone to ride or sit on plug aerator attachment frame or on towing vehicle.
- Keep the area of operation clear of all persons, particularly small children and pets.
- Always begin with the transmission in first (low) and gradually increase speed as conditions permit.
- Tow the 3-point plug aerator at reduced speed over rough terrain and hillsides or near creeks and ditches to prevent tipping over and loss of control. Do not drive too close to a creek or ditch.
- Vehicle braking and stability may be affected with the attachment of this plugger attachment.
- Before operating vehicle on any grade (hill) refer to the safety rules in the vehicle owner's manual concerning safe operation on slopes. Refer also to the slope guide on page 11 of this manual. **Stay off steep slopes!**
- Do not tow this plugger attachment on highways or on public thoroughfares.
- Refer to your vehicle owners manual for information on maximum towing speed.
- Follow maintenance and lubrication instructions as outlined in this manual.

CARTON CONTENTS

- | | |
|-------------------------|------------------------------|
| 1. Tray | 5. Axle Support Brackets (4) |
| 2. Strap (2) | 6. Mast Extension Straps (2) |
| 3. Spool Assemblies (4) | 7. Mast Side (2) |
| 4. Axle (2) | 8. Cross Brace |
| | 9. Weight Bracket |



HARDWARE PACK



Ref.	Qty.	Description
A	1	Hex Bolt, 1/2" x 3-1/2"
B	2	Hex Bolt, 1/2" x 2-1/4"
C	2	Hex Bolt, 1/2" x 1-1/4"
D	2	Spacer, 2.38"
E	2	Spacer, 1.65"
F	1	Hitch Pin
G	2	Spacer, 5.29"
H	9	Hex Bolt, 3/8" x 1"
I	9	Nylock Nut, 3/8"
J	5	Nylock Nut, 1/2"

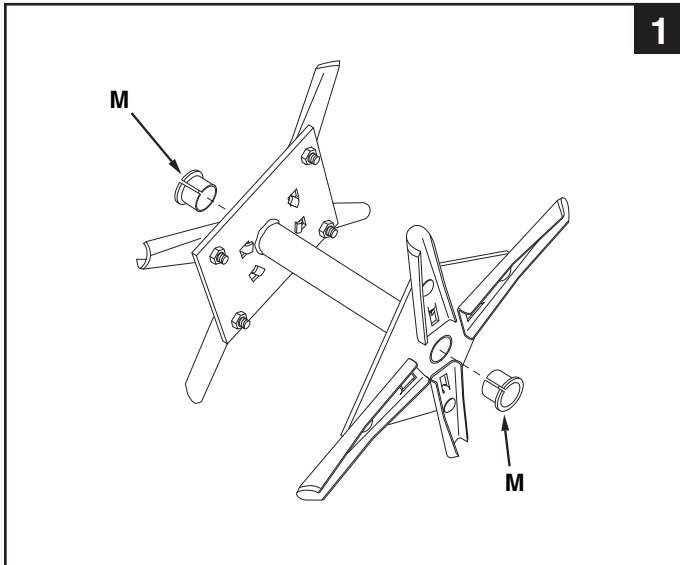
Ref.	Qty.	Description
K	16	Washer
L	4	Cotter Pin, 1/8"
M	8	Flange Bearing
N	1	Hair Cotter Pin, 3/32"
O	2	Spacer, .75"
P	1	Spacer, 1.5"
Q	2	Category 1 pin
R	2	Lock washer, 7/8"
S	2	Nut, 7/8"

ASSEMBLY INSTRUCTIONS

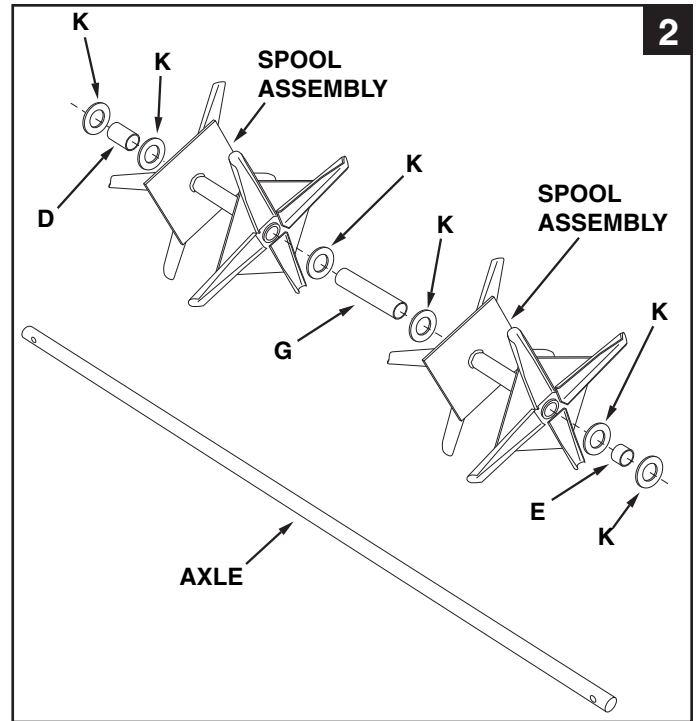
TOOLS REQUIRED FOR ASSEMBLY

- (2) Adjustable Wrench
- (2) 3/4" Open or Box End Wrench
- (2) 9/16" Open or Box End Wrench
- (2) 1/2" Open or Box End Wrench
- (1) Pliers

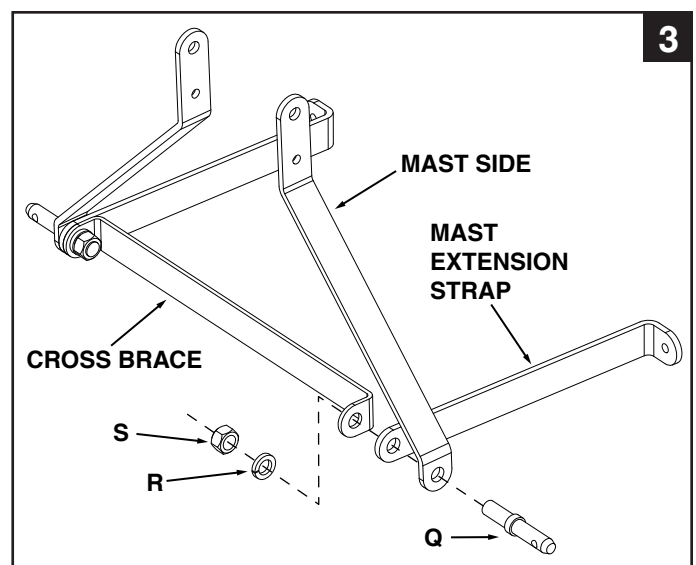
1. Push split bearings (M) into both ends of each double spool tube. See figure 1.



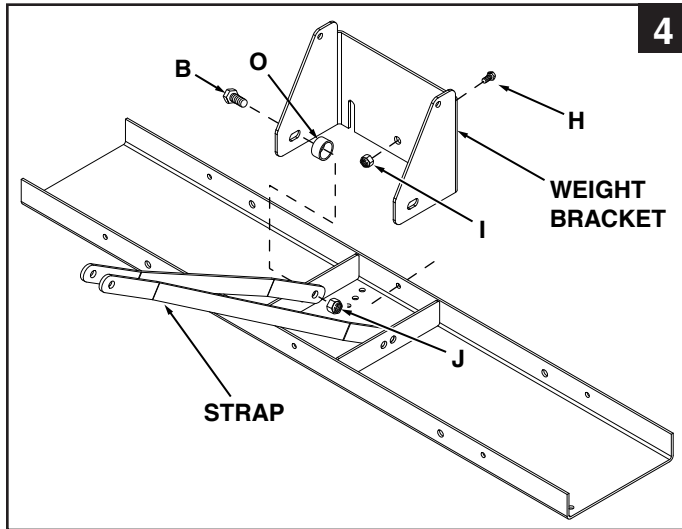
2. Assemble a washer (K), 1.65" spacer (E), a washer (K), a spool assembly, a washer (K), a 5.29" spacer (G), a washer (K), a second spool assembly, a washer (K), a 2.38" spacer (D) and a washer (K) onto each of the axles. See figure 2.



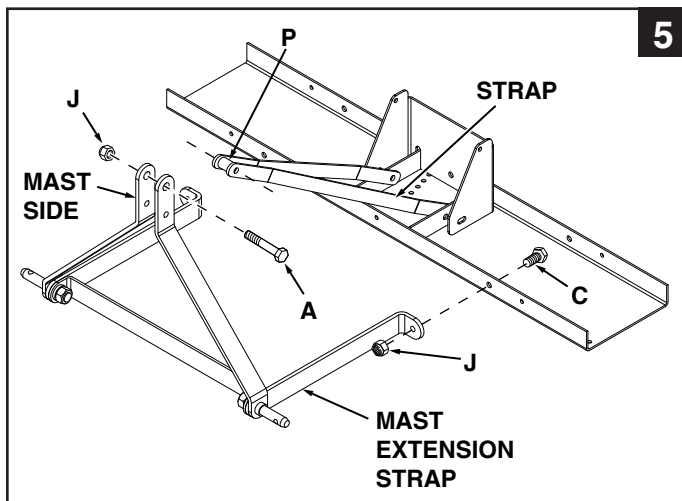
3. Assemble the cross brace, mast extension straps and mast sides together using two category 1 pins (Q), 7/8" lock washers (R) and 7/8" hex nuts (S). **Do not tighten yet.** See figure 3.



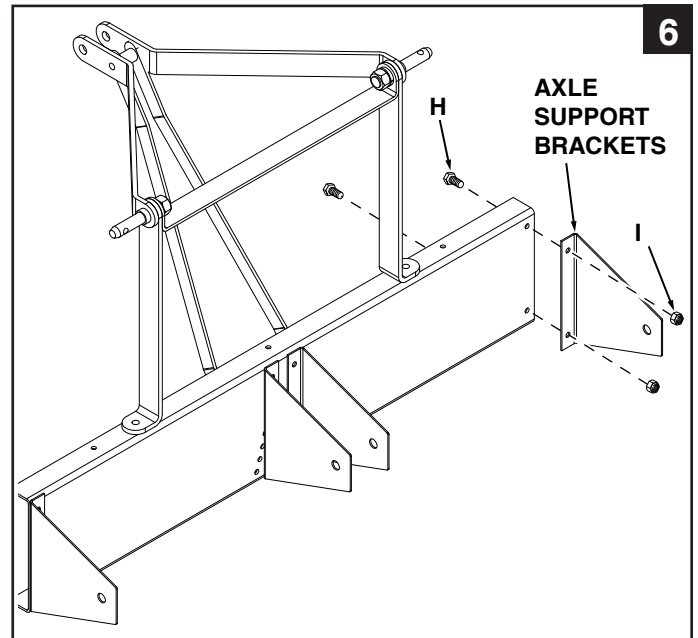
4. Attach the weight bracket to the tray using a 3/8" x 1" bolt (H) and 3/8" nylock nut (I). **Do not tighten yet.** See figure 4.
5. Assemble the straps to the holes in the weight bracket and the tray that are aligned. Use two 1/2" x 2-1/4" bolts (B), .75" spacers (O) and 1/2" nylock nuts (J). **Do not tighten yet.** See figure 4.



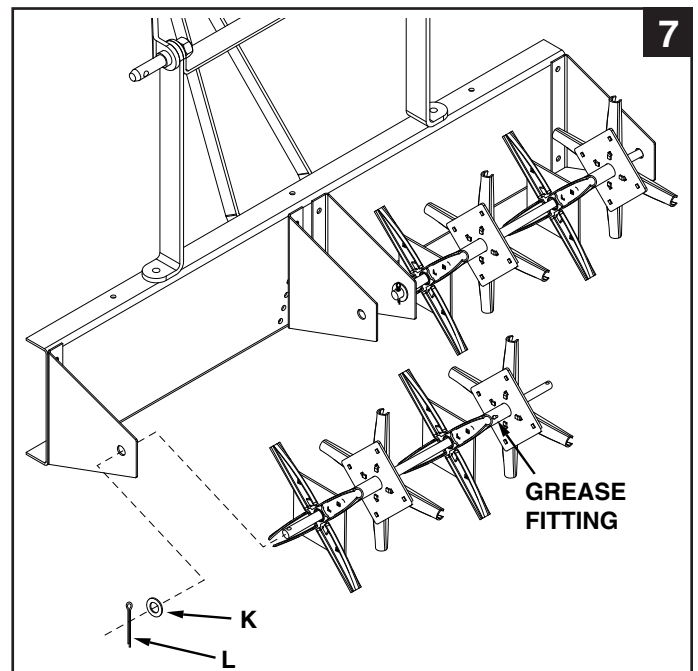
6. Attach the mast extension straps to the front of the tray using two 1/2" x 1-1/4" bolts (C) and 1/2" nylock nuts (J). **Do not tighten yet.** See figure 5.
7. Assemble the mast sides to the straps using the 1-1/2" spacer (P), 1/2" x 3-1/2" hex bolt (A) and 1/2" nylock nut (J). **Do not tighten yet.** See figure 5.
8. **Tighten** all loose nuts assembled through step 7.



9. Attach the four axle support brackets to the tray using eight 3/8" x 1" hex bolts (H) and 3/8" nylock nuts (I). **Do not tighten yet!** See figure 6.



10. Secure the axles to axle support brackets using two washers (K) and 1/8" x 1-1/2" cotter pins (L) at the ends of each axle. See figure 7.
11. **Tighten** the four axle brackets assembled in step 10. See figure 7.
12. Add grease to the spool assemblies through the grease fittings until grease is forced out the ends of the spool tubes. See figure 7.



OPERATION

BEFORE STARTING

- Mow the lawn and remove all loose clippings prior to use of the aerator.
- If the soil is extremely hard and dry, it is recommended that it be sprinkled or watered down for one or two hours prior to aerating.



CAUTION: POINTS OF AERATOR KNIVES ARE SHARP! EXERCISE CAUTION AT ALL TIMES WHILE USING THE AERATING.



CAUTION: VEHICLE BRAKING AND STABILITY MAY BE AFFECTED BY THE ADDITION OF AN ACCESSORY OR ATTACHMENT. BE AWARE OF CHANGING CONDITIONS ON SLOPES.

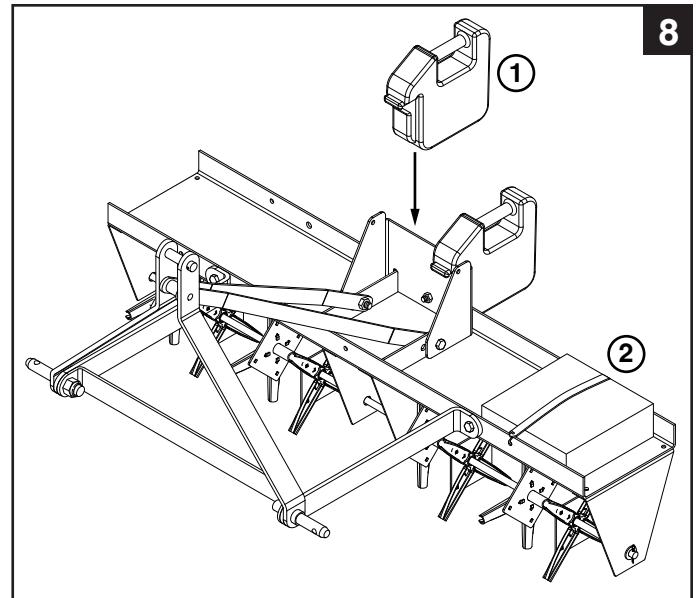
HOW TO USE YOUR PLUG AERATOR

Aerating pulls small soil plugs, ranging up to three inches in length, from the soil to create small reservoirs that will bring oxygen, fertilizer and water down into the roots. For best aerator performance, the following lawn preparations and operating procedures are recommended.

- Start vehicle in low gear and move forward at slow speed and then lower aerator. Increase speed only as conditions permit.
- Aerate in the straightest line possible, making overlapping passes to increase the plugger point pattern.
- **Avoid extremely sharp turns** with plugger points engaged in ground to prevent damage to lawn.
- **DO NOT** cross over walks or drives without first raising the aerator to the transport position.
- On sloped lawns, always aerate in an up and down direction. **DO NOT** attempt to follow the contour of the ground.
- **DO NOT** attempt to aerate if ground is too wet, or muddy.
- Due to possible small rocks and gravel which can be present in aerated soil plugs, it is recommended that the plugs be raked; otherwise damage to the lawn mower blades may arise, especially when reel type mowers are used.

- To increase the depth of plugger point penetration, up to 160 lbs. of weight may be added to the tray. Suitcase type weights (1) can be attached to the center weight bracket, or concrete blocks (2) or other weights may be tied or strapped to the top of the tray. Before adding weight, the plugger should be attached to tow vehicle and lowered to the ground. See figure 8.

NOTE: Weights must be purchased separately.

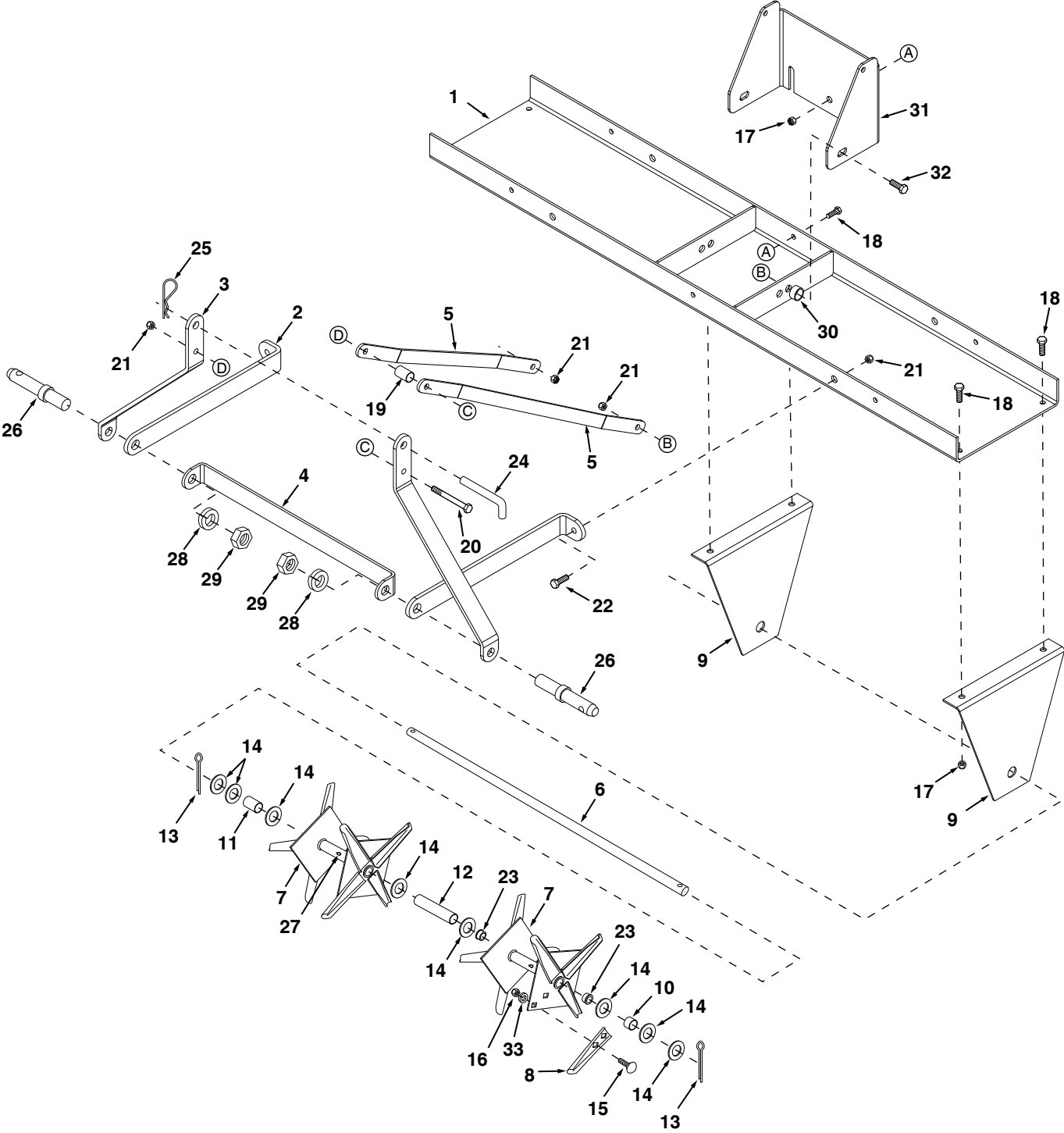


MAINTENANCE

- Check for and tighten any loose hardware before each use.
- Lubricate spool assemblies with grease at least once each season.
- Plugger points can periodically be sharpened with a small grinder to maintain good penetration. Points should be removed to sharpen. Follow original angle and contour of points when grinding.
- Clean aerator and store in a dry area when not in use.
- Clean off dirt and rust and coat exposed metal with light oil or touch up paint before storage.

NOTES

REPAIR PARTS FOR 45-0381 3-POINT PLUG AERATOR



REPAIR PARTS LIST FOR 45-0381 3-POINT PLUG AERATOR

REF. NO.	PART NO.	QTY.	DESCRIPTION
1	64781	1	Tray Frame Assembly
2	25169	2	Mast Extension Strap
3	25158	2	Mast Side
4	25154	1	Cross Brace
5	25180	2	Mast Lift Strap
6	25751	2	Aerator Axle
7	65338	4	Spool Assembly (Double)
8	24924	32	Aerator Knife
9	25752	4	Axle Support Plate
10	48665	2	Spacer, .8 x 1 x 1.65
11	44474	2	Spacer, .8 x 1 x 2.38
12	47675	2	Spacer, .8 x .91 x 5.29
13	43093	4	Cotter Pin, 1/8" x 1-1/2"
14	43009	16	Washer
15	43080	32	Carriage Bolt, 5/16" x 3/4"
16	47810	32	Nylock Nut, 5/16"
17	HA21362	9	Nylock Nut, 3/8"

REF. NO.	PART NO.	QTY.	DESCRIPTION
18	43001	9	Hex Bolt, 3/8" x 1"
19	25167	1	Spacer
20	46526	1	Hex Bolt, 1/2" x 3-1/2"
21	712-3083	5	Nylock Nut, 1/2"
22	43351	2	Hex Bolt, 1/2" x 1-1/4"
23	44798	8	Flange Bearing
24	48978	1	Pivot Pin
25	43343	1	Hair Cotter Pin, 3/32" x 2-5/16"
26	48979	2	Cat Pin, 1"
27	49798	4	Grease Fitting
28	48970	2	Hex Nut, 7/8"
29	48982	2	Lock Washer, 7/8"
30	23368	2	Spacer, .76 x 1 x .75
31	25194	1	Weight Rack
32	HA180183	2	Hex Bolt, 1/2" x 2-1/4"
33	43086	32	Lock Washer, 5/16"
	49884	1	Owner's Manual

* Purchase Common Hardware Locally

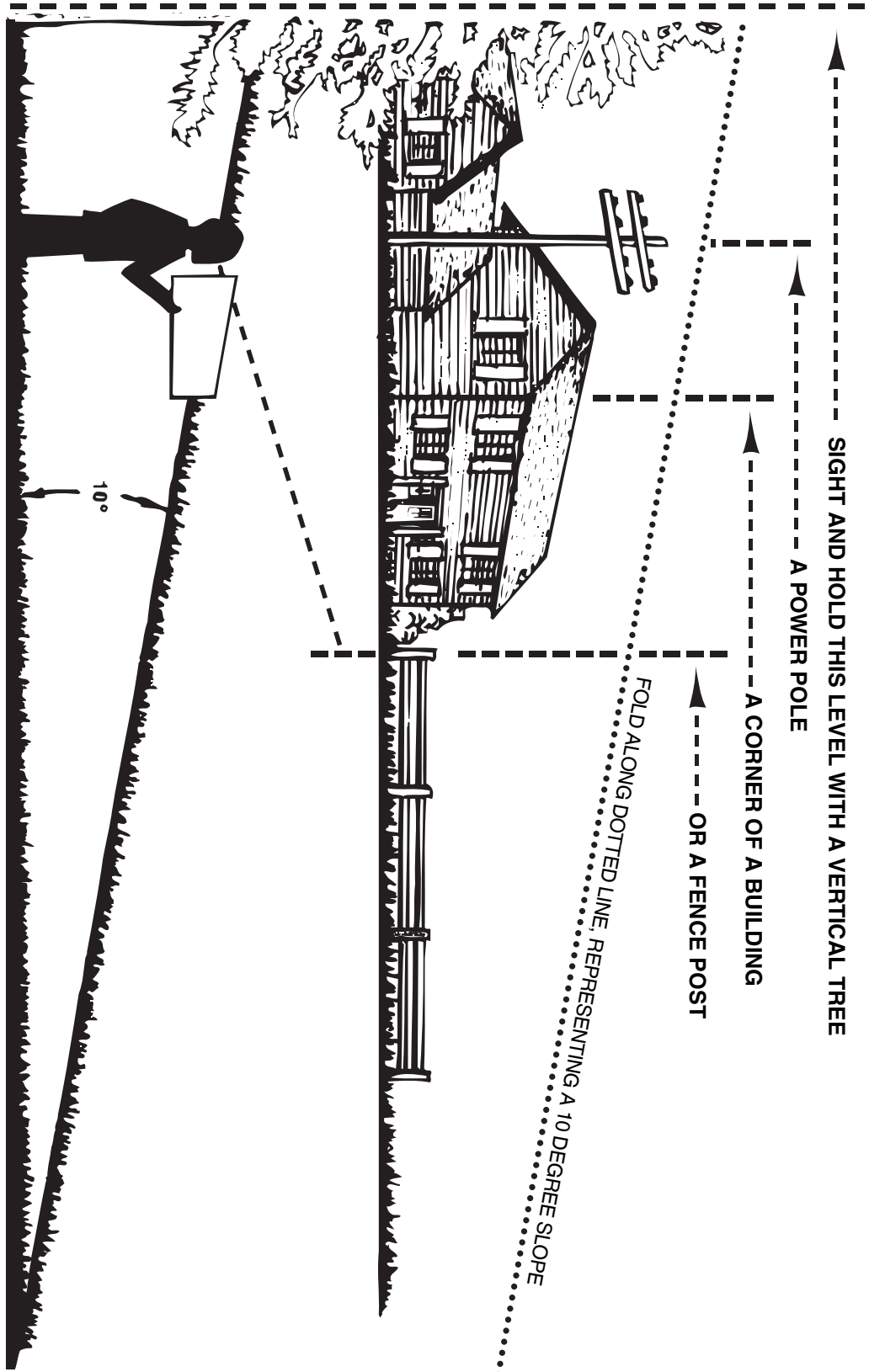
SpeedPart *the fastest way to purchase parts* www.speedepart.com

NOTES

SLOPE GUIDE

(Keep this sheet in a safe place for future reference.)

Use this guide to determine if a slope is safe for the operation of your vehicle and 3-point plug aerator. Refer also to the instructions in your vehicle owners manual.




CAUTION: DO NOT OPERATE YOUR VEHICLE AND 3-POINT PLUG AERATOR ON A SLOPE IN EXCESS OF 10 DEGREES. BE SURE OF YOUR VEHICLE'S TOWING AND BRAKING CAPABILITIES BEFORE OPERATING ON A SLOPE. AVOID ANY SUDDEN TURNS OR MANEUVERS WHILE ON A SLOPE.

SpeedEPart *the fastest way to purchase parts* www.speedepart.com

REPAIR PARTS

Agri-Fab, Inc.
809 South Hamilton
Sullivan, IL. 61951
217-728-8388
www.agri-fab.com

This document (or manual) is protected under the U.S. Copyright Laws and the copyright laws of foreign countries, pursuant to the Universal Copyright Convention and the Berne convention. No part of this document may be reproduced or transmitted in any form or by any means, electronic or mechanical, including photocopying or recording, or by any information storage or retrieval system, without the express written permission of Agri-Fab, Inc. Unauthorized uses and/or reproductions of this manual will subject such unauthorized user to civil and criminal penalties as provided by the United States Copyright Laws.

© 2006 Agri-Fab, Inc.

Free Manuals Download Website

<http://myh66.com>

<http://usermanuals.us>

<http://www.somanuals.com>

<http://www.4manuals.cc>

<http://www.manual-lib.com>

<http://www.404manual.com>

<http://www.luxmanual.com>

<http://aubethermostatmanual.com>

Golf course search by state

<http://golfingnear.com>

Email search by domain

<http://emailbydomain.com>

Auto manuals search

<http://auto.somanuals.com>

TV manuals search

<http://tv.somanuals.com>