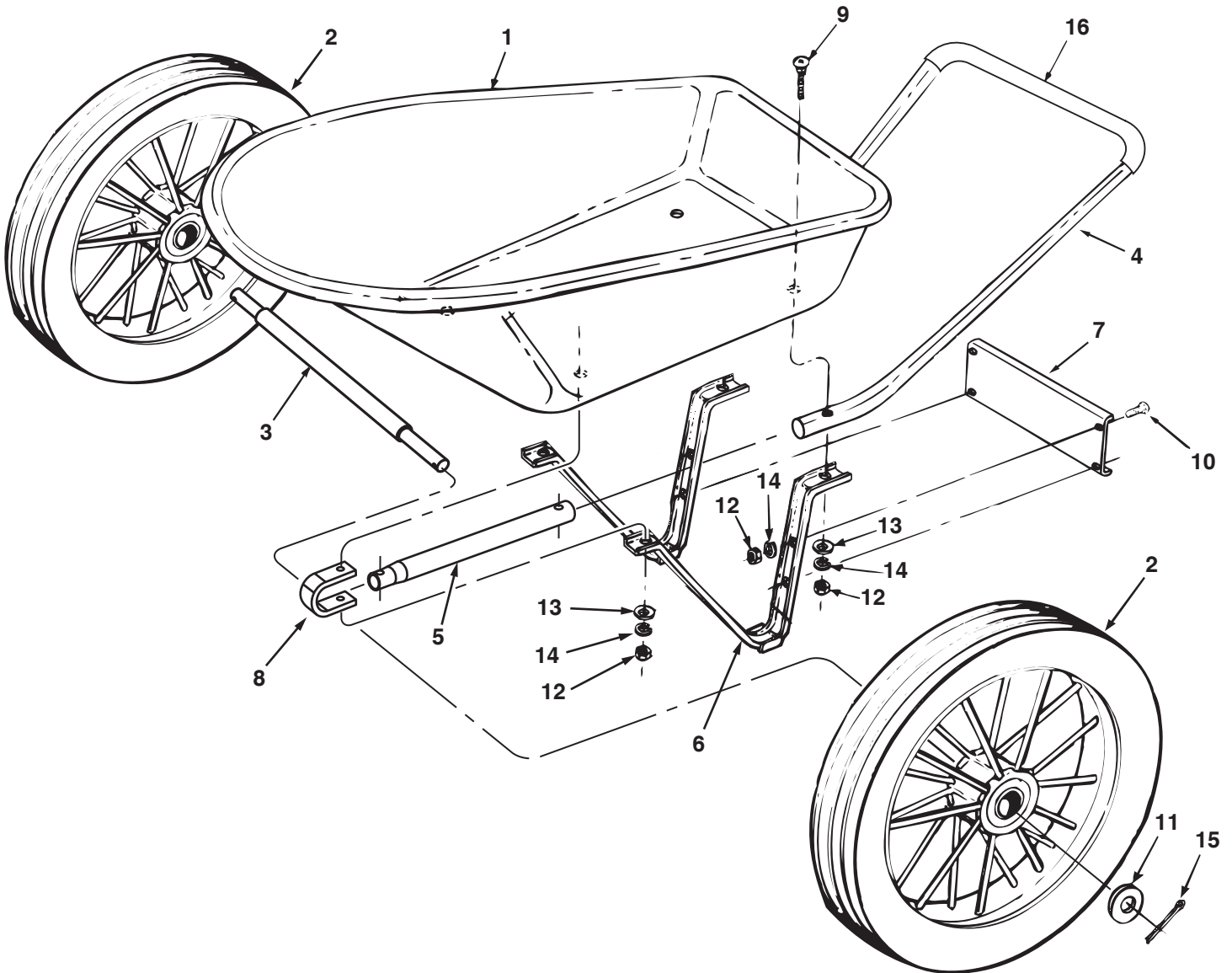


MODEL 45-02265 POLY LAWN CART



REF. NO.	PART NO.	QTY.	DESCRIPTION	REF. NO.	PART NO.	QTY.	DESCRIPTION
1	49694	1	Poly Tray	10	43182	4	Hex Bolt, 5/16" x 3/4"
2	40775	2	Wheel	11	R19171616	2	Flat Washer, Large
3	26373	1	Axle	12	43083	8	Hex Nut, 5/16"
4	49692	1	Upper Handle	13	43081	4	Flat Washer, 5/16"
5	49693	2	Handle Extension	14	43086	8	Lock Washer, 5/16"
6	44192	2	Channel Leg	15	43010	2	Cotter Pin, 1/8" x 1-1/4"
7	813139	1	Leg Brace	16	48836	1	Foam Grip
8	23878	2	U-Clamp				
9	44977	4	Carriage Bolt, 5/16" x 2"				

\*Purchase Common Hardware Locally.

## Free Manuals Download Website

<http://myh66.com>

<http://usermanuals.us>

<http://www.somanuals.com>

<http://www.4manuals.cc>

<http://www.manual-lib.com>

<http://www.404manual.com>

<http://www.luxmanual.com>

<http://aubethermostatmanual.com>

Golf course search by state

<http://golfingnear.com>

Email search by domain

<http://emailbydomain.com>

Auto manuals search

<http://auto.somanuals.com>

TV manuals search

<http://tv.somanuals.com>