

NE-NVP/C

Vandal Proof and Weather Resistant Sub Station for NEM

SBX-NVP

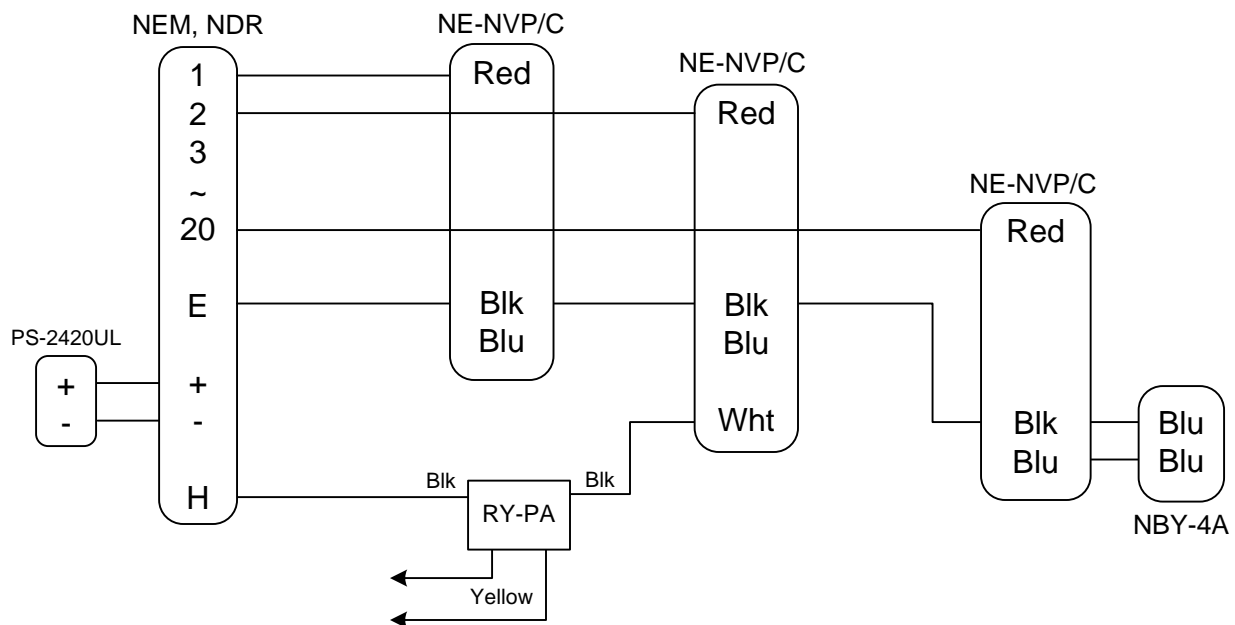
Surface Mount Box for NE-NVP/C

- INSTRUCTIONS -

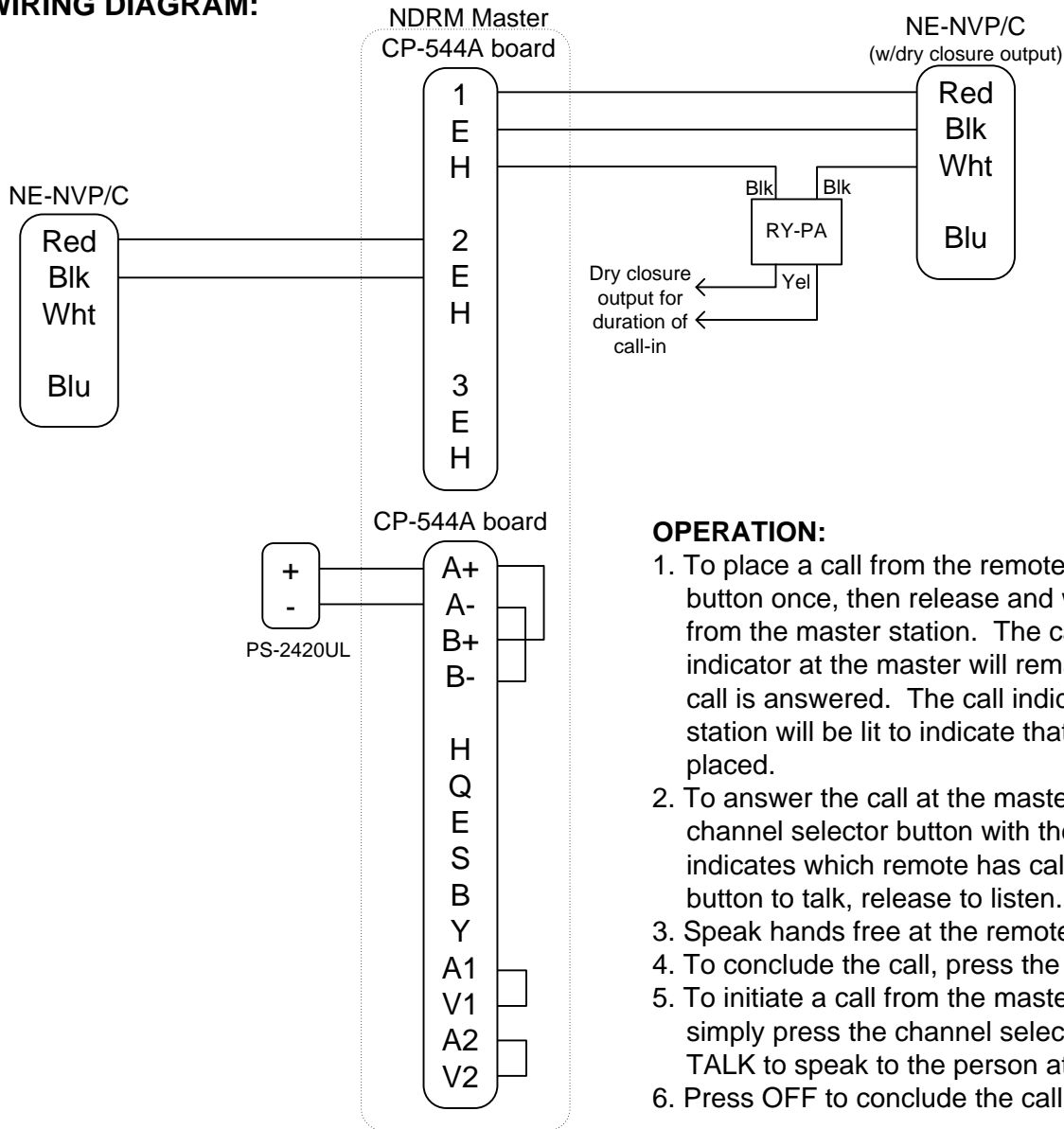
The NE-NVP/C is a vandal proof and weather resistant sub station designed for use with the NEM system. It is constructed of 12 gauge carbon steel with a white powder-coated finish. The NE-NVP/C will flush mount into a 3-gang masonry type box (Raco model 692 or equivalent) or surface mount using the SBX-NVP. Tamper proof screws and a tool for installation are included.



WIRING DIAGRAM:



WIRING DIAGRAM:



OPERATION:

1. To place a call from the remote station: Press the call button once, then release and wait for a response from the master station. The call tone and LED indicator at the master will remain activated until the call is answered. The call indicator LED on the door station will be lit to indicate that a call has been placed.
2. To answer the call at the master station: Press the channel selector button with the lit LED, which indicates which remote has called in. Press TALK button to talk, release to listen.
3. Speak hands free at the remote station.
4. To conclude the call, press the OFF button.
5. To initiate a call from the master station to the remote, simply press the channel selector button, then TALK to speak to the person at the remote.
6. Press OFF to conclude the call.

SPECIFICATIONS:

Power Source:	Supplied by master station.
Speaker:	20 ohms, 2.5" diameter, water proof and puncture resistant, 2.4 oz. ceramic magnet.
Call Button:	SPST call button, momentary activation.
Call Annunciation:	Pressing the call button at sub activates and latches call at NEM master. The master station's LED will be lit and a ringing tone will be heard until the call is answered.
Communication:	Hands free at sub. Master is push-to-talk or VOX handset.
Faceplate:	12 gauge carbon steel with powder-coated white baked epoxy finish.
Mounting Hardware:	T10 Torx tamper proof screws and tool included (6x32 for use with flush gang box)
Terminations:	Color-coded prewired pigtails
Wiring:	2 conductors homerun; or 1 common plus 1 individual per sub, looped through each sub. Shielded cable is recommended.
Wiring Distance:	Use Aiphone #822202 or #821802 for homerun wiring, #822206 for up to 5 stations on each run, or #822210 for up to 9 stations on each run.
Dimensions (HxWxD):	420' with 22AWG; 1,000' with 18AWG.
Mounting Depth:	NE-NVP/C alone: 7-1/2" x 5-1/2" x 2". With SBX-NVP: 8-5/8" x 6-5/8" x 2-1/4"
	Provide mounting box with a minimum depth of 2-1/2" to allow space for internal components.

Free Manuals Download Website

<http://myh66.com>

<http://usermanuals.us>

<http://www.somanuals.com>

<http://www.4manuals.cc>

<http://www.manual-lib.com>

<http://www.404manual.com>

<http://www.luxmanual.com>

<http://aubethermostatmanual.com>

Golf course search by state

<http://golfingnear.com>

Email search by domain

<http://emailbydomain.com>

Auto manuals search

<http://auto.somanuals.com>

TV manuals search

<http://tv.somanuals.com>