

DX 845 W
DX 865
DX 985
Titan Energy
Titan Energy X

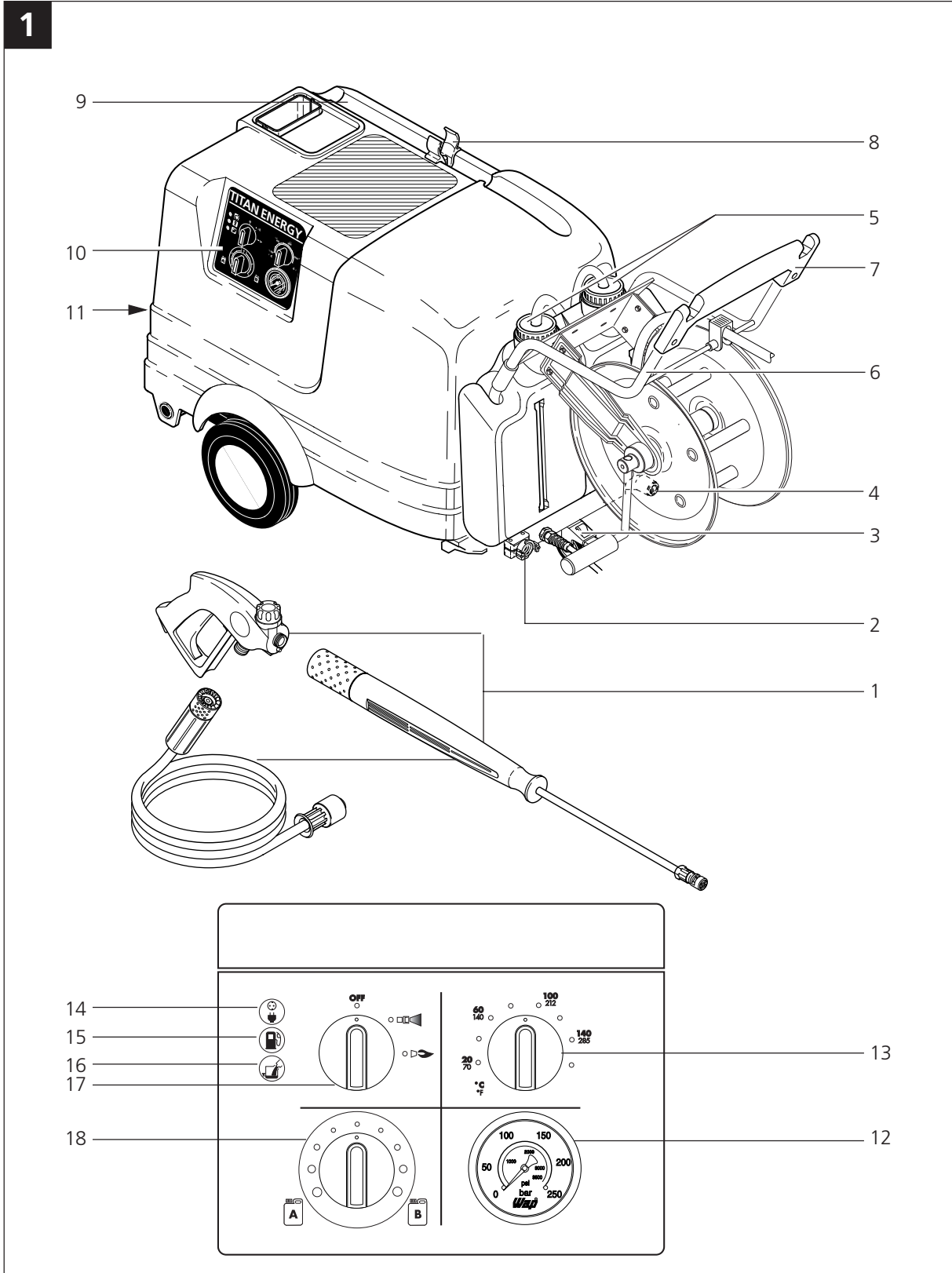


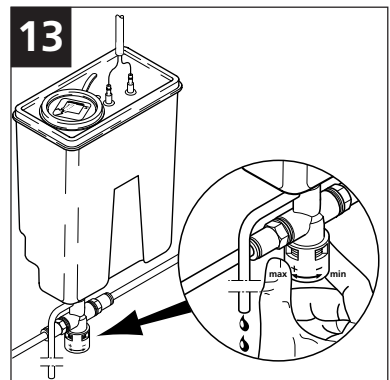
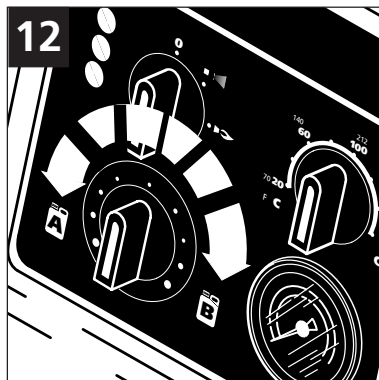
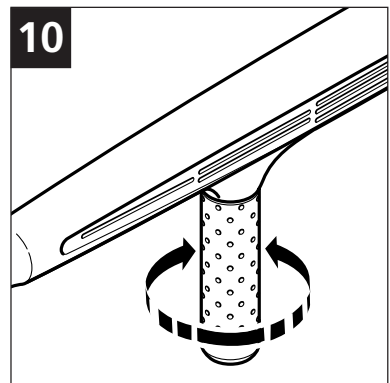
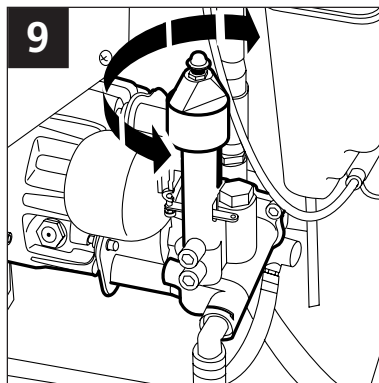
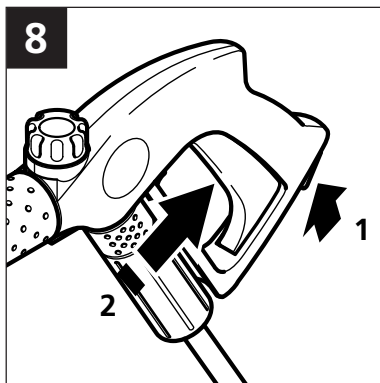
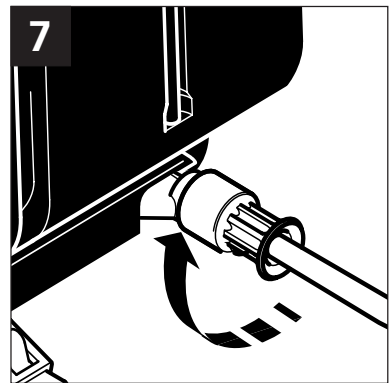
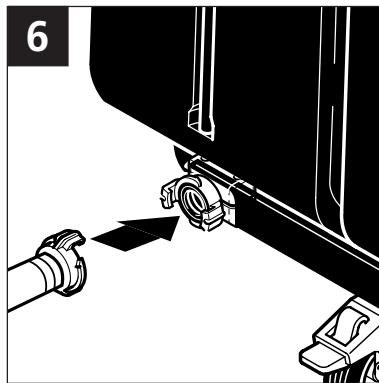
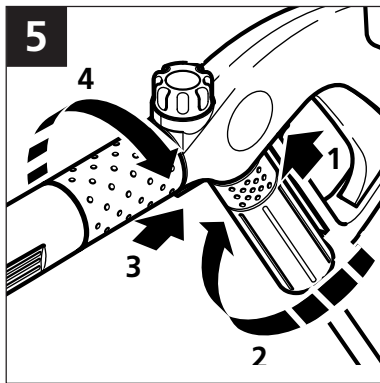
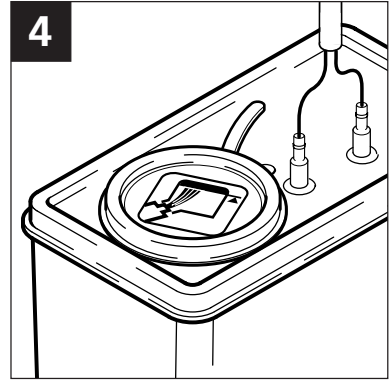
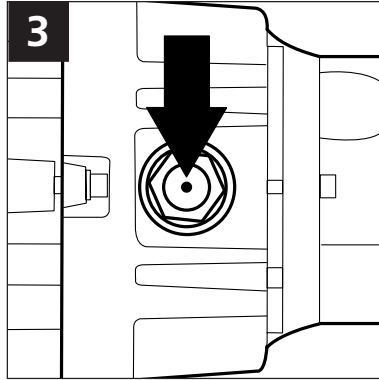
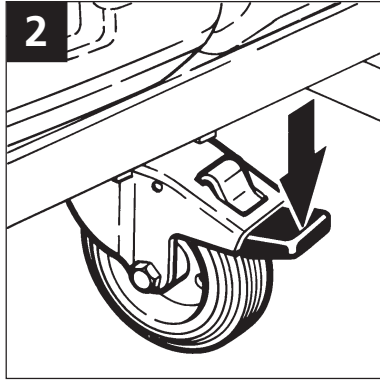
ALTO[®]
Total Cleaning
Confidence[™]

(D)	Betriebsanleitung	2
(GB)	Operating Instructions	8
(F)	Notice d'utilisation	14
(NL)	Gebruiksaanwijzing	20
(I)	Istruzioni sull'uso	26
(SF)	Käyttöohje	32
(SLO)	Navodilo za uporabo	38
(HR)	Uputstvo za rad	44
(SK)	Prevádzkový návod	50
(CZ)	Provozní návod	56
(PL)	Instrukcja obsługi	62
(H)	Kezelési utasítás	68
(E)	Instrucciones de manejo	74
(P)	Instruções de operação	80
(GR)	Οδηγίες λειτουργίας	86
(TR)	İşletme kılavuzu	92

**WAP
KEW**

TECHNOLOGIES







EG - Konformitätserklärung

Wap Reinigungssysteme GmbH & Co.
Guido-Oberdorfer-Straße 2-8
D-89287 Bellenberg

Erzeugnis: Hochdruckreiniger

Typ: DX 845 W, DX 865,
DX 985, Titan Energy, Titan Energy X

Beschreibung: IP X5, Schutzklasse I, 50 Hz.

Die Bauart des Gerätes entspricht folgenden einschlägigen Bestimmungen: EG-Maschinenrichtlinie 89/392/EWG
EG-Niederspannungsrichtlinie 73/23/EWG
EG-Richtlinie EMV 89/336/EWG

Angewendete harmonisierte Normen: EN 292
EN 60335-1, EN 60555-3
EN 50081

Angewendete nationale Normen und technische Spezifikationen: DIN EN 60335-1
E-DIN VDE 0700 T 265
IEC 335-2-79

Johan Ley
VP Tech-OP

Dipl. Ing. W. Nieuwkamp
Prüfungen und Zulassungen

Bellenberg, 21.08.2000



Déclaration de conformité CE

Wap Reinigungssysteme GmbH & Co.
Guido-Oberdorfer-Straße 2-8
D-89287 Bellenberg

Produit: Nettoyeur haute pression

Type: DX 845 W, DX 865,
DX 985, Titan Energy, Titan Energy X

Description: IP X5, Classe de protection I, 50 Hz.

La construction de l'appareil est conforme aux réglementations afférentes suivantes: Directive CE relative aux machines 89/392/EWG
Directive CE relative à basse tension 73/23/EWG
Directive CE EMV 89/336/EWG

Normes harmonisées appliquées: EN 292
EN 60335-1, EN 60555-3
EN 50081

Normes nationales et spécifications techniques appliquées: DIN EN 60335-1
E-DIN VDE 0700 T 265
IEC 335-2-79

Johan Ley
VP Tech-OP

Dipl. Ing. W. Nieuwkamp
Contrôles et homologations

Bellenberg, 21.08.2000



EU Declaration of Conformity

Wap Reinigungssysteme GmbH & Co.
Guido-Oberdorfer-Straße 2-8
D-89287 Bellenberg

Product: High Pressure Cleaner

Type: DX 845 W, DX 865,
DX 985, Titan Energy, Titan Energy X

Description: IP X5, Protection class I, 50 Hz.

The design of the unit corresponds to the following pertinent regulations: EC Machine Directive 89/392/EWG
EC Low-voltage Directive 73/23/EWG
EC EMV Directive 89/336/EWG

Applied harmonised standards: EN 292
EN 60335-1, EN 60555-3
EN 50081

Applied national standards and technical specifications: DIN EN 60335-1
E-DIN VDE 0700 T 265
IEC 335-2-79

Johan Ley
VP Tech-OP

Dipl. Ing. W. Nieuwkamp
Tests And Approvals

Bellenberg, 21.08.2000



Dichiarazione di conformità CE

Wap Reinigungssysteme GmbH & Co.
Guido-Oberdorfer-Straße 2-8
D-89287 Bellenberg

Prodotto: Pulitrice ad alta pressione

Tipo: DX 845 W, DX 865,
DX 985, Titan Energy, Titan Energy X

Descrizione: IP X5, Classe di protezione I, 50 Hz.

La costruzione dell'apparecchio è conforme alle seguenti direttive specifiche: Direttiva CE sulle macchine 89/392/EWG
Direttiva CE sulla bassa tensione 73/23/EWG
Direttiva CE sulla compatibilità elettromagnetica 89/336/EWG

Norme armonizzate applicate: EN 292
EN 60335-1, EN 60555-3
EN 50081

Norme nazionali applicate e specifiche tecniche: DIN EN 60335-1
E-DIN VDE 0700 T 265
IEC 335-2-79

Johan Ley
VP Tech-OP

Dipl. Ing. W. Nieuwkamp
Controlli e omologazioni

Bellenberg, 21.08.2000



Atestado de conformidad de la UE

Wap Reinigungssysteme GmbH & Co.
Guido-Oberdorfer-Straße 2-8
D-89287 Bellenberg

Producto: Máquina de limpieza a alta presión

Modelo: DX 845 W, DX 865,
DX 985, Titan Energy, Titan Energy X

Descripción: IP X5, Clase de protección I, 50 Hz.

La construcción de la máquina corresponde a las siguientes normas específicas: R. de la UE para máquinas 89/392/EWG
R. de la UE para baja tensión 73/23/EWG
R. de la UE para la compatibilidad electromagnética 89/336/EWG

Normas armonizadas aplicadas: EN 292
EN 60335-1, EN 60555-3
EN 50081

Normas nacionales aplicadas y especificaciones técnicas: DIN EN 60335-1
E-DIN VDE 0700 T 265
IEC 335-2-79

Johan Ley
VP Tech-OP

Dipl. Ing. W. Nieuwkamp
Pruebas y homologaciones

Bellenberg, 21.08.2000



EG-Verklaring van overeenstemming

Wap Reinigungssysteme GmbH & Co.
Guido-Oberdorfer-Straße 2-8
D-89287 Bellenberg

Produkt: Hogedrukreiniger

Type: DX 845 W, DX 865,
DX 985, Titan Energy, Titan Energy X

Beschrijving: IP X5, Beschermklasse I, 50 Hz.

De constructie van het apparaat voldoet aan de volgende van toepassing zijnde voorschriften: EG-machinerichtlijn 89/392/EWG
EG-laagspanningsrichtlijn 73/23/EWG
EG-richtlijn EMV 89/336/EWG

Toegepaste geharmoniseerde normen: EN 292
EN 60335-1, EN 60555-3
EN 50081

Toegepaste nationale normen en technische specificaties: DIN EN 60335-1
E-DIN VDE 0700 T 265
IEC 335-2-79

Johan Ley
VP Tech-OP

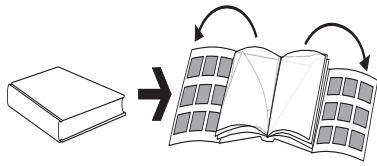
Dipl. Ing. W. Nieuwkamp
Keuringen en vergunningen

Bellenberg, 21.08.2000

GB



READ THE OPERATING INSTRUCTIONS AND OBSERVE THE ENCLOSED SAFETY NOTES!



GENERAL

Your Alto high-pressure cleaner has been developed specially for professional use.

If you observe these operating instructions and comply with the notes given, your high-pressure cleaner will help you in your cleaning work for many years to come.

Use only Alto products developed for your high-pressure cleaner as cleaning agents.

We observe time and again that faults are due to the use of unsuitable products.

The following table gives an overview of the potential applications and of the corresponding Alto cleaning agents.

Unsuitable cleaning agents lead to poor cleaning results and cause damage to the machine. Predilute the concentrate as instructed.	No.	Pure or pre-diluted	pH value in 1% solution approx.
Alto AutoActive Intensive acting concentrate against dust, soot, greases, oils and insect residues. For delicate surfaces.	81218	1:10	9,5
Alto Intensive Multi-purpose concentrate for heavy soiling on engines, machine parts, in workshops, on trucks and on tarpaulins.	81227	1:10	9,1

Further highly effective cleaning and care agents can be found in the catalogue "Alto Cleaning and Care Agents".

DESCRIPTION (FIG. 1)

- 1 RotoFix high-pressure spray lance with VarioPress trigger gun¹⁾
- 2 Water connection
- 3 Steering roller with parking brake
- 4 High-pressure connection
- 5 Cleaning agent tank
- 6 Mains cable storage point
- 7 Hose storage point
- 8 Spray lance storage clip
- 9 Exhaust pipe
- 10 Operating panel
- 11 Fuel tank
- 12 Pressure gauge
- 13 Temperature controller
- 14 Operation indicator light
- 15 Fuel shortage indicator
- 16 Scale alarm¹⁾
- 17 Operating mode switch
- 18 Cleaning agent metering knob

BEFORE STARTING WORK

If the machine is to be operated at fuel stations or in other potentially hazardous areas, the machine may only be employed outside the hazard areas defined in the "Technical Guidelines for Inflammable Fluids" applicable at the point of use due to the potential explosion hazard posed by the burner.

If the machine is to be operated indoors, the local building regulations must be observed for the discharge of the exhaust fumes into the atmosphere. Ensure an adequate supply of fresh air.

If the machine is to be connected to a flue gas stack, the state

building regulations must be observed. We will be glad to provide tips for connection systems, on request.

The machine must be supervised at all times so that the operator can notice when the flame goes out.

- ⇒ Secure the machine with the parking brake (**Fig. 2**).
- ⇒ Check the oil level in the high-pressure pump (**Fig. 3**).
- ⇒ Fill the cleaning agent tank with prediluted Alto cleaning agent.
- ⇒ With the machine cold: Pour fuel (fuel oil EL, biodiesel E to DIN 51 606 or diesel fuel to DIN 51 603) into the fuel tank. The fuel must be free from contamination.
 - Tank capacity: 30 litres





Unsuitable fuels must not be used as they can represent a source of danger.

- ☞ At temperatures below 8° C, the fuel oil begins to solidify (paraffin precipitation). This can lead to difficulties in starting the burner. Before the winter period either add a solidification point / flow improver (available from the fuel oil trade) to the fuel or use winter diesel fuel.
- ⇒ Fill the tank for the Alto automatic scale alarm system. "Alto Anti-Stone" prevents any deposits of scale and acts at the same time as a corrosion inhibitor. Use the bottle supplied with the pack for filling (Fig. 4). For compatibility reasons, use only the tested "Alto Anti-Stone". Order the refill pack 6 x 1000 ml, No. 8466, in good time.
- ⇒ Screw the high-pressure hose firmly onto the VarioPress trigger gun¹⁾, pushing back the slide of the locking pin (Fig. 5/ 1 + 5/2).
- ⇒ Securely tighten the screw of the Roto-Fix high-pressure spray lance, at the same time pushing back the slide of the locking pin (Fig. 5/3 + 5/4).
- ⇒ Connect the water hose (Fig. 6). The use of a fabric-reinforced water hose with a nominal diameter of at least 1/2" (13 mm) is recommended.
- ⇒ Connect the high-pressure hose to the high-pressure connection. Ensure that the union nut is securely tightened (Fig. 7)!
- ⇒ Turn on the water tap.
- ⇒ Insert the plug of the cleaner into the plug socket.



STARTING OPERATION

- ☞ The pipework of the machine is filled with antifreeze. Collect the first liquid (approx. 5 litres) which comes out of the spray gun in a suitable vessel for further use.

COLD WATER OPERATION



- ⇒ Release the lock of the trigger gun and press the trigger (Fig.8).
- ⇒ Turn the operating mode switch to position .
 - > The function test of the displays on the operating panel starts.
 - All the indicator lights come on briefly, then the indicator light  comes on continuously to indicate that the machine is ready for operation.
- ⇒ Operate the trigger of the trigger gun several times at short intervals to bleed the system.

HOT WATER OPERATION

- ⇒ Select the temperature (20-100° C).
- ⇒ Release the lock of the trigger gun and press the trigger (Fig.8).
- ⇒ Turn the operating mode switch to position .
- ⇒ When a steady jet emerges from the high-pressure nozzle, turn the operating mode switch to position .

Using a special device¹⁾, the condensate coming out of the heat exchanger can be collected and disposed of in accordance with the local sewage regulations; water poured in and emerging at the nozzle then has the same composition.

STEAM OPERATION (OVER 100° C)¹⁾

Replace the standard high-pressure nozzle with the steam spray nozzle (No. 6692)¹⁾. Set the thermostat to a temperature of above 100° C. Turn the rotary knob on the safety control block completely to the left (anticlockwise direction) (Fig. 9). Release the lock of the trigger gun and press the trigger. Turn the operating mode switch to position . When a steady jet emerges from the steam spray nozzle, turn the operating mode switch to position .

OPERATION OF THE ROTOFIX HIGH-PRESSURE SPRAY LANCE

GB

The RotoFix high-pressure spray lance allows the spray lance to be turned for pressure-free operation:

- ⇒ Push back the slide of the locking pin (Fig. 5).
- ⇒ Turn the screw fitting of the RotoFix high-pressure spray lance until the pin engages in the next bore.

OPERATION OF THE COAXIAL SPRAY LANCE¹⁾

- ⇒ The working pressure can be steplessly varied by turning the handle of the spray lance, but with a constant volume of water (Fig. 10).

OPERATION OF THE PRESSURE AND WATER VOLUME CONTROLLER

DX 845 W:

- ⇒ The rotary knob on the safety control block allows the pressure and water volume to be steplessly varied (Fig. 9).

DX 865, DX 985, TitanEnergy, TitanEnergy X:

Stepless variation of pressure and water volume

- ⇒ Continuous operation = Rotary knob on the safety control block (Fig. 9).
- ⇒ Brief operation = Rotary knob on the VarioPress trigger gun¹⁾ (Fig. 11).

The set pressure can be read off from the pressure gauge.

USE OF CLEANING AGENTS

- ⇒ Predilute cleaning agents as described under "General" and pour into the cleaning agent tank.
- ⇒ Set the desired concentration of the cleaning agent (table, see section "General") at the metering valve (Fig. 12).
- ⇒ Spray the object to be cleaned.
- ⇒ Allow the cleaning agent to



¹⁾ Option / model variants

GB


work, depending on the degree of soiling, then rinse off with the high-pressure spray jet.

The cleaning agent must not be allowed to dry on the surface!

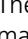
FINISHING OPERATION AND STORAGE

- ⇒ Turn the metering valve to position .
- ⇒ Turn the operating mode switch to position .
- ⇒ Allow the machine to run for approx. 1 minute, then turn the operating mode switch to position OFF.
- ⇒ Actuate the trigger gun until the machine is completely depressurised.
- ⇒ Insert the safety lock (**Fig. 8/1**).
- ⇒ Turn off the water tap.
- ⇒ Pull the machine plug out of the plug socket and coil up the mains cable.
- ⇒ Disconnect the water hose from the machine.
- ⇒ Store the machine in a frost-proof room where it is safe from unauthorised use.

If the machine cannot be stored in a frost-proof room, proceed as follows:

- ⇒ Turn off the water tap.
- ⇒ Turn the operating mode switch to position  and actuate the trigger gun
- ⇒ Gradually pour antifreeze (approx. 5 litres) into the water tank.
- ⇒ The machine is protected against frost when antifreeze solution emerges from the nozzle of the spray lance.
- ⇒ When the machine is put into service again, the antifreeze solution can be collected and stored for future use.

SERVICE AND MAINTENANCE

The maintenance operations marked with  should only be carried out by the Alto service technician.

MAINTENANCE SCHEDULE

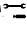
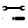
Weekly or every 40 operating hours

- ⇒ Check the oil level


Every 3 months or every 200 operating hours

- ⇒ Change the pump oil
- ⇒ Pump system
- ⇒ Flame sensor

Annually or every 500 operating hours

- ⇒ Heat exchanger and ignition system 
- ⇒ Fuel system 

As required

- ⇒ Grease the manual screw fittings on the spray lance and high-pressure hose
- ⇒ Descale the system 

OIL LEVEL CHECK / OIL CHANGE

Check the oil level in the high-pressure pump regularly at the oilglass (**Fig. 3**).

- ⇒ Top up with oil when required.
- ⇒ If the oil has a grey or white shade, change the oil. Unscrew the oil drain plug on the pump housing and dispose of the old oil in accordance with the disposal regulations.
- ⇒ Renew the drain plug gasket and screw in the plug again.
- ⇒ Fill with oil and close the oil filler plug.

Oil grade: AlphaSynt 150
(Order-no. 5218433)
Oil capacity: DX 0.35 l

PUMP SYSTEM

- ⇒ Clean the screens and filter in the water inlet line (float valve, high-pressure pump inlet).
- ⇒ Grease the manual screw fittings on the spray lance and high-pressure hose.

FLAME SENSOR

- ⇒ Remove the sensor and clean with a soft cloth.
- ⇒ Ensure that the sensor is correctly seated when installing again.

HEAT EXCHANGER AND IGNITION SYSTEM

- ⇒ Have cleaning carried out by the Alto service technician, see "Maintenance schedule".

FUEL SYSTEM

- ⇒ Empty the fuel tank. Clean the tank and fuel lines.
- ⇒ Dispose of the cleaning fluid in accordance with the disposal regulations.

SETTING OF THE ALTO AUTOMATIC SCALE ALARM SYSTEM

The automatic scale alarm system is set at the factory to water hardness class 2. Should an adjustment be necessary, proceed as follows:


- ⇒ Measure the water hardness or ask your water supply company.
- ⇒ Set the number of drops per minute (see table) at the metering device (**Fig. 13**).

Hardness class	°dH	Drops/min.
1 soft	0-7	10
2 medium-hard	7-14	20
3 hard	14-21	30
4 very hard	>21	40

1°dH = 1,25°e = 1,79°f

DESCALING 

Descaling agents cause burns. Avoid contact with the skin, eyes and clothes. Wear appropriate protective clothing (e.g. gloves, face mask, apron). Only approved scale removers may be used for descaling. Use Alto Stone-EX, No. 81236

 With regular use of Alto Anti-Stone, descaling will normally not be necessary.

Incorrect operation of the machine or the use of non-approved cleaning agents can cause deposits in the pipework system. Scaling is caused by the water hardness and is indicated by a gradual increase in the water pressure displayed on the pressure gauge.

If the working pressure is exceeded by 10 bar (with the Vario-Press trigger gun open), the system must be descaled.

Procedure:

- ⇒ Unscrew the high-pressure nozzle from the spray lance and place separately in the Alto scale remover.
- ⇒ Draw in Alto scale remover via the metering valve by hanging a cleaning agent hose into the scale remover bottle and setting the metering valve to maximum concentration.
- ⇒ Hold the spray lance in a separate container to collect the discharged liquid.
- ⇒ Switch on the high-pressure pump.
- ⇒ Actuate the trigger gun. Alto scale remover is drawn in and emerges from the spray lance foaming vigorously after approx. 1 minute.
- ⇒ Switch off the high-pressure pump and allow the scale remover to work for approx. 15 minutes.
- ⇒ Flush out the pump system well with clean water.
- ⇒ After approx. 2 minutes, a

steady jet of water must emerge at the water outlet tube. If this is not the case, repeat the descaling procedure.

- ⇒ Screw the high-pressure nozzle onto the spray lance.

FROST PROTECTION

If the high-pressure cleaner is stored in a room in which temperatures of below 0° C can occur, antifreeze must first be flushed through the pump.

During the flushing process, actuate the trigger gun 2 or 3 times.

In order to avoid any risk, the machine should preferably be stored for a short period in a heated room before it is put into service again.






¹⁾ Option / model variants

GB

TROUBLESHOOTING



Before working on the machine, remove the mains lead plug and depressurise the machine.

FAULT	CAUSE	REMEDY
‡ Display  does not light up, machine does not start	> Fault in the mains cable	⇒ Have electrical connection checked
‡ Display  flashes rapidly (5x per second), motor has cut out and will not start again	> Motor overheated	⇒ Clean or replace clogged high-pressure nozzle ⇒ Set the VarioPress control knob on the trigger gun to a higher pressure ⇒ Possible phase failure; have electrical connection checked
‡ Display  is lit continuously	> Anti-Stone concentrate container empty	⇒ Top up anti-scale concentrate container
‡ Display  is lit continuously	> Fuel tank empty > Contamination or water in fuel > Burner sooted	⇒ Top up fuel tank ⇒ Clean fuel tank and pipework ⇒ Have burner setting checked
‡ Display  flashes slowly (1x per second)	> Inadequate water inlet > Cleaning agent tank empty > Pressure and volume controller or VarioPress trigger gun set too low	⇒ Use water hose with at least 1/2 " diameter, clean filter in water inlet ⇒ Top up cleaning agent tank ⇒ Set pressure and volume controller or VarioPress control knob on the trigger gun to a higher pressure
‡ Display  flashes rapidly (5x per second), burner will not start again	> Flame sensor sooted > Fault in ignition or fuel system	⇒ Remove and clean ⇒ Call service technician
‡ Machine stops and starts intermittently with the trigger gun open	> High-pressure nozzle soiled > Machine scaled	⇒ Clean or replace high-pressure nozzle ⇒ Descale according to the instructions
‡ Machine stops and starts intermittently with the trigger gun closed	> Trigger gun leaking > High-pressure hose, high-pressure screw fitting or pipework leaking	⇒ Inspect the trigger gun ⇒ Retighten screw fittings, replace high-pressure hose or pipework
‡ Pressure too low	> Cleaning agent tank empty > High-pressure nozzle worn > Pressure and volume controller or VarioPress trigger gun set too low > Filter in water inlet clogged > High-pressure pump drawing in air > Suction or pressure valve of high-pressure pump soiled or defective	⇒ Top up cleaning agent tank ⇒ Replace high-pressure nozzle ⇒ Set pressure and volume controller or VarioPress control knob on the trigger gun to a higher pressure ⇒ Clean filter ⇒ Repair leaks ⇒ Clean or replace valves
‡ Cleaning agent is not drawn in	> Cleaning agent tank empty > Sludge in cleaning agent tank > Suction valve at cleaning agent inlet soiled	⇒ Top up cleaning agent tank ⇒ Clean cleaning agent tank ⇒ Remove suction valve and clean or replace

TECHNICAL DATA

GB

		DX 845	DX 865	TitanEnergy		DX 985	TitanEnergyX
Working pressure	bar	100-30	170-30	190-30	180-30	200-30	180-30
Permissible overpressure	bar	200/32	250/32	250/32	250/32	250/32	180-30 (UK) 250/32
Volumetric flow	l/h	700-400	800-400	900-400	900-400	980-400	200/32 (UK) 900-400
Permissible temperature	°C	80...140	80...140	80...140	80...140	75...140	700-400 (UK) 80...140
Voltage 230 V AC		EU					UK
Voltage 200 V 3-phase AC			JP	JP			
Voltage 220 V 3-phase AC			KR	KR			
Voltage 230 V 3-phase AC		E,B,N	E,B,N	E,B,N		E,B,N	E,B,N
Voltage 380 V 3-phase AC							
Voltage 380-415 V 3-phase AC			EU	EU		EU	EU
Voltage 400-415 V 3-phase AC					UK		
Frequency	Hz	50	50	50	50	50	50
Rated power	kW	3,0	5,6	6,9	6,6	7,9	6,6
Fuse	A	16	16	16	16	16	16
		13 (UK)	20 (JP,KR)	25 (JP,KR)			13 (UK)
Protection class		I	I	I	I	I	I
Type of protection		X5	X5	X5	X5	X5	X5
Water volume of the heater coil	l	3,5	3,5	3,5	3,5	3,5	3,5
Heating capacity	kW	62	62	62	62	62	62
Fuel tank capacity	l	30	30	30	30	30	30
Cleaning agent tank capacity	l	2x15	2x15	2x15	2x15	2x15	2x15
Permissible water inlet pressure	bar	10	10	10	10	10	10
Dimensions L x W x H	mm		1060 x 705 x 758			1560x705x758	
Machine weight		154	161	173	173	175	188
(weight of trigger gun)	kg	5	5	5	5	5	5
Sound pressure level at a distance of 1 m from the machine DIN 45635	dB(A)	79,9	82,6	83,5	83,5	84,4	83,5
Oil fill capacity	l	0,35	0,35	0,35	0,35	0,35	0,35
Recoil forces	N	28	41	47	47	54	47
							28(UK)

Please observe the technical data on

GUARANTEE

Our general terms and conditions apply to the guarantee and warranty.

Changes in line with technical innovation reserved.

INSTRUCTIONS FOR DISPOSAL

At the end of the machine's service life:

- ⇒ Remove the mains lead plug.
- ⇒ Cut through the mains lead.
- ⇒ Take the machine and the mains lead to your local electrical appliance recycling collection point.

Free Manuals Download Website

<http://myh66.com>

<http://usermanuals.us>

<http://www.somanuals.com>

<http://www.4manuals.cc>

<http://www.manual-lib.com>

<http://www.404manual.com>

<http://www.luxmanual.com>

<http://aubethermostatmanual.com>

Golf course search by state

<http://golfingnear.com>

Email search by domain

<http://emailbydomain.com>

Auto manuals search

<http://auto.somanuals.com>

TV manuals search

<http://tv.somanuals.com>