

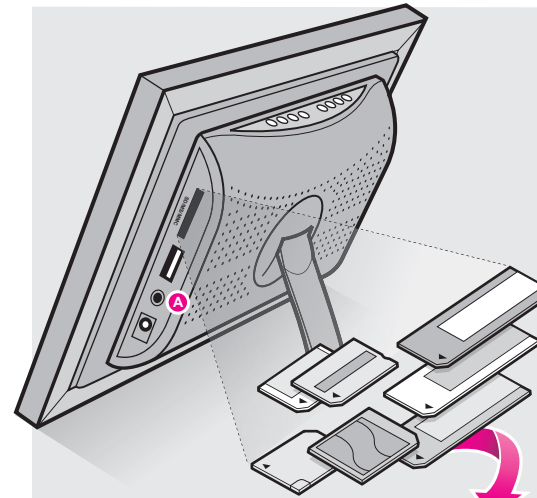


7" Digital Photo Frame

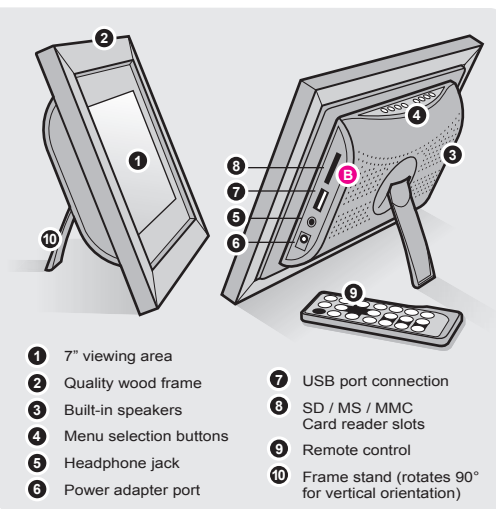
View pictures / Listen to music / Watch movies and home videos!

Features

- Easy operation as most file formats are automatically recognized
- High quality wooden frame
- High quality built-in speakers
- 7" TFT true color LCD
- Supports most memory card formats such as: **SD / MS / MMC**
- Supports various picture / video / audio formats such as: **JPEG, BMP, MPEG4, AVI, MP3 and WMA**
- Setup slideshows with background music
- Built-in calendar and timer to turn on / off frame
- Connect your personal computer, digital camera, digital camcorder or USB drive and easily transfer your favorite pictures, music, or videos with hi-speed USB 2.0
- Can be displayed on a table top with the included frame stand (rotates 90° for vertical orientation)
- Ease of operation and control with the included remote
- 120 day limited warranty and lifetime toll free tech support



A Insert any of the following memory cards:
**Secure Digital (SD); MMC; RS-MMC*;
 Memory Stick (MS); Memory Stick Pro;
 Memory Stick Duo*;** and **Memory Stick Pro Duo**
 * adapter required



- 1** 7" viewing area
- 2** Quality wood frame
- 3** Built-in speakers
- 4** Menu selection buttons
- 5** Headphone jack
- 6** Power adapter port
- 7** USB port connection
- 8** SD / MS / MMC Card reader slots
- 9** Remote control
- 10** Frame stand (rotates 90° for vertical orientation)

-OR- **B** Connect your digital camera, digital camcorder or USB drive through the unit's USB ports

Specifications

Brightness	250cd / m ² max
Compatible Memory Cards	SD / MS / MMC
Console Connector	1 x USB Type-A, 1 x USB mini-B
Contrast Angle	250:1
Display Area	7 in. (6 in. x 3.31 in.)
Operating Temperature	-10°C~40°C (14°F~104°F)
Input Voltage	Ac110 / 240V
Media Formats	JPEG, BMP, MPEG4, AVI, MP3 and WMA
Storage Temperature	20°C~60°C (-4°F~140°F)
Unit Dimensions (L x W x H)	9 in. x 1.5 in. x 7 in. (22.9 cm x 3.8 cm x 17.8 cm)
Unit Weight	1.2 lbs.
Viewing Angle	65° (left or right)

Package Contents

- 7" Digital Photo Frame
- Remote Control
- Power Adapter
- Instructional Manual
- Warranty / Registration Card



Free Manuals Download Website

<http://myh66.com>

<http://usermanuals.us>

<http://www.somanuals.com>

<http://www.4manuals.cc>

<http://www.manual-lib.com>

<http://www.404manual.com>

<http://www.luxmanual.com>

<http://aubethermostatmanual.com>

Golf course search by state

<http://golfingnear.com>

Email search by domain

<http://emailbydomain.com>

Auto manuals search

<http://auto.somanuals.com>

TV manuals search

<http://tv.somanuals.com>