

## **INSTALLATION AND OPERATION MANUAL**

<b>MODEL 2664</b>	<b>MODEL 2934</b>	<b>MODEL 3572</b>
<b>MODEL 2709</b>	<b>MODEL 2935</b>	<b>MODEL 3573</b>
<b>MODEL 2711</b>	<b>MODEL 2938</b>	<b>MODEL 3574</b>
<b>MODEL 2742</b>	<b>MODEL 2939</b>	<b>MODEL 3575</b>
<b>MODEL 2748</b>	<b>MODEL 2940</b>	<b>MODEL 3581</b>
<b>MODEL 2806</b>	<b>MODEL 2941</b>	<b>MODEL 3582</b>
<b>MODEL 2903</b>	<b>MODEL 2942</b>	<b>MODEL 3583</b>
<b>MODEL 2908</b>	<b>MODEL 2943</b>	<b>MODEL 3584</b>
<b>MODEL 2932</b>	<b>MODEL 2944</b>	<b>MODEL 6060</b>
<b>MODEL 2933</b>	<b>MODEL 2945</b>	<b>MODEL 7236</b>
	<b>MODEL 3571</b>	

## **BATHTUBS, WHIRLPOOLS, AIR BATHS AND COMBINATION TUBS WITH OPTIONAL CHROMATHERAPY**

### ***THANK YOU...***

for selecting an American Standard bath. Your new bath is shipped to you after careful inspection. The whirlpool and air bath versions are completely assembled with pump/blower and system piping. All you need to finish the installation are your selected fittings and electrical connections.

To ensure maximum performance and pleasure from this product, please follow the instructions and cautions.

For questions or service issues, please call Technical Support 1-(800)-442-1902.  
Please do not contact or return product to the store.

© AS America, Inc. 2010







All product names listed herein are trademarks of AS America, Inc. unless otherwise noted.

# TABLE OF CONTENTS:

Cover.....	Page 1
Table of Contents.....	Page 2
Safety Instructions Notice.....	Page 3
Installation, Framing and Post Installation Clean-Up Instructions.....	Page 4
Roughing-in References for Recess Type Installations.....	Page 5
Roughing-in References for Pier Type Installations.....	Page 6
Under Deck Mounting Instructions.....	Page 6
Roughing-in References for All Model Series.....	Pages 7 - 26
Electrical Installation Instructions.....	Pages 27 - 32
Whirlpool Heater Operation.....	Page 32
Remote Air Blower Location Option.....	Pages 33 - 34
Operation: Single Speed Whirlpool.....	Page 35
Operation: EcoSilent Whirlpool with Lights.....	Page 36
Operation: Air Bath.....	Page 37
Operation: Air Bath with Lights.....	Pages 38 - 39
Operation: Combination Tub with Lights.....	Pages 40 - 41
Cleaning and Maintenance.....	Page 42
Warranty.....	Page 43

# IMPORTANT SAFETY INSTRUCTIONS

## READ AND FOLLOW ALL INSTRUCTIONS!

-  **WARNING: Risk of personal injury.** Do not permit children to use this bathtub without adult supervision. Never drop or insert any object into any opening. Do not operate this unit without the guard over the suction fitting.
-  **WARNING: Risk of electric shock.** Do not permit electrical appliances near any bathtub when bathtub contains water.
-  **WARNING: Risk of hyperthermia and possible drowning.** People using medications and/or having adverse medical history should consult a physician before using this product.
-  **WARNING: Risk of personal injury.** Do not overfill bathtub before entering. Entering tub when filled more than 2/3 can cause overflow and slippery conditions. Exercise caution when entering and exiting.
-  **WARNING: No Food or Alcoholic Beverages.** Use of your bathtub immediately after meals is not recommended. Avoid alcohol consumption before or during bathing. Alcoholic beverages can cause drowsiness or hyperthermia resulting in loss of consciousness or even drowning.
-  **WARNING: Pregnancy.** If you are or think you may be pregnant, consult your physician before using the bathtub.

Use this unit only for its intended use as described in this manual.  
Do not use any attachments not recommended by American Standard.

The unit must be connected only to a supply circuit that is properly protected by a ground-fault circuit-interrupter (GFCI). Such a GFCI should be provided by the installer and should be tested on a routine basis. To test the GFCI, push the test button. The GFCI should interrupt power. Push the reset button. Power should be restored. If the GFCI fails to operate in this manner, the GFCI is defective. If the GFCI interrupts power to the bathtub without the test button being pushed, a ground current is flowing, indicating the possibility of an electric shock. Do not use this air bath. Disconnect the air bath and have the problem corrected by a licensed electrician before using.

## SAVE THESE INSTRUCTIONS

# Installation and Framing Instructions

Each bath arrives ready for installation, completely equipped with the pump/blower electronics and plumbing necessary for operation. However, a drain/overflow kit is required for each bath and it is not included.

The variety of installations for this bath may require framing procedures other than those shown. Locate studs as required. Ensure roughing-in dimensions are proper, plumb, and square.

- ⚠ Remove the bath from the carton. Retain the shipping carton until satisfactory inspection of the product has been made. Do not lift the bath by the plumbing at any time; handle by the shell only.
- ⚠ All bath units are factory tested for proper operation and watertight connections prior to shipping. Prior to installation, the bath must be filled with water and operated to check for leaks that may have resulted from shipping damage or mishandling.
- ⚠ The sumps of these baths are supported by feet and no additional sump support is required. Once the bath is in place, the feet should be shimmed and secured accordingly so that the rim of the bath contacts the stringer or pier but supports no weight.
- ⚠ Provisions must be made in all installations for an access opening for servicing the bath pump/blower. Unless an access opening of at least 12" x 24" (305mm x 610mm) is provided, warranty service will not be performed. It is strongly recommended that an additional opening be provided for access to drain components.
- ⚠ Each bath has a nominal length (L), width (W), and Height (H) along with a rim height. Unless otherwise noted in the following rough-in references, assume that the nominal tolerances are as much as +/-1/4 inch (6mm). Therefore, it is strongly recommended that the installer build the surrounding structure after receiving the actual bath. Structural measurements should be verified against the actual bath received to ensure proper fit.

## POST INSTALLATION CLEAN-UP

Remove all construction debris from bath. Tile grout can be removed with a wooden popsicle stick or tongue depressor.

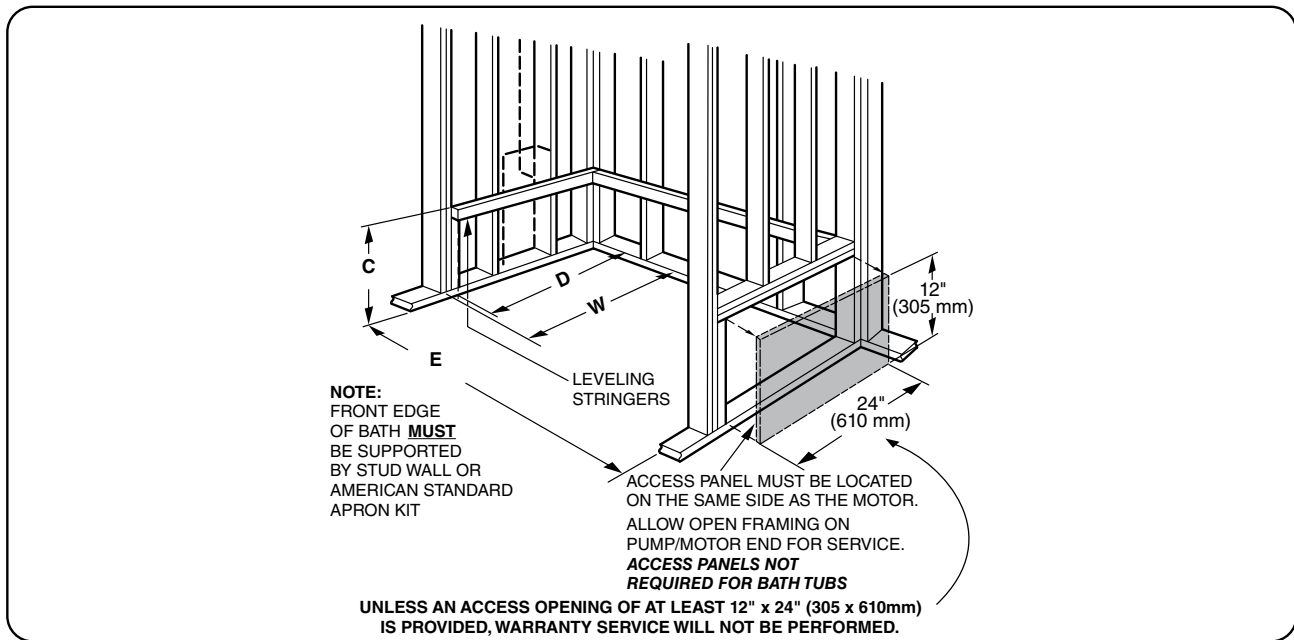
Do not use wire brushes or any other metal implement on bath surface.

Post installation clean-up generally can be completed using warm water and liquid dishwashing detergent.

Stubborn dirt or stains may be removed using granular Spic and Span<sup>®</sup> mixed with water.

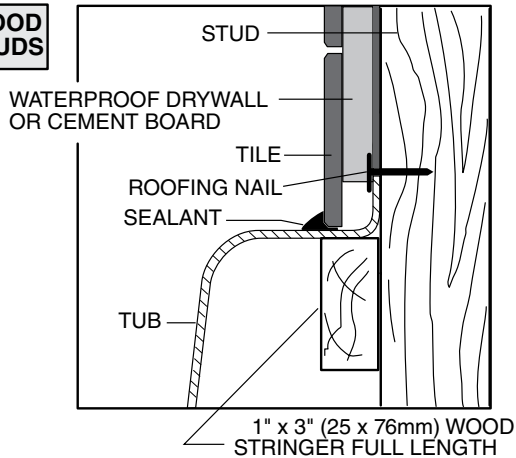
Painter's naphtha can be used to remove excess adhesives and/or wet oil-base paint.

## ROUGH-IN REFERENCES FOR RECESS TYPE INSTALLATIONS

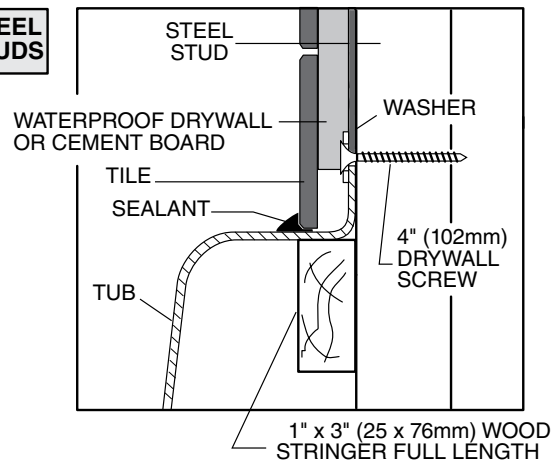


### TYPICAL TILE FLANGE INSTALLATION

**WOOD STUDS**

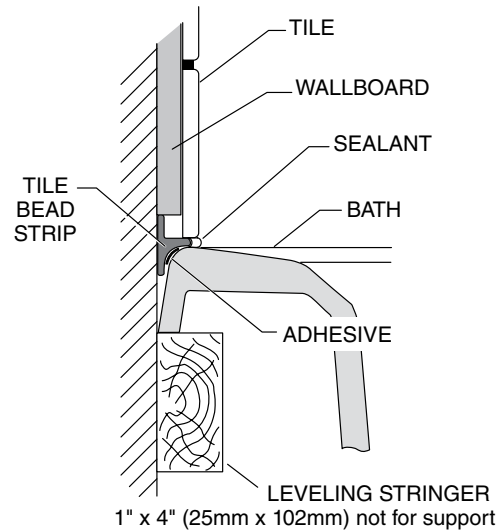


**STEEL STUDS**



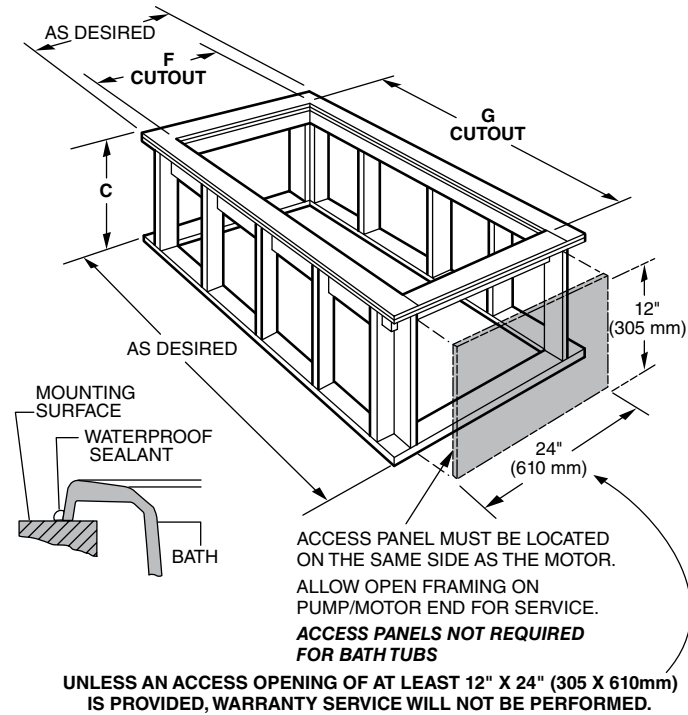
**SECURE THE BATH TO THE STUDS AS SHOWN FOR WOOD OR STEEL STUD CONSTRUCTION.**

### TYPICAL TILE BEAD INSTALLATION



**NOTE:** Tile bead kit not included and must be purchased separately.

## ROUGH-IN REFERENCES FOR PIER TYPE INSTALLATIONS

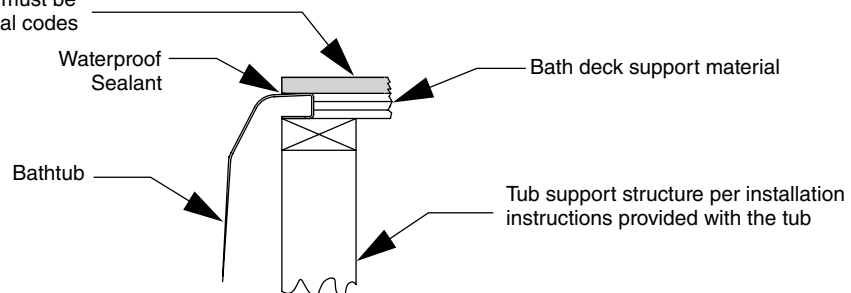


## UNDER DECK MOUNTING INSTRUCTIONS

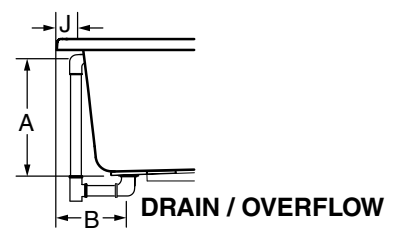
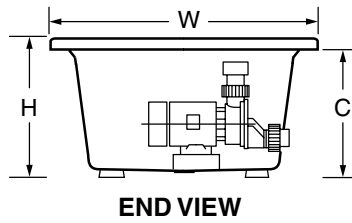
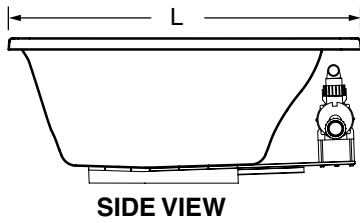
Please note that care must be taken to protect the surface of the tub during all aspects of the installation. Do not drill or cut the bath deck with the tub directly beneath it as damage to the tub may result.

1. Install the tub per the installation instructions provided with the unit.
2. Prepare the bath deck support structure per the local codes. Note - the bath deck must be self supporting.
3. Cut bath deck to your specifications.
4. Place the bath deck in position and trace the opening on the tub with a soft pencil. Do not drill or cut the bath deck with the tub directly beneath it as damage to the tub may result.
5. Remove the bath deck and apply a generous bead of waterproof sealant on the outer edge of the traced line.
6. Replace the bath deck and secure it into place.
7. Apply additional sealant along the tub and bath deck interface as necessary to ensure a watertight seal.
8. Remove excess sealant per the manufacturer's instructions.

Finished bath deck surface material must be self-supporting and secured per local codes



**SPECIFICATIONS:**

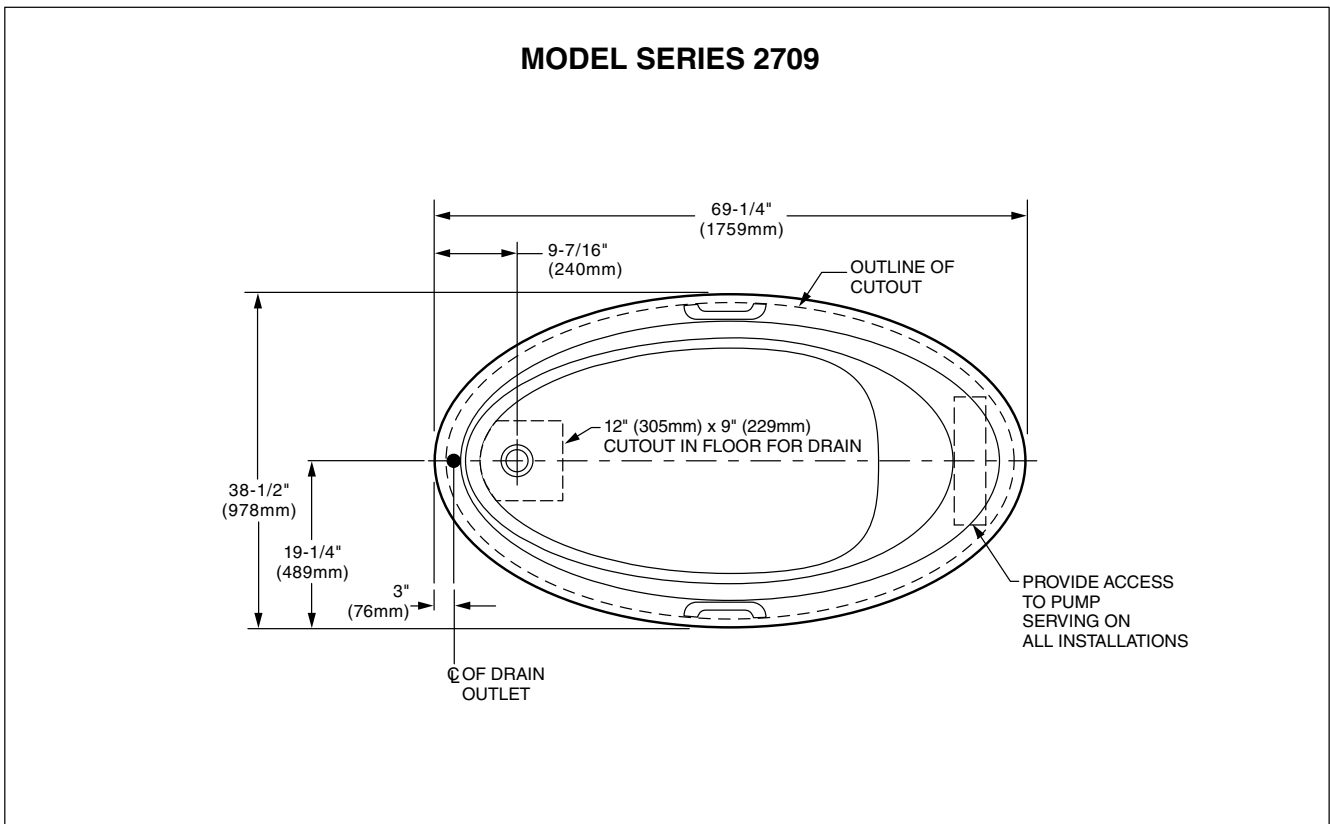
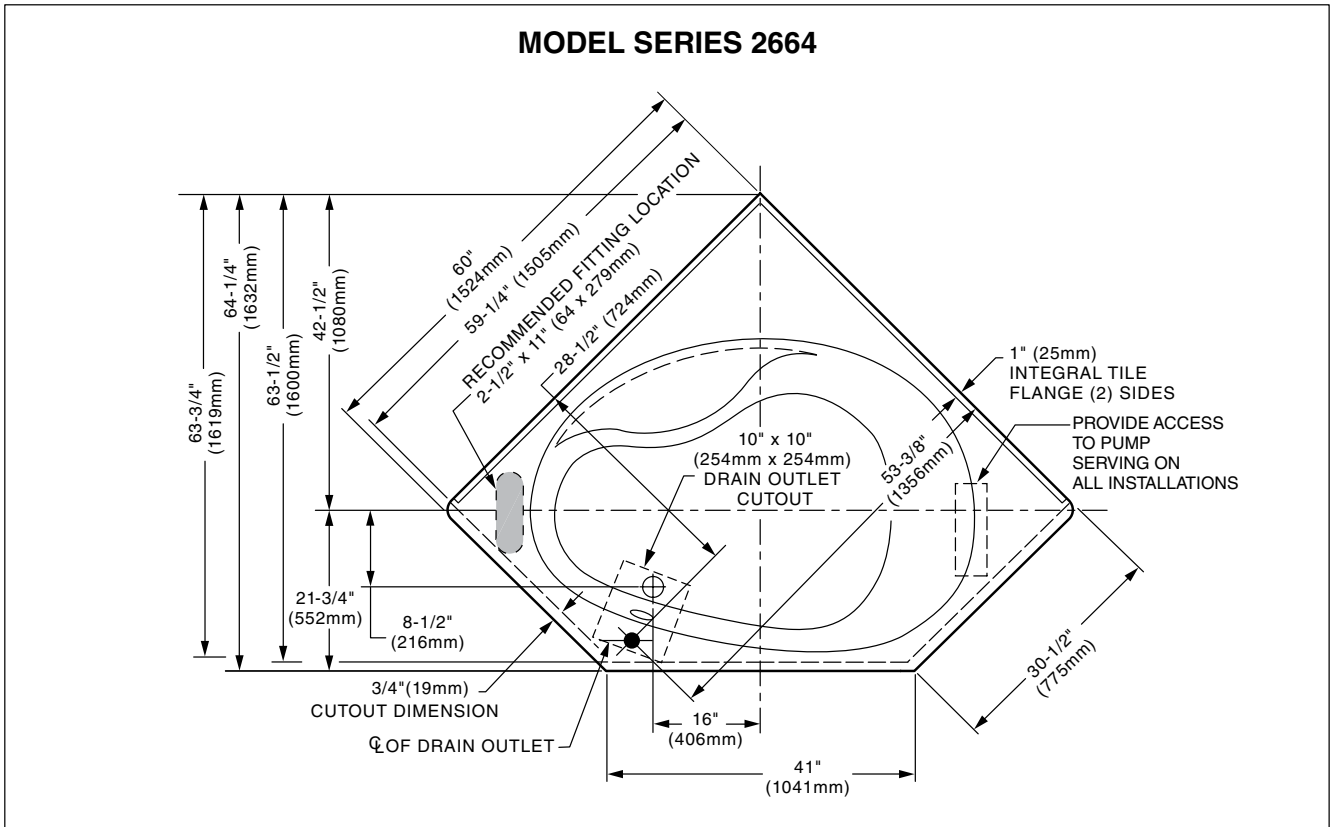


**GENERAL SPECIFICATIONS FOR WHIRLPOOLS AND BATH TUBS**

Description	Dimensions L-W-H	Drain / Overflow	Height to Underside of Deck: C	Cut Out Pier G x F	Rough-In Recess E x D	Tab Edge to Centerline Overflow: J	Weight with Water / Floor Loading	Product Weight	Gallon to Overflow	Whirlpool Operating Volume
2664 Scala Corner	L 83-1/2" (2121mm) W 63-3/4" (1619mm) H 19-3/4" (502mm)	A 16" (406mm) B 13-1/4" (337mm)	C 18-1/4" (464mm)	Template Provided	N/A	6-3/8" (162mm)	781 lb. (351 kg)/ 37 lb./sq.ft. (182 kg/sq.m)	94 lb. (43 kg.)	80 gal. (303 l.)	58 gal. (220 l.)
2709 Ellisse Oval 6'	L 69-1/4" (1759mm) W 38-1/2" (978mm) H 19-3/4" (502mm)	A 15" (381mm) B 9-7/8" (251mm)	C 18-1/4" (464mm)	Template Provided	As Desired	3" (76mm)	640 lb. (291 kg)/ 35 lb./sq.ft. (171 kg/sq.m)	107 lb. (49 kg.)	64 gal. (242 l.)	53 gal. (200 l.)
2711 Ellisse 6' x 48"	L 72" (1829mm) W 48" (1219mm) H 21-1/2" (546mm)	A 16-5/8" (422mm) B 12" (305mm)	C 19-1/2" (495mm)	70-1/2" (1791mm) x 46-1/2" (1181mm)	72-3/16" (1833mm) x 46-1/2" (1181mm)	4" (102mm)	950 lb. (431 kg)/ 40 lb./sq.ft. (196 kg/sq.m)	133 lb. (60 kg.)	95 gal. (359 l.)	74 gal. (280 l.)
2742 Town Square 6' x 42"	L 71-1/2" (1816mm) W 41-3/4" (1060mm) H 22" (559mm)	A 16-1/4" (413mm) B 13-1/4" (337mm)	C 20" (508mm)	70" (1778mm) x 40-1/4" (1022mm)	71-11/16" (1821mm) x 40-1/4" (1022mm)	4" (102mm)	690 lb. (313 kg)/ 33 lb./sq.ft. (161 kg/sq.m)	115 lb. (52 kg.)	69 gal. (261 l.)	60 gal. (227 l.)
2748 Town Square 5' x 42"	L 59-1/2" (1511mm) W 41-5/8" (1057mm) H 23" (584mm)	A 14-1/2" (368mm) B 14-1/2" (368mm)	C 21" (533mm)	58" (1473mm) x 40-1/8" (1019mm)	59-11/16" (1517mm) x 40-1/8" (1019mm)	5-1/4" (133mm)	611 lb. (277 kg)/ 40 lb./sq.ft. (196 kg/sq.m)	110 lb. (50 kg.)	60 gal. (227 l.)	55 gal. (208 l.)
2806 Heritage Oval 6' x 36"	L 72" (1829mm) W 35-3/4" (908mm) H 21-1/2" (546mm)	A 17" (432mm) B 11" (279mm)	C 19-1/2" (495mm)	Template Provided	As Desired	5-1/2" (140mm)	744 lb. (338 kg)/ 41 lb./sq.ft. (200 kg/sq.m)	135 lb. (61 kg.)	73 gal. (276 l.)	44 gal. (166 l.)
2903 Savona Oval 5' x 42"	L 60" (1524mm) W 42-1/4" (1073mm) H 21-1/4" (540mm)	A 17" (432mm) B 9-1/2" (241mm)	C 19-1/4" (489mm)	Template Provided	As Desired	3" (76mm)	640 lb. (291 kg)/ 35 lb./sq.ft. (171 kg/sq.m)	107 lb. (49 kg.)	64 gal. (242 l.)	53 gal. (200 l.)
2908 Reminiscence Oval	L 66" (1676mm) W 36" (914mm) H 24-1/4" (616mm)	A 17" (432mm) B 13" (330mm)	C 18-1/4" (464mm)	Template Provided	As Desired	6" (152mm)	659 lb. (299 kg)/ 40 lb./sq.ft. (191 kg/sq.m)	95 lb. (43 kg.)	68 gal. (257 l.)	55 gal. (208 l.)
6060 Cadenza Corner	L 76-3/4" (1949mm) W 65-3/8" (1661mm) H 21-1/2" (546mm)	A 17" (432mm) B 13-3/4" (349mm)	C 19-1/2" (495mm)	Template Provided 751680-100	N/A	5-5/8" (130mm)	824 lb. (374 kg)/ 25 lb./sq.ft. (117 kg/sq.m)	108 lb. (49 kg.)	86 gal. (352 l.)	71 gal. (269 l.)
7236 Virtuoso 6' x 36"	L 72" (1829mm) W 36" (914mm) H 21-1/4" (540mm)	A 17-3/4" (451mm) B 11" (279mm)	C 19-1/4" (489mm)	70-1/2" (1791mm) x 34-1/2" (876mm)	72-3/16" (1833mm) x 34-1/2" (876mm)	4" (102mm)	751 lb. (338 kg)/ 42 lb./sq.ft. (204 kg/sq.m)	101 lb. (45 kg.)	78 gal. (296 l.)	69 gal. (262 l.)

**TABLE 1**

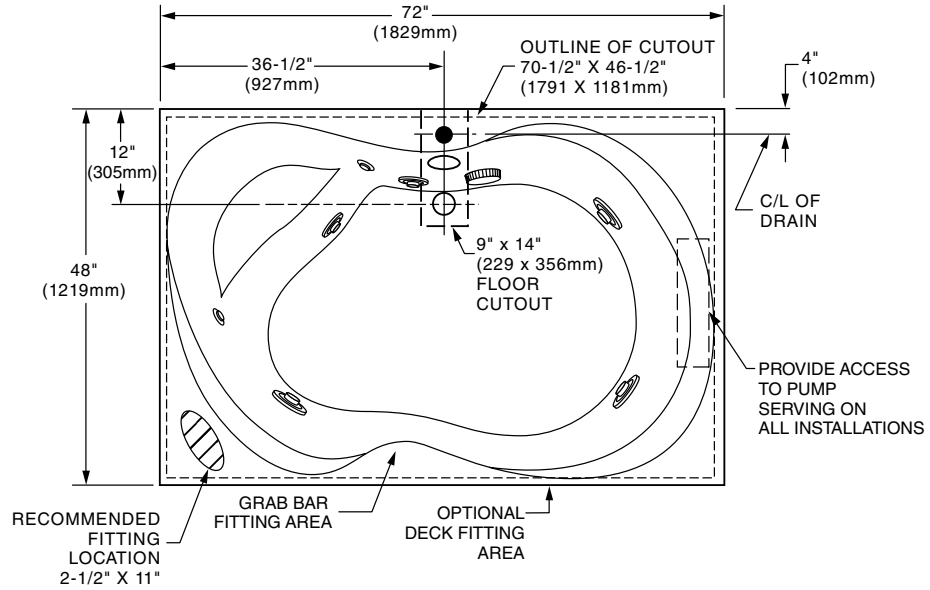
## ROUGH-IN REFERENCES



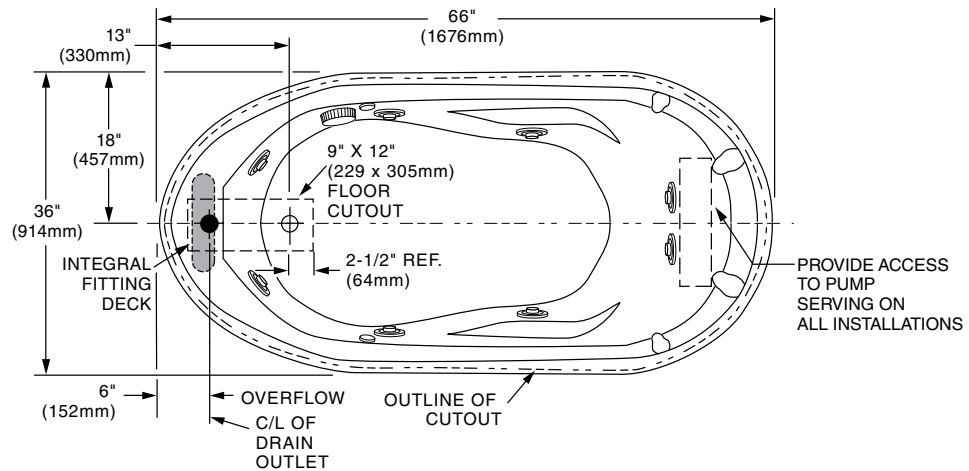


## ROUGH-IN REFERENCES

### MODEL SERIES 2711

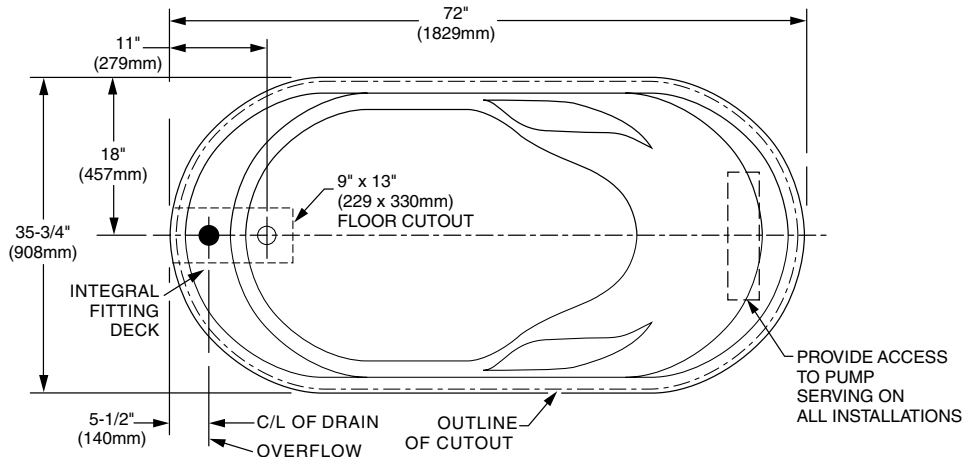


### MODEL SERIES 2908

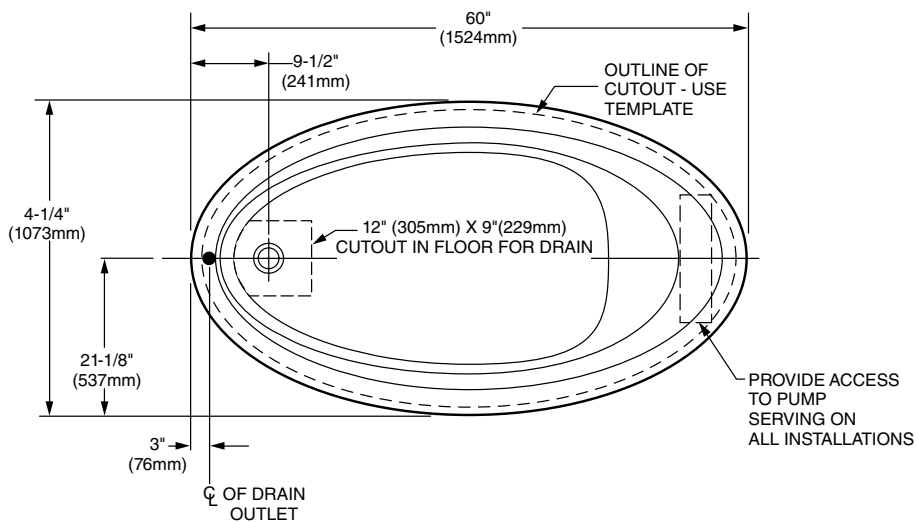


## ROUGH-IN REFERENCES

### MODEL SERIES 2806

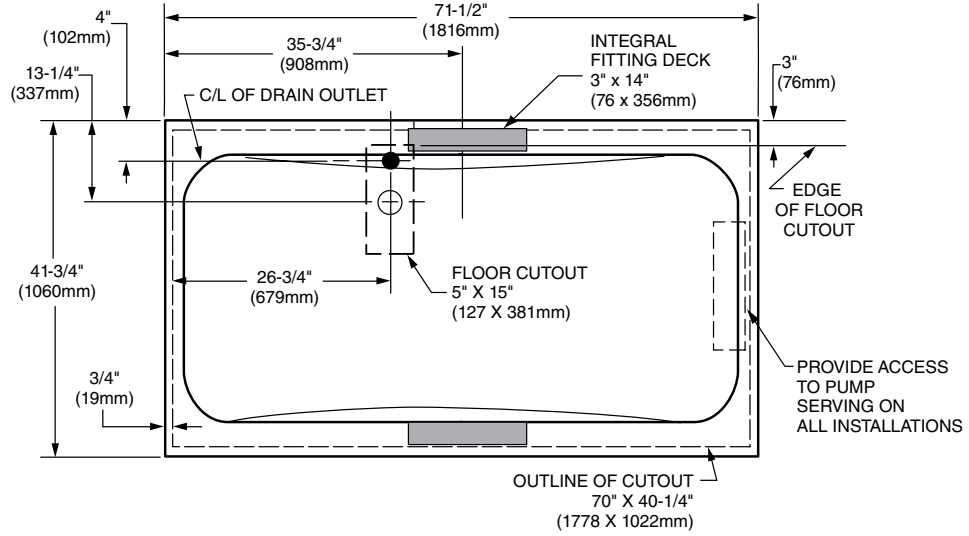


### MODEL SERIES 2903

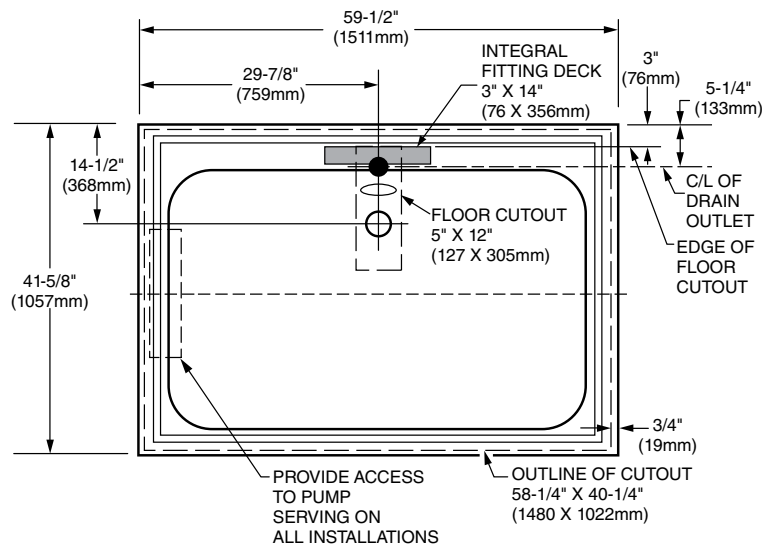


## ROUGH-IN REFERENCES

### MODEL SERIES 2742

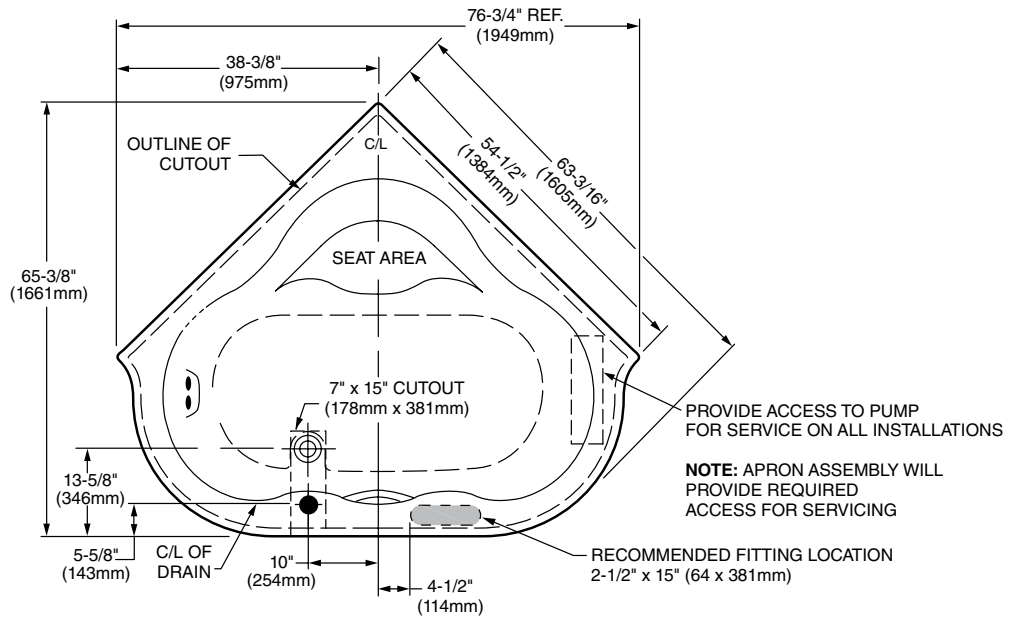


### MODEL SERIES 2748



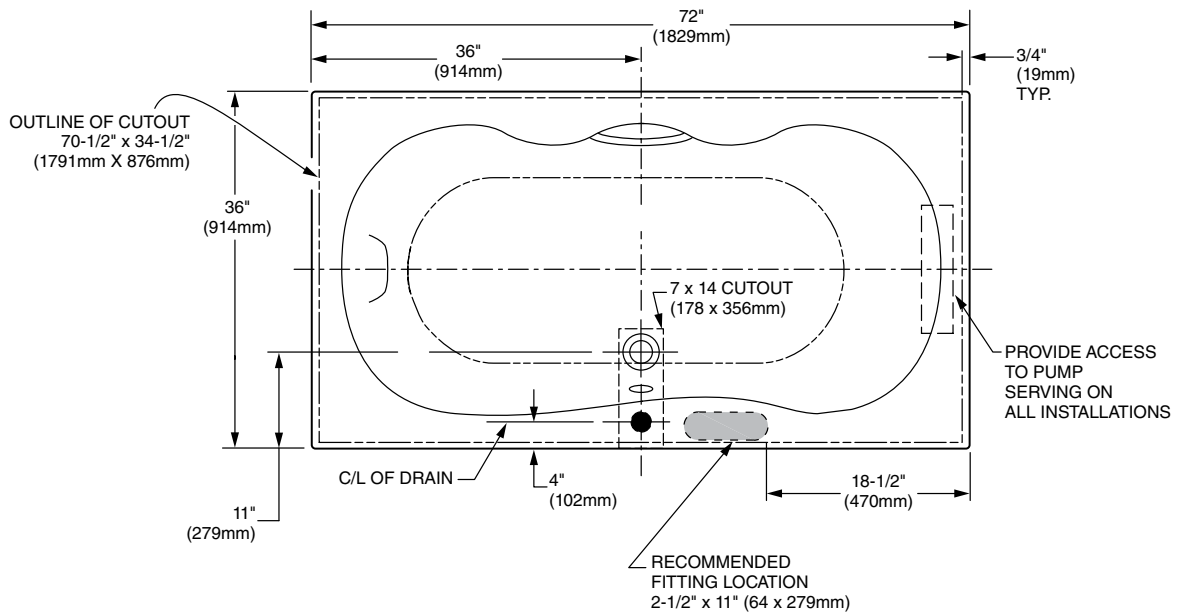
## ROUGH-IN REFERENCES

### MODEL SERIES 6060

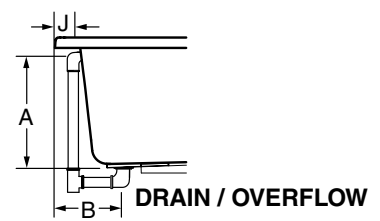
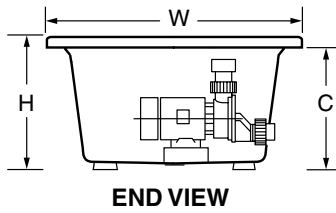
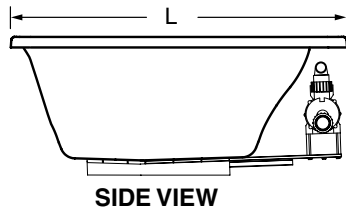


USE CUTOUT TEMPLATE SUPPLIED WITH PACKAGED PRODUCT.

### MODEL SERIES 7236



**SPECIFICATIONS:**

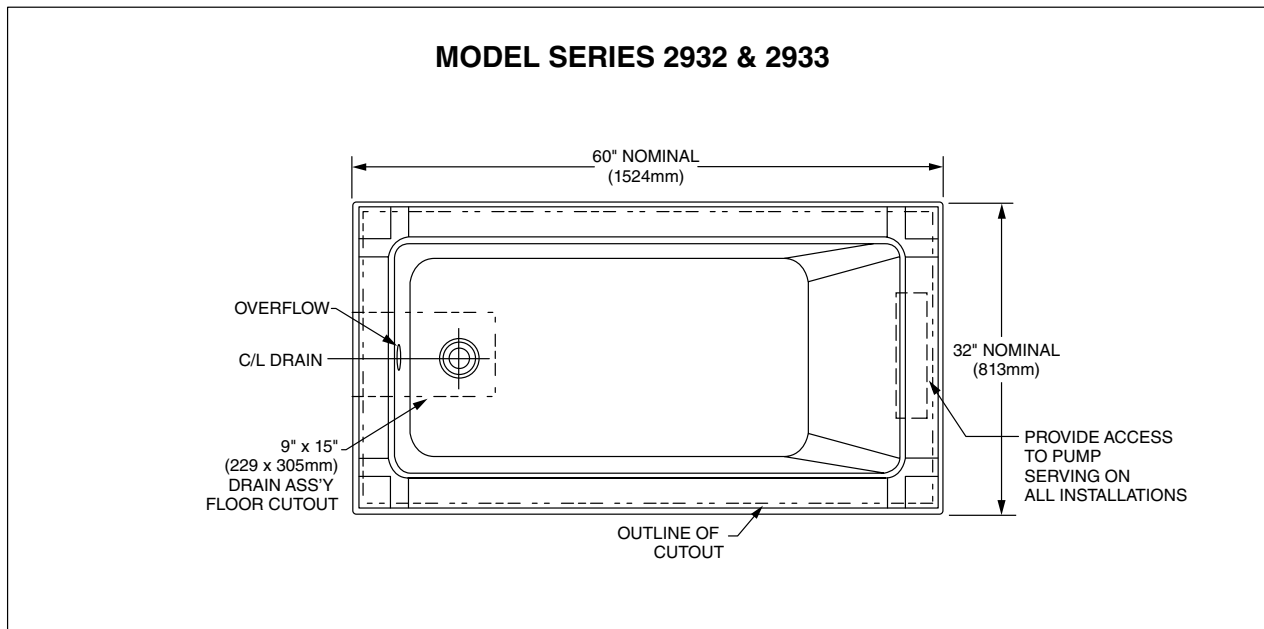


**GENERAL SPECIFICATIONS FOR STUDIO 5' X 32" WHIRLPOOLS AND BATH TUBS**

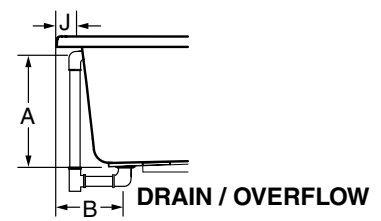
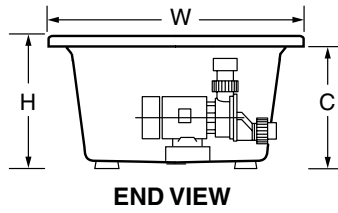
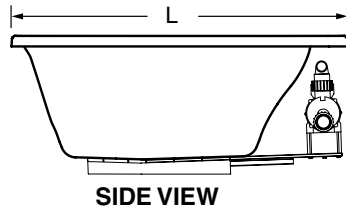
Description	Deck Trim Option	Dimensions L-W-H	Drain / Overflow	Height to Underside of Deck: C	Cut Out Pier G x F	Rough-In Recess E x D	Tub Edge to Centerline Overflow: J	Weight with Water / Floor Loading	Product Weight	Gallon to Overflow	Whirlpool Operating Volume
2932 Studio 5' x 32"	Zero (5/8")	L 59-1/2" (1511mm) W 31-1/2" (800mm) H 22-1/2" (572mm)	A 17-3/4" (451mm) B 10-3/4" (273mm)	C 21-7/8" (556mm)	58" (1473mm) x 30" (762mm)	59-11/16" (1516mm) x 30" (762mm)		581 lb. (264 kg)/ 44 lb./sq.ft. (213 kg/sq.m)	90 lb. (198 kg.)	59 gal. (224 l.)	54 gal. (205 l.)
2932 Studio 5' x 32"	2"	L 59-3/4" (1518mm) W 31-3/4" (806mm) H 22-1/2" (572mm)	A 17-3/4" (451mm) B 10-7/8" (276mm)	C 20-1/2" (521mm)	58-1/4" (1480mm) x 30-1/4" (768mm)	59-15/16" (1522mm) x 30-1/4" (768mm)		581 lb. (264 kg)/ 44 lb./sq.ft. (213 kg/sq.m)	90 lb. (198 kg.)	59 gal. (224 l.)	54 gal. (205 l.)
2932 Studio 5' x 32"	4"	L 60" (1524mm) W 32" (813mm) H 22-1/2" (572mm)	A 17-3/4" (451mm) B 11" (279mm)	18-1/2" (470mm)	58-1/2" (1486mm) x 30-1/2" (775mm)	60-3/16" (1529mm) x 30-1/2" (775mm)		581 lb. (264 kg)/ 44 lb./sq.ft. (213 kg/sq.m)	90 lb. (198 kg.)	59 gal. (224 l.)	54 gal. (205 l.)
2933 Studio 5' x 32" w/Tile Flange	N/A	L 60" (1524mm) W 31-7/8" (810mm) H 22-1/2" (572mm)	A 17-3/4" (451mm) B 11" (279mm)	C 20-1/2" (521mm)	N/A	60-3/16" (1529mm) x 30-3/8" (772mm)		581 lb. (264 kg)/ 44 lb./sq.ft. (213 kg/sq.m)	90 lb. (198 kg.)	59 gal. (224 l.)	54 gal. (205 l.)

**TABLE 2**

**ROUGH-IN REFERENCES**



**SPECIFICATIONS:**

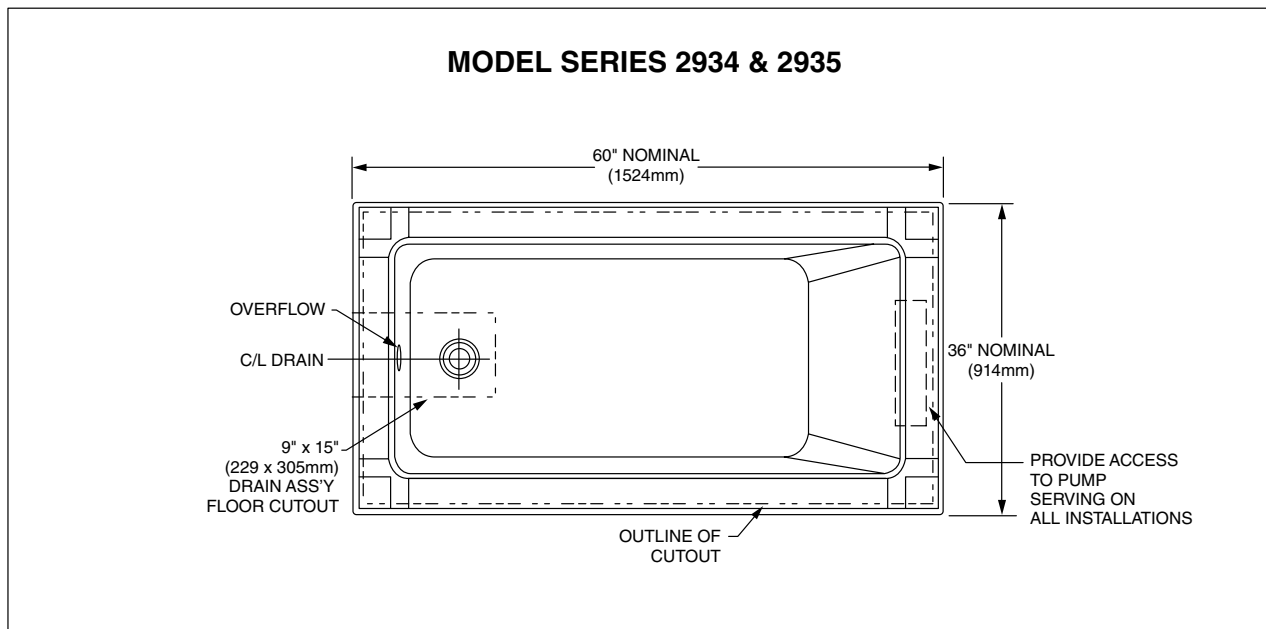


**GENERAL SPECIFICATIONS FOR STUDIO 5' X 36" WHIRLPOOLS AND BATH TUBS**

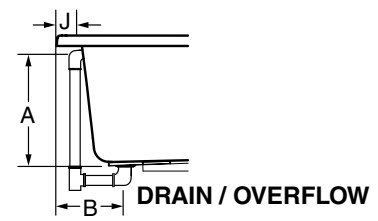
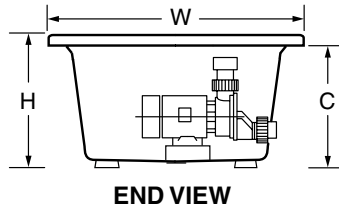
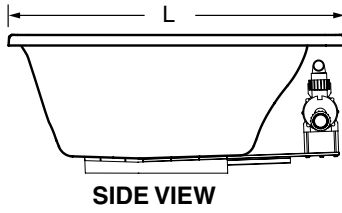
Description	Deck Trim Option	Dimensions L-W-H	Drain / Overflow	Height to Underside of Deck: C	Cut Out Pier G x F	Rough-In Recess E x D	Tub Edge to Centerline Overflow: J	Weight with Water / Floor Loading	Product Weight	Gallon to Overflow	Whirlpool Operating Volume
2934 Studio 5' x 36"	Zero (5/8")	L 59-1/2" (1511mm) W 35-1/2" (902mm) H 22-1/2" (572mm)	A 17-3/4" (451mm) B 10-3/4" (273mm)	C 21-7/8" (556mm)	58" (1473mm) x 34" (864mm)	59-11/16" (1516mm) x 34" (864mm)		686 lb. (311 kg)/ 46 lb./sq.ft. (223 kg/sq.m)	95 lb. (209 kg.)	71 gal. (269 l.)	64 gal. (243 l.)
2934 Studio 5' x 36"	2"	L 59-3/4" (1518mm) W 35-3/4" (908mm) H 22-1/2" (572mm)	A 17-3/4" (451mm) B 10-7/8" (276mm)	C 20-1/2" (521mm)	58-1/4" (1480mm) x 34-1/4" (870mm)	59-15/16" (1522mm) x 34-1/4" (870mm)		686 lb. (311 kg)/ 46 lb./sq.ft. (223 kg/sq.m)	95 lb. (209 kg.)	71 gal. (269 l.)	64 gal. (243 l.)
2934 Studio 5' x 36"	4"	L 60" (1524mm) W 36" (914mm) H 22-1/2" (572mm)	A 17-3/4" (451mm) B 11" (279mm)	18-1/2" (470mm)	58-1/2" (1486mm) x 34-1/2" (876mm)	60-3/16" (1529mm) x 34-1/2" (876mm)		686 lb. (311 kg)/ 46 lb./sq.ft. (223 kg/sq.m)	95 lb. (209 kg.)	71 gal. (269 l.)	64 gal. (243 l.)
2935 Studio 5' x 36" w/Tile Flange	N/A	L 60" (1524mm) W 35-7/8" (911mm) H 22-1/2" (572mm)	A 17-3/4" (451mm) B 11" (279mm)	C 20-1/2" (521mm)	N/A	60-3/16" (1529mm) x 34-3/8" (873mm)		686 lb. (311 kg)/ 46 lb./sq.ft. (223 kg/sq.m)	95 lb. (209 kg.)	71 gal. (269 l.)	64 gal. (243 l.)

**TABLE 3**

**ROUGH-IN REFERENCES**



**SPECIFICATIONS:**

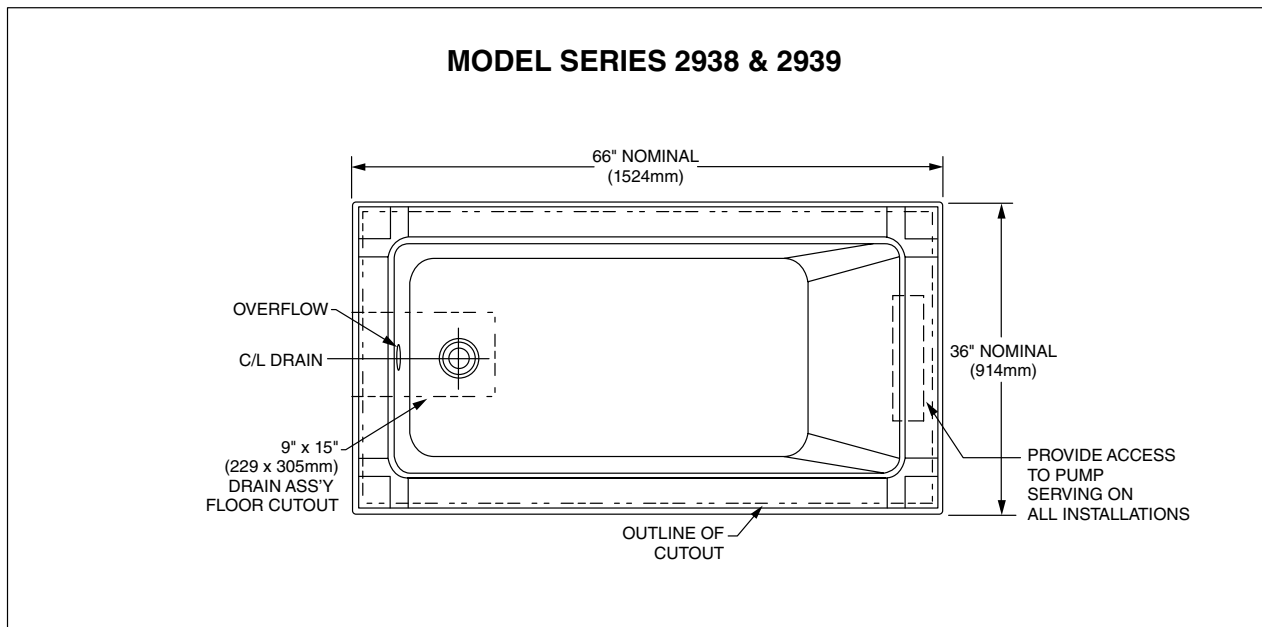


**GENERAL SPECIFICATIONS FOR STUDIO 5-1/2' X 36" WHIRLPOOLS AND BATH TUBS**

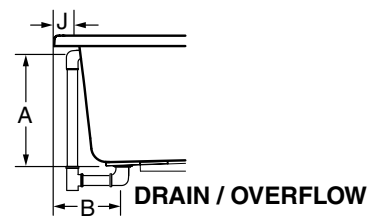
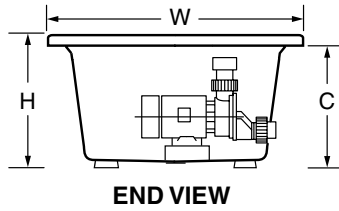
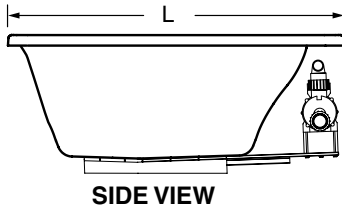
Description	Deck Trim Option	Dimensions L-W-H	Drain / Overflow	Height to Underside of Deck: C	Cut Out Pier G x F	Rough-In Recess E x D	Tub Edge to Centerline Overflow: J	Weight with Water / Floor Loading	Product Weight	Gallon to Overflow	Whirlpool Operating Volume
2938 Studio 5-1/2' x 36"	Zero (5/8")	L 65-1/2" (1664mm) W 35-1/2" (902mm) H 22-1/2" (572mm)	A 17-3/4" (451mm) B 10-3/4" (273mm)	C 21-7/8" (556mm)	64" (1626mm) x 34" (864mm)	65-11/16" (1668mm) x 34" (864mm)		766 lb. (348 kg)/ 46 lb./sq.ft. (227 kg/sq.m)	100 lb. (220 kg.)	80 gal. (303 l.)	73 gal. (277 l.)
2938 Studio 5-1/2' x 36"	2"	L 65-3/4" (1670mm) W 35-3/4" (908mm) H 22-1/2" (572mm)	A 17-3/4" (451mm) B 10-7/8" (276mm)	C 20-1/2" (521mm)	64-1/4" (1632mm) x 34-1/4" (870mm)	65-15/16" (1675mm) x 34-1/4" (870mm)		766 lb. (348 kg)/ 46 lb./sq.ft. (227 kg/sq.m)	100 lb. (220 kg.)	80 gal. (303 l.)	73 gal. (277 l.)
2938 Studio 5-1/2' x 36"	4"	L 66" (1676mm) W 36" (914mm) H 22-1/2" (572mm)	A 17-3/4" (451mm) B 11" (279mm)	C 18-1/2" (470mm)	64-1/2" (1638mm) x 34-1/2" (876mm)	66-3/16" (1681mm) x 34-1/2" (876mm)		766 lb. (348 kg)/ 46 lb./sq.ft. (227 kg/sq.m)	100 lb. (220 kg.)	80 gal. (303 l.)	73 gal. (277 l.)
2939 Studio 5-1/2' x 36" w/Tile Flange	N/A	L 66" (1676mm) W 35-7/8" (911mm) H 22-1/2" (572mm)	A 17-3/4" (451mm) B 11" (279mm)	C 20-1/2" (521mm)	N/A	66-3/16" (1681mm) x 34-3/8" (873mm)		766 lb. (348 kg)/ 46 lb./sq.ft. (227 kg/sq.m)	100 lb. (220 kg.)	80 gal. (303 l.)	73 gal. (277 l.)

**TABLE 4**

**ROUGH-IN REFERENCES**



## SPECIFICATIONS:

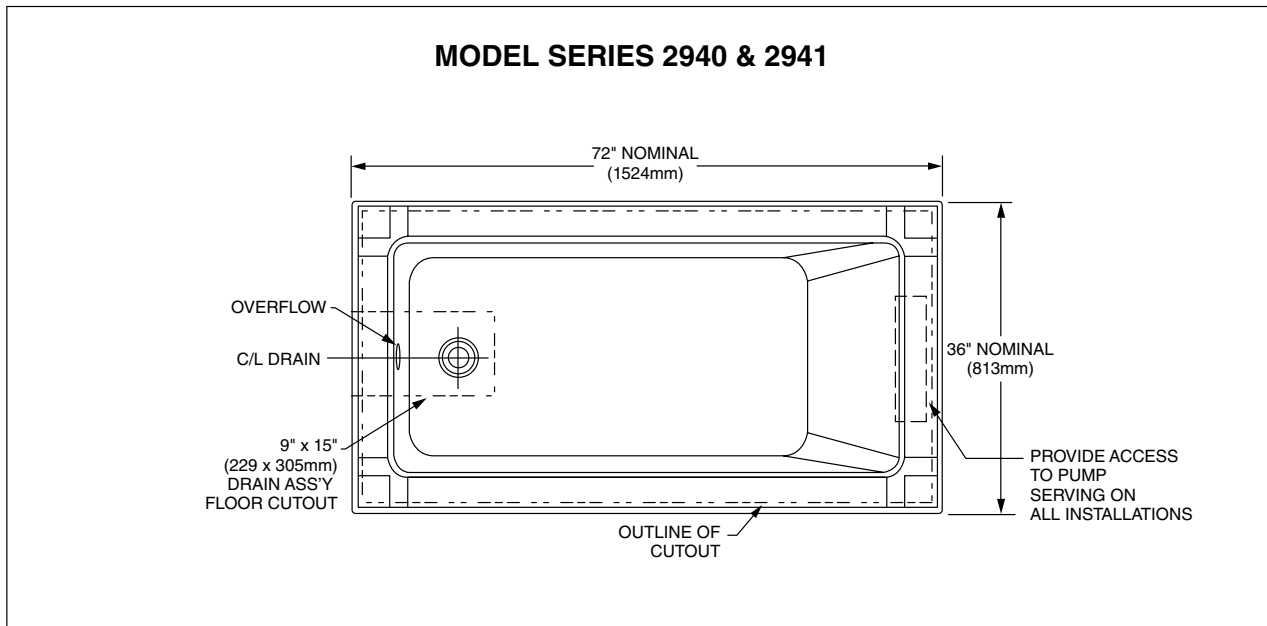


## GENERAL SPECIFICATIONS FOR STUDIO 6' X 36" WHIRLPOOLS AND BATH TUBS

Description	Deck Trim Option	Dimensions L-W-H	Drain / Overflow	Height to Underside of Deck: C	Cut Out Pier G x F	Rough-In Recess E x D	Tub Edge to Centerline Overflow: J	Weight with Water / Floor Loading	Product Weight	Gallon to Overflow	Whirlpool Operating Volume
2940 Studio 6' x 36"	Zero (5/8")	L 71-1/2" (1816mm) W 35-1/2" (902mm) H 22-1/2" (572mm)	A 17-3/4" (451mm) B 10-3/4" (273mm)	C 21-7/8" (556mm)	70" (1778mm) x 34" (864mm)	71-11/16" (1821mm) x 34" (864mm)		846 lb. (384 kg)/ 47 lb./sq.ft. (230 kg/sq.m)	105 lb. (231 kg.)	89 gal. (337 l.)	81 gal. (307 l.)
2940 Studio 6' x 36"	2"	L 71-3/4" (1822mm) W 35-3/4" (908mm) H 22-1/2" (572mm)	A 17-3/4" (451mm) B 10-7/8" (276mm)	C 20-1/2" (521mm)	70-1/4" (1784mm) x 34-1/4" (870mm)	71-15/16" (1827mm) x 34-1/4" (870mm)		846 lb. (384 kg)/ 47 lb./sq.ft. (230 kg/sq.m)	105 lb. (231 kg.)	89 gal. (337 l.)	81 gal. (307 l.)
2940 Studio 6' x 36"	4"	L 72" (1829mm) W 36" (914mm) H 22-1/2" (572mm)	A 17-3/4" (451mm) B 11" (279mm)	18-1/2" (470mm)	70-1/2" (1791mm) x 34-1/2" (876mm)	72-3/16" (1833mm) x 34-1/2" (876mm)		846 lb. (384 kg)/ 47 lb./sq.ft. (230 kg/sq.m)	105 lb. (231 kg.)	89 gal. (337 l.)	81 gal. (307 l.)
2941 Studio 6' x 36" w/Tile Flange	N/A	L 72" (1829mm) W 35-7/8" (911mm) H 22-1/2" (572mm)	A 17-3/4" (451mm) B 11" (279mm)	C 20-1/2" (521mm)	N/A	72-3/16" (1833mm) x 34-3/8" (873mm)		846 lb. (384 kg)/ 47 lb./sq.ft. (230 kg/sq.m)	105 lb. (231 kg.)	89 gal. (337 l.)	81 gal. (307 l.)

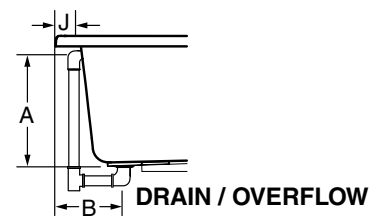
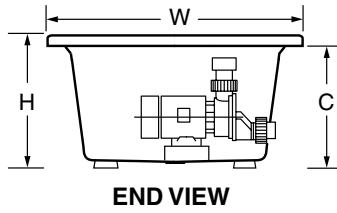
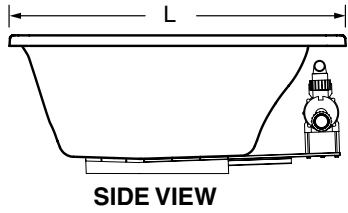
**TABLE 5**

## ROUGH-IN REFERENCES





**SPECIFICATIONS:**

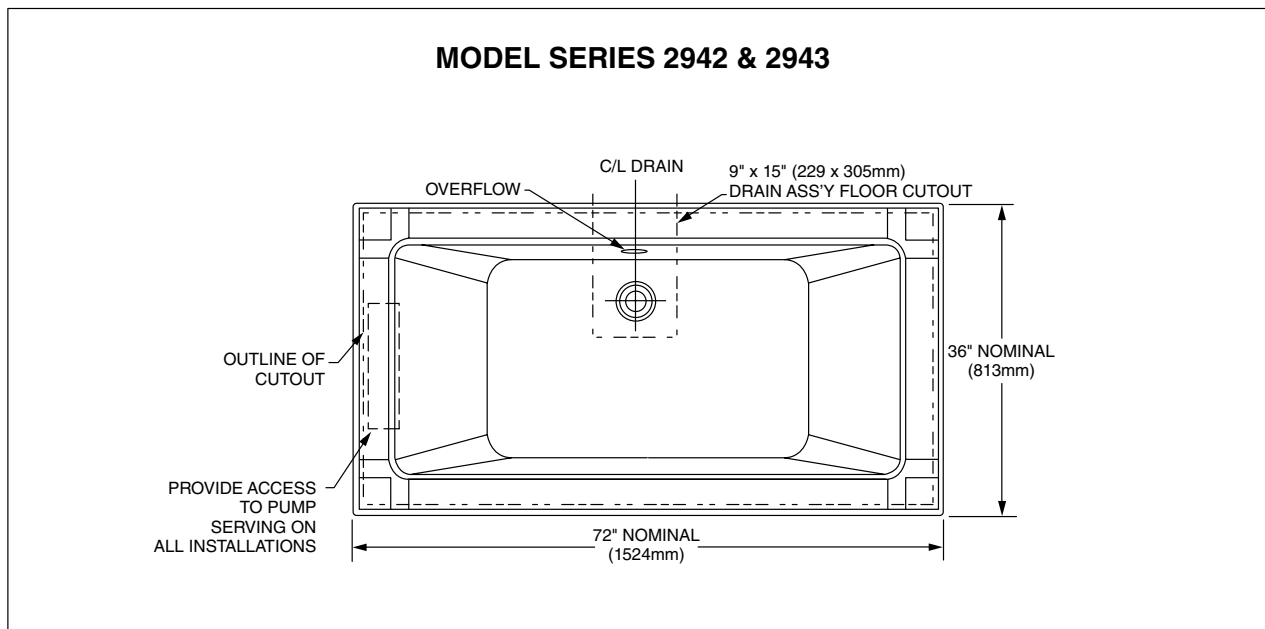


**GENERAL SPECIFICATIONS FOR STUDIO 6' X 42" WHIRLPOOLS AND BATH TUBS**

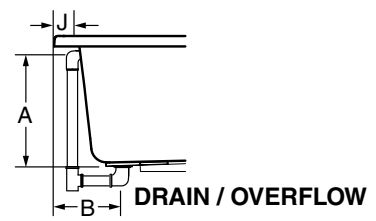
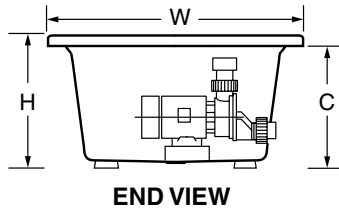
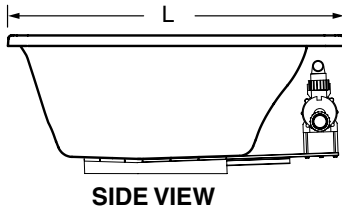
Description	Deck Trim Option	Dimensions L-W-H	Drain / Overflow	Height to Underside of Deck: C	Cut Out Pier G x F	Rough-In Recess E x D	Tub Edge to Centerline Overflow: J	Weight with Water / Floor Loading	Product Weight	Gallon to Overflow	Whirlpool Operating Volume
2942 Studio 6' x 42"	Zero (5/8")	L 71-1/2" (1816mm) W 41-1/2" (1054mm) H 22-1/2" (572mm)	A 17-3/4" (451mm) B 10-3/4" (273mm)	C 21-7/8" (556mm)	70" (1778mm) x 40" (1016mm)	71-11/16" (1821mm) x 40" (1016mm)		943 lb. (428 kg)/ 45 lb./sq.ft. (219 kg/sq.m)	110 lb. (242 kg.)	100 gal. (379 l.)	91 gal. (345 l.)
2942 Studio 6' x 42"	2"	L 71-3/4" (1822mm) W 41-3/4" (1060mm) H 22-1/2" (572mm)	A 17-3/4" (451mm) B 10-7/8" (276mm)	C 20-1/2" (521mm)	70-1/4" (1784mm) x 40-1/4" (1022mm)	71-15/16" (1827mm) x 40-1/4" (1022mm)		943 lb. (428 kg)/ 45 lb./sq.ft. (219 kg/sq.m)	110 lb. (242 kg.)	100 gal. (379 l.)	91 gal. (345 l.)
2942 Studio 6' x 42"	4"	L 72" (1829mm) W 42" (1067mm) H 22-1/2" (572mm)	A 17-3/4" (451mm) B 11" (279mm)	18-1/2" (470mm)	70-1/2" (1791mm) x 40-1/2" (1029mm)	72-3/16" (1833mm) x 40-1/2" (1029mm)		943 lb. (428 kg)/ 45 lb./sq.ft. (219 kg/sq.m)	110 lb. (242 kg.)	100 gal. (379 l.)	91 gal. (345 l.)
2943 Studio 6' x 42" w/Tile Flange	N/A	L 72" (1829mm) W 41-7/8" (1063mm) H 22-1/2" (572mm)	A 17-3/4" (451mm) B 11" (279mm)	C 20-1/2" (521mm)	N/A	72-3/16" (1833mm) x 40-3/8" (1026mm)		943 lb. (428 kg)/ 45 lb./sq.ft. (219 kg/sq.m)	110 lb. (242 kg.)	100 gal. (379 l.)	91 gal. (345 l.)

**TABLE 6**

**ROUGH-IN REFERENCES**



**SPECIFICATIONS:**

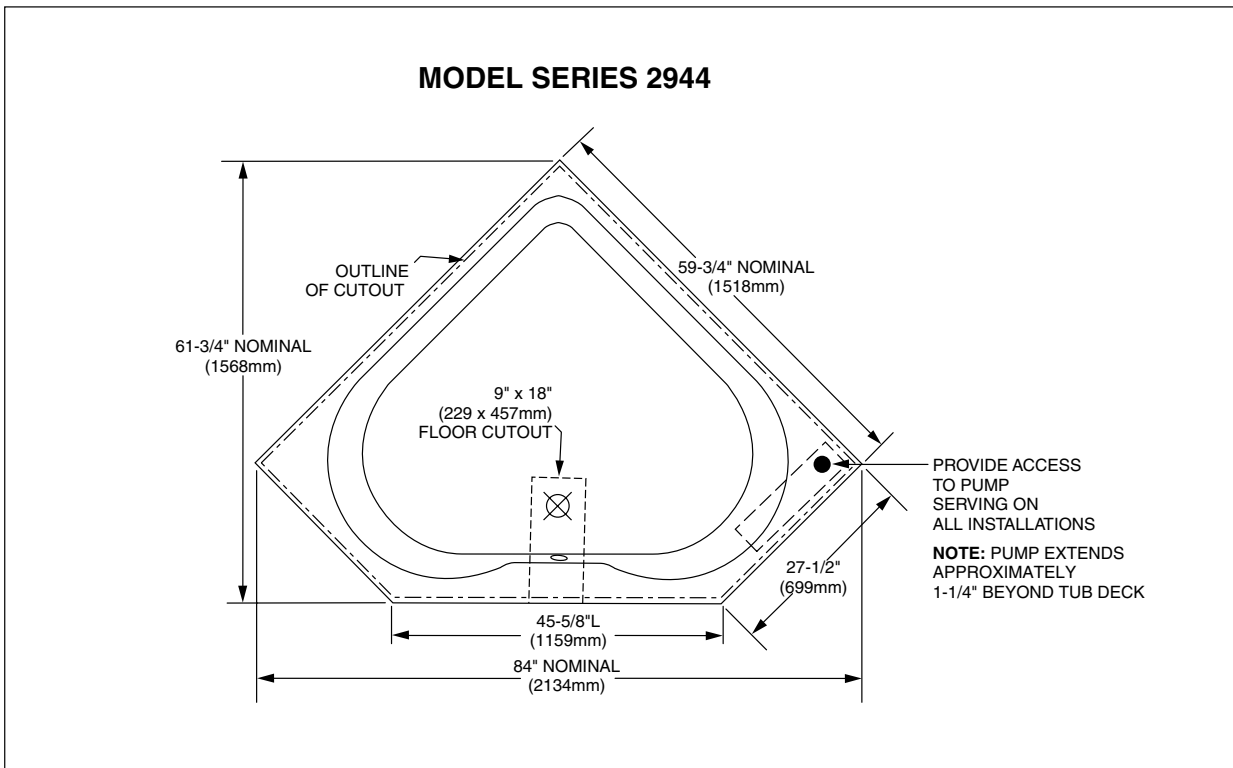


**GENERAL SPECIFICATIONS FOR STUDIO CORNER WHIRLPOOLS AND BATH TUBS**

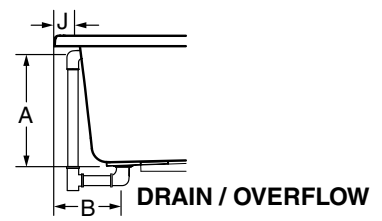
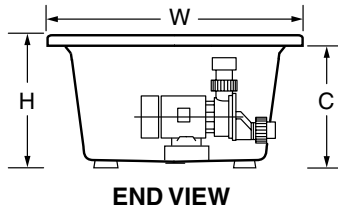
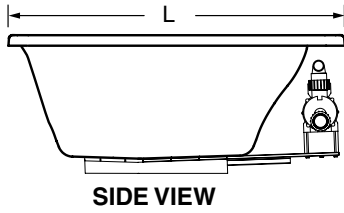
Description	Deck Trim	Dimensions L-W-H	Drain / Overflow	Height to Underside of Deck: C	Cut Out Pier G x F	Rough-In Recess E x D	Tub Edge to Centerline Overflow: J	Weight with Water / Floor Loading	Product Weight	Gallon to Overflow	Whirlpool Operating Volume
2944 Studio Corner	Zero (5/8")	L 83-15/16" (2132mm) W 61-3/8" (1559mm) H 21-1/2" (546mm)	A 15" (381mm) B 13-1/2" (343mm)	C 20-7/8" (530mm)		N/A		988 lb. (448 kg)/ 27 lb./sq.ft. (133 kg/sq.m)	130 lb. (59 kg.)	103 gal. (390 l.)	65 gal. (246 l.)
2944 Studio Corner	2"	L 84-1/4" (2139mm) W 31-13/16" (808mm) H 21-1/2" (546mm)	A 15" (381mm) B 13-5/8" (346mm)	C 19-1/2" (495mm)		N/A		988 lb. (448 kg)/ 27 lb./sq.ft. (133 kg/sq.m)	130 lb. (59 kg.)	103 gal. (390 l.)	65 gal. (246 l.)

**TABLE 7**

**ROUGH-IN REFERENCES**



**SPECIFICATIONS:**

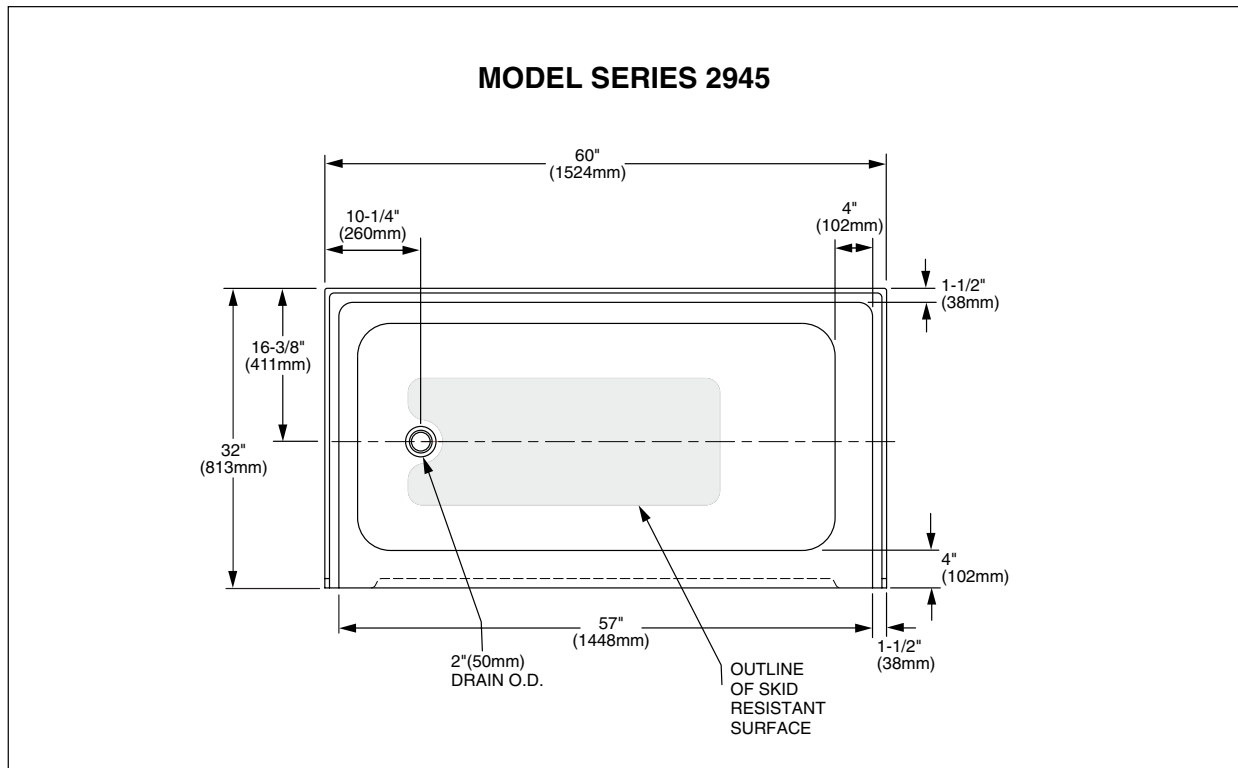


**GENERAL SPECIFICATIONS FOR STUDIO CORNER WHIRLPOOLS AND BATH TUBS**

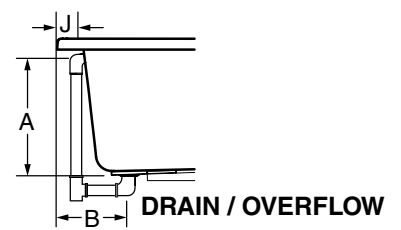
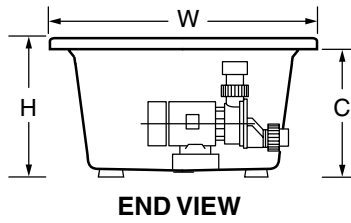
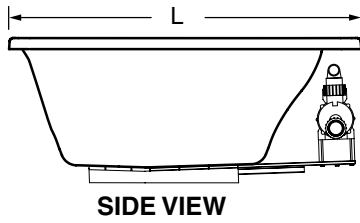
Description	Deck Trim	Dimensions L-W-H	Drain / Overflow	Height to Underside of Deck: C	Cut Out Pier G x F	Rough-In Recess E x D	Tub Edge to Centerline Overflow: J	Weight with Water / Floor Loading	Product Weight	Gallon to Overflow	Whirlpool Operating Volume
2945 Studio	N/A	L 60" (1524mm) W 32" (813mm) H 22" (559mm)	A 15-3/4" (400mm) B 10-1/4" (260mm)	C 22-1/2" (572mm)	N/A	60-3/16" (1528mm) x 30-1/2" (774mm)		597 lb. (271 kg)/ 45 lb./sq.ft. (219 kg/sq.m)	57 lb. (26 kg.)	54 gal. (246 l.)	N/A

**TABLE 8**

**ROUGH-IN REFERENCES**



**SPECIFICATIONS:**



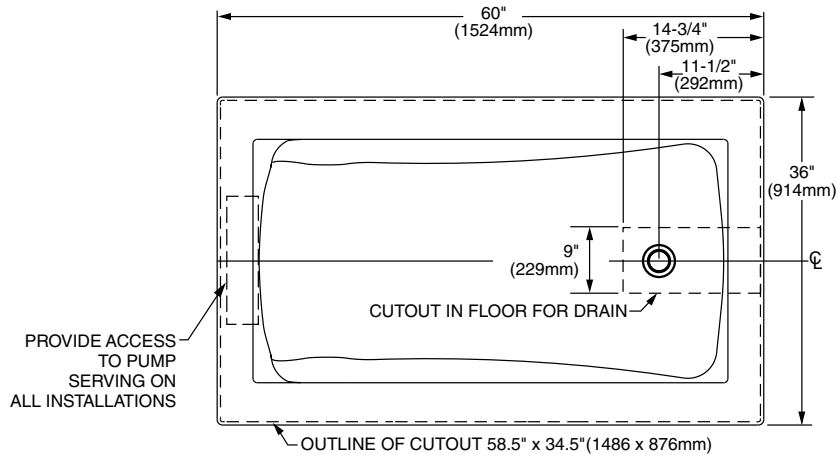
**GENERAL SPECIFICATIONS FOR GREEN TEA WHIRLPOOLS AND BATH TUBS**

Description	Dimensions L-W-H	Drain / Overflow	Height to Underside of Deck: C	Cut Out Pier G x F	Rough-In Recess E x D	Tab Edge to Centerline Overflow: J	Weight with Water / Floor Loading	Product Weight	Gallon to Overflow	Whirlpool Operating Volume
3571 Green Tea 5' x 36"	L 60" (1524mm) W 36" (914mm) H 21" (533mm)	A 16" (406mm) B 11-1/2" (349mm)	C 19" (483mm)	58-1/2" (1485mm) x 34-1/2" (876mm)	60-3/16" (1529mm) x 34-1/2" (876mm)	3-1/2" (89mm)	519 lb. (236 kg)/ 35 lb./sq.ft. (171 kg/sq.m)	86 lb. (39 kg.)	52 gal. (197 l.)	38 gal. (144 l.)
3572 Green Tea 5-1/2' x 36"	L 66" (1676mm) W 36" (914mm) H 21" (533mm)	A 16" (406mm) B 11-1/2" (349mm)	C 19" (483mm)	64-1/2" (1638mm) x 34-1/2" (876mm)	66-3/16" (1681mm) x 34-1/2" (876mm)	3-3/4" (95mm)	592 lb. (269 kg)/ 36 lb./sq.ft. (176 kg/sq.m)	100 lb. (45 kg.)	59 gal. (223 l.)	44 gal. (166 l.)
3573 Green Tea 6' x 36"	L 72" (1829mm) W 36" (914mm) H 21" (533mm)	A 16" (406mm) B 11-1/2" (349mm)	C 19" (483mm)	70-1/2" (1791mm) x 34-1/2" (876mm)	72-3/16" (1834mm) x 34-1/2" (876mm)	3-1/2" (89mm)	665 lb. (302 kg)/ 37 lb./sq.ft. (181 kg/sq.m)	115 lb. (52 kg.)	66 gal. (250 l.)	49 gal. (185 l.)
3574 Green Tea 5' x 42"	L 72" (1829mm) W 42" (1067mm) H 21" (533mm)	A 16" (406mm) B 11-1/2" (349mm)	C 19" (483mm)	58-1/2" (1485mm) x 40-1/2" (1029mm)	60-3/16" (1528mm) x 40-1/2" (1029mm)	3-1/8" (79mm)	656 lb. (298 kg)/ 38 lb./sq.ft. (186 kg/sq.m)	115 lb. (52 kg.)	65 gal. (246 l.)	47 gal. (178 l.)
3575 Green Tea 6' x 42"	L 72" (1829mm) W 42" (1067mm) H 21" (533mm)	A 16" (406mm) B 11-1/2" (349mm)	C 19" (483mm)	70-1/2" (1791mm) x 40-1/2" (1029mm)	72-3/16" (1834mm) x 40-1/2" (1029mm)	3-1/2" (89mm)	785 lb. (356 kg)/ 37 lb./sq.ft. (181 kg/sq.m)	127 lb. (57 kg.)	79 gal. (299 l.)	58 gal. (219 l.)

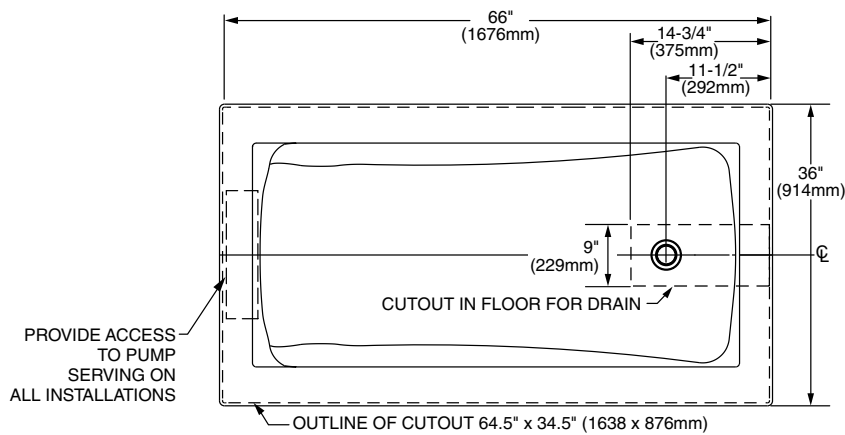
**TABLE 9**

## ROUGH-IN REFERENCES

### MODEL SERIES 3571

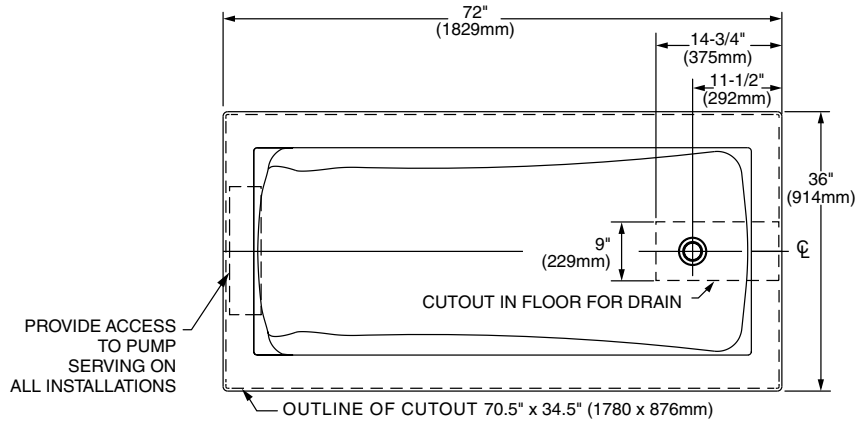


### MODEL SERIES 3572

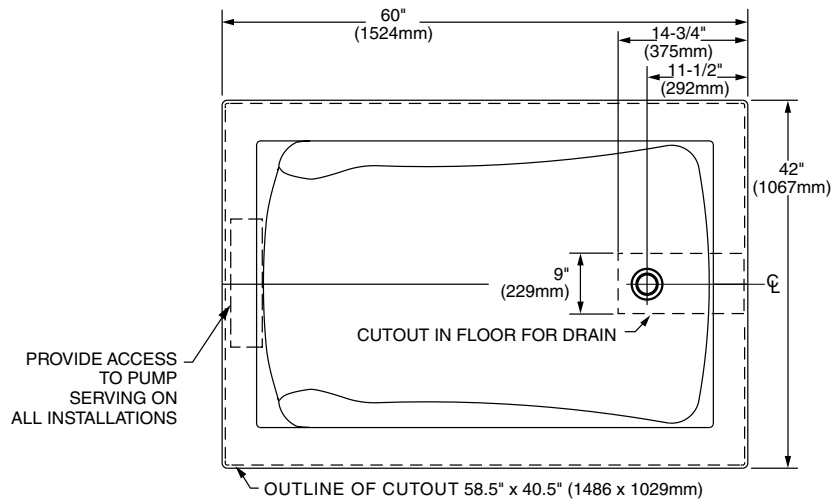


## ROUGH-IN REFERENCES

### MODEL SERIES 3573

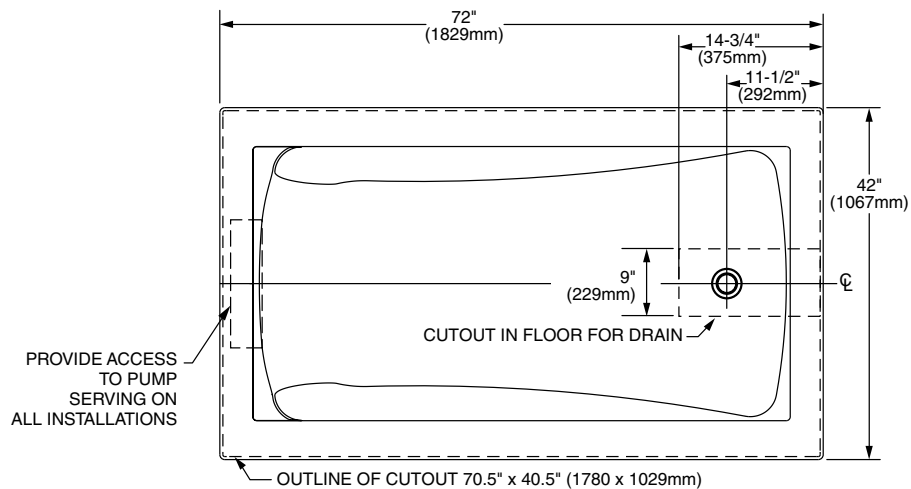


### MODEL SERIES 3574

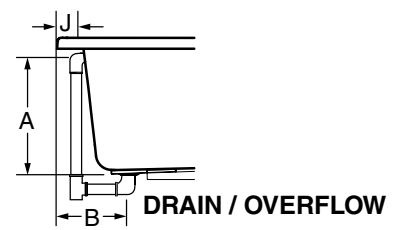
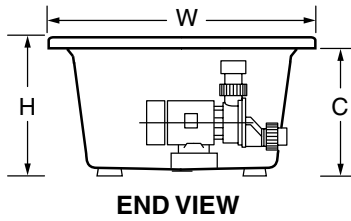
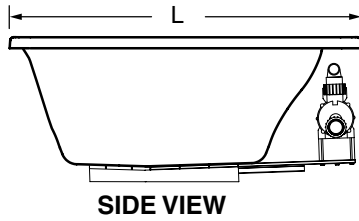


# ROUGH-IN REFERENCES

## MODEL SERIES 3575



**SPECIFICATIONS:**

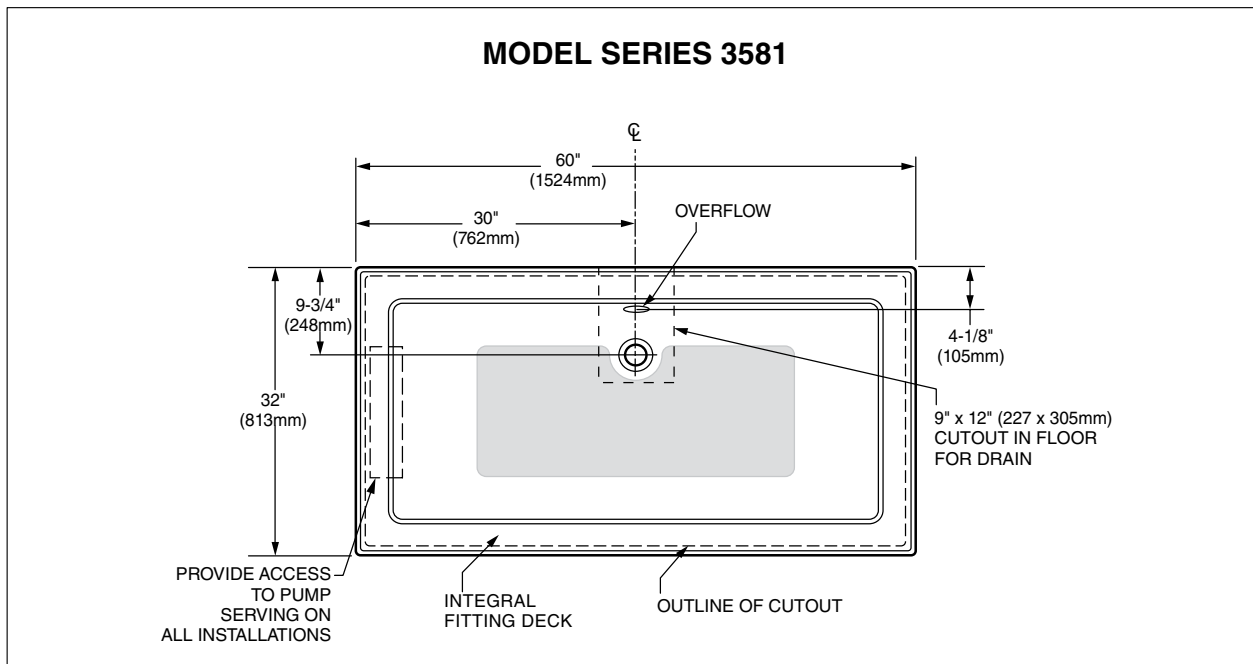


**GENERAL SPECIFICATIONS FOR SERIN WHIRLPOOLS AND BATH TUBS**

Description	Dimensions L-W-H	Drain / Overflow	Height to Underside of Deck: C	Cut Out Pier G x F	Rough-In Recess E x D	Tub Edge to Centerline Overflow: J	Weight with Water / Floor Loading	Product Weight	Gallon to Overflow	Whirlpool Operating Volume
3581 Serin 5' x 32"	L 60" (1524mm) W 32" (813mm) H 23" (584mm)	A 16-3/4" (425mm) B 10-1/4" (260mm)	C 20" (508mm)	58-1/2" (1486mm) x 30-1/2" (775mm)	60-3/16" (1529mm) x 30-1/2" (775mm)		597 lb. (271 kg)/ 45 lb./sq.ft. (219 kg/sq.m)	57 lb. (26 kg.)	54 gal. (246 l.)	
3582 Serin 5-1/2' x 36"	L 66" (1676mm) W 36" (914mm) H 23" (584mm)	A 16-7/8" (429mm) B 9-3/4" (248mm)	C 20" (508mm)	64-1/2" (1638mm) x 34-1/2" (876mm)	66-3/16" (1681mm) x 34-1/2" (876mm)		806 lb. (365 kg)/ 49 lb./sq.ft. (239 kg/sq.m)	65 lb. (29 kg.)	97 gal. (441 l.)	
3583 Serin Oval	L 68" (1727mm) W 38" (965mm) H 23" (584mm)	A 17-1/4" (438mm) B 11-1/2" (292mm)	C 20" (508mm)	Template Provided	68-3/16" (1732mm) x 36-1/2" (927mm)		680 lb. (308 kg)/ 68 lb./sq.ft. (331 kg/sq.m)	60 lb. (27 kg.)	90 gal. (409 l.)	
3584 Serin 6' x 42"	L 72" (1829mm) W 42" (1067mm) H 23" (584mm)	A 17" (432mm) B 10-1/4" (260mm)	C 20" (508mm)	70-1/2" (1791mm) x 40-1/2" (1029mm)	72-3/16" (1834mm) x 40-1/2" (1029mm)		1043lb. (473 kg)/ 50 lb./sq.ft. (243 kg/sq.m)	68 lb. (31 kg.)	125 gal. (568 l.)	

**TABLE 10**

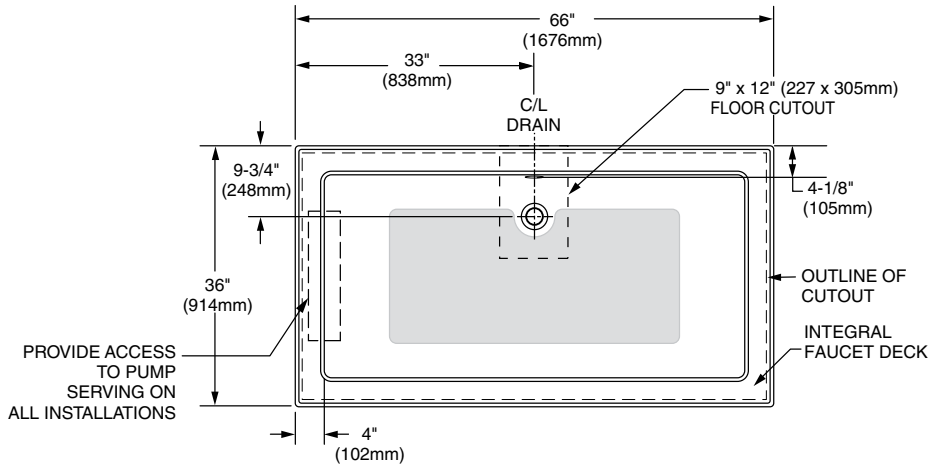
**ROUGH-IN REFERENCES**



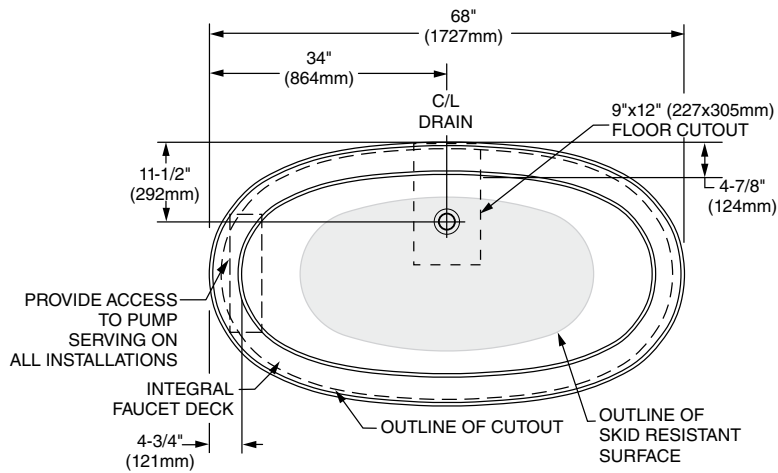


## ROUGH-IN REFERENCES

### MODEL SERIES 3582



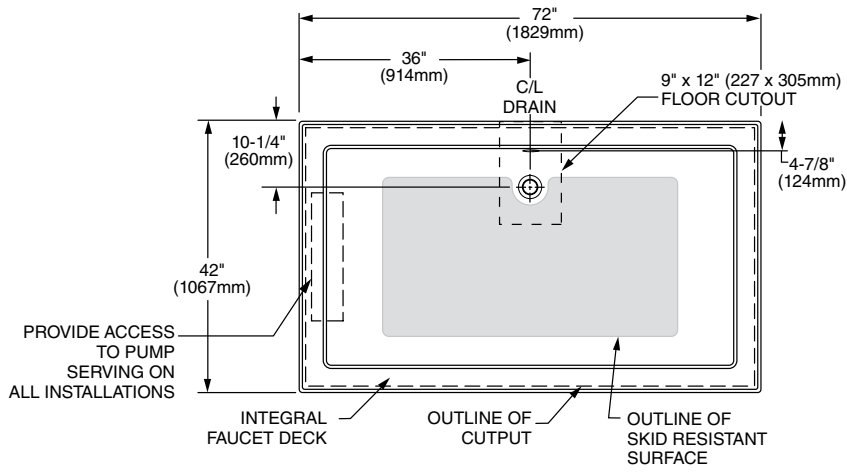
### MODEL SERIES 3583



USE CUT-OUT TEMPLATE SUPPLIED WITH PACKAGED TUB

# ROUGH-IN REFERENCES

## MODEL SERIES 3584



## ELECTRICAL INSTALLATION INSTRUCTIONS

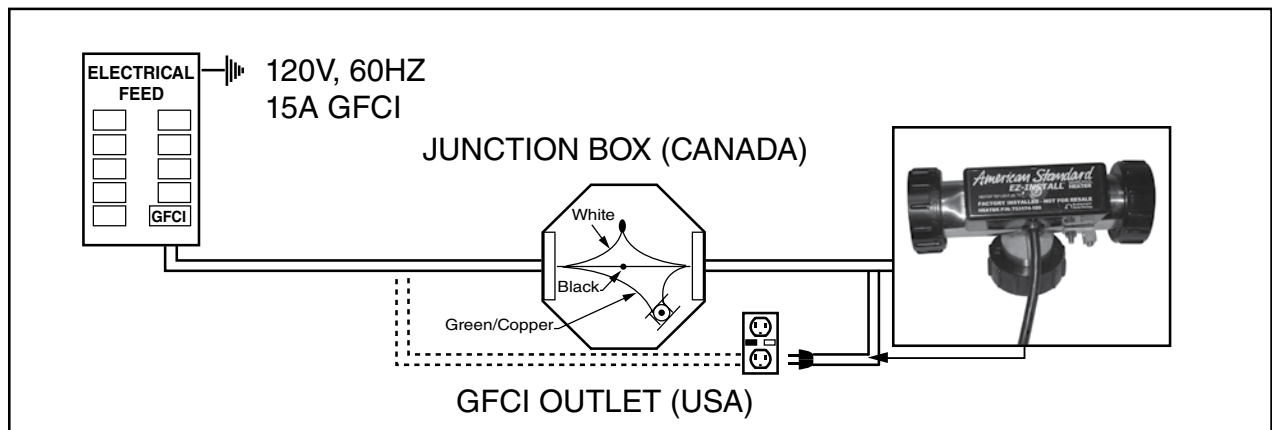
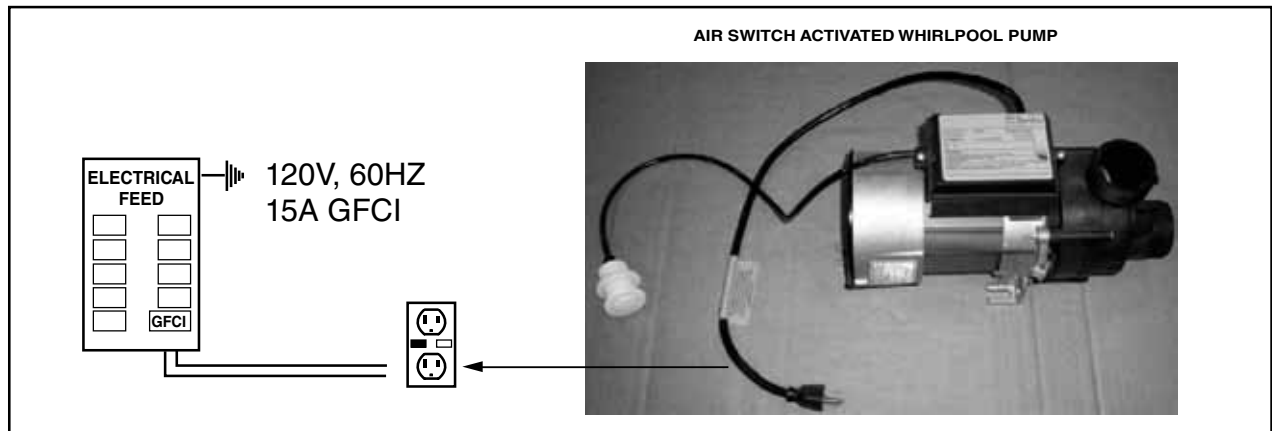
All wiring must be performed by a licensed electrician in accordance with the national electrical code and all other applicable codes.

**WARNING:** When using electrical products, basic precautions should always be observed, including the following:

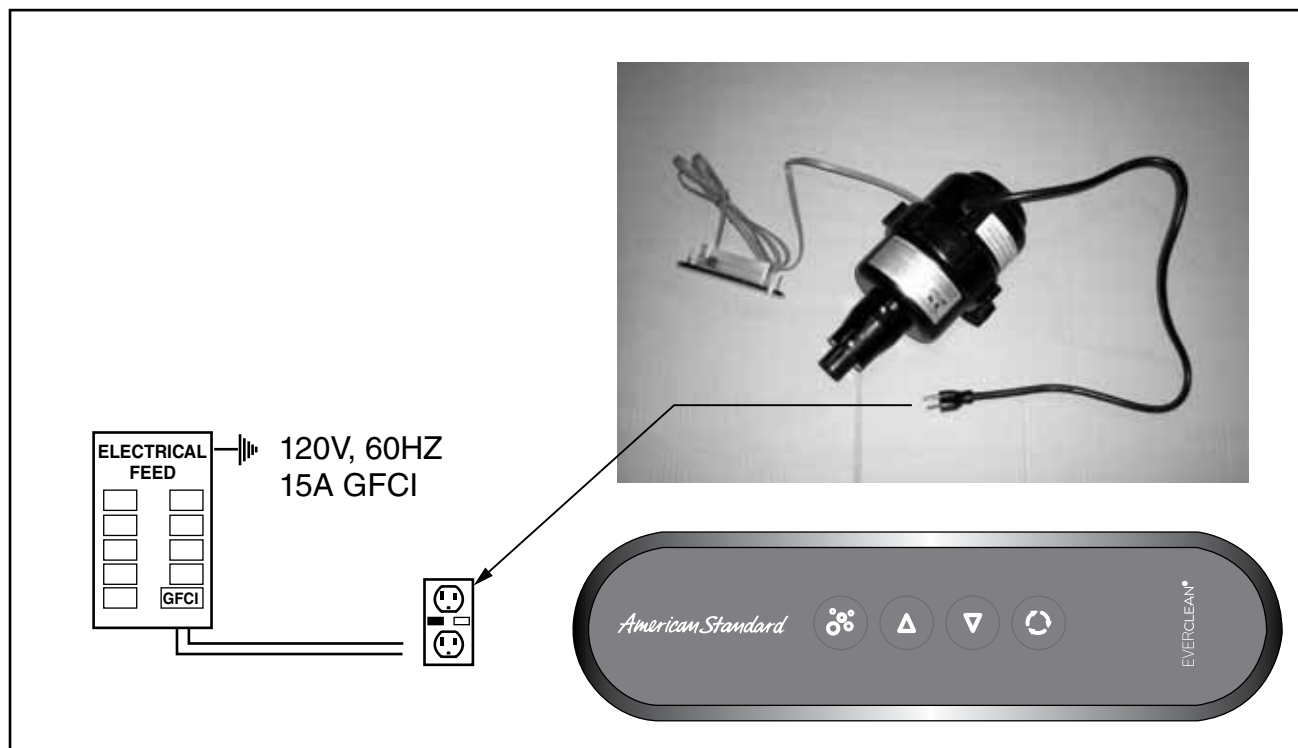
1. **DANGER: RISK OF ELECTRIC SHOCK!** Connect only to a circuit protected by a ground-fault circuit interrupter.
2. Grounding is required. The unit should be installed by a licensed electrician and grounded.
3. Permit access for servicing motor as noted.
4. All building materials and wiring should be routed away from the pump body and heater (if equipped).

Refer to the schematics below for the appropriate bath electrical installation. Dedicated 15A circuits with GFCI (Ground Fault Circuit Interrupter) protection are required.

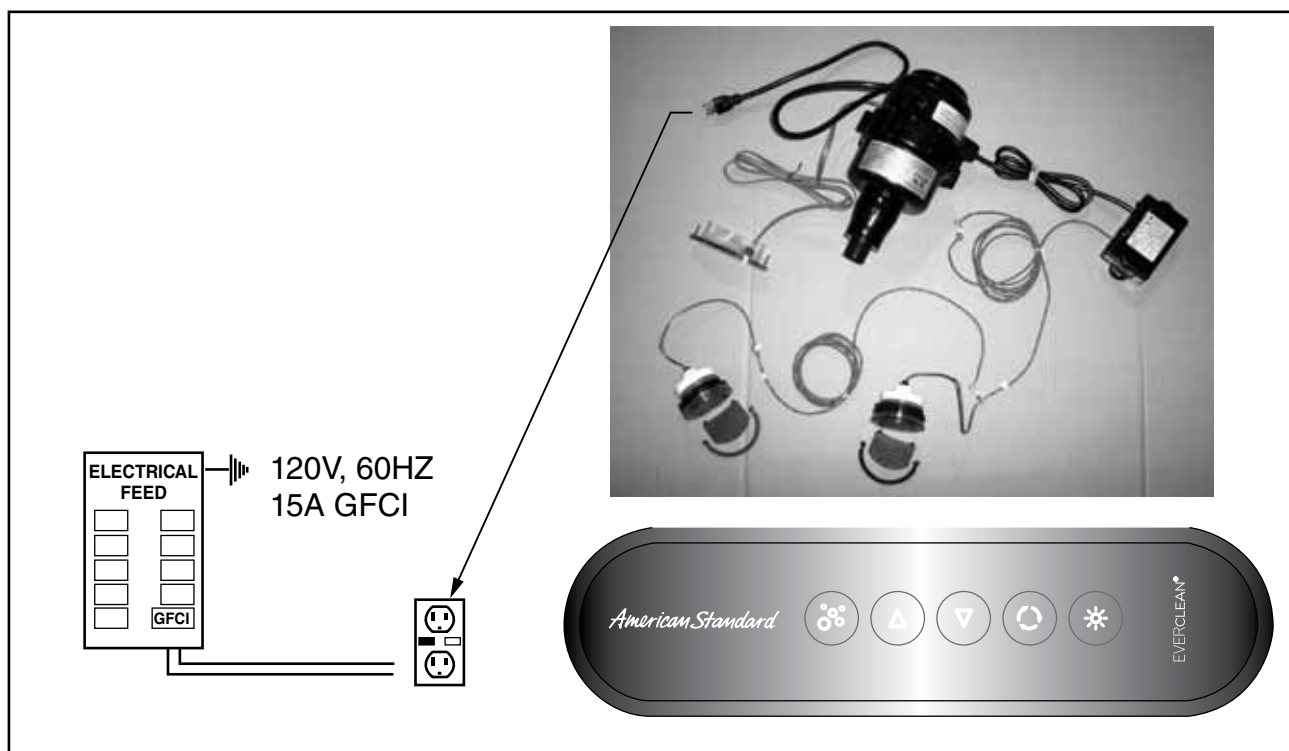
At initial start-up with the power ON, push the GFCI test button. The reset button should pop out. Push this button in to reset. If the GFCI fails to operate in this manner, there is a ground fault or malfunction, indicating the possibility of electrical shock. Turn off the power and do not use until the source of the problem has been identified and corrected.



## ELECTRICAL INSTALLATION INSTRUCTIONS (continued)

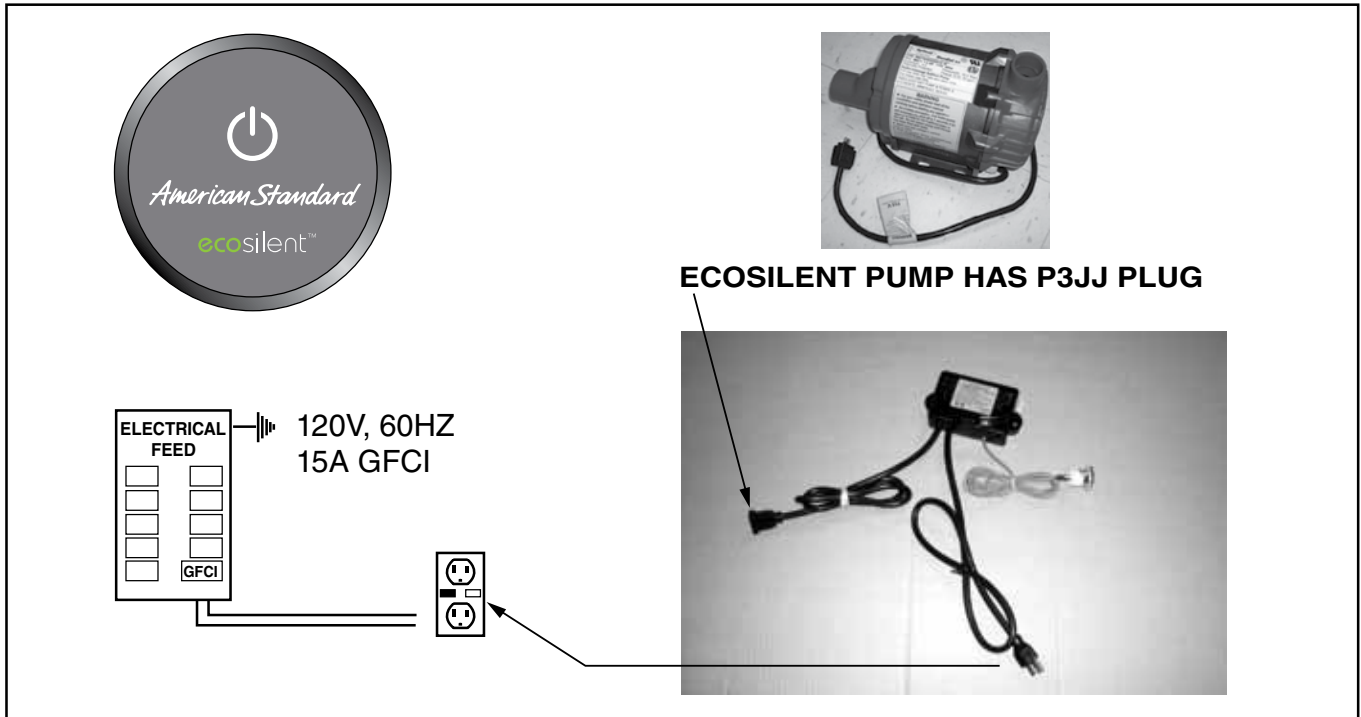


**ELECTRONIC ACTIVATED AIR BATH (4 BUTTON PANEL)**

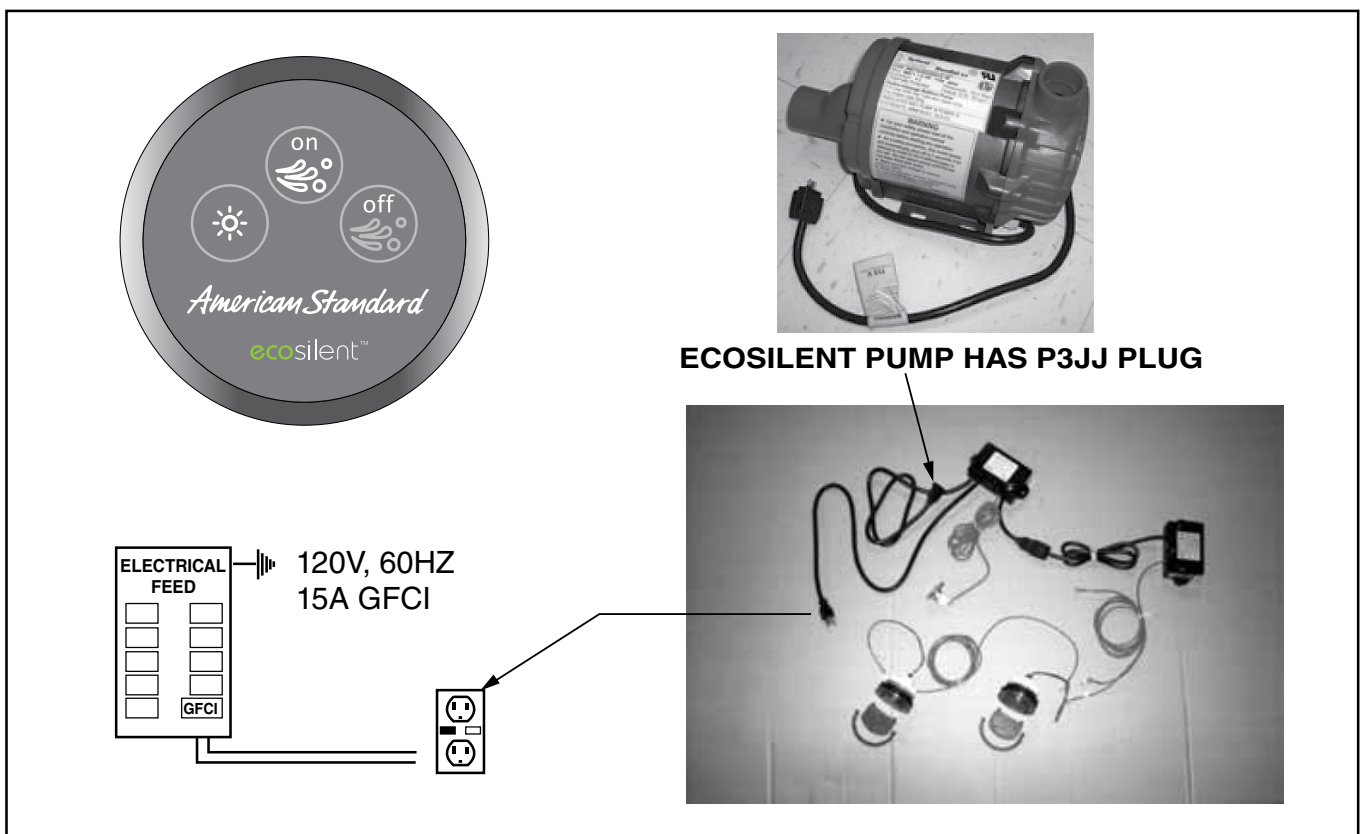


**ELECTRONIC ACTIVATED AIR BATH WITH LIGHTS (5 BUTTON PANEL)**

## ELECTRICAL INSTALLATION INSTRUCTIONS (continued)



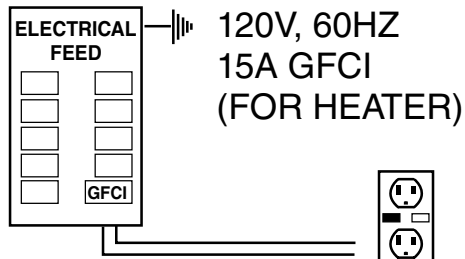
**ELECTRONIC ACTIVATED ECOSILENT WHIRLPOOL (1 BUTTON PANEL)**



**ELECTRONIC ACTIVATED ECOSILENT WHIRLPOOL WITH LIGHTS (3 BUTTON PANEL)**

## ELECTRICAL INSTALLATION INSTRUCTIONS (continued)

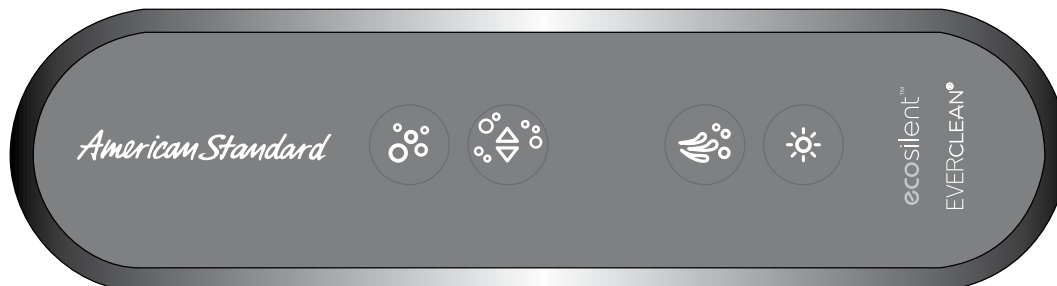
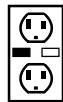
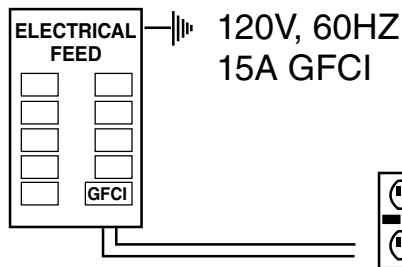
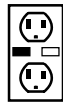
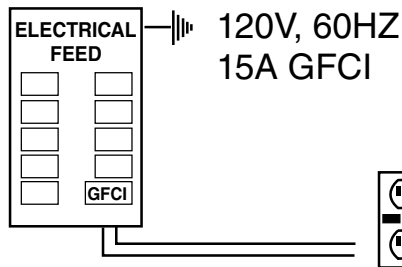
USE THREE GFCI OUTLETS (USA MARKET)



WHIRLPOOL HEATER IS  
FACTORY INSTALLED ON  
COMBINATION TUBS



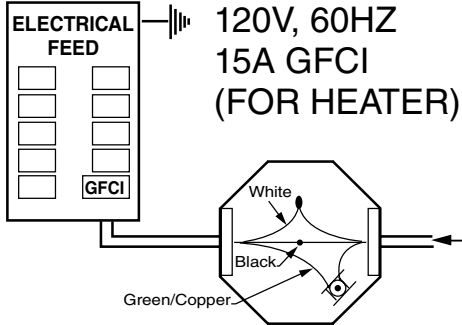
ECOSILENT PUMP  
HAS P3JJ PLUG



## ELECTRONIC ACTIVATED COMBINATION TUB WITH LIGHTS (4 BUTTON PANEL)

**ELECTRICAL INSTALLATION INSTRUCTIONS (continued)**

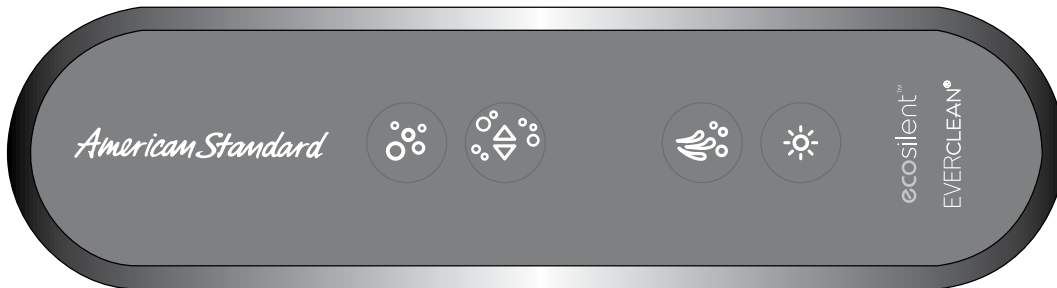
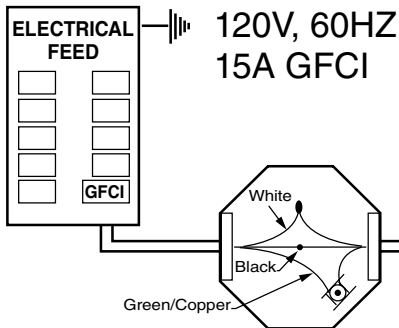
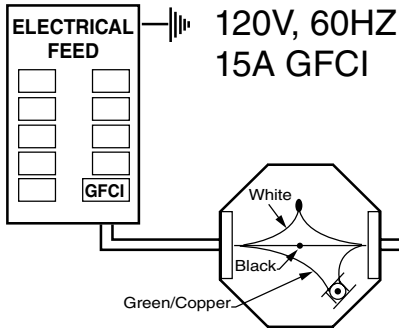
**USE THREE JUNCTION BOXES  
(CANADA MARKET)**



**WHIRLPOOL HEATER IS  
FACTORY INSTALLED ON  
COMBINATION TUBS**



**ECOSILENT PUMP  
HAS P3JJ PLUG**



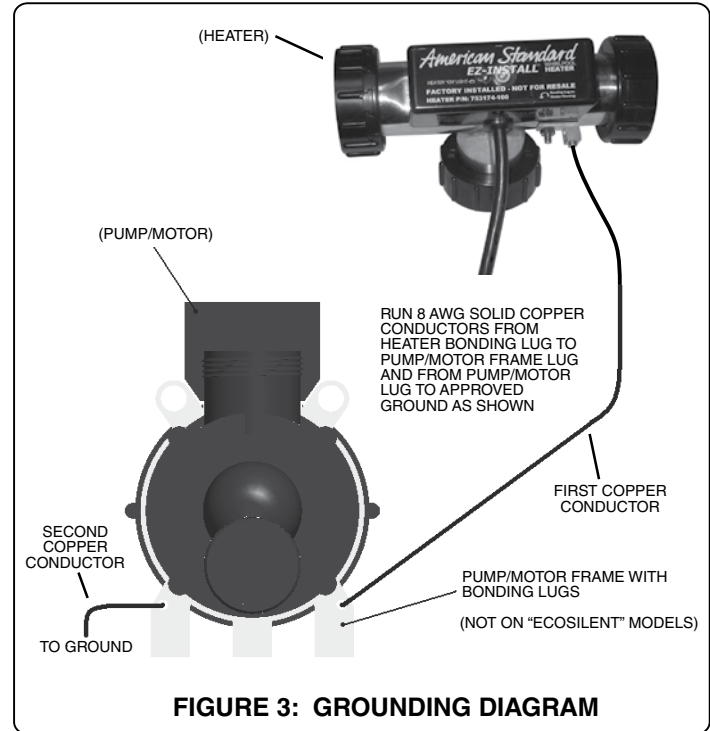
**ELECTRONIC ACTIVATED COMBINATION TUB WITH LIGHTS (4 BUTTON PANEL)**

## ELECTRICAL INSTALLATION INSTRUCTIONS (continued)

Ensure the heater and pump are properly GROUNDED and BONDED as required. Attach the 8 AWG solid copper conductor supplied with the heater from the heater bonding lug to the motor frame bonding lug as shown in Figure 3.

The conductor is secured to the lugs using set screws. The motor frame shall have a second 8 AWG solid copper conductor connected from the frame bonding lug to the home's electrical panel or approved local bonding point as shown in Figure 3.

**NOTE:** For all "EcoSilent" pump configurations, the pump housing is plastic. Therefore, the first copper conductor attached to the heater must be grounded directly to the home's electrical panel or approved local bonding point. this type of configuration does not need the second copper conductor shown in Figure 3.



## WHIRLPOOL HEATER OPERATION

**WARNING:** Prior to operation, review the Important Safety Instructions listed at the beginning of this instruction manual.

Once the heater is installed and the whirlpool pump is operating, the heater is totally automatic. The heater will help maintain the temperature of the water in the bath.

### Pressure Switch

The heater is equipped with a preset pressure switch. The pump must be running with water flowing in the whirlpool to allow the heater to turn on.

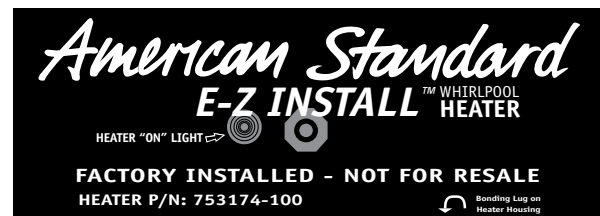
### Indicator Light

This light turns on whenever the heater is operating.

### High-Limit Switch

The heater includes an exclusive "Intelligent High-Limit." This safety circuit will not "false trip" from hot tap water. It will only turn the heater off if the thermostat fails. If the high-limit trips frequently, call a service technician. To manually reset the circuit in the event that the "High-Limit" switch has been activated, simply

- (1) Turn off the whirlpool pump.
- (2) Drain water from the tub.
- (3) Remove power from heater by unplugging at receptacle or turning off circuit breaker.
- (4) The heater circuit will automatically reset in less than 15 minutes.
- (5) Restore power to the heater.
- (6) Whirlpool bath is now ready to use.



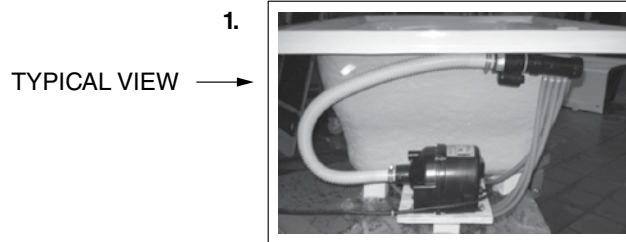
**FIGURE 4: WHIRLPOOL HEATER  
INDICATOR LIGHT**



## REMOTE BLOWER LOCATION OPTION

**IMPORTANT!** It is not necessary that the blower motor be relocated. This option is provided for the case that a particular installation makes this effort practical.

**NOTE:** Relocating blower motor from factory installed location, see photo 1, will require disassembly of air blower from mounting board. Keep all hardware for reattachment at new location. Additional hardware will be required depending upon final desired position of air blower. Follow all instructions listed below.



**NOTE:** Installing the blower in a remote location will reduce the system efficiency.

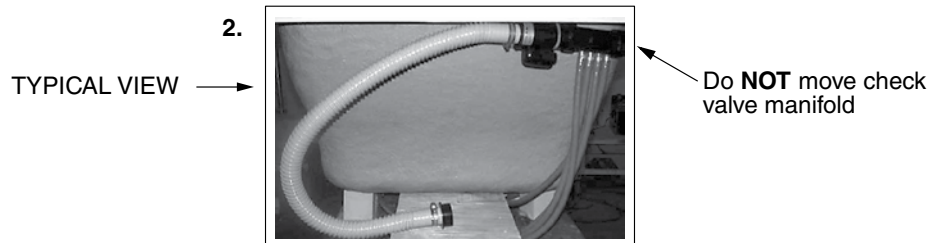
**NOTE:** Relocating a blower motor still requires a service access for the blower.

**NOTE:** All materials needed for the relocation must be supplied by the installer. This includes ordering a longer control panel cable (754025-0073A), a longer flexible blower hose (753960-2030A), and up to two lighting cable extensions for combo models (754512-0070A).

A separate circuit, which must be protected by the Ground Fault Circuit Interrupter (GFCI), is required in the remote location. Electrical connections should be performed by a licensed electrician.

The blower motor must be located within 12 feet of rigid piping from the bath air manifold. This limitation is for the total pipe length and applies to any direction changes and elbows. There can be no more than six changes of direction. There should be as few direction changes as possible and the piping installation must meet all requirements of local plumbing and building codes.

Disconnect the blower from the flexible hose as shown in photo 2. Do NOT remove the check valve manifold that is mounted to the underside of the air bath. The manifold MUST remain mounted above the tub overflow level as shown in 2.



Replace the flexible hose shown in photo 2 with the longer flexible hose (P/N 753960-2030A) using the existing hose clamps.

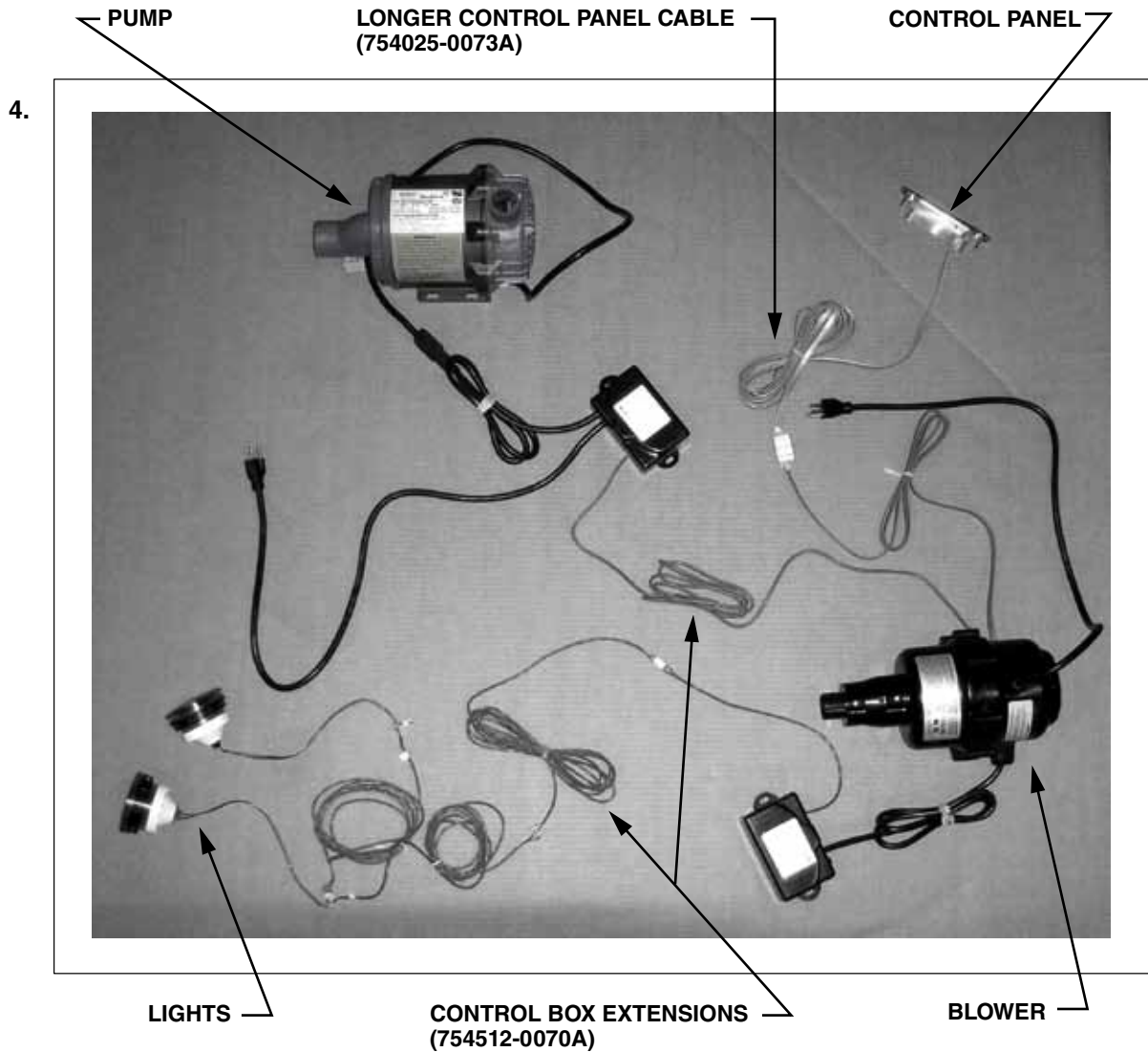
**NOTE:** Do NOT remove the original cable coming out of the blower. Instead, plug the longer cable (P/N 754025-0073A) into the existing cable that is coming out of the blower as shown in photo 3. Then plug the remaining end of the longer cable into the control panel which remains on the tub wall.



## REMOTE BLOWER LOCATION OPTION (continued)

### FOR THE COMBINATION WHIRLPOOL / AIR BATH CONFIGURATIONS ONLY:

Up to two additional control box extensions (P/N 754512-0070A) are required as shown in photo 4 (below). Simply extend the cables going to the blower by adding in the extension cables. Be careful not to damage the cable connections and never plug in cables while power is applied to blower and/or pump.



# Operation: Single Speed Whirlpool



**AIR SWITCH**



**ELECTRONIC SWITCH**

## **BATHING:**

- Fill bath with water at a comfortable bathing temperature - If your whirlpool is equipped with the optional EZ-Heater, it will automatically maintain the water temperature.
- **IMPORTANT:** Do NOT fill the whirlpool more than 2/3 full before getting in, as it may overflow.
- **IMPORTANT:** Do NOT add bath oils or salts – this will damage the whirlpool pump.
- **IMPORTANT:** Water level must be at least one inch (25mm) above the highest jet before the whirlpool is started. Operating the system without water (dry running) for extended periods will cause pump damage and void the warranty.
- **IMPORTANT:** The EcoSilent whirlpool will NOT operate unless the water level is at least one inch above the highest jet.

## **STARTING WHIRLPOOL:**

- Press on/off button to start whirlpool.

## **STOPPING WHIRLPOOL:**

- Press on/off button again to stop whirlpool.

## **AIR VOLUME CONTROL ADJUSTMENTS:**

- Water turbulence is determined by the amount of air mixed with the water. Rotate the air volume control counterclockwise for more turbulence, and clockwise for less.

## **FLOW JET VOLUME ADJUSTMENTS:**

- Water flow-levels can be adjusted from vigorous to soft by rotating the nozzle counterclockwise for vigorous and clockwise for soft.

- **The water flow to the mini-jets in the lumbar area of bath (if so equipped) can be adjusted by turning the mini-jet flow control valve open (counterclockwise) or closed (clockwise). the mini-jets themselves are NOT adjustable.**

# Operation: EcoSilent Whirlpool with Lights



**3-BUTTON ELECTRONIC SWITCH**

DISPLAY COLORS	
1 <sup>ST</sup>	WHITE
2 <sup>ND</sup>	SLOW RAINBOW CYCLE
3 <sup>TH</sup>	FAST RAINBOW CYCLE
4 <sup>TH</sup>	TURQUOISE
5 <sup>TH</sup>	BLUE
6 <sup>TH</sup>	MAGENTA
7 <sup>TH</sup>	RED
8 <sup>TH</sup>	ORANGE
9 <sup>TH</sup>	YELLOW
10 <sup>TH</sup>	GREEN
11 <sup>TH</sup>	RETURN TO SLOW RAINBOW CYCLE

## BATHING:

- Fill bath with water at a comfortable bathing temperature - If your whirlpool is equipped with the optional EZ-Heater, it will automatically maintain the water temperature.
- **IMPORTANT:** Do NOT fill the whirlpool more than 2/3 full before getting in, as it may overflow.
- **IMPORTANT:** Do NOT add bath oils or salts – this will damage the whirlpool pump.
- **IMPORTANT:** Water level must be at least one inch (25mm) above the highest jet before the whirlpool is started. Operating the system without water (dry running) for extended periods will cause pump damage and void the warranty.
- **IMPORTANT:** The EcoSilent whirlpool will NOT operate unless the water level is at least one inch above the highest jet.



- To start whirlpool pump, press “on” button.



- To stop whirlpool pump, press “off” button.



- To turn on Chromatherapy lights, press light button once. The cycle will start on white.
- Turn off and on within 3 seconds; it will change to slow rainbow cycle and so on per the display color table shown above.

## AIR VOLUME CONTROL ADJUSTMENTS:

- Water turbulence is determined by the amount of air mixed with the water. Rotate the air volume control counterclockwise for more turbulence, and clockwise for less.

## FLOW JET VOLUME ADJUSTMENTS:

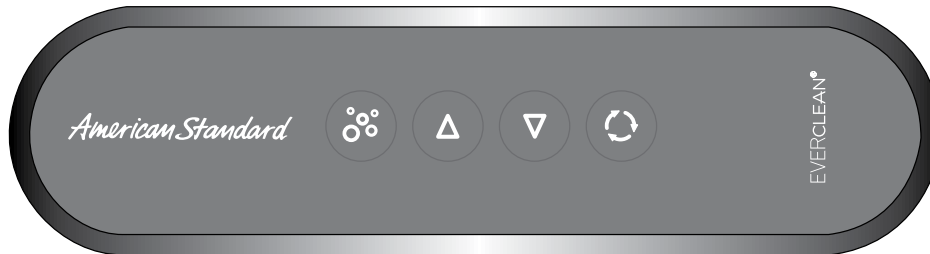
- Water flow-levels can be adjusted from vigorous to soft by rotating the nozzle counterclockwise for vigorous and clockwise for soft.
- The water flow to the mini-jets in the lumbar area of bath (if so equipped) can be adjusted by turning the mini-jet flow control valve open (counterclockwise) or closed (clockwise). the mini-jets themselves are NOT adjustable.





# Operation: Air Bath

## BATHING:

- Close drain by rotating Drain Overflow Knob COUNTER-CLOCKWISE
- Fill bath with water at a comfortable bathing temperature, adding bath oils or salts as desired.

## OPERATING AIR MASSAGE SYSTEM:



	<b>ON/OFF:</b> Press this button once to turn air-blower on. Press again to turn air-blower off.
	<b>AIR SPEED INCREASE:</b> Pressing this button will increase to the next higher speed.
	<b>AIR SPEED DECREASE:</b> Pressing this button will decrease to the next lower speed.
	<b>WAVE FUNCTION:</b> Press this button to start the wave function (button will light). Blower speed will continuously vary between high and low. Press again to exit wave function (button light will go out).

## EXITING THE BATH

- Be sure to turn off the air blower before draining bath.
- Open drain by rotating drain knob clockwise.

## DRYING CYCLE OPTIONS

### STANDARD DRYING CYCLE

An automatic drying cycle will start 20 minutes after the blower is turned off. The blower LED blinks while waiting for the purge cycle.

### 24H PROGRAMMABLE DRYING CYCLE

The system must be stopped prior to activation or deactivation.

Activation: Determine at which time you wish to purge to activate. At that precise time, press and hold the second button on the keypad for 5 seconds, all LEDs will flash twice. The purge cycle will now start at the programmed time every 24 hrs. In the event of a power failure, the program will be automatically deactivated.

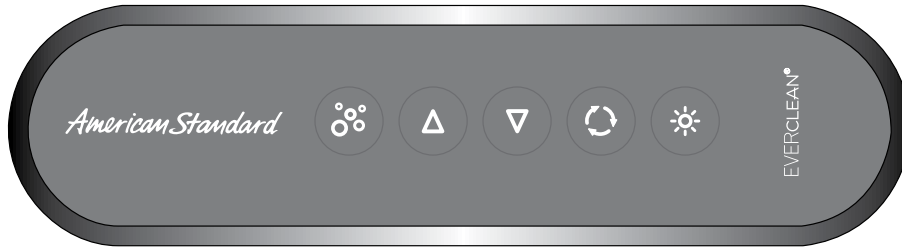
Deactivation: Press and hold the second button on the keypad for 5 seconds, all LEDs will flash once to confirm deactivation.

# Operation: Air Bath with Lights

## BATHING:

- Close drain by rotating Drain Overflow Knob COUNTER-CLOCKWISE
- Fill bath with water at a comfortable bathing temperature, adding bath oils or salts as desired.

## OPERATING AIR MASSAGE and CHROMATHERAPY SYSTEM:



	<b>ON/OFF:</b> Press this button once to turn air-blower on. Press again to turn air-blower off.
	<b>AIR SPEED INCREASE:</b> Pressing this button will increase to the next higher speed.
	<b>AIR SPEED DECREASE:</b> Pressing this button will decrease to the next lower speed.
	<b>WAVE FUNCTION:</b> Press this button to start the wave function (button will light). Blower speed will continuously vary between high and low. Press again to exit wave function (button light will go out).

DISPLAY COLORS	
1 <sup>ST</sup>	WHITE
2 <sup>ND</sup>	SLOW RAINBOW CYCLE
3 <sup>TH</sup>	FAST RAINBOW CYCLE
4 <sup>TH</sup>	TURQUOISE
5 <sup>TH</sup>	BLUE
6 <sup>TH</sup>	MAGENTA
7 <sup>TH</sup>	RED
8 <sup>TH</sup>	ORANGE
9 <sup>TH</sup>	YELLOW
10 <sup>TH</sup>	GREEN
11 <sup>TH</sup>	RETURN TO SLOW RAINBOW CYCLE

	<ul style="list-style-type: none"> <li>• To turn on Chromatherapy lights, press light button once. The cycle will start on white.</li> <li>• Turn off and on within 3 seconds; it will change to slow rainbow cycle and so on per the display color table shown above.</li> </ul>
--	---

# Operation: Air Bath with Lights (continued)

## EXITING THE BATH

- Be sure to turn off the air blower before draining bath.
- Open drain by rotating drain knob clockwise.

## DRYING CYCLE OPTIONS

### STANDARD DRYING CYCLE

An automatic drying cycle will start 20 minutes after the blower is turned off. The blower LED blinks while waiting for the purge cycle.

### 24H PROGRAMMABLE DRYING CYCLE

The system must be stopped prior to activation or deactivation.

Activation: Determine at which time you wish to purge to activate. At that precise time, press and hold the second button on the keypad for 5 seconds, all LEDs will flash twice. The purge cycle will now start at the programmed time every 24 hrs. In the event of a power failure, the program will be automatically deactivated.

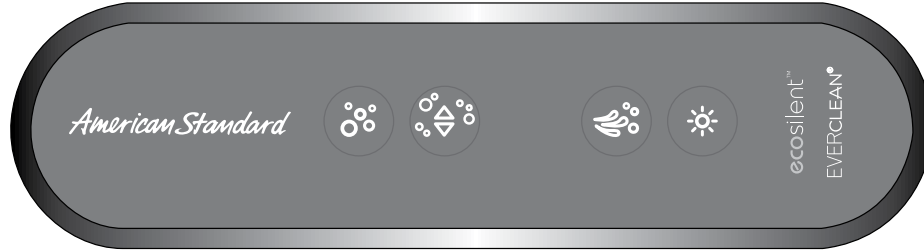
Deactivation: Press and hold the second button on the keypad for 5 seconds, all LEDs will flash once to confirm deactivation.

# Operation: Combination Tub with Lights

## BATHING:

- Close drain by rotating Drain Overflow Knob COUNTER-CLOCKWISE
- Fill bath with water at a comfortable bathing temperature, adding bath oils or salts as desired.

## OPERATING AIR MASSAGE and CHROMATHERAPY SYSTEM:



	<ul style="list-style-type: none"> <li>• Press this button to turn blower on.</li> <li>• Press this button again to turn blower off.</li> </ul>
	<ul style="list-style-type: none"> <li>• Press and hold button to increase blower speed. Release button at desired speed.</li> <li>• Press and hold button to decrease speed. Release button at desired speed.</li> </ul>
	<ul style="list-style-type: none"> <li>• Press button to turn whirlpool pump on.</li> <li>• Press button to turn whirlpool pump off.</li> </ul>

DISPLAY COLORS	
1 <sup>ST</sup>	WHITE
2 <sup>ND</sup>	SLOW RAINBOW CYCLE
3 <sup>TH</sup>	FAST RAINBOW CYCLE
4 <sup>TH</sup>	TURQUOISE
5 <sup>TH</sup>	BLUE
6 <sup>TH</sup>	MAGENTA
7 <sup>TH</sup>	RED
8 <sup>TH</sup>	ORANGE
9 <sup>TH</sup>	YELLOW
10 <sup>TH</sup>	GREEN
11 <sup>TH</sup>	RETURN TO SLOW RAINBOW CYCLE

	<ul style="list-style-type: none"> <li>• To turn on Chromatherapy lights, press light button once. The cycle will start on white.</li> <li>• Turn off and on within 3 seconds; it will change to slow rainbow cycle and so on per the display color table shown above.</li> </ul>
--	---



# Operation: Combination Tub with Lights (continued)

## EXITING THE BATH

- Be sure to turn off the air blower before draining bath.
- Open drain by rotating drain knob clockwise.

## DRYING CYCLE OPTIONS

### STANDARD DRYING CYCLE

An automatic drying cycle will start 20 minutes after the blower is turned off. The blower LED blinks while waiting for the purge cycle.

### 24H PROGRAMMABLE DRYING CYCLE

The system must be stopped prior to activation or deactivation.

Activation: Determine at which time you wish to purge to activate. At that precise time, press and hold the second button on the keypad for 5 seconds, all LEDs will flash twice. The purge cycle will now start at the programmed time every 24 hrs. In the event of a power failure, the program will be automatically deactivated.

Deactivation: Press and hold the second button on the keypad for 5 seconds, all LEDs will flash once to confirm deactivation.

Your American Standard whirlpool is designed to give you many years of pleasure with reasonable care and maintenance.

Your new acrylic bathtub is tough, durable and easy to care for. The colors have been formulated to match other American Standard fixtures and enhance your choice of bathroom decorations. The high gloss surface will retain its lasting luster with proper care and maintenance.

#### **CLEANING AND MAINTENANCE:**

- Always fill the tub with temperate water. Excessively hot water (greater than 130° F) may cause surface damage.
- Remove bath mat after use and hang to dry. Allowing bath mat to dry in the tub may cause surface damage.
- Clean after use with a mild liquid household detergent cleaner. Do not turn on jets when such cleaners are present.

**Do not use:** Lestoil® Cleaner; Lysol® Disinfectant (spray or concentrate); or Lysol® Basin, Tub and Tile Cleaner; Windex® Cleaner; Mr. Clean® Cleaner; Dow® Disinfectant Bathroom Cleaner\*; or other cleaning products in aerosol cans.

#### **HARSH CHEMICALS, SHARP AND ABRASIVE OBJECTS SHOULD NEVER BE USED ON ACRYLIC SURFACES**

- Do not use wire brushes, knives or sharp objects to remove stains or other surface blemishes.
- Use of abrasive cleaners or powders will dull the surface. If the glossy surface loses its sheen, dulled areas can be partially restored by rubbing with a white automotive body polishing compound and waxing with a liquid wax.  
**Do not wax surfaces where you walk or stand.**
- Do not allow nail polish remover, acetone, dry-cleaning fluid, paint remover, or other solvents to come into contact with the surface.
- Clean the surrounding surface immediately after using caustic drain cleaners.  
**Do not permit drain cleaner to enter circulation system.**
- Burning cigarettes will irreparably damage the surface of the whirlpool.

#### **CLEANING/PURGING THE CIRCULATION SYSTEM**

Once every month the circulating system must be purged and cleaned. Follow the steps outlined below:

1. Fill whirlpool with warm water and add two teaspoons of powdered automatic dishwasher (not laundry) detergent and one-half cup of household bleach to filled whirlpool.
2. Activate whirlpool system in accordance with operating instructions and run system for two minutes.
3. Drain and refill whirlpool with cold water. Circulate for five minutes.
4. Drain whirlpool completely after step 3 (above) is completed.

For Troubleshooting and Repair Parts please log on to [www.americanstandard-us.com](http://www.americanstandard-us.com)

\* Lestoil® is a registered trademark of The Clorox Company.  
Lysol® is a registered trademark of The Linden Company.  
Windex® is a registered trademark of S.C. Johnson and Son, Inc.  
Mr. Clean® is a registered trademark of The Procter and Gamble Company.  
Dow® is a registered trademark of The Dow Chemical Company.

## AS America, Inc. Limited Lifetime Warranty for Premium Acrylic Air Baths

AS America, Inc. ("American Standard") warrants to the original consumer purchaser that it will, at its option, repair or replace this whirlpool or any of its parts that are found by American Standard, in its sole judgment, to be defective under normal residential use and maintenance so long as it is owned by the original consumer purchaser.

This warranty shall only become effective upon receipt by American Standard of a completely filled out Warranty Registration Card evidencing proof of purchase.

This limited warranty does not apply to commercial installations. The warranty for commercial installations is three (3) years.

THIS WARRANTY SHALL BE VOID IF THE ACCESS PANEL TO THE WHIRLPOOL IS COVERED IN ANY MANNER CONTRARY TO THE INSTALLATION INSTRUCTIONS. In no event will American Standard be liable for the cost of repair or replacement of any installation materials including but not limited to tiles, marble etc.

This limited warranty DOES NOT COVER the following:

1. Defects or damages arising from shipping, installation, alterations, accidents, abuse, misuse, lack of proper maintenance and cleaning as directed in the owner's manual and use of other than genuine American Standard replacement parts, in all cases whether caused by a plumbing contractor, service company, the owner or any other person.
2. Deterioration through normal wear and tear and the expense of normal maintenance.
3. Commercial application.
4. Options and accessories. American Standard's limited warranty on these items is one year for parts only and excludes labor. This one year limited warranty covers accessories manufactured by American Standard (e.g. aprons, drains, grab bars, heaters, trim kits) against defects of material or workmanship. Warranty coverage begins on the date the accessory was originally purchased by the owner.
5. Postage or shipping costs for returning products for repairs or replacement under this limited warranty and labor or other costs incurred in connection with product removal or installation under this limited warranty.
6. ANY LIABILITY FOR CONSEQUENTIAL OR INCIDENTAL DAMAGES, ALL OF WHICH ARE HEREBY EXPRESSLY DISCLAIMED, OR THE EXTENSION BEYOND THE DURATION OF THIS LIMITED WARRANTY OF ANY IMPLIED WARRANTIES, INCLUDING THOSE OF MERCHANTABILITY OR FITNESS FOR AN INTENDED PURPOSE. (Some jurisdictions do not allow limitations on how long an implied warranty lasts, or the exclusion or limitation of incidental or consequential damages, so these limitations and exclusions may not apply to you.)
7. Responsibility for compliance with local code requirements. (Since local code requirements vary greatly distributors, retailers, dealers, installation contractors and users of plumbing products should determine whether there are any code restrictions on the installation or use of a specific product.)

This warranty gives you specific legal rights. You may have other legal rights that vary from state to state. For service under this warranty, you should contact the following:

By Mail: American Standard Brands  
P.O. Box 6820  
Piscataway, N.J. 08855  
Attention: Customer Care Center

By Telephone:  
**1-800-442-1902**



## Free Manuals Download Website

<http://myh66.com>

<http://usermanuals.us>

<http://www.somanuals.com>

<http://www.4manuals.cc>

<http://www.manual-lib.com>

<http://www.404manual.com>

<http://www.luxmanual.com>

<http://aubethermostatmanual.com>

Golf course search by state

<http://golfingnear.com>

Email search by domain

<http://emailbydomain.com>

Auto manuals search

<http://auto.somanuals.com>

TV manuals search

<http://tv.somanuals.com>