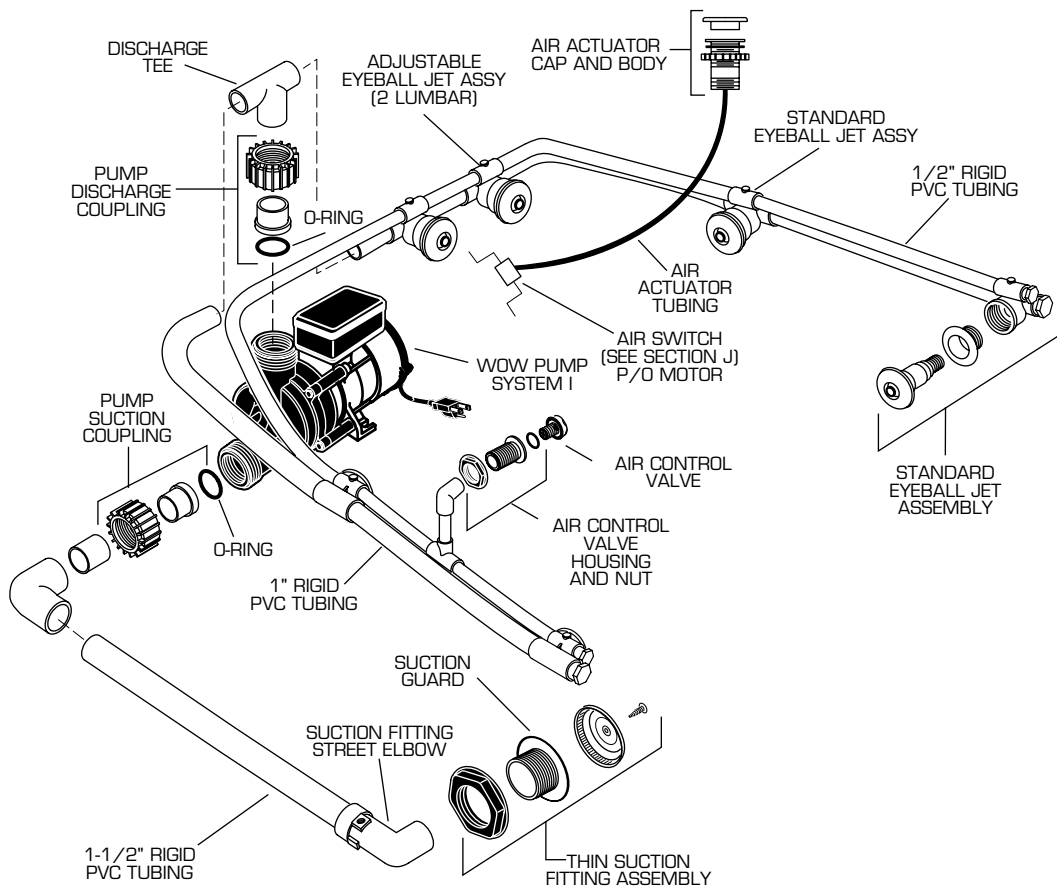


# RENAISSANCE WHIRLPOOL MODEL NUMBER

2732.018

*American Standard*



DESCRIPTION	PART NUMBER	PKG QTY
Pump Suction Coupling	047186-0070A	1
O-Ring	047187-0070A	1
Pump Discharge Coupling	047186-0070A	1
★ Air Control Valve Assembly	752484-XXX0A	1
★ Standard Eyeball Jet Assembly $\triangle$	752482-XXX0A	1
★ Adjustable Eyeball Jet Assembly $\triangle$	752483-XXX0A	1
★ Thin Suction Fitting Assembly $\triangle$	752485-XXX0A	1
Discharge Tee	047438-0070A	1
WOW Pump w/Air Switch (1 HP)	752538-0070A	1
Air Switch (See Section J)	752388-0070A	1
★ Air Actuator Cap and Body	752439-XXX0A	1
Air Actuator Tubing	047602-0070A	3 ft.

NOTE: Schedule 40 Rigid PVC Piping available through local plumbing supply outlets.  
See Section "J" for Additional Parts and Accessories.

$\triangle$  Removal/installation requires tool part no. 752543-0070A.

★ Replace XXX with Fixture Color Code

## Free Manuals Download Website

<http://myh66.com>

<http://usermanuals.us>

<http://www.somanuals.com>

<http://www.4manuals.cc>

<http://www.manual-lib.com>

<http://www.404manual.com>

<http://www.luxmanual.com>

<http://aubethermostatmanual.com>

Golf course search by state

<http://golfingnear.com>

Email search by domain

<http://emailbydomain.com>

Auto manuals search

<http://auto.somanuals.com>

TV manuals search

<http://tv.somanuals.com>