

**Standard Collection® PEDESTAL SINK**

- Authentically styled circa "1922" oval pedestal
- Made from fine fireclay
- Front overflow
- Supplied with mounting kit
- **Design matched to Standard Collection® fixtures**
- Right Height™ for greater comfort
- Recommended design matched 8" spread faucet #2881 available in chrome or satin finish

**0283.800** Faucet holes on 8" (203mm) centers

**Nominal Dimensions:**

26-3/4" x 20" x 36"  
(679 x 508 x 914mm)

**Separate Components:**

**0283.008** Pedestal top 8" (203mm) centers

**0067.000** Pedestal only

**Bowl sizes:**

16-3/4" (425mm) wide  
11-1/4" (286mm) front to back  
6-1/4" (159mm) deep

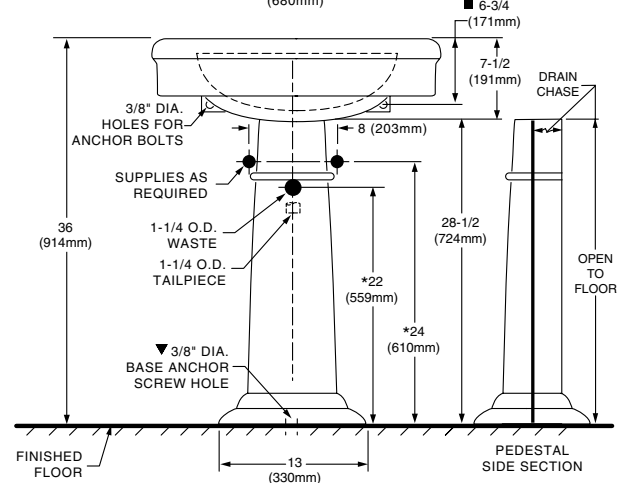
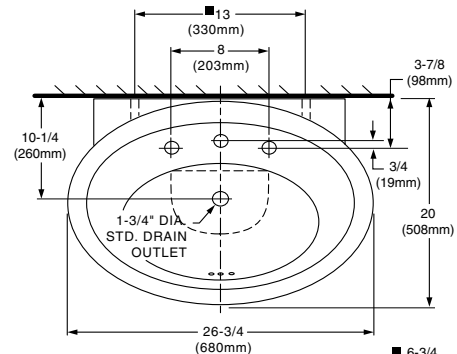
**Compliance Certifications -**

**Meets or Exceeds the Following Specifications:**

- ASME A112.19.9M for Non-Vitreous Ceramic Fixtures
- CAN/CSA B45 Series

**To Be Specified:**

- Color:  White  Linen
- Recommended Faucet: 8" spread No. 2881
- Faucet Finish: Chrome or Satin
- Supplies:
- 1-1/4" Trap:



**NOTES:**  
\* DIMENSIONS SHOWN FOR LOCATION OF SUPPLIES AND "P" TRAP ARE SUGGESTED.  
▼ PEDESTAL ANCHORING SCREWS NOT INCLUDED.  
■ SUITABLE FOR REINFORCEMENT ONLY. ACTUAL DIMENSIONS MUST BE TAKEN FROM FIXTURE.  
FITTINGS NOT INCLUDED AND MUST BE ORDERED SEPARATELY.  
PROVIDE SUITABLE REINFORCEMENT FOR ALL WALL SUPPORTS.  
INSTALLATION INSTRUCTIONS SUPPLIED WITH LAVATORY.

**IMPORTANT:** Dimensions of fixtures are nominal and may vary within the range of tolerances established by ANSI Standard A112.19.9M. These measurements are subject to change or cancellation. No responsibility is assumed for use of superseded or voided pages.

## Free Manuals Download Website

<http://myh66.com>

<http://usermanuals.us>

<http://www.somanuals.com>

<http://www.4manuals.cc>

<http://www.manual-lib.com>

<http://www.404manual.com>

<http://www.luxmanual.com>

<http://aubethermostatmanual.com>

Golf course search by state

<http://golfingnear.com>

Email search by domain

<http://emailbydomain.com>

Auto manuals search

<http://auto.somanuals.com>

TV manuals search

<http://tv.somanuals.com>