



Model 250SX

AQ3 Vent Kit & Additional Parts

(For Horizontal Venting)



IMPORTANT

In order for this water heater to perform properly, correct venting is necessary. See 250SX Installation Manual.



BBT NORTH AMERICA CORPORATION
Bosch Group

Bosch Water Heating
340 Mad River Park
Waitsfield, VT 05673

800-354-4838
www.boschhotwater.com

The AQ3 Vent Kit, for Bosch AquaStar Model 250SX, is designed to be used in the following room-sealed or unsealed installations. Please note that some installations may require additional venting parts. See back page for a list of additional venting parts.

Room-Sealed; Twin Pipe System (Recommended)

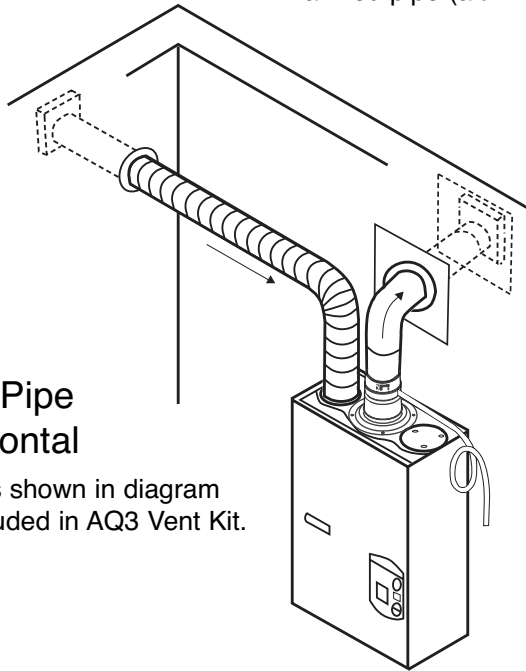
Exhaust Venting:

This heater requires Category III AL29-4C, 3" or 4" diameter stainless steel vent pipe (3" provided in Vent Kit).

Intake/Combustion Air:

The combustion air pipe system may be constructed of either 3" PVC, aluminum or galvanized pipe (aluminum provided in Vent Kit).

The exhaust vent pipe and the combustion air pipe each have a maximum length of 26 feet (8m) with one elbow. For each additional elbow after the first elbow, you must reduce 2.5 feet from the total length. A maximum of 3 elbows on each pipe is allowed.



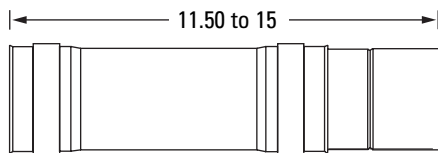
Twin Pipe Horizontal

All parts shown in diagram are included in AQ3 Vent Kit.

A condensate drain kit must be used in all installations.

A condensate drain kit is included with the AquaStar 250SX.

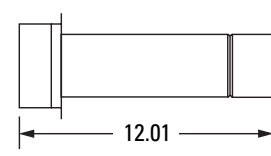
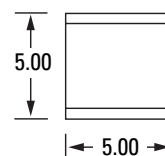
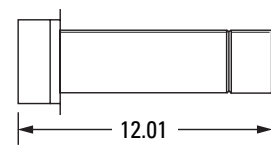
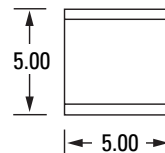
AQ3 Vent Kit Items



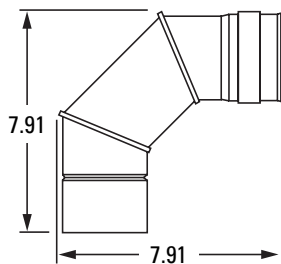
4ZVAL03
Adjustable Adapter 3"



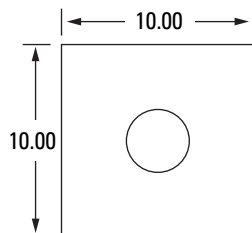
1TLXXX0310
Flex Pipe – Inlet Air
3" x 10'



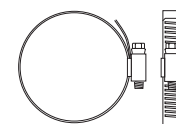
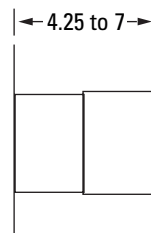
2SVSTB03
Exhaust/Intake Vent Hoods
w/10" Sleeve 3" (2)



2SVEEWC0390
90 Degree Elbow 3"



2SVSWTCEC03
Wall Thimble 3"



7HS44XX
Gear Clamps 3" (2)

Dimensions listed in inches

Note: Refer to *AquaStar 250SX Installation Manual* for complete exhaust venting & combustion air requirements.

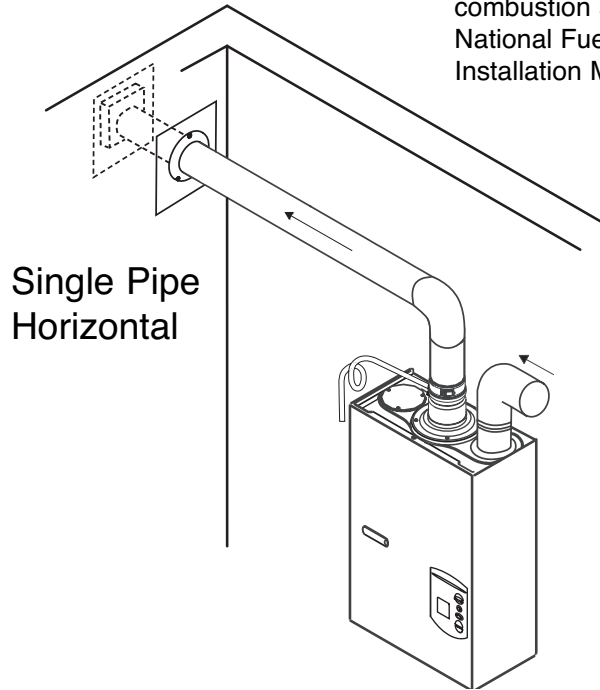
Unsealed; Single Pipe System

Exhaust Venting:

This heater requires Category III AL29-4C, 3" or 4" diameter stainless steel vent pipe (3" provided in Vent Kit).

Intake/Combustion Air:

Ambient (room) air can be used provided it meets the combustion air requirements as specified by the National Fuel Gas Code. See AquaStar 250SX Installation Manual for details.

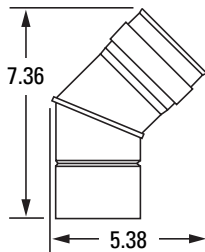


The exhaust vent pipe has a maximum length of 26 feet (8m) with one elbow. For each additional elbow after the first elbow, you must reduce 2.5 feet from the total length. A maximum of 3 elbows is allowed.

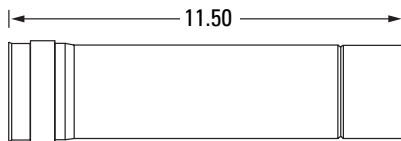
A condensate drain kit must be used in all installations.

A condensate drain kit is included with the AquaStar 250SX.

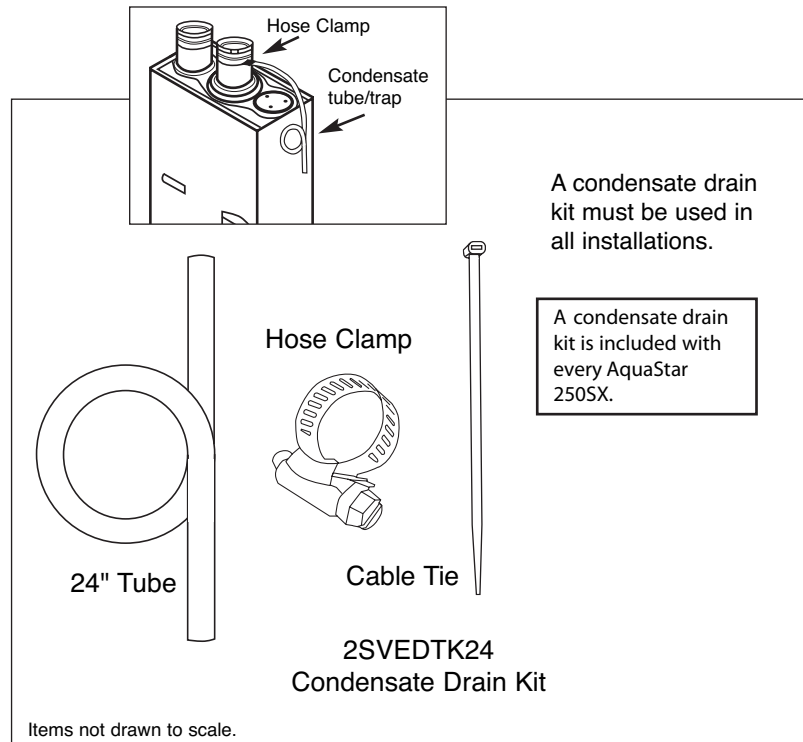
Additional Venting Items



2SVEEWC0345
45 Degree Elbow 3"



2SVEPWCF0301
Pipe 3" x 12"



A condensate drain kit must be used in all installations.

A condensate drain kit is included with every AquaStar 250SX.

Not all additional venting items shown. See back page for complete list.

Additional Venting Parts For Bosch AquaStar 250SX

These venting parts are available through Bosch Water Heating and Z-Flex retailers, Internet vendors, and distributors nationwide.

Part #	Description
2SVEPWCF03.5	Pipe 3" x 6"
2SVEPWCF0301	Pipe 3" x 12"
2SVEPWCF0301.5	Pipe 3" x 18"
2SVEPWCF0302	Pipe 3" x 2'
2SVEPWCF0303	Pipe 3" x 3'
2SVEPWCF0304	Pipe 3" x 4'
4ZVAL03	3" adjustable adapter
2SVEEWCF0345	3" x 45° elbow
2SVEEWCF0390	3" x 90° elbow
2SVSTB03	3" exhaust/intake vent hood w/10" sleeve
2SVSWTCEC03	3" wall thimble
2SVSRCF03	3" rain cap
2SVSLSF03	3" storm collar
2SVSADJSF03	3" steep roof flashing 7/12-12/12
2SVSADJF03	3" adjustable roof flashing 0/12-6/12
2SVSFSSF03	3" fire stop support
2SVEDTK24	Condensate drain kit
7HS44XX	3" gear clamp
1TLXXX0330	3" flex x 30' roll
1TLXXX0320	3" flex x 20' roll
1TLXXX0310	3" flex x 10' roll

Free Manuals Download Website

<http://myh66.com>

<http://usermanuals.us>

<http://www.somanuals.com>

<http://www.4manuals.cc>

<http://www.manual-lib.com>

<http://www.404manual.com>

<http://www.luxmanual.com>

<http://aubethermostatmanual.com>

Golf course search by state

<http://golfingnear.com>

Email search by domain

<http://emailbydomain.com>

Auto manuals search

<http://auto.somanuals.com>

TV manuals search

<http://tv.somanuals.com>