

TWO PORT MINI TOWER KVM SWITCH



USER MANUAL

CS-72M

Read this guide thoroughly and follow the installation and operation procedures carefully in order to prevent any damage to the unit and/or any devices that connect to it.

This package contains:

- 1 CS-72M Mini Tower KVM Switch
- 2 CS Custom KVM Cables
- 6 Mounting Pads / 2 Cable Keepers
- 1 User Manual
- 1 Quick Start Guide

If anything is damaged or missing, contact your dealer.

© Copyright 2003 ATEN® International Co., Ltd.
Manual Part No. PAPE-1224-100
Printed in Taiwan 08/2003

All brand names and trademarks are the registered property of their respective owners.

2003-08-01

Note: This equipment has been tested and found to comply with the limits for a Class B digital device, pursuant to Part 15 of the FCC Rules. These limits are designed to provide reasonable protection against harmful interference in a residential installation. This equipment generates, uses and can radiate radio frequency energy, and if not installed and used in accordance with the instruction manual, may cause interference to radio communications. However, there is no guarantee that interference will not occur in a particular installation. If this equipment does cause harmful interference to radio or television reception, which can be determined by turning the equipment off and on, the user is encouraged to try to correct the interference by one or more of the following measures:

- ◆ Reorient or relocate the receiving antenna;
- ◆ Increase the separation between the equipment and receiver;
- ◆ Connect the equipment into an outlet on a circuit different from that which the receiver is connected;
- ◆ Consult the dealer or an experienced radio/television technician for help.



2003-08-01

OVERVIEW

The CS-72M KVM (Keyboard, Video, Mouse), Switch is a control unit that allows the control of two computers from a single console (keyboard, monitor, and mouse). With its custom designed SCSI-20 CPU port connectors, the CS-72M significantly reduces the number of ports required for a 2 Port KVM switch.

The special connector design provides several advantages over standard KVM switch implementations: 1) increased reliability; 2) a handsome, space-saving, vertical-standing, modern appearance; and 3) neater, more efficient, cabling that eliminates the usual tangled cable mess.

Recognizing the increased importance of sound in the computing environment, the CS-72M provides USB multimedia keyboard support, and is audio enabled. A single microphone can provide audio input to each of the computers, and you can listen to the audio output of each computer on a single set of speakers (on a one-at-a-time basis).

There are two convenient methods to access the computers: push button port selection switches located on the unit's front panel; and *Hotkey* combinations entered from the keyboard.

Setup is fast and easy; simply plug cables into their appropriate ports. There is no software to configure; no need to get involved in complex installation routines; no need to be concerned with incompatibility problems. Since the CS-72M intercepts keyboard and mouse input directly, it works on multiple hardware platforms and with most operating systems.

There is no better way to save time and money than with a CS-72M installation. By allowing a single console to manage both computers, the CS-72M eliminates the expense of purchasing a separate keyboard, monitor, mouse, and audio components for each one. Additionally, it saves the extra space and energy costs that they would require, and eliminates the inconvenience and wasted effort involved in constantly having to move from one computer to the other.

FEATURES

- ◆ Compact vertical-standing design
- ◆ Custom SCSI-20 connector layout reduces the number of ports and makes for a streamlined installation
- ◆ Easy to install - no software required - connecting cables to the computers is all it takes
- ◆ Easy to operate - computer selection via selection switches or hotkeys
- ◆ Power on detection - automatically switches to the first powered on port - automatically switches to the next powered on port if the current one is shut down
- ◆ Auto Scan function to monitor computer operation
- ◆ LED display for easy status monitoring
- ◆ Hot pluggable - add or remove computers without powering down the switch
- ◆ Audio (speaker and microphone) enabled
- ◆ Caps Lock, Num Lock, and Scroll Lock states are saved and restored when switching
- ◆ Keyboard and Mouse Emulation for Error Free Computer Booting
- ◆ Supports Microsoft IntelliMouse and the Scrolling Wheel on Most Mice
- ◆ Superior Video Quality - Up To 2048 x 1536; DDC2B
- ◆ Saves Time, Space, Power, and Equipment Costs

SYSTEM REQUIREMENTS

CONSOLE

- ◆ A VGA, SVGA, or Multisync monitor capable of the highest resolution that you will be using on any computer in the installation.
- ◆ A PS/2 style keyboard.
- ◆ A PS/2 style mouse.

Note: The CS-72M only supports PS/2 style mice - it does not support serial mice.

COMPUTERS

The following equipment must be installed on each computer that is to be connected to the system:

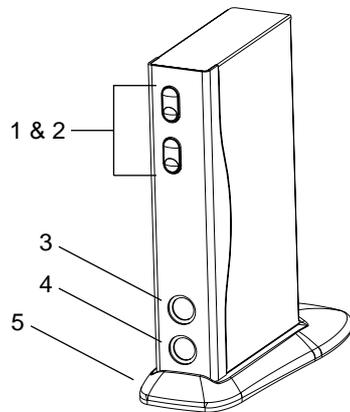
- ◆ A VGA, SVGA or Multisync port.
- ◆ A PS/2 Style mouse port.
- ◆ A PS/2 Style keyboard port.

CABLES

Only CS Custom KVM cable sets specifically designed to work with this switch may be used. Two 1.2 m KVM cable sets are provided with this package. If you need additional cables, contact your dealer.

COMPONENTS

FRONT VIEW:



1. Port Selection Switches

- ◆ Press a switch to give the KVM focus to the system attached to its corresponding port.
- ◆ Pressing Buttons 1 and 2 simultaneously for 3 seconds starts *Auto Scan Mode* (see p. 11). While in *Auto Scan Mode*, pressing either button exits *Auto Scan Mode* and switches the KVM focus to its corresponding port.

2. Port LEDs

The Port LEDs are built into the Port Selection Switches. A lit LED indicates that its corresponding Port is the one that has the KVM focus. Depending on the Port's status, the LED may flash according to a specific pattern (see the table on p. 12 for details).

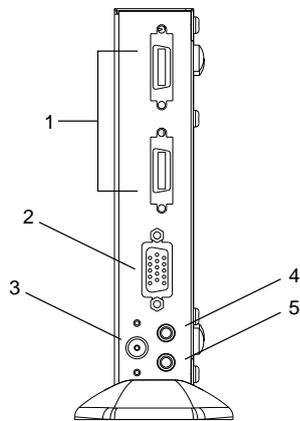
3. Keyboard Port

4. Mouse Port

5. Stand

The stand allows the CS-72M to stand upright on the desktop.

REAR VIEW:



1. CPU Port Connectors

The KVM cables that connect the unit to the keyboard, video, mouse, and audio ports on the computers you are connecting up can plug into any available port.

Note: Only cables designed to work with this switch can be used. See the *Cables* section on p. 3 for details.

2. Monitor Port

The video cable from your monitor plugs in here.

3. Power Jack

The power adapter cable plugs in here.

Note: The CS-72M does not require external power. Use of a power adapter is optional, and requires a separate purchase.

4. Microphone Jack

5. Speaker Jack

INSTALLATION

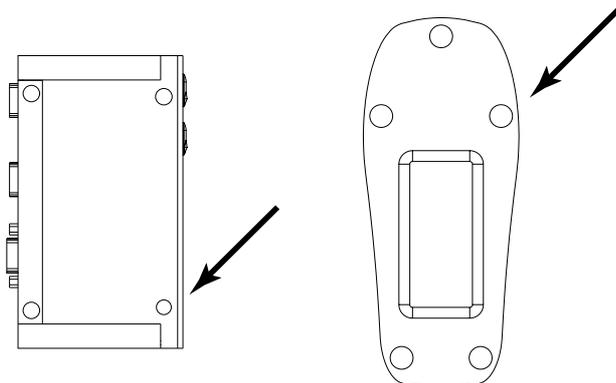


1. Make sure that power to all the devices you will be connecting up have been turned off. You must unplug the power cords of any computers that have the *Keyboard Power On* function. Otherwise, the switch will receive power from the computer.
2. To prevent damage to your installation due to ground potential difference, make sure that all devices on the installation are properly grounded.

PREPARATION

The CS-72M can either lay flat on the desktop or stand upright. To have it stand upright, place it in the mounting stand. Make sure that the long end of the stand is to the rear.

To keep the unit from sliding around or scratching the desktop, attach the silicone mounting pads that have been included with this package to the bottom panel of the switch, or the bottom of the mounting stand. The circular depressions show you where the pads should go.



CONNECTING UP

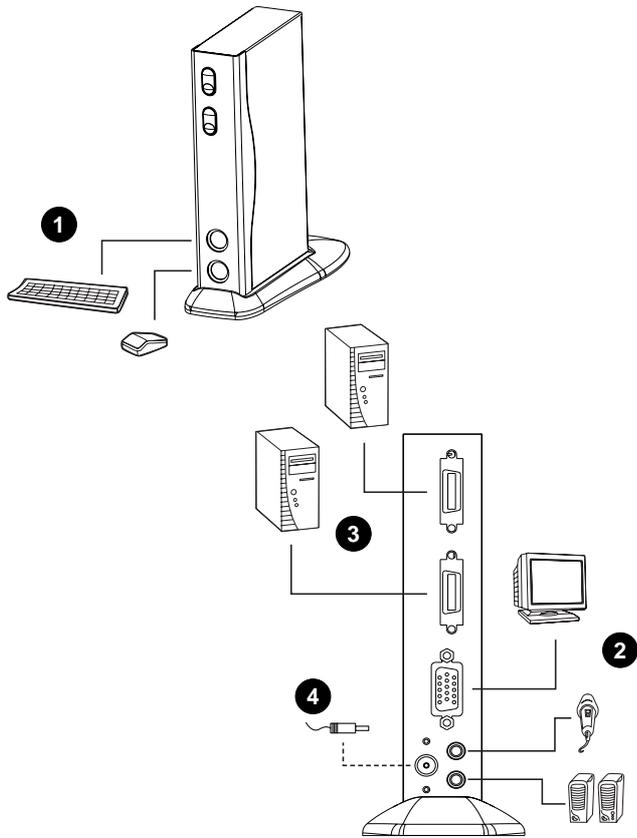
To connect up the unit, refer to the diagrams on pages 8 and 9 as you do the following:

1. Plug your keyboard and mouse into their respective connectors on the CS-72M's front panel.
2. Plug your monitor, microphone, and speakers into their respective connectors on the CS-72M's rear panel.
3. Use the custom KVM cables (described in the *Cables* section on p. 3), to connect the CS-72M CPU Ports to the monitor, keyboard and mouse ports of the computers you are installing.
4. For stability, use one of the Cable Keepers (provided with your purchase) to wrap around the KVM cable and stick it to the desktop.
5. If you choose to use external power, plug the power adapter into an AC power source, then plug the power adapter cable into the unit's Power Jack.

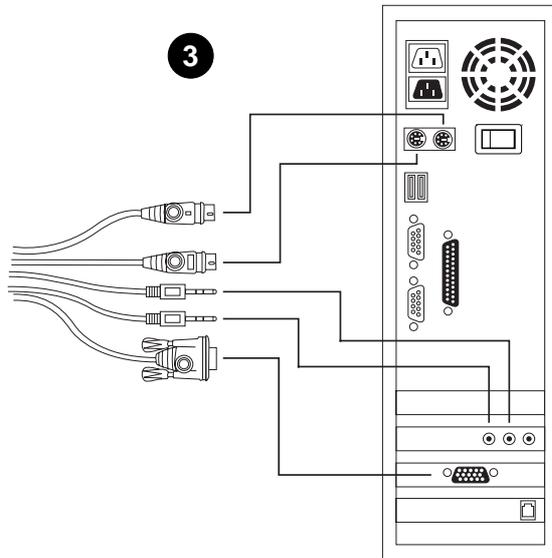
Note: The power adapter should be DC9V with the inside positive and the outside negative: 

6. Turn on the power to the computers.

Note: The CS-72M's default is to link to the first computer you turn on.



OPERATION



Controlling the computers in your CS-72M installation from a single console could not be easier. Two port selection methods that provide instant access to the computers are available:

- ◆ Manual Port Selection
- ◆ Hotkey Port Selection

MANUAL PORT SELECTION

With Manual Port Selection you simply press the appropriate Port Selection switch on the unit's front panel to give the KVM focus to its corresponding port. The Port LED lights to indicate that its port has the KVM focus.

HOTKEY PORT SELECTION

Hotkey selection allows you to toggle the KVM focus between the computers from the keyboard, instead of having to manually switch with the Port Selection buttons.

To hotkey toggle the ports:

1. Press and hold down the **Num Lock** key
2. Press and release the **asterisk** key or the **minus** key
3. Release the **Num Lock** key:

[Num Lock] + [*]

or:

[Num Lock] + [-]

Note: The asterisk or minus key must be released within one half second, otherwise the hotkey operation is canceled.

AUTO SCAN MODE

The CS-72M's Auto Scan feature automatically switches between the two ports at regular 5 seconds intervals so that you can monitor the computer activity without having to take the trouble of switching yourself. To invoke Auto Scan Mode hold down both Port Selection buttons for 3 seconds (see p. 4).

Once scanning begins, it continues until you exit Auto Scan Mode by pressing either Port Selection switch or the keyboard Spacebar.

If you exit by pressing a Port Selection switch, the KVM focus switches to its corresponding port. If you exit by pressing the Spacebar, the port that had the focus when the scanning stopped keeps the focus.

Note: While Auto Scan Mode is in effect, ordinary keyboard and mouse functions are suspended. You must exit Auto Scan Mode to regain normal control of their use.

SELECTED LED DISPLAY

Activity	Meaning
Off	Port is not selected.
On (Steady)	Port is connected to an active computer.
Flashing (On and Off equal)	Port is connected to an active computer and is being accessed in Auto Scan mode.

SPECIFICATIONS

Function	Specification	
CPU Ports	2	
Port Selection	Push Button Switches; Hotkeys	
Connectors	CPU	2 x SCSI-20 female
	Monitor	1 x HDB-15 male
	Audio	2 x Stereo earphone jacks
	Power	DC 9V jack
LEDs	2 Selected Port (Green)	
Emulation	Keyboard	PS/2
	Mouse	PS/2
Scan Interval	5 secs.	
Video Resolution	2048 x 1536; DDC2B	
Operating Temperature	0 - 50° C	
Storage Temperature	-20 - 60° C	
Humidity	0 - 80% RH, Noncondensing	
Housing	Metal	
Weight	0.42 Kg	
Dimensions (L x W x H)	13.9 x 81.4 x 28.6 cm	

TROUBLESHOOTING

Symptom	Cause	Action
Keyboard ¹ and/or Mouse ² Not Responding	Loose cables.	Check all cable connections to make sure they are completely seated in their sockets.
	Switch is in Auto Scan Mode.	Press either Port Selection switch or the Spacebar to exit Auto Scan Mode.
	Keyboard / Mouse needs to be reset.	Unplug the keyboard/mouse from the Console Keyboard Port, then plug it back in.
	Mouse set to Serial Mode.	Some mice can be set to act as either a PS/2 or serial mouse. Make sure the mouse is set to PS/2 mode.
	Incorrect Mouse Driver.	Check your Device Manager to be sure that the correct driver for your mouse (obtained from the manufacturer, or supplied by the operating system), has been installed. Because of the wide variety of mouse driver standards for the modern series of mice (the ones with the extra buttons and wheels), this unit only supports all of the extra features of the Microsoft Intellimouse. It supports the scroll wheel function of most other mice.
	Switch needs to be reset.	Turn off the computers; wait 5 seconds; turn the computers back on.
Video Problems	Loose cables.	Check all cable connections to make sure they are completely seated in their sockets.
	Resolution and/or Bandwidth set too high.	This unit supports VGA, SVGA, Multisync, and XGA (interlaced), with resolutions of up to 2048x1536.
	Cable quality not good enough.	We strongly recommend that you use the high quality cables provided with this package. Use of high quality cables should eliminate video problem.

Troubleshooting Notes:

1. The unit is designed to work with PS/2 keyboards. Older XT (84 key) and AT keyboards will not work.
2. Some Notebooks have trouble when their mouse and keyboard ports are used simultaneously. To avoid this, only connect the mouse port or the keyboard port. If you connect the mouse port, you will need to use the notebook's keyboard when the notebook becomes the active computer.

LIMITED WARRANTY

IN NO EVENT SHALL THE DIRECT VENDOR'S LIABILITY EXCEED THE PRICE PAID FOR THE PRODUCT FROM DIRECT, INDIRECT, SPECIAL, INCIDENTAL, OR CONSEQUENTIAL DAMAGES RESULTING FROM THE USE OF THE PRODUCT, DISK, OR ITS DOCUMENTATION.

The direct vendor makes no warranty or representation, expressed, implied, or statutory with respect to the contents or use of this documentation, and especially disclaims its quality, performance, merchantability, or fitness for any particular purpose.

The direct vendor also reserves the right to revise or update the device or documentation without obligation to notify any individual or entity of such revisions, or update. For further inquiries, please contact your direct vendor.

Free Manuals Download Website

<http://myh66.com>

<http://usermanuals.us>

<http://www.somanuals.com>

<http://www.4manuals.cc>

<http://www.manual-lib.com>

<http://www.404manual.com>

<http://www.luxmanual.com>

<http://aubethermostatmanual.com>

Golf course search by state

<http://golfingnear.com>

Email search by domain

<http://emailbydomain.com>

Auto manuals search

<http://auto.somanuals.com>

TV manuals search

<http://tv.somanuals.com>