



Commercial Audio Products

# 119L / 119LB / 119L-19

## DYNAMIC CARDIOID GOOSENECK MICROPHONE

### Description

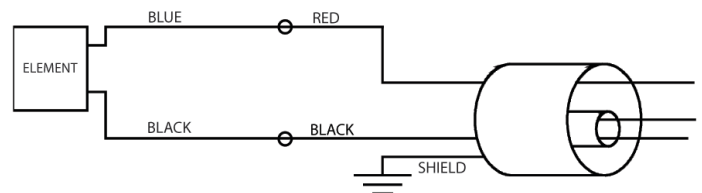
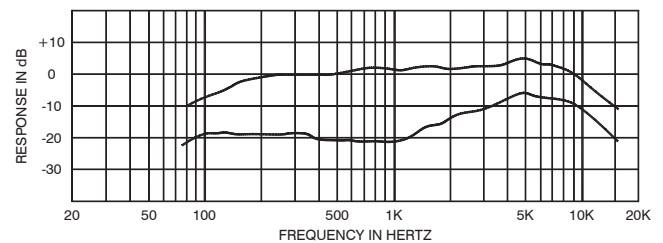
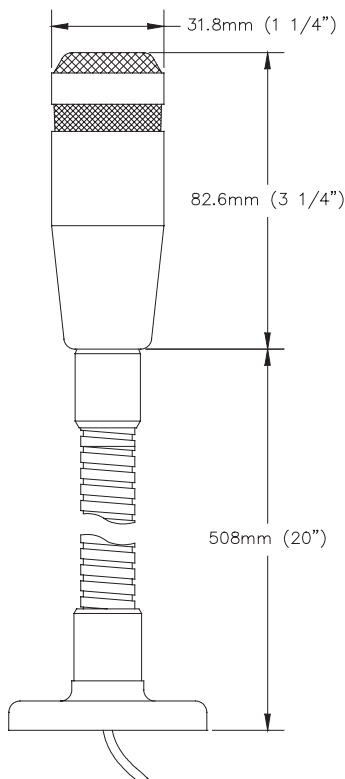
The **ASTATIC 119L Series** are dynamic cardioid microphones, designed especially for gooseneck mounting in quality sound reinforcement and communication installations. These microphones have a slightly rising high frequency response and a gentle low frequency roll-off, assuring excellent voice reproduction.

A superior cardioid directional pattern minimizes feedback, background noise, reverberation, offaxis coloration and placement problems. A new internal vibration isolation system, consisting of a special rubber mounting ring and a rubber stabilizing ring as a support for the generating element, reduces gooseneck, stand and handling noise. An effective multi-stage blast filter controls breath "pop" and wind disturbances. Available as a **119L** (chrome), **119LB** (black) and **119L-19** (as shown).

The **119L Series** has *low impedance* outputs. The **119L-19** is supplied with 1.7m (5.5ft), the **119L** and **119LB** with 2.1m (7ft) of rugged two conductor shielded cable. The **119 Series** microphones are extremely rugged and reliable and will stand up under the most strenuous handling conditions to provide years of dependable service.

### ASTATIC Quality

All **119** microphones are audio tested and inspected prior to shipment. Our absolute commitment to quality insures that **ASTATIC** microphones remain the **Best Value** in today's competitive industry.





## Specifications

### Generating Element:

Dynamic

### Polar Pattern:

Unidirectional (Cardioid)

### Frequency Response:

80 Hz - 15 KHz

### Output Level: @ 1000 Hz

Open Circuit Voltage:

-77 dB (0 dB=1 volt/microbar)

-60 dB (0 dB=1 mv/10 microbar)

1.4 mv/PA

### Front To Back Ratio:

20 dB

### Impedance:

Low, 500 ohms

### Cable:

Two conductor, overall shielded permanently attached, rugged, synthetic, jacketed cable.

119L, 119LB - 2.1m (7ft) / 119L-19 - 1.7m (5.5ft)

### Dimensions:

See Drawing

### Weight:

119L, 119LB - 227 grams (8oz)

119L-19 - 340 grams (12 oz.)

### Housing:

Die cast Zinc

### Finish:

119L - Plated satin chrome

119LB - Black

### Phasing

Positive Pressure (movement of diaphragm inward)

will generate a positive voltage on the red cable lead with respect to the black cable lead.

## Architects' and Engineers' Specification

The microphone shall be an ASTATIC 119L, 119LB or 119L-19. The microphone shall be a dynamic moving coil type with a diaphragm made of polyester. The frequency response shall be 80 Hz to 15 KHz. The microphone shall have a cardioid polar pattern.

The output level of the 119L Series (500 ohms) shall be -60 dB (0 dB = 1 mW/10 microbar); -77 dB (0 dB = 1 volt/microbar); 1.4 mV/Pa. The microphone will feature an internal shock mounted element to reduce gooseneck and handling noise. The microphone will be wired for balanced line operation. The microphone will have a zinc die cast and brass housing and be finished in satin chrome (119L), and black (119LB). The 119L-19 microphone will be fitted with a 508mm (20") chrome flexible gooseneck and mounting flange. The 119L and 119LB shall have a permanently attached 2.1 M (7ft) two conductor overall shielded synthetic jacketed cable. The 119L-19 shall have a permanently attached 1.7M (5 1/2') two conductor overall shielded synthetic jacketed cable.

The overall dimensions shall be 31.8mm (1 1/4") in diameter; 103.2mm (4 1/16") long and for the 119L-19 plus 508mm (20") for the gooseneck and flange. The weight shall be 340 grams (12 oz.) including gooseneck for the 119L-19 and 227 grams (8 oz.) for the 119L and 119LB.

The ASTATIC Model 119L, 119LB or 119L-19 is specified.

## TWO-YEAR LIMITED WARRANTY

Omnitronics, LLC ("ASTATIC") hereby warrants that this product will be free of defects in material and workmanship for a period of two years from the date of purchase. In the unlikely event a defect occurs ASTATIC will, at its option, either repair or replace with a new unit of equal or greater value. You should retain proof of purchase to validate the purchase date and return it with any warranty claim. **Contact Customer Service for a pre-approved Return Authorization Number** and return warranty claims carefully packed, insured and prepaid to the Service Department at the address listed below.

This warranty excludes exterior finish or appearance, damage from abuse, misuse of the product, use contrary to ASTATIC's instructions or unauthorized repair. All implied warranties or merchantability or fitness for a particular purpose are hereby disclaimed and ASTATIC hereby disclaims liability for incidental, special or consequential damages resulting from the use or unavailability of this product.

This warranty gives you specific legal rights and you may also have other rights which vary from state to state. Some states do not allow the exclusion or limitation of incidental or consequential damages or limitations on how long an implied warranty lasts, so the above exclusions and limitations may not apply to you.

Note: No other warranty, written or oral is authorized by Omnitronics, LLC.

## Free Manuals Download Website

<http://myh66.com>

<http://usermanuals.us>

<http://www.somanuals.com>

<http://www.4manuals.cc>

<http://www.manual-lib.com>

<http://www.404manual.com>

<http://www.luxmanual.com>

<http://aubethermostatmanual.com>

Golf course search by state

<http://golfingnear.com>

Email search by domain

<http://emailbydomain.com>

Auto manuals search

<http://auto.somanuals.com>

TV manuals search

<http://tv.somanuals.com>