



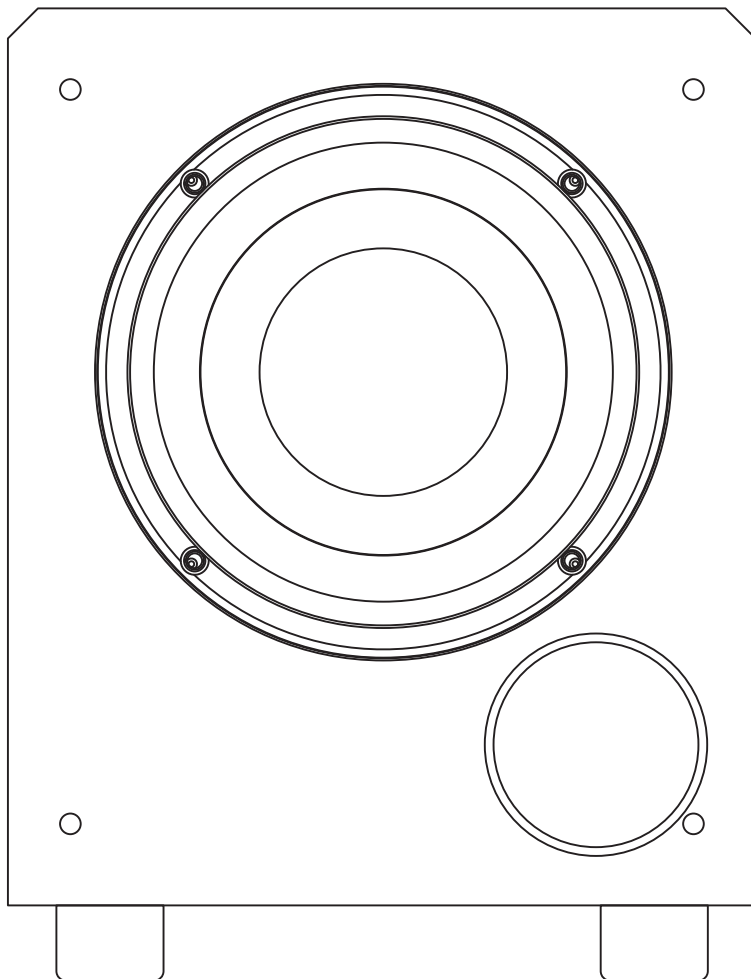
Atlantic

TECHNOLOGY

Instruction Manual

SB-900

High Performance Powered Subwoofer

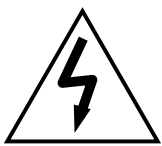


Safety Precautions



CAUTION: To reduce the risk of electric shock, do not remove the cover (or back). No user serviceable parts inside. Refer to qualified personnel.

WARNING: To reduce the risk of fire or electric shock, do not expose this appliance to rain or moisture. This device generates a fair amount of heat. Make sure nothing blocks the ventilation to the rear panel of the unit.



The lightning flash with arrowhead, within an equilateral triangle, is intended to alert the user to the presence of uninsulated “dangerous voltage” within the product’s enclosure that may be of sufficient magnitude to constitute a risk of electrical shock to persons.



The exclamation point within an equilateral triangle is intended to alert the user to the presence of important operating maintenance (servicing) instructions in the literature accompanying the appliance.

For Future Reference

Record your serial numbers and date of purchase here:

Model Number _____

Serial Number _____

Date of Purchase _____

The serial number is found on the back panel.

Model SB-900 Specifications

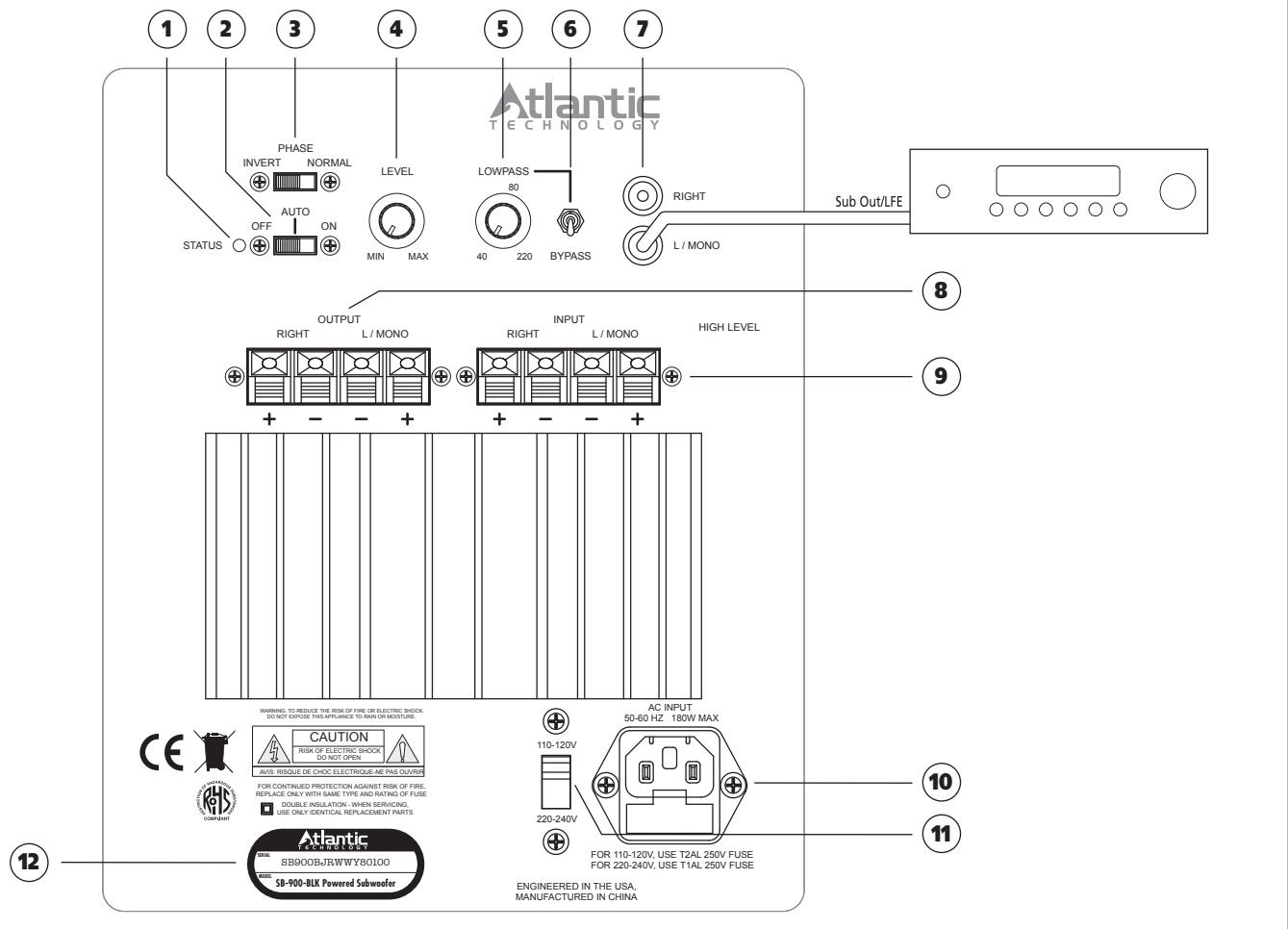
Bass Driver	8" long-throw
Output Power	125W RMS
Distortion (amplifier)	<0.5%
Frequency Response	32Hz – 200Hz ±3 dB
Peak Output	103dB SPL into 2000 cubic Feet
Dimensions (WxHxD)	11 x 13 x 13.125 in; 275 x 330 x 333mm add 1.75" (45mm) H for feet add 1.5" (38mm) D for knobs & grille
Weight	28lbs/12.7kg
Power Requirements	110-120/220-240V, 50/60Hz, 250W Max

Copyright © 2010 Atlantic Technology International.

Specifications are those in effect at the time of printing. Atlantic Technology reserves the right to change specifications or designs at any time without notice.

SB-900 Subwoofer Rear Panel

Figure 1



1 Status LED

This will be green for "on" condition, red for "standby"

2 Standby Switch

When in ON position, the amplifier will always be on. When in the AUTO position, the amplifier will be in Automatic Standby Mode.

3 Phase Switch

This switch allows precise acoustic matching with satellite speaker systems whose output may be phase reversed. Try in both the highest and lowest positions — use the position that results in the strongest bass output.

4 Bass Level Control

Use this control to set the level of bass desired

5 Low-Pass Control

An adjustable (55Hz to 200Hz) @ 18dB per octave low-pass crossover.

6 Low-Pass Switch

When in the LOW-PASS position, adjustment of the crossover can be made by the Crossover Control. If being fed a pre-filtered or THX signal, place the switch at the BYPASS position.

7 Low Level Input

Use the input to connect to the subwoofer or LFE line out from your processor/receiver.

8 High Level Output

Connect main Left/Right speakers here when using the High Level Input.

9 High Level Input

If your electronics do not have a line-level sub out, connect the Left-Right speaker terminals of your electronics to these connections. Set the SB-900's crossover to "Lowpass," and adjust accordingly.

10 AC Input

Use the included power cord to connect your amplifier to a wall outlet.

11 Voltage Select Switch

Voltage switch for use in different countries. This switch will be set when you receive the unit. Change this setting only when you are sure your application requires it. For US, the switch should be set to the 115V position.

12 Product Serial Number

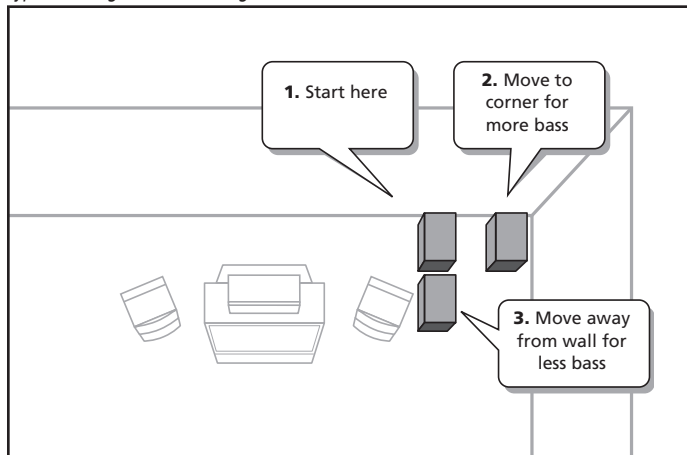
Write this number in the space provided on page 2 for future reference.

Placement and Operation

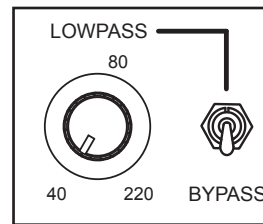
Generally speaking, the best location for your new subwoofer is the front of the room, close to a corner (Figure 5). Every room has its own unique sound characteristics, and flexibility in the exact placement of the subwoofer is always desirable. The closer the subwoofer is placed to a wall and especially a corner, the more and deeper the bass response you will hear. However, in some rooms, corner placement can produce a “one note” boomy effect. Under such circumstances the subwoofer may work better away from the corner. Experiment to find the best position in your room.

Figure 5

Typical arrangement for a single subwoofer in a home theater.



Using the Subwoofer Low-Pass Control



NOTE: Set this control to "Bypass" if you are using a receiver that has its own subwoofer crossover. Set this control to "LOW-PASS" if your electronics do not have a bass management function. The goal is to optimize the performance of the system by ensuring that the subwoofer and satellites produce a cohesive and well integrated sound “picture.”

Most surround sound receivers and processors offer a choice of crossovers, typically between 60 Hz and 150 Hz. We recommend using a setting between 120Hz and 150Hz when using small speakers such as those in a soundbar. Consult your electronics owner's manual for more details.

It's generally undesirable to have the main speakers and the subwoofer overlap too much. Larger speakers means a lower Low-pass crossover frequency, smaller speakers means a higher Low-pass crossover frequency. Consult the manufacturer's specified low frequency response for your main speakers to determine the appropriate Low-pass setting on your subwoofer. In the end, however, a little time spent experimenting will generally result in dramatically better bass response.

Care of Your Subwoofer

Your subwoofer is constructed from Medium Density Fiberboard. MDF is a non-resonant material ideal for speaker system enclosures. To clean the cabinet you may use a soft cloth either dry or slightly dampened with clean water. Be careful not to wet the cabinet or allow any water to enter the cabinet seams. Avoid placing your speakers in direct sunlight or near a source of heat that may, over time, damage the finish.

Subwoofer Troubleshooting Guide

Once your subwoofer is set up, you should have many years of maintenance free enjoyment from your system. However, if you should encounter a problem, refer to the following guide to help you find the solution. If a problem persists, you should contact your local authorized Atlantic Technology dealer.

Problem	Possible Cause	Possible Solution
No bass output	AC power cord unplugged or plugged into a non-working outlet.	Plug into a working outlet.
	Input cables not securely connected or defective.	Check all connections, then try another input cable.
Audible buzz or hum	Input cable not securely connected or defective.	Check all connections, then try another input cable.
	Ground loop through antenna or cable TV system input.	Test by disconnecting antenna and/or cable system input leads. If hum goes away, install isolation balun(s) at that point.

Free Manuals Download Website

<http://myh66.com>

<http://usermanuals.us>

<http://www.somanuals.com>

<http://www.4manuals.cc>

<http://www.manual-lib.com>

<http://www.404manual.com>

<http://www.luxmanual.com>

<http://aubethermostatmanual.com>

Golf course search by state

<http://golfingnear.com>

Email search by domain

<http://emailbydomain.com>

Auto manuals search

<http://auto.somanuals.com>

TV manuals search

<http://tv.somanuals.com>