



GENERAL DESCRIPTION

Installation Instructions for Atlas Sound APF-15T horn used with:

- L20-101 Square Baffle
- L20-100 Round Baffle
- VP161-APF Vandal Resistant Grille

Step 1. Unpack components & identify APF-15T, gasket and (4) 8/32 hex nuts (shipped with baffle)

Step 2. Assemble APF-15T horn to baffle as shown in exploded drawings

Step 3. Terminate loudspeaker line to APF-15T terminal block

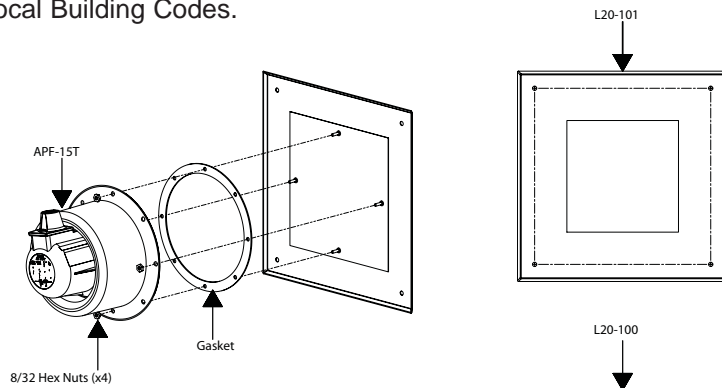
Step 4. Select desired transformer tap via selector switch on APF-15T

Step 5. Mount assembly into Atlas Sound UL listed enclosure model L20-201 (round, recessed enclosure) or L20-213 (square surface mount enclosure).

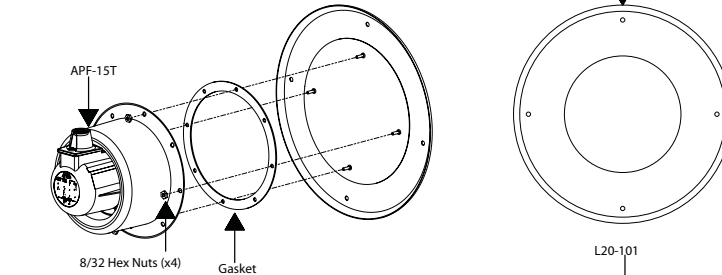
NOTE:

Installation must comply with all Building Codes and NFPA guidelines. Installation must adhere to N.E.C. and NFPA 70/72 wiring directives and comply with all National and Local Building Codes.

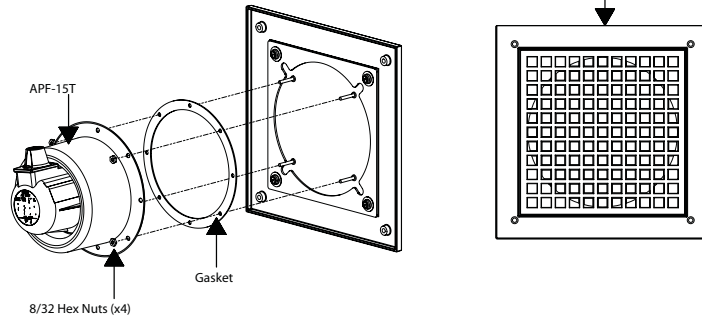
L20-101 Square Baffle



L20-100 Round Baffle



VP161-APF Vandal Resistant Grille



Specifications are subject to change without notice



www.AtlasSound.com

1601 JACK MCKAY BOULEVARD ENNIS, TEXAS U.S.A. • TELEPHONE: (800) 876-3332 • FAX: (800) 765-3435

© 2005 ATLAS SOUND LP

Printed in U.S.A.

000105

ATS001943 RevA 01/05

PN 490249

Free Manuals Download Website

<http://myh66.com>

<http://usermanuals.us>

<http://www.somanuals.com>

<http://www.4manuals.cc>

<http://www.manual-lib.com>

<http://www.404manual.com>

<http://www.luxmanual.com>

<http://aubethermostatmanual.com>

Golf course search by state

<http://golfingnear.com>

Email search by domain

<http://emailbydomain.com>

Auto manuals search

<http://auto.somanuals.com>

TV manuals search

<http://tv.somanuals.com>