

Astoria Bay[™]
LARGE PELLET INSERT

AVALON[™] 



*Awarded as one of the top
pellet appliances*

Named for the historic bay where Lewis and Clark wintered on the Pacific, the Astoria Bay[™] large pellet insert is the ultimate culmination of design and function. Easy to start, easy to operate and easy to maintain.

The Astoria Bay is designed to turn your inefficient open fireplace into a power house home heater (45,100 BTU/Hour). Adjust the feed rate to low and with the maximum fuel load (82 lbs.), you can expect up to 52 hours of continuous heating. Use the provided wall thermostat and stretch the burn time even longer. The computerized control panel allows you to operate the Astoria Bay manually or change to a fully automatic mode with the push of a button.

The EPA certified Astoria Bay is extremely clean to burn producing just 0.7 grams of emission per hour.

Easy to understand controls and tool-free cleaning makes the Astoria Bay the easiest pellet insert to operate and maintain, and is backed by Avalon's Seven Year Warranty



The Astoria Bay comes standard with black door, black convection grill and cast brick fireback. Further enhance your decor by upgrading with 24 karat gold or brushed nickel door and grills and ceramic log set options.

Options

- 24 karat gold plated door and grill
- Brushed nickel plated door and grill
- Remote control thermostat
- Large ceramic log

Astoria Bay™

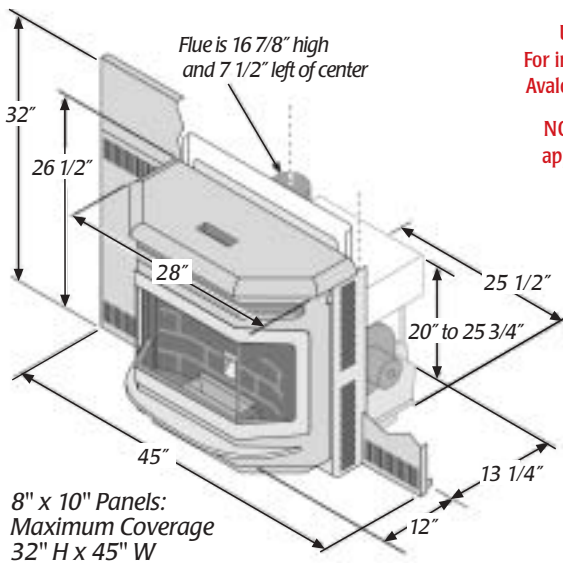
LARGE PELLETT INSERT

- 1. Easy Fuel Loading.** Insert top lifts up and locks open to allow easy access for pellet loading.
- 2. Adjustable Hopper.** Hopper is adjustable to accommodate fireplace height. The higher the fireplace, the larger the hopper pellet capacity.
- 3. Heavy-Duty Auger.** Precision auger feeds pellet fuel to the firepot on the automatic or manual feed rate settings.
- 4. Two-Stage Heat Exchanger.** Combination of 10 heat exchange tubes and rear heat exchange plenum gains maximum heat transfer from the insert to your home.
- 5. Air Tube Scraper.** Concealed under the loading door, this easy-to-use, pull rod removes ash from the air exchange tubes with no mess or special tools.
- 6. Super-Quiet Combustion Blower.** Variable speed control allows you to turn the blower down in conjunction with the feed rate.
- 7. Low Profile.** Designed to fit into fireplaces only 20" tall.
- 8. 4" Pellet Vent.** Exhaust uses convenient low cost pellet vent.
- 9. Auger Motor.** A heavy-duty gear motor with metal gears, low r.p.m. and high torque, ensures long life and reliability.
- 10. Exhaust Vent Designed Into Hopper Corner.** Vertical vent is designed to be hooked up without requiring additional space in the rear of the
- 11. Variable Speed Convection Blower.** This quiet blower draws cool room air around the firebox and two-stage heat exchanger to deliver heated air to your home.
- 12. Standard Ignitor.** Reliable ignition system to make firestarting easy as the flip of a switch, or automatic with the wall thermostat.
- 13. Ash Dump.** No tools required, the ash drop makes ash clean-up in the firebox a simple, mess free operation.
- 14. Convenient Ash Pan.** Designed for ease of removal and disposal.
- 15. State-of-the-Art Circuit Board Operation.** Operate your pellet insert manually or automatically with the use of a wall thermostat for the ultimate in hands free operation.
- 16. Wall Thermostat.** Standard with unit.
- 17. Seven Year Warranty.** Lifetime on stainless steel burn pot

Hopper Capacity Adjustable Min 48 lbs Max. 89 lbs.	Heating Capacity* 800 to 2,250 Sq. Ft.	Burn Times Depending on Hopper Capacity On Low -28 -52 Hours On High -8-16 Hours	Efficiency Up To 82%	BTU Range Low - 13,940 High - 45,100	Burn Feed Rate Per Hour 1.7 lbs. on Low 5.5 lbs. on High	Glass Viewing Area 321 Sq. In.
---	---	---	----------------------------	--	---	-----------------------------------

*Heating capacity may vary depending on degree of home insulation, floor plan and ambient temperature zone of the area in which you live. Contact your local building or fire officials about installation requirements in your area.

Pellet Insert Dimensions

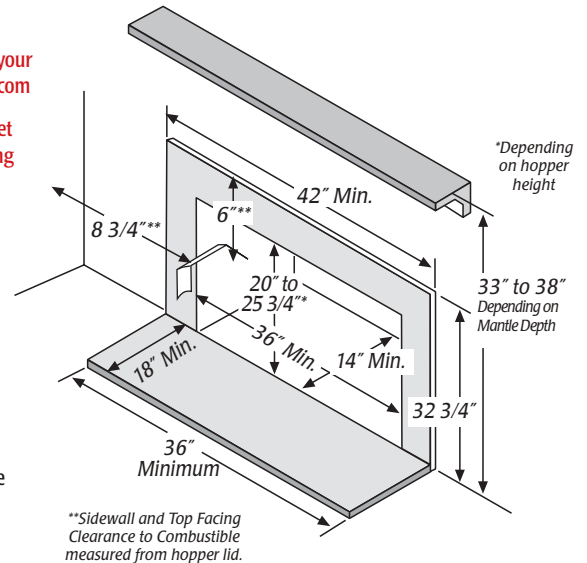


Use these illustrations as a guide only. For installation instructions please contact your Avalon Dealer or go to www.avalonstoves.com

NOTE: Improper installation of your pellet appliance or failure to operate it according to the guidelines detailed in the Owner's Manual may negate your warranty and endanger your home and family.

Tested by OMNI-Test Laboratories, Inc to ASTM E 1509-95. This pellet fired appliance has been tested and listed for use in manufactured homes in accordance with Oregon Administrative Rules 814-23-900 through 814-23-909.

Minimum Fireplace & Clearances



**Sidewall and Top Facing Clearance to Combustible measured from hopper lid.



www.avalonstoves.com

Your Authorized Avalon Dealer Is:

Free Manuals Download Website

<http://myh66.com>

<http://usermanuals.us>

<http://www.somanuals.com>

<http://www.4manuals.cc>

<http://www.manual-lib.com>

<http://www.404manual.com>

<http://www.luxmanual.com>

<http://aubethermostatmanual.com>

Golf course search by state

<http://golfingnear.com>

Email search by domain

<http://emailbydomain.com>

Auto manuals search

<http://auto.somanuals.com>

TV manuals search

<http://tv.somanuals.com>