

AXIS 212PTZ/212PTZ-V Network Cameras

Full overview and instant zoom - without moving parts.



- > Full overview
- > Instant Pan/Tilt/Zoom
- > 3x zoom
- > No moving parts
- > Vandal-resistant

AXIS 212 PTZ/212 PTZ-V are no ordinary PTZ cameras. They are the only PTZ network cameras that provide full overview, and instant, one-click pan/tilt/zoom - with maintained sharp image resolution. And it's all done without moving parts, so there's no wear and tear. In short, it's a whole new definition of PTZ.

A full 140° field of view provides video of the entire monitored area. Conventional PTZ cameras can view only one part of the whole video scene at a time.

Zooming in from full overview to close-up is instant, in one-step clicks. There's no delayed reaction. Pan and tilt functions work in the same way.

Many cameras cannot deliver an overview with sharp resolution, nor maintain resolution when zooming. AXIS 212 PTZ network cameras, with their 3x zoom, maintain sharp images at all times.

AXIS 212 PTZ network cameras are unique in using a wide-angle lens and a 3 megapixel sensor to achieve PTZ functionality. No moving parts are needed, which means no wear and tear.

AXIS 212 PTZ-V has a vandal-resistant casing that provides effective protection against tampering as no part can be forcibly moved.

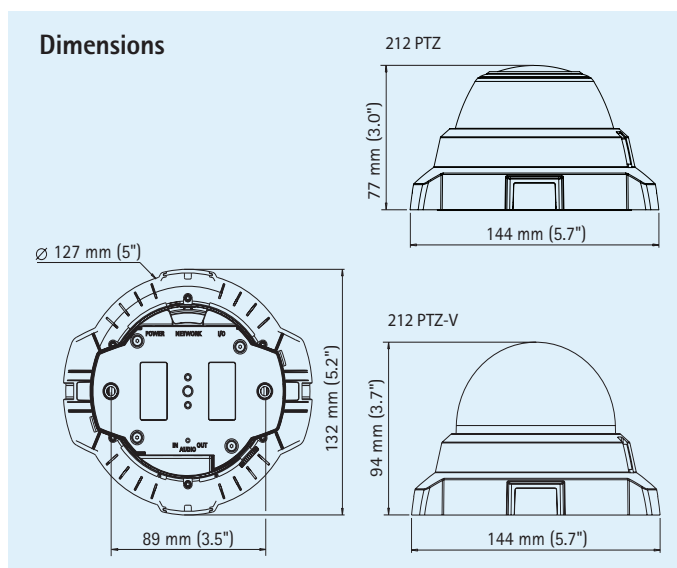
AXIS 212 PTZ/212 PTZ-V are easy to install with built-in Power over Ethernet and an angled wall mount.



Technical specifications – AXIS 212PTZ/212PTZ-V Network Cameras

Camera		Network	
Models	AXIS 212 PTZ: Tamper-resistant casing AXIS 212 PTZ-V: Vandal-resistant casing	Security	Password protection, IP address filtering, HTTPS encryption, IEEE 802.1X network access control
Image sensor	1/2" progressive scan CMOS 3.1 Megapixel	Supported protocols	IPv4/v6, HTTP, HTTPS, QoS Layer 3 DiffServ, FTP, SMTP, Bonjour, UPnP, SNMPv1/v2c/v3 (MIB-II), DNS, DynDNS, NTP, RTSP, RTP, TCP, UDP, IGMP, RTCP, ICMP, DHCP, ARP, SOCKS
Lens	F1.8, fixed iris, focal length: 2.7 mm Angle of view, horizontal: 44° – 140° vertical: 35° – 105°	System integration	
Minimum illumination	10 lux wide mode, 20 lux tele mode	Application Programming Interface	Open API for software integration, including VAPIX® from Axis Communications available at www.axis.com
Shutter time	1/10000 s to 1/5 s	Intelligent video	Video motion detection, audio detection
Pan/Tilt/Zoom	3x zoom, 0.1 s from wide to tele 20 preset positions ± 70° pan ± 52° tilt Max speed 400°/s Guard Tour Designed for continuous movement	Alarm triggers	Intelligent video and external input
Video		Alarm events	File upload via FTP, HTTP and email Notification via email, HTTP and TCP External output activation
Video compression	MPEG-4 Part 2 (ISO/IEC 14496-2) Motion JPEG	Video buffer	9 MB pre- and post alarm
Resolutions	160x90 to 640x480	General	
Frame rate MPEG-4	Up to 30 fps in VGA at max. zoom	Casing	AXIS 212 PTZ-V: 1000 kg (2200 lb) impact-resistant casing
Frame rate Motion JPEG	Up to 30 fps in VGA at max. zoom	Processors and memory	ARTPEC-A, 32MB RAM, 8MB Flash
Video streaming	Simultaneous MPEG-4 and Motion JPEG Controllable frame rate and bandwidth VBR/CBR MPEG-4	Power	4.9 – 5.1 V DC max 3.6 W Power over Ethernet IEEE 802.3af Class 1
Image settings	Compression, color, brightness, sharpness, white balance, exposure control, fine tuning of behavior at low light Text and image overlay	Connectors	RJ-45 Ethernet 10BaseT/100BaseTX PoE, DC jack Terminal block for 1 alarm input and 1 output 3.5 mm mic/line in, 3.5 mm line out
Audio		Operating conditions	5 – 40 °C (41 – 104 °F) Humidity 20 – 80% RH (non-condensing)
Audio streaming	Two-way, half-duplex	Approvals	EN 55022 Class B, EN 55024, EN 61000-3-2, EN 61000-3-3, FCC Part 15 Subpart B Class BVCCI Class B, ICES-003 Class B, C-tick AS/NZS CISPR 22, EN 60950 Power supply: UL, CSA
Audio compression	AAC LC 8 kHz 32 kbit/s G.711 PCM 64 kbit/s G.726 ADPCM 32 or 24 kbit/s	Weight	AXIS 212 PTZ: 504 g (1.1 lb.) AXIS 212 PTZ-V: 660 g (1.5 lb.)
Audio input/output	Built-in microphone, external microphone input or line input, line level output	Included accessories	Power supply, mounting and connector kits, angled wall mount, Installation Guide, CD with installation tools, recording software and User's Manual, Windows decoder 1-user license

More information is available at www.axis.com

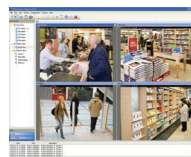


Optional accessories

AXIS 295
Video Surveillance Joystick



Vertical tilt adaptor



For information on AXIS Camera Station and video management software from Axis' Application Development Partners, see www.axis.com/products/video/software/

Free Manuals Download Website

<http://myh66.com>

<http://usermanuals.us>

<http://www.somanuals.com>

<http://www.4manuals.cc>

<http://www.manual-lib.com>

<http://www.404manual.com>

<http://www.luxmanual.com>

<http://aubethermostatmanual.com>

Golf course search by state

<http://golfingnear.com>

Email search by domain

<http://emailbydomain.com>

Auto manuals search

<http://auto.somanuals.com>

TV manuals search

<http://tv.somanuals.com>